

IARP

- [EN]** Refrigeration
- [DE]** Kühlgeräte
- [ES]** Refrigeración
- [FR]** Réfrigération
- [IT]** Refrigerazione
- [PL]** Chłodnictwo
- [RU]** Холодильная техника

✉ gastroparts@gastroparts.com

☎ +48 56 657 00 66

📘 fb.com/gastroparts.global

GASTROPARTS.COM





heating elements

heating elements for refrigeration

heating elements for defrosting



Part No.	417669	Ref. No.	0205376
description	heating element 233W 230V L 195mm W 122mm connection male faston 6.3mm cable length 1000mm tube ø 8.5mm defrosting		

heating cables

connection on both sides (metal braided)



Part No.	417516	Ref. No.	0231005
description	heating cable 40.6W 230V ø 2.6mm L 4600mm 10W/m		

thermostats

refrigeration thermostats

DANFOSS

control thermostats



Part No.	390774	Ref. No.	0225093 0225178
description	thermostat type 077B3317L capillary pipe 2000mm temperature range -13.6 up to -30.0°C probe ø 2mm		

RANCO

K22 series



Part No.	391000	Ref. No.	0225095 3305084 I3305084
description	thermostat RANCO type K22-L1067 probe ø 2mm probe L 7mm capillary pipe 1500mm T war 10.5°C T cold -32°C shaft L 11mm shaft 6x4mm		



Part No.	391003	Ref. No.	0225008
description	thermostat RANCO type K22-L1067 probe ø 2mm probe Lmm capillary pipe 1500mm T war -10°C T cold -34°C		



Part No.	390775	Ref. No.	0225105
description	thermostat RANCO type K22-L2088 probe ø 2mm capillary pipe 2500mm temperature range -10 up to -20°C		



Part No.	391007	Ref. No.	3304241
description	thermostat RANCO type K22-L8103 probe ø 2mm probe L 48mm capillary pipe 1500mm T war 10°C T cold -5°C for fridge		



K50 series



1

Part No.	391008	Ref. No.	3304724
description	thermostat RANCO type K50B-S3492 probe ø 2mm probe Lmm capillary pipe 2500mm T war -19°C T cold -26°C ice maker		



1

Part No.	390990	Ref. No.	I0225186
description	thermostat RANCO type K50B-S3528 capillary pipe 800mm		




1

Part No.	390760	Ref. No.	3301323
description	thermostat RANCO type K50-L3210 probe ø 2mm probe Lmm capillary pipe 2500mm temperature range -30 up to -23°C refrigeration		

accessories for 390760

Part No.	112654	Ref. No.	3301324
-----------------	--------	-----------------	---------

 knob ø 22.5mm shaft ø 6x4mm blue for thermostat



1

Part No.	391004	Ref. No.	3300683
description	thermostat RANCO type K50-L3313 probe ø 2mm probe Lmm capillary pipe 1500mm for display refrigerator		



1

Part No.	391002	Ref. No.	0225088 3306115 I3306115
-----------------	--------	-----------------	--------------------------------

description thermostat RANCO type K50-L3319 probe ø 2mm probe L 7mm capillary pipe 1000mm temperature range -4,5 up to +7,5°C shaft L 11mm shaft 6x4mm



1

Part No.	390757	Ref. No.	0225090
-----------------	--------	-----------------	---------

description thermostat RANCO type K50-L3337 probe ø 2mm probe Lmm capillary pipe 1500mm refrigeration



1

Part No.	391005	Ref. No.	3303610
-----------------	--------	-----------------	---------

description thermostat RANCO type K50-L3425 probe ø 2mm probe Lmm capillary pipe 1000mm T war -10°C T cold -30°C for display refrigerator



1

Part No.	391006	Ref. No.	0225081 0225185
-----------------	--------	-----------------	--------------------

description thermostat RANCO type K50-L7201 probe ø 2mm probe L 36mm capillary pipe 900mm for fridge



K57 series

RANCO



Part No.	390665	Ref. No.	3302297 3304195
description	thermostat RANCO type K57-L2852 probe ø 10mm probe L 40mm capillary pipe 1200mm		

push/momentary push switches

27.2x22.2mm



Part No.	348112	Ref. No.	3301934
description	push switch mounting measurements 27.2x22.2mm 2NO 250V 16A without cap connection male faston 6.3mm ambient temperature max. 55°C		

ø25mm



Part No.	348109	Ref. No.	0202088 3300972
description	push switch mounting ø 25mm white 2NO 250V 16A light connection male faston 6.3mm ambient temperature max. 55°C		



Part No.	347536	Ref. No.	0202007
description	push switch mounting ø 25mm white 2NO 250V 16A connection male faston 6.3mm ambient temperature max. 125°C protection IP40		



Part No.	346003	Ref. No.	0202084
description	momentary push switch mounting ø 25mm red 1NO/indicator light 250V 16A illuminated connection male faston 6.3mm ambient temperature max. 85°C protection IP65		



Part No.	345161 ¹	Ref. No.	3303454
description	push switch mounting ø 25mm green 2NO 250V 16A illuminated connection male faston 6.3mm ambient temperature max. 85°C protection IP40		

¹illuminated



Part No.	345151 ¹	Ref. No.	0202000
description	push switch mounting ø 25mm orange 2NO 250V 16A illuminated connection male faston 6.3mm ambient temperature max. 85°C protection IP40		

¹illuminated

switches and momentary switches

rocker/momentary rocker switches

30x22mm



Part No.	301003	Ref. No.	0202083	
description	rocker switch mounting measurements 30x22mm green 2NO 250V 16A illuminated 0-I connection male faston 6.3mm ambient temperature max. 125/55°C protection IP65			
accessories for	301003			
	Part No.	301036	Ref. No.	—
	protective cover internal size 30x22mm for rocker switch mounting measurementsmm			




Part No.	301002	Ref. No.	3305916 I3305916	
description	rocker switch mounting measurements 30x22mm orange 2NO 250V 16A illuminated 0-I connection male faston 6.3mm ambient temperature max. 85/125°C protection IP65			
accessories for	301002			
	Part No.	301036	Ref. No.	—
	protective cover internal size 30x22mm for rocker switch mounting measurementsmm			



Part No.	301009	Ref. No.	0202008 0202030	
description	rocker switch mounting measurements 30x22mm white 2NO 250V 16A illuminated 0-I connection male faston 6.3mm ambient temperature max. 125/55°C protection IP65			
For models:	GAYA20-TOP-DOOR			
accessories for	301009			
	Part No.	301036	Ref. No.	—
	protective cover internal size 30x22mm for rocker switch mounting measurementsmm			





			
1			
Part No.	347537	Ref. No.	0202087
description	push switch mounting ø 25mm green 2NO 250V 16A illuminated main switch connection male faston 6.3mm ambient temperature max. 55/120°C protection IP40		

microswitches

with push button

switches with snap-fit

			
1			
Part No.	345249	Ref. No.	020270
description	microswitch with push button 250V 0.25A 1NO connection male faston 6.3mm L 26x12mm ambient temperature max. 85°C actuating force: 500g		



			
1			
Part No.	348192	Ref. No.	0202070 I0202070
description	microswitch with push button 250VA 1NO connection male faston 6.3mm L 26x12mm ambient temperature max. 85°C actuating force: 500g		



lamps


indicator lights

indicator lights (complete)

30x22mm

			
1			
Part No.	359157	Ref. No.	0200008
description	indicator light mounting measurements 30x22mm 230V green connection male faston 6.3mm temp.-resist. 125/55°C type RL2		
For models:	GAYA20-TOP-DOOR		
accessories for	359157		
	Part No.	301036	Ref. No. —
	protective cover internal size 30x22mm for rocker switch mounting measurementsmm		


			
1			
Part No.	359178	Ref. No.	N/A
description	indicator light mounting measurements 30x22mm 230V green connection male faston 6.3mm temp.-resist. 85°C type Marquardt 1667.. IP44		
accessories for	359178		
	Part No.	301036	Ref. No. —
	protective cover internal size 30x22mm for rocker switch mounting measurementsmm		


			
1			
Part No.	359155	Ref. No.	0200007
description	indicator light mounting measurements 30x22mm 230V red connection male faston 6.3mm temp.-resist. 125°C type RL2		

fluorescent lamps

accessories

ballasts

			
1			
Part No.	401504	Ref. No.	0206009 3303896
description	electrical ballast 18W 230V Qty 1 pcs		
For models:	GAYA20-TOP-DOOR		

			
1			
Part No.	401505	Ref. No.	0206012 3303897
description	electrical ballast 36W 230V Qty 1 pcs		
For models:	GAYA20-TOP-DOOR		



timers

programme timers



1

Part No.	403659	Ref. No.	3306879
description	timer CDC 4901F1 engines 1 chambers 1 operation time 20s 230V 50Hz shaft ø 6x4.6mm shaft Lmm		

defrost timers

BIGATTI



1

Part No.	360520	Ref. No.	3301867
description	defrost timer BIGATTI type D94.44 defrosting interval 4x per 24h defrosting time 12.5min 230V 50Hz		

CDC



1

Part No.	403603	Ref. No.	I3306873
description	defrost timer CDC type 4901F1CME000.1000 defrosting interval 4x per 24h defrosting time 12.5min 230V 50/60Hz		

miscellaneous



1

Part No.	360187	Ref. No.	3300736
description	defrost timer type RZ-2001-21 defrosting interval 4H defrosting time 15min fan delay 5min 230V 50Hz defr. funct. 4x per 24h		

relays

power relays

with bracket mounting



1

Part No.	380139	Ref. No.	3301894 3301895
description	power relays FINDER 230VAC 16A 2CO connection F6.3 bracket mounting dimensions 68x38.2x35.8mm manuf. no. 62.82.8.230.0000		



1

Part No.	380687	Ref. No.	3300702
description	power relays FINDER 230VAC 30A 2NO connection F6.3 bracket mounting manuf. no. 66.82.8.230.0300		
For models:	GAYA20-TOP-DOOR		



1

Part No.	381252	Ref. No.	3301814
description	relay OMRON 230VAC 25A 2NO connection male faston 6.3mm bracket mounting at 250V 25A manuf. no. G7L-2A-TUB 230VAC		



electronic controllers

EUREMA

refrigeration controllers



1

Part No.	378471	Ref. No.	3304410 3306508 I3306508
description	electronic controller EUREMA type TE11E mounting measurements 58x25mm 230V voltage AC PTC relay outputs 1 NO-16A PTC built-in depth 82mm protection IP65 built-in version -50 up to +50°C display 2 digit		



1

Part No.	378281	Ref. No.	0233096 3303605
description	electronic controller EUREMA type TE32E mounting measurements 64x32mm 230V voltage AC PTC relay outputs 3 NO-16A NO-8A NO-5A PTC PTC protection IP65 built-in version -50 up to +50°C display 2 digit		

1

Part No.	378486	Ref. No.	TE32F
description	electronic controller EUREMA type TE32F mounting measurements 58x25mm 230V voltage AC PTC/NTC relay outputs 3 NO-16A CO-10A NO-10A PTC/NTC PTC/NTC DI front measurements 64x32mm built-in depth 82mm protection IP65 accuracy 1% built-in version incl. adaptor 71x29 defr. funct. yes -50 up to +99°C display 2½ digit		

thermometers



1

Part No.	379778	Ref. No.	0205115 TE01DEF
description	thermometer EUREMA type TE01 mounting measurements 58x25mm 230V voltage AC -10 up to +55°C PTC display 2 digit front measurements 63x32mm protection IP65 accuracy 1%		




1

Part No.	378472	Ref. No.	3301028 I3301028
description	thermometer EUREMA type TE01DEF mounting measurements 58x25mm 230V voltage AC°C measuring input PTC display 2½ digit front measurements 64x32mm protection IP65 accuracy 1% PTC		

accessories



1

Part No.	378306	Ref. No.	3303038
description	load module EUREMA type EWEM036 mounting measurements 115x37mm 230V voltage AC relay outputs 3 CO-20A CO-16A CO-10A front measurementsmm built-in depth 70mm protection IPx0 wall-mounted version defr. funct.°C display		
accessories for	378306		
	Part No.	403555	Ref. No. 3303049
	ribbon cable 5-pole L 1000mm plug type IDC-AUTOCOM HE14, 90° raster size 2.54mm		

probes

universal probes

temperature probes



1

Part No.	379343	Ref. No.	0205610
description	temperature probe NTC 10kOhm cable silicone probe -40 up to +110°C cable -50 up to +180°C probe ø6x40mm cable length 3m 2-wire		

producer-specific probes

probes



1

Part No.	403910	Ref. No.	I0205805
description	temperature probe NTC 10kOhm cable PVC probe -40 up to +110°C connection 2-wire probe 5x20 cable length 1.475m		



electronics

PCBs



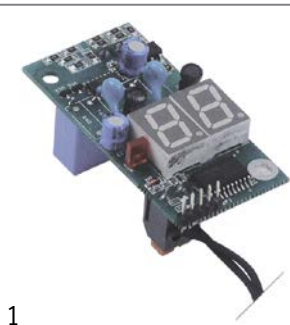
1

Part No.	403954	Ref. No.	I9R00462
description	control PCB refrigeration IARP L 222mm W 40mm		



1

Part No.	403736	Ref. No.	43845000
description	control PCB refrigeration IARP L 222mm W 40mm for fridge		



1

Part No.	402976	Ref. No.	0205600
description	PCB thermometer L 68mm W 33mm cable length 2000mm with probe 230V voltage AC		

keypads

front foils



1

Part No.	403764	Ref. No.	49357000
description	front foil blast freezer L 165mm W 45mm		

solenoid valves


solenoid valves (refrigeration)

DANFOSS

valve bodies



1

Part No.	370160	Ref. No.	0189035 I0189035
description	solenoid valve body NC type EVR 3 p max 45.2bar DN 3.2mm connection 6mm soldering connection -40° up to 105°C refrigeration straight DANFOSS		
accessories for	370160		
	Part No.	371046	Ref. No. —
	console for solenoid valve for EVR2,3,6,10		

compressors

EMBRACO / ASPERA

R134A

HBP monophase

High evaporation temperature above -15°C



1

Part No.	605181	Ref. No.	0210607
description	compressor coolant R134a type EMT50HDP 220-240V 50Hz HBP 7.8kg 1/6HP cylinder capacity 4.5cm³ RSIR H 166mmWWW 161W 207W 261W 324W 396W 476W		



HMBP monophase

High/Medium evaporation temperature above -20/-15 °C



1

Part No.	605016	Ref. No.	0210611
description	compressor coolant R134a type EM65HHR 220-240V 50Hz HBP fully hermetic 7.62kg 1/6HP cylinder capacity 5.54cm ³ CSIRWWW 287W 389W 499W 617W 742W test method ASHRAE 842W		

R600A

LBP monophase

Lower evaporation temperature below -20°C



1

Part No.	605257	Ref. No.	45004031
description	compressor coolant R600a type EMD46CLT 220-240V 50Hz LBP 7.5kgHP cylinder capacity 7.96cm ³ RSCR H 210mm 88W 118W 154W 196W 246W		

R290A

LBP monophase

Lower evaporation temperature below -20°C



1

Part No.	605258	Ref. No.	I0210981
description	compressor coolant R290 type EMT2134U 220-240V 50Hz LBP 9kg 3/8HP cylinder capacity 9.5cm ³ CSIR H 187mm 250W 278W 305W 330W 366W		

SECOP DANFOSS

R134A


HMBP monophase

High/Medium evaporation temperature above -20/-15 °C



1

Part No.	605076	Ref. No.	0210109
description	compressor coolant R134a type SC18G 220-240V 50Hz HMBP fully hermetic 13.7kg 1/2HP power input 495W cylinder capacity 17.7cm ³ CSIR H 219mmW 348W 485W 649W 844W 1074W 1343W 1655W 2014W test method ASHRAE		

spare parts for	605076			
	Part No.	380058	Ref. No.	—
	start relay DANFOSS 117U6019/F278 HST			

R290



1

Part No.	605204	Ref. No.	0210951
description	compressor coolant R290 type NEK2160U 220-240V 50Hz LBP 11.9kg 3/4HP cylinder capacity 16.8cm ³ CSR H 206mm 508W 646W 808W 995W 1206W test method ASHRAE		




1

Part No.	605194	Ref. No.	0210107
description	compressor coolant R134a type SC21G 220-240V 50Hz HMBP 13.5kg 5/8HP power input 643W cylinder capacity 20.95cm ³ CSR H 219mmW 410W 558W 746W 977W 1250W 1568W 1931W 2343W test method ASHRAE		



1

Part No.	601055 ¹	Ref. No.	0221007	
description	axial fan L 92mm W 92mm H 25mm 230VAC 50/60Hz 14.5/14W bearing ball bearing connection male faston 2.8mm metal ADDA fan wheel ø 85mm temp.-resist. 70°C			
accessories for	601055			
	Part No.	550898	Ref. No.	0221181 I0221181
	connecting cable cable length 2000mm connection F 2.8 connection distance 7.9mm for axial flow fan			
	Part No.	691103	Ref. No.	—
	guard ø 90mm mounting distance 83mm for axial fan 92mm			

fans


axial fans

import



1

Part No.	601131 ¹	Ref. No.	0221005 0221151 I0221151	
description	axial fan L 119mm W 119mm H 25mm 230VAC 50/60Hz 19/18W bearing ball bearing connection male faston 2.8mm metal ADDA fan wheel ø 110mm temp.-resist. 70°C			
accessories for	601131			
	Part No.	550898	Ref. No.	0221181 I0221181
	connecting cable cable length 2000mm connection F 2.8 connection distance 7.9mm for axial flow fan			

¹with ball bearings



1

Part No.	601909 ¹	Ref. No.	45003031
description	axial fan L 119mm W 119mm H 38mm 220-240 50/60Hz 31/29W bearing ball bearing connection male faston 2.8mm		

¹with ball bearings¹with ball bearings

accessories


fan guards



1

Part No.	691104	Ref. No.	0427017 I0427017
description	guard ø 115mm mounting distance 105mm for axial fan 119mm		

connecting cables



1

Part No.	550898	Ref. No.	0221181 I0221181
description	connecting cable cable length 2000mm connection F 2.8 connection distance 7.9mm for axial flow fan		



refrigeration fans


refrigeration motors universal

ELCO

N series - standard




1

Part No.	601442	Ref. No.	0220067 I0220067
description	fan motor ELCO 10W 230V 50-60Hz bearing slide bearing L1 45mm L3 83mm W 83mm cable length 1800mm 1300/1550rpm 3 mounting options VN10-20/507 triple		
spare parts for	601442		
	Part No.	601413	Ref. No. —
	fixing plate suitable for fanwheel ED ø 32mm shaft ø 7 mounting distance 26mm		




1

Part No.	601762	Ref. No.	0221141
description	fan motor ELCO 10W 230V 50Hz bearing ball bearing L1 49mm L2 59mm L3 86.5mm W 83mm connection cable 500mm cable length 500mm 1300/1550rpm 3 mounting options VN10-20/1456		
spare parts for	601762		
	Part No.	601413	Ref. No. —
	fixing plate suitable for fanwheel ED ø 32mm shaft ø 7 mounting distance 26mm		



1

Part No.	601763	Ref. No.	0221140
description	fan motor ELCO 16W 230V 50/60Hz bearing ball bearing L1 48mm L2 64mm L3 91.5mm W 83mm connection cable 500mm cable length 500mm 1300/1550rpm 3 mounting options VN16-25/1457		
spare parts for	601763		
	Part No.	601413	Ref. No. —
	fixing plate suitable for fanwheel ED ø 32mm shaft ø 7 mounting distance 26mm		



1

Part No.	601735	Ref. No.	0221115 3604962
description	fan motor ELCO 5W 230V 50/60Hz bearing slide bearing L3 71mm W 59mm connection Kabel 1430mm cable length 1500mm 1300/1550rpm 3 mounting options VN5-13/249		

IQ series



1

Part No.	601886	Ref. No.	0220087
description	fan motor 14W 230V 50/60Hz L2 35-56mm L3 95mm W 80mm cable length 1000mm 1400rpm ELCO IQ motor 3 mounting options bearing ball bearing		



1


Part No.	601887	Ref. No.	0220088
description	fan motor 25W 230V 50/60Hz L2 46-66mm L3 115mm W 90mm cable length 1000mm 1400rpm ELCO IQ motor 3 mounting options bearing ball bearing		



FMI



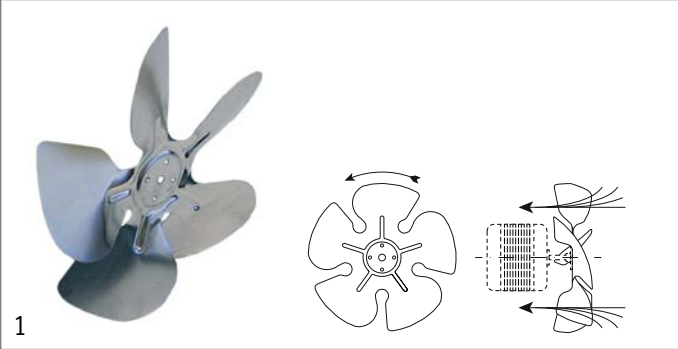
1

Part No.	601332	Ref. No.	0220072 I0220072
description	fan motor 16W 230V 50Hz L1 65mm L2 54mm L3 94mm W 77mm cable length 500mm 1300/1550rpm ABS12 5 mounting options bearing slide bearing		
For models:	GAYA20-TOP-DOOR		
spare parts for	601332		
	Part No.	601413	Ref. No. —
	fixing plate suitable for fanwheel ED ø 32mm shaft ø 7 mounting distance 26mm		

accessories

fan wheels

aluminium



1

Part No.	601069	Ref. No.	0407004
description	fan wheel sucking ø 172mm turn direction left fan wheel mounting 25.4mm blade angle 25° W 32mm aluminium		

mounting rings



1

Part No.	601586	Ref. No.	0221128
description	ring for fan wheel ø 172mm sucking ø 220mm H 49mm mounting distance 1 208mm mounting distance 2 94.5mm		



1

Part No.	601587	Ref. No.	0221116
description	ring for fan wheel ø 200mm sucking ø 246mm H 49mm mounting distance 1 236mm mounting distance 2 94.5mm		

cross flow fans

COPREL

double fans



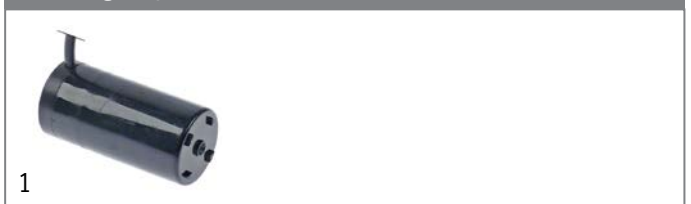
1

Part No.	602107	Ref. No.	N/A
description	cross flow fan COPREL TFD roller ø 60mm roller length 2x300mm laminated core thickness 30mm motor position centre 230V/50-60Hz 35W universal bearing silicone connection cable 1600mm airflow 333m³/h -10 up to +50°C		

condensators & interference suppression filters

starting capacitors

starting capacitors



1

Part No.	365153	Ref. No.	0210402
description	starting capacitor 52µF 330V 50/60Hz duty cycle 3s 41280A133 2252347 ø 36mm L 83mm M8 plastic connection cable 350mm		



fuses

line circuit breakers

miscellaneous



1

Part No.	356000	Ref. No.	I3301770
description	circuit breaker 2 20A with fault current switch		

electric accessories

cables

power supply cables



1

Part No.	552002	Ref. No.	I3306470
description	power lead CEE7/7 type E+F contacts P+N+E 1mm ² max. 16A max 230V 2.5m		

ribbon cables

group 6



1

Part No.	403555	Ref. No.	3303049
description	ribbon cable 5-pole L 1000mm plug type IDC-AUTOCOM HE14, 90° raster size 2.54mm		

terminal boxes



1

Part No.	551086	Ref. No.	01009
description	terminal box 6-pole L 117mm W 67mm H 22mm protection IP30		

equipmentspecific units

for fridges

spare parts and accessories



1

Part No.	551346	Ref. No.	I0534005R
description	bush refrigerator compressor ø 9mm ID ø 6.5mm L 17mm Qty 1 pcs		



1

Part No.	699232	Ref. No.	I0535012
description	strain relief L 56mm W 14.5mm H 20mm		

housing and bezels

covers



1

Part No.	998252	Ref. No.	44037000
description	cover for ventilation L 72mm W 62mm H 10mm Qty 1 pcs		

control panel



1

Part No.	699234	Ref. No.	44027000
description	bezel L 780mm W 67mm H 62mm mounting pos. upper		

housings



1

Part No.	699233	Ref. No.	I9500323
description	terminal box L 98mm W 74mm H 35mm kit		



knobs

producer-specific knobs

IARP



1

Part No.	112654	Ref. No.	3301324
description	knob ø 22.5mm shaft ø 6x4mm blue for thermostat		

locks

locking devices

producer-specific

IARP



1

Part No.	701114	Ref. No.	0423002
description	door catch plastic H 15mm L 40mm W 15mm hole ø 4.2mm mounting distance 14mm for catch		



1

Part No.	702100	Ref. No.	44373000
description	key cylinder ø 19mm rotation 180° cam length 42.5mm cam width 14mm		



1

Part No.	701113	Ref. No.	0423001
description	key cylinder rotation 180° cam length 32mm cam width 17mm mounting ø 19mm		

hinges

door bearing



1

Part No.	701562	Ref. No.	44447000
description	bolt L 36mm W 22mm thread M6 bolt 12mm bolt ø 12mm		



1

Part No.	701025	Ref. No.	0530022
description	bolt L 45mm mounting pos. upper thread M8x1.25 ø 12mm for hinge		
accessories for	701025		



Part No.	701026	Ref. No.	0162886
description	hinge L 56mm W 50mm mounting pos. upper thickness 3mm		



1

Part No.	701567	Ref. No.	41649000
description	bush L 11mm ø 11/15mm thickness 2mm		



1


Part No.	701572	Ref. No.	I0534002
description	bush ø 18.5mm ID ø 12mm		






1


Part No.	692537	Ref. No.	0415134 I0415134
description	door hinge L 68mm W 25mm mounting pos. upper right with plunger		





			
1			
Part No.	701564	Ref. No.	46996000
description	hinge L 130mm W 85mm H 38mm mounting distance 48mm mounting distance 2 33mm thread M6 ø 8mm bolt 13mm bolt ø 8mm		


			
1			
Part No.	701026	Ref. No.	0162886
description	hinge L 56mm W 50mm mounting pos. upper thickness 3mm		
accessories for	701026		
	Part No.	Ref. No.	
	701025	0530022	
description	bolt L 45mm mounting pos. upper thread M8x1.25 ø 12mm for hinge		

			
1			
Part No.	701027	Ref. No.	0415122
description	hinge L 58mm W 28mm H 73mm mounting pos. lower with bolt		

			
1			
Part No.	701039	Ref. No.	0160434
description	hinge L 67mm W 43mm H 22mm mounting pos. bottom right		


			
1			
Part No.	701563	Ref. No.	43870000
description	hinge L 98mm W 48mm H 38mm mounting distance 40mm mounting distance 2 20mm thread M6		

			
1			
Part No.	701565	Ref. No.	48205000
description	hinge bearing L 72mm W 39mm H 30mm mounting distance 25mm mounting distance 2 25mm mounting pos. left		

			
1			
Part No.	701566	Ref. No.	46997000
description	hinge bearing L 72mm W 39mm H 30mm mounting distance 25mm mounting distance 2 25mm mounting pos. right		

equipment feet and end caps

screw-in feet


			
1			
Part No.	701112	Ref. No.	0403014 I0403014
description	equipment foot thread M10 thread L 35mm H 43mm plastic WS 30 Qty 1 pcs		

shelves and shelf rails

grates

universal

with upstand

			
1			
Part No.	970824	Ref. No.	0427743
description	grate W 526mm D 418mm plastic-coated steel with hinge camp crossing wires 2		







			
1			
Part No.	970556	Ref. No.	0427396
description	grate W 530mm D 650mm GN 2/1 plastic-coated steel with hinge camp wire gauge frame 9mm lengthwise wires gauge 5mm crossing wires 2 white suitable for refrigerator		
accessories for	970556		
	Part No.	Ref. No.	
	690330	—	
description	rack L 1000mm W 22mm H 4mm aperture 3x8mm hole distance 12.5mm stainless steel		
	Part No.	Ref. No.	
	690332	I0402138	
description	shelf support L 31/28mm W 22mm H 17mm SS with hook Qty 1 pcs		
	Part No.	Ref. No.	
	694700	—	
description	shelf support L 31/28mm W 22mm H 18mm SS Qty 12 pcs		


Table continues overleaf




accessories for	970556			
	Part No.	694701	Ref. No.	—
	shelf support L 31/28mm W 22mm H 17mm SS with hook Qty 12 pcs			

1 			
Part No.	970874	Ref. No.	0427709
description	grate W 650mm D 540mm GN 2/1 H 30mm plastic-coated steel with hinge camp for fridge wire gauge frame 7.3mm lengthwise wires gauge 3.2mm crossing wires 2 white		



producer-specific

1 			
Part No.	970930	Ref. No.	44714000
description	grate W 650mm D 330mm H 9mm wire gauge frame 7mm lengthwise wires gauge 3mm crossing wires 1		


1 			
Part No.	970929	Ref. No.	44379000
description	grate W 665mm D 560mm H 30mm wire gauge frame 7mm lengthwise wires gauge 3mm crossing wires 2		


shelf rails and supports

universal

1 				
Part No.	690332	Ref. No.	I0402138	
description	shelf support L 31/28mm W 22mm H 17mm SS with hook Qty 1 pcs			
accessories for	690332			
	Part No.	690330	Ref. No.	—
	rack L 1000mm W 22mm H 4mm aperture 3x8mm hole distance 12.5mm stainless steel			

producer-specific

1 			
Part No.	699231	Ref. No.	I0402137
description	guide white L 1350mm W 20mm H 5mm Qty 1		

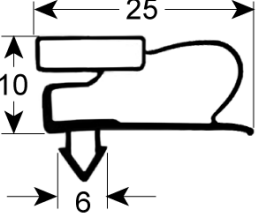
1 			
Part No.	691835	Ref. No.	0160741
description	shelf support L 28/25mm W 35mm H 19mm		

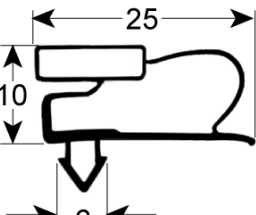
gaskets

refrigeration gaskets

plug-in gaskets

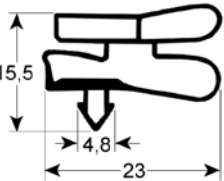
profile 9050

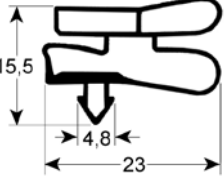
1 			
Part No.	902152	Ref. No.	0313225
description	refrigeration gasket profile 9050 W 560mm L 1585mm plug size		

1 			
Part No.	902051	Ref. No.	0313220
description	refrigeration gasket profile 9050 W 700mm L 1505mm plug size		

profile 9151

We offer custom-made gaskets for this profile

1 			
Part No.	901457	Ref. No.	3303310
description	refrigeration gasket profile 9151 W 495mm L 1440mm plug size		

1 			
Part No.	901458	Ref. No.	0313223
description	refrigeration gasket profile 9151 W 535mm L 1690mm plug size		



Part No.	901083	Ref. No.	0313205
description	refrigeration gasket profile 9151 W 550mm L 1722mm plug size L1 1712mm W1 540mm external size		

Part No.	901096	Ref. No.	0313191 3300917
description	refrigeration gasket profile 9151 W 620mm L 890mm plug size		

Part No.	901179	Ref. No.	3302200 I3302200
description	refrigeration gasket profile 9151 W 555mm L 1555mm plug size L1 1545mm W1 545mm external size		

Part No.	901081	Ref. No.	0313010
description	refrigeration gasket profile 9151 W 634mm L 1391mm external size L1 1381mm W1 624mm plug size		

Part No.	901080	Ref. No.	0313007 I0313007
description	refrigeration gasket profile 9151 W 558mm L 1713mm plug size L1 1703mm W1 548mm external size		

Part No.	901097	Ref. No.	3300913
description	refrigeration gasket profile 9151 W 637mm L 576mm plug size		

Part No.	901082	Ref. No.	0313178
description	refrigeration gasket profile 9151 W 585mm L 1390mm plug size L1 1380mm W1 575mm external size		

Part No.	901796	Ref. No.	0313221
description	refrigeration gasket profile 9151 W 655mm L 1534mm plug size		

Part No.	901086	Ref. No.	0313206
description	refrigeration gasket profile 9151 W 620mm L 1522mm plug size L1 1532mm W1 630mm external size		

Part No.	901377	Ref. No.	0313291
description	refrigeration gasket profile 9151 W 715mm L 1674mm plug size L1 1686mm W1 722mm external size		



Part No.	901322	Ref. No.	0313233
description	refrigeration gasket profile 9151 W 717mm L 1515mm plug size L1 1505mm W1 707mm external size		

Part No.	901085	Ref. No.	0313200
description	refrigeration gasket profile 9151 W 730mm L 1550mm plug size L1 1540mm W1 720mm external size		

Part No.	901084	Ref. No.	0313202 0313207
description	refrigeration gasket profile 9151 W 740mm L 1619mm plug size L1 1609mm W1 730mm external size length external size 1625mm width external size 740mm		

profile 9058

Part No.	902395	Ref. No.	44404000 I9R01113
description	refrigeration gasket profile 9058 W 770mm L 1810mm plug size Qty 1		

refrigeration cycle components

filter driers

miscellaneous

Part No.	750311	Ref. No.	0145040
description	dryer size 20g ø 19mm L 149mm connection 3,2/6,2mm		

Part No.	750310	Ref. No.	0145015
description	dryer size 20g ø 19mm L 150mm connection 3.2/5/6.2mm		

evaporators

for fridges

producer-specific

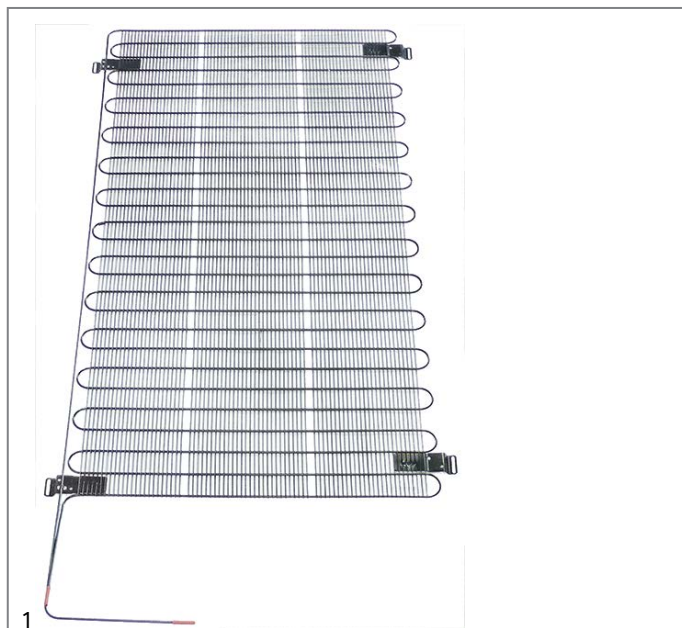
Part No.	750621	Ref. No.	0119189
description	evaporator for fridge L 390mm W 325mm IARP		

Part No.	750342	Ref. No.	0130010
description	evaporator L 1580mm W 660mm suitable for AB500P		

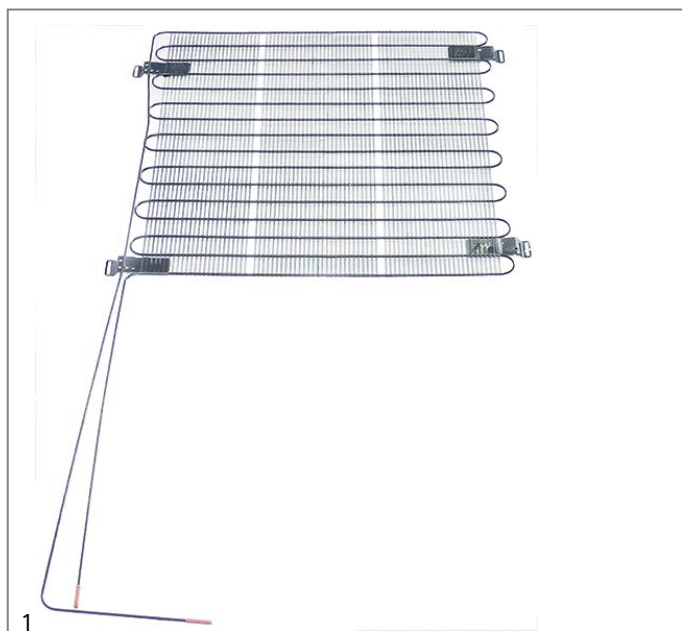


condensers

condensers



Part No.	750703	Ref. No.	44918000
description	condenser W 790mm D 10mm H 1360mm		



Part No.	750699	Ref. No.	45034000
description	condenser W 790mm D 10mm H 750mm Qty 1 pcs		

evaporation and condensing trays

evaporation trays



Part No.	699211	Ref. No.	I0425088
description	evaporation tray L 230mm W 144mm H 45mm		

measuring equipment

thermometers

built-in thermometers



Part No.	541080	Ref. No.	0406018 3303276
description	thermometer mounting measurements 58x25.5mm -40 up to +40°C capillary pipe 2500mm probe ø 6mm probe L 30mm		
For models:	GAYA20-TOP-DOOR		

external power supply



Part No.	378274 ¹	Ref. No.	0406046
description	thermometer ARTERMO type ROF-DIG/230 mounting measurements 58x25.5mm front measurements 64x31mm 230V voltage AC -30 jusqu'à +110°C probe ø6x40mm cable length 2500mm display 3 digits		

¹incl. 1x NTC probe

fastening material

washers

washers

miscellaneous



Part No.	560486	Ref. No.	0521000
description	plain washer ID ø 14.1mm ED ø 22mm thickness 2mm plastic Qty 1 pcs		
For models:	GAYA20-TOP-DOOR		

GASTROPARTS.COM



© 2020 Gastroparts Sp. J. All rights reserved.