








GASTROPARTS

zmywarki / dishwashers

SAMMIC

-  www.gastroparts.com
-  gastroparts@gastroparts.com
-  tel. +48 56 657 00 68
-  [/gastroparts.global](https://www.facebook.com/gastroparts.global)
-  [/gastroparts.global](https://www.instagram.com/gastroparts.global)



heating elements

immersion heating elements

3 hole flange ø38.5mm

Part No.	420206	Ref. No.	2313132 2319211
description	heating element 2000W 230V mounting ø 38.5mm heating circuits 1 L 261mm W 33mm H 19mm number of thermostat sleeves 1 thermostat sleeves ø 7mm length thermostat sleeves 105mm thermostat sleeve eccentric, non clinging tube ø 6mm hole distance 57.5mm hole ø 10mm 3 hole flange connection male faston 6.3mm immersion heater		
For models:	P-35, P-41, SL-18, SL-20E		
accessories for	420206		
	Part No.	Ref. No.	—
	 O-ring EPDM thickness 5.34mm ID ø 40.65mm Qty 1 pcs		

with expansion flange 40 x 17mm

Part No.	420028	Ref. No.	2313119 2319207
description	heating element 1500W 220V flange 40x17mm L 115mm W 190mm H 24mm tube ø 8mm heating circuits 1 immersion heater		
For models:	P-35, P-41, S-41, SL-19, SL-19D, SL-20, SL-20D, SL-21, SL-21B, SL-21BD, SL-21D, SL-22, SL-22B, SL-22BD, SL-22D, SL-23, SL-23B, SL-23BP, SL-24, SL-290B, SL-350B, SL-550B, SL-550BP, X-35, X-40, X-41, X-45		

with expansion flange 70 x 18mm

Part No.	416357	Ref. No.	2302830
description	heating element 2000W 230V heating circuits 1 flange 70x18mm L 265mm W 65mm connection M4 tube ø 8.5mm		
For models:	BM-21, E-18, E-19, LVT-18, LVT-18A, LVT-18H, SV-18, SV-18H		

Part No.	416370	Ref. No.	2309092
description	heating element 2500W 230V heating circuits 1 flange 70x18mm L 380mm W 68mm H 30mm connection male faston 6.3mm tube ø 8mm		
For models:	E-1000, S-350, S-550, SB-350, SB-550, SC-1100, SL-650C, SL-650C-USA, SP-290, SP-350, SP-550, SP-550B, SP-800		
accessories for	416370		
	Part No.	Ref. No.	2309053
	 gasket L 76mm W 23mm hole distance 25mm 3 holes for heating element type DB 70 without thermostat sensor hole		



Part No.	420029	Ref. No.	2313408 2313465
description	heating element 2500W 230V heating circuits 1 flange 70x18mm L 390mm W 95mm H 29mm connection male faston 6.3mm immersion heater tube ø 8mm		
For models:	P-100, P-50, S-100, S-120, S-50, S-60, SL-1100B, SL-1100BP, SL-1200B, SL-1200BP, SL-290B, SL-350B, SL-360, SL-550, SL-550B, SL-550BP, SL-560, SL-800B, SL-810, SL-900, X-100, X-120, X-50, X-60, X-80		


Part No.	420076	Ref. No.	2309094
description	heating element 3000W 230V heating circuits 3 flange 70x18mm L 380mm W 65mm H 28mm connection male faston 6.3mm immersion heater expansion flange for tank tube ø 6.4mm		
For models:	LV-1100, LV-1200, S-60, S-750, S-750A, SB-750, SB-750A, SC-1200, SL-1100B, SL-1100BP, SL-1200B, SL-1200BP, SL-650C, SL-900		


with round flange ø57.5mm



Part No.	416369	Ref. No.	2309696
description	heating element 2500W 230V heating circuits 1 mounting ø 57.5mm L 255mm W 31mm H 42mm connection male faston 6.3mm tube ø 8mm thermostat sleeves ø 7mm number of thermostat sleeves 1 length thermostat sleeves 110mm thermostat sleeve centre		
For models:	E-300, LVT-19, S-20, S-21, S-23, S-41, SB-22, SB-23, SL-290B, SL-350B, SL-550B, SL-550BP, SP-23, SP-23B, SP-290, SP-350, SP-550, SP-550B, SV-19, SV-20, SV-21, SV-21B, X-35, X-40, X-41, X-45		
accessories for	416369		
	Part No.	Ref. No.	—
	 tension strap H 10mm L 21mm W 10mm hole ø 6.5mm for heating element		





			
Part No.	420207	Ref. No.	2319070
description	heating element 2800W 230V heating circuits 1 mounting \varnothing 57.5mm L 297mm W 32mm H 37mm round flange connection male faston 6.3mm immersion heater tube \varnothing 8mm connection length 32mm thermostat sleeves \varnothing 7mm number of thermostat sleeves 1 length thermostat sleeves 110mm thermostat sleeve centre not clinging		
For models:	S-41, SL-19, SL-19D, SL-20D, SL-21BD, SL-21D, SL-22, SL-22B, SL-22BD, SL-22D, SL-23, SL-23B, SL-23BP, SL-24, SL-290B, SL-350B, SL-550B, SL-550BP, X-35, X-40, X-41, X-45		
accessories for	420207		
	Part No.	550002	Ref. No. —
	tension strap H 10mm L 21mm W 10mm hole \varnothing 6.5mm for heating element		

			
Part No.	420030	Ref. No.	2309778
description	heating element 3000W 230V heating circuits 1 mounting \varnothing 57.5mm L 308mm W 32mm H 37mm connection male faston 6.3mm immersion heater tube \varnothing 8mm thermostat sleeves \varnothing 8mm number of thermostat sleeves 1 length thermostat sleeves 105mm thermostat sleeve centre		
For models:	S-290, S-350, S-50, SB-290, SB-350, SL-290B, SL-350B, SL-360, SL-550, SL-550B, SL-550BP, SL-560, SP-290, SP-350, SP-550, SP-550B, X-50		

			
Part No.	420031	Ref. No.	2305052 2309100 2309860
description	heating element 4500W 230V heating circuits 3 mounting \varnothing 57.5mm L 365mm W 33mm H 38mm connection male faston 6.3mm immersion heater tube \varnothing 8mm thermostat sleeves \varnothing 8mm number of thermostat sleeves 1 length thermostat sleeves 105mm thermostat sleeve centre		
For models:	S-550, S-60, SB-550, SL-290B, SL-350B, SL-550B, SL-550BP, SL-650C, SL-650C-USA, SL-810, SL-900, SP-290, SP-350, SP-550, SP-550B, X-60		


			
Part No.	420036	Ref. No.	2309098
description	heating element 6000W 230V heating circuits 3 mounting \varnothing 57.5mm L 455mm W 34mm H 40mm round flange connection male faston 6.3mm tube \varnothing 8mm thermostat sleeves \varnothing 8mm number of thermostat sleeves 1 length thermostat sleeves 105mm thermostat sleeve centre		
For models:	E-1000, LV-1100, P-100, S-100, S-120, S-750, S-750A, SB-750, SB-750A, SC-1100, SL-1100B, SL-1100BP, SL-1200B, SL-1200BP, SL-800B, SL-900, SP-800, SU-600, SU-750, X-100, X-120		
accessories for	420036		
	Part No.	510409	Ref. No. —
	O-ring EPDM thickness 5.34mm ID \varnothing 56.52mm Qty 1 pcs		


			
Part No.	420205	Ref. No.	2309858
description	heating element 9000W 230V heating circuits 3 mounting \varnothing 57.5mm L 510mm W 34mm H 44mm round flange connection M4 immersion heater tube \varnothing 8mm thermostat sleeves \varnothing 7mm number of thermostat sleeves 1 length thermostat sleeves 110mm thermostat sleeve centre not clinging		
For models:	LV-1200, S-100, S-120, SC-1200, SL-1100B, SL-1100BP, SL-1200B, SL-1200BP, SL-900, ST, ST-1400, ST-1700, ST-2200, ST-2800, ST-3000, ST-3500, SU-600, SU-750, X-100, X-120		

			
Part No.	420194	Ref. No.	2309746
description	heating element 1500W 230V heating circuits 1 L 190mm W 120mm H 19mm thread 1/4" mounting distance 69mm tube \varnothing 8mm connection male faston 6.3mm immersion heater 2 hole fixing		
For models:	E-19, E-300, LVT-19, S-20, S-21, S-23, S-290, SB-22, SB-23, SB-290, SP-23, SP-23B, SP-290, SP-350, SP-550, SP-550B, SV-19, SV-20, SV-21, SV-21B		

accessories

flange gaskets


			
Part No.	510401	Ref. No.	00003430
description	gasket rubber L 88mm W 73mm thickness 5mm hole \varnothing 7mm hole distance 65mm for heating element 4 holes ID \varnothing 50mm		

			
Part No.	510429	Ref. No.	2309053
description	gasket L 76mm W 23mm hole distance 25mm 3 holes for heating element type DB 70 without thermostat sensor hole		
For models:	E-18, E-19, LVT-18, LVT-18A, LVT-18H, SV-18, SV-18H		

thermostats

bi-metal thermostats

safety bi-metal thermostats

			
Part No.	390717	Ref. No.	2302852 2319230
description	bi-metal safety thermostat hole distance 23.8mm switch-off temp. 110°C 1NC 1-pole 16A 250V connection F6.3 2 hole fixing mounting \varnothing 18.3mm		
For models:	E-1000, E-300, LV-1100, LV-1200, LVT-19, P-100, P-50, S-100, S-120, S-20, S-21, S-23, S-290, S-350, S-41, S-50, S-550, S-60, S-750, S-750A, SB-22, SB-23, SB-290, SB-350, SB-550, SB-750, SB-750A, SC-1100, SC-1200, SL-1100B, SL-1100BP, SL-1200B, SL-1200BP, SL-20, SL-20D, SL-21, SL-21B, SL-21BD, SL-21D, SL-22, SL-22B, SL-22BD, SL-22D, SL-23, SL-23B, SL-23BP, SL-24, SL-290B, SL-350B, SL-550B...(Other models you can see in the webshop)		



switches and momentary switches

rocker/momentary rocker switches

27.8x25mm



1

Part No.	347173 ¹	Ref. No.	4301649
description	momentary rocker switch mounting measurements 27.8x25mm white 2NO 250V 16A illuminated programme connection male faston 6.3mm ambient temperature max. 85°C protection IP40		
For models:	S-21, SB-22		

¹illuminated

30x22mm



1

Part No.	347956	Ref. No.	2140282 2310416
description	rocker switch mounting measurements 30x22mm white 2NO 250V 20A illuminated 0-I connection male faston 6.3mm ambient temperature max. 125/55°C protection IP65 with rubber collar		
For models:	ECM, SAM-3001, SL-20E, SL-300, V-201T, V-253T		



1

Part No.	346474	Ref. No.	2310405
description	dummy element external size 30x22mm suitable for rocker switch		
For models:	SC-1100, SC-1200, SL-20, SL-21, SL-21B, SL-23, SL-23B, SL-23BP, SL-290B, SL-350B, SL-550B, SL-550BP, SP-23, SP-23B, SP-290, SP-350, SP-550, SP-550B, SV-20, SV-21, SV-21B		

push/momentary push switches

19x13mm



1

Part No.	359446 ¹	Ref. No.	2052735
description	push switch mounting measurements 19x13mm yellow 2NO 250V 16A illuminated connection male faston 6.3mm ambient temperature max. 125°C protection IP65 with cover cap		
For models:	M-5, SK-3, SK-5, SK-8, SKE-3, SKE-5, SKE-8		

¹illuminated

30x22mm



1

Part No.	301274	Ref. No.	4301648
description	momentary push switch mounting measurements 30x22mm black 1NO 250V 16A connection male faston 6.3mm ambient temperature max. 85/55°C protection IP65 with cover cap		
For models:	SV-18, SV-18H		



1

Part No.	301275 ¹	Ref. No.	2306538
description	push switch mounting measurements 30x22mm orange 2NO 250V 16A illuminated connection male faston 6.3mm ambient temperature max. 85°C protection IP65 with cover cap		
For models:	E-18, E-19, E-300, LVT-18, LVT-18A, LVT-18H, S-20, SV-18, SV-18H		

¹illuminated

1

Part No.	346048	Ref. No.	2310400 2319394
description	momentary push switch mounting measurements 30x22mm black 1NO 250V 16A connection male faston 6.3mm ambient temperature max. 85/125°C protection IP40		
For models:	P-41, P-50, SC-1100, SC-1200, SL-20, SL-21, SL-21B, SL-23, SL-23B, SL-23BP, SL-290B, SL-350B, SL-550B, SL-550BP, SL-800B, SP-23, SP-23B, SP-290, SP-350, SP-550, SP-550B, SP-800, SV-20, SV-21, SV-21B		



1


Part No.	347024	Ref. No.	2310404 2319208
description	momentary push switch mounting measurements 30x22mm white 1NO/indicator light 250V 16A connection male faston 6.3mm ambient temperature max. 85/55°C protection IP40		
For models:	P-35, P-41, P-50, SA-3000, SA-5000, SAM-3000, SAS-5000, SAS-6000, SL-18, SL-19, SL-20, SL-21, SL-21B, SL-23, SL-23B, SL-23BP, SL-290B, SL-350B, SL-550B, SL-550BP, SL-800B, SP-23, SP-23B, SP-290, SP-350, SP-550, SP-550B, SP-800, SV-19, SV-20, SV-21, SV-21B		



1

Part No.	347955	Ref. No.	2310402
description	push switch mounting measurements 30x22mm black 1NO/1NC 250V 12A connection male faston 4.8mm ambient temperature max. 85°C protection IP44		
For models:	SA-3000, SA-5000, SC-1200, SL-800B, SP-800		





			
1			
Part No.	346041 ¹	Ref. No.	2310403 2319215 6800234
description	push switch mounting measurements 30x22mm white 2NO 250V 16A illuminated connection male faston 6.3mm ambient temperature max. 85/55°C protection IP40		
For models:	P-35, P-41, P-50, SA-3000, SA-5000, SAS-5000, SAS-5001, SAS-6000, SAS-6001, SC-1100, SC-1100BP, SC-1200, SC-1200BP, SL-1100B, SL-1100BP, SL-1200B, SL-1200BP, SL-18, SL-19, SL-20, SL-21, SL-21B, SL-23, SL-23B, SL-23BP, SL-290B, SL-350B, SL-550B, SL-550BP, SL-800B, SL-900, SP-23, SP-23B, SP-290, SP-350, SP-550, SP-550B, SP-800, SU-600, SU-750, SV-19, SV-20, SV-204T, SV-21, SV-21B, SV-306T, SV-308T, SV-310S, SV-310T, SV-408T...(Other models you can see in the webshop)		

¹illuminated

microswitches


lever actuated

			
1			
Part No.	347443	Ref. No.	4309250
description	microswitch with lever 250V 16A 1CO connection male faston 6.3mm L 40mm ambient temperature max. 85°C actuating force: 120g		
For models:	E-18, E-19, E-300, LVT-18, LVT-18A, LVT-18H, S-20, S-21, S-23, S-290, S-350, S-550, S-750, S-750A, SB-22, SB-23, SB-290, SB-350, SB-550, SB-750, SB-750A, SV-18, SV-18H		


			
1			
Part No.	345107	Ref. No.	6420114
description	microswitch with lever 250V 16A 1CO connection male faston 6.3mm L 98mm ambient temperature max. 125°C mounting distance 22mm actuating force: 30g lever length 90mm		
For models:	BB-900		

position switches

OMRON


			
1			
Part No.	347472	Ref. No.	2306003 2309877
description	position switch with mountign material 1NC/1NO 230V L 31mm W 30mm H 64mm protection IP67 AC-15 3A		
For models:	E-1000, LV-1100, LV-1200		

float switches


			
1			
Part No.	347348	Ref. No.	2310475
description	float switch thread M16x2 1NO or 1NC ø 18mm L 88.5mm mounting ø 16mm 240V 1A cable cable length 1000mm		
For models:	SC-1100BP, SC-1200BP, SL-1100B, SL-1100BP, SL-1200B, SL-1200BP, SL-23, SL-23B, SL-23BP, SL-290B, SL-350B, SL-550B, SL-550BP, SL-650C, SL-650C-USA, SL-900, SP-550BP		

rotary switches

GOTTAK

			
1			
Part No.	347356 ¹	Ref. No.	2309182
description	rotary switch 2 0-1 sets of contacts 2 type 4RH 250V 16A shaft ø 6x4.6mm shaft L 18mm shaft oval with knob connection male faston 6.3mm for dishwasher at 250V 16A at 400V 10A		
For models:	E-1000		

¹incl. knob

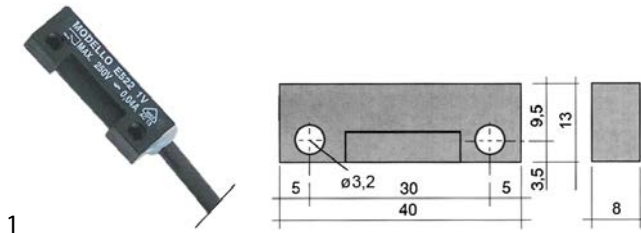
			
1			
Part No.	347471 ¹	Ref. No.	2309869
description	rotary switch 4 0-1-2-3 sets of contacts 4 type 4RH 400V 16A shaft ø 6x4.6mm shaft L 18mm shaft oval with knob connection male faston 6.3mm		
For models:	LV-1100, LV-1200		


¹incl. knob

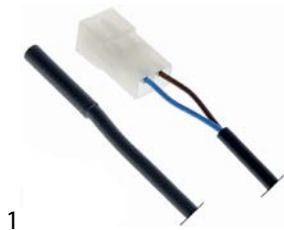


magnetic switches

40x13mm



Part No.	345504	Ref. No.	2050640 2050705 2319223
description	magnetic switch L 40mm W 13mm 1NO 250V 0.04A P max. 10W connection cable cable length 1000mm		
For models:	CA-300, CA-400, ES-100, ES-200, P-35, P-41, P-50, S-41, S-50, S-60, SA-3000, SA-5000, SAM-3000, SAM-3001, SAS-5000, SAS-6000, SL-18, SL-19, SL-19D, SL-20, SL-20D, SL-20E, SL-21, SL-21B, SL-21BD, SL-21D, SL-22, SL-22B, SL-22BD, SL-22D, SL-23, SL-23B, SL-23BP, SL-24, SL-290B, SL-300, SL-350B, SL-360, SL-550, SL-550B, SL-550BP, SL-560, SL-650C, SL-650C-USA, SL-800B, SL-810, SP-23, SP-23B, SP-290, SP-350...(Other models you can see in the webshop)		
accessories for	345504		
		Part No.	345399 Ref. No. —
	magnet \varnothing 3.3mm L 40mm H 8mm W 13mm hole distance 30mm M3		

 \varnothing 6mm

Part No.	347685 ¹	Ref. No.	2310471 2319434
description	magnetic switch 250V 0.04A P max. 10W probe L 29mm 1NO connection coded plug cable length 650mm		
For models:	CP-250, P-100, S-100, S-120, SC-1100, SC-1200, SL-1100B, SL-1100BP, SL-1200B, SL-1200BP, SL-900, X-100, X-120		

¹with coded connector

lamps

indicator lights

indicator lights (complete)

 \varnothing 9mm

Part No.	359754	Ref. No.	2309582
description	indicator lamps set \varnothing 9mm 230V red/green connection male faston 2.8mm		
For models:	E-1000, S-290, S-350, S-550, S-750, S-750A, SB-290, SB-350, SB-550, SB-750, SB-750A		

 \varnothing 13mm

with plug-in socket



Part No.	357053	Ref. No.	2309960
description	indicator lamps set \varnothing 13mm green/yellow/red 230V connection male faston 6.3mm cable length 250mm plug-in connection		
For models:	LV-1100, LV-1200		

26.5x25.6mm



Part No.	357097	Ref. No.	2306539
description	indicator light mounting measurements 27.8x25mm yellow 250V connection male faston 6.3mm		
For models:	LVT-19		

30x22mm




Part No.	357011	Ref. No.	2310401 2319316
description	indicator light mounting measurements 30x22mm 230V white connection male faston 6.3mm temp.-resist. 85°C type Marquardt 1667..		
For models:	P-50, SA-3000, SA-5000, SAM-3000, SAS-5000, SAS-6000, SC-1100, SC-1200, SL-20, SL-21, SL-21B, SL-23, SL-23B, SL-23BP, SL-290B, SL-350B, SL-550B, SL-550BP, SL-800B, SP-23, SP-23B, SP-290, SP-350, SP-550, SP-550B, SP-800, SV-20, SV-21, SV-21B		

timers

programme timers




Part No.	360710	Ref. No.	2319219
description	timer CDC 11803F1 engines 1 chambers 3 operation time 120s 230V shaft \varnothing 6mm shaft Lmm manuf. no. 11803F1ADE000.0020		
For models:	P-35, P-41		


1

Part No.	360434	Ref. No.	2310454 2319396
description	timer CDC 11804F engines 1 chambers 4 operation time 180s 230V shaft ømm shaft Lmm motor type M48R ATS		
For models:	P-50, SL-23, SL-23B, SL-23BP, SL-290B, SL-350B, SL-550B, SL-550BP, SP-23, SP-23B, SP-290, SP-350, SP-550, SP-550B		




1

Part No.	360727	Ref. No.	2310456
description	timer CDC 11804F1 engines 1 chambers 4 operation time 216s 230V 50/60Hz shaft ømm shaft Lmm manif. no. 11804F1AFE000.0000		
For models:	SL-290B, SL-300, SL-350B, SL-550B, SL-550BP, SP-290, SP-350		



1

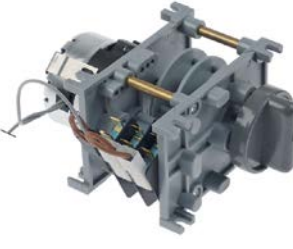
Part No.	360712	Ref. No.	2319257
description	timer CDC 11805F1 engines 1 chambers 5 operation time 120s 230V manif. no. 11805F1ADE000.0010		
For models:	P-41		



1

Part No.	360474 ¹	Ref. No.	2305037 2309206
description	timer CDC 4902F engines 1 chambers 2 operation time 180s 230V 50/60Hz shaft ø 6x4.6mm shaft L 23mm manif. no. 4902F1 motor type M48R ATS		
For models:	E-1000, S-550, S-750, S-750A, SB-550, SB-750, SB-750A		


¹incl. knob




1


Part No.	360587 ¹	Ref. No.	2309694
description	timer CDC 4903F engines 1 chambers 3 operation time 240s 230V shaft ø 6x4.6mm shaft L 23mm motor type M48R ATS type 4903F1 voltage AC		
For models:	E-18, E-19, E-300, S-23, S-290, S-350, SB-23, SB-290, SB-350		

¹incl. knob



1


Part No.	360142	Ref. No.	2309737
description	timer CDC 7803 engines 1 chambers 3 operation time 120s 230V shaft ømm shaft Lmm manif. no. 7803F1 / 360142 motor type M37RN		
For models:	S-20, S-21, SB-22		
spare parts for	360142		
	Part No.	360119	Ref. No. —
	motor CDC pinion ø 5.4mm teeth 12 230V turn direction right motor ø 37mm motor type M37RN for timer		




1


Part No.	360482	Ref. No.	4309181
description	timer CDC 7803 engines 1 chambers 3 operation time 120s 230V shaft ømm shaft Lmm motor type M37RN voltage AC		
For models:	LVT-18, LVT-18A, LVT-18H		



			
1			
Part No.	360497	Ref. No.	2306348
description	timer CDC 7805DV engines 2 chambers 5 operation time 6s/180s 230V 50Hz shaft ømm shaft Lmm manuf. no. 7805DV 4309 motor type M37RN/M37LN voltage AC		
For models:	LV-1100, LV-1200		

			
1			
Part No.	360531	Ref. No.	2310458
description	timer CDC 7807DV engines 2 chambers 7 operation time 6s / 3min 230V shaft ømm shaft Lmm motor type M37RN/M37LN voltage AC		
For models:	SC-1200, SL-800B, SP-800		


			
1			
Part No.	360472	Ref. No.	2310455
description	timer FIBER PWE engines 1 chambers 3 operation time 216s 230V shaft ømm shaft Lmm manuf. no. PWE5J03F411 motor type M51B-J0R00CL		

			
1			
Part No.	360486	Ref. No.	2309674
description	timer operation time 120s shaft ø 6x4.6mm shaft L 17mm CROUZET 50Hz 220V chambers 3 manuf. no. 633/4044		
For models:	LVT-19		

contactors

ABB


power contactors


			
1			
Part No.	381453	Ref. No.	2300135 2319447
description	power contactor resistive load 30A 100-250VAC (AC3/400V) 18A/7.5kW main contacts 4 connection screw type AF16-40-00-13		
For models:	S-100, S-120, SL-1100B, SL-1100BP, SL-1200B, SL-1200BP, SL-900, ST-1700, ST-2200, ST-3000, SV-6000S, SV-606CCS, SV-606CCT, SV-606S, SV-606T, SV-806LLS, SV-806LLT, SV-806S, SV-806T, SV-810LLS, SV-810LLT, SV-810S, SV-810T, V-821LLSG, V-821SG, V-821T, X-100, X-120		

relays

power relays

with bracket mounting

			
1			
Part No.	380139	Ref. No.	4301854
description	power relays FINDER 230VAC 16A 2CO connection F6.3 bracket mounting dimensions 68x38.2x35.8mm manuf. no. 62.82.8.230.0000		
For models:	E-300, S-20, SA-3000, SA-5000, SAM-3001, SC-1100, SC-1200, SL-23, SL-23B, SL-23BP, SL-290B, SL-300, SL-350B, SL-550B, SL-550BP, SL-800B, SP-290, SP-350, SP-550, SP-550B, SP-550BP, SP-800, ST-1400, ST-1700, ST-2200, ST-2800, ST-3000, ST-3500, V-401T, V-420T		

			
1			
Part No.	381198	Ref. No.	2310415
description	relay SCHRACK 230VAC 16A 3CO connection F6.3 manuf. no. RM705730		
For models:	SL-290B, SL-350B, SL-550B, SL-550BP, SP-550BP		



probes

producer-specific probes

probes			
1			
Part No.	378352	Ref. No.	2310459 2311663
description	temperature probe NTC 10kOhm cable silicone probe -40 up to +110°C cable -50 up to +180°C connection 2-wire thread M10 probe ø6x45mm cable length 1.1m		
For models:	P-100, S-50, S-60, SC-1100BP, SC-1200BP, SL-1100B, SL-1100BP, SL-1200B, SL-1200BP, SL-20D, SL-21BD, SL-21D, SL-22, SL-22B, SL-22BD, SL-22D, SL-24, SL-360, SL-550, SL-560, SL-650C, SL-650C-USA, SL-810, SL-900, ST, ST-1400, ST-1700, ST-2200, ST-2800, ST-3000, ST-3500, SU-600, SU-750, X-50, X-60, X-80		

electronics

PCBs

1			
Part No.	403309	Ref. No.	2319053
description	PCB dishwasher S-100/S-120/SC1100 L 140mm W 100mm Qty 1 pcs		
For models:	S-100, S-120, S-60, SC-1100BP, SC-1200BP, SL-1100B, SL-1100BP, SL-1200B, SL-1200BP, SL-650C, SL-650C-USA, SL-900, SU-600, SU-750, X-100, X-120, X-60		

1			
Part No.	403884	Ref. No.	2319233
description	PCB L 140mm W 80mm		
For models:	P-100, X-35, X-40, X-41, X-45		






solenoïd valves

solenoïd valves (water)


TP			
1			
Part No.	370015	Ref. No.	2304941 2309176 2310771
description	solenoïd valve single angled 230VAC inlet 3/4" outlet 11.5mm DN10 TP		
For models:	E-1000, LV-290, LV-350, LV-550, LV-750, LV-750A, P-100, P-50, S-50, S-60, SC-1100, SC-1100BP, SC-1200, SC-1200BP, SL-1100B, SL-1100BP, SL-1200B, SL-1200BP, SL-23, SL-23B, SL-23BP, SL-290B, SL-300, SL-350B, SL-360, SL-550, SL-550B, SL-550BP, SL-560, SL-650C, SL-650C-USA, SL-800B, SL-900, SP-550BP, SU-600, SU-750, X-45, X-50, X-60		
accessories for	370015		
		Part No.	371220 Ref. No. —
		reducer TP flow rate 3l/min red tolerance ±15%	
		Part No.	371221 Ref. No. —
		reducer TP flow rate 5.5l/min yellow tolerance ±15%	
		Part No.	371222 Ref. No. —
		reducer TP flow rate 6l/min grey tolerance ±15%	
		Part No.	371223 Ref. No. —
		reducer TP flow rate 10l/min white tolerance ±15%	
		Part No.	371224 Ref. No. —
		reducer TP flow rate 12l/min bronze tolerance ±15%	
		Part No.	371225 Ref. No. —
		reducer TP flow rate 16l/min light brown tolerance ±15%	
		Part No.	371226 Ref. No. —
		reducer TP flow rate 20l/min red tolerance ±15%	
		Part No.	371230 Ref. No. —
		reducer TP flow rate 0.25l/min red tolerance ±25%	
		Part No.	371231 Ref. No. —
		reducer TP flow rate 0.35l/min violet tolerance ±25%	
		Part No.	371232 Ref. No. —
		reducer TP flow rate 0.5l/min orange tolerance ±25%	
		Part No.	371233 Ref. No. —
		reducer TP flow rate 0.8l/min white tolerance ±25%	
		Part No.	371234 Ref. No. —
		reducer TP flow rate 1l/min light blue tolerance ±25%	
		Part No.	371235 Ref. No. —
		reducer TP flow rate 1.2l/min brown tolerance ±25%	


Table continues overleaf



accessories for		370015	
	Part No.	371236	Ref. No. —
reducer TP flow rate 1.5l/min light brown tolerance ±25%			
	Part No.	371237	Ref. No. —
reducer TP flow rate 2.5l/min yellow tolerance ±25%			
	Part No.	371238	Ref. No. —
reducer TP flow rate 3.4l/min dark green tolerance ±25%			
	Part No.	371239	Ref. No. —
reducer TP flow rate 5l/min black tolerance ±25%			
	Part No.	371240	Ref. No. —
reducer TP flow rate 8l/min blue tolerance ±20%			

solenoid valves with reducers

	1		
Part No.	370628	Ref. No.	2309744 2319241 8100265
description	solenoid valve double straight 230VAC inlet 3/4" input 16l/min DN10 TP plastic outlet 11.5mm		
For models:	LVT-18, LVT-18A, LVT-18H, LVT-19, S-21, S-23, S-41, S-50, SB-22, SB-23, SL-19D, SL-20, SL-20D, SL-21, SL-21B, SL-21BD, SL-21D, SL-22, SL-22B, SL-22BD, SL-22D, SL-23, SL-23B, SL-23BP, SL-360, SL-550, SL-560, SP-23, SP-23B, SV-18, SV-18H, SV-20, SV-21, SV-21B, X-35, X-40, X-41, X-50		


	1		
Part No.	370637	Ref. No.	2319201 4300580 4309157
description	solenoid valve single straight 230VAC inlet 3/4" outlet 11.5mm input 16l/min TP 11510P C plastic flow regulating valve inlet light brown 8VA		
For models:	E-18, E-19, E-300, LV-1100, LV-1200, M-25, M-25T, M-26, P-35, P-41, PI-30, S-20, S-290, S-350, S-550, S-750, S-750A, SB-290, SB-350, SB-550, SB-750, SB-750A, SL-18, SL-19, SL-20, SL-20E, SL-21, SL-21B, SL-24, SL-810, SP-290, SP-350, SP-550, SP-550B, SP-800, SV-18, SV-18H, SV-19, SV-20, SV-21, SV-21B, X-80		


pressure switches

for warewashing

ø 58mm with male faston 6.3mm

with connection horizontal

	1		
Part No.	541981	Ref. No.	2302816 2319354
description	pressure control pressure range 130/40mbar connection 6mm ø 58mm pressure connection horizontal warewashing pressure connection ø 5.5mm		
For models:	P-100, S-100, S-120, S-50, S-60, SC-1100, SC-1200, SL-1100B, SL-1100BP, SL-1200B, SL-1200BP, SL-300, SL-360, SL-550, SL-560, SL-650C-USA, SL-810, SL-900, ST, ST-1400, ST-1700, ST-2200, ST-2800, ST-3000, ST-3500, SU-600, SU-750, X-100, X-120, X-50, X-60		

	1		
Part No.	541302	Ref. No.	2302815 2319212
description	pressure control pressure range 40/15mbar connection 6mm ø 58mm pressure connection horizontal warewashing		
For models:	E-1000, E-18, E-19, E-300, LV-1100, LV-1200, LV-290, LV-350, LV-550, LV-750, LV-750A, LVT-18, LVT-18A, LVT-18H, P-35, P-41, P-50, S-20, S-21, S-23, S-290, S-350, S-41, S-50, S-550, S-60, S-750, S-750A, SB-22, SB-23, SB-290, SB-350, SB-550, SB-750, SB-750A, SL-18, SL-19, SL-19D, SL-20, SL-20D, SL-20E, SL-21, SL-21B, SL-21BD, SL-21D, SL-22, SL-22B, SL-22BD, SL-22D, SL-23...(Other models you can see in the webshop)		

pumps

wash and rinse pumps

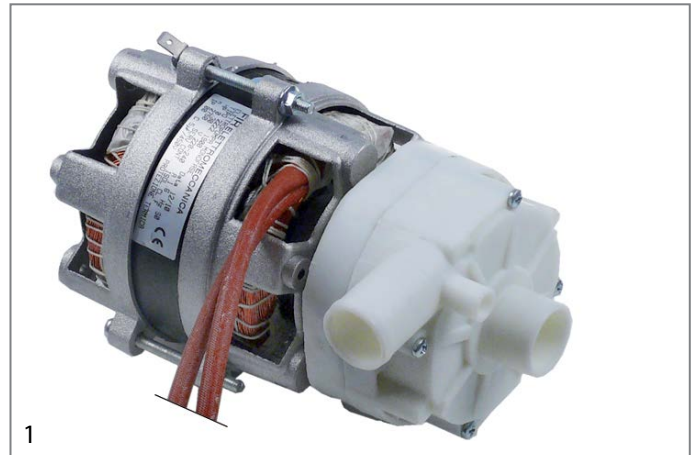
FIR

pumps



1

Part No.	499079	Ref. No.	2319221 4301828
description	pump inlet ø 28mm outlet ø 26mm type 2211.1610 220-240V 50Hz 1 phase 0.07kW 0.1HP rotation direction left capacitor 5µF FIR		
For models:	E-18, E-19, LVT-18, LVT-18A, LVT-18H, P-35, SL-18, SL-19, SL-19D, SL-650C, SV-18, SV-18H, SV-19, X-35		
spare parts for	499079		
	Part No.	365017	Ref. No. —
	operating capacitor capacity 5µF 450V tolerance 5% 50/60Hz ambient temperature max. -25 to +85°C ø 28mm L 54mm M8 plastic connection male faston 6.3mm 16.10.08 protection		
	Part No.	510384	Ref. No. —
	pump cover inlet ø 28mm outlet ø 26mm ø 100mm ID ø 76mm		
	Part No.	510695	Ref. No. —
	mechanical shaft seal height counter ring 5.5mm ID ø 11mm		
	Part No.	521203	Ref. No. —
	impellor ø 72mm H 18mm thread M7 shaft ø 11mm shaft length 32mm blades 3		
	Part No.	521703	Ref. No. —
	pump cover gasket EPDM thickness 2.5mm ID ø 75mm Qty 1 pcs		







1

Part No.	499090	Ref. No.	2305483 2319255
description	pump inlet ø 28mm outlet ø 26mm type 2222.1900 230V 50Hz 1 phase 0.22kW 0.3HP L 191mm rotation direction left capacitor 5µF FIR		
For models:	LVT-18H, P-41, SL-20, SL-20D, SL-20E, SL-21, SL-21B, SL-21BD, SL-21D, SL-22, SL-22B, SL-22BD, SL-22D, SV-18, SV-18H, X-40		
spare parts for	499090		
	Part No.	365017	Ref. No. —
	operating capacitor capacity 5µF 450V tolerance 5% 50/60Hz ambient temperature max. -25 to +85°C ø 28mm L 54mm M8 plastic connection male faston 6.3mm 16.10.08 protection		
	Part No.	510384	Ref. No. —
	pump cover inlet ø 28mm outlet ø 26mm ø 100mm ID ø 76mm		
	Part No.	510532	Ref. No. —
	impellor ø 72mm H 22mm shaft ø 11mm shaft length 32mm blades 3		
	Part No.	510695	Ref. No. —
	mechanical shaft seal height counter ring 5.5mm ID ø 11mm		
	Part No.	521703	Ref. No. —
	pump cover gasket EPDM thickness 2.5mm ID ø 75mm Qty 1 pcs		







1

Part No.	499171	Ref. No.	2307070 2309686 2319271
description	pump inlet \varnothing 30mm outlet \varnothing 30mm type 2240.1411 230V 50Hz 1 phase 0.24kW 0.33HP L 183mm rotation direction right capacitor 10 μ F FIR		
For models:	S-21, S-23, S-41, SB-22, SB-23, SL-20, SL-20D, SL-21, SL-21B, SL-21BD, SL-21D, SL-22, SL-22B, SL-22BD, SL-22D, SL-23, SL-23B, SL-23BP, SL-24, SP-23, SP-23B, SV-20, SV-21, SV-21B, X-41		
spare parts for	499171		
	Part No.	365015	Ref. No. —
	operating capacitor capacity 10 μ F 400V tolerance 5%Hz ambient temperature max. -25 to +85°C \varnothing 35.5mm L 59mm M8 plastic connection male faston 6.3mm protection		
	Part No.	510607	Ref. No. —
	impellor \varnothing 85mm H 29mm shaft intake \varnothing 9x8mm rotation direction right blades 6		
	Part No.	510695	Ref. No. —
	mechanical shaft seal height counter ring 5.5mm ID \varnothing 11mm		
	Part No.	521571	Ref. No. —
	pump cover FIR inlet \varnothing 30mm outlet \varnothing 30mm turn direction right \varnothing 128mm ID \varnothing 100mm inner height 21mm		
	Part No.	521701	Ref. No. —
	pump cover gasket		



1

Part No.	499188	Ref. No.	2304290 2319385
description	pump inlet \varnothing 45mm outlet \varnothing 40mm type 2256V1425 230V 50Hz 1 phase 0.75kW 1HP L 235mm rotation direction right capacitor 16 μ F FIR		
For models:	SL-650C, SL-800B, SL-810, SP-800, X-80		
spare parts for	499188		
	Part No.	365021	Ref. No. —
	operating capacitor capacity 16 μ F 425V tolerance 5% 50/60Hz ambient temperature max. -25 to +85°C \varnothing 35mm L 73mm single M8 plastic connection male faston 6.3mm 416.10.99 protection		
	Part No.	499188	Ref. No. 2304290 2319385
	pump inlet \varnothing 45mm outlet \varnothing 40mm type 2256V1425 230V 50Hz 1 phase 0.75kW 1HP L 235mm rotation direction right capacitor 16 μ F FIR		
	Part No.	510529	Ref. No. —
	impellor \varnothing 103mm H 30mm shaft intake \varnothing 9/8mm rotation direction right blades 6		
	Part No.	510692	Ref. No. —
	mechanical shaft seal for shaft \varnothing 11mm slide ring ext. \varnothing 24mm slide ring H 13mm counter ring mounting \varnothing 26mm height counter ring 8mm counter ring int. \varnothing 14mm		
	Part No.	521539	Ref. No. —
	pump cover FIR inlet \varnothing 45mm outlet \varnothing 40mm auxiliary pressure connection 10mm supporting pressure open turn direction right \varnothing 160mm ID \varnothing 125mm inner height 25mm		
	Part No.	521702	Ref. No. —
	pump cover gasket thickness 3.5x4.5mm Qty 1 pcs		








1







Part No.	499189	Ref. No.	2305057 2319347
description	pump inlet ø 45mm outlet ø 40mm type 3911.1428 230V 50Hz 1 phase 0.55kW 0.75HP L 211mm rotation direction right capacitor 12.5µF FIR		
For models:	LV-550, LV-750, S-60, SL-290B, SL-350B, SL-360, SL-550, SL-550B, SL-550BP, SL-560, SP-290, SP-350, SP-550, SP-550B, X-60		
spare parts for	499189		
	Part No.	365014	Ref. No. —
	operating capacitor capacity 12.5µF 450V tolerance 5%Hz ambient temperature max. -25 to +85°C ø 35mm L 70mm M8 plastic connection male faston 6.3mm 45S.C3DS.12.5 protection		
	Part No.	510508	Ref. No. —
	pump cover FIR inlet ø 45mm outlet ø 40mm pump type PU 0.5/3911 turn direction right ø 160mm ID ø 125mm inner height 25mm		
	Part No.	510610	Ref. No. 2309577
	impellor ø 95.5mm H 23mm shaft intake ø 9/8mm rotation direction right seat ø 16mm blades 6		
	Part No.	510692	Ref. No. —
	mechanical shaft seal for shaft ø 11mm slide ring ext. ø 24mm slide ring H 13mm counter ring mounting ø 26mm height counter ring 8mm counter ring int. ø 14mm		
	Part No.	521702	Ref. No. —
	pump cover gasket thickness 3.5x4.5mm Qty 1 pcs		



1

Part No.	499043	Ref. No.	2305895 2309532 2319334
description	pump inlet ø 45mm outlet ø 40mm type 3983.1409 230V 50Hz 1 phase 0.37kW 0.51HP L 205mm rotation direction right capacitor 12.5µF FIR incl. capacitor		
For models:	E-300, P-50, S-290, S-350, S-50, SB-290, SB-350, SL-290B, SL-300, SL-350B, SL-360, SL-550, SL-550B, SL-550BP, SL-560, SP-290, SP-350, SP-550, SP-550B, X-45, X-50		
spare parts for	499043		
	Part No.	365014	Ref. No. —
	operating capacitor capacity 12.5µF 450V tolerance 5%Hz ambient temperature max. -25 to +85°C ø 35mm L 70mm M8 plastic connection male faston 6.3mm 45S.C3DS.12.5 protection		
	Part No.	510607	Ref. No. —
	impellor ø 85mm H 29mm shaft intake ø 9x8mm rotation direction right blades 6		
	Part No.	510692	Ref. No. —
	mechanical shaft seal for shaft ø 11mm slide ring ext. ø 24mm slide ring H 13mm counter ring mounting ø 26mm height counter ring 8mm counter ring int. ø 14mm		
	Part No.	521539	Ref. No. —
	pump cover FIR inlet ø 45mm outlet ø 40mm auxiliary pressure connection 10mm supporting pressure open turn direction right ø 160mm ID ø 125mm inner height 25mm		
	Part No.	521702	Ref. No. —
	pump cover gasket thickness 3.5x4.5mm Qty 1 pcs		





Part No.	499091	Ref. No.	2307820 2309840 2319462
description	pump inlet \varnothing 60mm outlet \varnothing 47mm type 2233S1500 230V 50Hz 1 phase 0.89kW 1.22HP L 251mm rotation direction right capacitor 16 μ F FIR		
For models:	LV-1100, S-100, S-120, SC-1100, SL-1100B, SL-1100BP, SL-1200B, SL-1200BP, SL-900, X-100, X-120		
spare parts for	499091		
	Part No.	365021	Ref. No. —
	operating capacitor capacity 16 μ F 425V tolerance 5% 50/60Hz ambient temperature max. -25 to +85°C \varnothing 35mm L 73mm single M8 plastic connection male faston 6.3mm 416.10.99 protection		
	Part No.	501603	Ref. No. —
	fanwheel cover \varnothing 150mm ID \varnothing 75mm for 499091		
	Part No.	510552	Ref. No. —
	pump cover gasket pump type 1292-2/3942/3981/3911/3983		
	Part No.	510693	Ref. No. —
	mechanical shaft seal for shaft \varnothing 12mm slide ring ext. \varnothing 24mm slide ring H 15.5mm slide ring int. \varnothing 11mm counter ring mounting \varnothing 24mm height counter ring 8mm counter ring int. \varnothing 13.5mm		
	Part No.	521067	Ref. No. 2309841
	service kit for pump type 2233S1500 impellor, pump cover gasket, mechanical shaft seal		
	Part No.	521512	Ref. No. —
	pump cover FIR inlet \varnothing 60mm outlet \varnothing 50mm		



Part No.	499187	Ref. No.	2310641 2319464
description	pump inlet \varnothing 63mm outlet \varnothing 47mm type 1226.2530 230/400V 50Hz 3 phase 1.5kW 2HP L 335mm rotation direction right FIR		
For models:	S-100, S-120, SC-1200, SL-1100B, SL-1100BP, SL-1200B, SL-1200BP, SL-900, X-100, X-120		

booster pumps I

	Part No.	500359	Ref. No.	2304293 2319400 2319442
	description pump inlet \varnothing 12 outlet \varnothing 12 type PPL46DX 230V 50Hz 0.33kW capacitor 10 μ F LGB			
	For models: SC-1100BP, SC-1200BP, SL-1100B, SL-1100BP, SL-1200B, SL-1200BP, SL-23, SL-23B, SL-23BP, SL-290B, SL-350B, SL-550B, SL-550BP, SL-900, SP-550BP, SU-600, SU-750			
	spare parts for 500359			
	Part No.	698663	Ref. No.	—
	impellor \varnothing 60mm H 12mm with flute shaft intake \varnothing 12mm W 60mm suitable for LGB			
	accessories for 500359			
	Part No.	365015	Ref. No.	—
	operating capacitor capacity 10 μ F 400V tolerance 5%Hz ambient temperature max. -25 to +85°C \varnothing 35.5mm L 59mm M8 plastic connection male faston 6.3mm protection			




drain pumps

GRE




1

Part No.	500961	Ref. No.	4309102 old version
description	drain pump inlet \varnothing 30mm outlet \varnothing 23mm 100W 230V 50Hz GRE		
accessories for	500961		
	Part No.	524719	Ref. No. 2310294 (old Version)
	formed hose hose ext. \varnothing 40mm hose int. \varnothing 30mm L 65mm warewashing black Qty 1		

HANNING



1

Part No.	499044	Ref. No.	4309102
description	drain pump 65W 230V inlet \varnothing 22mm outlet \varnothing 24mm 50Hz type BE20B2-089 HANNING with accessories		
For models:	P-41, P-50, S-23, S-290, S-350, S-41, S-50, S-550, S-60, S-750, S-750A, SB-22, SB-23, SB-290, SB-350, SB-550, SB-750, SB-750A, SL-20, SL-20D, SL-21, SL-21B, SL-21BD, SL-21D, SL-22, SL-22B, SL-22BD, SL-22D, SL-23, SL-23B, SL-23BP, SL-290B, SL-350B, SL-550B, SL-550BP, SL-650C, SL-800B, SL-810, SP-23, SP-23B, SP-290, SP-350, SP-550, SP-550B, SP-800, SV-20, SV-21, SV-21B, X-40, X-41...(Other models you can see in the webshop)		
spare parts for	499044		
	Part No.	530426	Ref. No. 2310294
	formed hose L 66mm		

fuses

fine fuses



1

Part No.	358600	Ref. No.	2140423 2149131
description	fine fuse size \varnothing 5x20mm 1A slow-acting rated 250V Qty 10 pcs		
For models:	ST-1400, ST-1700, ST-2200, ST-2800, ST-3000, ST-3500, SV-604CCS, SV-604CCT, SV-604S, SV-604T, SV-606CCS, SV-606CCT, SV-606S, SV-606T, SV-806LLS, SV-806LLT, SV-806S, SV-806T, SV-810LLS, SV-810LLT, SV-810S, SV-810T, V-401SGA, V-401T, V-402SG, V-402T, V-410SG, V-410T, V-420SA, V-420SGA, V-420T, V-421SG, V-421T, V-425SGA, V-426SG, V-426T, V-640SA, V-640SGA, V-640T, V-641SG, V-641SGA, V-641T, V-820LLSGA, V-820SGA, V-820T, V-821LLSG, V-821SG, V-821T		

fine fuse holders



1

Part No.	358016	Ref. No.	2140280 2319232
description	fuse holder suitable fuse \varnothing 5x20mm \varnothing 14mm 4A rated 250V L 52mm W 15mm connection F6.3		
For models:	P-100, S-100, S-120, S-41, S-50, S-60, SAM-3001, SAS-5001, SAS-6001, SC-1100BP, SC-1200BP, SL-1100B, SL-1100BP, SL-1200B, SL-1200BP, SL-19D, SL-20, SL-20D, SL-21, SL-21B, SL-21BD, SL-21D, SL-22, SL-22B, SL-22BD, SL-22D, SL-24, SL-290B, SL-350B, SL-360, SL-550, SL-550B, SL-550BP, SL-560, SL-650C, SL-810, SL-900, X-100, X-120, X-35, X-40, X-41, X-45, X-50, X-60, X-80		

equipmentspecific units

for dishwashers

drain and intake components

SAMMIC

drain /intake bodies



1

Part No.	517351	Ref. No.	2309134
description	connection angle set thread 1½" hose \varnothing 33mm		
For models:	E-1000, E-300, LV-1100, LV-1200		



1

Part No.	517350	Ref. No.	2309116
description	drain fitting complete thread 1½" ED \varnothing 66mm ID \varnothing 39mm		
For models:	E-1000, E-300, LV-1100, LV-1200		



1

Part No.	524708	Ref. No.	2310692
description	intake body ED \varnothing 86mm hose \varnothing 30mm		
For models:	P-100, P-35, S-100, S-120, SC-1100, SC-1200, SL-1100B, SL-1100BP, SL-1200B, SL-1200BP, SL-18, SL-19, SL-19D, SL-20E, SL-900, SP-23, SP-23B, SP-290, SP-350, SP-550, SP-550B, SP-800, SU-600, SU-750, SV-20, SV-21, SV-21B, X-100, X-120, X-35		



1

Part No.	524706	Ref. No.	2313203 2319265
description	intake body H 120mm outlet \varnothing 44.5 outlet 2 \varnothing 30		
For models:	P-41, P-50, S-41, S-50, S-60, SL-20, SL-20D, SL-21, SL-21B, SL-21BD, SL-21D, SL-22, SL-22B, SL-22BD, SL-22D, SL-23, SL-23B, SL-23BP, SL-24, SL-290B, SL-300, SL-350B, SL-360, SL-550, SL-550B, SL-550BP, SL-560, SL-650C, SL-650C-USA, SL-800B, SL-810, X-40, X-41, X-45, X-50, X-60, X-80		



1

Part No.	524731	Ref. No.	2313202 2319264
description	opposite support \varnothing 124mm for drain assembly		
For models:	P-41, P-50, S-41, S-50, S-60, SL-20, SL-20D, SL-21, SL-21B, SL-21BD, SL-21D, SL-22, SL-22B, SL-22BD, SL-22D, SL-23, SL-23B, SL-23BP, SL-24, SL-290B, SL-300, SL-350B, SL-360, SL-550, SL-550B, SL-550BP, SL-560, SL-650C, SL-650C-USA, SL-800B, SL-810, X-40, X-41, X-45, X-50, X-60, X-80		



1

Part No.	518188	Ref. No.	2310753
description	O-ring set EPDM thickness 3/4mm ID \varnothing 46/74mm		
For models:	SC-1100, SC-1200, SU-600, SU-750		

filters



1

Part No.	517345	Ref. No.	2310241 2319263
description	filter for drain assembly \varnothing 59mm H 50mm		
For models:	P-100, P-41, P-50, S-100, S-120, S-41, S-50, S-60, SC-1100, SC-1200, SL-1100B, SL-1100BP, SL-1200B, SL-1200BP, SL-20, SL-20D, SL-21, SL-21B, SL-21BD, SL-21D, SL-22, SL-22B, SL-22BD, SL-22D, SL-23, SL-23B, SL-23BP, SL-290B, SL-350B, SL-360, SL-550, SL-550B, SL-550BP, SL-560, SL-650C, SL-650C-USA, SL-800B, SL-810, SL-900, SP-23, SP-23B, SP-290, SP-350, SP-550, SP-550B, SU-600, SU-750, SV-20, SV-21, SV-21B... (Other models you can see in the webshop)		



1

Part No.	519528	Ref. No.	2310636
description	intake filter for dishwasher H 100mm L 160mm W 105mm		
For models:	SC-1100, SC-1200		



1

Part No.	524745	Ref. No.	2302035
description	intake filter for dishwasher H 49mm L 100mm W 100mm		
For models:	E-19, LVT-19, S-20, S-21, ST-1400, ST-1700, ST-2200, ST-2800, ST-3000, ST-3500, SV-19		



1

Part No.	524729	Ref. No.	2313201 2319259
description	intake filter \varnothing 101mm H 130mm		
For models:	P-41, P-50, S-41, S-50, S-60, SL-20, SL-20D, SL-21, SL-21B, SL-21BD, SL-21D, SL-22, SL-22B, SL-22BD, SL-22D, SL-23, SL-23B, SL-23BP, SL-24, SL-290B, SL-300, SL-350B, SL-360, SL-550, SL-550B, SL-550BP, SL-560, SL-650C, SL-650C-USA, SL-800B, SL-810, X-40, X-41, X-45, X-50, X-60, X-80		




1


Part No.	524749	Ref. No.	2313128
description	intake filter \varnothing 61mm L 90mm		
For models:	P-35, SL-18, SL-19, SL-19D, SL-20E, X-35		





			
1			
Part No.	517706	Ref. No.	2313200 2319262
description	round filters ø 145mm H 84mm plastic hole ø 46mm		
For models:	P-41, P-50, S-41, S-50, S-60, SL-20, SL-20D, SL-21, SL-21B, SL-21BD, SL-21D, SL-22, SL-22B, SL-22BD, SL-22D, SL-23, SL-23B, SL-23BP, SL-24, SL-290B, SL-300, SL-350B, SL-360, SL-550, SL-550B, SL-550BP, SL-560, SL-650C, SL-650C-USA, SL-800B, SL-810, X-40, X-41, X-45, X-50, X-60, X-80		


overflow pipes


			
1			
Part No.	524377	Ref. No.	2307807
description	overflow pipe L 130mm ø 40mm		
For models:	LV-1100, LV-1200		


			
1			
Part No.	524277	Ref. No.	4301655
description	overflow pipe L 138mm ø 32mm		
For models:	E-18, LVT-18, LVT-18A, LVT-18H, SV-18, SV-18H		


			
1			
Part No.	524744	Ref. No.	2305064
description	overflow pipe L 140mm ø 40mm		
For models:	E-300, LV-290, LV-350, LV-550, LV-750, LV-750A, SP-23, SP-23B, SV-20, SV-21, SV-21B		


			
1			
Part No.	517353	Ref. No.	2306041
description	overflow pipe L 147mm plastic ID ø 32mm ED ø 40mm thickness 3mm		
For models:	E-1000		

			
1			
Part No.	524703	Ref. No.	2310332
description	overflow pipe L 155mm ø 40mm		
For models:	SP-290, SP-350, SP-550, SP-550B, SP-800		

			
1			
Part No.	524743	Ref. No.	2307517 2310130
description	overflow pipe L 165mm ø 40mm		
For models:	S-23, S-290, S-350, S-550, S-750, S-750A, SB-22, SB-23, SB-290, SB-350, SB-550, SB-750, SB-750A, SV-20, SV-21, SV-21B		

			
1			
Part No.	524742	Ref. No.	2313206 2319251
description	overflow pipe L 185mm ø 40mm		
For models:	P-41, S-41, SL-20, SL-20D, SL-21, SL-21B, SL-23, SL-23B, SL-23BP, SL-24, X-40, X-41		

			
1			
Part No.	524704	Ref. No.	2313207 2319307
description	overflow pipe L 194mm ø 40mm		
For models:	P-50, S-50, S-60, SL-290B, SL-350B, SL-360, SL-550, SL-550B, SL-550BP, SL-560, SL-800B, SL-810, X-45, X-50, X-60, X-80		

			
1			
Part No.	524741	Ref. No.	2313208 2319440
description	overflow pipe L 300mm ø 40mm		
For models:	P-100, S-100, S-120, SL-1100B, SL-1100BP, SL-1200B, SL-1200BP, SL-900, X-100, X-120		



1

Part No.	524740	Ref. No.	2310615
description	overflow pipe L 340mm ø 40mm plastic ID ø 34mm		
For models:	SC-1100, SC-1200		



1

Part No.	517705	Ref. No.	2310967
description	overflow pipe L 393mm ø 40mm plastic ID ø 34mm		
For models:	SU-600, SU-750		



1

Part No.	524714	Ref. No.	2306557 2313977 2319218
description	overflow pipe L 99mm ø 25mm		
For models:	E-19, LVT-19, P-35, S-20, S-21, SL-18, SL-19, SL-19D, SL-20E, SV-19, X-35		



1

Part No.	524713	Ref. No.	2310242 2310419 2319261
description	overflow stock L 24mm seat ø 40mm for overflow pipe		
For models:	P-100, P-41, P-50, S-100, S-120, S-41, S-50, S-60, SC-1100, SC-1200, SL-1100B, SL-1100BP, SL-1200B, SL-1200BP, SL-20, SL-20D, SL-21, SL-21B, SL-21BD, SL-21D, SL-22, SL-22B, SL-22BD, SL-22D, SL-23, SL-23B, SL-23BP, SL-24, SL-290B, SL-300, SL-350B, SL-360, SL-550, SL-550B, SL-550BP, SL-560, SL-800B, SL-810, SL-900, SP-23, SP-23B, SP-290, SP-350, SP-550, SP-550B, SP-800, SU-600, SU-750, SV-20, SV-21...(Other models you can see in the webshop)		



1

Part No.	524718	Ref. No.	2309654
description	overflow stock L 48mm seat ø 25mm for overflow pipe		
For models:	E-19, LVT-19, P-35, S-20, S-21, SL-18, SL-19, SL-19D, SL-20E, SV-19, X-35		

boilers

boilers for dishwashers



1

Part No.	524699	Ref. No.	2310217
description	boiler ø 130mm L 330mm inlet ø 12mm		
For models:	SP-23, SP-23B, SV-19, SV-20, SV-21, SV-21B		



1

Part No.	524700	Ref. No.	2313021
description	boiler ø 135mm L 330mm inlet ø 12mm		
For models:	P-41, S-41, SL-19, SL-19D, SL-20, SL-20D, SL-21, SL-21B, SL-21BD, SL-21D, SL-22, SL-22B, SL-22BD, SL-22D, SL-23, SL-23B, SL-23BP, SL-24, X-35, X-40, X-41		



1

Part No.	524702	Ref. No.	2310316
description	boiler ø 170mm L 460mm inlet ø 12		
For models:	SC-1100, SP-550, SP-550B, SP-800		




1

Part No.	524701	Ref. No.	2313447
description	boiler ø 175mm L 450mm inlet ø 12mm		
For models:	P-100, S-100, S-50, SL-1100B, SL-1100BP, SL-350B, SL-550, SL-550B, SL-550BP, SL-800B, X-100, X-50, X-80		



hood mechanics for dishwashers

hood handle supports



1

Part No.	511697	Ref. No.	2310669
description	guide for hood handle mounting pos. right/left L 90mm W 56mm H 61mm set		
For models:	SC-1100, SC-1200		


rollers



1

Part No.	517714	Ref. No.	2309897
description	roller set ϕ 31mm H 20mm for hood mechanics with guide plastic black hole ϕ 12mm		
For models:	E-1000, LV-1100, LV-1200, P-100, S-100, S-120, SC-1100, SC-1200, SL-1100B, SL-1100BP, SL-1200B, SL-1200BP, SL-900, X-100, X-120		

miscellaneous




1

Part No.	517719	Ref. No.	2310608 2319431
description	spare parts kit for spring L 137mm W 38mm		
For models:	P-100, S-100, S-120, SC-1100, SC-1200, SL-1100B, SL-1100BP, SL-1200B, SL-1200BP, SL-900, X-100, X-120		


air traps

air traps




1

Part No.	524278	Ref. No.	4309244
description	air trap L 400mm ϕ 8mm hose ϕ 5.5mm plastic		
For models:	E-18, LVT-18, LVT-18A, LVT-18H, SV-18, SV-18H		




1

Part No.	524732	Ref. No.	2309693
description	air trap ϕ 44mm H 56mm thread M8x1.25 hose ϕ 6mm plastic		
For models:	E-19, LVT-19, P-100, S-100, S-120, S-20, S-21, S-23, SB-22, SB-23, SL-1100B, SL-1100BP, SL-1200B, SL-1200BP, SL-900, SP-23, SP-23B, SV-19, SV-20, SV-21, SV-21B, X-100, X-120		




1

Part No.	517354	Ref. No.	2309899
description	air trap ϕ 44mm H 82mm thread M8 hose ϕ 5.5mm plastic		
For models:	E-1000		



1

Part No.	510688	Ref. No.	2309200
description	air trap set ϕ 44mm H 139mm thread M8x1.25 hose ϕ 6.3mm plastic		
For models:	E-300, LV-1100, LV-1200, S-290, S-350, S-550, S-750, S-750A, SB-290, SB-350, SB-550, SB-750, SB-750A, SC-1100, SC-1200, SL-1100B, SL-1100BP, SL-1200B, SL-1200BP, SL-900, SP-290, SP-350, SP-550, SP-550B, SP-800, ST, ST-1400, ST-1700, ST-2200, ST-2800, ST-3000, ST-3500, SU-600, SU-750		



1

Part No.	524750	Ref. No.	2313131
description	air trap set ϕ 44mm H 49mm thread M8x1.25 hose ϕ 6.5mm plastic		
For models:	P-35, P-41, P-50, S-41, S-50, S-60, SL-18, SL-19, SL-19D, SL-20, SL-20D, SL-20E, SL-21, SL-21B, SL-21BD, SL-21D, SL-22, SL-22B, SL-22BD, SL-22D, SL-23, SL-23B, SL-23BP, SL-24, SL-290B, SL-300, SL-350B, SL-360, SL-550, SL-550B, SL-550BP, SL-560, SL-650C, SL-650C-USA, SL-800B, SL-810, X-35, X-40, X-41, X-45, X-50, X-60, X-80		



backflow preventers

backflow preventers



1

Part No.	524754	Ref. No.	2307503
description	backflow preventer L-shape hose ø 29mm		
For models:	P-50, S-100, S-120, S-23, S-290, S-350, S-41, S-50, S-550, S-60, S-750, S-750A, SB-22, SB-23, SB-290, SB-350, SB-550, SB-750, SB-750A, SC-1100, SC-1200, SL-1100B, SL-1100BP, SL-1200B, SL-1200BP, SL-20, SL-20D, SL-21, SL-21B, SL-21BD, SL-21D, SL-22, SL-22B, SL-22BD, SL-22D, SL-23, SL-23B, SL-23BP, SL-290B, SL-350B, SL-550B, SL-550BP, SL-650C, SL-650C-USA, SL-800B, SL-900, SP-23, SP-23B, SP-290, SP-350...(Other models you can see in the webshop)		

door mechanics

linkage



1

Part No.	524716	Ref. No.	2309224 2319278
description	door pin L 320mm thread M4 set ø 4mm		
For models:	E-300, P-41, P-50, S-23, S-290, S-350, S-41, S-50, S-550, S-60, S-750, S-750A, SB-23, SB-290, SB-350, SB-550, SB-750, SB-750A, SL-23, SL-23B, SL-23BP, SL-24, SL-290B, SL-300, SL-350B, SL-360, SL-550, SL-550B, SL-550BP, SL-560, SL-650C, SL-650C-USA, SL-800B, SL-810, SP-23, SP-23B, SP-290, SP-350, SP-550, SP-550B, SP-800, X-41, X-45, X-50, X-60, X-80		

hinges



1

Part No.	517715	Ref. No.	2313134
description	door hinge with bolt mounting pos. left/right ø 8mm L 72mm		
For models:	P-35, SL-18, SL-19, SL-19D, SL-20, SL-20D, SL-20E, SL-21, SL-21B, SL-21BD, SL-21D, SL-22, SL-22B, SL-22BD, SL-22D, SL-24, SL-300, SL-360, SL-550, SL-560, SL-650C, SL-650C-USA, X-35, X-40		



1

Part No.	694538	Ref. No.	2309212
description	hinge L 72mm W 25mm mounting pos. left/right set for dishwasher Qty 1 pcs		
For models:	E-19, E-300, LVT-19, S-20, S-21, S-23, S-290, S-350, S-550, S-750, S-750A, SB-22, SB-23, SB-290, SB-350, SB-550, SB-750, SB-750A, SP-23, SP-23B, SP-290, SP-350, SP-550, SP-550B, SP-800, SV-19, SV-20, SV-21, SV-21B		

door magnets



1

Part No.	694539	Ref. No.	2310470 2319222
description	door magnet L 63mm W 7.5mm H 19mm mounting distance 52mm		
For models:	P-35, P-41, P-50, S-41, S-50, S-60, SL-18, SL-19, SL-19D, SL-20, SL-20D, SL-20E, SL-21, SL-21B, SL-21BD, SL-21D, SL-22, SL-22B, SL-22BD, SL-22D, SL-23, SL-23B, SL-23BP, SL-24, SL-290B, SL-300, SL-350B, SL-360, SL-550, SL-550B, SL-550BP, SL-560, SL-650C, SL-650C-USA, SL-800B, SL-810, SP-23, SP-23B, SP-290, SP-350, SP-550, SP-550B, SP-800, SV-19, SV-20, SV-21, SV-21B, X-35, X-40, X-41...(Other models you can see in the webshop)		

door bumpers



1

Part No.	511698	Ref. No.	2309566
description	door bumper set ø 15mm H 24mm mounting pos. left/right plastic		
For models:	E-300, P-41, P-50, S-23, S-290, S-350, S-41, S-50, S-550, S-60, S-750, S-750A, SB-23, SB-290, SB-350, SB-550, SB-750, SB-750A, SL-23, SL-23B, SL-23BP, SL-24, SL-290B, SL-300, SL-350B, SL-360, SL-550, SL-550B, SL-550BP, SL-560, SL-650C, SL-650C-USA, SL-800B, SL-810, SP-23, SP-23B, SP-290, SP-350, SP-550, SP-550B, SP-800, X-41, X-45, X-50, X-60, X-80		

locks



1

Part No.	700991	Ref. No.	2309122
description	snap lock flange length 70mm flange width 22mm		
For models:	E-19, E-300, LVT-19, P-35, P-41, P-50, S-20, S-21, S-23, S-290, S-350, S-41, S-50, S-550, S-60, S-750, S-750A, SB-22, SB-23, SB-290, SB-350, SB-550, SB-750, SB-750A, SL-18, SL-19, SL-19D, SL-20, SL-20D, SL-21, SL-21B, SL-21BD, SL-21D, SL-22, SL-22B, SL-22BD, SL-22D, SL-23, SL-23B, SL-23BP, SL-24, SL-290B, SL-350B, SL-360, SL-550, SL-550B, SL-550BP, SL-560, SL-650C, SL-650C-USA...(Other models you can see in the webshop)		



washing and rinsing systems



Part No.	524756	Ref. No.	2310708
description	bush for wash arm boss thickness 1.6mm H 15mm D1 ø 21mm D2 ø 15mm ID ø 12mm Qty 4 pcs		
For models:	SC-1100, SC-1200, SP-23, SP-23B, SP-290, SP-350, SP-550, SP-550B, SP-800, SV-18, SV-18H, SV-19, SV-20, SV-21, SV-21B		



Part No.	524737	Ref. No.	2313127
description	rinse arm support mounting pos. upper H 21mm L 45mm hose ø 13mm		
For models:	P-35, P-41, SL-18, SL-19, SL-19D, SL-20, SL-20D, SL-20E, SL-21, SL-21B, SL-21BD, SL-21D, SL-22, SL-22B, SL-22BD, SL-22D, X-35, X-40		

washing and rinsing systems (sorted by producer)

SAMMIC



Part No.	524045	Ref. No.	2313274 2319294
description	wash and rinse arm mounting pos. upper/lower wash arm L 455mm rinse arm L 460mm w. jets 12 r. jets 6 mounting ø 12/45mm H 53mm L 460mm W 455mm		
For models:	SL-290B, X-45		

Part No.	517712	Ref. No.	2313126
-----------------	--------	-----------------	---------



end cap for wash arm ø 23mm H 15mm Qty 4 pcs



Part No.	517713	Ref. No.	2313125
-----------------	--------	-----------------	---------

rinse jet set



Part No.	524044	Ref. No.	2313342 2319310
description	wash and rinse arm mounting pos. upper/lower wash arm L 500mm rinse arm L 500mm w. jets 12 r. jets 6 mounting ø 12/45mm		

For models:	P-100, P-50, S-100, S-50, S-60, SL-1100B, SL-1100BP, SL-1200B, SL-1200BP, SL-300, SL-350B, SL-550, SL-550B, SL-550BP, SL-650C, SL-650C-USA, SL-800B, SL-810, SL-900, X-100, X-50, X-60, X-80		
--------------------	--	--	--

Part No.	517712	Ref. No.	2313126
description	end cap for wash arm ø 23mm H 15mm Qty 4 pcs		



Part No.	524748	Ref. No.	2313182
description	wash and rinse arm wash arm L 385mm rinse arm L 400mm w. jets 9 r. jets 4 mounting ø 20/33mm mounting pos. upper		
For models:	SL-20, SL-20D, SL-21, SL-21B, SL-21BD, SL-21D, SL-22, SL-22B, SL-22BD, SL-22D, SL-23, SL-23B, SL-23BP		



Part No.	524723	Ref. No.	2313178 2319252
description	wash and rinse arm wash arm L 400mm rinse arm L 400mm w. jets 9 r. jets 5 mounting ø 21/45mm mounting pos. lower		
For models:	P-41, S-41, SL-20, SL-20D, SL-20E, SL-21, SL-21B, SL-21BD, SL-21D, SL-22, SL-22B, SL-22BD, SL-22D, SL-23, SL-23B, SL-23BP, X-40, X-41		



Part No.	517707	Ref. No.	2313223 2319204
description	wash arm mounting pos. upper wash arm L 355mm rinse arm L 365mm w. jets 8 r. jets 5		
For models:	P-35, SL-18, SL-19, SL-19D, X-35		



1

Part No.	517712	Ref. No.	2313126
description	end cap for wash arm \varnothing 23mm H 15mm Qty 4 pcs		
For models:	P-100, P-35, P-41, P-50, S-100, S-120, S-41, S-50, S-60, SL-1100B, SL-1100BP, SL-1200B, SL-1200BP, SL-18, SL-19, SL-19D, SL-20, SL-20D, SL-20E, SL-21, SL-21B, SL-21BD, SL-21D, SL-22, SL-22B, SL-22BD, SL-22D, SL-23, SL-23B, SL-23BP, SL-24, SL-290B, SL-300, SL-350B, SL-360, SL-550, SL-550B, SL-550BP, SL-560, SL-650C, SL-650C-USA, SL-800B, SL-810, SL-900, X-100, X-120, X-35, X-40, X-41, X-45...(Other models you can see in the webshop)		



1

Part No.	517713	Ref. No.	2313125
description	rinse jet set		
For models:	P-100, P-35, P-41, P-50, S-120, S-41, S-50, S-60, SL-1100B, SL-1100BP, SL-1200B, SL-1200BP, SL-18, SL-19, SL-19D, SL-20, SL-20D, SL-20E, SL-21, SL-21B, SL-21BD, SL-21D, SL-22, SL-22B, SL-22BD, SL-22D, SL-23, SL-23B, SL-23BP, SL-24, SL-290B, SL-300, SL-350B, SL-360, SL-550, SL-550B, SL-550BP, SL-560, SL-650C, SL-650C-USA, SL-800B, SL-810, SL-900, X-120, X-35, X-40, X-41, X-45, X-50, X-60...(Other models you can see in the webshop)		



1

Part No.	524730	Ref. No.	2313211
description	wash arm boss mounting pos. upper/lower mounting \varnothing 21/45mm L 102mm W 80mm H 47mm		
For models:	P-100, P-35, P-41, P-50, S-100, S-41, S-50, S-60, SL-1100B, SL-1100BP, SL-1200B, SL-1200BP, SL-18, SL-19, SL-19D, SL-20, SL-20D, SL-20E, SL-21, SL-21B, SL-21BD, SL-21D, SL-22, SL-22B, SL-22BD, SL-22D, SL-23, SL-23B, SL-23BP, SL-24, SL-290B, SL-300, SL-350B, SL-360, SL-550, SL-550B, SL-550BP, SL-560, SL-650C, SL-650C-USA, SL-800B, SL-810, SL-900, X-100, X-35, X-40, X-41, X-45, X-50, X-60...(Other models you can see in the webshop)		



1

Part No.	524048	Ref. No.	2304847
description	wash and rinse arm mounting pos. upper/lower wash arm L 510mm rinse arm L 500mm w. jets 9 r. jets 6 mounting \varnothing 12/57mm complete		
For models:	E-1000, E-300, LV-1100, LV-290, LV-350, LV-550, LV-750, LV-750A, S-350, S-550, S-750, S-750A, SB-350, SB-550, SB-750, SB-750A, SC-1100, SP-350, SP-550, SP-550B, SP-800		



1

Part No.	524747	Ref. No.	2305793
description	wash and rinse arm wash arm L 365mm rinse arm L 375mm w. jets 6 r. jets 5 mounting \varnothing 20/57mm mounting pos. lower		
For models:	E-19, SV-19		



1

Part No.	524746	Ref. No.	2305458
description	wash and rinse arm wash arm L 410mm rinse arm L 410mm w. jets 6 r. jets 5 mounting \varnothing 20/57mm mounting pos. lower		
For models:	S-20, S-21, S-23, SB-22, SB-23, SP-23, SP-23B, SV-20, SV-21, SV-21B		



1

Part No.	524721	Ref. No.	2309075
description	end cap for rinse arm set 4-piece \varnothing 10mm H 19mm		
For models:	SP-23, SP-23B, SV-18, SV-18H, SV-19, SV-20, SV-21, SV-21B		



1


Part No.	524734	Ref. No.	2309076
description	end cap for wash arm set 4-piece mounting pos. upper/lower \varnothing 16mm H 29mm		
For models:	SC-1100, SC-1200, SP-23, SP-23B, SP-290, SP-350, SP-550, SP-550B, SP-800, SV-18, SV-18H, SV-19, SV-20, SV-21, SV-21B		





1


Part No.	517349	Ref. No.	2309080
description	rinse jet set \varnothing 13mm H 27mm		
For models:	E-1000, E-18, E-19, E-300, LV-1100, LV-1200, LVT-18, LVT-18A, LVT-18H, S-20, S-21, S-23, S-290, S-350, S-550, S-750, S-750A, SB-22, SB-23, SB-290, SB-350, SB-550, SB-750, SB-750A, SC-1100, SC-1200, SP-23, SP-23B, SP-290, SP-350, SP-550, SP-550B, SP-800, SV-18, SV-18H, SV-19, SV-20, SV-21, SV-21B		





			
1			
Part No.	517352	Ref. No.	2305053 2309550
description	wash arm boss L 140mm W 140mm H 48mm		
For models:	E-1000, E-19, E-300, LV-1100, S-21, S-23, S-290, S-350, S-550, S-750, S-750A, SB-22, SB-23, SB-290, SB-350, SB-550, SB-750, SB-750A, SC-1100, SP-23, SP-23B, SP-290, SP-350, SP-550, SP-550B, SP-800, SV-19, SV-20, SV-21, SV-21B		


			
1			
Part No.	517349	Ref. No.	2309080
description	rinse jet set ø 13mm H 27mm		
For models:	E-1000, E-18, E-19, E-300, LV-1100, LV-1200, LVT-18, LVT-18A, LVT-18H, S-20, S-21, S-23, S-290, S-350, S-550, S-750, S-750A, SB-22, SB-23, SB-290, SB-350, SB-550, SB-750, SB-750A, SC-1100, SC-1200, SP-23, SP-23B, SP-290, SP-350, SP-550, SP-550B, SP-800, SV-18, SV-18H, SV-19, SV-20, SV-21, SV-21B		

			
1			
Part No.	517348	Ref. No.	2309218
description	wash jet set H 32mm ø 18mm		
For models:	E-1000, E-18, E-19, E-300, LV-1100, LVT-18, LVT-18A, LVT-18H, S-20, S-21, S-23, S-290, S-350, S-550, S-750, S-750A, SB-22, SB-23, SB-290, SB-350, SB-550, SB-750, SB-750A, SP-23, SP-23B, SP-290, SP-350, SP-550, SP-550B, SP-800, SV-18, SV-18H, SV-19, SV-20, SV-21, SV-21B		


			
1			
Part No.	524276	Ref. No.	4301864
description	wash arm boss		
For models:	E-18, E-19, LVT-18, LVT-18A, LVT-18H, S-20, SV-18, SV-18H, SV-20, SV-21, SV-21B		


			
1			
Part No.	524049	Ref. No.	4301756
description	wash arm mounting pos. lower wash arm L 375mm rinse arm L 375mm w. jets 6 r. jets 4 mounting ø 9/32mm complete		
For models:	E-18, LVT-18, LVT-18A, LVT-18H, SV-18, SV-18H		

			
1			
Part No.	517348	Ref. No.	2309218
description	wash jet set H 32mm ø 18mm		
For models:	E-1000, E-18, E-19, E-300, LV-1100, LVT-18, LVT-18A, LVT-18H, S-20, S-21, S-23, S-290, S-350, S-550, S-750, S-750A, SB-22, SB-23, SB-290, SB-350, SB-550, SB-750, SB-750A, SP-23, SP-23B, SP-290, SP-350, SP-550, SP-550B, SP-800, SV-18, SV-18H, SV-19, SV-20, SV-21, SV-21B		


			
1			
Part No.	524070	Ref. No.	4301758
description	wash arm mounting pos. lower wash arm L 410mm rinse arm L 415mm w. jets 6 r. jets 4 mounting ø 10/33mm complete		
For models:	LVT-18A		


			
1			
Part No.	524724	Ref. No.	2307205
description	wash and rinse arm wash arm L 415mm rinse arm L 410mm w. jets 6 r. jets 4 mounting ø 20/33mm mounting pos. upper		
For models:	S-21, S-23, SB-22, SB-23, SV-20, SV-21, SV-21B		


			
1			
Part No.	524734	Ref. No.	2309076
description	end cap for wash arm set 4-piece mounting pos. upper/lower ø 16mm H 29mm		
For models:	SC-1100, SC-1200, SP-23, SP-23B, SP-290, SP-350, SP-550, SP-550B, SP-800, SV-18, SV-18H, SV-19, SV-20, SV-21, SV-21B		


			
1			
Part No.	524721	Ref. No.	2309075
description	end cap for rinse arm set 4-piece ø 10mm H 19mm		
For models:	SP-23, SP-23B, SV-18, SV-18H, SV-19, SV-20, SV-21, SV-21B		





			
1			
Part No.	524734	Ref. No.	2309076
description	end cap for wash arm set 4-piece mounting pos. upper/lower ø 16mm H 29mm		
For models:	SC-1100, SC-1200, SP-23, SP-23B, SP-290, SP-350, SP-550, SP-550B, SP-800, SV-18, SV-18H, SV-19, SV-20, SV-21, SV-21B		


			
1			
Part No.	517349	Ref. No.	2309080
description	rinse jet set ø 13mm H 27mm		
For models:	E-1000, E-18, E-19, E-300, LV-1100, LV-1200, LVT-18, LVT-18A, LVT-18H, S-20, S-21, S-23, S-290, S-350, S-550, S-750, S-750A, SB-22, SB-23, SB-290, SB-350, SB-550, SB-750, SB-750A, SC-1100, SC-1200, SP-23, SP-23B, SP-290, SP-350, SP-550, SP-550B, SP-800, SV-18, SV-18H, SV-19, SV-20, SV-21, SV-21B		


			
1			
Part No.	524712	Ref. No.	4301665
description	wash arm boss mounting pos. upper ø 36mm L 80mm W 64mm H 34mm		
For models:	S-21, S-23, SB-22, SB-23, SP-23, SP-23B, SV-20, SV-21, SV-21B		


			
1			
Part No.	517348	Ref. No.	2309218
description	wash jet set H 32mm ø 18mm		
For models:	E-1000, E-18, E-19, E-300, LV-1100, LVT-18, LVT-18A, LVT-18H, S-20, S-21, S-23, S-290, S-350, S-550, S-750, S-750A, SB-22, SB-23, SB-290, SB-350, SB-550, SB-750, SB-750A, SP-23, SP-23B, SP-290, SP-350, SP-550, SP-550B, SP-800, SV-18, SV-18H, SV-19, SV-20, SV-21, SV-21B		


			
1			
Part No.	524755	Ref. No.	2313179 2319253
description	rinse arm L 400mm nozzles 4 mounting ø 12mm mounting pos. upper		
For models:	P-41, SL-20, SL-20D, SL-20E, SL-21, SL-21B, SL-21BD, SL-21D, SL-22, SL-22B, SL-22BD, SL-22D, X-40		

			
1			
Part No.	517708	Ref. No.	2313224 2319203
description	rinse arm mounting pos. upper L 360mm nozzles 4 mounting ø 12mm		
For models:	P-35, SL-18, SL-19, SL-19D, X-35		


			
1			
Part No.	524757	Ref. No.	2313117
description	rinse arm boss mounting pos. upper ø 12mm H 27mm		
For models:	P-35, P-41, SL-1100B, SL-1100BP, SL-1200B, SL-1200BP, SL-18, SL-19, SL-19D, SL-20, SL-20D, SL-20E, SL-21, SL-21B, SL-21BD, SL-21D, SL-22, SL-22B, SL-22BD, SL-22D, SL-900, X-35, X-40		


			
1			
Part No.	517713	Ref. No.	2313125
description	rinse jet set		
For models:	P-100, P-35, P-41, P-50, S-120, S-41, S-50, S-60, SL-1100B, SL-1100BP, SL-1200B, SL-1200BP, SL-18, SL-19, SL-19D, SL-20, SL-20D, SL-20E, SL-21, SL-21B, SL-21BD, SL-21D, SL-22, SL-22B, SL-22BD, SL-22D, SL-23, SL-23B, SL-23BP, SL-24, SL-290B, SL-300, SL-350B, SL-360, SL-550, SL-550B, SL-550BP, SL-560, SL-650C, SL-650C-USA, SL-800B, SL-810, SL-900, X-120, X-35, X-40, X-41, X-45, X-50, X-60...(Other models you can see in the webshop)		


			
1			
Part No.	524072	Ref. No.	4301762
description	rinse arm mounting pos. upper L 364mm nozzles 4 mounting ø 9.5mm W 20mm		
For models:	E-18, E-19, LVT-18, LVT-18A, LVT-18H, SV-18, SV-18H, SV-19		


			
1			
Part No.	524071	Ref. No.	4301764
description	rinse arm mounting pos. upper L 400mm nozzles 4 mounting ø 10mm		
For models:	LVT-18A, S-20, SV-20, SV-21, SV-21B		




			
1			
Part No.	517349	Ref. No.	2309080
description	rinse jet set ø 13mm H 27mm		
For models:	E-1000, E-18, E-19, E-300, LV-1100, LV-1200, LVT-18, LVT-18A, LVT-18H, S-20, S-21, S-23, S-290, S-350, S-550, S-750, S-750A, SB-22, SB-23, SB-290, SB-350, SB-550, SB-750, SB-750A, SC-1100, SC-1200, SP-23, SP-23B, SP-290, SP-350, SP-550, SP-550B, SP-800, SV-18, SV-18H, SV-19, SV-20, SV-21, SV-21B		


			
1			
Part No.	517717	Ref. No.	2319019
description	end cap set 2-piece thread M12x1.5 H 8mm WS 13		
For models:	SU-600, SU-750		


			
1			
Part No.	517716	Ref. No.	2311569
description	rinse jet H 17mm thread 1/8" WS 13		
For models:	ST, ST-1400, ST-1700, ST-2200, ST-2800, ST-3000, ST-3500		


			
1			
Part No.	542379	Ref. No.	2313419
description	wash arm boss L 100mm W 100mm H 45.5mm mounting ø 16mm		
For models:	SL-1100B, SL-1100BP, SL-1200B, SL-1200BP, SL-900		


			
1			
Part No.	517709	Ref. No.	2319060
description	wash arm boss mounting pos. upper L 90mm W 65mm H 38mm		
For models:	S-41, SL-20, SL-20D, SL-21, SL-21B, SL-21BD, SL-21D, SL-22, SL-22B, SL-22BD, SL-22D, SL-23, SL-23B, SL-23BP, SL-24, X-41		

			
1			
Part No.	517410	Ref. No.	2309849
description	wash jet set H 32mm ø 18mm		
For models:	LV-1200, SC-1100, SC-1200		


			
1			
Part No.	524728	Ref. No.	2310249
description	opposite support for wash arm support mounting pos. lower H 73mm suitable for SAMMIC		
For models:	SP-23, SP-23B, SP-290, SP-350, SP-550, SP-550B, SP-800, SV-20, SV-21, SV-21B		


			
1			
Part No.	524710	Ref. No.	2313129
description	opposite support for wash arm support mounting pos. lower ø 82mm H 79mm suitable for SAMMIC		
For models:	P-35, P-41, SL-18, SL-19, SL-19D, SL-20, SL-20D, SL-20E, SL-21BD, SL-21D, SL-22, SL-22B, SL-22BD, SL-22D, X-35, X-40		


			
1			
Part No.	517344	Ref. No.	2319061
description	opposite support mounting pos. lower thread 1½" H 65mm with ring gasket		
For models:	P-50, S-41, S-50, S-60, SL-20D, SL-21, SL-21B, SL-21BD, SL-21D, SL-22, SL-22B, SL-22BD, SL-22D, SL-23, SL-23B, SL-23BP, SL-24, SL-290B, SL-350B, SL-360, SL-550, SL-550B, SL-550BP, SL-560, SL-800B, X-41, X-45, X-50, X-60, X-80		


			
1			
Part No.	524725	Ref. No.	2309727
description	wash arm support mounting pos. lower H 168mm		
For models:	E-19, S-20, S-21, S-23, SB-22, SB-23, SP-23, SP-23B, SV-19, SV-20, SV-21, SV-21B		





			
1			
Part No.	524707	Ref. No.	2313151 2319205
description	wash arm support mounting pos. lower ø 82mm H 116mm		
For models:	P-100, P-35, P-41, S-100, S-41, SL-1100B, SL-1100BP, SL-1200B, SL-1200BP, SL-18, SL-19, SL-19D, SL-20, SL-20D, SL-20E, SL-21, SL-21B, SL-21BD, SL-21D, SL-22, SL-22B, SL-22BD, SL-22D, SL-23, SL-23B, SL-23BP, SL-24, SL-900, X-100, X-35, X-40, X-41		


			
1			
Part No.	524758	Ref. No.	2310746
description	wash arm support mounting pos. lower ø 92mm H 102mm		
For models:	SC-1100		


			
1			
Part No.	517342	Ref. No.	2313214 2319309
description	wash arm support mounting pos. lower thread 1½" ø 44mm H 128mm		
For models:	P-50, S-50, S-60, SL-290B, SL-300, SL-350B, SL-360, SL-550, SL-550B, SL-550BP, SL-560, SL-650C, SL-650C-USA, SL-800B, SL-810, X-45, X-50, X-60, X-80		


			
1			
Part No.	524715	Ref. No.	4309242
description	wash arm support mounting pos. upper H 40mm L1 53mm		
For models:	E-18, E-19, LVT-18, LVT-18A, LVT-18H, S-20, SV-18, SV-18H, SV-19, SV-20, SV-21, SV-21B		


			
1			
Part No.	517343	Ref. No.	2319059
description	wash arm support mounting pos. upper ø 30mm H 49.5mm		
For models:	P-50, S-50, S-60, SL-290B, SL-350B, SL-360, SL-550, SL-550B, SL-550BP, SL-560, SL-650C, SL-650C-USA, SL-800B, X-45, X-50, X-60, X-80		

			
1			
Part No.	524753	Ref. No.	2309729
description	wash arm support mounting pos. upper ø 61mm H 73mm		
For models:	S-21, S-23, SB-22, SB-23, SP-23, SP-23B, SV-20, SV-21, SV-21B		


			
1			
Part No.	517710	Ref. No.	2319062
description	wash arm support mounting pos. upper ø 61mm H 79mm		
For models:	S-41, SL-20, SL-20D, SL-21, SL-21B, SL-21BD, SL-21D, SL-22, SL-22B, SL-22BD, SL-22D, SL-23, SL-23B, SL-23BP, SL-24, X-41		

			
1			
Part No.	524711	Ref. No.	2309110
description	wash arm support mounting pos. upper ø 88mm H 49mm		
For models:	E-300, S-290, S-350, S-550, S-750, S-750A, SB-290, SB-350, SB-550, SB-750, SB-750A, SP-290, SP-350, SP-550, SP-550B, SP-800		

			
1			
Part No.	524727	Ref. No.	4309240
description	wash arm support set mounting pos. lower H 120mm		
For models:	E-18, LVT-18, LVT-18A, LVT-18H, SV-18, SV-18H		

			
1			
Part No.	524735	Ref. No.	2309064
description	gasket set for wash arm support		
For models:	SC-1100, SC-1200, SP-23, SP-23B, SP-290, SP-350, SP-550, SP-550B, SP-800, SV-18, SV-18H, SV-19, SV-20, SV-21, SV-21B		


rinse arm shafts

			
1			
Part No.	524720	Ref. No.	2313219 2319206
description	rinse arm shaft mounting pos. lower ø 12mm H 71mm thread M12x1.75 thread L 13mm		
For models:	P-100, P-35, P-41, P-50, S-120, S-41, S-50, S-60, SL-1100B, SL-1100BP, SL-1200B, SL-1200BP, SL-18, SL-19, SL-19D, SL-20, SL-20D, SL-20E, SL-21, SL-21B, SL-21BD, SL-21D, SL-22, SL-22B, SL-22BD, SL-22D, SL-23, SL-23B, SL-23BP, SL-24, SL-290B, SL-300, SL-350B, SL-360, SL-550, SL-550B, SL-550BP, SL-560, SL-650C, SL-650C-USA, SL-800B, SL-810, SL-900, X-120, X-35, X-40, X-41, X-45, X-50, X-60...(Other models you can see in the webshop)		



knobs

producer-specific knobs

SAMMIC			
			
1			
Part No.	111400	Ref. No.	2304989 2309024 2309580 2509157
description	knob set zero mark ø 41mm shaft ø 6x4.6mm grey, red		
For models:	BM-11, BM-21, BM-22, BM-22C, BM-22H, BM-42, LV-1100, LV-1200, LV-290, LV-350, LV-550, LV-750, LV-750A, LVT-19, M-5, P-12, S-23, S-290, S-350, S-550, S-750, S-750A, SB-22, SB-23, SB-290, SB-350, SB-550, SB-750, SB-750A, TRX-21, TRX-22, V-401SGA, V-401T, V-402SG, V-402T, V-410SG, V-410T, V-420SA, V-420SGA, V-420T, V-421SG, V-421T, V-425SGA, V-425T, V-426SG, V-426T, V-640SA, V-640SGA, V-640T, V-641SG...(Other models you can see in the webshop)		

locks


snap locks

producer-specific

SAMMIC			
			
1			
Part No.	700991	Ref. No.	2309122
description	snap lock flange length 70mm flange width 22mm		
For models:	E-19, E-300, LVT-19, P-35, P-41, P-50, S-20, S-21, S-23, S-290, S-350, S-41, S-50, S-550, S-60, S-750, S-750A, SB-22, SB-23, SB-290, SB-350, SB-550, SB-750, SB-750A, SL-18, SL-19, SL-19D, SL-20, SL-20D, SL-21, SL-21B, SL-21BD, SL-21D, SL-22, SL-22B, SL-22BD, SL-22D, SL-23, SL-23B, SL-23BP, SL-24, SL-290B, SL-350B, SL-360, SL-550, SL-550B, SL-550BP, SL-560, SL-650C, SL-650C-USA...(Other models you can see in the webshop)		

hinges

door bearing


			
1			
Part No.	694538	Ref. No.	2309212
description	hinge L 72mm W 25mm mounting pos. left/right set for dishwasher Qty 1 pcs		
For models:	E-19, E-300, LVT-19, S-20, S-21, S-23, S-290, S-350, S-550, S-750, S-750A, SB-22, SB-23, SB-290, SB-350, SB-550, SB-750, SB-750A, SP-23, SP-23B, SP-290, SP-350, SP-550, SP-550B, SP-800, SV-19, SV-20, SV-21, SV-21B		

baskets



warewashing baskets

steel wire baskets octagonal


mix baskets

			
1			
Part No.	971002 ¹	Ref. No.	4301923
description	mix basket L 350mm W 350mm H 165mm mesh type wide-meshed		

¹wide-meshed

			
1			
Part No.	970068 ¹	Ref. No.	2309733
description	mix basket L 400mm W 400mm H 170mm		
spare parts for	970068		
	Part No.	970001	Ref. No.
			—
	 sliding corner wire gauge ø 5mm L 120mm W 120mm H 12mm L-shape		

¹wide-meshed

			
1			
Part No.	971029 ¹	Ref. No.	2307320
description	mix basket L 450mm W 450mm H 120mm mesh type wide-meshed		


¹wide-meshed

plate baskets

			
1			
Part No.	971032	Ref. No.	2307315
description	plate basket L 450mm W 450mm H 95mm plates 14 plate ø 230mm		

plastic baskets octagonal

mix baskets

			
1			
Part No.	971058	Ref. No.	2302612
description	mix basket L 350mm W 350mm H 150mm		



1

Part No.	971078	Ref. No.	2305468
description	mix basket L 400mm W 400mm H 150mm		

plate baskets



1

Part No.	970693	Ref. No.	2307028
description	plate basket L 400mm W 400mm		

accessories

cutlery inserts



1

Part No.	976016	Ref. No.	2302615
description	cutlery insert L 110mm W 110mm ømm H 130mm		



1

Part No.	970349	Ref. No.	2302617
description	cutlery insert L 130mm W 57mm ømm H 110mm		



1

Part No.	972032	Ref. No.	5300125
description	cutlery insert L 430mm W 205mm ømm H 150mm		

gaskets

O-rings

EPDM

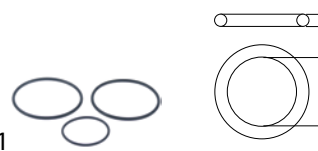
ø8.00mm



1

Part No.	532631	Ref. No.	2309051
description	O-ring EPDM thickness 8mm ID ø 52mm Qty 2 pcs		
For models:	E-1000, E-300, LV-1100, LV-1200, S-21, S-23, S-290, S-350, S-550, S-750, S-750A, SB-22, SB-23, SB-290, SB-350, SB-550, SB-750, SB-750A, SC-1100, SC-1200, SP-23, SP-23B, SP-290, SP-350, SP-550, SP-550B, SP-800, ST, ST-1400, ST-1700, ST-2200, ST-2800, ST-3000, ST-3500, SU-600, SU-750, SV-19, SV-20, SV-21, SV-21B		

miscellaneous



1

Part No.	518188	Ref. No.	2310753
description	O-ring set EPDM thickness 3/4mm ID ø 46/74mm		
For models:	SC-1100, SC-1200, SU-600, SU-750		

sealing washers

silicone gaskets



1

Part No.	651007	Ref. No.	6420111
description	gasket ED ø 75mm ID ø 55mm thickness 3mm Qty 1 pcs		
For models:	TB-1000		

miscellaneous




1

Part No.	524735	Ref. No.	2309064
description	gasket set for wash arm support		
For models:	SC-1100, SC-1200, SP-23, SP-23B, SP-290, SP-350, SP-550, SP-550B, SP-800, SV-18, SV-18H, SV-19, SV-20, SV-21, SV-21B		



springs

tension springs

1 			
Part No.	701129	Ref. No.	2310609 2319432
description	tension spring \varnothing 38mm total length 570mm wire gauge \varnothing 5mm for hood		
For models:	P-100, S-100, S-120, SC-1100, SC-1200, SL-1100B, SL-1100BP, SL-1200B, SL-1200BP, SL-900		

dosing pumps

peristaltic dosing pumps

GERMAC

built-in version

with frequency control













1 			
Part No.	361620	Ref. No.	2310293
description	dosing pump GERMAC frequency control 2.5l/h 230VAC detergent hose \varnothing 4x6mm hose thermoplastic type G252 dimensions 62x70x-93mm		
For models:	SC-1100, SC-1200, SL-290B, SL-350B, SL-550B, SL-550BP, SP-23, SP-23B, SP-290, SP-350, SP-550, SP-550B, SP-800, SU-600, SU-750, SV-18, SV-18H, SV-19, SV-20, SV-21, SV-21B		
spare parts for	361620		
	Part No.	361263	Ref. No. —
	roller assembly GERMAC suitable for G80/82/150/152/200/202/250/252/600		
	Part No.	361554	Ref. No. —
	pump hose GERMAC detergent hose type thermoplastic hose \varnothing 5x8mm for model G200/G250/G252		
	Part No.	361556	Ref. No. —
	control PCB type G82/G152/G202/G252 GERMAC		
accessories for	361620		
	Part No.	520090	Ref. No. —
	PVC hose ID \varnothing 4mm ED \varnothing 6mm L 2m thickness 1mm t.max. 60°C transparent		
	Part No.	520091	Ref. No. —
	nylon hose ID \varnothing 4mm ED \varnothing 6mm L 2m thickness 1mm operating p. 10bar burst p. 50bar t.max. 100°C transparent		

membrane dosing pumps

self-priming with supporting pressure

GERMAC

type 2000

1 			
Part No.	361547	Ref. No.	N/A
description	dosing pump type 2000 rinse aid inlet 4x6mm outlet 8mm suction connection \varnothing PVC 4x6mm supporting pressure M12x1 rebound ball PTFE 1mm GERMAC CODE VNR/D1		
spare parts for	361547		
	Part No.	361550	Ref. No. —
	hose connector hose \varnothing 4x6mm		
	Part No.	361551	Ref. No. —
	compression spring wire gauge \varnothing 1mm		
	Part No.	361701	Ref. No. —
	hose connector thread M10x1 grommet \varnothing 7.5mm		
	Part No.	361705	Ref. No. —
	gasket for hose connector M12x1		
	Part No.	510298	Ref. No. —
	lip valve dosing pump suitable for DB2/DS5		
accessories for	361547		
	Part No.	361553	Ref. No. —
	membrane EPDM		
	Part No.	361702	Ref. No. —
	hose connector brass hose \varnothing 4x6mm		
	Part No.	361703	Ref. No. —
	hose connector thread M10x1 brass pipe connection \varnothing 4x6mmmm		
	Part No.	361704	Ref. No. —
	hose connector brass straight thread M12x1 hose \varnothing 11mm Qty 1 pcs		
	Part No.	510296	Ref. No. —
	membrane silicone		
	Part No.	520022	Ref. No. —
	PVC hose ID \varnothing 8mm ED \varnothing 12mm L 10m thickness 2mm t.max. 60°C transparent		





hoses

supply hoses

PVC supply hoses



1

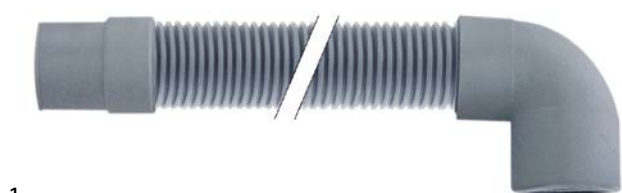
Part No.	520010	Ref. No.	2309745
description	supply hose PVC straight-curved DN13 connections 3/4" L 1500mm operating p. 10bar burst p. 32bar t.max. 90°C blue approval VDE flat seal		
For models:	E-18, E-19, LVT-18, LVT-18A, LVT-18H, LVT-19, P-35, P-41, P-50, S-20, S-21, S-23, S-41, S-50, S-60, SB-22, SB-23, SL-18, SL-19, SL-19D, SL-20, SL-20D, SL-20E, SL-21, SL-21B, SL-21BD, SL-21D, SL-22, SL-22B, SL-22BD, SL-22D, SL-23, SL-23B, SL-23BP, SL-290B, SL-300, SL-350B, SL-360, SL-550, SL-550B, SL-550BP, SL-560, SL-650C, SL-650C-USA, SP-23, SP-23B, SV-18, SV-18H, SV-19, SV-20...(Other models you can see in the webshop)		
accessories for	520010		
	Part No.	520053	Ref. No. —
	screen connection 3/4" D1 ø 26mm D2 ø 15mm Qty 10 pcs rubber thickness 8mm		
	Part No.	520054	Ref. No. —
	flat gasket rubber ED ø 23.5mm ID ø 14mm thickness 2.3mm Qty 10 pcs		

drain hoses



1

Part No.	530608	Ref. No.	2305113
description	drain hose DN24 L 1500mm A int. ø 24mm A ext. ø 28mm B int. ø 28mm B ext. ø 35mm outer hose ø 29mm temp.-resist. 90°C		
For models:	E-18, E-19, E-300, LV-290, LV-350, LV-550, LV-750, LV-750A, LVT-18, LVT-18A, LVT-18H, LVT-19, S-20, S-21, S-23, S-290, S-350, S-550, S-750, S-750A, SB-22, SB-23, SB-290, SB-350, SB-550, SB-750, SB-750A, SC-1100, SC-1200, SL-1100B, SL-1100BP, SL-1200B, SL-1200BP, SL-900, SP-23, SP-23B, SP-290, SP-350, SP-550, SP-550B, SP-800, SU-600, SU-750, SV-18, SV-18H, SV-19, SV-20, SV-21, SV-21B		



1


Part No.	530571	Ref. No.	2305114 2319227
description	drain hose DN24 L 1500mm straight ø inside 24mm straight ext. ø 29mm elbow ø inside 29mm elbow ext. ø 35mm outer hose ø 28mm		
For models:	P-100, P-35, P-41, P-50, S-100, S-120, S-41, S-50, S-60, SL-18, SL-19, SL-19D, SL-20, SL-20D, SL-20E, SL-21, SL-21B, SL-21BD, SL-21D, SL-22, SL-22B, SL-22BD, SL-22D, SL-23, SL-23B, SL-23BP, SL-24, SL-290B, SL-300, SL-350B, SL-360, SL-550, SL-550B, SL-550BP, SL-560, SL-650C, SL-650C-USA, SL-800B, SL-810, X-100, X-120, X-35, X-40, X-41, X-45, X-50, X-60, X-80		

formed hoses

straight



1

Part No.	524719	Ref. No.	2310294 (old Version)
description	formed hose hose ext. ø 40mm hose int. ø 30mm L 65mm warewashing black Qty 1		
accessories for	524719		
	Part No.	500961	Ref. No. 4309102 old version
	drain pump inlet ø 30mm outlet ø 23mm 100W 230V 50Hz GRE		



1

Part No.	530426	Ref. No.	2310294
description	formed hose L 66mm		
For models:	P-100, P-35, P-41, S-100, S-120, SC-1100, SC-1200, SL-1100B, SL-1100BP, SL-1200B, SL-1200BP, SL-18, SL-19, SL-19D, SL-20, SL-20D, SL-20E, SL-21BD, SL-21D, SL-22, SL-22B, SL-22BD, SL-22D, SL-23, SL-23B, SL-23BP, SL-290B, SL-350B, SL-550B, SL-550BP, SL-650C, SL-650C-USA, SL-800B, SL-900, SP-23, SP-23B, SP-290, SP-350, SP-550, SP-550B, SP-800, SV-20, SV-21, SV-21B, X-100, X-120, X-35, X-40		

form L



1

Part No.	524733	Ref. No.	2306521 2309655
description	formed hose end piece A ext. ø 38mm end piece A int. ø 26mm AD2 ø 38mm ø end piece B 26mm L 135mm Qty 1 warewashing L-shape		
For models:	E-19, LVT-19, S-20, S-21, S-23, SB-22, SB-23, SP-23, SP-23B, SV-19, SV-20, SV-21, SV-21B		



1

Part No.	524752	Ref. No.	2313379 2319270
description	formed hose end piece A ext. ø 48mm end piece A int. ø 38mm AD2 ø 41mm ø end piece B 29mm L 120mm Qty 1 warewashing L-shape		
For models:	S-41, SL-20D, SL-21, SL-21B, SL-21BD, SL-21D, SL-22, SL-22B, SL-22BD, SL-22D, SL-23, SL-23B, SL-23BP, SL-24, X-41		




1

Part No.	524751	Ref. No.	2309741
description	formed hose end piece A ext. \varnothing 58mm end piece A int. \varnothing 44mm AD2 \varnothing 44mm \varnothing end piece B 26mm L 135mm Qty 1 warewashing L-shape		
For models:	E-19, S-20, S-21, SV-19, SV-20, SV-21, SV-21B		



1

Part No.	524726	Ref. No.	2309866
description	formed hose end piece A ext. \varnothing 73mm end piece A int. \varnothing 60mm AD2 \varnothing 75mm \varnothing end piece B 63mm L 275mm warewashing L-shape Qty 1 black		
For models:	LV-1100, LV-1200, SC-1100, SC-1200		

with branch



1

Part No.	524738	Ref. No.	2310620 2319404
description	formed hose ID \varnothing 35/47mm ED \varnothing 49/64mm L 395mm wash pipe with piggyback warewashing black		
For models:	P-100, S-100, S-120, SC-1100, SC-1200, SL-1100B, SL-1100BP, SL-1200B, SL-1200BP, SL-900, ST-1400, X-100, X-120		


form S



1

Part No.	517711	Ref. No.	2307509 2310106
description	formed hose hose ext. \varnothing 42/37mm hose int. \varnothing 29/22mm L 400mm S-shape		
For models:	P-41, P-50, S-100, S-120, S-23, S-290, S-350, S-41, S-50, S-550, S-60, S-750, S-750A, SB-22, SB-23, SB-290, SB-350, SB-550, SB-750, SB-750A, SC-1100, SC-1200, SL-1100B, SL-1100BP, SL-1200B, SL-1200BP, SL-20, SL-20D, SL-21, SL-21B, SL-21BD, SL-21D, SL-22, SL-22B, SL-22BD, SL-22D, SL-23, SL-23B, SL-23BP, SL-290B, SL-350B, SL-360, SL-550, SL-550B, SL-550BP, SL-560, SL-650C, SL-650C-USA, SL-800B, SL-810...(Other models you can see in the webshop)		

form U




1

Part No.	524739	Ref. No.	2309146
description	formed hose ext. \varnothing 38 L 600mm warewashing black Qty 1 U-shape		
For models:	E-300, P-50, S-290, S-350, S-41, S-50, S-550, S-60, S-750, SB-290, SB-350, SB-550, SB-750, SL-290B, SL-300, SL-350B, SL-360, SL-550, SL-550B, SL-550BP, SL-560, SL-650C, SL-650C-USA, SP-290, SP-350, SP-550, SP-550B, X-41, X-45, X-60, X-80		

fittings, hose and pipe connectors

hose connectors

without screw connection



1

Part No.	510842	Ref. No.	2309583
description	T-piece plastic hose \varnothing 13-13-13mm 3-way		
For models:	E-1000, E-18, E-19, E-300, LV-1100, LV-1200, S-100, S-120, S-290, S-350, S-41, S-50, S-550, S-750, S-750A, SB-290, SB-350, SB-550, SB-750, SB-750A, SC-1100, SC-1200, SL-1100B, SL-1100BP, SL-1200B, SL-1200BP, SL-18, SL-19, SL-19D, SL-20, SL-20D, SL-20E, SL-21, SL-21B, SL-21BD, SL-21D, SL-22, SL-22B, SL-22BD, SL-22D, SL-23, SL-23B, SL-23BP, SL-24, SL-290B, SL-300, SL-350B, SL-360, SL-550, SL-550B...(Other models you can see in the webshop)		



1

Part No.	516103	Ref. No.	4309192
description	manifold plastic hose ø 12-12-12-12mm 4-way		
For models:	LVT-18, LVT-18A, LVT-18H, S-21, S-23, S-41, SB-22, SB-23, SL-20, SL-20D, SL-21, SL-21B, SL-21BD, SL-21D, SL-22, SL-22B, SL-22BD, SL-22D, SL-23, SL-23B, SL-23BP, SP-23, SP-23B, SV-18, SV-18H, SV-20, SV-21, SV-21B, X-35, X-40, X-41		

fastening material

screws

knurled screws



1


Part No.	505271	Ref. No.	2305089 2309077
description	Thumb screw thread M8 thread L 4mm ø 28mm H 3mm SS Qty 2 pcs		
For models:	E-1000, E-18, E-19, E-300, LV-1100, LV-1200, LV-290, LV-350, LV-550, LV-750, LV-750A, LVT-18, LVT-18A, LVT-18H, P-35, P-41, P-50, S-20, S-21, S-23, S-290, S-350, S-41, S-50, S-550, S-60, S-750, S-750A, SB-22, SB-23, SB-290, SB-350, SB-550, SB-750, SB-750A, SC-1100, SC-1200, SL-1100B, SL-1100BP, SL-1200B, SL-1200BP, SL-18, SL-19, SL-19D, SL-20, SL-20D, SL-20E, SL-21, SL-21B, SL-21BD...(Other models you can see in the webshop)		



GASTROPARTS

GASTROPARTS Sp. J.
Klonowica 37
87-100 Toruń

www.gastroparts.com 

gastroparts@gastroparts.com 

tel. +48 56 657 00 68 

[/gastroparts.global](https://www.facebook.com/gastroparts.global) 

[/gastroparts.global](https://www.instagram.com/gastroparts.global) 