



GASTROPARTS

Universal Catalogue › Water Technology ›

[EN] Water taps

[DE] Wasserarmaturen

[ES] Grifería

[FR] Robinets d'eau

[IT] Rubinetti dell'acqua

[PL] Zawory wodne

[RU] Сантехническая арматура

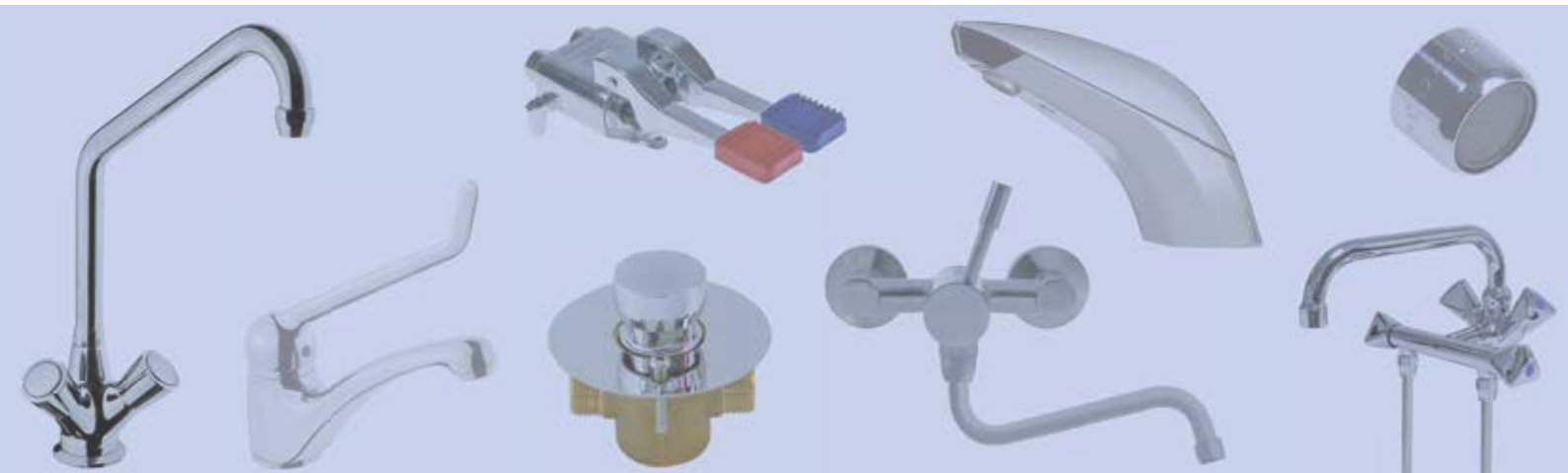
✉ gastroparts@gastroparts.com

☎ tel. +48 56 657 00 66

📘 fb.com/gastroparts.global

GASTROPARTS.COM





water taps

1

CLASSIC.	14
PREMIUM PLUS.	22
INOX.	32
CLASSIC AMERICAN Style.	35
PREMIUM AMERICAN Style.	39
sink taps.	43
electronic taps.	44
self-closing taps.	45
pedal-operated water taps.	46
spare parts of other producers.	49



water taps

CLASSIC

pillar taps



fig.	Part No.	upper part	handle type	A (mm)	B (mm)	connection
1	540332	tap head 1/2"	triangular	155	210	1/2"
1	540333	tap head 1/2"	triangular	200	250	1/2"
1	547351	tap head 1/2"	triangular	250	290	1/2"
1	547350	ceramic tap head 1/2"	triangular	155	210	1/2"
1	547352	ceramic tap head 1/2"	triangular	200	250	1/2"
1	547353	ceramic tap head 1/2"	triangular	250	290	1/2"
2	547818	ceramic tap head 1/2"	lever	155	210	1/2"
2	547819	ceramic tap head 1/2"	lever	200	250	1/2"
2	547852	ceramic tap head 1/2"	lever	250	290	1/2"



fig.	Part No.	upper part	handle type	A (mm)	B (mm)	connection
1	548095	tap head 1/2"	triangular	200	205	1/2"
1	548096	tap head 1/2"	triangular	250	235	1/2"
1	548097	tap head 1/2"	triangular	300	265	1/2"
1	548098	ceramic tap head 1/2"	triangular	200	205	1/2"
1	548099	ceramic tap head 1/2"	triangular	250	235	1/2"
1	548127	ceramic tap head 1/2"	triangular	300	265	1/2"
2	548213	ceramic tap head 1/2"	lever	200	205	1/2"
2	548214	ceramic tap head 1/2"	lever	250	235	1/2"
2	548215	ceramic tap head 1/2"	lever	300	265	1/2"

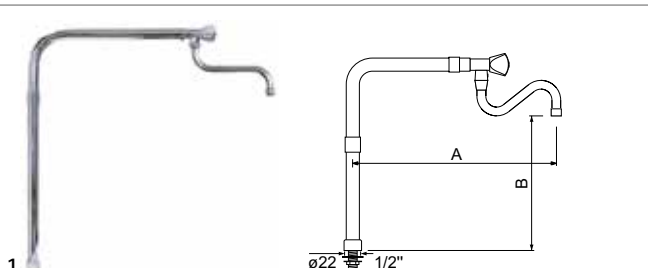


fig.	Part No.	upper part	handle type	A (mm)	B (mm)	connection
1	548580	tap head 1/2"	triangular	510	440	1/2"
1	548581	tap head 1/2"	triangular	560	440	1/2"
1	548582	tap head 1/2"	triangular	640	440	1/2"
1	548583	ceramic tap head 1/2"	triangular	510	440	1/2"

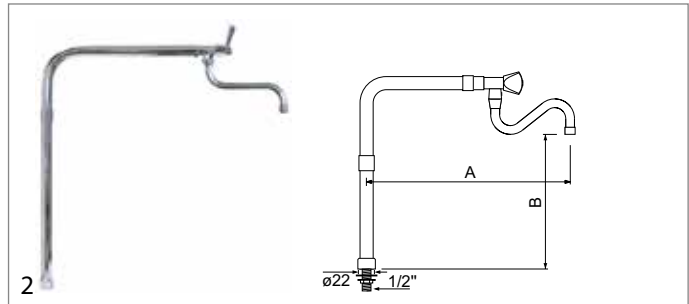


fig.	Part No.	upper part	handle type	A (mm)	B (mm)	connection
1	548584	ceramic tap head 1/2"	triangular	560	440	1/2"
1	548585	ceramic tap head 1/2"	triangular	640	440	1/2"
2	548586	ceramic tap head 1/2"	lever	510	440	1/2"
2	548587	ceramic tap head 1/2"	lever	560	440	1/2"
2	548588	ceramic tap head 1/2"	lever	640	440	1/2"

swivel taps



fig.	Part No.	upper part	handle type	A (mm)	B (mm)	connection
1	547986	tap head 1/2"	triangular	200	150	1/2"
1	547987	tap head 1/2"	triangular	250	180	1/2"
1	547988	tap head 1/2"	triangular	300	210	1/2"
1	547989	ceramic tap head 1/2"	triangular	200	150	1/2"
1	547990	ceramic tap head 1/2"	triangular	250	180	1/2"
1	547991	ceramic tap head 1/2"	triangular	300	210	1/2"
2	547992	ceramic tap head 1/2"	lever	200	150	1/2"
2	547993	ceramic tap head 1/2"	lever	250	180	1/2"
2	547994	ceramic tap head 1/2"	lever	300	210	1/2"



fig.	Part No.	upper part	handle type	A (mm)	B (mm)	connection
1	540176	tap head 1/2"	triangular	200	140	1/2"
1	540177	tap head 1/2"	triangular	250	140	1/2"
1	540178	tap head 1/2"	triangular	300	140	1/2"
1	540380	ceramic tap head 1/2"	triangular	200	160	1/2"
1	540381	ceramic tap head 1/2"	triangular	250	160	1/2"
1	540382	ceramic tap head 1/2"	triangular	300	160	1/2"
2	547809	ceramic tap head 1/2"	with lever handle	200	160	1/2"
2	547810	ceramic tap head 1/2"	with lever handle	250	160	1/2"
2	547811	ceramic tap head 1/2"	with lever handle	300	160	1/2"

monobloc taps



fig.	Part No.	upper part	handle type	A (mm)	B (mm)	G
1	540339	tap head 1/2"	triangular	155	185	3/8"
1	547820	tap head 1/2"	triangular	155	185	1/2"
1	540168	tap head 1/2"	triangular	200	220	3/8"
1	547821	tap head 1/2"	triangular	200	220	1/2"
1	540334	tap head 1/2"	triangular	250	265	3/8"
1	547822	tap head 1/2"	triangular	250	265	1/2"
1	540383	ceramic tap head 1/2"	triangular	155	185	3/8"
1	548023	ceramic tap head 1/2"	triangular	155	185	1/2"
1	540384	ceramic tap head 1/2"	triangular	200	220	3/8"
1	548024	ceramic tap head 1/2"	triangular	200	220	1/2"
1	540385	ceramic tap head 1/2"	triangular	250	265	3/8"
1	548025	ceramic tap head 1/2"	triangular	250	265	1/2"
2	547829	ceramic tap head 1/2"	lever	155	185	1/2"
2	548026	ceramic tap head 1/2"	lever	155	185	3/8"
2	547830	ceramic tap head 1/2"	lever	200	220	1/2"
2	548027	ceramic tap head 1/2"	lever	200	220	3/8"
2	547831	ceramic tap head 1/2"	lever	250	265	1/2"
2	548028	ceramic tap head 1/2"	lever	250	265	3/8"



fig.	Part No.	upper part	handle type	A (mm)	B (mm)	G
1	540346	tap head 1/2"	triangular	200	180	3/8"
1	547832	tap head 1/2"	triangular	200	180	1/2"
1	540347	tap head 1/2"	triangular	250	210	3/8"
1	547833	tap head 1/2"	triangular	250	210	1/2"
1	540348	tap head 1/2"	triangular	300	240	3/8"
1	547834	tap head 1/2"	triangular	300	240	1/2"
1	548020	ceramic tap head 1/2"	triangular	200	180	1/2"
1	548035	ceramic tap head 1/2"	triangular	200	180	3/8"
1	548021	ceramic tap head 1/2"	triangular	250	210	1/2"
1	548036	ceramic tap head 1/2"	triangular	250	210	3/8"
1	548022	ceramic tap head 1/2"	triangular	300	240	1/2"
1	548037	ceramic tap head 1/2"	triangular	300	240	3/8"
2	547841	ceramic tap head 1/2"	lever	200	180	1/2"
2	548029	ceramic tap head 1/2"	lever	200	180	3/8"
2	547842	ceramic tap head 1/2"	lever	250	210	1/2"
2	548030	ceramic tap head 1/2"	lever	250	210	3/8"
2	547843	ceramic tap head 1/2"	lever	300	240	1/2"
2	548031	ceramic tap head 1/2"	lever	300	240	3/8"

monobloc taps with pillar



fig.	Part No.	upper part	handle type	A (mm)	B (mm)	connection
1	547672	tap head 1/2"	triangular	200	280	1/2"
1	547681	tap head 1/2"	triangular	200	380	1/2"
1	547374	tap head 1/2"	triangular	200	480	1/2"
1	547384	tap head 1/2"	triangular	200	580	1/2"
1	547673	tap head 1/2"	triangular	250	310	1/2"
1	547682	tap head 1/2"	triangular	250	410	1/2"
1	547375	tap head 1/2"	triangular	250	510	1/2"
1	547385	tap head 1/2"	triangular	250	610	1/2"
1	547674	tap head 1/2"	triangular	300	340	1/2"
1	547683	tap head 1/2"	triangular	300	440	1/2"
1	547376	tap head 1/2"	triangular	300	540	1/2"
1	547386	tap head 1/2"	triangular	300	640	1/2"
1	547675	ceramic tap head 1/2"	triangular	200	280	1/2"
1	547768	ceramic tap head 1/2"	triangular	200	380	1/2"
1	547377	ceramic tap head 1/2"	triangular	200	480	1/2"
1	547387	ceramic tap head 1/2"	triangular	200	580	1/2"
1	547676	ceramic tap head 1/2"	triangular	250	310	1/2"
1	547769	ceramic tap head 1/2"	triangular	250	410	1/2"
1	547378	ceramic tap head 1/2"	triangular	250	510	1/2"
1	547388	ceramic tap head 1/2"	triangular	250	610	1/2"
1	547677	ceramic tap head 1/2"	triangular	300	340	1/2"
1	547770	ceramic tap head 1/2"	triangular	300	440	1/2"
1	547379	ceramic tap head 1/2"	triangular	300	540	1/2"
1	547389	ceramic tap head 1/2"	triangular	300	640	1/2"
2	547678	ceramic tap head 1/2"	lever	200	280	1/2"
2	547775	ceramic tap head 1/2"	lever	200	380	1/2"
2	547381	ceramic tap head 1/2"	lever	200	480	1/2"
2	547390	ceramic tap head 1/2"	lever	200	580	1/2"
2	547679	ceramic tap head 1/2"	lever	250	310	1/2"
2	547776	ceramic tap head 1/2"	lever	250	410	1/2"
2	547382	ceramic tap head 1/2"	lever	250	510	1/2"
2	547391	ceramic tap head 1/2"	lever	250	610	1/2"
2	547680	ceramic tap head 1/2"	lever	300	340	1/2"
2	547777	ceramic tap head 1/2"	lever	300	440	1/2"
2	547383	ceramic tap head 1/2"	lever	300	540	1/2"
2	547392	ceramic tap head 1/2"	lever	300	640	1/2"



bridge mixer taps



technical data:
hole distance 155mm

fig.	Part No.	upper part	handle type	A (mm)	B (mm)	G
1	547844	tap head 1/2"	triangular	200	205	1/2"
1	548216	tap head 1/2"	triangular	200	205	3/4"
1	547845	tap head 1/2"	triangular	250	235	1/2"
1	548217	tap head 1/2"	triangular	250	235	3/4"
1	547846	tap head 1/2"	triangular	300	265	1/2"
1	548218	tap head 1/2"	triangular	300	265	3/4"
1	548055	ceramic tap head 1/2"	triangular	200	205	1/2"
1	548275	ceramic tap head 1/2"	triangular	200	205	3/4"
1	548056	ceramic tap head 1/2"	triangular	250	235	1/2"
1	548276	ceramic tap head 1/2"	triangular	250	235	3/4"
1	548057	ceramic tap head 1/2"	triangular	300	265	1/2"
1	548277	ceramic tap head 1/2"	triangular	300	265	3/4"
2	547853	ceramic tap head 1/2"	lever	200	205	1/2"
2	548278	ceramic tap head 1/2"	lever	200	205	3/4"
2	547854	ceramic tap head 1/2"	lever	250	235	1/2"
2	548279	ceramic tap head 1/2"	lever	250	235	3/4"
2	547855	ceramic tap head 1/2"	lever	300	265	1/2"
2	548280	ceramic tap head 1/2"	lever	300	265	3/4"



technical data:
hole distance 180mm

fig.	Part No.	upper part	handle type	A (mm)	B (mm)	connection
1	545157	tap head 1/2"	triangular	200	205	1/2"
1	545065	tap head 1/2"	triangular	250	235	1/2"
1	545066	tap head 1/2"	triangular	300	265	1/2"
1	545158	ceramic tap head 1/2"	triangular	200	205	1/2"
1	545159	ceramic tap head 1/2"	triangular	250	235	1/2"
1	545160	ceramic tap head 1/2"	triangular	300	265	1/2"
2	545161	ceramic tap head 1/2"	lever	200	205	1/2"
2	545162	ceramic tap head 1/2"	lever	250	235	1/2"
2	545163	ceramic tap head 1/2"	lever	300	265	1/2"

wall-mounted water taps



technical data:
hole distance 150±20mm

fig.	Part No.	upper part	handle type	A (mm)	B (mm)	connection
1	540173	tap head 1/2"	triangular	200	130	1/2"
1	540174	tap head 1/2"	triangular	250	130	1/2"
1	540175	tap head 1/2"	triangular	300	130	1/2"
1	540389	ceramic tap head 1/2"	triangular	200	130	1/2"
1	540390	ceramic tap head 1/2"	triangular	250	130	1/2"
1	540391	ceramic tap head 1/2"	triangular	300	130	1/2"
2	547865	ceramic tap head 1/2"	lever	200	130	1/2"
2	547866	ceramic tap head 1/2"	lever	250	130	1/2"
2	547867	ceramic tap head 1/2"	lever	300	130	1/2"



technical data:
hole distance 150±20mm

fig.	Part No.	upper part	handle type	A (mm)	B (mm)	connection
1	540336	tap head 1/2"	triangular	200-300	130	1/2"
1	540337	tap head 1/2"	triangular	280-480	130	1/2"
1	540338	tap head 1/2"	triangular	350-600	130	1/2"
1	540392	ceramic tap head 1/2"	triangular	200-300	130	1/2"
1	540393	ceramic tap head 1/2"	triangular	280-480	130	1/2"
1	540394	ceramic tap head 1/2"	triangular	350-600	130	1/2"
2	548080	ceramic tap head 1/2"	lever	200-300	130	1/2"
2	548081	ceramic tap head 1/2"	lever	280-480	130	1/2"
2	548082	ceramic tap head 1/2"	lever	350-600	130	1/2"



technical data:
hole distance 150±20mm

fig.	Part No.	upper part	handle type	A (mm)	B (mm)	connection
1	548086	tap head 1/2"	triangular	200	150	1/2"
1	548087	tap head 1/2"	triangular	250	180	1/2"
1	548088	tap head 1/2"	triangular	300	210	1/2"
1	548089	ceramic tap head 1/2"	triangular	200	150	1/2"
1	548090	ceramic tap head 1/2"	triangular	250	180	1/2"
1	548091	ceramic tap head 1/2"	triangular	300	210	1/2"
2	548092	ceramic tap head 1/2"	lever	200	150	1/2"
2	548093	ceramic tap head 1/2"	lever	250	180	1/2"
2	548094	ceramic tap head 1/2"	lever	300	210	1/2"

single lever monobloc taps

pos.	GEV No.	cartridge	spout length (mm)	spout height (mm)	G
1	540167	ceramic cartridge ø 40mm	120	50	3/8"
2	548032	ceramic cartridge ø 40mm	120	50	1/2"

pos.	GEV No.	cartridge	spout length (mm)	spout height (mm)	G
1	549232	ceramic cartridge ø 40mm	120	50	3/8"
2	549234	ceramic cartridge ø 40mm	120	50	1/2"

pos.	GEV No.	cartridge	spout length (mm)	spout height (mm)	G
1	549233	ceramic cartridge ø 40mm	120	50	3/8"
2	549235	ceramic cartridge ø 40mm	120	50	1/2"

pos.	GEV No.	cartridge	spout length (mm)	spout height (mm)	G
1	540160	ceramic cartridge ø 40mm	230	125	3/8"
2	548033	ceramic cartridge ø 40mm	230	125	1/2"

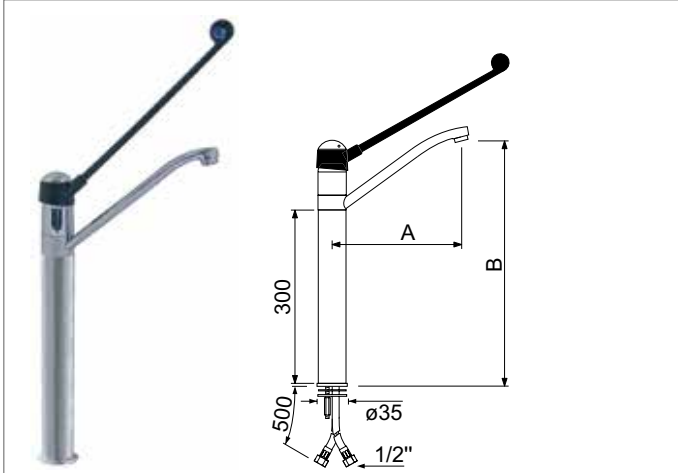
pos.	GEV No.	cartridge	spout length (mm)	spout height (mm)	G
1	540159	ceramic cartridge ø 40mm	230	125	3/8"
2	548034	ceramic cartridge ø 40mm	200	125	1/2"

fig.	GEV No.	cartridge	A (mm)	B (mm)	G
1	549236	ceramic cartridge ø 40mm	230	125	3/8"
1	549237	ceramic cartridge ø 40mm	230	125	1/2"
1	548686	ceramic cartridge ø 40mm	300	130	3/8"
1	548687	ceramic cartridge ø 40mm	300	130	1/2"

fig.	GEV No.	cartridge	A (mm)	B (mm)	G
1	545074	ceramic cartridge ø 40mm	200	175	3/8"
1	545075	ceramic cartridge ø 40mm	200	175	1/2"
1	545076	ceramic cartridge ø 40mm	250	200	3/8"
1	545077	ceramic cartridge ø 40mm	250	200	1/2"
1	545078	ceramic cartridge ø 40mm	300	250	3/8"
1	545079	ceramic cartridge ø 40mm	300	250	1/2"

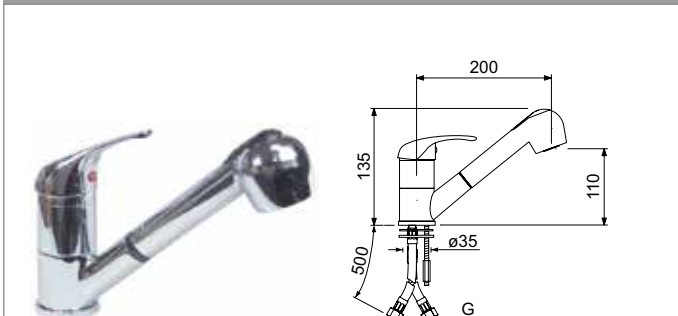


single lever monobloc taps with column

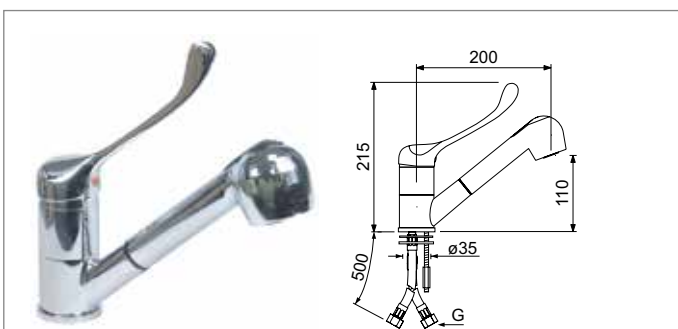


pos.	Part No.	cartridge	A (mm)	B (mm)	connection
1	548944	ceramic cartridge ø 40mm	230	425	1/2"
2	548945	ceramic cartridge ø 40mm	300	425	1/2"

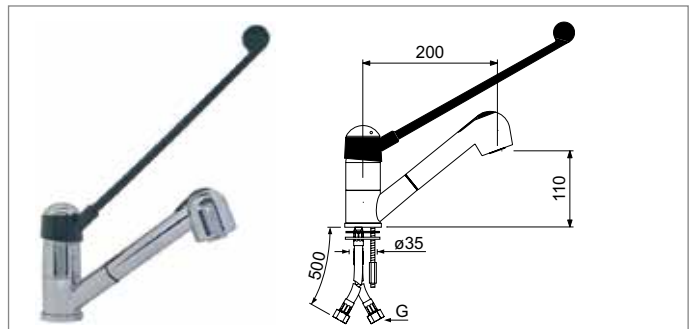
with extendable spray gun



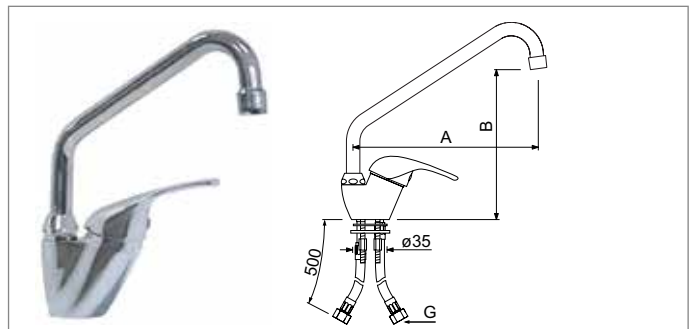
pos.	Part No.	cartridge	spout length (mm)	spout height (mm)	G
1	540162	ceramic cartridge ø 40mm	200	110	3/8"
2	548039	ceramic cartridge ø 40mm	200	110	1/2"



pos.	Part No.	cartridge	spout length (mm)	spout height (mm)	G
1	540161	ceramic cartridge ø 40mm	200	110	3/8"
2	548038	ceramic cartridge ø 40mm	200	110	1/2"

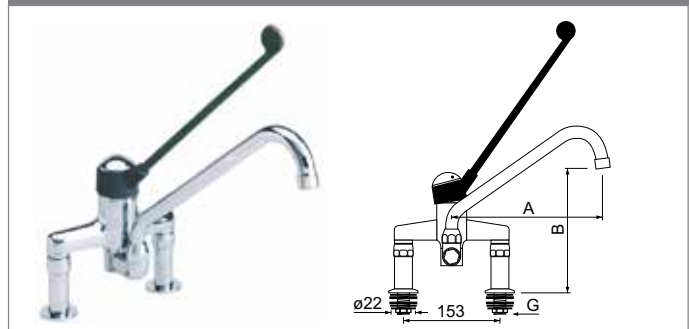


pos.	Part No.	cartridge	spout length (mm)	spout height (mm)	G
1	549240	ceramic cartridge ø 40mm	200	110	3/8"
2	549241	ceramic cartridge ø 40mm	200	110	1/2"



pos.	Part No.	cartridge	A (mm)	B (mm)	G
1	540377	ceramic cartridge ø 40mm	200	175	3/8"
2	548040	ceramic cartridge ø 40mm	200	175	1/2"
3	540378	ceramic cartridge ø 40mm	250	205	3/8"
4	548041	ceramic cartridge ø 40mm	250	205	1/2"
5	540379	ceramic cartridge ø 40mm	300	235	3/8"
6	548042	ceramic cartridge ø 40mm	300	235	1/2"

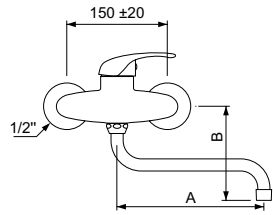
single lever bridge mixer taps



technical data:
hole distance 153mm

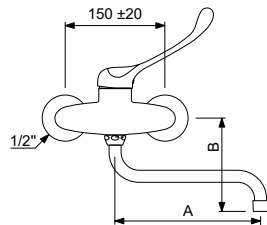
pos.	Part No.	cartridge	A (mm)	B (mm)	G
1	549479	ceramic cartridge ø 40mm	200	180	1/2"
2	549887	ceramic cartridge ø 40mm	200	180	3/4"
3	549480	ceramic cartridge ø 40mm	250	210	1/2"
4	549888	ceramic cartridge ø 40mm	250	210	3/4"
5	549481	ceramic cartridge ø 40mm	300	250	1/2"
6	549889	ceramic cartridge ø 40mm	300	250	3/4"

single lever wall-mounted water taps



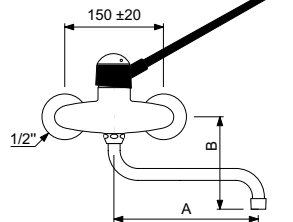
technical data:
hole distance 150±20mm

pos.	Part No.	cartridge	A (mm)	B (mm)	connection
1	547868	ceramic cartridge ø 40mm	200	145	1/2"
2	547869	ceramic cartridge ø 40mm	250	145	1/2"
3	547870	ceramic cartridge ø 40mm	300	145	1/2"



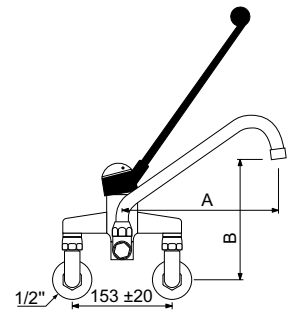
technical data:
hole distance 150±20mm

pos.	Part No.	cartridge	A (mm)	B (mm)	connection
1	540165	ceramic cartridge ø 40mm	200	145	1/2"
2	540166	ceramic cartridge ø 40mm	250	145	1/2"
3	547871	ceramic cartridge ø 40mm	300	145	1/2"



technical data:
hole distance 150±20mm

pos.	Part No.	cartridge	A (mm)	B (mm)	connection
1	548674	ceramic cartridge ø 40mm	200	145	1/2"
2	548675	ceramic cartridge ø 40mm	250	145	1/2"
3	548676	ceramic cartridge ø 40mm	300	145	1/2"



technical data:
hole distance 153±20mm

pos.	Part No.	cartridge	A (mm)	B (mm)	connection
1	549388	ceramic cartridge ø 40mm	200	165	1/2"
2	549389	ceramic cartridge ø 40mm	250	195	1/2"
3	549390	ceramic cartridge ø 40mm	300	240	1/2"

spare parts and accessories



fig.	Part No.	description	TS	RA (°)	application
1	548416	tap head	1/2"	-	cold/hot water
2	548414	ceramic tap head	1/2"	90	cold water
2	548425	ceramic tap head	1/2"	180	cold water
3	548415	ceramic tap head	1/2"	90	hot water
3	548424	ceramic tap head	1/2"	180	hot water



fig.	Part No.	description	application
1	548210	lever handle	cold/hot water
2	547966	triangular handle	cold/hot water



fig.	Part No.	description	D1 ø (mm)	H1 (mm)
1	540452	ceramic cartridge	40	30
2	540450	ceramic cartridge	40	43
3	541403	ceramic cartridge	47	30.5



fig.	Part No.	description	handle length (mm)	ø (mm)	intake	for cartridge
1	540451	lever handle	58	53	10x10,6mm	ø40mm
2	548296	lever handle	70	60	10x10,6mm	ø47mm
3	547143	lever handle	180	51	10x10,6mm	ø40mm



fig.	Part No.	description	handle length (mm)	ø (mm)	intake	for cartridge
4	547787	lever handle	360	54	10x10,6mm	ø40mm
5	548282	lever handle	375	63	10x10,6mm	ø47mm



fig.	Part No.	description	tube ø (mm)	projection (mm)	spout height (mm)
1	540033	HU-spout	18	155	125
1	540034	HU-spout	18	185	190
1	540035	HU-spout	18	245	220
2	540191	HU-spout	18	200	130
2	540192	HU-spout	18	250	160
2	540193	HU-spout	18	300	190



fig.	Part No.	description	tube ø (mm)	projection (mm)	spout height (mm)
3	545070	HU-spout	20	200	100
3	545071	HU-spout	20	250	130
3	545072	HU-spout	20	300	180
4	540196	HU-spout	-	200	120
4	540197	HU-spout	-	250	190



fig.	Part No.	description	tube ø (mm)	projection (mm)	spout height (mm)
5	540031	S spout	18	250	115
5	540086	S spout	18	300	115
5	547566	S spout	18	200	120
6	540032	S spout	18	280-480	120
6	540084	S spout	18	200-300	120
6	540085	S spout	18	350-600	120



fig.	Part No.	description	tube ø (mm)	projection (mm)	spout height (mm)
7	540027	U spout	18	200	5
7	540028	U spout	18	250	5
7	540029	U spout	18	300	5



fig.	Part No.	description	T5	version	at 3bar (l/min)
1	548383	tap aerator	M22x1	with plastic insert	ca.22
2	548385	tap aerator	M22x1	with plastic insert	ca.44
3	548384	tap aerator	M24x1	with plastic insert	ca.22



fig.	Part No.	description	connection
1	540456	spray gun	1/2" ET



fig.	Part No.	description	connections	L (mm)
1	541893	shower hose	1/2" - M15x1	1250



fig.	Part No.	description	connections	L (mm)
2	540455	shower hose	1/2" - M15x1	1500



fig.	Part No.	description	connections	L (mm)
1	520466	flex hose	3/8" - M10x1	500
1	520465	flex hose	1/2" - M10x1	500
1	520472	flex hose	1/2" - M10x1	800

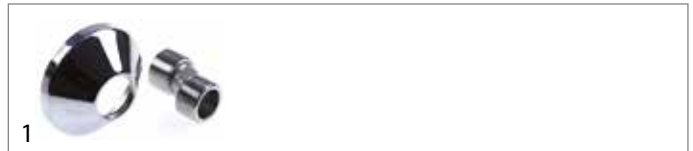


fig.	Part No.	description
1	515090	eccentrics connection 1/2" - 3/4" with rosette Qty 2 pcs



PREMIUM PLUS

with tap head 1/2"

pillar taps



fig.	Part No.	upper part	handle type	A (mm)	B (mm)	connection
1	591455	tap head 1/2"	hood	150	235	1/2"
1	591456	tap head 1/2"	hood	200	235	1/2"
1	591457	tap head 1/2"	hood	250	235	1/2"
1	591458	tap head 1/2"	hood	250	335	1/2"
1	591459	tap head 1/2"	hood	300	235	1/2"
1	591460	ceramic tap head 1/2"	hood	150	235	1/2"
1	591461	ceramic tap head 1/2"	hood	200	235	1/2"
1	591462	ceramic tap head 1/2"	hood	250	235	1/2"
1	591463	ceramic tap head 1/2"	hood	250	335	1/2"
1	591464	ceramic tap head 1/2"	hood	300	235	1/2"
2	548746	ceramic tap head 1/2"	lever	150	235	1/2"
2	548747	ceramic tap head 1/2"	lever	200	235	1/2"
2	548748	ceramic tap head 1/2"	lever	250	235	1/2"
2	548749	ceramic tap head 1/2"	lever	250	335	1/2"
2	548751	ceramic tap head 1/2"	lever	300	235	1/2"

swivel taps



fig.	Part No.	upper part	handle type	A (mm)	B (mm)	connection
1	591465	tap head 1/2"	hood	170	145	1/2"
1	591466	tap head 1/2"	hood	220	145	1/2"
1	591467	tap head 1/2"	hood	300	145	1/2"
1	591468	ceramic tap head 1/2"	hood	170	145	1/2"
1	591469	ceramic tap head 1/2"	hood	220	145	1/2"
1	591470	ceramic tap head 1/2"	hood	300	145	1/2"
2	548758	ceramic tap head 1/2"	lever	170	120	1/2"
2	548759	ceramic tap head 1/2"	lever	220	120	1/2"
2	548760	ceramic tap head 1/2"	lever	300	120	1/2"

monobloc taps



fig.	Part No.	upper part	handle type	A (mm)	B (mm)	connection
1	591430	tap head 1/2"	hood	150	190	3/8"
1	591431	tap head 1/2"	hood	200	190	3/8"
1	591432	tap head 1/2"	hood	250	190	3/8"
1	591433	tap head 1/2"	hood	250	290	3/8"
1	591434	tap head 1/2"	hood	300	190	3/8"
1	591483	tap head 1/2"	hood	150	190	1/2"
1	591485	tap head 1/2"	hood	200	190	1/2"
1	591487	tap head 1/2"	hood	250	190	1/2"
1	591488	tap head 1/2"	hood	250	290	1/2"
1	591489	tap head 1/2"	hood	300	190	1/2"
1	591475	ceramic tap head 1/2"	hood	150	190	3/8"
1	591477	ceramic tap head 1/2"	hood	200	190	3/8"
1	591479	ceramic tap head 1/2"	hood	250	190	3/8"
1	591480	ceramic tap head 1/2"	hood	250	290	3/8"
1	591481	ceramic tap head 1/2"	hood	300	190	3/8"
1	591491	ceramic tap head 1/2"	hood	150	190	1/2"
1	591493	ceramic tap head 1/2"	hood	200	190	1/2"
1	591495	ceramic tap head 1/2"	hood	250	190	1/2"
1	591496	ceramic tap head 1/2"	hood	250	290	1/2"
1	591497	ceramic tap head 1/2"	hood	300	190	1/2"
2	548963	ceramic tap head 1/2"	lever	150	190	3/8"
2	548964	ceramic tap head 1/2"	lever	200	190	3/8"
2	548965	ceramic tap head 1/2"	lever	250	190	3/8"
2	548966	ceramic tap head 1/2"	lever	250	290	3/8"
2	548967	ceramic tap head 1/2"	lever	300	190	3/8"
2	548978	ceramic tap head 1/2"	lever	150	190	1/2"
2	548979	ceramic tap head 1/2"	lever	200	190	1/2"
2	548980	ceramic tap head 1/2"	lever	250	190	1/2"
2	548981	ceramic tap head 1/2"	lever	250	290	1/2"
2	548982	ceramic tap head 1/2"	lever	300	190	1/2"

monobloc taps with pillar

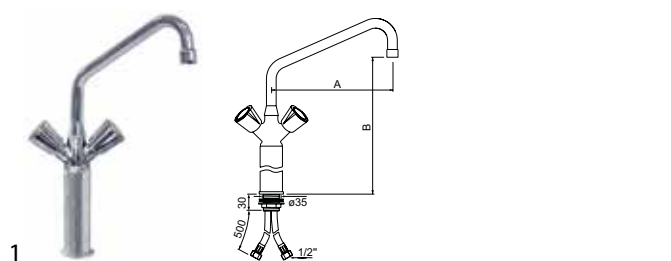


fig.	Part No.	upper part	handle type	A (mm)	B (mm)	connection
1	591435	tap head 1/2"	hood	250	390	1/2"
1	591437	tap head 1/2"	hood	250	490	1/2"
1	591439	tap head 1/2"	hood	250	590	1/2"
1	591436	tap head 1/2"	hood	300	390	1/2"
1	591438	tap head 1/2"	hood	300	490	1/2"

Table continues overleaf

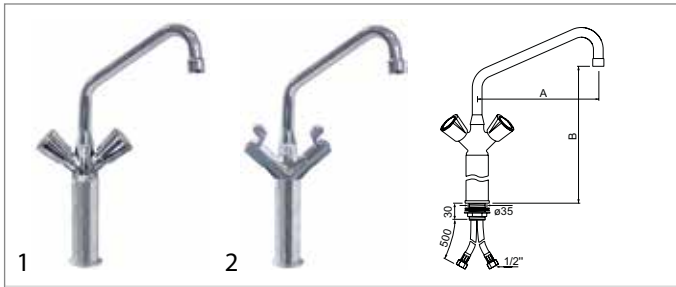


fig.	Part No.	upper part	handle type	A (mm)	B (mm)	connection
1	591440	tap head 1/2"	hood	300	590	1/2"
1	591498	ceramic tap head 1/2"	hood	250	390	1/2"
1	591500	ceramic tap head 1/2"	hood	250	490	1/2"
1	591502	ceramic tap head 1/2"	hood	250	590	1/2"
1	591499	ceramic tap head 1/2"	hood	300	390	1/2"
1	591501	ceramic tap head 1/2"	hood	300	490	1/2"
1	591503	ceramic tap head 1/2"	hood	300	590	1/2"
2	547651	ceramic tap head 1/2"	lever	250	390	1/2"
2	547660	ceramic tap head 1/2"	lever	250	490	1/2"
2	547669	ceramic tap head 1/2"	lever	250	590	1/2"
2	547653	ceramic tap head 1/2"	lever	300	390	1/2"
2	547662	ceramic tap head 1/2"	lever	300	490	1/2"
2	547671	ceramic tap head 1/2"	lever	300	590	1/2"

bridge mixer taps



technical data:
hole distance 153mm

fig.	Part No.	upper part	handle type	A (mm)	B (mm)	G
1	591441	tap head 1/2"	hood	150	255	1/2"
1	591509	tap head 1/2"	hood	150	255	3/4"
1	591442	tap head 1/2"	hood	200	255	1/2"
1	591510	tap head 1/2"	hood	200	255	3/4"
1	591443	tap head 1/2"	hood	250	255	1/2"
1	591511	tap head 1/2"	hood	250	255	3/4"
1	591444	tap head 1/2"	hood	250	355	1/2"
1	591512	tap head 1/2"	hood	250	355	3/4"
1	591445	tap head 1/2"	hood	300	255	1/2"
1	591513	tap head 1/2"	hood	300	255	3/4"
1	591504	ceramic tap head 1/2"	hood	150	255	1/2"
1	591514	ceramic tap head 1/2"	hood	150	255	3/4"
1	591505	ceramic tap head 1/2"	hood	200	255	1/2"
1	591515	ceramic tap head 1/2"	hood	200	255	3/4"
1	591506	ceramic tap head 1/2"	hood	250	255	1/2"
1	591516	ceramic tap head 1/2"	hood	250	255	3/4"
1	591507	ceramic tap head 1/2"	hood	250	355	1/2"
1	591517	ceramic tap head 1/2"	hood	250	355	3/4"
1	591508	ceramic tap head 1/2"	hood	300	255	1/2"
1	591518	ceramic tap head 1/2"	hood	300	255	3/4"
2	549011	ceramic tap head 1/2"	lever	150	255	1/2"
2	549026	ceramic tap head 1/2"	lever	150	255	3/4"

fig.	Part No.	upper part	handle type	A (mm)	B (mm)	G
2	549012	ceramic tap head 1/2"	lever	200	255	1/2"
2	549027	ceramic tap head 1/2"	lever	200	255	3/4"
2	549013	ceramic tap head 1/2"	lever	250	255	1/2"
2	549028	ceramic tap head 1/2"	lever	250	255	3/4"
2	549014	ceramic tap head 1/2"	lever	250	355	1/2"
2	549029	ceramic tap head 1/2"	lever	250	355	3/4"
2	549015	ceramic tap head 1/2"	lever	300	255	1/2"
2	549030	ceramic tap head 1/2"	lever	300	255	3/4"

wall-mounted water taps



technical data:
hole distance 150±20mm

fig.	Part No.	upper part	handle type	A (mm)	B (mm)	connection
1	591446	tap head 1/2"	hood	170	100	1/2"
1	591447	tap head 1/2"	hood	220	100	1/2"
1	591448	tap head 1/2"	hood	300	100	1/2"
1	591519	ceramic tap head 1/2"	hood	170	100	1/2"
1	591520	ceramic tap head 1/2"	hood	220	100	1/2"
1	591521	ceramic tap head 1/2"	hood	300	100	1/2"
2	549085	ceramic tap head 1/2"	lever	170	100	1/2"
2	549086	ceramic tap head 1/2"	lever	220	100	1/2"
2	549087	ceramic tap head 1/2"	lever	300	100	1/2"



technical data:
hole distance 150±20mm

fig.	Part No.	upper part	handle type	A (mm)	B (mm)	connection
1	591522	tap head 1/2"	hood	150	70	1/2"
1	591523	tap head 1/2"	hood	200	70	1/2"
1	591524	tap head 1/2"	hood	250	70	1/2"
1	591525	ceramic tap head 1/2"	hood	150	70	1/2"
1	591526	ceramic tap head 1/2"	hood	200	70	1/2"
1	591527	ceramic tap head 1/2"	hood	250	70	1/2"
2	549094	ceramic tap head 1/2"	lever	150	70	1/2"
2	549095	ceramic tap head 1/2"	lever	200	70	1/2"
2	549096	ceramic tap head 1/2"	lever	250	70	1/2"



technical data:
hole distance 150±20mm

fig.	Part No.	upper part	handle type	connection
1	591362	tap head 1/2"	hood	with pipe aerator
1	591598	ceramic tap head 1/2"	hood	with pipe aerator
2	591599	ceramic tap head 1/2"	lever	with pipe aerator



with tap head 3/4"

pillar taps



fig.	Part No.	upper part	handle type	A (mm)	B (mm)	connection
1	591370	tap head 3/4"	hood	250	165	3/4"
1	591371	tap head 3/4"	hood	250	250	3/4"
1	591372	tap head 3/4"	hood	250	320	3/4"
1	591373	tap head 3/4"	hood	300	165	3/4"
1	591374	tap head 3/4"	hood	300	250	3/4"
1	591375	tap head 3/4"	hood	300	320	3/4"
1	591376	tap head 3/4"	hood	350	165	3/4"
1	591377	tap head 3/4"	hood	350	250	3/4"
1	591378	tap head 3/4"	hood	350	250	3/4"
1	591528	tap head 3/4"	hood	400	165	3/4"
1	591529	tap head 3/4"	hood	400	250	3/4"
1	591530	tap head 3/4"	hood	400	320	3/4"
1	591531	tap head 3/4"	hood	450	165	3/4"
1	591532	tap head 3/4"	hood	450	250	3/4"
1	591533	tap head 3/4"	hood	450	320	3/4"
1	591534	ceramic tap head 3/4"	hood	250	165	3/4"
1	591535	ceramic tap head 3/4"	hood	250	250	3/4"
1	591536	ceramic tap head 3/4"	hood	250	320	3/4"
1	591537	ceramic tap head 3/4"	hood	300	165	3/4"
1	591538	ceramic tap head 3/4"	hood	300	250	3/4"
1	591539	ceramic tap head 3/4"	hood	300	320	3/4"
1	591540	ceramic tap head 3/4"	hood	350	165	3/4"
1	591541	ceramic tap head 3/4"	hood	350	250	3/4"
1	591542	ceramic tap head 3/4"	hood	350	320	3/4"
1	591543	ceramic tap head 3/4"	hood	400	165	3/4"
1	591544	ceramic tap head 3/4"	hood	400	250	3/4"
1	591545	ceramic tap head 3/4"	hood	400	320	3/4"
1	591546	ceramic tap head 3/4"	hood	450	165	3/4"
1	591547	ceramic tap head 3/4"	hood	450	250	3/4"
1	591548	ceramic tap head 3/4"	hood	450	320	3/4"
2	549150	ceramic tap head 3/4"	lever	250	165	3/4"
2	549151	ceramic tap head 3/4"	lever	250	250	3/4"
2	549152	ceramic tap head 3/4"	lever	250	320	3/4"
2	549154	ceramic tap head 3/4"	lever	300	165	3/4"
2	549155	ceramic tap head 3/4"	lever	300	250	3/4"
2	549156	ceramic tap head 3/4"	lever	300	320	3/4"
2	549158	ceramic tap head 3/4"	lever	350	165	3/4"
2	549159	ceramic tap head 3/4"	lever	350	250	3/4"
2	549160	ceramic tap head 3/4"	lever	350	320	3/4"
2	549162	ceramic tap head 3/4"	lever	400	165	3/4"
2	549163	ceramic tap head 3/4"	lever	400	250	3/4"
2	549164	ceramic tap head 3/4"	lever	400	320	3/4"
2	549166	ceramic tap head 3/4"	lever	450	165	3/4"
2	549167	ceramic tap head 3/4"	lever	450	250	3/4"
2	549168	ceramic tap head 3/4"	lever	450	320	3/4"

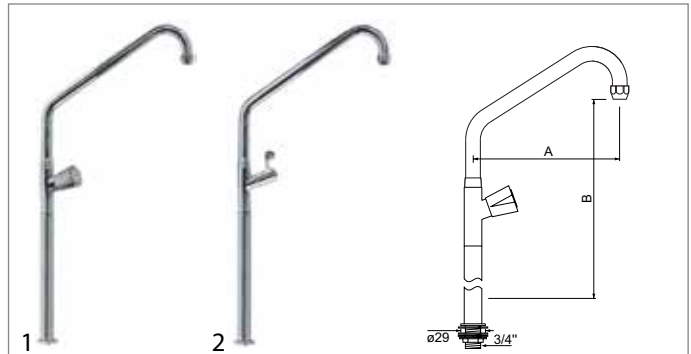


fig.	Part No.	upper part	handle type	A (mm)	B (mm)	connection
1	591379	tap head 3/4"	hood	250	550	3/4"
1	591380	tap head 3/4"	hood	250	620	3/4"
1	591381	tap head 3/4"	hood	300	500	3/4"
1	591382	tap head 3/4"	hood	300	620	3/4"
1	591383	tap head 3/4"	hood	350	550	3/4"
1	591384	tap head 3/4"	hood	350	620	3/4"
1	591549	tap head 3/4"	hood	400	550	3/4"
1	591550	tap head 3/4"	hood	400	620	3/4"
1	591551	ceramic tap head 3/4"	hood	250	550	3/4"
1	591552	ceramic tap head 3/4"	hood	250	620	3/4"
1	591553	ceramic tap head 3/4"	hood	300	550	3/4"
1	591554	ceramic tap head 3/4"	hood	300	620	3/4"
1	591555	ceramic tap head 3/4"	hood	350	550	3/4"
1	591556	ceramic tap head 3/4"	hood	350	620	3/4"
1	591557	ceramic tap head 3/4"	hood	400	550	3/4"
1	591558	ceramic tap head 3/4"	hood	400	620	3/4"
2	549219	ceramic tap head 3/4"	lever	250	550	3/4"
2	549220	ceramic tap head 3/4"	lever	250	620	3/4"
2	549221	ceramic tap head 3/4"	lever	300	550	3/4"
2	549222	ceramic tap head 3/4"	lever	300	620	3/4"
2	549223	ceramic tap head 3/4"	lever	350	550	3/4"
2	549224	ceramic tap head 3/4"	lever	350	620	3/4"
2	549225	ceramic tap head 3/4"	lever	400	550	3/4"
2	549226	ceramic tap head 3/4"	lever	400	620	3/4"

swivel taps

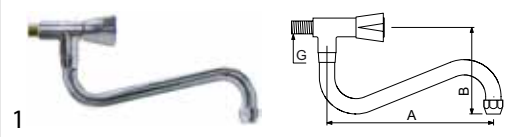


fig.	Part No.	upper part	handle type	A (mm)	B (mm)	connection
1	591418	tap head 3/4"	hood	250	140	1/2"
1	591449	tap head 3/4"	hood	250	140	3/4"
1	591419	tap head 3/4"	hood	300	140	1/2"
1	591450	tap head 3/4"	hood	300	140	3/4"
1	591420	tap head 3/4"	hood	450	140	1/2"
1	591451	tap head 3/4"	hood	450	140	3/4"



swivel taps with screw connection

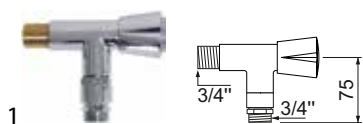


fig.	Part No.	upper part	handle type	connection
1	549990	tap head 3/4"	hood	with pipe aerator 3/4"

monobloc taps



fig.	Part No.	upper part	handle type	A (mm)	B (mm)	connection
1	591385	tap head 3/4"	hood	250	165	3/4"
1	591386	tap head 3/4"	hood	250	250	3/4"
1	591306	tap head 3/4"	hood	250	320	3/4"
1	591387	tap head 3/4"	hood	300	165	3/4"
1	591388	tap head 3/4"	hood	300	250	3/4"
1	591307	tap head 3/4"	hood	300	320	3/4"
1	591389	tap head 3/4"	hood	350	165	3/4"
1	591390	tap head 3/4"	hood	350	250	3/4"
1	591391	tap head 3/4"	hood	400	165	3/4"
1	591392	tap head 3/4"	hood	400	250	3/4"
1	591308	tap head 3/4"	hood	400	320	3/4"
1	591393	tap head 3/4"	hood	400	320	3/4"
1	591559	tap head 3/4"	hood	450	165	3/4"
1	591560	tap head 3/4"	hood	450	250	3/4"
1	591561	tap head 3/4"	hood	450	320	3/4"
1	591562	ceramic tap head 3/4"	hood	250	165	3/4"
1	591563	ceramic tap head 3/4"	hood	250	250	3/4"
1	591564	ceramic tap head 3/4"	hood	250	320	3/4"
1	591565	ceramic tap head 3/4"	hood	300	165	3/4"
1	591566	ceramic tap head 3/4"	hood	300	250	3/4"
1	591567	ceramic tap head 3/4"	hood	300	320	3/4"
1	591568	ceramic tap head 3/4"	hood	350	165	3/4"
1	591569	ceramic tap head 3/4"	hood	350	250	3/4"
1	591570	ceramic tap head 3/4"	hood	350	320	3/4"
1	591571	ceramic tap head 3/4"	hood	400	165	3/4"
1	591572	ceramic tap head 3/4"	hood	400	250	3/4"
1	591573	ceramic tap head 3/4"	hood	400	320	3/4"
1	591574	ceramic tap head 3/4"	hood	450	165	3/4"
1	591575	ceramic tap head 3/4"	hood	450	250	3/4"
1	591576	ceramic tap head 3/4"	hood	450	320	3/4"
2	549429	ceramic tap head 3/4"	lever	250	165	3/4"
2	549430	ceramic tap head 3/4"	lever	250	250	3/4"
2	549431	ceramic tap head 3/4"	lever	250	320	3/4"
2	549433	ceramic tap head 3/4"	lever	300	170	3/4"
2	549434	ceramic tap head 3/4"	lever	300	250	3/4"
2	549435	ceramic tap head 3/4"	lever	300	320	3/4"
2	549437	ceramic tap head 3/4"	lever	350	165	3/4"

fig.	Part No.	upper part	handle type	A (mm)	B (mm)	connection
2	549438	ceramic tap head 3/4"	lever	350	250	3/4"
2	549439	ceramic tap head 3/4"	lever	350	320	3/4"
2	549441	ceramic tap head 3/4"	lever	400	165	3/4"
2	549442	ceramic tap head 3/4"	lever	400	250	3/4"
2	549443	ceramic tap head 3/4"	lever	400	320	3/4"
2	549445	ceramic tap head 3/4"	lever	450	165	3/4"
2	549446	ceramic tap head 3/4"	lever	450	250	3/4"
2	549447	ceramic tap head 3/4"	lever	450	320	3/4"

monobloc taps with pillar

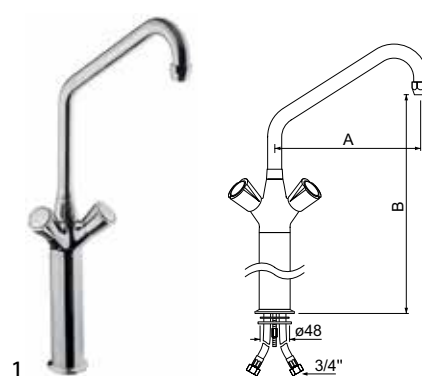


fig.	Part No.	upper part	handle type	A (mm)	B (mm)	connection
1	591394	tap head 3/4"	hood	250	410	3/4"
1	591309	tap head 3/4"	hood	250	420	3/4"
1	591397	tap head 3/4"	hood	250	510	3/4"
1	591312	tap head 3/4"	hood	250	520	3/4"
1	591400	tap head 3/4"	hood	250	610	3/4"
1	591395	tap head 3/4"	hood	300	410	3/4"
1	591310	tap head 3/4"	hood	300	420	3/4"
1	591398	tap head 3/4"	hood	300	510	3/4"
1	591313	tap head 3/4"	hood	300	520	3/4"
1	591401	tap head 3/4"	hood	300	610	3/4"
1	591396	tap head 3/4"	hood	350	410	3/4"
1	591399	tap head 3/4"	hood	350	510	3/4"
1	591402	tap head 3/4"	hood	350	610	3/4"
1	591577	tap head 3/4"	hood	400	410	3/4"
1	591311	tap head 3/4"	hood	400	420	3/4"
1	591584	tap head 3/4"	hood	400	510	3/4"
1	591314	tap head 3/4"	hood	400	520	3/4"
1	591591	tap head 3/4"	hood	400	610	3/4"
1	591578	tap head 3/4"	hood	450	410	3/4"
1	591585	tap head 3/4"	hood	450	510	3/4"
1	591592	tap head 3/4"	hood	450	610	3/4"
1	591579	ceramic tap head 3/4"	hood	250	410	3/4"
1	591586	ceramic tap head 3/4"	hood	250	510	3/4"
1	591593	ceramic tap head 3/4"	hood	250	610	3/4"
1	591580	ceramic tap head 3/4"	hood	300	410	3/4"
1	591587	ceramic tap head 3/4"	hood	300	510	3/4"
1	591594	ceramic tap head 3/4"	hood	300	610	3/4"
1	591581	ceramic tap head 3/4"	hood	350	410	3/4"
1	591588	ceramic tap head 3/4"	hood	350	510	3/4"
1	591595	ceramic tap head 3/4"	hood	350	610	3/4"
1	591582	ceramic tap head 3/4"	hood	400	410	3/4"

Table continues overleaf

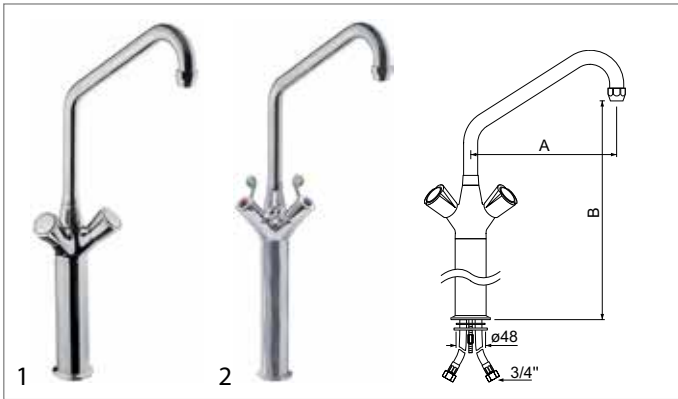
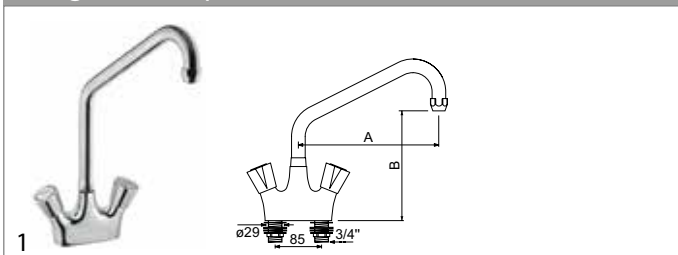


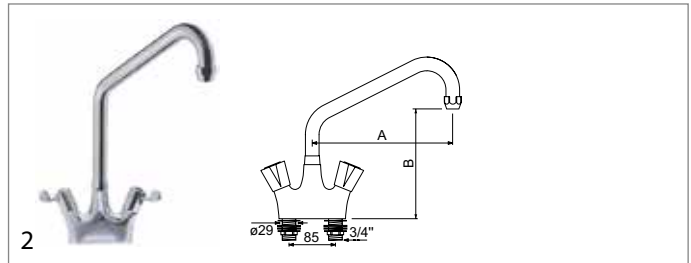
fig.	Part No.	upper part	handle type	A (mm)	B (mm)	connection
1	591589	ceramic tap head 3/4"	hood	400	510	3/4"
1	591596	ceramic tap head 3/4"	hood	400	610	3/4"
1	591583	ceramic tap head 3/4"	hood	450	410	3/4"
1	591590	ceramic tap head 3/4"	hood	450	510	3/4"
1	591597	ceramic tap head 3/4"	hood	450	610	3/4"
2	549468	ceramic tap head 3/4"	lever	250	410	3/4"
2	549528	ceramic tap head 3/4"	lever	250	510	3/4"
2	549558	ceramic tap head 3/4"	lever	250	610	3/4"
2	549470	ceramic tap head 3/4"	lever	300	410	3/4"
2	549530	ceramic tap head 3/4"	lever	300	510	3/4"
2	549560	ceramic tap head 3/4"	lever	300	610	3/4"
2	549472	ceramic tap head 3/4"	lever	350	410	3/4"
2	549532	ceramic tap head 3/4"	lever	350	510	3/4"
2	549562	ceramic tap head 3/4"	lever	350	610	3/4"
2	549474	ceramic tap head 3/4"	lever	400	410	3/4"
2	549534	ceramic tap head 3/4"	lever	400	510	3/4"
2	549564	ceramic tap head 3/4"	lever	400	610	3/4"
2	549476	ceramic tap head 3/4"	lever	450	410	3/4"
2	549536	ceramic tap head 3/4"	lever	450	510	3/4"
2	549566	ceramic tap head 3/4"	lever	450	610	3/4"

bridge mixer taps



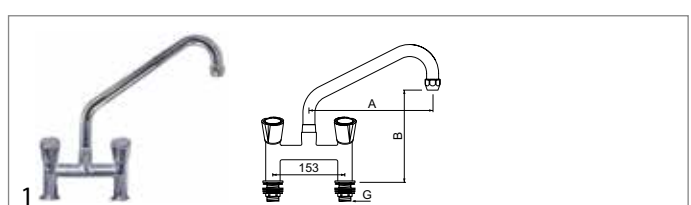
technical data:
hole distance 85mm

fig.	Part No.	upper part	handle type	A (mm)	B (mm)	connection
1	591600	tap head 3/4"	hood	250	110	3/4"
1	591403	tap head 3/4"	hood	250	165	3/4"
1	591404	tap head 3/4"	hood	250	250	3/4"
1	591405	tap head 3/4"	hood	250	320	3/4"
1	591601	tap head 3/4"	hood	300	110	3/4"
1	591406	tap head 3/4"	hood	300	165	3/4"
1	591407	tap head 3/4"	hood	300	250	3/4"
1	591408	tap head 3/4"	hood	300	320	3/4"
1	591409	tap head 3/4"	hood	350	165	3/4"
1	591410	tap head 3/4"	hood	350	250	3/4"
1	591411	tap head 3/4"	hood	350	320	3/4"



technical data:
hole distance 85mm

fig.	Part No.	upper part	handle type	A (mm)	B (mm)	connection
1	591660	tap head 3/4"	hood	400	165	3/4"
1	591661	tap head 3/4"	hood	400	250	3/4"
1	591662	tap head 3/4"	hood	400	320	3/4"
1	591602	ceramic tap head 3/4"	hood	250	110	3/4"
1	591603	ceramic tap head 3/4"	hood	250	165	3/4"
1	591604	ceramic tap head 3/4"	hood	250	250	3/4"
1	591605	ceramic tap head 3/4"	hood	250	320	3/4"
1	591606	ceramic tap head 3/4"	hood	300	110	3/4"
1	591607	ceramic tap head 3/4"	hood	300	165	3/4"
1	591608	ceramic tap head 3/4"	hood	300	250	3/4"
1	591609	ceramic tap head 3/4"	hood	300	320	3/4"
1	591610	ceramic tap head 3/4"	hood	350	165	3/4"
1	591611	ceramic tap head 3/4"	hood	350	250	3/4"
1	591612	ceramic tap head 3/4"	hood	350	320	3/4"
1	591613	ceramic tap head 3/4"	hood	400	165	3/4"
1	591614	ceramic tap head 3/4"	hood	400	250	3/4"
1	591615	ceramic tap head 3/4"	hood	400	320	3/4"
2	549317	ceramic tap head 3/4"	lever	250	110	3/4"
2	549318	ceramic tap head 3/4"	lever	250	110	3/4"
2	549606	ceramic tap head 3/4"	lever	250	165	3/4"
2	549607	ceramic tap head 3/4"	lever	250	250	3/4"
2	549608	ceramic tap head 3/4"	lever	250	320	3/4"
2	549610	ceramic tap head 3/4"	lever	300	165	3/4"
2	549611	ceramic tap head 3/4"	lever	300	250	3/4"
2	549612	ceramic tap head 3/4"	lever	300	320	3/4"
2	549614	ceramic tap head 3/4"	lever	350	165	3/4"
2	549615	ceramic tap head 3/4"	lever	350	250	3/4"
2	549616	ceramic tap head 3/4"	lever	350	320	3/4"
2	549618	ceramic tap head 3/4"	lever	400	165	3/4"
2	549619	ceramic tap head 3/4"	lever	400	250	3/4"
2	549620	ceramic tap head 3/4"	lever	400	320	3/4"



technical data:
hole distance 153mm

fig.	Part No.	upper part	handle type	A (mm)	B (mm)	G
1	591616	tap head 3/4"	hood	250	165	1/2"
1	591637	tap head 3/4"	hood	250	165	3/4"
1	591424	tap head 3/4"	hood	250	250	1/2"
1	591412	tap head 3/4"	hood	250	250	3/4"

Table continues overleaf



technical data:
hole distance 153mm

fig.	Part No.	upper part	handle type	A (mm)	B (mm)	G
1	591425	tap head 3/4"	hood	250	320	1/2"
1	591413	tap head 3/4"	hood	250	320	3/4"
1	591617	tap head 3/4"	hood	300	165	1/2"
1	591638	tap head 3/4"	hood	300	165	3/4"
1	591426	tap head 3/4"	hood	300	250	1/2"
1	591414	tap head 3/4"	hood	300	250	3/4"
1	591427	tap head 3/4"	hood	300	320	1/2"
1	591415	tap head 3/4"	hood	300	320	3/4"
1	591618	tap head 3/4"	hood	350	165	1/2"
1	591639	tap head 3/4"	hood	350	165	3/4"
1	591428	tap head 3/4"	hood	350	250	1/2"
1	591416	tap head 3/4"	hood	350	250	3/4"
1	591429	tap head 3/4"	hood	350	320	1/2"
1	591417	tap head 3/4"	hood	350	320	3/4"
1	591619	ceramic tap head 3/4"	hood	250	165	1/2"
1	591640	ceramic tap head 3/4"	hood	250	165	3/4"
1	591620	ceramic tap head 3/4"	hood	250	250	1/2"
1	591641	ceramic tap head 3/4"	hood	250	250	3/4"
1	591621	ceramic tap head 3/4"	hood	250	320	1/2"
1	591642	ceramic tap head 3/4"	hood	250	320	3/4"
1	591622	ceramic tap head 3/4"	hood	300	165	1/2"
1	591643	ceramic tap head 3/4"	hood	300	165	3/4"
1	591623	ceramic tap head 3/4"	hood	300	250	1/2"
1	591644	ceramic tap head 3/4"	hood	300	250	3/4"
1	591624	ceramic tap head 3/4"	hood	300	320	1/2"
1	591645	ceramic tap head 3/4"	hood	300	320	3/4"
1	591625	ceramic tap head 3/4"	hood	350	165	1/2"
1	591646	ceramic tap head 3/4"	hood	350	165	3/4"
1	591626	ceramic tap head 3/4"	hood	350	250	1/2"
1	591647	ceramic tap head 3/4"	hood	350	250	3/4"
1	591627	ceramic tap head 3/4"	hood	350	320	1/2"
1	591648	ceramic tap head 3/4"	hood	350	320	3/4"
1	591628	ceramic tap head 3/4"	hood	250	165	1/2"
1	591629	ceramic tap head 3/4"	hood	250	250	1/2"
2	549663	ceramic tap head 3/4"	lever	250	165	3/4"
2	549664	ceramic tap head 3/4"	lever	250	250	3/4"
2	591630	ceramic tap head 3/4"	lever	250	320	1/2"
2	549665	ceramic tap head 3/4"	lever	250	320	3/4"
2	591631	ceramic tap head 3/4"	lever	300	165	1/2"
2	549667	ceramic tap head 3/4"	lever	300	165	3/4"
2	591632	ceramic tap head 3/4"	lever	300	250	1/2"
2	549668	ceramic tap head 3/4"	lever	300	250	3/4"
2	591633	ceramic tap head 3/4"	lever	300	320	1/2"
2	549669	ceramic tap head 3/4"	lever	300	320	3/4"
2	591634	ceramic tap head 3/4"	lever	350	165	1/2"

fig.	Part No.	upper part	handle type	A (mm)	B (mm)	G
2	549671	ceramic tap head 3/4"	lever	350	165	3/4"
2	591635	ceramic tap head 3/4"	lever	350	250	1/2"
2	549672	ceramic tap head 3/4"	lever	350	250	3/4"
2	591636	ceramic tap head 3/4"	lever	350	320	1/2"
2	549673	ceramic tap head 3/4"	lever	350	320	3/4"

wall-mounted water taps



technical data:
hole distance 150±20mm

fig.	Part No.	upper part	handle type	A (mm)	B (mm)	G
1	591421	tap head 3/4"	hood	230	140	1/2"
1	591351	tap head 3/4"	hood	230	140	3/4"
1	591422	tap head 3/4"	hood	300	140	1/2"
1	591352	tap head 3/4"	hood	300	140	3/4"
1	591423	tap head 3/4"	hood	450	140	1/2"
1	591652	tap head 3/4"	hood	450	140	3/4"
1	591649	ceramic tap head 3/4"	hood	230	140	1/2"
1	591653	ceramic tap head 3/4"	hood	230	140	3/4"
1	591650	ceramic tap head 3/4"	hood	300	140	1/2"
1	591654	ceramic tap head 3/4"	hood	300	140	3/4"
1	591651	ceramic tap head 3/4"	hood	450	140	1/2"
1	591655	ceramic tap head 3/4"	hood	450	140	3/4"
2	549690	ceramic tap head 3/4"	lever	230	140	1/2"
2	549738	ceramic tap head 3/4"	lever	230	140	3/4"
2	549691	ceramic tap head 3/4"	lever	300	140	1/2"
2	549739	ceramic tap head 3/4"	lever	300	140	3/4"
2	549692	ceramic tap head 3/4"	lever	450	140	1/2"
2	549740	ceramic tap head 3/4"	lever	450	140	3/4"

wall-mounted water taps with hose connection



technical data:
hole distance 150±20mm

fig.	Part No.	upper part	handle type	connection
1	591363	tap head 3/4"	hood	with pipe aerator 3/4"
1	591658	ceramic tap head 3/4"	hood	with pipe aerator 3/4"
2	591659	ceramic tap head 3/4"	lever	with pipe aerator 3/4"



single lever monobloc taps

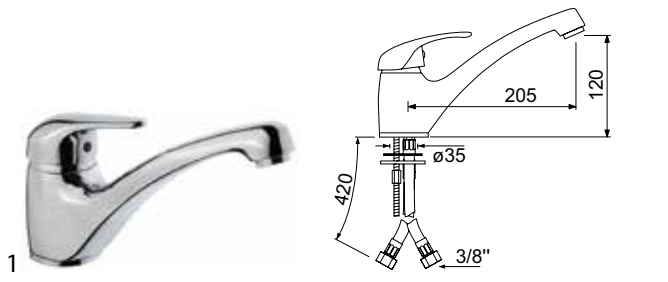


fig.	Part No.	version	cartridge	A (mm)	B (mm)	connection
1	591327	high pressure	ceramic cartridge ø 44mm	205	120	3/8"
1	591328	low pressure	ceramic cartridge ø 44mm	205	120	3/8"

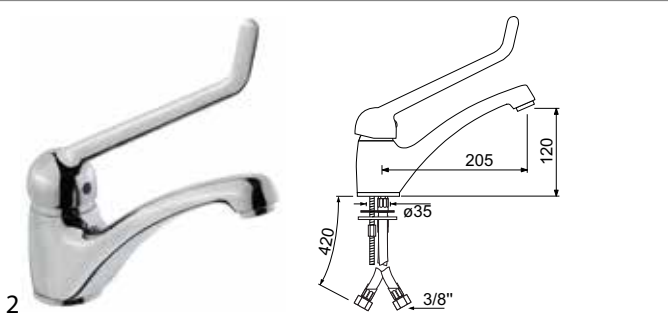


fig.	Part No.	version	cartridge	A (mm)	B (mm)	connection
2	591329	high pressure	ceramic cartridge ø 44mm	205	120	3/8"
2	591330	low pressure	ceramic cartridge ø 44mm	205	120	3/8"

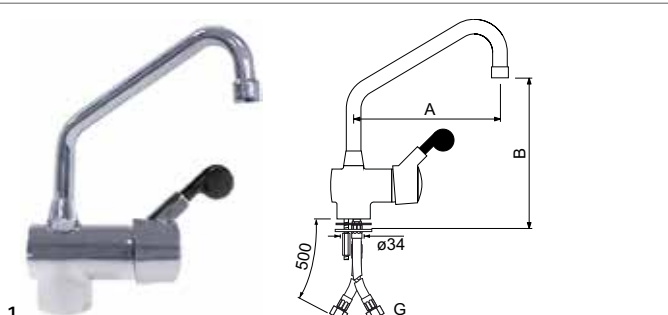


fig.	Part No.	cartridge	A (mm)	B (mm)	G
1	549370	ceramic cartridge ø 40mm	150	255	3/8"
1	549375	ceramic cartridge ø 40mm	150	255	1/2"
1	549371	ceramic cartridge ø 40mm	200	255	3/8"
1	549376	ceramic cartridge ø 40mm	200	255	1/2"
1	549372	ceramic cartridge ø 40mm	250	255	3/8"
1	549377	ceramic cartridge ø 40mm	250	255	1/2"
1	549373	ceramic cartridge ø 40mm	250	355	3/8"
1	549378	ceramic cartridge ø 40mm	250	355	1/2"
1	549374	ceramic cartridge ø 40mm	300	255	3/8"
1	549379	ceramic cartridge ø 40mm	300	255	1/2"

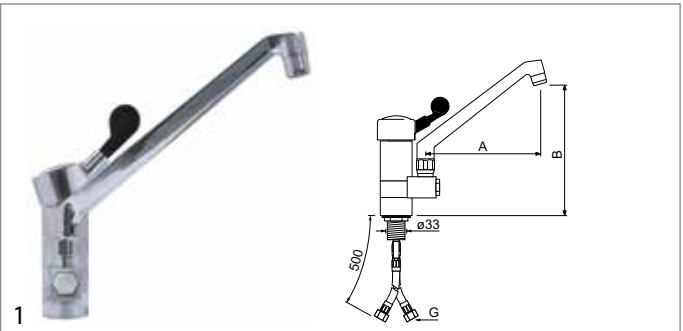


fig.	Part No.	cartridge	A (mm)	B (mm)	G
1	547872	ceramic cartridge ø 47mm	200	200	3/8"
1	548048	ceramic cartridge ø 47mm	200	210	1/2"
1	548049	ceramic cartridge ø 47mm	250	120	1/2"
1	547873	ceramic cartridge ø 47mm	250	250	3/8"

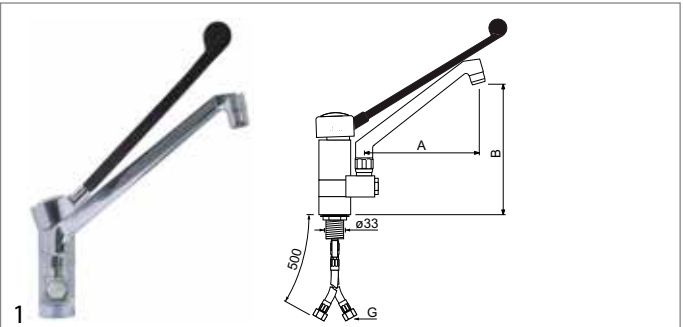


fig.	Part No.	cartridge	A (mm)	B (mm)	G
1	547874	ceramic cartridge ø 47mm	200	120	3/8"
1	548051	ceramic cartridge ø 47mm	200	120	1/2"
1	548050	ceramic cartridge ø 47mm	250	120	3/8"
1	548052	ceramic cartridge ø 47mm	250	120	1/2"

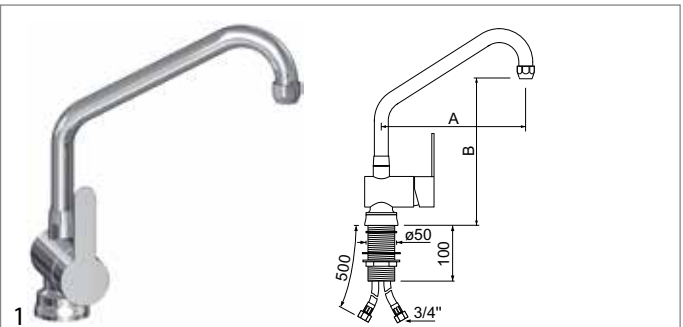


fig.	Part No.	cartridge	A (mm)	B (mm)	connection
1	591335	ceramic cartridge ø 40mm	250	330	3/4"
1	591336	ceramic cartridge ø 40mm	300	320	3/4"
1	591337	ceramic cartridge ø 40mm	400	320	3/4"

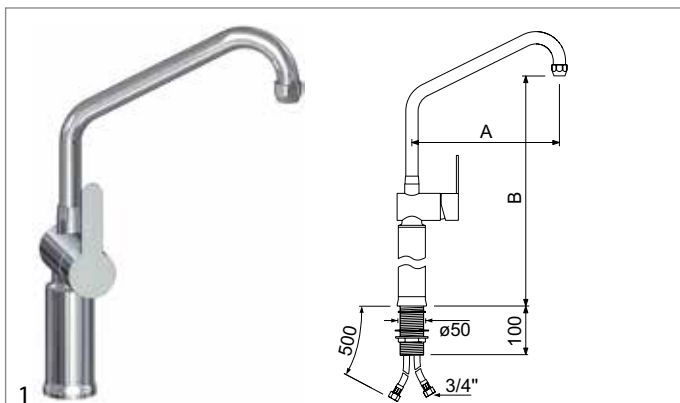
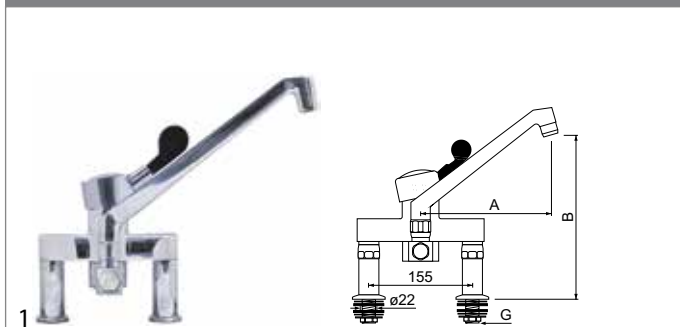


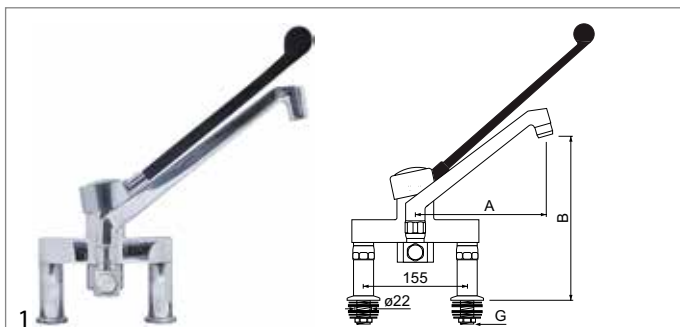
fig.	Part No.	cartridge	A (mm)	B (mm)	connection
1	591338	ceramic cartridge ø 40mm	250	420	3/4"
1	591341	ceramic cartridge ø 40mm	250	520	3/4"
1	591339	ceramic cartridge ø 40mm	300	420	3/4"
1	591342	ceramic cartridge ø 40mm	300	520	3/4"
1	591340	ceramic cartridge ø 40mm	400	420	3/4"
1	591343	ceramic cartridge ø 40mm	400	520	3/4"

single lever bridge mixer taps



technical data:
hole distance 155mm

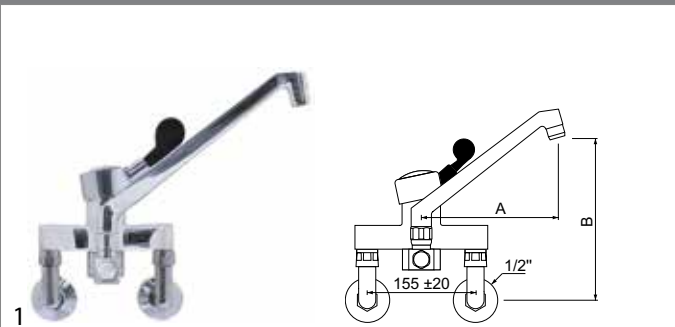
fig.	Part No.	cartridge	A (mm)	B (mm)	G
1	548073	ceramic cartridge ø 47mm	200	140	1/2"
1	548076	ceramic cartridge ø 47mm	200	140	3/4"
1	548074	ceramic cartridge ø 47mm	250	140	1/2"
1	548077	ceramic cartridge ø 47mm	250	140	3/4"



technical data:
hole distance 155mm

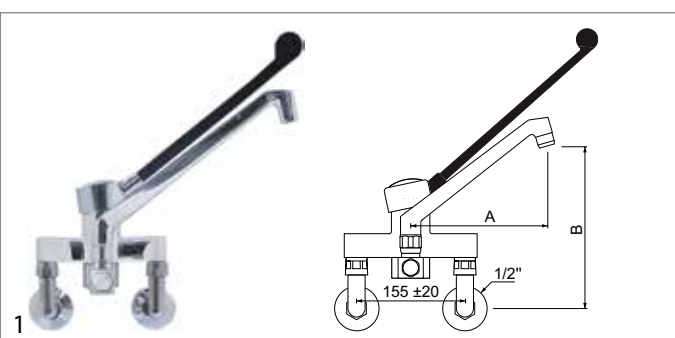
fig.	Part No.	cartridge	A (mm)	B (mm)	G
1	547773	ceramic cartridge ø 47mm	200	140	1/2"
1	548078	ceramic cartridge ø 47mm	200	140	3/4"
1	547774	ceramic cartridge ø 47mm	250	140	1/2"
1	548079	ceramic cartridge ø 47mm	250	140	3/4"

single lever wall-mounted water taps



technical data:
hole distance 155±20mm

fig.	Part No.	cartridge	A (mm)	B (mm)	connector
1	548223	ceramic cartridge ø 47mm	200	200	1/2"
1	548224	ceramic cartridge ø 47mm	250	240	1/2"



technical data:
hole distance 155±20mm

fig.	Part No.	cartridge	A (mm)	B (mm)	connector
1	548225	ceramic cartridge ø 47mm	200	200	1/2"
1	548226	ceramic cartridge ø 47mm	250	240	1/2"

spare parts and accessories



fig.	Part No.	description	TS	RA (°)	application
1	548416	tap head	1/2"	-	cold/hot water
1	548437	tap head	3/4"	-	cold/hot water
2	548414	ceramic tap head	1/2"	90	cold water
2	548425	ceramic tap head	1/2"	180	cold water
2	548434	ceramic tap head	3/4"	90	cold water
2	548436	ceramic tap head	3/4"	180	cold water
3	548415	ceramic tap head	1/2"	90	hot water
3	548424	ceramic tap head	1/2"	180	hot water
3	548433	ceramic tap head	3/4"	90	hot water
3	548435	ceramic tap head	3/4"	180	hot water



fig.	Part No.	description	version	application
1	592180	hood handle	for tap heads 1/2" and 3/4"	cold water
2	592181	hood handle	for tap heads 1/2" and 3/4"	hot water
3	547965	triangular handle	for tap heads 1/2" and 3/4"	cold/hot water
4	548334	lever handle	for tap heads 1/2"	cold/hot water
4	548348	lever handle	for tap heads 3/4"	cold/hot water



fig.	Part No.	description	D1 ø (mm)	H1 (mm)
1	540452	ceramic cartridge	40	30
2	592179	ceramic cartridge	40	31
3	540450	ceramic cartridge	40	43



fig.	Part No.	description	D1 ø (mm)	H1 (mm)
4	541403	ceramic cartridge	47	30.5
5	549321	ceramic cartridge	47	34



fig.	Part No.	description	handle length (mm)	ø (mm)	intake	for cartridge
1	547071	lever handle	71	54	10x10,6mm	ø40mm
2	548047	lever handle	71	64	10x10,6mm	ø47mm
3	592167	lever handle	108	55	10x10,6mm	ø40/47mm




fig.	Part No.	description	handle length (mm)	ø (mm)	intake	for cartridge
4	548282	lever handle	375	63	10x10,6mm	ø47mm



fig.	Part No.	description	tube ø (mm)	projection (mm)	spout height (mm)
1	548393	HU-spout	20	150	120
1	548390	HU-spout	20	200	120
1	548391	HU-spout	20	250	120
1	548523	HU-spout	20	250	220
1	548392	HU-spout	20	300	120
2	548394	HU-spout	25	250	65
2	548373	HU-spout	25	250	150
2	548509	HU-spout	25	250	220
2	548510	HU-spout	25	250	310
2	548511	HU-spout	25	300	65
2	548374	HU-spout	25	300	150
2	548480	HU-spout	25	300	220
2	548512	HU-spout	25	300	310
2	548513	HU-spout	25	350	65
2	548386	HU-spout	25	350	150
2	548514	HU-spout	25	350	220
2	548515	HU-spout	25	350	310
2	548516	HU-spout	25	400	65
2	548517	HU-spout	25	400	150
2	548518	HU-spout	25	400	220
2	548519	HU-spout	25	400	310
2	548520	HU-spout	25	450	65
2	548521	HU-spout	25	450	150
2	548522	HU-spout	25	450	310




fig.	Part No.	description	tube ø (mm)	projection (mm)	spout height (mm)
3	540196	HU-spout	-	200	120
3	540197	HU-spout	-	250	190
4	548525	S spout	20	170	80
4	548369	S spout	20	220	80
4	548370	S spout	20	300	80
4	548371	S spout	25	250	113
4	548372	S spout	25	300	113
4	548395	S spout	25	450	113


5

fig.	Part No.	description	tube ø (mm)	projection (mm)	spout height (mm)
5	548524	U spout	20	150	110
5	548375	U spout	25	250	104




1 2 3 4

fig.	Part No.	description	TS	version	at 3bar (l/min)
1	541392	tap aerator	3/4"	with plastic insert	ca.80
2	548383	tap aerator	M22x1	with plastic insert	ca.22
3	548385	tap aerator	M22x1	with plastic insert	ca.44
4	548384	tap aerator	M24x1	with plastic insert	ca.22



1

fig.	Part No.	description	connections	L (mm)
1	520466	flex hose	3/8" - M10x1	500
1	520465	flex hose	1/2" - M10x1	500
1	520472	flex hose	1/2" - M10x1	800



2

fig.	Part No.	description	connections	L (mm)
2	592154	flex hose	1/2" - M14x1	500
2	592155	flex hose	1/2" - M14x1	600
2	592156	flex hose	1/2" - M14x1	800
2	520392	flex hose	3/4" - 3/8"	700
2	520393	flex hose	3/4" - 3/8"	1000



1 2

fig.	Part No.	description
1	515090	eccentrics connection 1/2" - 3/4" with rosette Qty 2 pcs
1	515019	eccentrics connection 3/4" - 3/4" with rosette Qty 2 pcs
2	540039	pipe aerator inlet 3/4" outlet 3/4" approval DVGW



INOX

monobloc taps

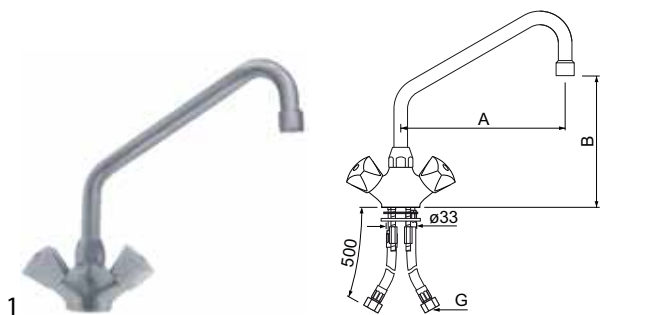
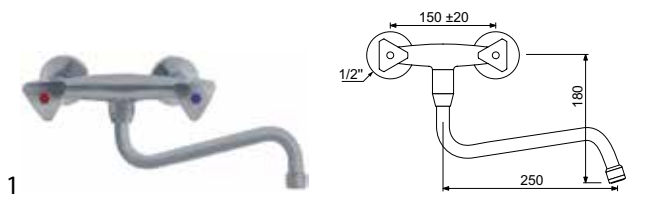


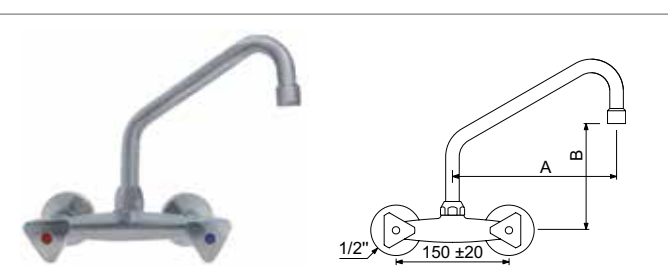
fig.	Part No.	upper part	A (mm)	B (mm)	G
1	545146	tap head 1/2"	185	150	3/8"
1	545149	tap head 1/2"	185	150	1/2"
1	545147	tap head 1/2"	220	170	3/8"
1	545150	tap head 1/2"	220	170	1/2"
1	545148	tap head 1/2"	255	190	3/8"
1	545151	tap head 1/2"	255	190	1/2"
1	549890	ceramic tap head 1/2"	185	150	3/8"
1	549891	ceramic tap head 1/2"	185	150	1/2"
1	549892	ceramic tap head 1/2"	220	170	3/8"
1	549893	ceramic tap head 1/2"	220	170	1/2"
1	549894	ceramic tap head 1/2"	255	190	3/8"
1	549895	ceramic tap head 1/2"	255	190	1/2"

wall-mounted water taps



technical data:
hole distance 150±20mm

fig.	Part No.	upper part	spout length (mm)	spout height (mm)	connection
1	549905	ceramic tap head 1/2"	250	155	1/2"



technical data:
hole distance 150±20mm

pos.	Part No.	upper part	A (mm)	B (mm)	connection
1	549902	ceramic tap head 1/2"	185	120	1/2"
2	549903	ceramic tap head 1/2"	220	140	1/2"
3	549904	ceramic tap head 1/2"	255	160	1/2"

single lever monobloc taps

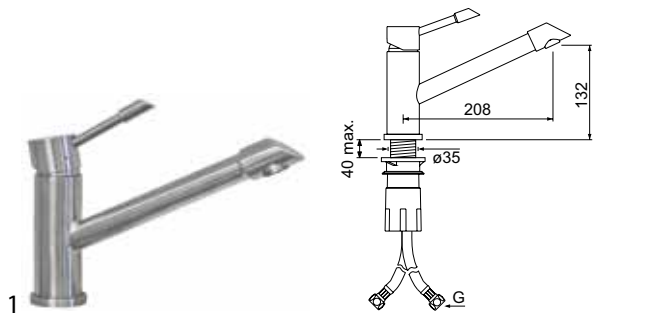


fig.	Part No.	cartridge	spout length (mm)	spout height (mm)	G
1	546251	ceramic cartridge ø 35mm	208	132	3/8"

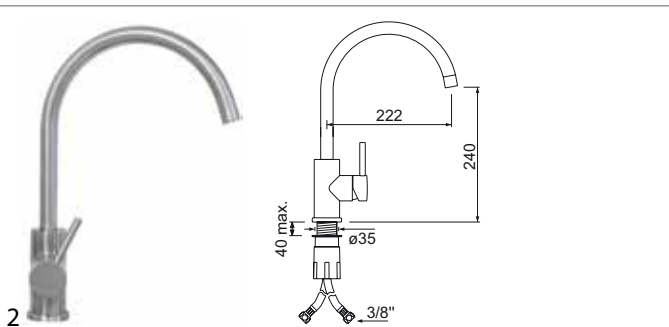


fig.	Part No.	cartridge	spout length (mm)	spout height (mm)	G
2	546252	ceramic cartridge ø 35mm	222	240	3/8"

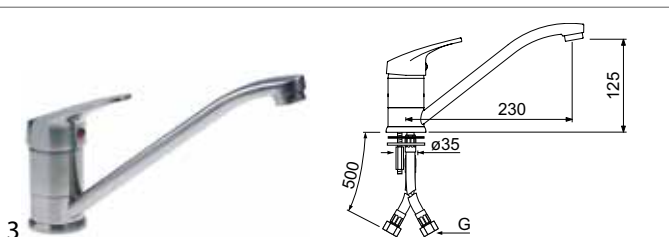
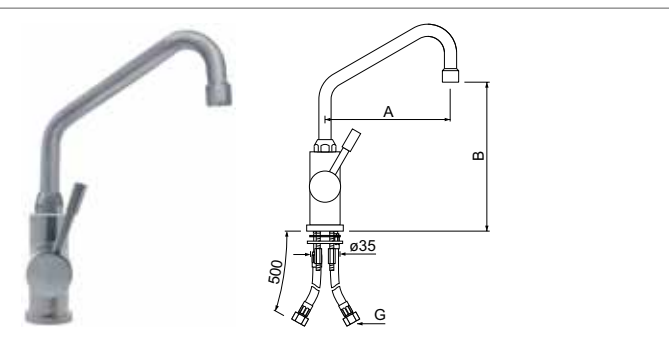


fig.	Part No.	cartridge	spout length (mm)	spout height (mm)	G
3	549910	ceramic cartridge ø 40mm	230	125	3/8"
3	549911	ceramic cartridge ø 40mm	230	125	1/2"



pos.	Part No.	cartridge	A (mm)	B (mm)	G
1	549896	ceramic cartridge ø 35mm	185	220	3/8"
2	549898	ceramic cartridge ø 35mm	220	240	3/8"
3	549900	ceramic cartridge ø 35mm	255	260	3/8"
4	549897	ceramic cartridge ø 35mm	185	220	1/2"
5	549899	ceramic cartridge ø 35mm	220	240	1/2"
6	549901	ceramic cartridge ø 35mm	255	260	1/2"

with extendable spray gun

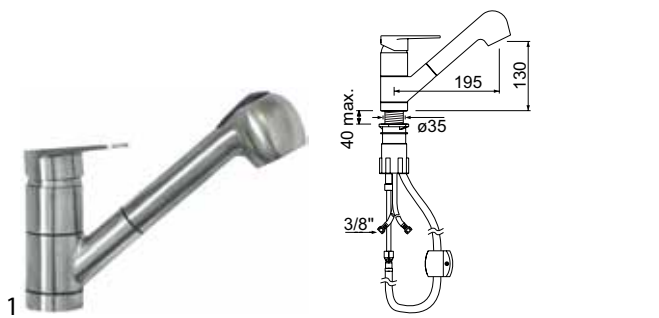


fig.	Part No.	cartridge	spout length (mm)	spout height (mm)	connection
1	546250	ceramic cartridge ø 40mm	195	130	3/8"

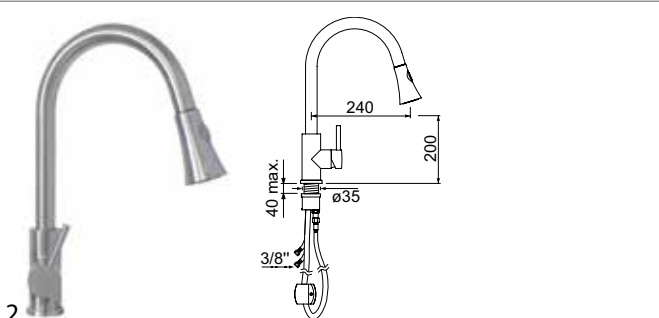


fig.	Part No.	cartridge	spout length (mm)	spout height (mm)	connection
2	546253	ceramic cartridge ø 35mm	240	200	3/8"

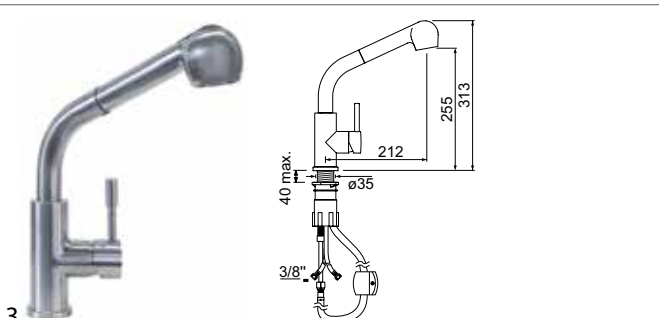
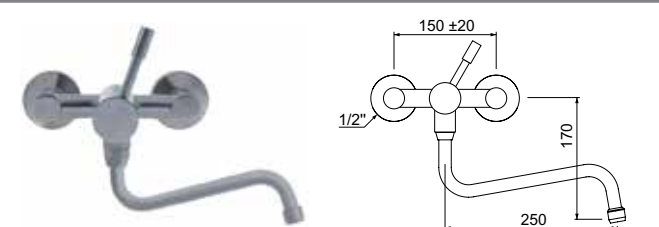


fig.	Part No.	cartridge	spout length (mm)	spout height (mm)	connection
3	549960	ceramic cartridge ø 35mm	212	255	3/8"

single lever wall-mounted water taps



technical data:
hole distance 150±20mm

pos.	Part No.	cartridge	spout length (mm)	spout height (mm)	connection
1	549909	ceramic cartridge ø 35mm	250	180	1/2"

spare parts and accessories



fig.	Part No.	description	TS	RA (°)	application
1	546008	tap head	1/2"	-	cold/hot water
2	549921	ceramic tap head	1/2"	90	cold water
3	549931	ceramic tap head	1/2"	90	hot water

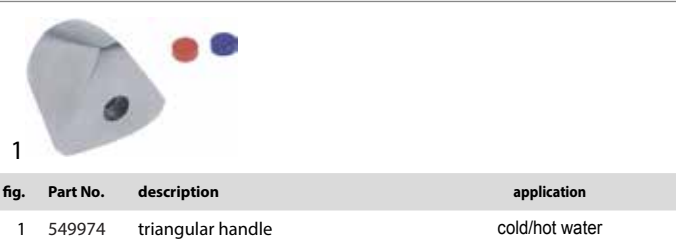


fig.	Part No.	description	application
1	549974	triangular handle	cold/hot water

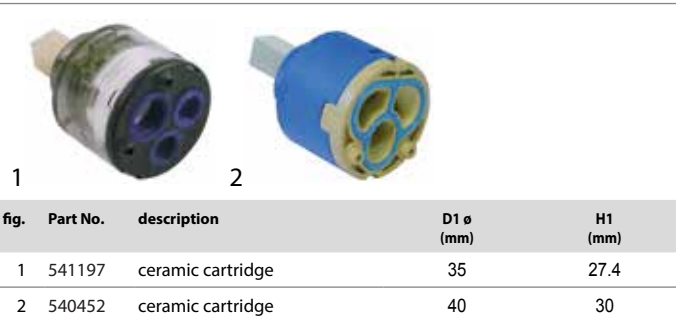


fig.	Part No.	description	D1 ø (mm)	H1 (mm)
1	541197	ceramic cartridge	35	27.4
2	540452	ceramic cartridge	40	30

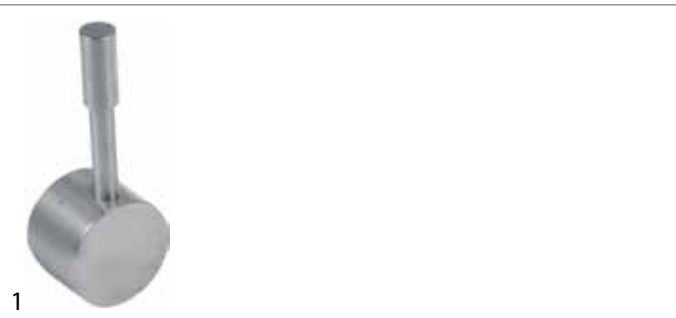


fig.	Part No.	description
1	549973	lever handle for cartridge ø35mm intake 9x9 suitable for INOX



fig.	Part No.	description	tube ø (mm)	projection (mm)	spout height (mm)
1	549685	HU-spout	18	185	100
2	546034	S spout	18	250	120



fig.	Part No.	description
1	546260	spray gun thread 1/2" for water tap
2	546266	spray gun thread 1/2" for water tap



fig.	Part No.	description	connections	L (mm)
1	546261 ¹	shower hose	1/2" - M15x1	1450

¹with SS connections



fig.	Part No.	description	connections	L (mm)
1	549924 ¹	flex hose	3/8" - M10x1	500
1	549923 ¹	flex hose	1/2" - M10x1	500

¹with SS connections



CLASSIC AMERICAN Style

pillar taps



fig.	Part No.	upper part	A (mm)	B (mm)	handle type	connection
1	545959	ceramic tap head 1/2"	85	35	hexagonal	1/2"
2	545958	ceramic tap head 1/2"	85	35	lever	1/2"

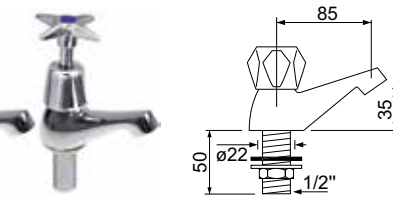


fig.	Part No.	upper part	A (mm)	B (mm)	handle type	connection
3	545960	ceramic tap head 1/2"	85	35	star	1/2"



fig.	Part No.	upper part	A (mm)	B (mm)	handle type	connection
4	545956	ceramic tap head 1/2"	78	106	hexagonal	1/2"
5	545955	ceramic tap head 1/2"	78	106	lever	1/2"

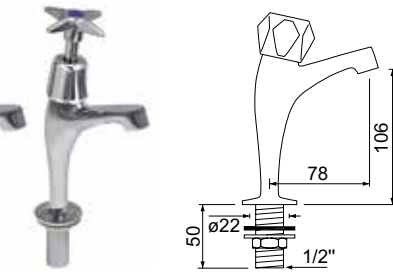


fig.	Part No.	upper part	A (mm)	B (mm)	handle type	connection
6	545957	ceramic tap head 1/2"	78	106	star	1/2"

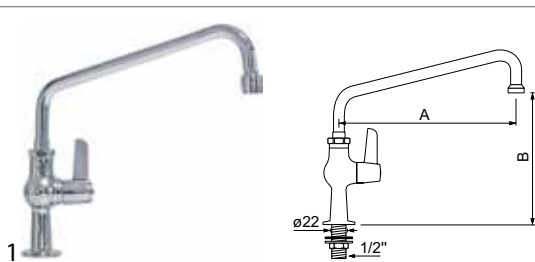


fig.	Part No.	upper part	A (mm)	B (mm)	connection
1	593101	ceramic tap head 1/2"	155	150	1/2"
1	593102	ceramic tap head 1/2"	205	165	1/2"
1	593103	ceramic tap head 1/2"	260	180	1/2"
1	593104	ceramic tap head 1/2"	300	195	1/2"
1	593105	ceramic tap head 1/2"	350	210	1/2"
1	593106	ceramic tap head 1/2"	400	215	1/2"
1	593107	ceramic tap head 1/2"	450	235	1/2"

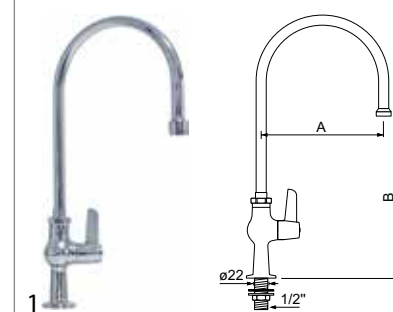


fig.	Part No.	upper part	A (mm)	B (mm)	connection
1	593108	ceramic tap head 1/2"	145	260	1/2"
1	593109	ceramic tap head 1/2"	190	245	1/2"
1	593110	ceramic tap head 1/2"	220	250	1/2"



monobloc taps

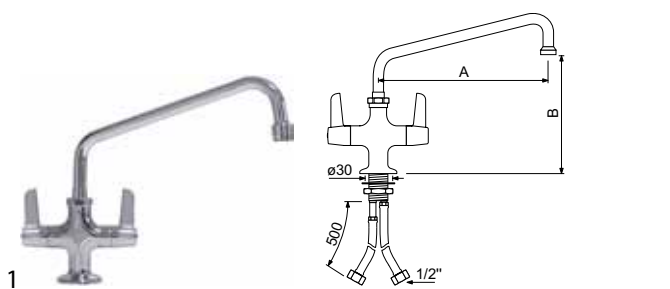


fig.	Part No.	upper part	A (mm)	B (mm)	connection
1	593120	ceramic tap head 1/2"	155	150	1/2"
1	593121	ceramic tap head 1/2"	205	165	1/2"
1	593122	ceramic tap head 1/2"	260	180	1/2"
1	593123	ceramic tap head 1/2"	300	195	1/2"
1	593124	ceramic tap head 1/2"	350	210	1/2"
1	593125	ceramic tap head 1/2"	400	215	1/2"
1	593126	ceramic tap head 1/2"	450	235	1/2"

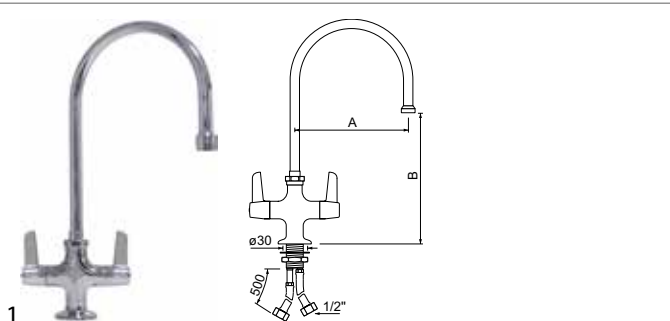
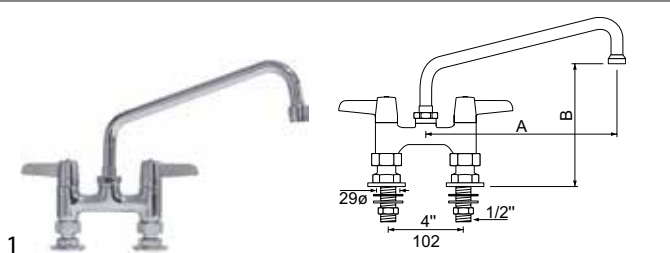


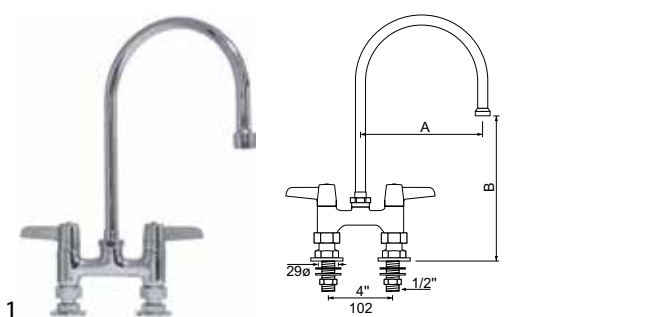
fig.	Part No.	upper part	A (mm)	B (mm)	connection
1	593127	ceramic tap head 1/2"	145	260	1/2"
1	593128	ceramic tap head 1/2"	190	245	1/2"
1	593129	ceramic tap head 1/2"	220	250	1/2"

bridge mixer taps



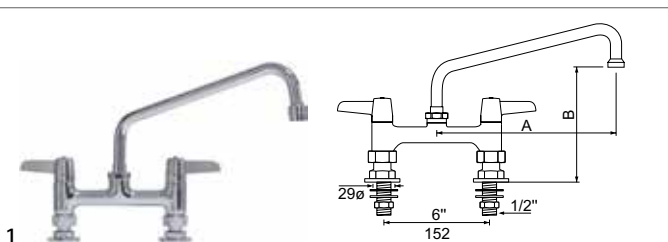
technical data:
hole distance 4" - 102mm

fig.	Part No.	upper part	A (mm)	B (mm)	connection
1	593130	ceramic tap head 1/2"	155	150	1/2"
1	593131	ceramic tap head 1/2"	205	165	1/2"
1	593132	ceramic tap head 1/2"	260	180	1/2"
1	593133	ceramic tap head 1/2"	300	195	1/2"
1	593134	ceramic tap head 1/2"	350	210	1/2"
1	593135	ceramic tap head 1/2"	400	215	1/2"
1	593136	ceramic tap head 1/2"	450	235	1/2"



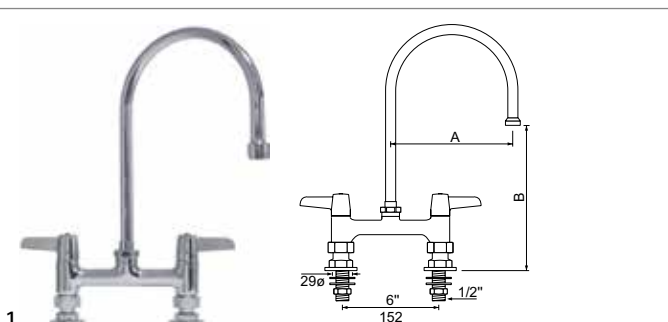
technical data:
hole distance 4" - 102mm

fig.	Part No.	upper part	A (mm)	B (mm)	connection
1	593137	ceramic tap head 1/2"	145	260	1/2"
1	593138	ceramic tap head 1/2"	190	245	1/2"
1	593139	ceramic tap head 1/2"	220	250	1/2"



technical data:
hole distance 6" - 152mm

fig.	Part No.	upper part	A (mm)	B (mm)	connection
1	593140	ceramic tap head 1/2"	155	150	1/2"
1	593141	ceramic tap head 1/2"	205	165	1/2"
1	593142	ceramic tap head 1/2"	260	180	1/2"
1	593143	ceramic tap head 1/2"	300	195	1/2"
1	593144	ceramic tap head 1/2"	350	210	1/2"
1	593145	ceramic tap head 1/2"	400	215	1/2"
1	593146	ceramic tap head 1/2"	450	235	1/2"



technical data:
hole distance 6" - 152mm

fig.	Part No.	upper part	A (mm)	B (mm)	connection
1	593147	ceramic tap head 1/2"	145	260	1/2"
1	593148	ceramic tap head 1/2"	190	230	1/2"
1	593149	ceramic tap head 1/2"	220	250	1/2"



technical data:
hole distance 7" - 180mm

fig.	Part No.	upper part	A (mm)	B (mm)	handle type	connection
1	545962	ceramic tap head 1/2"	165	145	hexagonal	1/2"
2	545961	ceramic tap head 1/2"	165	145	lever	1/2"
3	545963	ceramic tap head 1/2"	165	145	star	1/2"

technical data:
hole distance 7" - 180mm

fig.	Part No.	upper part	A (mm)	B (mm)	connection
1	593150	ceramic tap head 1/2"	155	150	1/2"
1	593151	ceramic tap head 1/2"	205	165	1/2"
1	593152	ceramic tap head 1/2"	260	165	1/2"
1	593153	ceramic tap head 1/2"	300	195	1/2"
1	593154	ceramic tap head 1/2"	350	210	1/2"
1	593155	ceramic tap head 1/2"	400	215	1/2"
1	593156	ceramic tap head 1/2"	450	235	1/2"

technical data:
hole distance 8" - 203mm

fig.	Part No.	upper part	A (mm)	B (mm)	connection
1	593160	ceramic tap head 1/2"	155	150	1/2"
1	593161	ceramic tap head 1/2"	205	165	1/2"
1	593162	ceramic tap head 1/2"	260	180	1/2"
1	593163	ceramic tap head 1/2"	300	195	1/2"
1	593164	ceramic tap head 1/2"	350	210	1/2"
1	593165	ceramic tap head 1/2"	400	215	1/2"
1	593166	ceramic tap head 1/2"	450	235	1/2"

technical data:
hole distance 7" - 180mm

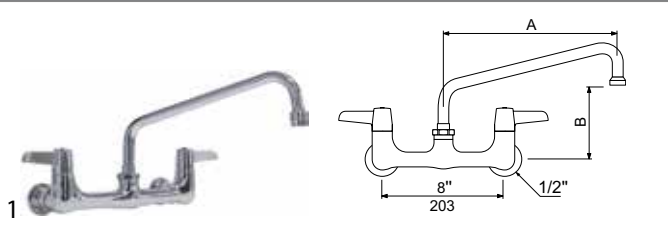
fig.	Part No.	upper part	A (mm)	B (mm)	connection
1	593157	ceramic tap head 1/2"	145	260	1/2"
1	593158	ceramic tap head 1/2"	190	245	1/2"
1	593159	ceramic tap head 1/2"	220	250	1/2"

technical data:
hole distance 8" - 203mm

fig.	Part No.	upper part	A (mm)	B (mm)	connection
1	593167	ceramic tap head 1/2"	145	260	1/2"
1	593168	ceramic tap head 1/2"	190	230	1/2"
1	593169	ceramic tap head 1/2"	220	250	1/2"

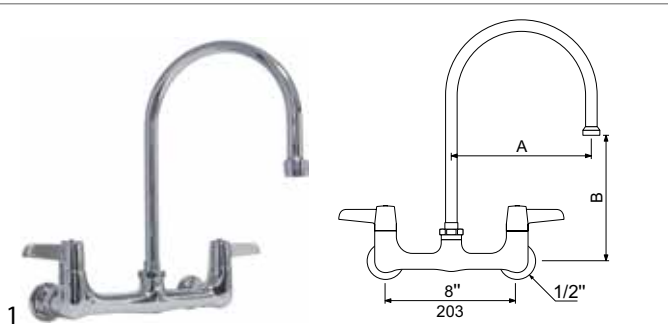


wall-mounted water taps



technical data:
hole distance 8" - 203mm

fig.	Part No.	upper part	A (mm)	B (mm)	connection
1	593170	ceramic tap head 1/2"	155	80	1/2"
1	593171	ceramic tap head 1/2"	205	95	1/2"
1	593172	ceramic tap head 1/2"	260	115	1/2"
1	593173	ceramic tap head 1/2"	300	130	1/2"
1	593174	ceramic tap head 1/2"	350	140	1/2"
1	593175	ceramic tap head 1/2"	400	155	1/2"
1	593176	ceramic tap head 1/2"	450	170	1/2"



technical data:
hole distance 8" - 203mm

fig.	Part No.	upper part	A (mm)	B (mm)	connection
1	593177	ceramic tap head 1/2"	145	185	1/2"
1	593178	ceramic tap head 1/2"	190	175	1/2"
1	593179	ceramic tap head 1/2"	220	180	1/2"

spare parts and accessories



fig.	Part No.	description	TS	RA (°)	application
1	593014	ceramic tap head	1/2"	90	cold water
2	593015	ceramic tap head	1/2"	90	hot water
3	593016	lever handle	-	-	cold/hot water



fig.	Part No.	description	projection (mm)	spout height (mm)	tube ø (mm)
1	547741	R-spout	145	160	16
1	547742	R-spout	190	145	16
1	547743	R-spout	220	140	16
2	547744	HU-spout	155	50	16
2	547745	HU-spout	205	65	16
2	547746	HU-spout	260	85	16
2	547747	HU-spout	300	100	16
2	547748	HU-spout	350	110	16
2	547749	HU-spout	400	125	16
2	547600	HU-spout	450	140	16



PREMIUM AMERICAN Style

pillar taps

pos.	Part No.	upper part	A (mm)	B (mm)	connection
1	549800	tap head	155	150	1/2"
2	549801	tap head	205	165	1/2"
3	549802	tap head	260	180	1/2"
4	549803	tap head	300	195	1/2"
5	549804	tap head	350	210	1/2"
6	549805	tap head	400	215	1/2"
7	549806	tap head	450	235	1/2"

pos.	Part No.	upper part	A (mm)	B (mm)	connection
1	549808	tap head	145	260	1/2"
2	549809	tap head	190	245	1/2"
3	549810	tap head	220	250	1/2"

wall taps

pos.	Part No.	upper part	A (mm)	B (mm)	connection
1	549811	tap head	155	90	1/2"
2	549812	tap head	205	105	1/2"
3	549813	tap head	260	125	1/2"
4	549814	tap head	300	140	1/2"
5	549815	tap head	350	150	1/2"
6	549816	tap head	400	165	1/2"
7	549817	tap head	450	180	1/2"

pos.	Part No.	upper part	A (mm)	B (mm)	connection
1	549819	tap head	145	260	1/2"
2	549820	tap head	190	245	1/2"
3	549821	tap head	220	250	1/2"

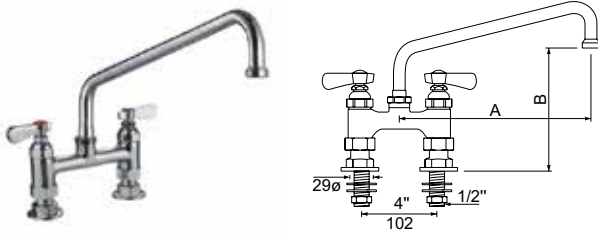
pos.	Part No.	upper part	A (mm)	B (mm)	connection
1	549822	tap head	155	150	1/2"
2	549823	tap head	205	165	1/2"
3	549824	tap head	260	180	1/2"
4	549825	tap head	300	195	1/2"
5	549826	tap head	350	210	1/2"
6	549827	tap head	400	215	1/2"
7	549828	tap head	450	235	1/2"

pos.	Part No.	upper part	A (mm)	B (mm)	connection
1	549830	tap head	145	260	1/2"
2	549831	tap head	190	245	1/2"
3	549832	tap head	220	250	1/2"

1 water taps



bridge mixer taps



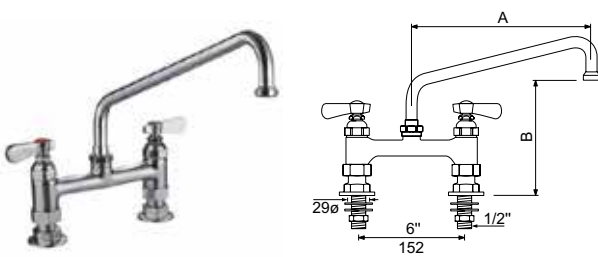
technical data:
hole distance 4" - 102mm

pos.	Part No.	upper part	A (mm)	B (mm)	connection
1	549833	tap head	155	150	1/2"
2	549834	tap head	205	165	1/2"
3	549835	tap head	260	180	1/2"
4	549836	tap head	300	195	1/2"
5	549837	tap head	350	210	1/2"
6	549838	tap head	400	215	1/2"
7	549839	tap head	450	235	1/2"



technical data:
hole distance 4" - 102mm

pos.	Part No.	upper part	A (mm)	B (mm)	connection
1	549854	tap head	145	260	1/2"
2	549855	tap head	190	245	1/2"
3	549856	tap head	220	250	1/2"



technical data:
hole distance 6" - 152mm

pos.	Part No.	upper part	A (mm)	B (mm)	connection
1	549840	tap head	155	150	1/2"
2	549841	tap head	205	165	1/2"
3	549842	tap head	260	180	1/2"
4	549843	tap head	300	195	1/2"
5	549844	tap head	350	210	1/2"
6	549845	tap head	400	215	1/2"
7	549846	tap head	450	235	1/2"



technical data:
hole distance 6" - 152mm

pos.	Part No.	upper part	A (mm)	B (mm)	connection
1	549857	tap head	145	260	1/2"
2	549858	tap head	190	230	1/2"
3	549859	tap head	220	250	1/2"



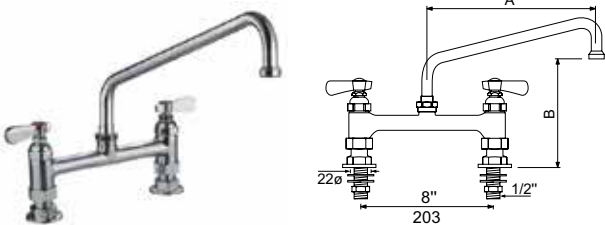
technical data:
hole distance 7" - 180mm

pos.	Part No.	upper part	A (mm)	B (mm)	connection
1	549993	tap head	155	150	1/2"
2	549994	tap head	205	165	1/2"
3	549995	tap head	260	165	1/2"
4	549996	tap head	300	195	1/2"
5	549997	tap head	350	210	1/2"
6	549998	tap head	400	215	1/2"
7	549999	tap head	450	235	1/2"



technical data:
hole distance 7" - 180mm

pos.	Part No.	upper part	A (mm)	B (mm)	connection
1	545920	tap head	145	260	1/2"
2	545921	tap head	190	245	1/2"
3	545922	tap head	220	250	1/2"



technical data:
hole distance 8" - 203mm

pos.	Part No.	upper part	A (mm)	B (mm)	connection
1	549847	tap head	155	150	1/2"
2	549848	tap head	205	165	1/2"
3	549849	tap head	260	180	1/2"
4	549850	tap head	300	195	1/2"
5	549851	tap head	350	210	1/2"
6	549852	tap head	400	215	1/2"
7	549853	tap head	450	235	1/2"



technical data:
hole distance 7" - 180mm

pos.	Part No.	upper part	A (mm)	B (mm)	connection
1	545923	tap head	145	185	1/2"
2	545924	tap head	190	175	1/2"
3	545925	tap head	220	180	1/2"



technical data:
hole distance 8" - 203mm

pos.	Part No.	upper part	A (mm)	B (mm)	connection
1	549860	tap head	145	260	1/2"
2	549861	tap head	190	230	1/2"
3	549862	tap head	220	250	1/2"



technical data:
hole distance 8" - 203mm

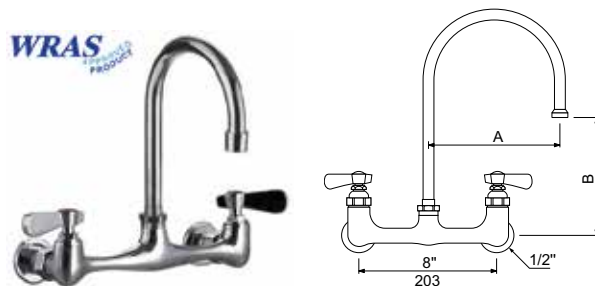
pos.	Part No.	upper part	A (mm)	B (mm)	connection
1	549863	tap head	155	80	1/2"
2	549864	tap head	205	95	1/2"
3	549865	tap head	260	115	1/2"
4	549866	tap head	300	130	1/2"
5	549867	tap head	350	140	1/2"
6	549868	tap head	400	155	1/2"
7	549869	tap head	450	170	1/2"

wall-mounted water taps



technical data:
hole distance 7" - 180mm

pos.	Part No.	upper part	A (mm)	B (mm)	connection
1	545050	tap head	155	80	1/2"
2	545051	tap head	205	95	1/2"
3	545052	tap head	260	115	1/2"
4	545053	tap head	300	120	1/2"
5	545054	tap head	350	140	1/2"
6	545055	tap head	400	155	1/2"
7	545056	tap head	450	170	1/2"



technical data:
hole distance 8" - 203mm

pos.	Part No.	upper part	A (mm)	B (mm)	connection
1	549870	tap head	145	185	1/2"
2	549871	tap head	190	175	1/2"
3	549872	tap head	220	180	1/2"



spare parts and accessories



fig.	Part No.	description	application
1	547750	tap head	cold water
1	547751	tap head	hot water
2	547752	lever handle	cold/hot water
3	548620	screw cap	for tap head



fig.	Part No.	description	tube ø (mm)	projection (mm)	spout height (mm)
1	547600	HU-spout	16	450	140
1	547744	HU-spout	16	155	50
1	547745	HU-spout	16	205	65
1	547746	HU-spout	16	260	85
1	547747	HU-spout	16	300	100
1	547748	HU-spout	16	350	110
1	547749	HU-spout	16	400	125
2	547741	R-spout	16	145	160
2	547742	R-spout	16	190	145
2	547743	R-spout	16	220	140



fig.	Part No.	description
1	515069	eccentrics T1: 1" IT T2: 1/2" ET L 50mm Qty 2 pcs
1	515068	eccentrics T1: 1" IT T2: 1/2" ET L 65mm Qty 2 pcs



sink taps

fig.	Part No.	description	application	version
1	541823	pillar tap	for 1 sink	high pressure

fig.	Part No.	description	application	version
2	540270	monobloc tap	for 1 sink	high pressure
2	540271	monobloc tap	for 1 sink	low pressure

fig.	Part No.	description	application	version
1	540272	monobloc tap	for 2 sinks	high pressure
1	540273	monobloc tap	for 2 sinks	low pressure

spare parts and accessories

fig.	Part No.	description	TS	RA (°)	application
1	548445	tap head	3/8"	-	cold water
2	548538	triangular handle	-	-	cold/hot water

fig.	Part No.	description	projection (mm)	spout height (mm)	tube ø (mm)
1	540027	U spout	200	5	18

fig.	Part No.	description	connections	L (mm)
1	520453	flex hose	3/8" - M10x1	500

fig.	Part No.	description	connections	L (mm)
2	520466	flex hose	3/8" - M10x1	500

fig.	Part No.	description
1	540274	rinse pipe complete, with union nut thread 3/8" L 270mm



electronic taps

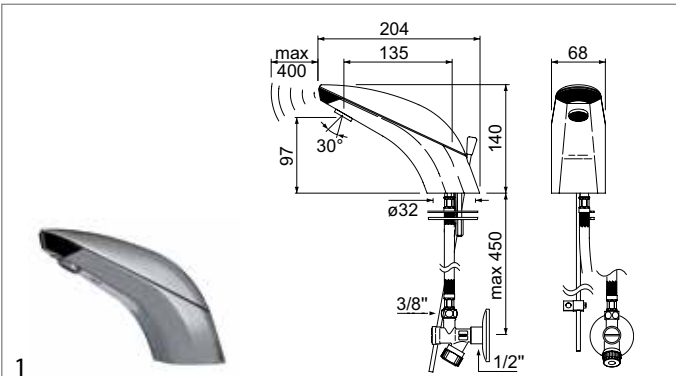


fig.	Part No.	description
1	541653 ¹	sensor tap battery powered without lever mixer single supply for cold or hot water 3x1.5V
1	541638 ¹	sensor tap supply 230VAC 50Hz without lever mixer single supply for cold or hot water

¹incl. angle valve

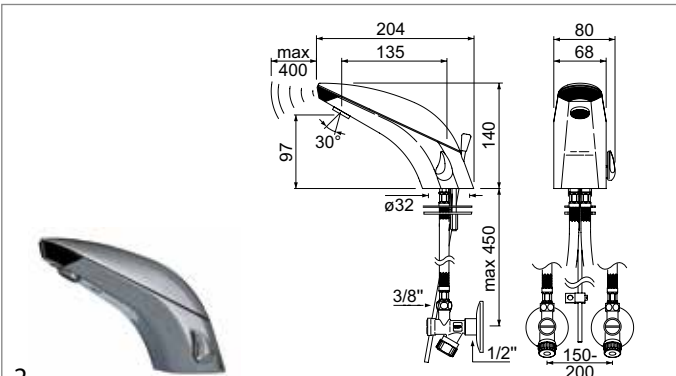


fig.	Part No.	description
2	541652 ¹	sensor tap battery powered with lever mixer 3x1.5V with stagnation flush with angle valve
2	541640 ¹	sensor tap supply 230VAC non-contact with mixer aperture 32mm with stagnation flush

¹incl. angle valve

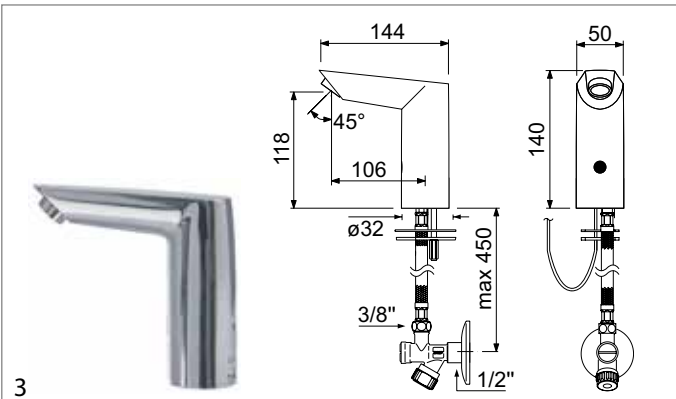


fig.	Part No.	description
3	545567 ¹	sensor tap battery powered cold water with stagnation flush 3x1.5V
3	545569 ¹	sensor tap supply 230VAC without lever mixer cold water with stagnation flush

¹incl. angle valve

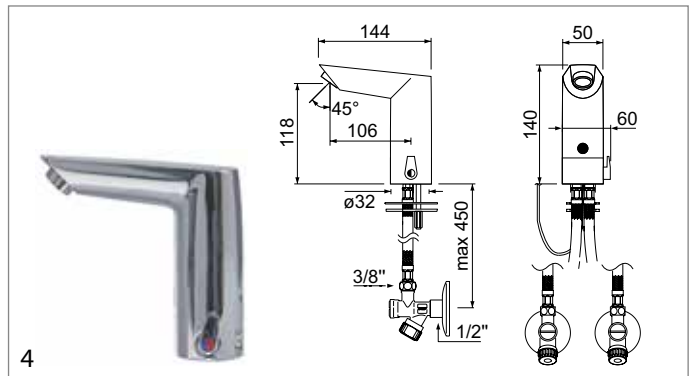


fig.	Part No.	description
4	545566 ¹	sensor tap battery powered with lever mixer cold/hot water with stagnation flush 3x1.5V
4	545568 ¹	sensor tap supply 230VAC with lever mixer cold/hot water with stagnation flush

¹incl. angle valve

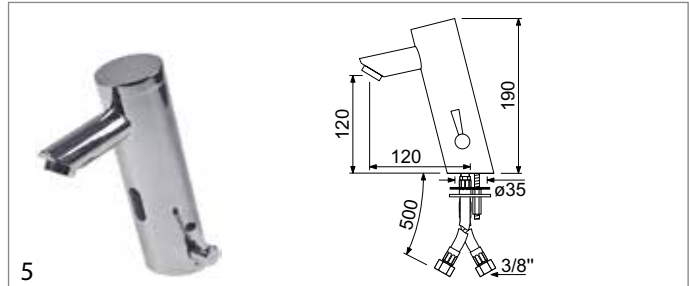


fig.	Part No.	description
5	542175	sensor tap battery powered with lever mixer spout projection 140mm 4x1.5V
5	542181	sensor tap for mains or battery operation 6VDC/230VAC with lever mixer projection 140mm

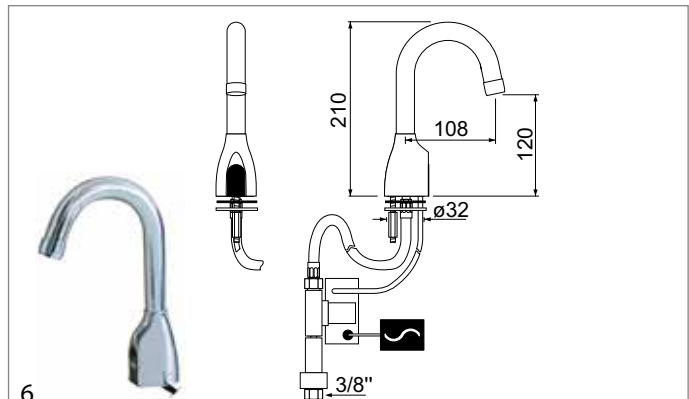


fig.	Part No.	description
6	540717	sensor tap supply 230VAC Billo

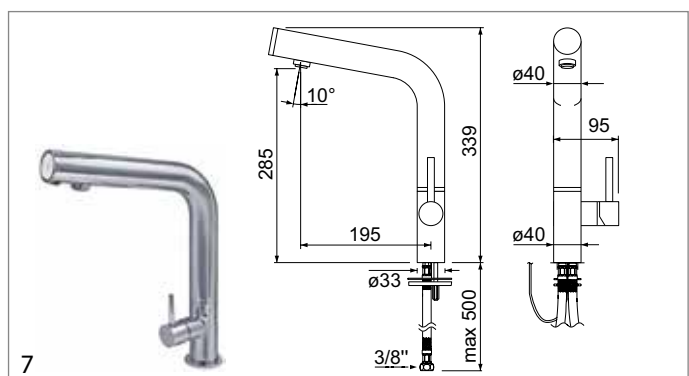


fig.	Part No.	description
7	545650	sensor tap ceramic cartridge ø 35mm with 2 sensors projection 195mm connection 3/8" 2x1.5V Hello 200



fig. Part No. description

8 542711 sensor tap ceramic cartridge \varnothing 40mm with 2 sensors projection 195mm spout height 285mm

fig. Part No. description

9 542710 sensor tap ceramic cartridge \varnothing 40mm with swivel spout projection 240mm connection 1/2"

self-closing taps

fig. Part No. description

1 542939 self-closing tap ca.15s thread 1/2" pillar tap

fig. Part No. description

2 542940 self-closing tap ca.15s thread M10x1 IT H 115mm L 120mm handle \varnothing 33mm mixer tap

fig. Part No. description

3 541803 self-closing tap 20s thread 1/2" L 95mm

fig. Part No. description

4 548199 self-closing tap ca.15s thread 1/2" H 68mm slip-in cartridge

fig. Part No. description

5 542938 self-closing tap ca.15s thread 1/2" H 71mm slip-in cartridge

fig. Part No. description

6 542154 self-closing tap ca.15s thread 1/2" mounting \varnothing 36mm

fig. Part No. description

7 542936 self-closing tap with knee switch ca.15s thread 1/2" L 432mm



fig. Part No. description

8 541476 valve ca.15s with knee switch thread 1/2"

fig. Part No. description

1 541801 mixing valve thread 1/2" ET - 1/2" ET - 1/2" IT W 68mm D 34mm H 66mm outlet distance 36mm

fig. Part No. description

2 541475¹ mixing valve thread 1/2" ET - 1/2" IT - 1/2" ET W 61mm D 26mm H 69mm

¹with backflow preventer

fig. Part No. description

3 540269¹ mixing valve thread 1/2" ET thermostatic inlet 1/2" ET outlet 1/2" Qmax. 11l/min

¹with backflow preventer

fig. Part No. description

Part No.	description	A (mm)	B1 (mm)	B2 (mm)	connection
547900	inlet spout	155	115	150	1/2" ET
547901	inlet spout	200	170	240	1/2" ET
547902	inlet spout	250	220	290	1/2" ET

fig. Part No. description

Part No.	description	A (mm)	B1 (mm)	B2 (mm)	connection
547903	inlet spout	200	150	215	1/2" ET
547904	inlet spout	250	175	240	1/2" ET
547905	inlet spout	300	205	270	1/2" ET


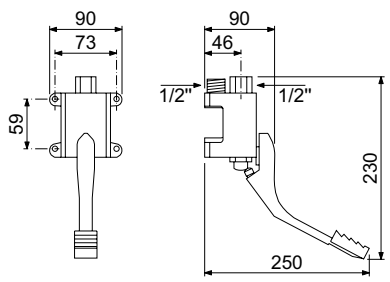
fig. Part No. description

Part No.	description	A (mm)	B1 (mm)	B2 (mm)	connection
547906	inlet spout	200	175	240	1/2" ET
547907	inlet spout	250	195	260	1/2" ET
547908	inlet spout	300	225	290	1/2" ET

pedal-operated water taps


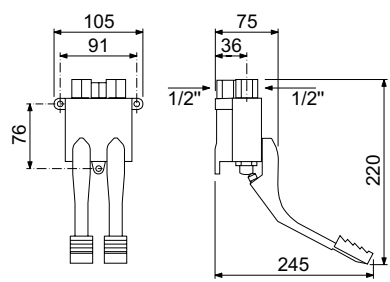
fig. Part No. version fixing connection

1 542550 cold water wall mounting 1/2"


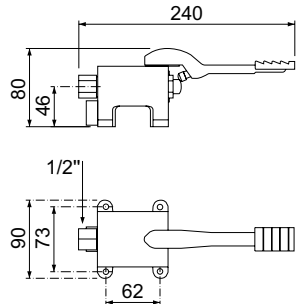
2

fig.	Part No.	version	fixing	connection
2	542551	cold/hot water	wall mounting	1/2"


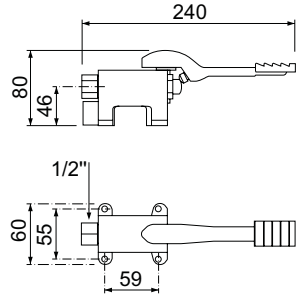
3

fig.	Part No.	version	fixing	connection
3	542552	cold/hot water	wall mounting	1/2"


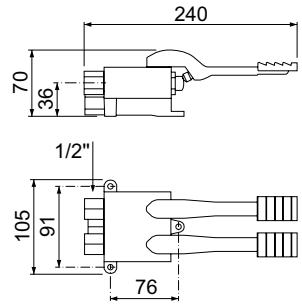
1

fig.	Part No.	version	fixing	connection
1	542914	cold water	floor mounted	1/2"


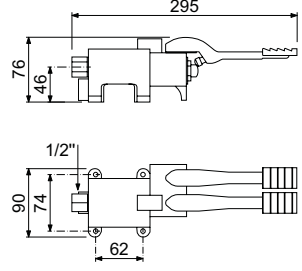
2

fig.	Part No.	version	fixing	connection
2	542916	hot water	floor mounted	1/2"


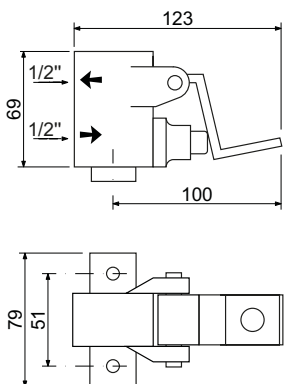
3

fig.	Part No.	version	fixing	connection
3	542915	cold/hot water	floor mounted	1/2"


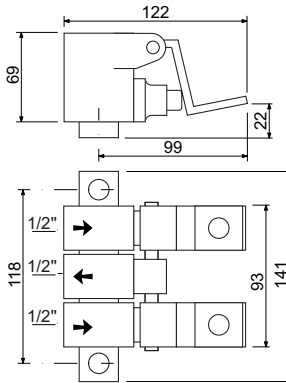
4

fig.	Part No.	version	fixing	connection
4	542917	with stop pedal	floor mounted	1/2"

1

fig.	Part No.	version	fixing	connection
1	542240	cold water	floor mounted	1/2"

2

fig.	Part No.	version	fixing	connection
2	542249	cold/hot water	floor mounted	1/2"



fig.	Part No.	description
1	542079 ¹	pressure pin thread M23 cold/hot water suitable for foot-operated water taps
2	542078	pressure pin thread M30x1.25 cold/hot water suitable for foot-operated water taps L 60mm

¹suitable only for 542917



spare parts of other producers

suitable for CHAVONNET



fig.	Part No.	description	TS	RA (°)	application
1	547555	ceramic tap head	1/2"	90	cold water
1	547692	ceramic tap head	3/4"	90	cold water
2	547556	ceramic tap head	1/2"	90	hot water
2	547693	ceramic tap head	3/4"	90	hot water



fig.	Part No.	description	tube ø (mm)	projection (mm)	spout height (mm)
1	547691	S spout	18	300	110
2	548399	HU-spout	22	300	130

suitable for DELABIE



fig.	Part No.	description	TS	RA (°)	application
1	540411	tap head	1/2"	-	cold/hot water
2	540412	triangular handle	-	-	cold/hot water
3	540328	marking cap	-	-	cold water
4	540420	marking cap	-	-	hot water



fig.	Part No.	description	tube ø (mm)	projection (mm)	spout height (mm)
1	540418	HU-spout	18	250	165
2	547684	S spout	18	200-290	10

suitable for ECHTERMANN



fig.	Part No.	description	TS	RA (°)	application	Ref. No.
1	547414	tap head	1/2"	-	cold/hot water	2145.20/8.6.1 Alternativ
1	514076	tap head	3/4"	-	cold/hot water	2145.30/8.6.1 Alternativ
2	547455	ceramic tap head	1/2"	180	cold/hot water	2145.20/8.6.3 Alternativ
2	547448	ceramic tap head	3/4"	90	cold/hot water	2145.30/8.6.3 Alternativ



fig.	Part No.	description	TS	RA (°)	application	Ref. No.
3	548421	tap head	1/2"	-	cold/hot water	2145.20/0.0.1 Alternativ
3	548437	tap head	3/4"	-	cold/hot water	2145.30/0.0.1 Alternativ
4	548425	ceramic tap head	1/2"	180	cold water	2145.20/0.0.3 Alternativ
4	548436	ceramic tap head	3/4"	180	cold water	2145.30/0.0.3 Alternativ
5	547427	hood handle	-	-	for tap heads 1/2"	2144.20-20 Alternativ
5	547430	hood handle	-	-	for tap heads 3/4"	2144.30-20 Alternativ



fig.	Part No.	description	tube ø (mm)	projection (mm)	spout height (mm)	Ref. No.
1	540033	HU-spout	18	155	125	6323.30/150 Alternativ
1	540034	HU-spout	18	185	190	6380 Alternativ
1	540035	HU-spout	18	245	220	6385 Alternativ
2	547471	HU-spout	18	250	30	6328.30/250 Alternativ
2	547472	HU-spout	18	300	30	6328.30/300 Alternativ



fig.	Part No.	description	tube ø (mm)	projection (mm)	spout height (mm)	Ref. No.
3	540027	U spout	18	200	5	6386 Alternativ
3	540028	U spout	18	250	5	—
3	540029	U spout	18	300	5	—
4	547473	HU-spout	25	300	115	6362.40/300 Alternativ

Table continues overleaf



fig.	Part No.	description	tube ø (mm)	projection (mm)	spout height (mm)	Ref. No.
4	547474	HU-spout	25	450	115	6362.40/450 Alternativ
5	547467	HU-spout	18	200	15	6325.90/200.095 Alternativ
5	547468	HU-spout	18	250	15	6325.90/250.095 Alternativ
5	547469	HU-spout	18	300	15	6325.90/300.095 Alternativ
5	547470	HU-spout	18	300	170	6325.90/300.250 Alternativ



fig.	Part No.	description	tube ø (mm)	projection (mm)	spout height (mm)	Ref. No.
6	540592	HU-spout	25	250	65	6327.90/250 Alternativ
6	540416	HU-spout	25	300	65	6327.90/300 Alternativ
6	540417	HU-spout	25	350	65	6327.90/350 Alternativ
6	540595	HU-spout	25	400	65	6327.90/400 Alternativ
6	540596	HU-spout	25	450	65	6327.90/450 Alternativ
6	540597	HU-spout	25	500	65	6327.90/500 Alternativ
7	540598	HU-spout	25	250	150	6338.90/250.190 Alternativ
7	540599	HU-spout	25	250	210	6338.90/250.250 Alternativ
7	540607	HU-spout	25	250	310	6338.90/250.350 Alternativ
7	540608	HU-spout	25	300	150	6338.90/300.190 Alternativ
7	540609	HU-spout	25	300	210	6338.90/300.250 Alternativ
7	540610	HU-spout	25	300	310	6338.90/300.350 Alternativ
7	540611	HU-spout	25	350	150	6338.90/350.190 Alternativ
7	540612	HU-spout	25	350	210	6338.90/350.250 Alternativ
7	540613	HU-spout	25	350	310	6338.90/350.350 Alternativ
7	540614	HU-spout	25	400	150	6338.90/400.190 Alternativ
7	540615	HU-spout	25	400	210	6338.90/400.250 Alternativ
7	540616	HU-spout	25	400	310	6338.90/400.350 Alternativ



fig.	Part No.	description	tube ø (mm)	projection (mm)	spout height (mm)	Ref. No.
8	540617 ¹	HU-spout	25	250	150	6338.91/250.190 Alternativ
8	540618 ¹	HU-spout	25	300	150	6338.91/300.190 Alternativ
8	540619 ¹	HU-spout	25	400	150	6338.91/400.190 Alternativ
8	540622 ¹	HU-spout	25	500	150	6338.91/500.190 Alternativ

¹with backflow preventer

fig.	Part No.	description	tube ø (mm)	projection (mm)	spout height (mm)	Ref. No.
9	540623	S spout	25	200	120	6360.40/200 Alternativ
9	540624	S spout	25	250	120	6360.40/250 Alternativ
10	547475	S spout	25	300	88	6363.40/300 Alternativ
10	547476	S spout	25	450	88	6363.40/450 Alternativ



11	540031	S spout	18	250	115	6360.30/250 Alternativ
11	540086	S spout	18	300	115	6360.30/300 Alternativ
12	540032	S spout	18	280-480	120	6360.30/280-480 Alternativ
12	540084	S spout	18	200-300	120	6360.30/200-300 Alternativ
12	540085	S spout	18	350-600	120	6360.30/350-600 Alternativ



fig.	Part No.	description	TS	Ref. No.
1	547492	tap aerator	M22x1	2374.00 Alternativ
2	540805	tap aerator	M24x1	2377.00 Alternativ
3	548381	tap aerator	M24x1	6742.30-2 Alternativ
4	547495	tap aerator	M28x1	6742.36-2 Alternativ
5	548382	tap aerator	M28x1	2376.00 Alternativ



fig.	Part No.	description	connection	L (mm)	Ref. No.
1	547498	flex hose	3/8" ET / 3/4" IT	700	2456.30/700 Alternativ
1	547499	flex hose	3/8" ET / 3/4" IT	1000	2456.30/1000 Alternativ



fig.	Part No.	description	Ref. No.
1	515090	eccentrics connection 1/2" - 3/4" with rosette	6637-6-18/19 Alternativ
2	540326	mounting stub connection 3/4" L 115mm	6546.30/115 Alternativ
2	540327	mounting stub connection 3/4" L 200mm	6546.30/200 Alternativ
3	540039	pipe aerator inlet 3/4" outlet 3/4" approval DVGW	6631.03-8 Alternativ




fig.	Part No.	description	Ref. No.
1	545201	single lever monobloc tap connection 3/8"	6644.00-6 Alternativ
2	545203	single lever wall-mounted water tap lever handle	6647-00-6 Alternativ

suitable for KLARCO



fig.	Part No.	description	TS	application	Ref. No.
1	541384	tap head	1/2"	cold/hot water	0030010 0P.V030.00.00
2	548416	tap head	1/2"	cold/hot water	0P.V0L0.00.00



fig.	Part No.	description	TS	application	Ref. No.
3	547965	triangular handle	-	cold/hot water	0P.H033.00.00/B 0P.H033.00.00/R
4	541535	handle	-	cold water	H36/B
5	541536	handle	-	hot water	H36/R



fig.	Part No.	description	TS	application	Ref. No.
1	541381	tap head	3/4"	cold/hot water	0030014 0P.V010.00.00
2	541380	tap head	3/4"	cold/hot water	0030013/1 0P.V020.00.00
3	541378	triangular handle	-	cold water	0055224/B 0P.H013.00.00/B
4	541379	triangular handle	-	hot water	0055224/R 0P.H013.00.00/R




fig.	Part No.	description	TS	RA (°)	application	Ref. No.
1	548414	ceramic tap head	1/2"	90	cold water	0030021/D 0P.V040.00.00/D
1	548434	ceramic tap head	3/4"	90	cold water	0P.V050.00.00/S
2	548415	ceramic tap head	1/2"	90	hot water	0P.V040.00.00/S
2	548433	ceramic tap head	3/4"	90	hot water	0P.V050.00.00/D



fig.	Part No.	description	TS	RA (°)	application	Ref. No.
3	547965	triangular handle	-	-	cold/hot water	0P.H033.00.00/B 0P.H033.00.00/R
4	541535	handle	-	-	cold water	H36/B
5	541536	handle	-	-	hot water	H36/R




fig.	Part No.	description	D1 ø (mm)	H1 (mm)	Ref. No.
1	540452	ceramic cartridge	40	30	0030111 0P.V080.00.00
2	540450	ceramic cartridge	40	43	0P.V090.00.00
3	541403	ceramic cartridge	47	30.5	0030110 0P.V070.00.00




fig.	Part No.	description	handle length (mm)	intake	ø (mm)	Ref. No.
1	541400	lever handle	260	10x10,6mm	55	0055225 0P.H006.00.00





fig.	Part No.	description	tube ø (mm)	projection (mm)	spout height (mm)	Ref. No.
1	541388	HU-spout	20	320	200	0031301 0PC067.00.00
2	541390	HU-spout	25	250	130	0034350 0PC019.00.00




fig.	Part No.	description	tube ø (mm)	projection (mm)	spout height (mm)	Ref. No.
3	541405	HU-spout	-	270	220	0031350 0PC048.00.00
4	542868	S spout	20	250	50	0PC051.00.00 CS1




fig.	Part No.	description	TS	Ref. No.
1	541392	tap aerator	3/4"	0030209 0PP014.00.00
2	547492	tap aerator	M22x1	0PP015.00.00 P015
3	541404	tap aerator	M24x1	0030205 0PP065.00.00



fig.	Part No.	description	connection	Ref. No.
1	540456	spray gun	1/2" ET	0PC080.00.00




fig.	Part No.	connections	L (mm)	Ref. No.
1	541893	1/2" - M15x1	1250	0PF027.00.00

suitable for KWC




fig.	Part No.	description	TS	RA (°)	application	Ref. No.
1	542894	ceramic tap head	1/2"	90	cold/hot water	Z.501.297
2	540305	tap head	M20x1.25	-	cold/hot water	K.32.40.01.931




fig.	Part No.	description	TS	RA (°)	application	Ref. No.
3	540671	tap head	M25x1.25	-	cold/hot water	K.32.40.12.000
4	535007	tap head	M25x1.25	180	cold/hot water	Z.530.340.000




fig.	Part No.	description	Ref. No.
1	540308	star handle H2 27mm D1 ø 26mm type N	Z.503.008.000
2	542100	screw caps red/blue for handle	Z.200.162.000




fig.	Part No.	description	Ref. No.
1	535017	ceramic cartridge D1 ø 38,5mm D2 ø 35mm H1 41,6mm	K.32.60.00
2	535015	ceramic cartridge D1 ø 46mm D2 ø 35mm H1 46,5mm	K.32.60.01
3	542976	union nut for ceramic cartridge	Z.535.675




fig.	Part No.	description	Ref. No.
1	542975	handle for cartridge	Z.634.829.000
2	542970	plastic insert	Z.632.240





fig.	Part No.	description	projection (mm)	spout height (mm)	Ref. No.
1	542991	S spout	220	-	K.33.62.44.000
2	542985	HU-spout	250	135	K.33.42.K1.000
2	542987	HU-spout	250	215	K.33.42.K5.000
2	542986	HU-spout	250	310	K.33.42.K3.000
2	542983	HU-spout	300	125	K.33.41.24.000
2	542984	HU-spout	450	125	K.33.41.26.000




fig.	Part No.	description	projection (mm)	spout height (mm)	Ref. No.
3	542992	HU-spout	300	100	K.33.42.A1.000
3	542993	HU-spout	450	120	K.33.42.A3.000
4	535503	S spout	300	100	K.33.42.54.000



fig.	Part No.	description	TS	version	Ref. No.
1	542980	tap aerator	3/4"	with plastic insert	Z.534.706.000
2	547492	tap aerator	M22x1	with plastic insert	K.31.99.00.000A30
3	540805	tap aerator	M24x1	with plastic insert	K.31.99.00.000A31



fig.	Part No.	description	Ref. No.
1	542908	gasket set	Z.200.176
2	540039	pipe aerator	Z.636.012.012

suitable for MONOLITH




fig.	Part No.	description	D1 ø (mm)	H1 (mm)
1	540452	ceramic cartridge	40	30
2	540450	ceramic cartridge	40	43
3	541403	ceramic cartridge	47	30.5




fig.	Part No.	description	handle length (mm)	intake	ø (mm)	for cartridge
1	540451	lever handle	58	10x10,6mm	53	ø40mm
2	547143	lever handle	180	10x10,6mm	51	ø40mm



fig.	Part No.	description	tube ø (mm)	projection (mm)	spout height (mm)
1	540034	HU-spout	18	185	190
1	540035	HU-spout	18	245	220
2	540192	HU-spout	18	250	160
2	540193	HU-spout	18	300	190




fig.	Part No.	description	tube ø (mm)	projection (mm)	spout height (mm)
3	540197	HU-spout	-	250	190
4	547566	S spout	18	200	120
4	540086	S spout	18	300	115



fig.	Part No.	description
1	540456	spray gun connection 1/2" ET

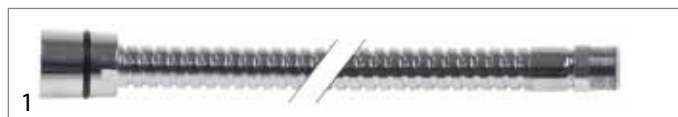


fig.	Part No.	description	connections	L (mm)
1	540455	shower hose	1/2" - M15x1	1500



suitable for RIVER



fig.	Part No.	description	TS	RA (°)	application	Ref. No.
1	548416	tap head	1/2"	-	cold/hot water	800/58
2	548414	ceramic tap head	1/2"	90	cold water	800/52/1
2	548425	ceramic tap head	1/2"	180	cold water	800/52-Blu
2	548436	ceramic tap head	3/4"	180	cold water	800/1231
3	548415	ceramic tap head	1/2"	90	hot water	800/52/2
3	548424	ceramic tap head	1/2"	180	hot water	800/52-Red
3	548435	ceramic tap head	3/4"	180	hot water	800/1232



fig.	Part No.	description	version	application	Ref. No.
1	548334	lever handle	for tap heads 1/2"	cold/hot water	800/1069
1	548348	lever handle	for tap heads 3/4"	cold/hot water	800/1071
2	547965	triangular handle	for tap heads 1/2" and 3/4"	cold/hot water	800/1068 800/1070



fig.	Part No.	description	D1 ø (mm)	H1 (mm)	Ref. No.
1	540452	ceramic cartridge	40	30	800/1080



fig.	Part No.	description	handle length (mm)	intake	ø (mm)	Ref. No.
1	540451	lever handle	58	10x10,6mm	53	800/1072
2	547143	lever handle	180	10x10,6mm	51	800/1073



fig.	Part No.	description	handle length (mm)	intake	ø (mm)	Ref. No.
3	547787	lever handle	360	10x10,6mm	54	800/1052



fig.	Part No.	description	tube ø (mm)	projection (mm)	spout height (mm)	Ref. No.
1	545070	HU-spout	20	200	100	800/1028
1	545071	HU-spout	20	250	130	800/1029
1	545072	HU-spout	20	300	180	800/1030



fig.	Part No.	description	Ref. No.
1	540456	spray gun connection 1/2" ET	800/1062B



fig.	Part No.	description	connections	L (mm)	Ref. No.
1	540455	shower hose	1/2" - M15x1	1500	800/1082

suitable for RUBINETTERIE DEL FRIULI



fig.	Part No.	description	TS	RA (°)	application
1	548416	tap head	1/2"	-	cold/hot water
2	548414	ceramic tap head	1/2"	90	cold water
3	548415	ceramic tap head	1/2"	90	hot water



fig.	Part No.	description	application
1	548164	cross handle	cold water
2	548163	cross handle	hot water
3	548165	screw cap	for handle
4	548210	lever handle	cold/hot water

fig.	Part No.	description	application
1	541533	handle	cold water
2	548161	hood handle	cold water
3	541534	handle	hot water
4	548162	hood handle	hot water

fig.	Part No.	description	TS	application
1	514384	tap head	3/4"	cold/hot water
2	547490	triangular handle	-	hot water
3	547491	triangular handle	-	cold water

fig.	Part No.	description	TS	application
1	548180	tap head	3/4"	cold/hot water
2	540414	star handle	-	hot water
3	540415	star handle	-	cold water

fig.	Part No.	description	application
1	592180	hood handle	cold water
2	592181	hood handle	hot water

fig.	Part No.	description	D1 ø (mm)	H1 (mm)
1	540452	ceramic cartridge	40	30
2	542116	ceramic cartridge	41	36
3	540203	ceramic cartridge	42.5	46

fig.	Part No.	description	D1 ø (mm)	H1 (mm)
4	548174	ceramic cartridge	42.6	47
5	548175	ceramic cartridge	35.5/38	35

fig.	Part No.	description	handle length (mm)	intake	ø (mm)	for cartridge
1	540451	lever handle	58	10x10,6mm	53	ø40mm
2	547143	lever handle	180	10x10,6mm	51	ø40mm

fig.	Part No.	description	tube ø (mm)	projection (mm)	spout height (mm)
1	540033	HU-spout	18	155	125
1	540034	HU-spout	18	185	190
2	540027	U spout	18	200	5
2	540029	U spout	18	300	5




fig.	Part No.	description	tube ø (mm)	projection (mm)	spout height (mm)
3	540191	HU-spout	18	200	130
3	540192	HU-spout	18	250	160
3	540193	HU-spout	18	300	190
4	540325	HU-spout	24	200	200
4	540318	HU-spout	24	300	260
4	540319	HU-spout	24	400	310




fig.	Part No.	description	tube ø (mm)	projection (mm)	spout height (mm)
5	540196	HU-spout	-	200	120
5	540197	HU-spout	-	250	190
6	548343	S spout	18	200	140
6	548344	S spout	18	250	140
6	548345	S spout	18	300	140




fig.	Part No.	description	tube ø (mm)	projection (mm)	spout height (mm)
7	547566	S spout	18	200	120
7	540031	S spout	18	250	115
7	540086	S spout	18	300	115
8	548196	S spout	18	200	100
8	548197	S spout	18	250	80



fig.	Part No.	description
1	540456	spray gun connection 1/2" ET




fig.	Part No.	description	connections	L (mm)
1	540455	shower hose	1/2" - M15x1	1500




fig.	Part No.	description	connections	L (mm)
1	520466	flex hose	3/8" - M10x1	500
1	520465	flex hose	1/2" - M10x1	500


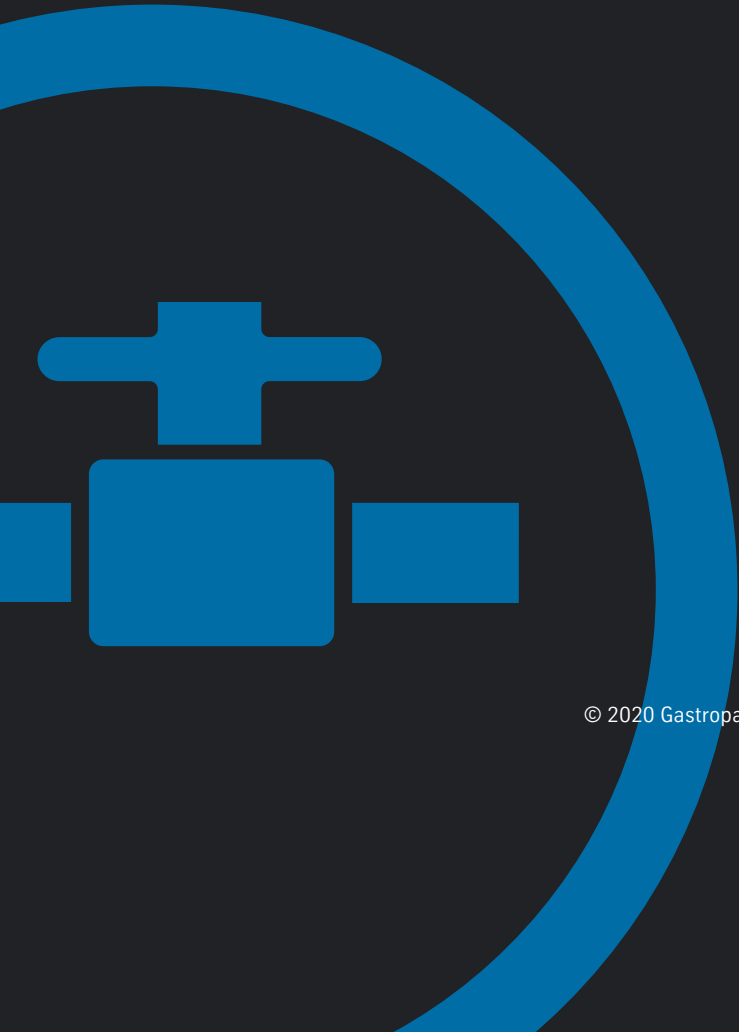


fig.	Part No.	description	connections	L (mm)
2	514337	flex hose	1/2" - 3/8"	800

GASTROPARTS.COM



© 2020 Gastroparts Sp. J. All rights reserved.