



GASTROPARTS

Universal Catalogue › Water Technology ›

Valves and tank inlets

[EN]

[DE] Ventile und Wanneneinläufe

[ES] Válvulas y caños de pared

[FR] Vannes et raccords cuve

[IT] Valvole e raccordi per vasca

[PL] Zawory, wpusty wannowe

[RU] Вентили и водоприёмники

✉ gastroparts@gastroparts.com

☎ tel. +48 56 657 00 66

📘 fb.com/gastroparts.global

GASTROPARTS.COM





valves and tank inlets

7

ball valves.	170
gate valves.	175
shut-off valves.	175
steam valves.	180
mixing valves.	181
inlet taps.	181
tank inlets.	184
float valves.	184



valves and tank inlets

ball valves

universal

mini ball valves



fig.	Part No.	connection	NS	total length (mm)
1	520721	1/8" IT - 1/8" ET	DN6	39
1	520722	1/4" IT - 1/4" ET	DN8	39
1	520723	3/8" IT - 3/8" ET	DN8	40
1	520724	1/2" IT - 1/2" ET	DN10	45
2	520720	1/8" IT - 1/8" IT	DN6	39
2	520294	1/4" IT - 1/4" IT	DN8	39
2	520295	3/8" IT - 3/8" IT	DN8	41
2	520296	1/2" IT - 1/2" IT	DN10	47
2	520297	3/4" IT - 3/4" IT	DN12	54



fig.	Part No.	connection	NS	total length (mm)
1	520352	1/2" IT - 1/2" ET	DN10	45
1	520353	3/4" IT - 3/4" ET	DN14	52
2	520350	1/2" IT - 1/2" IT	DN10	49
2	520351	3/4" IT - 3/4" IT	DN14	58
3	520354 ¹	1/2" IT - tube ø15mm	DN10	45
3	520355 ¹	3/4" IT - tube ø16mm	DN14	63.5

¹pipe connection ø16mm

accessories



fig.	Part No.	description
1	520356	lever extension for ball valve

ball valves with butterfly handle



fig.	Part No.	connection	NS	total length (mm)
1	101895	1/4" IT - 1/4" IT	DN10	45
2	540931	3/8" IT - 3/8" IT	DN10	42
2	542182	1/2" IT - 1/2" IT	DN15	50
2	540646	3/4" IT - 3/4" IT	DN20	56
2	540658	3/4" IT - 3/4" IT	DN20	69
2	540937	3/4" IT - 1" IT	DN20	80
2	540775	1" IT - 1" IT	DN25	68
3	520726	1/2" IT - 1/2" ET	DN15	56
3	540982	3/4" IT - 3/4" ET	DN20	69
3	540983	1" IT - 1" ET	DN25	79

ball valves with lever handle



fig.	Part No.	connection	NS	total length (mm)
1	540991	3/8" IT - 3/8" ET	DN10	62
1	520283	1/2" IT - 1/2" ET	DN15	59
1	520284	3/4" IT - 3/4" ET	DN20	65
1	520285	1" IT - 1" ET	DN25	74
1	540758	1" IT - 1" ET	DN25	90
1	504162	1 1/4" IT - 1 1/4" ET	DN32	96
2	693046	3/8" IT - 3/8" IT	DN10	41



fig.	Part No.	connection	NS	total length (mm)
3	514360	1/2" IT - 1/2" IT	DN15	49
3	541921	1/2" IT - 1/2" IT	DN15	61
4	520280	1/2" IT - 1/2" IT	DN15	50
4	520281	3/4" IT - 3/4" IT	DN20	56
4	540730	3/4" IT - 3/4" IT	DN20	70
4	520282	1" IT - 1" IT	DN25	67
4	514325	1" IT - 1" IT	DN25	83



producer-specific

ANGELO PO



fig.	Part No.	description	Ref. No.
1	514080	ball valve handle length 70mm L 83mm inlet 3/4" IT lever handle outlet ø30mm	33D1530
2	540687	ball valve inlet 1" ET outlet 1" IT L 92mm without handle shaft ø 13x10mm	33D0890

BARON



fig.	Part No.	description	Ref. No.
1	514400	ball valve connection 1/2" IT - 1/2" IT total length 57mm handle length 68mm	MA1031400313
2	514266	ball valve inlet 3/8" ET outlet 3/8" ET DN10 L 68mm without handle shaft ø 10x8mm	BN41826900960

BERTO'S




fig.	Part No.	description	Ref. No.
1	540658	ball valve connection 3/4" IT - 3/4" IT DN20 total length 69mm	32686300

ELFRAMO




fig.	Part No.	description	Ref. No.
1	514429	ball valve connection 1" IT - 1" ET total length 71mm	13110004
2	540751	ball valve connection 1" IT - tube ø25mm total length 59mm	13110001 (old version)
3	540752	extension for drain tap L 165mm	00030450
3	694062	extension for drain tap L 400mm	00030470

FALCON




fig.	Part No.	description	Ref. No.
1	514432	ball valve IT 1" set L 82mm butterfly/lever handle	535770011

GICO



fig.	Part No.	description	Ref. No.
1	540733	ball valve inlet 1/2" ET outlet 1/2" ET L 74mm without handle shaft ø 10x7mm for pipe ø 14mm	433206

GIGA



fig.	Part No.	description	Ref. No.
1	514212	ball valve total length 93mm handle length 95mm L 93mm inlet 3/4" ET lever handle grommet ø 22mm	0000X15300

KOMEL




fig.	Part No.	description	Ref. No.
1	514429	ball valve connection 1" IT - 1" ET total length 71mm	13110004
2	540751	ball valve connection 1" IT - tube ø25mm total length 59mm	—
3	540752	extension for drain tap L 165mm	—
3	694062	extension for drain tap L 400mm	—

KÜPPERSBUSCH




fig.	Part No.	description	Ref. No.
1	514399 ¹	ball valve connection 1/2" ET - 3/8" ET total length 75mm with hose connection	—

¹with hose connector



LINCAT



fig.	Part No.	description	Ref. No.
1	514188	ball valve connection 1" IT - 1" IT total length 81mm handle length 116mm	TA101/A

MARENO



fig.	Part No.	description	Ref. No.
1	514400	ball valve connection 1/2" IT - 1/2" IT total length 57mm handle length 68mm	MA1031400313
2	514097	ball valve inlet 1" IT outlet 1" IT L 84mm H 82mm	CR0412260
3	540698	ball valve inlet 1/2" IT outlet 1/2" ET L 59mm without handle shaft ø 10x7mm	1031401900



fig.	Part No.	description	Ref. No.
4	514098	extension for lever L 220mm	MACM149101

MBM ITALY



fig.	Part No.	description	Ref. No.
1	514074	ball valve connection 1/2" ET - 3/4" ET angled, with elbow connection	160214
2	540870	ball valve inlet 3/4" IT outlet 3/4" IT L 70mm without handle shaft ø 10x7mm	RTCU600076
3	514266	ball valve inlet 3/8" ET outlet 3/8" ET DN10 L 68mm without handle shaft ø 10x8mm	168006

NAYATI



fig.	Part No.	description	Ref. No.
1	101995	ball valve inlet 3/4" IT outlet 3/4" IT L 70mm without handle	GS2006
2	101713	extension	GS4226
3	101714	handle	GS80065
4	101718	ball handle thread M8 ø 25mm with metal bush black	GS2014

RIEBER



fig.	Part No.	description	Ref. No.
1	514334	ball valve connection 1/2" IT - 1/2" ET total length 45mm chrome-plated brass	32332401
2	560299	countersunk screw thread M5 L 75mm SS DIN/ISO DIN 965/ISO 7046 Qty 1 pcs intake Phillips	38350102
3	514335	extension for ball valve	37138201

STAR 10



fig.	Part No.	description	Ref. No.
1	514212	ball valve total length 93mm handle length 95mm L 93mm inlet 3/4" ET lever handle grommet ø 22mm	0000X15300

VALENTINE



fig.	Part No.	description	Ref. No.
1	514362	ball valve inlet 1" ET outlet 1" IT L 73mm without handle	6431
2	514363	nut thread 1" H 12,5mm SS WS 46 Qty 1 pcs	6432



ZANUSSI



fig.	Part No.	description	Ref. No.
1	540975	ball valve inlet 1/2" IT outlet 1/2" ET screw pipe fitting 16 L 67mm without handle	058610
2	540980	ball valve inlet 3/4" ET outlet 3/4" IT L 68mm without handle shaft ø 12x9mm	005948
3	540986	ball valve without handle L 67mm shaft ø 17x17mm inlet 1" IT outlet 1" ET	006688



fig.	Part No.	description	Ref. No.
4	540927	ball valve connection 1" IT - 1" IT total length 71mm without handle shaft ø 12x12mm	056885
4	540977	ball valve connection 3/4" IT - 3/4" IT DN20 total length 70mm without handle shaft ø 12x12mm	056114
5	540964	ball valve inlet 1/2" IT outlet 1/2" IT L 61mm without handle shaft ø 10x7.3mm	058647
6	540932	adapter for ball valve	0A2563
7	540933	extension IT for ball valve ET M6 shaft ø 10x8mm	0A2135
8	111666	star handle shaft 7x7mm ø 70mm L 22mm black thermo-plastic	010142
9	520511	ball valve connection 3/8" IT - 3/8" IT DN10 total length 41mm	—

ball valves electric

Ambach



fig.	Part No.	inlet	outlet	volt. (V)	L (mm)	connection
1	403042	3/4" IT	3/4" IT	230	68	cable 400mm

Baron



fig.	Part No.	inlet	outlet	volt. (V)	L (mm)	connection
1	401190	3/4" IT	3/4" IT	230	68	cable 300mm

Electrolux



fig.	Part No.	inlet	outlet	volt. (V)	L (mm)	connection
1	401139	3/4" IT	3/4" IT	230	65	cable 200mm
2	401140	1" IT	1" IT	230	152	cable 200mm

Falcon



fig.	Part No.	inlet	outlet	volt. (V)	L (mm)	connection
1	541892 ¹	28mm	28mm	230	100	cable 750mm

¹off-current open

Gico



fig.	Part No.	inlet	outlet	volt. (V)	L (mm)	connection
1	403026 ¹	1/2" IT	1/2" IT	230	90	cable 450mm

¹off-current open

Inoxtrend



fig.	Part No.	inlet	outlet	volt. (V)	L (mm)	connection
1	401085	1/2" IT	1/2" IT	230	60	cable 400mm



Juno



fig.	Part No.	inlet	outlet	volt. (V)	L (mm)	connection
1	401139	3/4" IT	3/4" IT	230	65	cable 200mm
2	401140	1" IT	1" IT	230	152	cable 200mm

Olis



fig.	Part No.	inlet	outlet	volt. (V)	L (mm)	connection
1	401190	3/4" IT	3/4" IT	230	68	cable 300mm

Küppersbusch



fig.	Part No.	inlet	outlet	volt. (V)	L (mm)	connection
1	401190	3/4" IT	3/4" IT	230	68	cable 300mm

Therma



fig.	Part No.	inlet	outlet	volt. (V)	L (mm)	connection
1	401139	3/4" IT	3/4" IT	230	65	cable 200mm

Lainox



fig.	Part No.	inlet	outlet	volt. (V)	L (mm)	connection
1	403026 ¹	1/2" IT	1/2" IT	230	90	cable 450mm
1	403042	3/4" IT	3/4" IT	230	68	cable 400mm

¹off-current open

Whirlpool



fig.	Part No.	inlet	outlet	volt. (V)	L (mm)	connection
1	401085	1/2" IT	1/2" IT	230	60	cable 400mm

Zanussi



fig.	Part No.	inlet	outlet	volt. (V)	L (mm)	connection
1	401139	3/4" IT	3/4" IT	230	65	cable 200mm
2	401140	1" IT	1" IT	230	152	cable 200mm

MBM-Italia



fig.	Part No.	inlet	outlet	volt. (V)	L (mm)	connection
1	401386 ¹	1/2" IT	1/2" IT	230	60	cable 450mm

¹off-current open



gate valves



pos.	Part No.	connection	total length (mm)
1	520290	1/2" IT - 1/2" IT	43
2	520291	3/4" IT - 3/4" IT	47
3	541891	3/4" IT - 3/4" IT	49
4	520377	1" IT - 1" IT	51
5	520292	1" IT - 1" IT	53

shut-off valves

universal



fig.	Part No.	description	connection	upper part	version	total length (mm)
1	514100	shut-off valve	1/2"	1/2"	cold	65
2	514101	shut-off valve	1/2"	1/2"	hot	65
1	514102	shut-off valve	3/4"	3/4"	cold	75
2	514103	shut-off valve	3/4"	3/4"	hot	75



fig.	Part No.	description	connection	upper part	version	total length (mm)
3	514104	tap head	-	1/2"	cold	-
4	514105	tap head	-	1/2"	hot	-
3	514106	tap head	-	3/4"	cold	-
4	514107	tap head	-	3/4"	hot	-



fig.	Part No.	description	connection	upper part	version	total length (mm)
1	514095	shut-off valve	1/2"	1/2"	cold/warm	65
1	514096	shut-off valve	3/4"	3/4"	cold/warm	75
2	541429	shut-off valve	1/2"	1/2"	cold/warm	45
2	547952	shut-off valve	3/4"	3/4"	cold/warm	56




fig.	Part No.	description	connection	upper part	version	total length (mm)
3	547953	tap head	-	1/2"	cold/warm	-
3	547950	tap head	-	3/4"	cold/warm	-
4	547954	tap head	-	1/2"	without handle	-
4	547951	tap head	-	3/4"	without handle	-
5	547430	hood handle	7,5mm	-	cold/warm	-



fig.	Part No.	description	connection	upper part	version	total length (mm)
1	693107	shut-off valve	1/2"	1/2"	cold	54
2	514082	shut-off valve	1/2"	1/2"	hot	54



fig.	Part No.	description	connection	upper part	version	total length (mm)
3	548169	star handle	-	-	cold	-
4	548168	star handle	-	-	hot	-
5	514085	rosette	26x19G	-	chrome-plated	-
6	514086	hexagonal nut	26x19G	-	brass	-

1

fig.	Part No.	description	connection	upper part	version	total length (mm)
1	514370	shut-off valve	1/2"	1/2"	hot	54



3 4

fig.	Part No.	description	connection	upper part	version	total length (mm)
3	540941	shut-off valve	1/2"	1/2"	cold	59
4	514091	shut-off valve	1/2"	1/2"	hot	59



2 3 4 5

fig.	Part No.	description	connection	upper part	version	total length (mm)
2	540414	star handle	-	-	hot	-
3	540415	star handle	-	-	cold	-
4	514085	rosette	26x19G	-	chrome-plated	-
5	514086	hexagonal nut	26x19G	-	brass	-




5 6 7

fig.	Part No.	description	connection	upper part	version	total length (mm)
5	540000	star handle	7,5mm	-	cold/warm	-
6	540924	tap head	1/2"	-	-	-
7	540944	rosette	26x18G	-	chrome-plated	-



1 2

fig.	Part No.	description	connection	upper part	version	total length (mm)
1	514092	shut-off valve	3/4"	3/4"	cold	60
2	514093	shut-off valve	3/4"	3/4"	hot	60




1 2

fig.	Part No.	description	connection	upper part	version	total length (mm)
1	514060	shut-off valve	1/2"	1/2"	without handle	45
2	548423	tap head	1/2"	-	-	110




1 2

fig.	Part No.	description	connection	upper part	version	total length (mm)
1	540942	shut-off valve	1/2"	1/2"	cold	30
2	540943	shut-off valve	1/2"	1/2"	hot	30




3 4 5 6

fig.	Part No.	description	connection	upper part	version	total length (mm)
3	112764	knob	-	-	cold	-
4	112763	knob	-	-	hot	-
5	514085	rosette	26x19G	-	chrome-plated	-
6	514086	hexagonal nut	26x19G	-	brass	-


1

fig.	Part No.	description	connection	upper part	version	total length (mm)
1	514478	shut-off valve	1/2"	1/2"	straight	65/110



3 4

fig.	Part No.	description	Ref. No.
3	540942	shut-off valve connection 1/2" 1/2" cold total length 30mm mounting pos. left	5018007357
4	540943	shut-off valve connection 1/2" 1/2" hot total length 30mm mounting pos. right	5018003416



1 2

fig.	Part No.	description	connection	upper part	tube ø (mm)	version	total length (mm)
1	540892	shut-off valve	soldering connection	1/2"	15	cold	54
2	540891	shut-off valve	soldering connection	1/2"	15	hot	54
1	540893	shut-off valve	soldering connection	3/4"	18	cold	90
2	540894	shut-off valve	soldering connection	3/4"	18	hot	90

ANGELO PO



1 2 3

fig.	Part No.	description	Ref. No.
1	541817	shut-off valve connection 1/2" 1/2" without handle total length 40mm shaft L 15mm	—
2	541818	rosette chrome-plated thread 28x19G ø 58mm H 25mm	—
3	514090	star handle cold/warm	—



3 4

fig.	Part No.	description	connection	upper part	tube ø (mm)	version	total length (mm)
3	540899	tap head	-	1/2"	-	cold	-
4	540898	tap head	-	1/2"	-	hot	-
3	540900	tap head	-	3/4"	-	cold	-
4	540901	tap head	-	3/4"	-	hot	-



4 5 6 7

fig.	Part No.	description	Ref. No.
4	540690	shut-off valve connection 3/8" total length 27mm angled shaft intake ø M4mm rosette thread G2 1"	33D0590
5	514385	shut-off valve connection 3/8" 3/8" without handle mounting pos. any	3005990
6	541813	star handle cold total length 36mm shaft intake ø 8mm plastic for valve	36M2632
7	514383	star handle hot total length 36mm shaft intake ø 8mm plastic for valve	36M2641

producer-specific

AMBACH



1 2

fig.	Part No.	description	Ref. No.
1	540941	shut-off valve connection 1/2" 1/2" cold total length 59mm rosette thread G2 26x18G	5018003414
2	514091	shut-off valve connection 1/2" 1/2" hot total length 59mm rosette thread G2 26x18G	—



BARON



fig.	Part No.	description	Ref. No.
1	514271	shut-off valve connection 1/2" 1/2" total length 35mm mounting pos. left	BN41853321537
1	514267	shut-off valve connection 1/2" 1/2" total length 35mm mounting pos. right	BN41826900070
2	111704	knob connection 10x8 ø 70mm water cold (1/2 turn) shaft ø 10x8mm shaft flat upper	BN41824710140
2	111709	knob connection 10x8 water warm (1/2 turn) ø 70mm	BN41824710150
3	514083	rosette connection 27x19G chrome-plated	—
4	514084	nut thread 27x19G WS 34	—

FAGOR



fig.	Part No.	description
1	514161	shut-off valve connection 1/2" 1/2" straight total length 28mm mounting pos. left angled
2	514000	shut-off valve connection 1/2" 1/2" straight total length 54mm square 7x7mm



fig.	Part No.	description
3	540415	star handle cold cold water H2 22mm D1 ø 35mm type T shaft intake ø 7x7mm shaft length H1 14mm
4	540414	star handle hot hot water H2 22mm D1 ø 35mm type T shaft intake ø 7x7mm shaft length H1 14mm
5	514085	rosette connection 26x19G chrome-plated
6	514086	hexagonal nut connection 26x19G brass H 6mm WS 34 Qty 1 pcs



fig.	Part No.	description
1	514160	shut-off valve connection 1/2" 1/2" straight total length 54mm star-shaped
2	548169	star handle cold chrome-plated ø 57mm
3	514085	rosette connection 26x19G chrome-plated
4	514086	hexagonal nut connection 26x19G brass H 6mm WS 34 Qty 1 pcs

GICO



fig.	Part No.	description	Ref. No.
1	540737	shut-off valve connection 1/2" 1/2" straight total length 52mm rosette thread G2 26x19G	790304640
2	540738	star handle bore ø 10mm ø 58mm L 38mm black	760308790
3	514085	rosette connection 26x19G chrome-plated	—
4	514086	hexagonal nut connection 26x19G brass H 6mm WS 34 Qty 1 pcs	—

LINCAT



fig.	Part No.	description	Ref. No.
1	514187	shut-off valve connection 1/2" 1/2" cold/warm total length 50mm	CO167



LOTUS

1

fig.	Part No.	description	Ref. No.
1	541770	shut-off valve connection 1/2" 1/2" cold total length 50mm mounting pos. left	531037600

MBM ITALY

1

fig.	Part No.	description	Ref. No.
1	540868	shut-off valve connection 1/2" 1/2" total length 25mm rosette thread G2 27x19G	RTCP800018

MARENO

1

fig.	Part No.	description	Ref. No.
1	540930	shut-off valve connection 1/2" 1/2" total length 48mm mounting pos. left	MACM127800

SILKO

1 2 3

fig.	Part No.	description	Ref. No.
1	540656	shut-off valve connection 1/2" straight total length 54mm rosette thread G2 26x19G L1 34mm	SIR0102613
2	514085	rosette connection 26x19G chrome-plated	—
3	514086	hexagonal nut connection 26x19G brass H 6mm WS 34 Qty 1 pcs	—

2 3 4 5

fig.	Part No.	description	Ref. No.
2	514061	knob water cold ø 67mm shaft ø 10x8mm shaft flat variable	MACM143100
3	514245	knob water hot ø 67mm shaft ø 10x8mm shaft flat variable	MACM143200
4	514083	rosette connection 27x19G chrome-plated	—
5	514084	nut thread 27x19G WS 34	—

ZANUSSI

1 2 3 4

fig.	Part No.	description	Ref. No.
1	541848	shut-off valve connection 1/2" 1/2" total length 48mm mounting pos. right	002922
2	111642	knob water cold ø 70mm shaft ø 10x8mm shaft flat upper black H 39mm	058632
3	514083	rosette connection 27x19G chrome-plated	—
4	514084	nut thread 27x19G WS 34	—

6 7 8

fig.	Part No.	description	Ref. No.
6	540517	shut-off valve connection 1/2" 26x19G straight total length 123mm mounting pos. any	—
7	514244	tap head without handle T1: 26x19G engagement length H1 38mm shaft length H3 52mm	MA955600
8	693081	cross handle ø 80mm H 40mm shaft diameter 9x9mm marking blue chrome-plated brass	MA832400

valves and tank inlets




fig.	Part No.	description	Ref. No.
1	540930	shut-off valve connection 1/2" 1/2" total length 48mm mounting pos. left	003517
1	540971	shut-off valve connection 1/2" 1/2" total length 48mm mounting pos. right shaft L 61mm	003516
2	514083	rosette connection 27x19G chrome-plated	—
3	514084	nut thread 27x19G WS 34	—




fig.	Part No.	description	Ref. No.
4	111642	knob water cold ø 70mm shaft ø 10x8mm shaft flat upper black H 39mm	058632
4	111644	knob water cold ø 70mm shaft ø 10x8mm shaft flat upper black H 25mm	059531
5	111680	knob water hot ø 70mm shaft ø 10x8mm shaft flat upper black/red H 39mm	059516
5	111678	knob water hot ø 70mm shaft ø 10x8mm shaft flat upper black/red H 29mm	058708
6	514061	knob water cold ø 67mm shaft ø 10x8mm shaft flat variable	—
7	514245	knob water hot ø 67mm shaft ø 10x8mm shaft flat variable	—



fig.	Part No.	description	Ref. No.
1	540773	shut-off valve connection 1/2" 1/2" left total length 34mm mounting pos. left angled	026537
1	540771	shut-off valve connection 1/2" 1/2" right total length 34mm mounting pos. right angled	053703
2	514083	rosette connection 27x19G chrome-plated	—
3	514084	nut thread 27x19G WS 34	—



fig.	Part No.	description	Ref. No.
4	540415	star handle cold cold water H2 22mm D1 ø 35mm type T shaft intake ø 7x7mm shaft length H1 14mm	—
5	540414	star handle hot hot water H2 22mm D1 ø 35mm type T shaft intake ø 7x7mm shaft length H1 14mm	—
6	110287	knob water ø 50mm shaft ø 7x7mm	025260
7	110288	cover cap knob white	054367

steam valves



fig.	Part No.	connection	total length (mm)	H (mm)
1	541544	1" IT - 1" ET	82	136
1	541545	1 1/4" IT - 1 1/4" ET	95	138
2	541541	3/4" IT	75	118
2	541542	1" IT	90	140
2	541543	1 1/4" IT	110	148




fig.	Part No.	description
1	541553	gasket copper ext. ø 39 ID ø 33mm H 2mm for thread 1"
1	541554	gasket copper ext. ø 49 ID ø 42mm H 2mm for thread 1 1/4"
1	541555	gasket copper ext. ø 55 ID ø 48mm H 2mm for thread 1 1/2"
2	541550	gasket fibre ext. ø 40 ID ø 34mm H 2mm for thread 1"
2	541551	gasket fibre ext. ø 48 ID ø 42mm H 2mm for thread 1 1/4"
2	541552	gasket fibre ext. ø 57 ID ø 48mm H 2mm for thread 1 1/2"




fig.	Part No.	description
3	541561	gasket PTFE ext. ø 15 ID ø 10,5mm H 8mm
4	541562	gasket PTFE ext. ø 18 ID ø 12,5mm H 8mm for thread 1 1/4"-1 1/2"
5	541549	gasket PTFE ext. ø 41 ID ø 20mm H 9mm for thread 1 1/2"
5	541548	gasket PTFE ID ø 15mm H 7mm for thread 1 1/4" ED ø 35mm
5	541547	gasket PTFE ID ø 9,5mm H 7mm for thread 1" ED ø 27,5mm
6	541560	gasket PTFE ext. ø 11,3 ID ø 8mm H 5mm



fig.	Part No.	description
7	541558	tap head chrome-plated thread 1/2" for steam tap 1/4"
7	541556	tap head chrome-plated thread 1" for steam tap 3/4"
7	541557	tap head chrome-plated thread 1/4" for steam tap 1"
8	541546	screw chrome-plated brass thread M5 thread L 10mm
9	541559	star handle shaft 8x8mm ø 80mm L 23mm black thermoplastic
9	540229	star handle shaft 9x9mm ø 80mm L 23mm black thermoplastic

fig.	Part No.	connection	total length (mm)	H (mm)
1	541455	1" ET	40	150
2	520000	1 1/4" IT	52	190
3	541454	1" IT	80	115
3	541599	1 1/4" IT	95	135

fig.	Part No.	description
1	541564	gasket PTFE for thread 1"
2	541563	star handle shaft 7x7mm ø 72mm L 24mm black plastic
2	541567	star handle shaft 9x9mm ø 72mm L 24mm black plastic
3	541565	tap head for steam tap 1" shaft 7x7mm
3	541566	tap head for steam tap 1/4" shaft 9x9mm

mixing valves

fig.	Part No.	description
1	541801	mixing valve thread 1/2" ET - 1/2" ET - 1/2" IT

fig.	Part No.	description
2	541475 ¹	mixing valve thread 1/2" ET - 1/2" IT - 1/2" ET

¹with backflow preventer

fig.	Part No.	description
3	540269 ¹	mixing valve thread 1/2" ET thermostatic

¹with backflow preventer

inlet taps

fig.	Part No.	connection	tube ø (mm)	projection (mm)	overall height (mm)	spout height (mm)	RA (°)
1	514269	1/2" ET	18	100	230	140	360

fig.	Part No.	G	ø (mm)	A (mm)	B1 (mm)	B2 (mm)	RA (°)
1	514406	1/2" ET	18	105	115	60	90

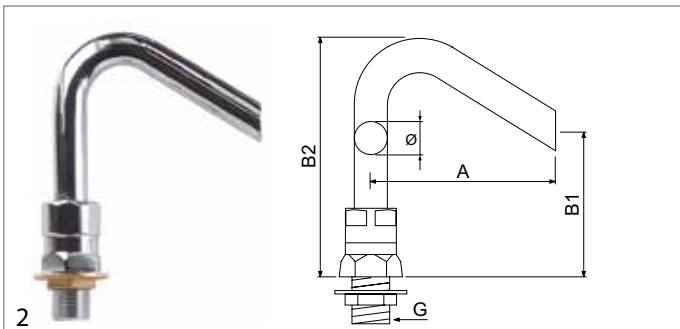


fig.	Part No.	G	ø (mm)	A (mm)	B1 (mm)	B2 (mm)	RA (°)
2	540950	1/2" ET	18	105	130	70	90
2	542005	1/2" ET	18	105	130	70	360
2	540360	1/2" ET	18	105	165	110	360
2	540669	1/2" ET	20	105	140	55	90
2	540361	3/4" ET	18	110	165	110	360
2	540362	3/4" ET	18	110	210	150	90

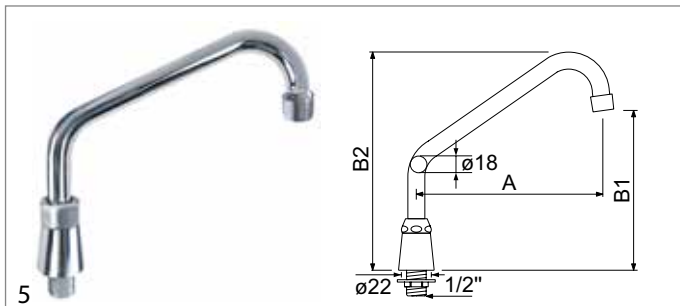


fig.	Part No.	G	ø (mm)	A (mm)	B1 (mm)	B2 (mm)	RA (°)
5	547906	1/2" ET	18	200	240	175	360
5	547907	1/2" ET	18	250	260	195	360
5	547908	1/2" ET	18	300	290	225	360

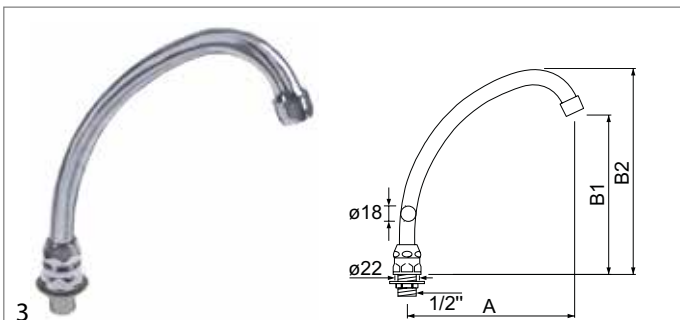


fig.	Part No.	G	ø (mm)	A (mm)	B1 (mm)	B2 (mm)	RA (°)
3	547900	1/2" ET	18	155	150	115	360
3	547901	1/2" ET	18	200	240	170	360
3	547902	1/2" ET	18	250	290	220	360

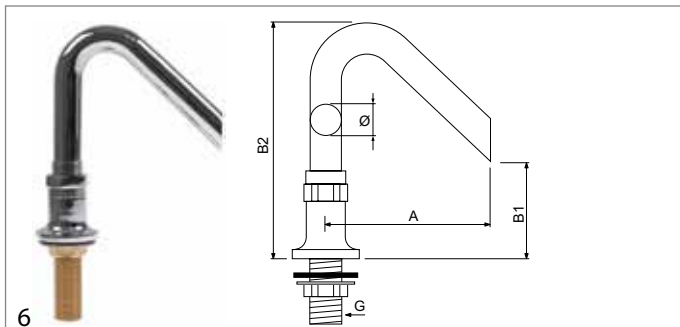


fig.	Part No.	G	ø (mm)	A (mm)	B1 (mm)	B2 (mm)	RA (°)
6	542234	1/2" ET	20	105	150	55	180

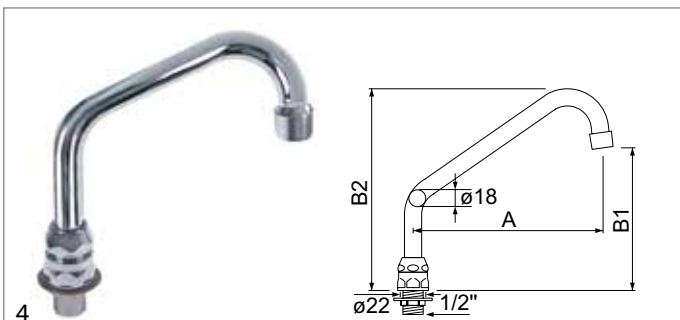


fig.	Part No.	G	ø (mm)	A (mm)	B1 (mm)	B2 (mm)	RA (°)
4	547903	1/2" ET	18	200	215	150	360
4	547904	1/2" ET	18	250	240	175	360
4	547905	1/2" ET	18	300	270	205	360

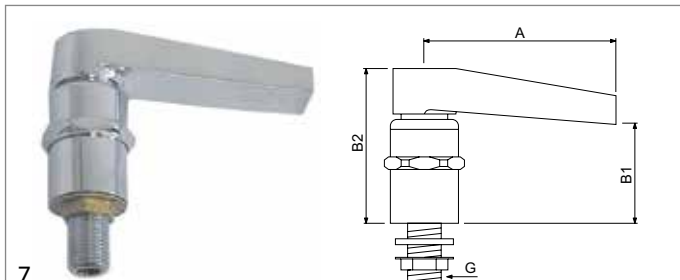


fig.	Part No.	G	ø (mm)	A (mm)	B1 (mm)	B2 (mm)	RA (°)
7	540705	1/2" ET	40	120	95	60	-

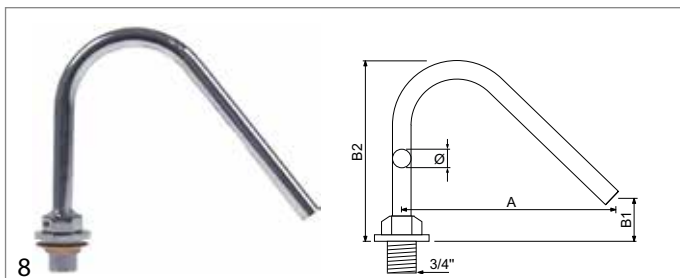


fig.	Part No.	G	ø (mm)	A (mm)	B1 (mm)	B2 (mm)	RA (°)
8	514330	3/4" ET	17	180	165	10	-

valves and tank inlets



fig. 9

fig.	Part No.	G	ø (mm)	A (mm)	B1 (mm)	B2 (mm)	RA (°)
9	540778	3/4" ET	20	400	190	150	360
9	545217	3/4" ET	25	250	180	105	360
9	545218	3/4" ET	25	300	195	105	360
9	545220	3/4" ET	25	300	285	190	360
9	545219	3/4" ET	25	400	195	105	360

fig. 10

fig.	Part No.	G	ø (mm)	A (mm)	B1 (mm)	B2 (mm)	RA (°)
10	514332	3/4" ET	25	200	200	25	360

Ambach

fig. 1

fig.	Part No.	connection	tube ø (mm)	projection (mm)	overall height (mm)	spout height (mm)
1	540940	1/2" ET	18	95	135	90

Angelo-Po

fig. 1

fig.	Part No.	connection	tube ø (mm)	projection (mm)	overall height (mm)	spout height (mm)
1	514081	3/8" ET	10	50	56	25

Cookmax

fig. 1

fig.	Part No.	connection	tube ø (mm)	projection (mm)	overall height (mm)	spout height (mm)
1	514408	3/8" ET	12	58	76	30
2	514401	M16x1.5	10	48	35	15

Electrolux

fig. 1

fig.	Part No.	connection	tube ø (mm)	projection (mm)	overall height (mm)	spout height (mm)
1	541895	1/2" ET	16	50	70	50

Fagor

fig. 1

fig.	Part No.	connection	tube ø (mm)	projection (mm)	overall height (mm)	spout height (mm)
1	691019	1/2" ET	14	110	80	60

Mareno

fig. 1

fig.	Part No.	connection	tube ø (mm)	projection (mm)	overall height (mm)	spout height (mm)
1	514401	M16x1.5	10	48	35	15




Olis



1


fig.	Part No.	connection	tube ø (mm)	projection (mm)	overall height (mm)	spout height (mm)
1	514408	3/8" ET	12	58	76	30

Zanussi



1


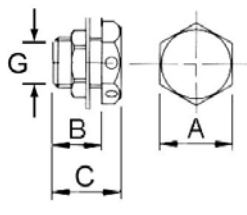
fig.	Part No.	connection	tube ø (mm)	projection (mm)	overall height (mm)	spout height (mm)
1	541895	1/2" ET	16	50	70	50



1 2 3


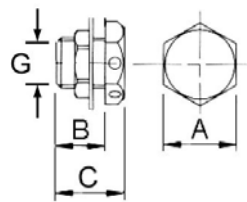
fig.	Part No.	connection	tube ø (mm)	projection (mm)	overall height (mm)	spout height (mm)	RA (°)
1	549959	-	18	195	175	40	-
2	540364	-	18	100	165	110	360
3	549948	3/4" ET	-	-	23	-	360

tank inlets


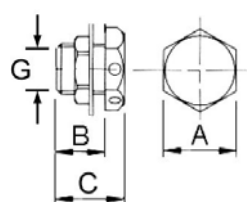
1

fig.	Part No.	G	A	B (mm)	C (mm)	suitable for
1	691605	1/2"	27	26	32	Echtermann Lohberger


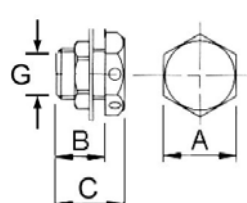
2

fig.	Part No.	G	A	B (mm)	C (mm)	suitable for
2	693728	1/2"	30	20	28	Nayati

3

fig.	Part No.	G	A	B (mm)	C (mm)	suitable for
3	691606	1/2"	34	15	29	Echtermann





4

fig.	Part No.	G	A	B (mm)	C (mm)	suitable for
4	691390	1/2" - 3/8"	30	22	29	Baron Cookmax

float valves

float valves

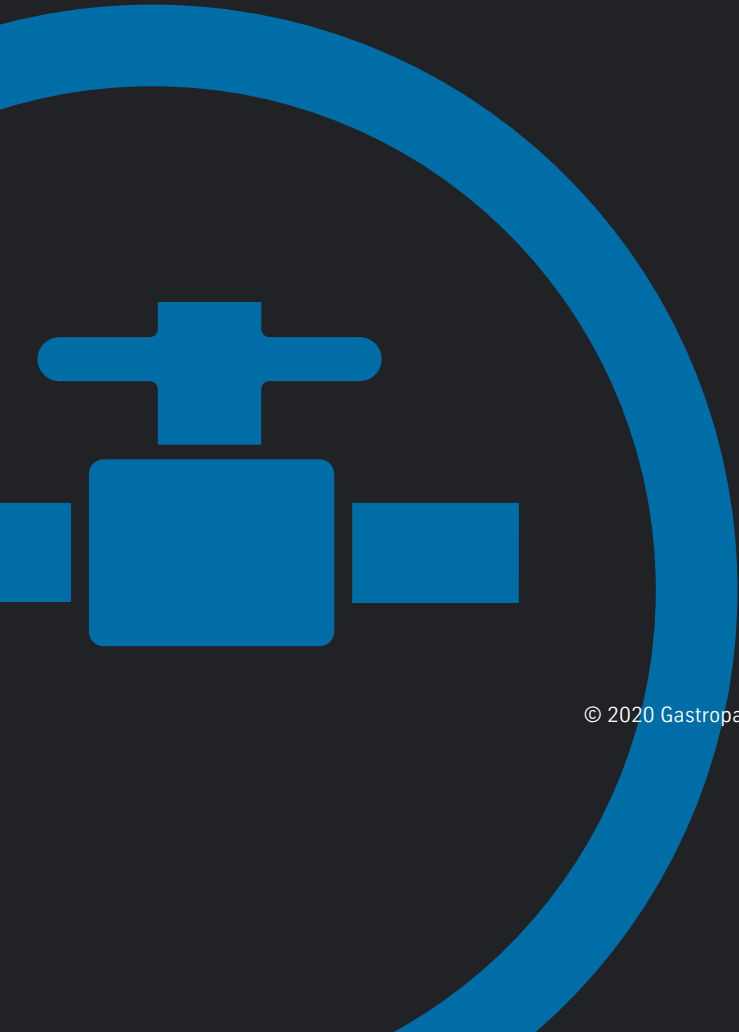


1

fig.	Part No.	inlet	outlet (mm)	input (l/min)	pressure range (bar)	suitable for
1	518118	3/4"	13.5	3.5	0.3-10	Hobart
1	501397	3/4"	13.5	9	0.3-10	Meiko

valves and tank inlets

GASTROPARTS.COM



© 2020 Gastroparts Sp. J. All rights reserved.