



GASTROPARTS

Universal Catalogue › Water Technology ›

[EN] Pre-rinse units

[DE] Geschirrbrausen

[ES] Duchas para vajilla

[FR] Mélangeur d'évier de cuisine

[IT] Rubinetto miscelatore lavello

[PL] Bateria ze spryskiwaczem

[RU] Души для мытья посуды

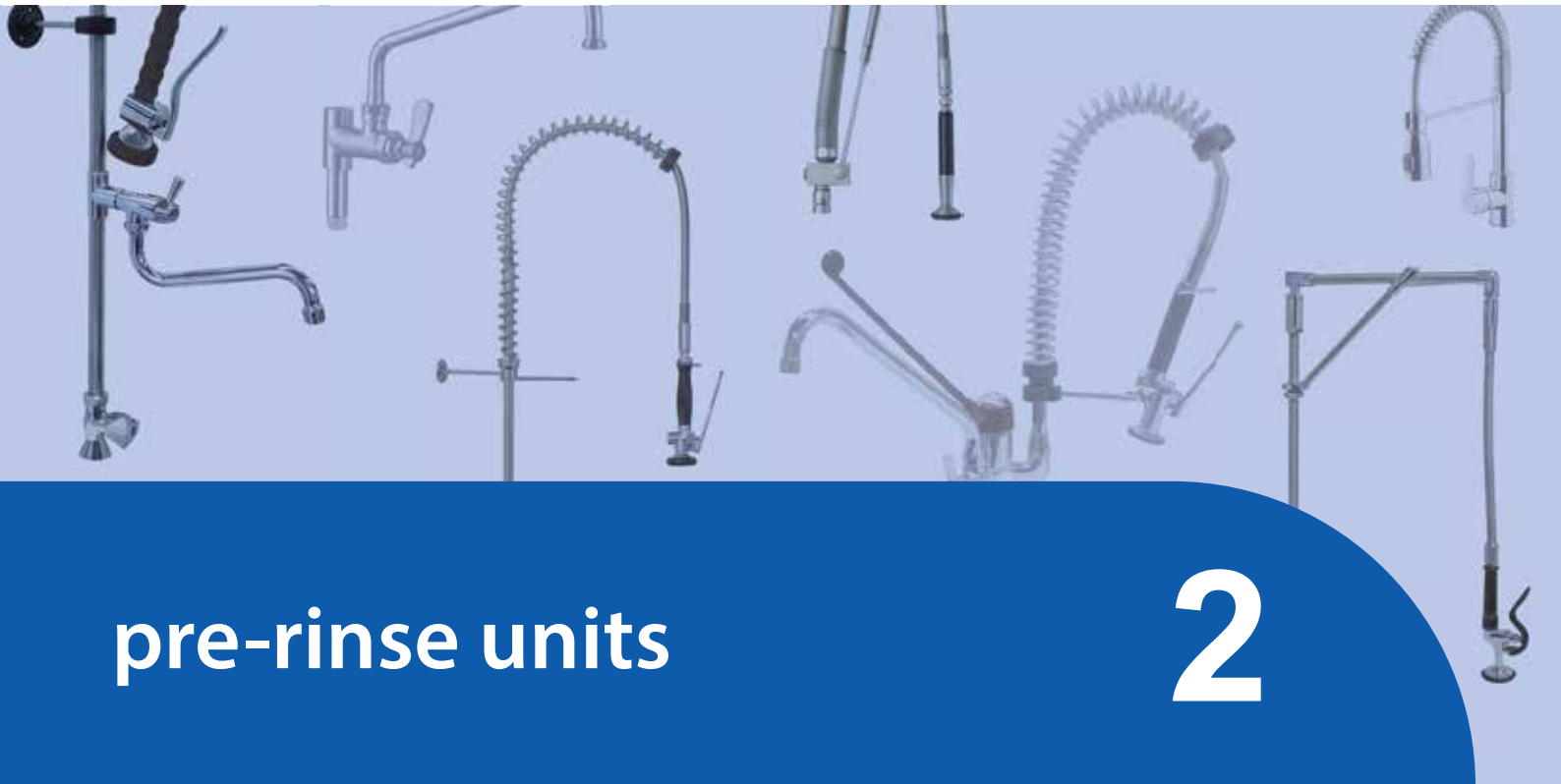
✉ gastroparts@gastroparts.com

☎ tel. +48 56 657 00 66

📘 fb.com/gastroparts.global

GASTROPARTS.COM





pre-rinse units

2

CLASSIC	58
PREMIUM PLUS	68
PREMIUM PLUS AUTOMATIC	75
PREMIUM ABSOLUTE	80
INOX	82
INOX AUTOMATIC	85
CLASSIC AMERICAN Style	88
PREMIUM AMERICAN Style	94
spare parts of other producers	100



pre-rinse units

CLASSIC

with pillar tap

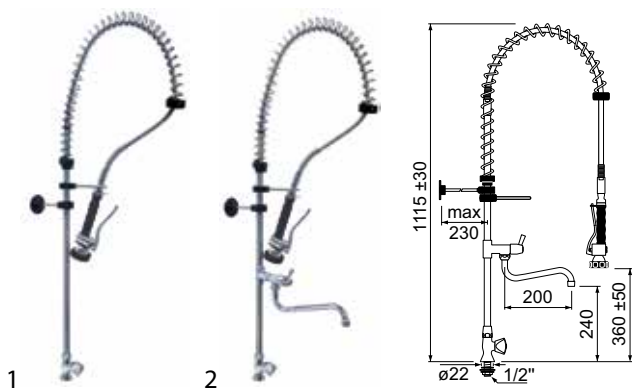


fig.	Part No.	upper part	handle type	connection
1	548800	tap head 1/2"	triangular	1/2"
1	548815	ceramic tap head 1/2"	triangular	1/2"
2	548801	tap head 1/2"	triangular	1/2"
2	548816	ceramic tap head 1/2"	triangular	1/2"

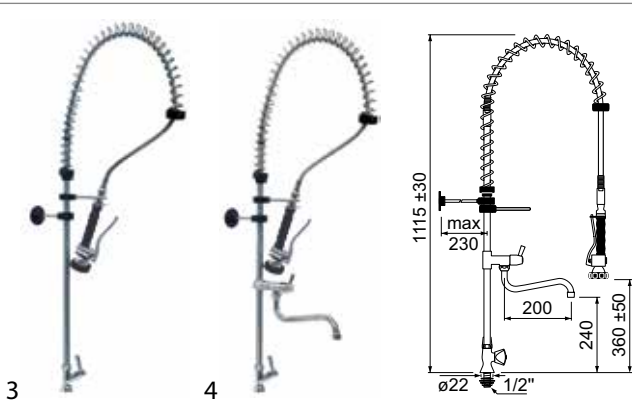


fig.	Part No.	upper part	handle type	connection
3	548902	ceramic tap head 1/2"	lever	1/2"
4	548903	ceramic tap head 1/2"	lever	1/2"

with monobloc tap

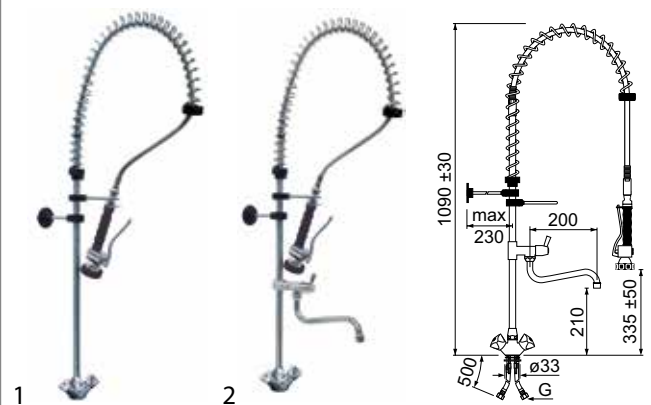


fig.	Part No.	upper part	handle type	G
1	548802	tap head 1/2"	triangular	3/8"
1	548803	tap head 1/2"	triangular	1/2"
1	548817	ceramic tap head 1/2"	triangular	3/8"
1	548818	ceramic tap head 1/2"	triangular	1/2"
2	548804	tap head 1/2"	triangular	3/8"
2	548805	tap head 1/2"	triangular	1/2"
2	548819	ceramic tap head 1/2"	triangular	3/8"
2	548820	ceramic tap head 1/2"	triangular	1/2"

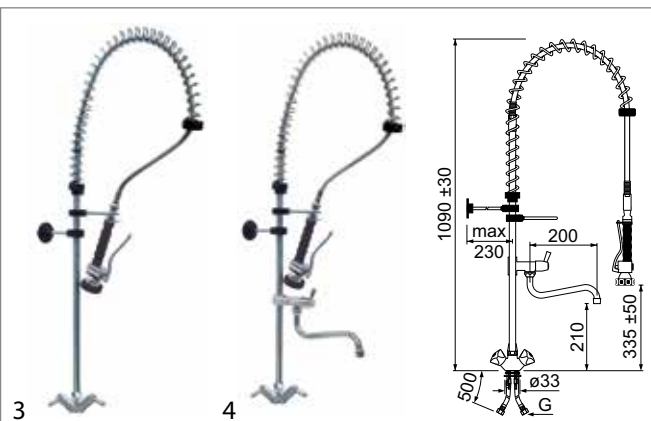


fig.	Part No.	upper part	handle type	G
3	548904	ceramic tap head 1/2"	lever	3/8"
3	548906	ceramic tap head 1/2"	lever	1/2"
4	548905	ceramic tap head 1/2"	lever	3/8"
4	548907	ceramic tap head 1/2"	lever	1/2"

pre-rinse units

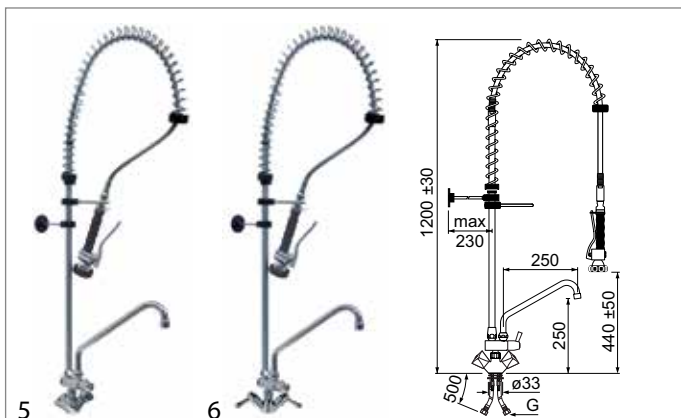
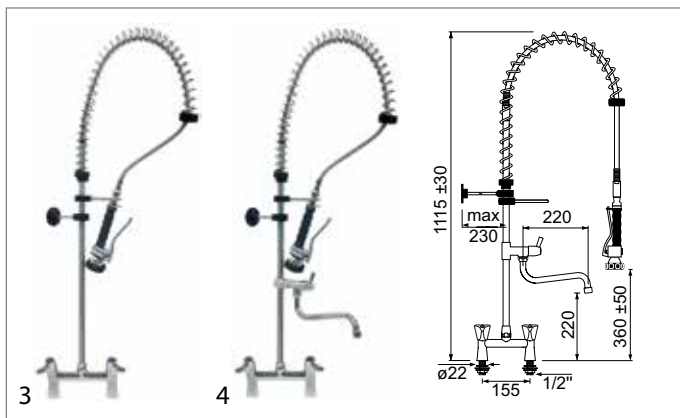


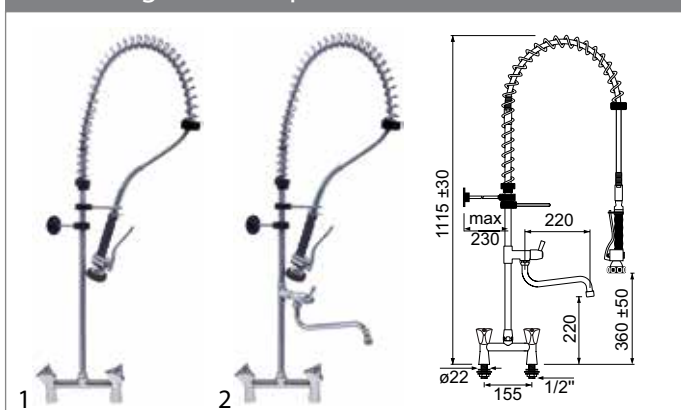
fig.	Part No.	upper part	handle type	G
5	542520	tap head 1/2"	triangular	3/8"
5	542521	tap head 1/2"	triangular	1/2"
5	542244	ceramic tap head 1/2"	triangular	3/8"
5	542245	ceramic tap head 1/2"	triangular	1/2"
6	542522	ceramic tap head 1/2"	with lever handle	3/8"
6	542523	ceramic tap head 1/2"	with lever handle	1/2"



technical data:
hole distance 155mm

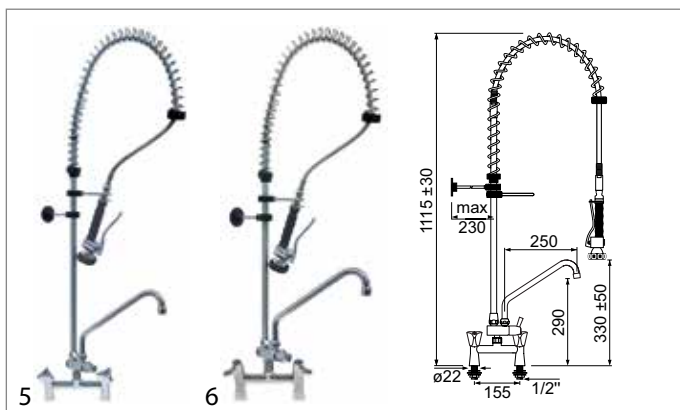
fig.	Part No.	upper part	handle type	connection
3	548914	ceramic tap head 1/2"	lever	1/2"
4	548915	ceramic tap head 1/2"	lever	1/2"

with bridge mixer tap



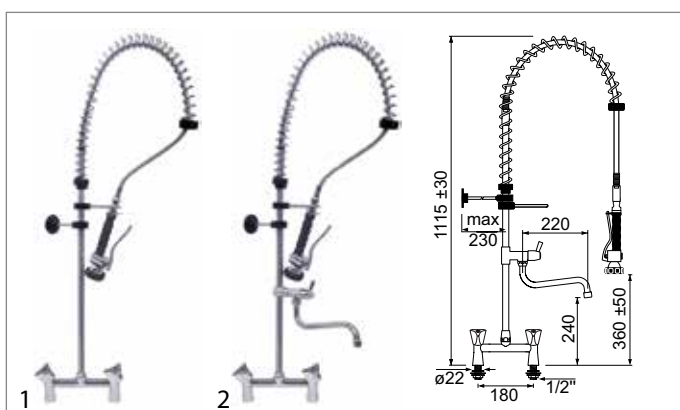
technical data:
hole distance 155mm

fig.	Part No.	upper part	handle type	connection
1	548910	tap head 1/2"	triangular	1/2"
1	548912	ceramic tap head 1/2"	triangular	1/2"
2	548911	tap head 1/2"	triangular	1/2"
2	548913	ceramic tap head 1/2"	triangular	1/2"



technical data:
hole distance 155mm

fig.	Part No.	upper part	handle type	connection
5	542246	tap head 1/2"	triangular	1/2"
5	542247	ceramic tap head 1/2"	triangular	1/2"
6	542248	ceramic tap head 1/2"	lever	1/2"



technical data:
hole distance 180mm

fig.	Part No.	upper part	handle type	connection
1	545049	tap head 1/2"	triangular	1/2"
1	545153	ceramic tap head 1/2"	triangular	1/2"
2	545057	tap head 1/2"	triangular	1/2"
2	545154	ceramic tap head 1/2"	triangular	1/2"



technical data:
hole distance 180mm

fig.	Part No.	upper part	handle type	connection
3	545107	ceramic tap head 1/2"	lever	1/2"
4	545108	ceramic tap head 1/2"	lever	1/2"

technical data:
hole distance 150mm

fig.	Part No.	upper part	handle type	connection
3	548916	ceramic tap head 1/2"	lever	1/2"
4	548917	ceramic tap head 1/2"	lever	1/2"

technical data:
hole distance 180mm

fig.	Part No.	upper part	handle type	connection
5	545155	tap head 1/2"	triangular	1/2"
5	545156	ceramic tap head 1/2"	triangular	1/2"

technical data:
hole distance 150mm

fig.	Part No.	upper part	handle type	connection
1	548814	tap head 1/2"	triangular	1/2"
1	548829	ceramic tap head 1/2"	triangular	1/2"
2	548920	ceramic tap head 1/2"	lever	1/2"

technical data:
hole distance 150mm

fig.	Part No.	upper part	handle type	connection
1	548810	tap head 1/2"	triangular	1/2"
1	548825	ceramic tap head 1/2"	triangular	1/2"
2	548811	tap head 1/2"	triangular	1/2"
2	548826	ceramic tap head 1/2"	triangular	1/2"

with wall-mounted water tap

technical data:
hole distance 150±20mm

fig.	Part No.	upper part	handle type	connection
1	548808	tap head 1/2"	triangular	1/2"
1	548823	ceramic tap head 1/2"	triangular	1/2"
2	548809	tap head 1/2"	triangular	1/2"
2	548824	ceramic tap head 1/2"	triangular	1/2"



technical data:
hole distance 150±20mm

fig.	Part No.	upper part	handle type	connection
3	548918	ceramic tap head 1/2"	lever	1/2"
4	548930	ceramic tap head 1/2"	lever	1/2"

technical data:
hole distance 150±20mm

fig.	Part No.	upper part	handle type	connection
1	548812	tap head 1/2"	triangular	1/2"
1	548827	ceramic tap head 1/2"	triangular	1/2"
2	548921	ceramic tap head 1/2"	lever	1/2"

with single lever monobloc tap

fig.	Part No.	cartridge	G
1	548830	ceramic cartridge ø 40mm	3/8"
1	548831	ceramic cartridge ø 40mm	1/2"
2	548832	ceramic cartridge ø 40mm	3/8"
2	548833	ceramic cartridge ø 40mm	1/2"

fig.	Part No.	cartridge	A (mm)	B (mm)	G
1	545114	ceramic cartridge ø 40mm	200	185	3/8"
1	545115	ceramic cartridge ø 40mm	200	185	1/2"
1	545116	ceramic cartridge ø 40mm	250	225	3/8"
1	545117	ceramic cartridge ø 40mm	250	225	1/2"
1	545094	ceramic cartridge ø 40mm	300	250	3/8"
1	545095	ceramic cartridge ø 40mm	300	250	1/2"

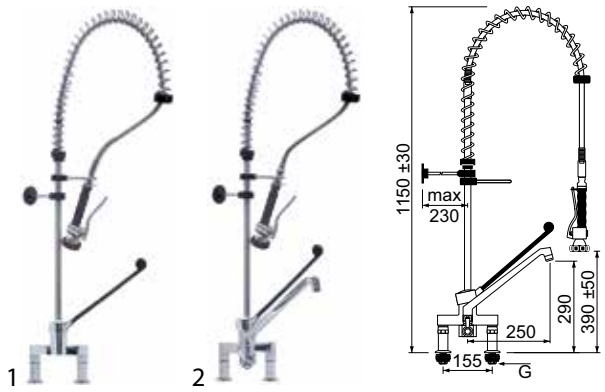
fig.	Part No.	cartridge	A (mm)	B (mm)	G
1	545096	ceramic cartridge ø 40mm	200	160	3/8"
1	545099	ceramic cartridge ø 40mm	200	160	1/2"
1	545098	ceramic cartridge ø 40mm	250	200	3/8"
1	545104	ceramic cartridge ø 40mm	250	200	1/2"
1	545092	ceramic cartridge ø 40mm	300	250	3/8"
1	545093	ceramic cartridge ø 40mm	300	250	1/2"

fig.	Part No.	cartridge	spout length (mm)	spout height (mm)	G
1	547343	ceramic cartridge ø 47mm	250	270	3/8"
1	547344	ceramic cartridge ø 47mm	250	270	1/2"

2 pre-rinse units

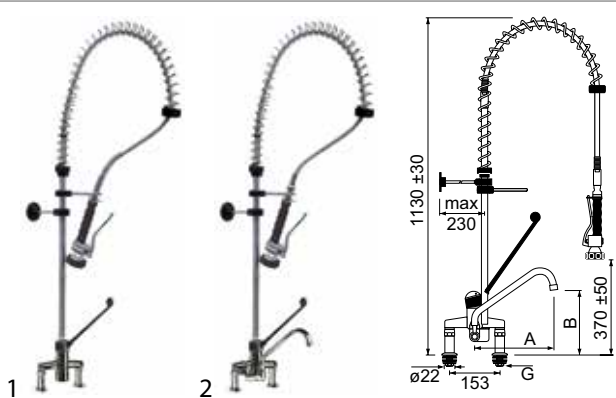


with single lever bridge mixer tap



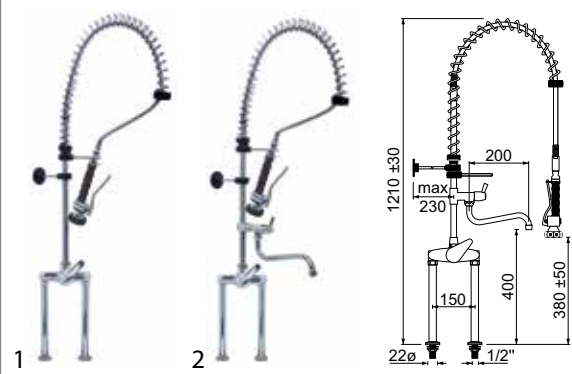
technical data:
hole distance 155mm

fig.	Part No.	cartridge	spout length (mm)	spout height (mm)	G
1	548932	ceramic cartridge ø 47mm	-	-	1/2"
1	548931	ceramic cartridge ø 47mm	-	-	3/4"
2	548925	ceramic cartridge ø 47mm	250	290	1/2"
2	548924	ceramic cartridge ø 47mm	250	290	3/4"



technical data:
hole distance 153mm

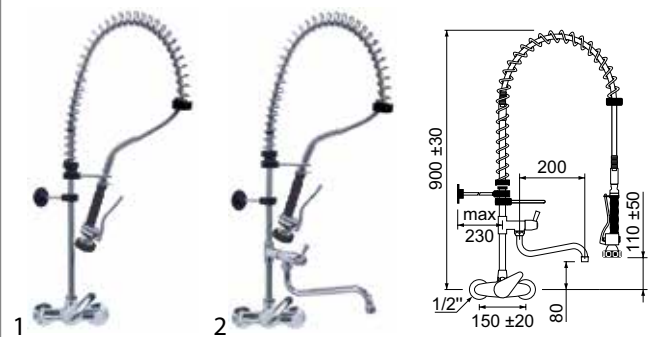
fig.	Part No.	cartridge	A (mm)	B (mm)	G
1	549798	ceramic cartridge ø 40mm	-	-	1/2"
1	549829	ceramic cartridge ø 40mm	-	-	3/4"
2	549796	ceramic cartridge ø 40mm	200	180	1/2"
2	549799	ceramic cartridge ø 40mm	200	180	3/4"
2	549492	ceramic cartridge ø 40mm	250	210	1/2"
2	549807	ceramic cartridge ø 40mm	250	210	3/4"
2	549797	ceramic cartridge ø 40mm	300	260	1/2"
2	549818	ceramic cartridge ø 40mm	300	260	3/4"



technical data:
hole distance 150mm

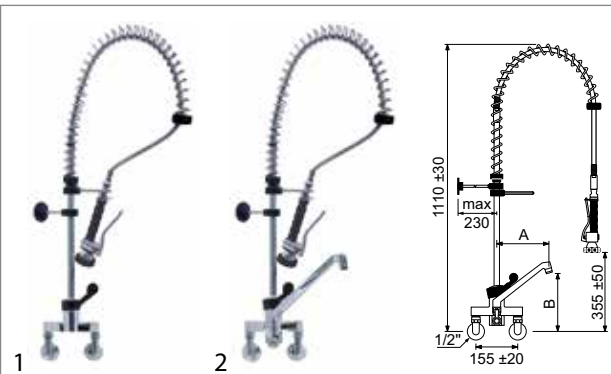
fig.	Part No.	cartridge	connection
1	548840	ceramic cartridge ø 40mm	1/2"
2	548841	ceramic cartridge ø 40mm	1/2"

with single lever wall-mounted water tap



technical data:
hole distance 150±20mm

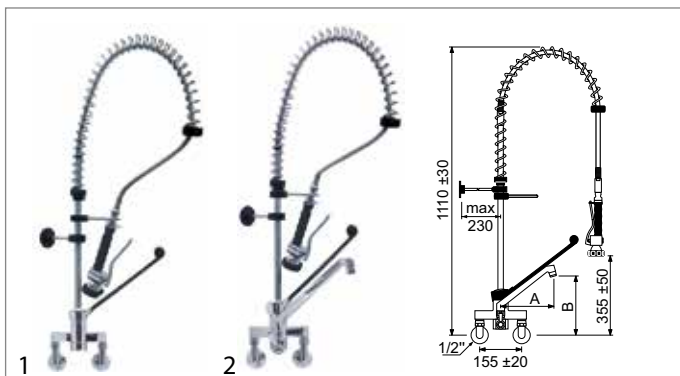
fig.	Part No.	cartridge	connection
1	548838	ceramic cartridge ø 40mm	1/2"
2	548839	ceramic cartridge ø 40mm	1/2"



technical data:
hole distance 155±20mm

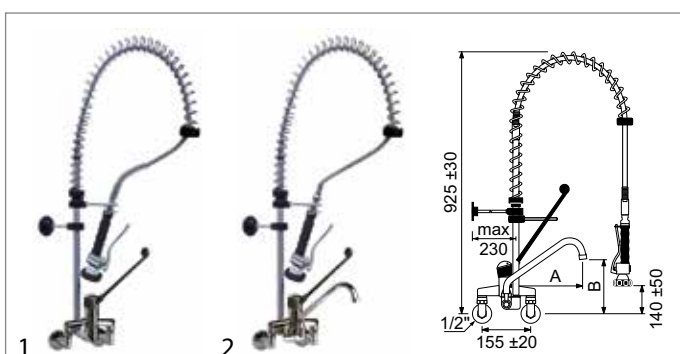
fig.	Part No.	cartridge	A (mm)	B (mm)	connection
1	548935	ceramic cartridge ø 47mm	-	-	1/2"
2	548937	ceramic cartridge ø 47mm	200	200	1/2"
2	548938	ceramic cartridge ø 47mm	250	240	1/2"

pre-rinse units



technical data:
hole distance 155±20mm

fig.	Part No.	cartridge	A (mm)	B (mm)	connection
1	548936	ceramic cartridge ø 47mm	-	-	1/2"
2	548939	ceramic cartridge ø 47mm	200	215	1/2"
2	548940	ceramic cartridge ø 47mm	250	260	1/2"



technical data:
hole distance 155±20mm

fig.	Part No.	cartridge	A (mm)	B (mm)	connection
1	549886	ceramic cartridge ø 40mm	-	-	1/2"
2	549884	ceramic cartridge ø 40mm	200	150	1/2"
2	549387	ceramic cartridge ø 40mm	250	180	1/2"
2	549885	ceramic cartridge ø 40mm	300	225	1/2"

for pedal-operated water taps

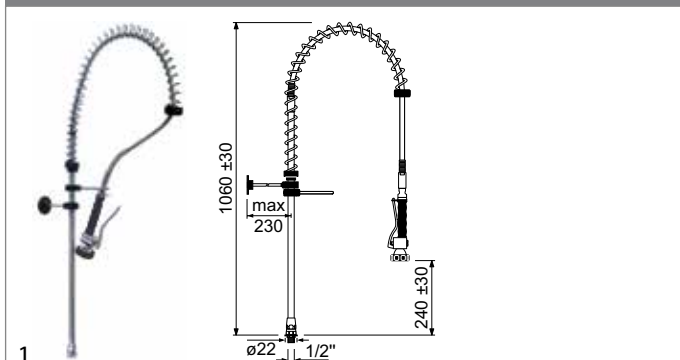


fig.	Part No.	version	connector
1	547453	with connecting adapter	1/2"

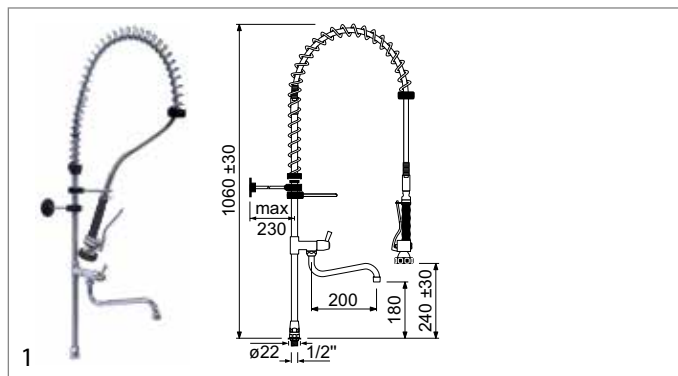


fig.	Part No.	version	connector
1	547369	with connecting adapter	1/2"

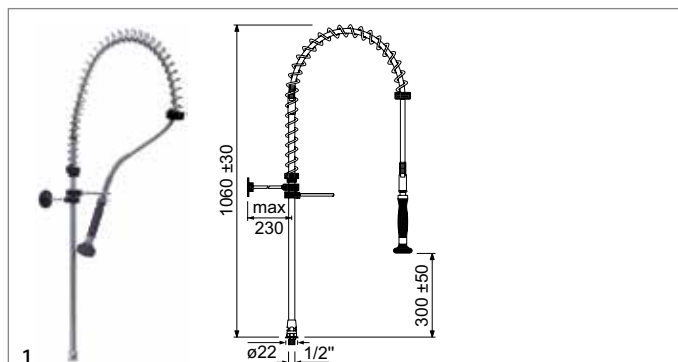


fig.	Part No.	version	connector
1	547687	with connecting adapter	1/2"

with thermostatic monobloc taps

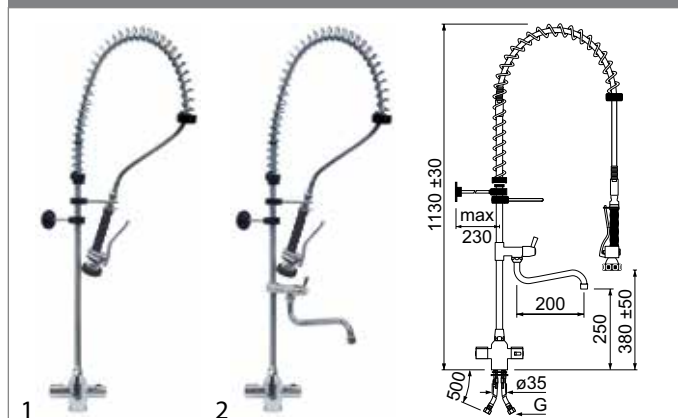
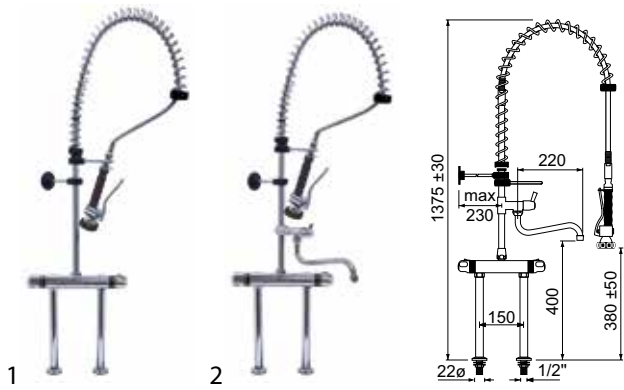


fig.	Part No.	description	G
1	547361	without swivel tap	3/8"
1	547362	without swivel tap	1/2"
2	547363	with swivel tap	3/8"
2	547364	with swivel tap	1/2"



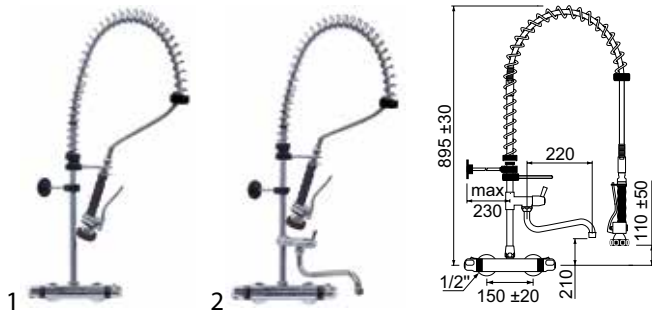
with two hole thermostatic mixer



technical data:
hole distance 150mm

fig.	Part No.	description	connection
1	547365	without swivel tap	1/2"
2	547366	with swivel tap	1/2"

with wall-mounted thermostatic taps



technical data:
hole distance 150±20mm

fig.	Part No.	description	connection
1	547367	without swivel tap	1/2"
2	547368	with swivel tap	1/2"

rinse assembly without taps

riser pipes short

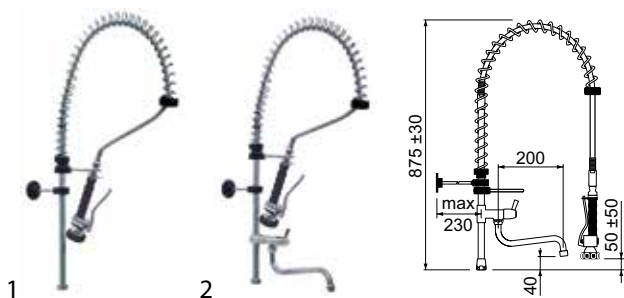


fig.	Part No.	description
1	547615	short without swivel tap
2	547614	short with swivel tap

riser pipes long

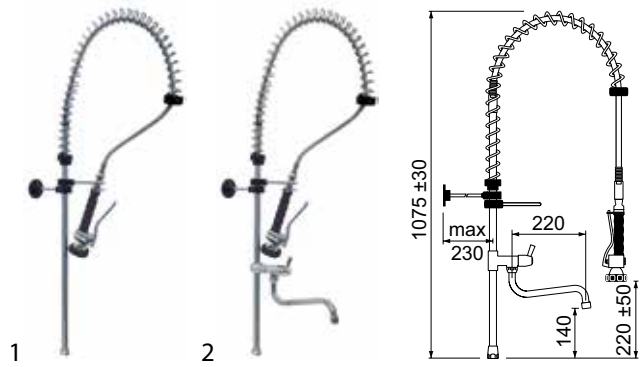


fig.	Part No.	description
1	547612	long without swivel tap
2	547611	long with swivel tap

pre-rinse units SHORT LINE

with monobloc tap

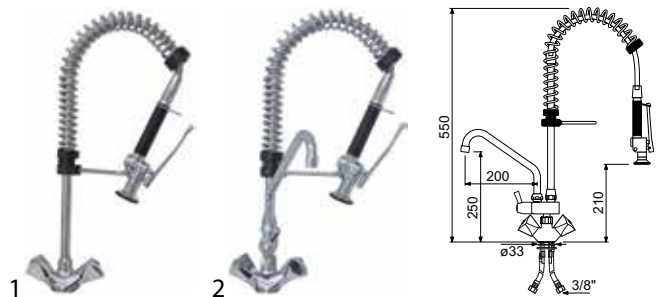


fig.	Part No.	upper part	overall height (mm)	spout length (mm)	spout height (mm)	connection
1	547889	tap head 1/2"	550	-	-	3/8"
2	547892	tap head 1/2"	550	200	250	3/8"

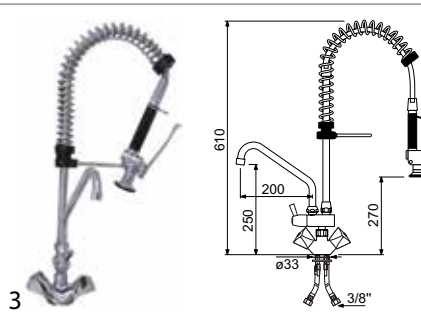


fig.	Part No.	upper part	overall height (mm)	spout length (mm)	spout height (mm)	connection
3	547891	tap head 1/2"	610	200	250	3/8"

pre-rinse units



with single lever monobloc tap

1

fig.	Part No.	cartridge	overall height (mm)	connection
1	547537	ceramic cartridge \varnothing 35mm	410	1/2"

2

fig.	Part No.	cartridge	overall height (mm)	connection
2	591004	ceramic cartridge \varnothing 35mm	440	3/8"

3

fig.	Part No.	cartridge	overall height (mm)	connection
3	591005	ceramic cartridge \varnothing 35mm	700	3/8"

1

technical data:
overall height 600mm

fig.	Part No.	cartridge	A (mm)	B (mm)	G
1	545080	ceramic cartridge \varnothing 40mm	200	160	3/8"
1	545081	ceramic cartridge \varnothing 40mm	250	190	3/8"
1	545082	ceramic cartridge \varnothing 40mm	300	230	3/8"
1	545083	ceramic cartridge \varnothing 40mm	200	160	1/2"
1	545084	ceramic cartridge \varnothing 40mm	250	190	1/2"
1	545085	ceramic cartridge \varnothing 40mm	300	230	1/2"

1

technical data:
overall height 700mm

fig.	Part No.	cartridge	A (mm)	B (mm)	G
1	545086	ceramic cartridge \varnothing 40mm	200	160	3/8"
1	545087	ceramic cartridge \varnothing 40mm	250	190	3/8"
1	545088	ceramic cartridge \varnothing 40mm	300	230	3/8"
1	545089	ceramic cartridge \varnothing 40mm	200	160	1/2"
1	545090	ceramic cartridge \varnothing 40mm	250	190	1/2"
1	545091	ceramic cartridge \varnothing 40mm	300	230	1/2"

spare parts and accessories

1 2

fig.	Part No.	description	connection
1	548192	spray gun	1/2" ET
2	549383	spray gun	1/2" ET

1

fig.	Part No.	description	connections	L (mm)
1	542063	shower hose	1/2"	630
1	542014	shower hose	1/2"	850
1	542015	shower hose	1/2"	1000
1	542016	shower hose	1/2"	1100
1	542017	shower hose	1/2"	1200





fig.	Part No.	description	TS	RA (°)	application
1	548416	tap head	1/2"	-	cold/hot water
2	547554 ¹	non-return valve tap head	1/2"	-	cold/hot water

¹until mid-2014




fig.	Part No.	description	TS	RA (°)	application
3	548414	ceramic tap head	1/2"	90	cold water
3	548425	ceramic tap head	1/2"	180	cold water
4	548415	ceramic tap head	1/2"	90	hot water
4	548424	ceramic tap head	1/2"	180	hot water



fig.	Part No.	description	version	application
1	547965	triangular handle	for tap heads 1/2" and 3/4"	cold/hot water
2	548210	lever handle	for tap heads 1/2"	cold/hot water
3	541387	lever handle	for tap heads 1/2"	cold/hot water




fig.	Part No.	description	D1 ø (mm)	H1 (mm)
1	541197	ceramic cartridge	35	27.4
2	540452	ceramic cartridge	40	30
3	540450	ceramic cartridge	40	43




fig.	Part No.	description	D1 ø (mm)	H1 (mm)
4	541403	ceramic cartridge	47	30.5




fig.	Part No.	description	handle length (mm)	intake	ø (mm)	for cartridge
1	540451	lever handle	58	10x10,6mm	53	ø40mm
2	548296	lever handle	70	10x10,6mm	60	ø47mm




fig.	Part No.	description	handle length (mm)	intake	ø (mm)	for cartridge
3	547787	lever handle	360	10x10,6mm	54	ø40mm
4	548282	lever handle	375	10x10,6mm	63	ø47mm




fig.	Part No.	description	projection (mm)	spout height (mm)	tube ø (mm)
1	545070	HU-spout	200	100	20
1	545071	HU-spout	250	130	20
1	545072	HU-spout	300	180	20
2	540196	HU-spout	200	120	-
2	540197	HU-spout	250	190	-




fig.	Part No.	description	projection (mm)	spout height (mm)	tube ø (mm)
3	547566	S spout	200	120	18
4	540192	HU-spout	250	160	18




fig.	Part No.	description	TS	version
1	548383	tap aerator	M22x1	with plastic insert
2	548384	tap aerator	M24x1	with plastic insert

fig.	Part No.	description	material	H (mm)
1	548288	spring	stainless steel	290
2	548290	spring	stainless steel	410
3	548351	spring	stainless steel	660

fig.	Part No.	description	connections	L (mm)
1	520466	flex hose	3/8" - M10x1	500
1	520465	flex hose	1/2" - M10x1	500

fig.	Part No.	description
1	542844	backflow preventer thread 1/2" L 17mm Qty 1 pcs
1	543252	backflow preventer thread 3/4" L 20mm Qty 1 pcs
2	543253	backflow preventer thread 1/2" L 17mm Qty 1 pcs
3	540368	backflow preventer thread 3/8" L 27mm Qty 1 pcs

miscellaneous

fig.	Part No.	description
1	548198	backflow preventer ø 19mm H 17mm for eccentrics Qty 1 pcs
2	515090	eccentrics connection 1/2" - 3/4" with rosette Qty 2 pcs
3	547702	holder kit length wall holder 49-230mm with hexagon key 2,5mm

fig.	Part No.	description
4	547704	hose protection
5	547983	swivel tap for pre-rinse units without outlet



PREMIUM PLUS

with pillar tap

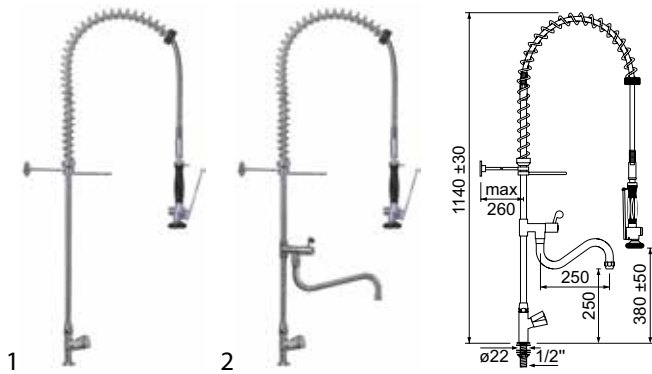


fig.	Part No.	upper part	handle type	connection
1	591022	tap head 3/4"	hood	1/2"
1	591053	ceramic tap head 3/4"	hood	1/2"
2	591014	tap head 3/4"	hood	1/2"
2	591054	ceramic tap head 3/4"	hood	1/2"

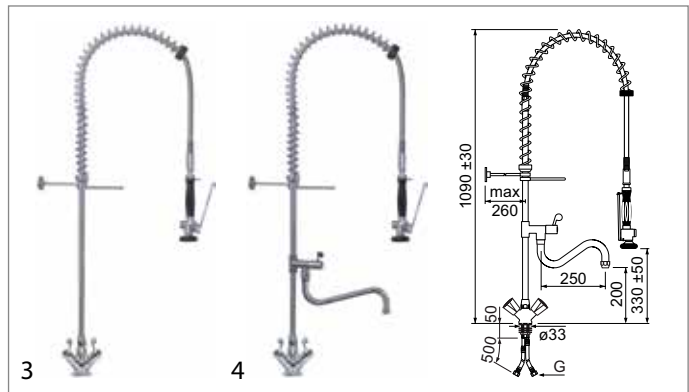


fig.	Part No.	upper part	handle type	G
3	591061	ceramic tap head 1/2"	lever	3/8"
3	591063	ceramic tap head 1/2"	lever	1/2"
4	591062	ceramic tap head 1/2"	lever	3/8"
4	591064	ceramic tap head 1/2"	lever	1/2"

pre-rinse units

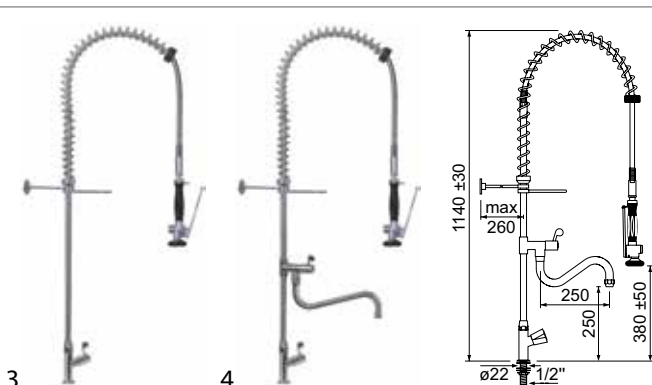


fig.	Part No.	upper part	handle type	connection
3	591055	ceramic tap head 3/4"	lever	1/2"
4	591056	ceramic tap head 3/4"	lever	1/2"

with bridge mixer tap

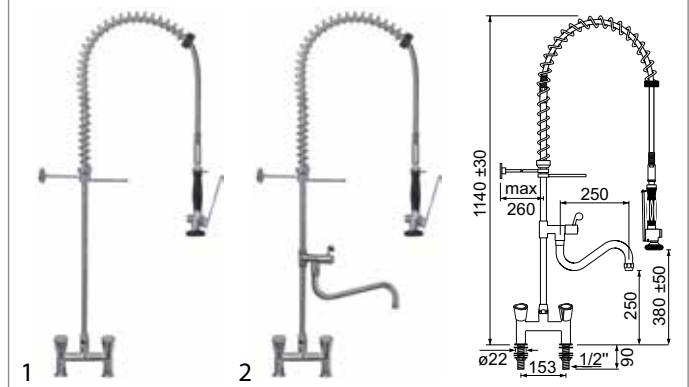


fig.	Part No.	upper part	handle type	HD (mm)	connection
1	591015	tap head 3/4"	hood	153	1/2"
1	591065	ceramic tap head 3/4"	hood	153	1/2"
2	591000	tap head 3/4"	hood	153	1/2"
2	591067	ceramic tap head 3/4"	hood	155	1/2"

with monobloc tap

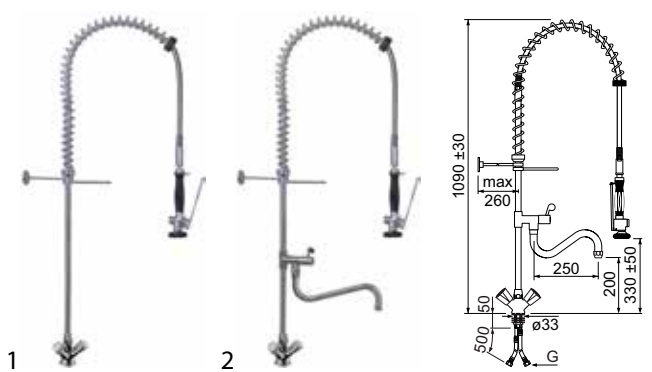


fig.	Part No.	upper part	handle type	G
1	591016	tap head 1/2"	hood	3/8"
1	591033	tap head 1/2"	hood	1/2"
1	591057	ceramic tap head 1/2"	hood	3/8"
1	591059	ceramic tap head 1/2"	hood	1/2"
2	591001	tap head 1/2"	hood	3/8"
2	591034	tap head 1/2"	hood	1/2"
2	591058	ceramic tap head 1/2"	hood	3/8"
2	591060	ceramic tap head 1/2"	hood	1/2"

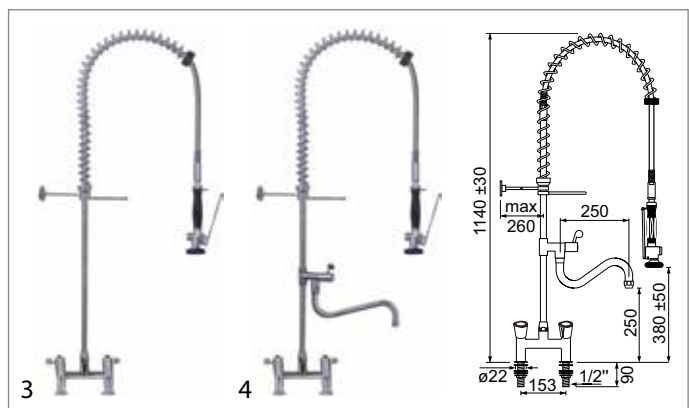
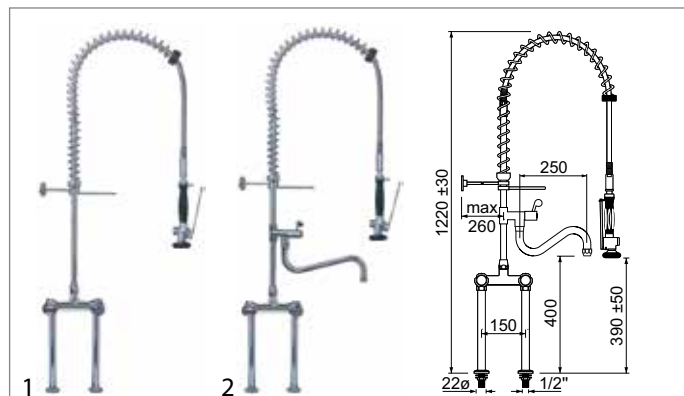


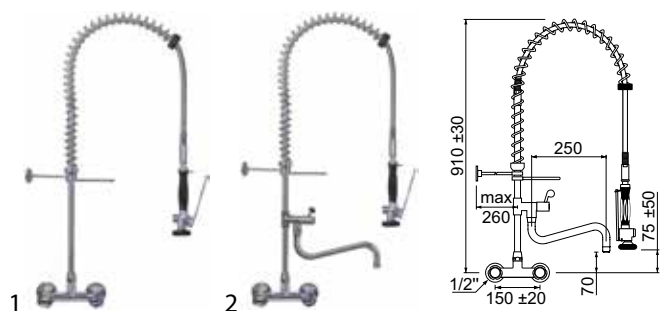
fig.	Part No.	upper part	handle type	HD (mm)	connection
3	591066	ceramic tap head 3/4"	lever	153	1/2"
4	591068	ceramic tap head 3/4"	lever	153	1/2"



technical data:
hole distance 150mm

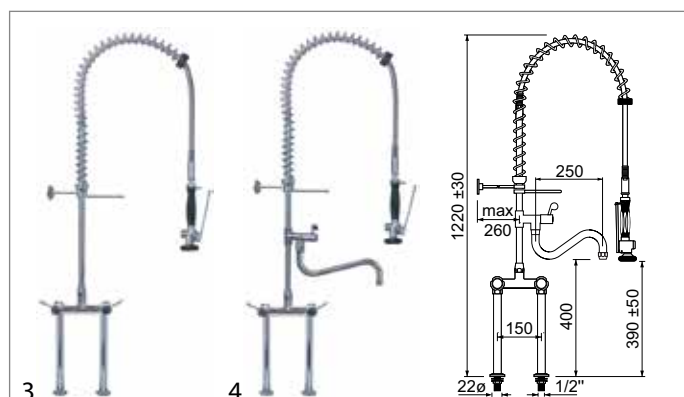
fig.	Part No.	upper part	handle type	connection
1	591035	tap head 3/4"	hood	1/2"
1	591069	ceramic tap head 3/4"	hood	1/2"
2	591036	tap head 1/2"	hood	1/2"
2	591071	ceramic tap head 3/4"	hood	1/2"

with wall-mounted water tap



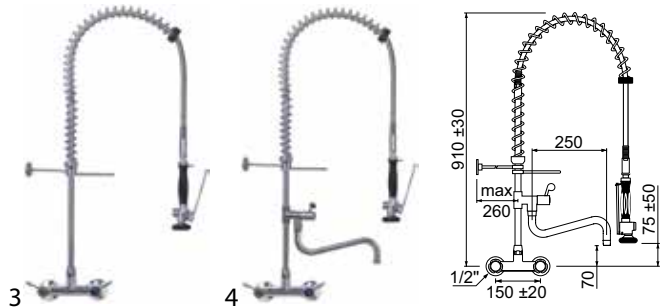
technical data:
hole distance 150±20mm

fig.	Part No.	upper part	handle type	connection
1	591018	tap head 3/4"	hood	1/2"
1	591075	ceramic tap head 3/4"	hood	1/2"
2	591003	tap head 3/4"	hood	1/2"
2	591077	ceramic tap head 3/4"	hood	1/2"



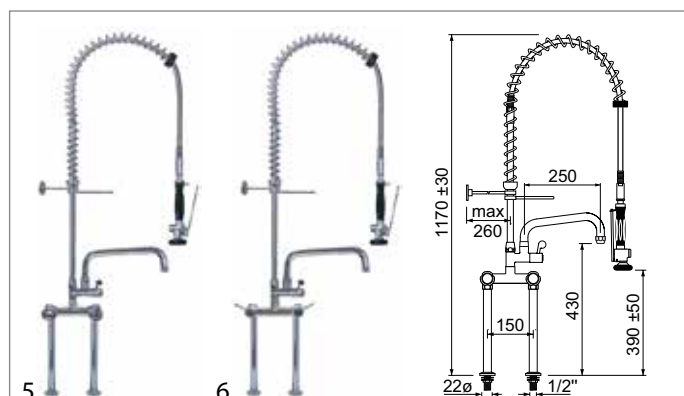
technical data:
hole distance 150mm

fig.	Part No.	upper part	handle type	connection
3	591070	ceramic tap head 3/4"	lever	1/2"
4	591072	ceramic tap head 3/4"	lever	1/2"



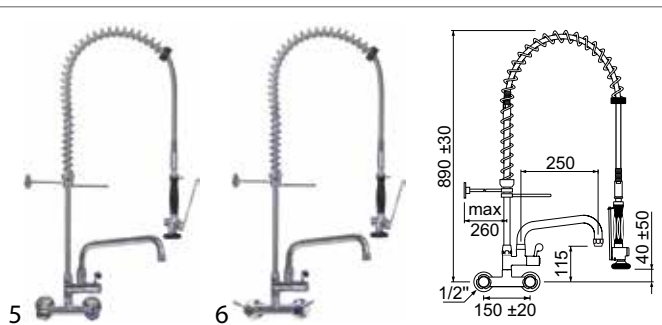
technical data:
hole distance 150±20mm

fig.	Part No.	upper part	handle type	connection
3	591076	ceramic tap head 3/4"	lever	1/2"
4	591078	ceramic tap head 3/4"	lever	1/2"



technical data:
hole distance 150mm

fig.	Part No.	upper part	handle type	connection
5	591037	tap head 3/4"	hood	1/2"
5	591073	ceramic tap head 3/4"	hood	1/2"
6	591074	ceramic tap head 3/4"	lever	1/2"



technical data:
hole distance 150±20mm

fig.	Part No.	upper part	handle type	connection
5	591038	tap head 3/4"	hood	1/2"
5	591079	ceramic tap head 3/4"	hood	1/2"
6	591080	ceramic tap head 3/4"	lever	1/2"



with single lever monobloc tap

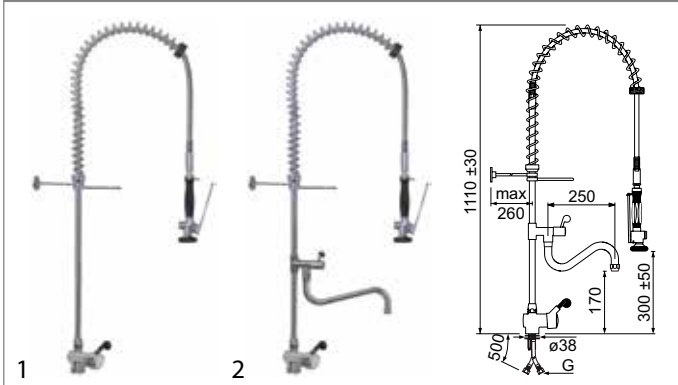
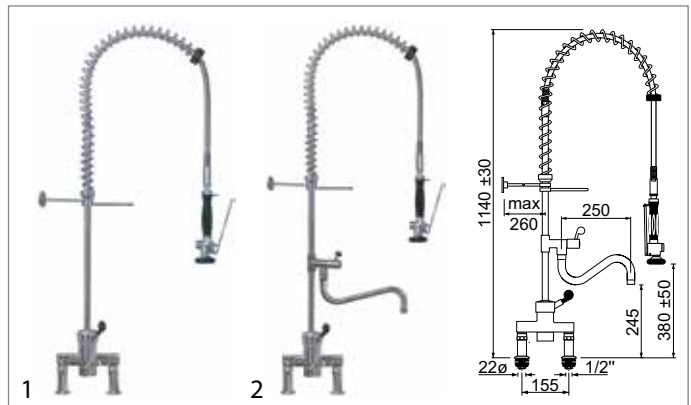


fig.	Part No.	cartridge	G
1	591017	ceramic cartridge ø 40mm	3/8"
1	591039	ceramic cartridge ø 40mm	1/2"
2	591002	ceramic cartridge ø 40mm	3/8"
2	591040	ceramic cartridge ø 40mm	1/2"



technical data:
hole distance 155mm

fig.	Part No.	cartridge	connection
1	591024	ceramic cartridge ø 47mm	1/2"
2	591023	ceramic cartridge ø 47mm	1/2"

pre-rinse units

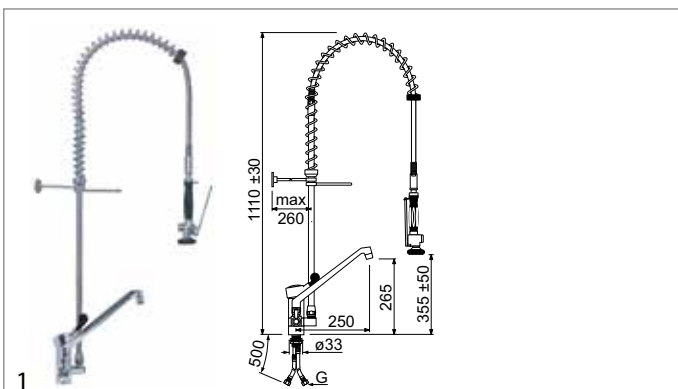
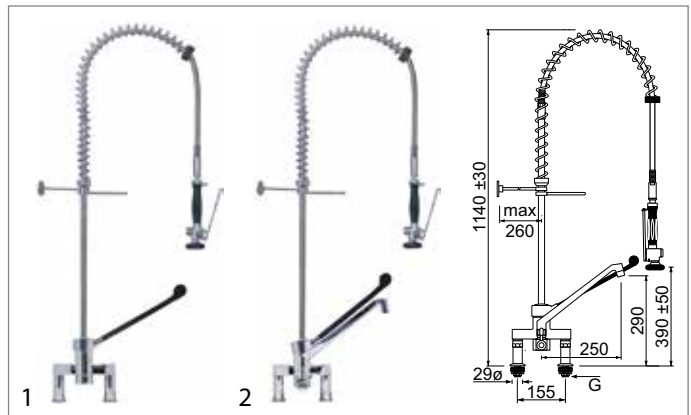


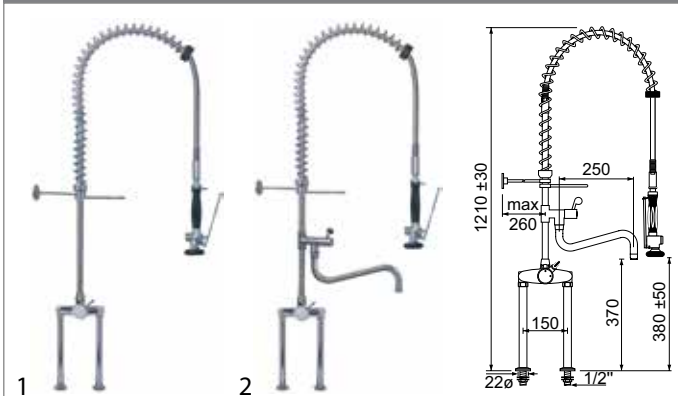
fig.	Part No.	cartridge	G
1	547341	ceramic cartridge ø 47mm	3/8"
1	547342	ceramic cartridge ø 47mm	1/2"



technical data:
hole distance 155mm

fig.	Part No.	cartridge	spout length (mm)	spout height (mm)	connection
1	547345	ceramic cartridge ø 47mm	-	-	1/2"
1	547346	ceramic cartridge ø 47mm	-	-	3/4"
2	547349	ceramic cartridge ø 47mm	250	290	1/2"
2	547354	ceramic cartridge ø 47mm	250	290	3/4"

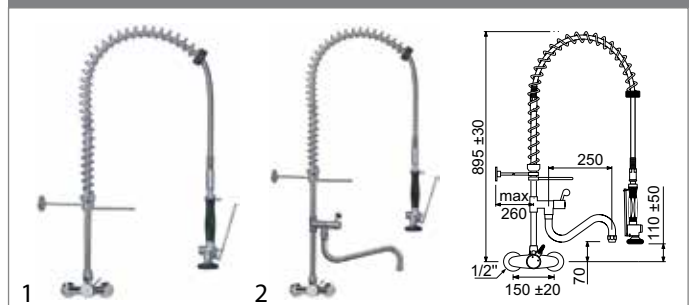
with single lever bridge mixer tap



technical data:
hole distance 150mm

fig.	Part No.	cartridge	connection
1	547213	ceramic cartridge ø 40mm	1/2"
2	547214	ceramic cartridge ø 40mm	1/2"

with single lever wall-mounted water tap



technical data:
hole distance 150±20mm

fig.	Part No.	cartridge	connection
1	591026	ceramic cartridge ø 40mm	1/2"
2	591025	ceramic cartridge ø 40mm	1/2"



technical data:
hole distance 155±20mm

fig.	Part No.	cartridge	A (mm)	B (mm)	connection
1	547355	ceramic cartridge ø 47mm	-	-	1/2"
2	547357	ceramic cartridge ø 47mm	200	210	1/2"
2	547358	ceramic cartridge ø 47mm	250	260	1/2"

fig.	Part No.	version	connector
1	547325	with connecting adapter	1/2"

technical data:
hole distance 155±20mm

fig.	Part No.	cartridge	A (mm)	B (mm)	connection
1	547356	ceramic cartridge ø 47mm	-	-	1/2"
2	547359	ceramic cartridge ø 47mm	200	210	1/2"
2	547360	ceramic cartridge ø 47mm	250	260	1/2"

fig.	Part No.	version	connector
1	547728	with connecting adapter	1/2"

with thermostatic monobloc taps

fig.	Part No.	description	G
1	547327	without swivel tap	3/8"
1	547328	without swivel tap	1/2"
2	547329	with swivel tap	3/8"
2	547337	with swivel tap	1/2"

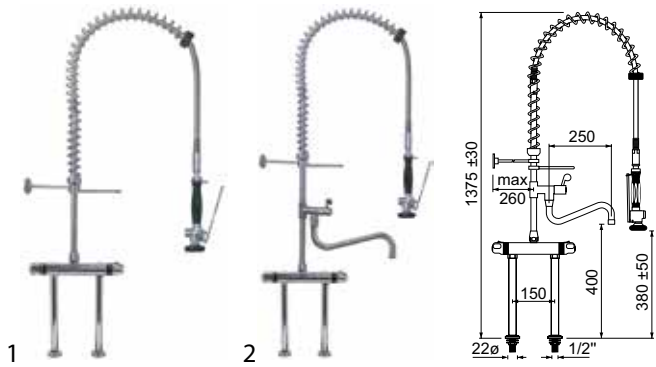
for pedal-operated water taps

fig.	Part No.	version	connector
1	547324	with connecting adapter	1/2"

2 pre-rinse units



with two hole thermostatic mixer



technical data:
hole distance 150mm

fig.	Part No.	description	connection
1	547339	without swivel tap	1/2"
2	547340	with swivel tap	1/2"

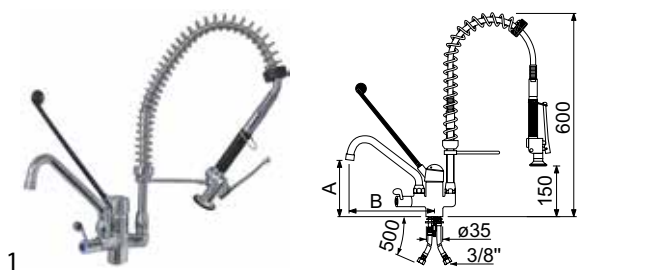
with wall-mounted thermostatic taps



technical data:
hole distance 150±20mm

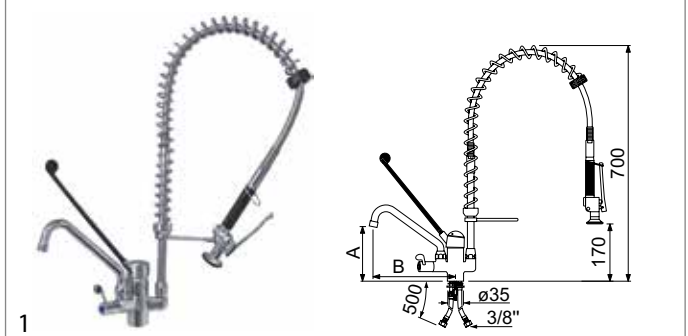
fig.	Part No.	description	connection
1	547326	without swivel tap	1/2"
2	547338	with swivel tap	1/2"

pre-rinse units SHORT LINE



technical data:
overall height 600mm

fig.	Part No.	cartridge	A (mm)	B (mm)	connection
1	591027	ceramic cartridge ∅ 40mm	250	190	3/8"
1	591028	ceramic cartridge ∅ 40mm	300	200	3/8"



technical data:
overall height 700mm

fig.	Part No.	cartridge	A (mm)	B (mm)	connection
1	591029	ceramic cartridge ∅ 40mm	250	190	3/8"
1	591030	ceramic cartridge ∅ 40mm	300	200	3/8"

spare parts and accessories



fig.	Part No.	description	connection
1	542998	spray gun	1/2" ET
2	549383	spray gun	1/2" ET




fig.	Part No.	description	connections	L (mm)
1	592222 ¹	shower hose	1/2"	630
1	540292 ¹	shower hose	1/2"	875
1	540066 ¹	shower hose	1/2"	1000
1	541812 ¹	shower hose	1/2"	1075
1	540070 ¹	shower hose	1/2"	1250

¹brass bush



fig.	Part No.	description	TS	RA (°)	application
1	548416	tap head	1/2"	-	cold/hot water
1	548437	tap head	3/4"	-	cold/hot water
2	548414	ceramic tap head	1/2"	90	cold water
2	548425	ceramic tap head	1/2"	180	cold water
2	548434	ceramic tap head	3/4"	90	cold water
2	548436	ceramic tap head	3/4"	180	cold water

Table continues overleaf


3

fig.	Part No.	description	TS	RA (°)	application
3	548415	ceramic tap head	1/2"	90	hot water
3	548424	ceramic tap head	1/2"	180	hot water
3	548433	ceramic tap head	3/4"	90	hot water
3	548435	ceramic tap head	3/4"	180	hot water



1 2 3 4

fig.	Part No.	description	version	application
1	592180	hood handle	for tap heads 1/2" and 3/4"	cold water
2	592181	hood handle	for tap heads 1/2" and 3/4"	hot water
3	547965	triangular handle	for tap heads 1/2" and 3/4"	cold/hot water
4	548334	lever handle	for tap heads 1/2"	cold/hot water
4	548348	lever handle	for tap heads 3/4"	cold/hot water



1 2 3

fig.	Part No.	description	D1 ø (mm)	H1 (mm)
1	540452	ceramic cartridge	40	30
2	540450	ceramic cartridge	40	43
3	541403	ceramic cartridge	47	30.5




1 2

fig.	Part No.	description	handle length (mm)	ø (mm)	intake	for cartridge
1	547071	lever handle	71	54	10x10,6mm	ø40mm
2	548047	lever handle	71	64	10x10,6mm	ø47mm




3 4

fig.	Part No.	description	handle length (mm)	ø (mm)	intake	for cartridge
3	546047	lever handle	350	54	10x10,6mm	ø40mm
4	548282	lever handle	375	63	10x10,6mm	ø47mm




1 2

fig.	Part No.	description	tube ø (mm)	projection (mm)	spout height (mm)
1	548369	S spout	20	220	80
2	592217	S spout	24	250	115



3 4

fig.	Part No.	description	tube ø (mm)	projection (mm)	spout height (mm)
3	592219	S spout	24	250	115
4	592218	U spout	24	250	20



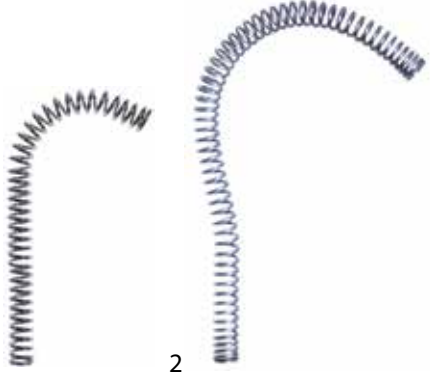
5 6

fig.	Part No.	description	tube ø (mm)	projection (mm)	spout height (mm)
5	548375	U spout	25	250	104
6	545071	HU-spout	20	250	130
6	545072	HU-spout	20	300	180



1 2

fig.	Part No.	description	TS	version
1	548383	tap aerator	M22x1	with plastic insert
2	548384	tap aerator	M24x1	with plastic insert



1 2

fig.	Part No.	description	material	H (mm)
1	548290	spring	stainless steel	410
2	548351	spring	stainless steel	660



fig.	Part No.	description	connections	L (mm)
1	520466	flex hose	3/8" - M10x1	500
1	520465	flex hose	1/2" - M10x1	500



fig.	Part No.	description	connections	L (mm)
2	592154	flex hose	1/2" - M14x1	500
2	592155	flex hose	1/2" - M14x1	600
2	592156	flex hose	1/2" - M14x1	800
2	520392	flex hose	3/4" - 3/8"	700
2	520393	flex hose	3/4" - 3/8"	1000



fig.	Part No.	description
1	540368	backflow preventer thread 3/8" L 27mm Qty 1 pcs
2	543253	backflow preventer thread 1/2" L 17mm Qty 1 pcs
3	542844	backflow preventer thread 1/2" L 17mm Qty 1 pcs
3	543252	backflow preventer thread 3/4" L 20mm Qty 1 pcs
4	547984	backflow preventer ø 20mm H 20mm Qty 1 pcs



fig.	Part No.	description
1	548355	bracket for spray gun ø 20,5mm
2	548354	spring holder ø 20,5mm for stand pipe
3	548356	wall holder L 250mm for standpipe ø20.5mm

miscellaneous



fig.	Part No.	description
1	548198	backflow preventer ø 19mm H 17mm for eccentrics Qty 1 pcs
2	515090	eccentrics connection 1/2" - 3/4" with rosette Qty 2 pcs
2	515019	eccentrics connection 3/4" - 3/4" with rosette Qty 2 pcs
3	547704	hose protection



PREMIUM PLUS AUTOMATIC

with pillar tap

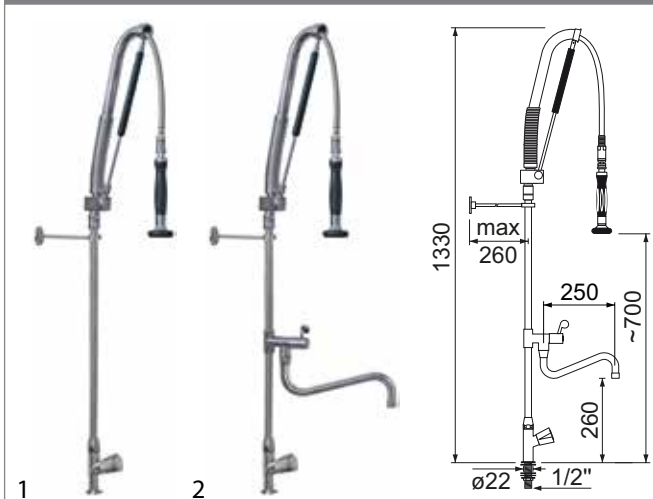


fig.	Part No.	upper part	connection
1	591041	tap head 3/4"	1/2"
2	591042	tap head 3/4"	1/2"

with monobloc tap

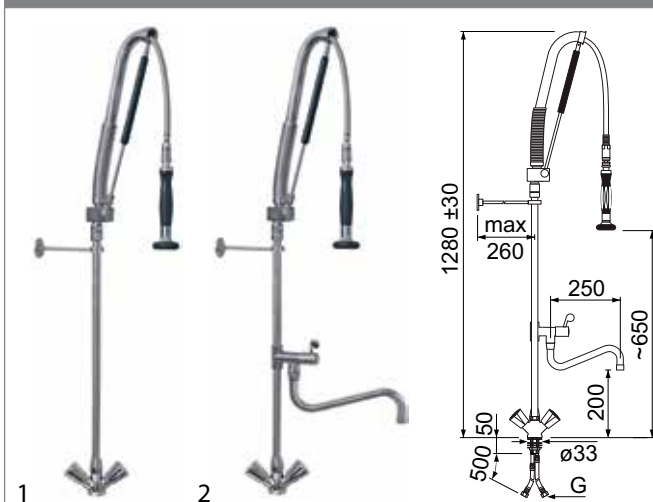
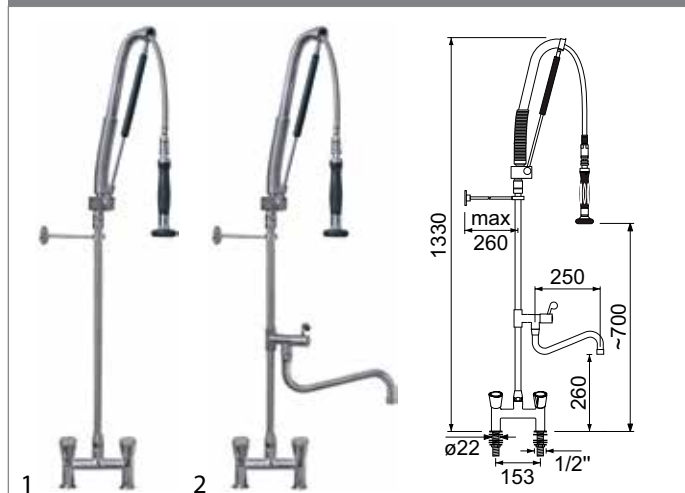


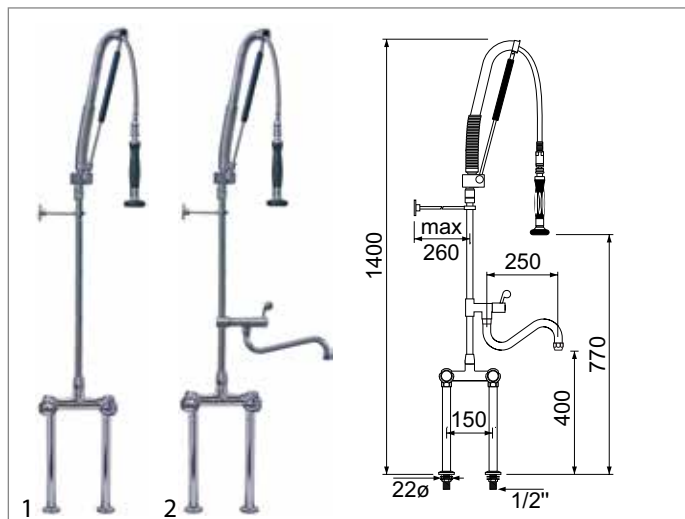
fig.	Part No.	upper part	G
1	591019	tap head 1/2"	3/8"
1	591044	tap head 1/2"	1/2"
2	591011	tap head 1/2"	3/8"
2	591043	tap head 1/2"	1/2"

with bridge mixer tap



technical data:
hole distance 153mm

fig.	Part No.	upper part	connection
1	591020	tap head 3/4"	1/2"
2	591012	tap head 3/4"	1/2"



technical data:
hole distance 150mm

fig.	Part No.	upper part	connection
1	591050	tap head 3/4"	1/2"
2	591048	tap head 3/4"	1/2"



pre-rinse units

technical data:
hole distance 150mm

fig.	Part No.	upper part	connection
3	591049	tap head 3/4"	1/2"

with single lever monobloc tap

fig.	Part No.	cartridge	G
1	591021	ceramic cartridge ø 40mm	3/8"
1	591051	ceramic cartridge ø 40mm	1/2"
2	591052	ceramic cartridge ø 40mm	1/2"
2	591013	ceramic cartridge ø 40mm	3/8"

with wall-mounted water tap

technical data:
hole distance 150±20mm

fig.	Part No.	upper part	connection
1	591045	tap head 3/4"	1/2"
2	591046	tap head 3/4"	1/2"

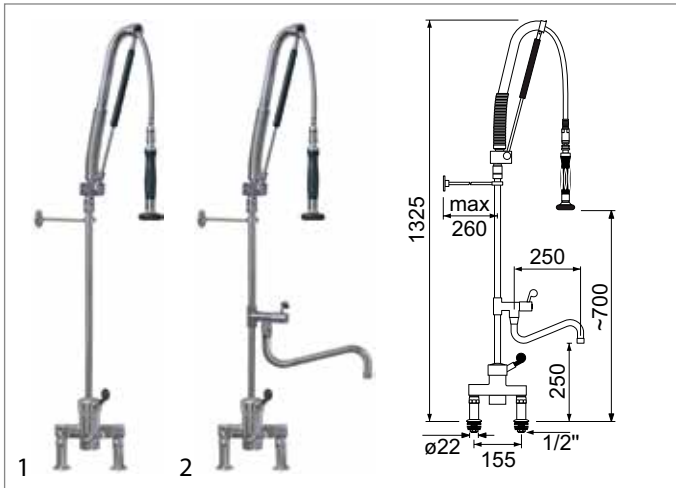
with single lever bridge mixer tap

technical data:
hole distance 150mm

fig.	Part No.	cartridge	connection
1	545684	ceramic cartridge ø 40mm	1/2"
2	545685	ceramic cartridge ø 40mm	1/2"

technical data:
hole distance 150±20mm

fig.	Part No.	upper part	connection
3	591047	tap head 3/4"	1/2"



technical data:
hole distance 155mm

fig.	Part No.	cartridge	connection
1	591032	ceramic cartridge \varnothing 47mm	1/2"
2	591031	ceramic cartridge \varnothing 47mm	1/2"

with thermostatic monobloc taps

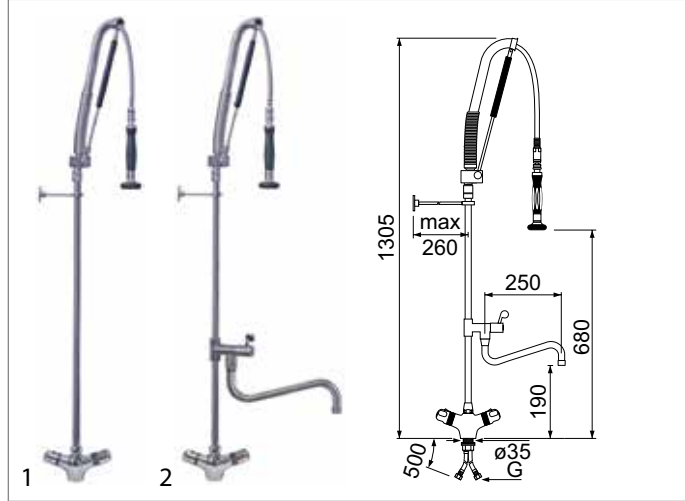
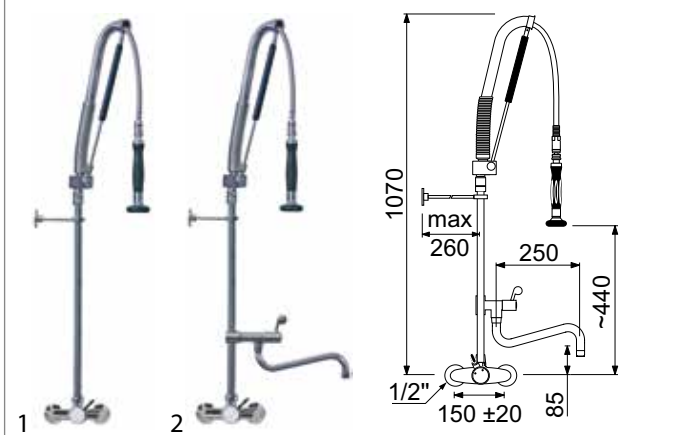


fig.	Part No.	description	connection
1	545692	without swivel tap	3/8"
1	545609	without swivel tap	1/2"
2	545693	with swivel tap	3/8"
2	545610	with swivel tap	1/2"

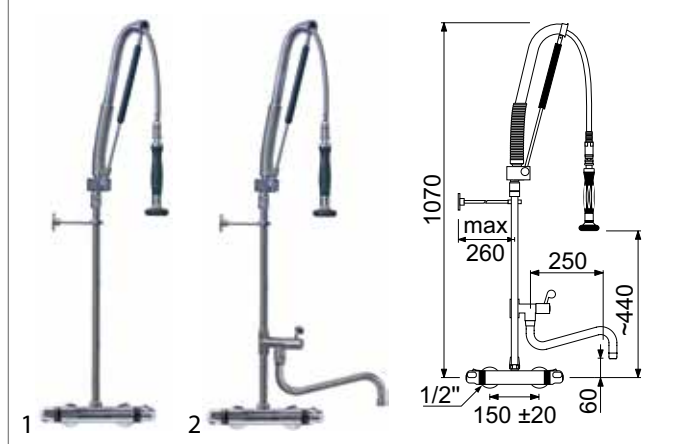
with single lever wall-mounted water tap



technical data:
hole distance 150±20mm

fig.	Part No.	cartridge	connection
1	545686	ceramic cartridge \varnothing 40mm	1/2"
2	545687	ceramic cartridge \varnothing 40mm	1/2"

with wall-mounted thermostatic taps



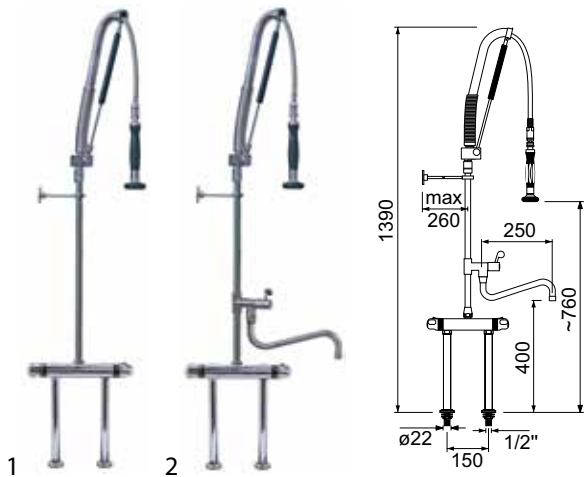
technical data:
hole distance 150±20mm

fig.	Part No.	description	connection
1	545690	without swivel tap	1/2"
2	545691	with swivel tap	1/2"

pre-rinse units



with two hole thermostatic mixer



technical data:
hole distance 150mm

fig.	Part No.	description	connection
1	545688	without swivel tap	1/2"
2	545689	with swivel tap	1/2"

spare parts and accessories

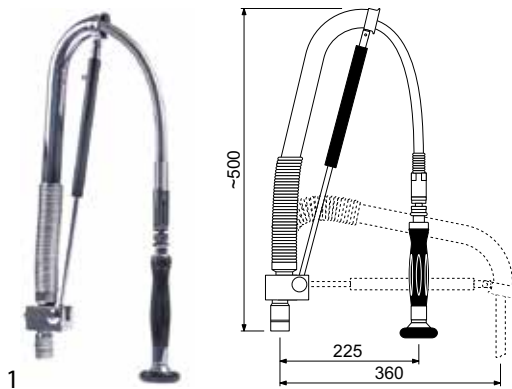


fig.	Part No.	description
1	545608	pre-rinse unit attachment for PREMIUM PLUS AUTOMATIC



fig.	Part No.	description
1	545046	gas tension spring AUTOMATIC LINE L 410mm ø 19mm



fig.	Part No.	description
2	549293	spring for pre-rinse unit type automatic chrome-plated brass



fig.	Part No.	description	connection
1	548011	spray gun	1/2" ET



fig.	Part No.	description	connections	L (mm)
1	540292 ¹	shower hose	1/2"	875

¹brass bush



fig.	Part No.	description	TS	RA (°)	application
1	548416	tap head	1/2"	-	cold/hot water
1	548437	tap head	3/4"	-	cold/hot water
2	548414	ceramic tap head	1/2"	90	cold water
2	548425	ceramic tap head	1/2"	180	cold water
2	548434	ceramic tap head	3/4"	90	cold water
2	548436	ceramic tap head	3/4"	180	cold water
3	548415	ceramic tap head	1/2"	90	hot water
3	548424	ceramic tap head	1/2"	180	hot water
3	548433	ceramic tap head	3/4"	90	hot water
3	548435	ceramic tap head	3/4"	180	hot water



fig.	Part No.	description	version	application
1	592180	hood handle	for tap heads 1/2" and 3/4"	cold water
2	592181	hood handle	for tap heads 1/2" and 3/4"	hot water
3	547965	triangular handle	for tap heads 1/2" and 3/4"	cold/hot water
4	548334	lever handle	for tap heads 1/2"	cold/hot water
4	548348	lever handle	for tap heads 3/4"	cold/hot water





fig.	Part No.	description	D1 ø (mm)	H1 (mm)
1	540452	ceramic cartridge	40	30
2	540450	ceramic cartridge	40	43
3	541403	ceramic cartridge	47	30.5



fig.	Part No.	description	handle length (mm)	ø (mm)	intake	for cartridge
1	547071	lever handle	71	54	10x10,6mm	ø40mm
2	548047	lever handle	71	64	10x10,6mm	ø47mm




fig.	Part No.	description	tube ø (mm)	projection (mm)	spout height (mm)
1	548369	S spout	20	220	80
2	592219	S spout	24	250	115



fig.	Part No.	description	tube ø (mm)	projection (mm)	spout height (mm)
3	548375	U spout	25	250	104




fig.	Part No.	description	connections	L (mm)
1	520466	flex hose	3/8" - M10x1	500
1	520465	flex hose	1/2" - M10x1	500




fig.	Part No.	description
1	542844	backflow preventer thread 1/2" L 17mm Qty 1 pcs
2	543253	backflow preventer thread 1/2" L 17mm Qty 1 pcs
3	540368	backflow preventer thread 3/8" L 27mm Qty 1 pcs




fig.	Part No.	description
1	548353	swivel joint IT 1/2" ET 1/2" brass
2	549291	valve for pre-rinse units type automatic chrome-plated brass
3	548356	wall holder L 250mm for standpipe ø20.5mm



PREMIUM ABSOLUTE

rinse assembly without taps

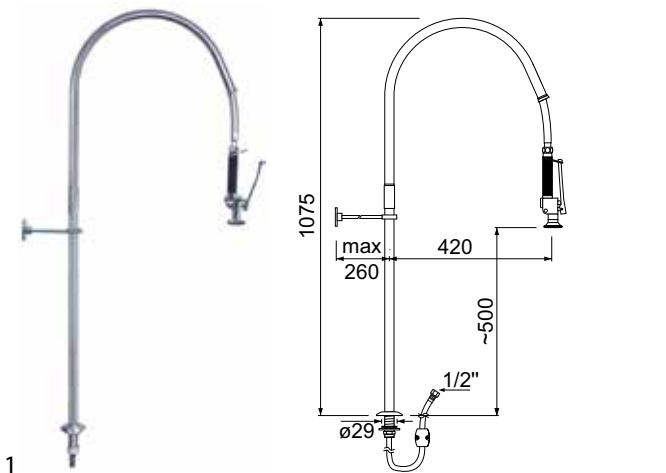


fig.	Part No.	version	connection
1	549290	with extendable rinsing hose	1/2"

with monobloc tap

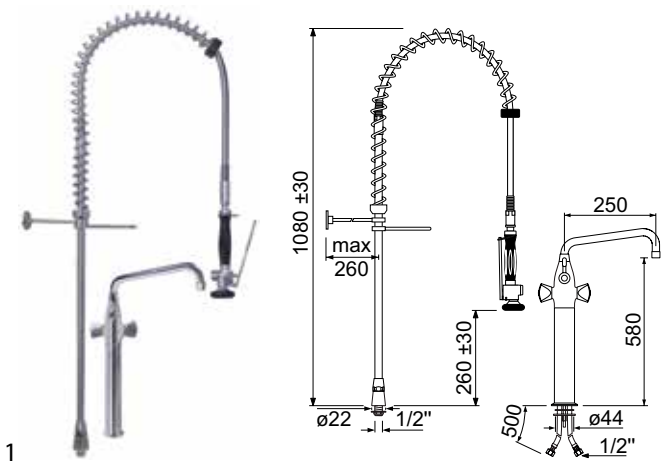


fig.	Part No.	version	upper part	connection
1	545502	with monobloc tap	tap head 1/2"	1/2"

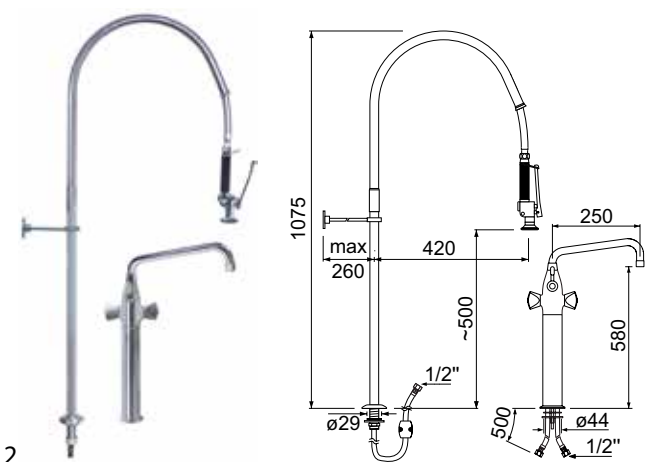


fig.	Part No.	version	upper part	connection
2	545526	with monobloc tap	tap head 1/2"	1/2"

monobloc taps

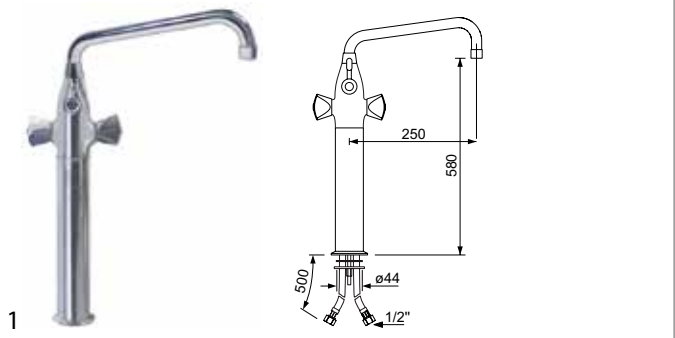


fig.	Part No.	upper part	A (mm)	B (mm)
1	545529	tap head 1/2"	250	580



fig.	Part No.	description	connection
1	542998	spray gun	1/2" ET
2	549383	spray gun	1/2" ET



fig.	Part No.	description	connections	L (mm)
1	540066 ¹	shower hose	1/2"	1000

¹brass bush



fig.	Part No.	description	connections	L (mm)
2	549280	shower hose	1/2"	3000




fig.	Part No.	description	TS	RA (°)	application
1	548416	tap head	1/2"	-	cold/hot water
2	548415	ceramic tap head	1/2"	90	hot water
3	547965	triangular handle	-	-	cold/hot water





1

fig.	Part No.	description	tube ø (mm)	projection (mm)	spout height (mm)
1	548375	U spout	25	250	104




1

fig.	Part No.	description	material	H (mm)
1	548351	spring	stainless steel	660




1

fig.	Part No.	description	connections	L (mm)
1	520102	flex hose	1/2" - M10x1	500




2

fig.	Part No.	description	connections	L (mm)
2	520472	flex hose	1/2" - M10x1	800



1

fig.	Part No.	description
1	543253	backflow preventer thread 1/2" L 17mm Qty 1 pcs



1 2

fig.	Part No.	description
1	548355	bracket for spray gun ø 20,5mm
2	548356	wall holder L 250mm for standpipe ø20.5mm
2	545527	wall holder L 250mm for standpipe ø25mm



1 2 3

fig.	Part No.	description
1	547704	hose protection
2	548493	hose weight for spraying hose
3	548354	spring holder ø 20,5mm for stand pipe



INOX

with monobloc tap

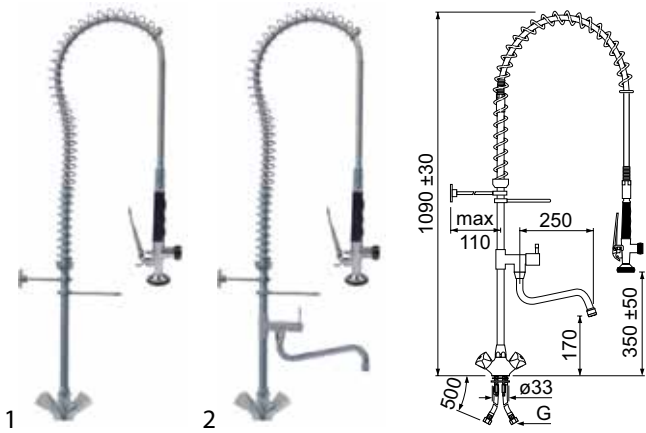
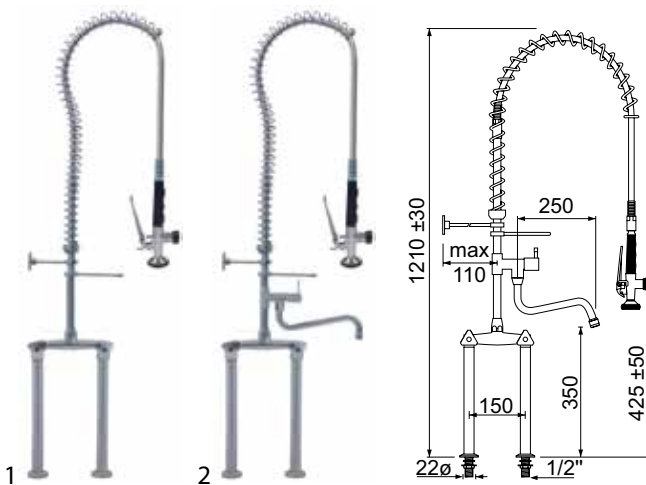


fig.	Part No.	upper part	G
1	546021	tap head 1/2"	3/8"
1	546022	tap head 1/2"	1/2"
1	549783	ceramic tap head 1/2"	3/8"
1	549784	ceramic tap head 1/2"	1/2"
2	546019	tap head 1/2"	3/8"
2	546020	tap head 1/2"	1/2"
2	549781	ceramic tap head 1/2"	3/8"
2	549782	ceramic tap head 1/2"	1/2"

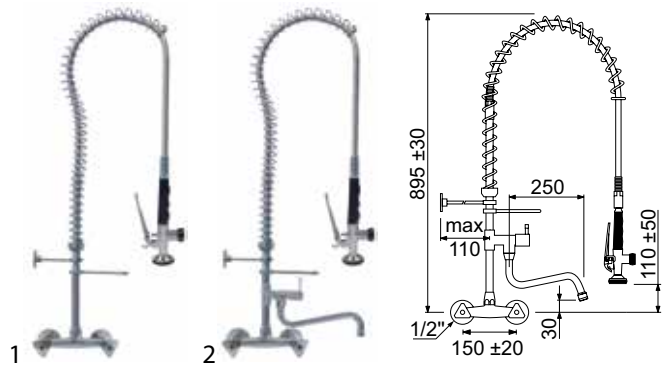
with bridge mixer tap



technical data:
hole distance 150mm

fig.	Part No.	upper part	connection
1	546026	tap head 1/2"	1/2"
1	549791	ceramic tap head 1/2"	1/2"
2	546025	tap head 1/2"	1/2"
2	549790	ceramic tap head 1/2"	1/2"

with wall-mounted water tap



technical data:
hole distance 150±20mm

fig.	Part No.	upper part	connection
1	546018	tap head 1/2"	1/2"
1	549779	ceramic tap head 1/2"	1/2"
2	546017	tap head 1/2"	1/2"
2	549787	ceramic tap head 1/2"	1/2"

with single lever monobloc tap

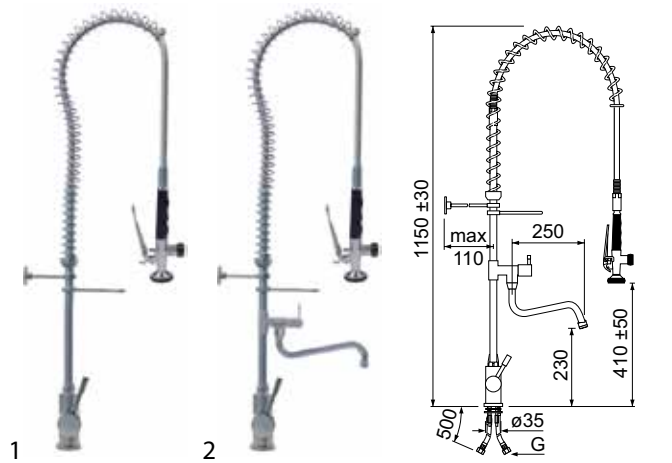


fig.	Part No.	cartridge	G
1	549785	ceramic cartridge ø 35mm	3/8"
1	549786	ceramic cartridge ø 35mm	1/2"
2	549778	ceramic cartridge ø 35mm	3/8"
2	549780	ceramic cartridge ø 35mm	1/2"

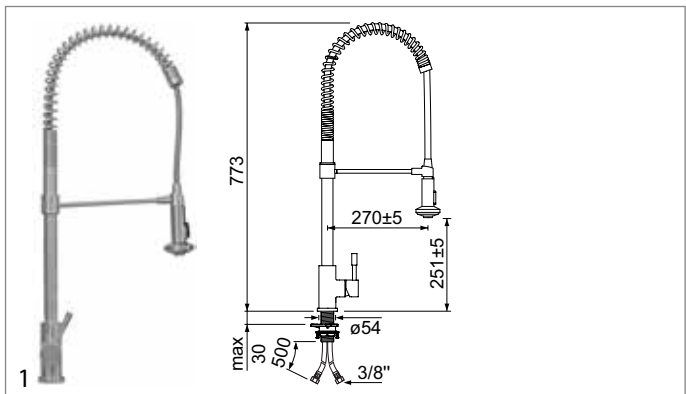
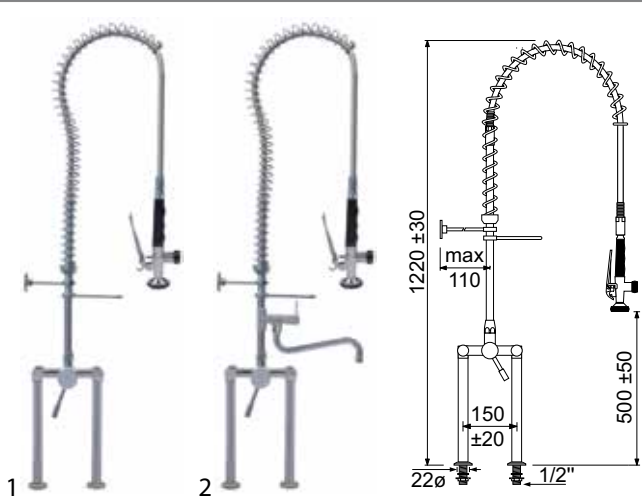


fig.	Part No.	cartridge	connection
1	546200	ceramic cartridge ø 35mm	3/8"

pre-rinse units

with single lever bridge mixer tap

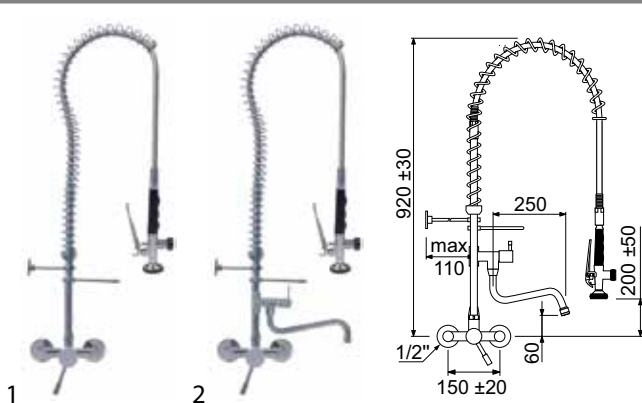


technical data:

hole distance 150±20mm

fig.	Part No.	cartridge	connection
1	546024	ceramic cartridge ø 35mm	1/2"
2	546023	ceramic cartridge ø 35mm	1/2"

with single lever wall-mounted water tap



technical data:

hole distance 150±20mm

fig.	Part No.	cartridge	connection
1	546015	ceramic cartridge ø 35mm	1/2"
2	546016	ceramic cartridge ø 35mm	1/2"

spare parts and accessories



fig.	Part No.	description	connection
1	549497	spray gun	1/2" ET
2	546262	spray gun	1/2" ET

fig.	Part No.	description	connections	L (mm)
1	542119 ¹	shower hose	1/2"	875
1	549485 ¹	shower hose	1/2"	1000
1	542120 ¹	shower hose	1/2"	1075
1	549244 ¹	shower hose	1/2"	1250

¹stainless steel bush

fig.	Part No.	description	connections	L (mm)
2	546264	shower hose	M12x1	850

fig.	Part No.	description	TS	RA (°)	application
1	546008	tap head	1/2"	-	cold/hot water
2	549921	ceramic tap head	1/2"	90	cold water
3	549931	ceramic tap head	1/2"	90	hot water

fig.	Part No.	description	version	application
1	549974	triangular handle	for tap heads 1/2"	cold/hot water
2	549491	lever handle	for tap heads 1/2"	for changeover valve

fig.	Part No.	description
1	541197	ceramic cartridge D1 ø 35mm D2 ø 23,5mm H1 27,4mm H2 37,5mm H3 56mm with 2 locking pins
2	549973	lever handle for cartridge ø35mm intake 9x9 suitable for INOX

fig.	Part No.	description	tube ø (mm)	projection (mm)	spout height (mm)
1	546034	S spout	18	250	120

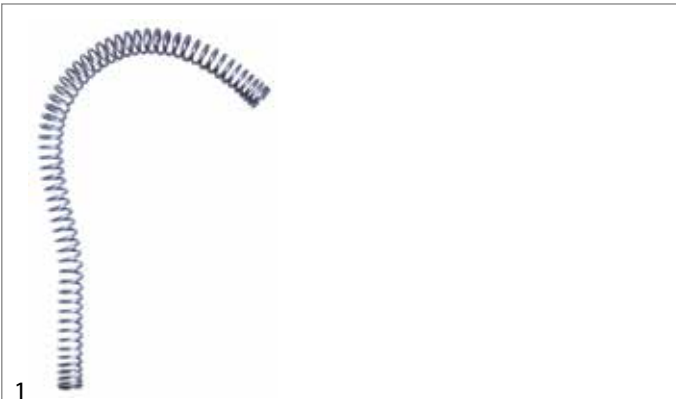


fig.	Part No.	description	material	H (mm)
1	548351	spring	stainless steel	660



fig.	Part No.	description	connections	L (mm)
1	549924 ¹	flex hose	3/8" - M10x1	500
1	549923 ¹	flex hose	1/2" - M10x1	500

¹with SS connections



fig.	Part No.	description
1	546301	backflow preventer thread 1/2" H 27mm stainless steel
2	546300	backflow preventer thread 3/8" H 39mm stainless steel
3	548198	backflow preventer ø 19mm H 17mm for eccentrics Qty 1 pcs



fig.	Part No.	description
4	515132	eccentrics connections 1/2" - 3/4" stainless steel with rosette Qty 2 pcs
5	546263	hose adaptor connection 1/2" - M12x1 stainless steel
6	549483	spring holder stainless steel



fig.	Part No.	description
7	549482	bracket for spray gun stainless steel
8	549484	wall holder stainless steel L 100mm



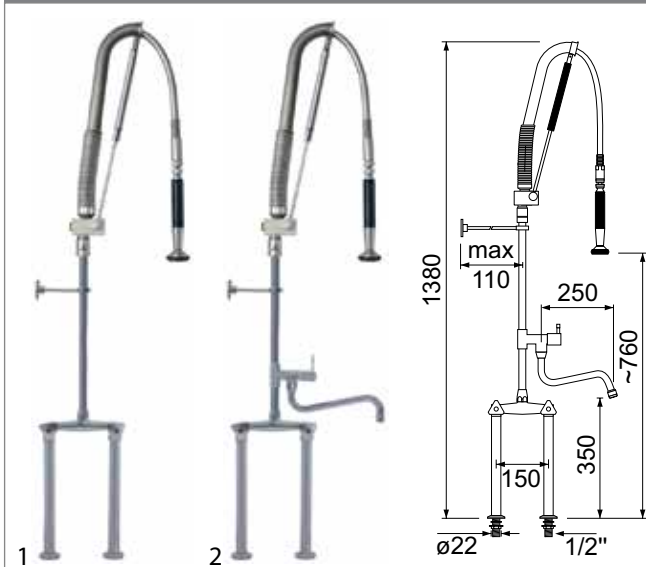
INOX AUTOMATIC

with monobloc tap



fig.	Part No.	upper part	G
1	546902	tap head 1/2"	3/8"
1	546903	tap head 1/2"	1/2"
1	546906	ceramic tap head 1/2"	3/8"
1	546907	ceramic tap head 1/2"	1/2"
2	546900	tap head 1/2"	3/8"
2	546901	tap head 1/2"	1/2"
2	546904	ceramic tap head 1/2"	3/8"
2	546905	ceramic tap head 1/2"	1/2"

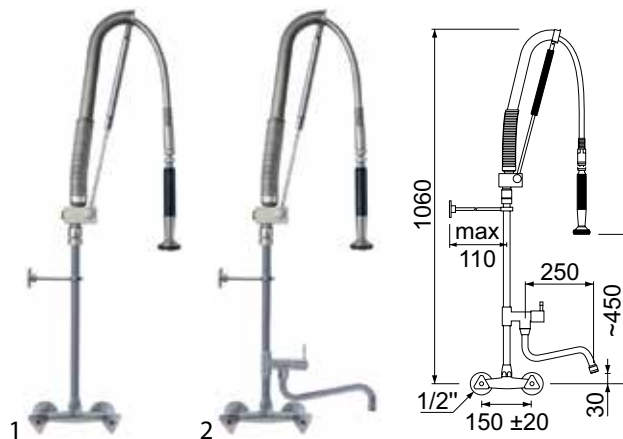
with bridge mixer tap



technical data:
hole distance 150mm

fig.	Part No.	upper part	connection
1	546909	tap head 1/2"	1/2"
1	546911	ceramic tap head 1/2"	1/2"
2	546908	tap head 1/2"	1/2"
2	546910	ceramic tap head 1/2"	1/2"

with wall-mounted water tap



technical data:
hole distance 150±20mm

fig.	Part No.	upper part	connection
1	546913	tap head 1/2"	1/2"
1	546915	ceramic tap head 1/2"	1/2"
2	546912	tap head 1/2"	1/2"
2	546914	ceramic tap head 1/2"	1/2"

with single lever monobloc tap

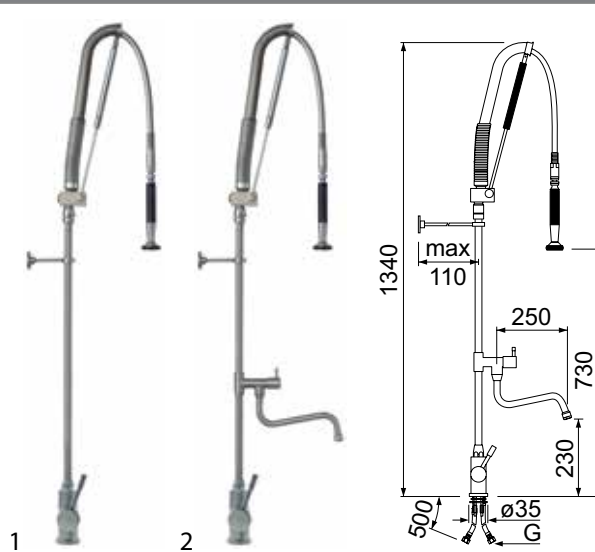
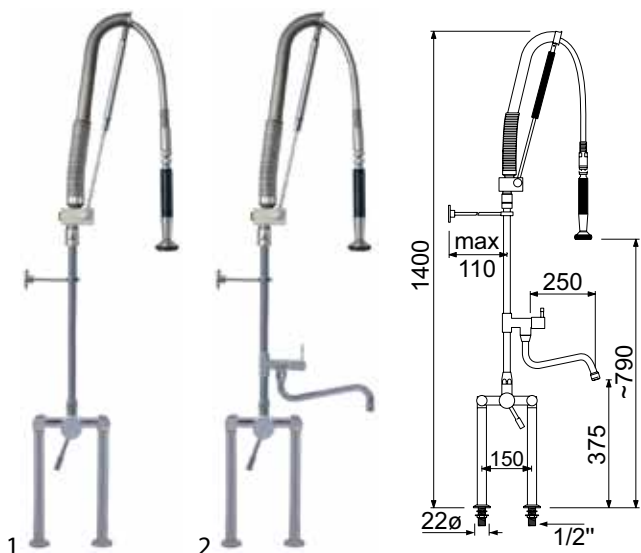


fig.	Part No.	cartridge	G
1	546918	ceramic cartridge Ø 35mm	3/8"
1	546919	ceramic cartridge Ø 35mm	1/2"
2	546916	ceramic cartridge Ø 35mm	3/8"
2	546917	ceramic cartridge Ø 35mm	1/2"



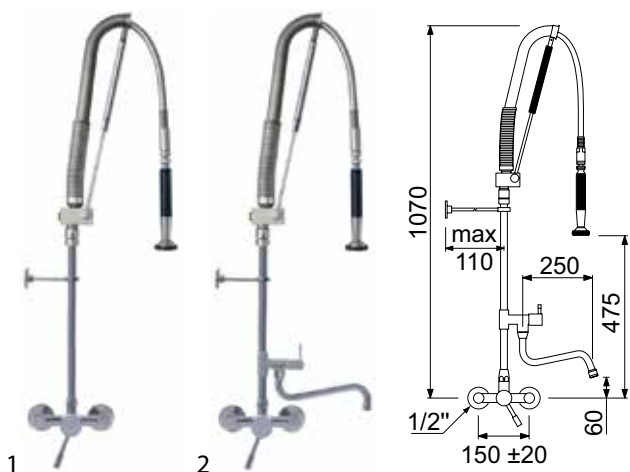
with single lever bridge mixer tap



technical data:
hole distance 150mm

fig.	Part No.	cartridge	connection
1	546923	ceramic cartridge ø 35mm	1/2"
2	546922	ceramic cartridge ø 35mm	1/2"

with single lever wall-mounted water tap



technical data:
hole distance 150±20mm

fig.	Part No.	cartridge	connection
1	546920	ceramic cartridge ø 35mm	1/2"
2	546921	ceramic cartridge ø 35mm	1/2"

spare parts and accessories

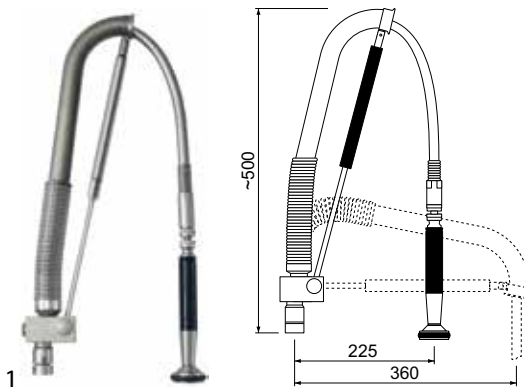


fig.	Part No.	description
1	545705	pre-rinse unit attachment INOX AUTOMATIC SS



fig.	Part No.	description
1	545120	gas tension spring INOX L 410mm ø 19mm



fig.	Part No.	description
2	549294	spring pre-rinse units type automatic stainless steel



fig.	Part No.	description	connection
1	545123	spray gun	1/2" ET



fig.	Part No.	description	connections	L (mm)
1	542119 ¹	shower hose	1/2"	875

¹stainless steel bush



fig.	Part No.	description	TS	RA (°)	application
1	546008	tap head	1/2"	-	cold/hot water
2	549921	ceramic tap head	1/2"	90	cold water
3	549931	ceramic tap head	1/2"	90	hot water



fig.	Part No.	description	version	application
1	549974	triangular handle	for tap heads 1/2"	cold/hot water
2	549491	lever handle	for tap heads 1/2"	for changeover valve

fig.	Part No.	description
1	541197	ceramic cartridge D1 ø 35mm D2 ø 23,5mm H1 27,4mm H2 37,5mm H3 56mm with 2 locking pins
2	549973	lever handle for cartridge ø35mm intake 9x9 suitable for INOX LINE

fig.	Part No.	description	tube ø (mm)	projection (mm)	spout height (mm)
1	546034	S spout	18	250	120

fig.	Part No.	description	connections	L (mm)
1	549924 ¹	flex hose	3/8" - M10x1	500
1	549923 ¹	flex hose	1/2" - M10x1	500

¹with SS connections

fig.	Part No.	description
1	548198	backflow preventer ø 19mm H 17mm for eccentrics Qty 1 pcs
2	546301	backflow preventer thread 1/2" H 27mm stainless steel
3	546300	backflow preventer thread 3/8" H 39mm stainless steel

fig.	Part No.	description
1	545124	swivel joint INOX LINE IT 1/2" ET 1/2"
2	545121	valve for pre-rinse unit type INOX AUTOMATIC
3	549484	wall holder stainless steel L 100mm



CLASSIC AMERICAN Style

with pillar tap

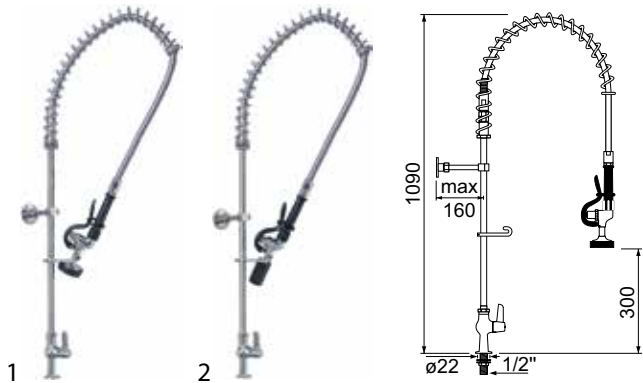


fig.	Part No.	upper part	connection
1	593301	ceramic tap head 1/2"	1/2"
2	593303	ceramic tap head 1/2"	1/2"

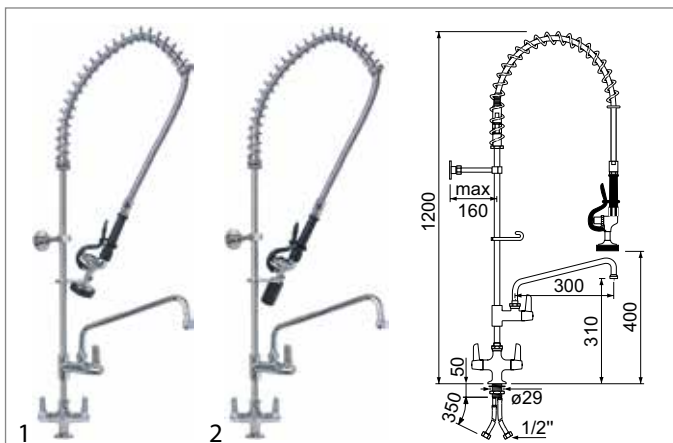


fig.	Part No.	upper part	connection
1	593322	ceramic tap head 1/2"	1/2"
2	593324	ceramic tap head 1/2"	1/2"

pre-rinse units

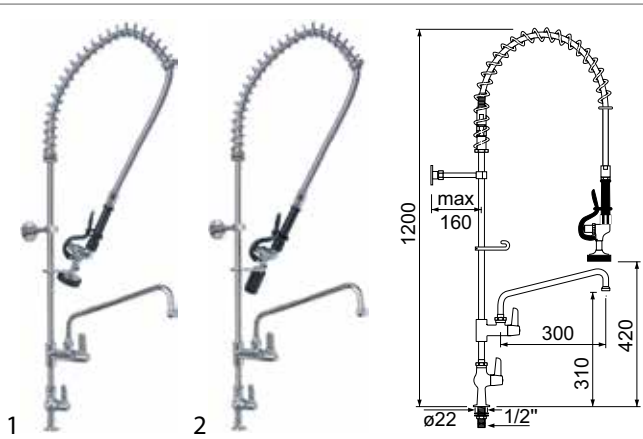


fig.	Part No.	upper part	connection
1	593302	ceramic tap head 1/2"	1/2"
2	593304	ceramic tap head 1/2"	1/2"

with bridge mixer tap

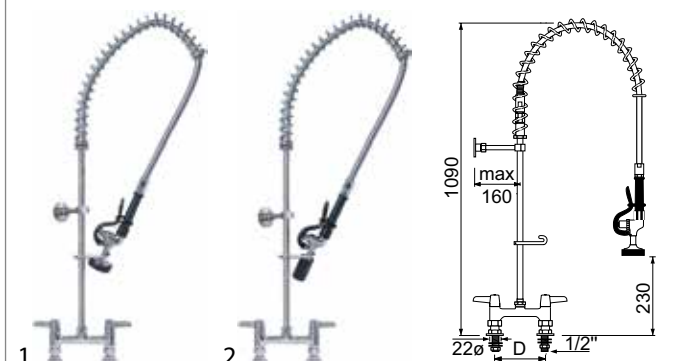


fig.	Part No.	upper part	D (mm)	connection
1	593331	ceramic tap head 1/2"	4" - 102	1/2"
1	593351	ceramic tap head 1/2"	7" - 180	1/2"
1	593361	ceramic tap head 1/2"	8" - 203	1/2"
1	593341	ceramic tap head 1/2"	6" - 152	1/2"
2	593333	ceramic tap head 1/2"	4" - 102	1/2"
2	593353	ceramic tap head 1/2"	7" - 180	1/2"
2	593363	ceramic tap head 1/2"	8" - 203	1/2"
2	593343	ceramic tap head 1/2"	6" - 152	1/2"

with monobloc tap

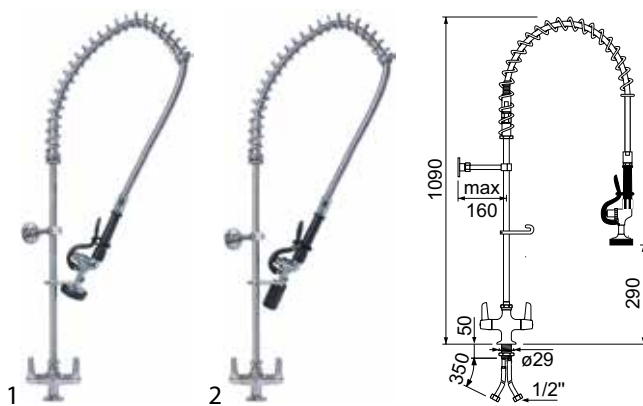


fig.	Part No.	upper part	connection
1	593321	ceramic tap head 1/2"	1/2"
2	593323	ceramic tap head 1/2"	1/2"

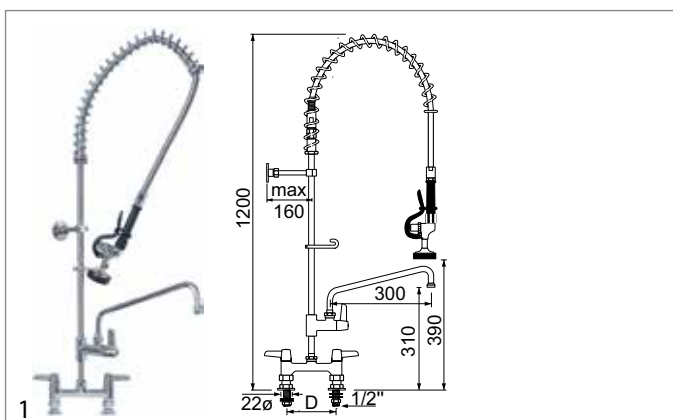


fig.	Part No.	upper part	D (mm)	connection
1	593332	ceramic tap head 1/2"	4" - 102	1/2"
1	593352	ceramic tap head 1/2"	7" - 180	1/2"
1	593362	ceramic tap head 1/2"	8" - 203	1/2"
1	593342	ceramic tap head 1/2"	6" - 152	1/2"

Table continues overleaf

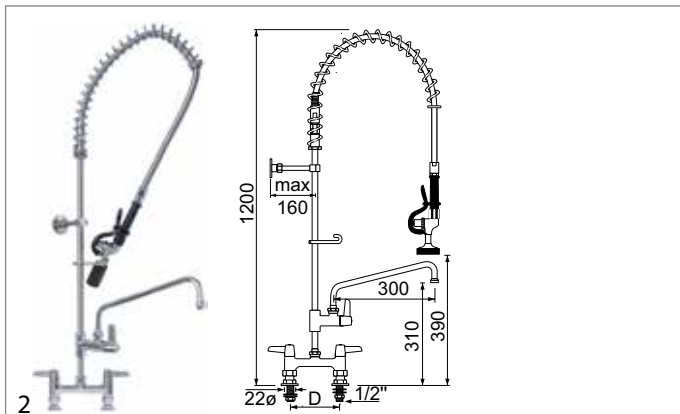


fig.	Part No.	upper part	D (mm)	connection
2	593334	ceramic tap head 1/2"	4" - 102	1/2"
2	593354	ceramic tap head 1/2"	7" - 180	1/2"
2	593364	ceramic tap head 1/2"	8" - 203	1/2"
2	593344	ceramic tap head 1/2"	6" - 152	1/2"

Hangman

with pillar tap

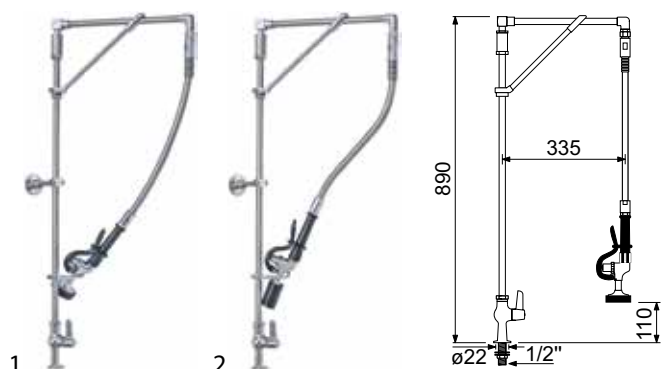
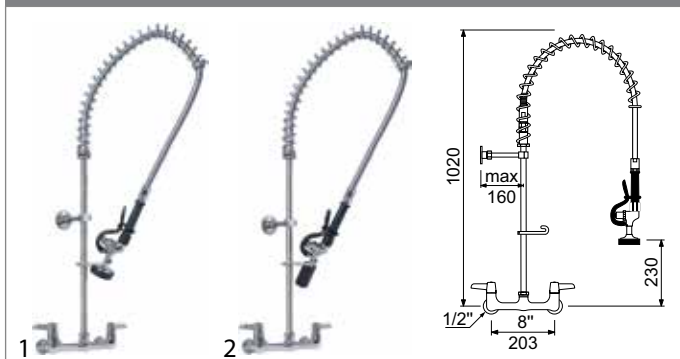


fig.	Part No.	upper part	connection
1	593305	ceramic tap head 1/2"	1/2"
2	593307	ceramic tap head 1/2"	1/2"

with wall-mounted water tap



technical data:
hole distance 8" - 203mm

fig.	Part No.	upper part	connection
1	593371	ceramic tap head 1/2"	1/2"
2	593373	ceramic tap head 1/2"	1/2"

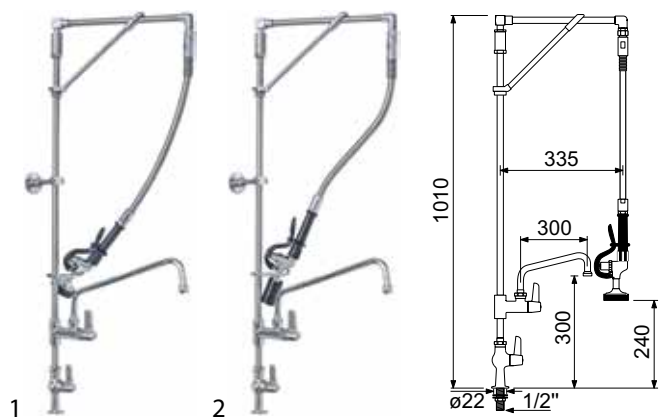
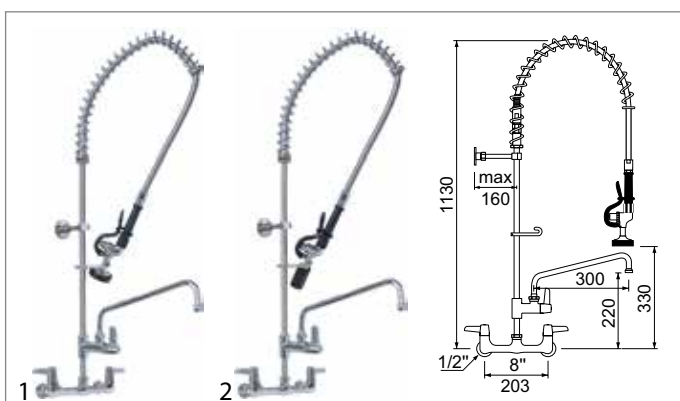


fig.	Part No.	upper part	connection
1	593306	ceramic tap head 1/2"	1/2"
2	593308	ceramic tap head 1/2"	1/2"



technical data:
hole distance 8" - 203mm

fig.	Part No.	upper part	connection
1	593372	ceramic tap head 1/2"	1/2"
2	593374	ceramic tap head 1/2"	1/2"

with monobloc tap

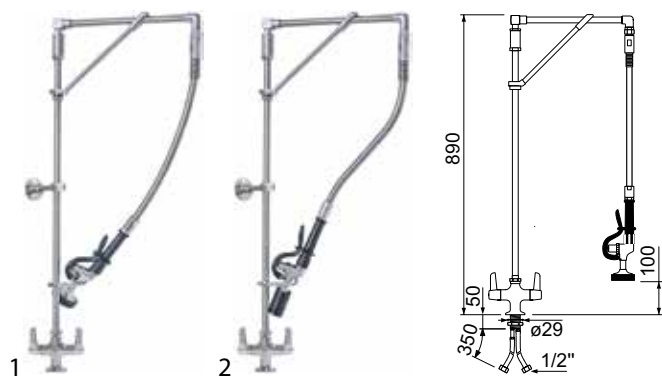


fig.	Part No.	upper part	connection
1	593325	ceramic tap head 1/2"	1/2"
2	593327	ceramic tap head 1/2"	1/2"



pre-rinse units

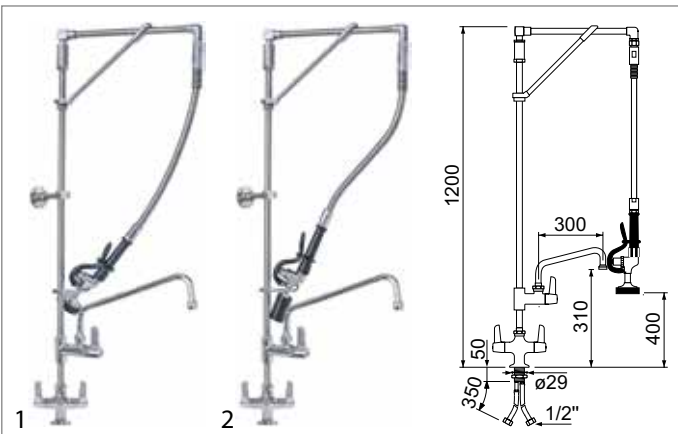


fig.	Part No.	upper part	connection
1	593326	ceramic tap head 1/2"	1/2"
2	593328	ceramic tap head 1/2"	1/2"

with bridge mixer tap

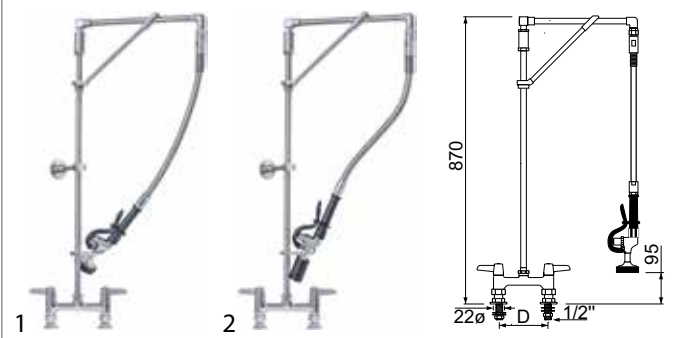


fig.	Part No.	upper part	D (mm)	connection
1	593335	ceramic tap head 1/2"	4" - 102	1/2"
1	593355	ceramic tap head 1/2"	7" - 180	1/2"
1	593365	ceramic tap head 1/2"	8" - 203	1/2"
1	593345	ceramic tap head 1/2"	6" - 152	1/2"
2	593337	ceramic tap head 1/2"	4" - 102	1/2"
2	593357	ceramic tap head 1/2"	7" - 180	1/2"
2	593347	ceramic tap head 1/2"	6" - 152	1/2"

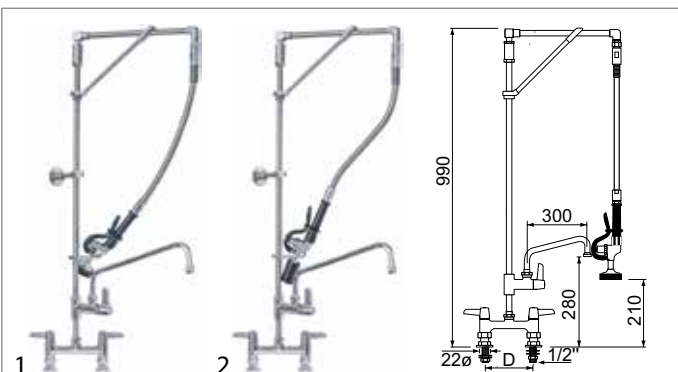


fig.	Part No.	upper part	D (mm)	connection
1	593336	ceramic tap head 1/2"	4" - 102	1/2"
1	593356	ceramic tap head 1/2"	7" - 180	1/2"
1	593366	ceramic tap head 1/2"	8" - 203	1/2"
1	593346	ceramic tap head 1/2"	6" - 152	1/2"
2	593338	ceramic tap head 1/2"	4" - 102	1/2"
2	593358	ceramic tap head 1/2"	7" - 180	1/2"
2	593368	ceramic tap head 1/2"	8" - 203	1/2"
2	593348	ceramic tap head 1/2"	6" - 152	1/2"

with wall-mounted water tap

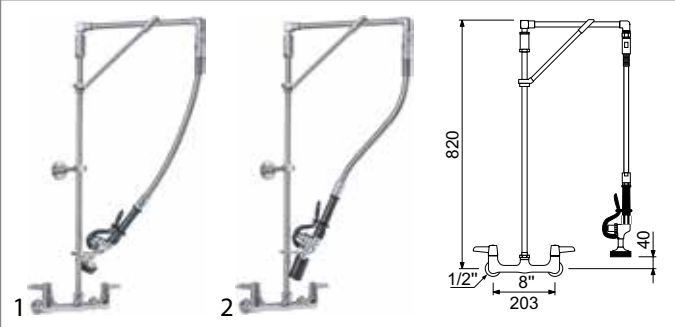


fig.	Part No.	upper part	D (mm)	connection
1	593375	ceramic tap head 1/2"	8" - 203	1/2"
2	593377	ceramic tap head 1/2"	8" - 203	1/2"

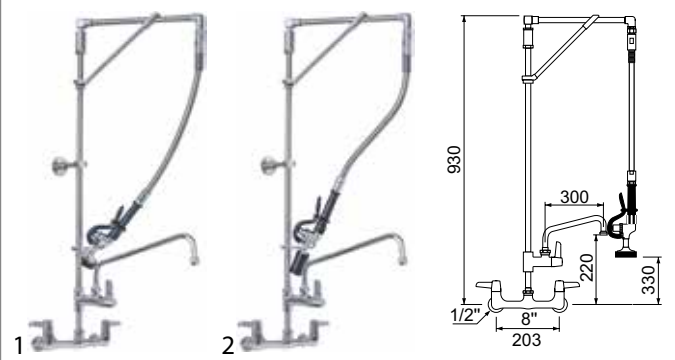


fig.	Part No.	upper part	D (mm)	connection
1	593376	ceramic tap head 1/2"	8" - 203	1/2"
2	593378	ceramic tap head 1/2"	8" - 203	1/2"

pre-rinse units SHORT LINE

with pillar tap

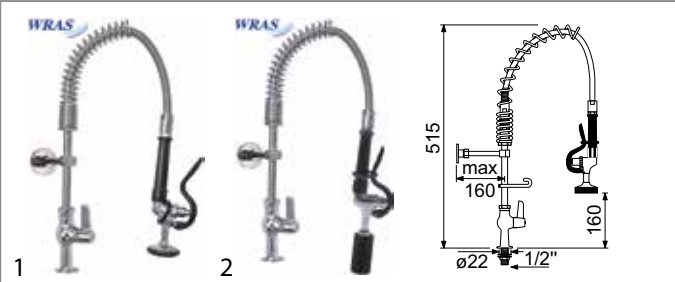


fig.	Part No.	upper part	connection
1	545964	ceramic tap head 1/2"	1/2"
2	545967	ceramic tap head 1/2"	1/2"

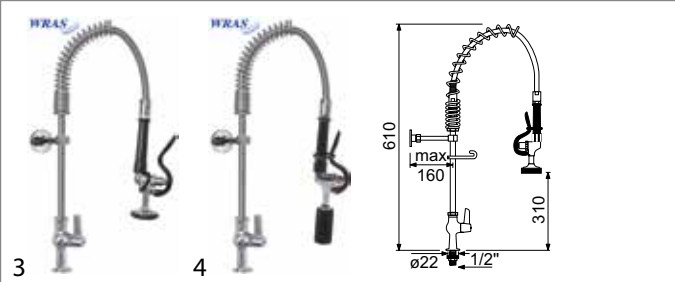


fig.	Part No.	upper part	connection
3	545965	ceramic tap head 1/2"	1/2"
4	545968	ceramic tap head 1/2"	1/2"

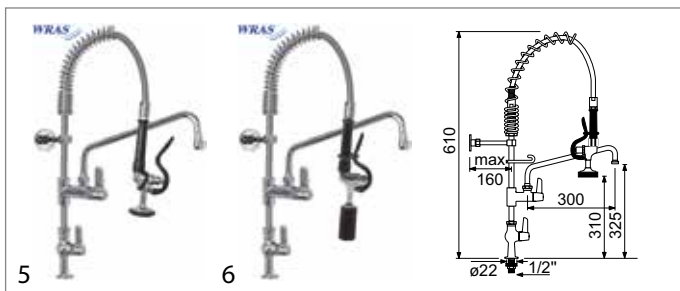


fig.	Part No.	upper part	connection
5	545966	ceramic tap head 1/2"	1/2"
6	545969	ceramic tap head 1/2"	1/2"

with monobloc tap

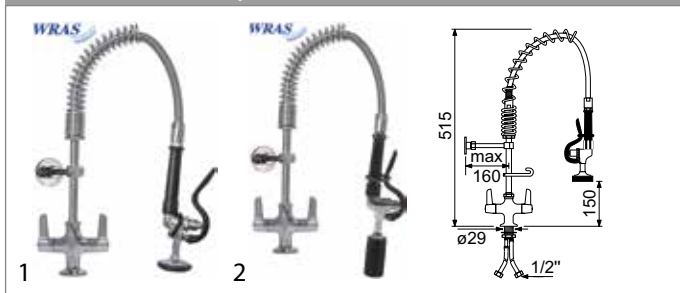


fig.	Part No.	upper part	connection
1	545970	ceramic tap head 1/2"	1/2"
2	545973	ceramic tap head 1/2"	1/2"

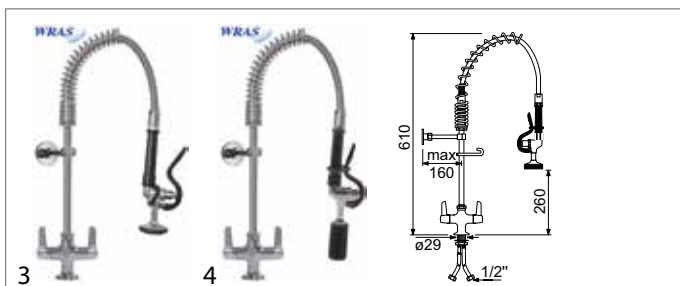


fig.	Part No.	upper part	connection
3	545971	ceramic tap head 1/2"	1/2"
4	545974	ceramic tap head 1/2"	1/2"



fig.	Part No.	upper part	connection
5	545972	ceramic tap head 1/2"	1/2"
6	545975	ceramic tap head 1/2"	1/2"

with bridge mixer tap

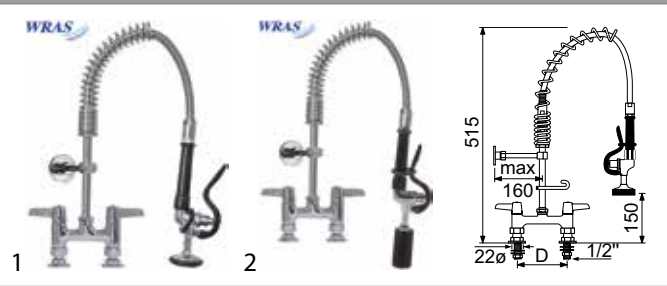


fig.	Part No.	upper part	D	connection
1	545976	ceramic tap head 1/2"	6" - 152	1/2"
1	545982	ceramic tap head 1/2"	7" - 180	1/2"
2	545979	ceramic tap head 1/2"	6" - 152	1/2"
2	545985	ceramic tap head 1/2"	7" - 180	1/2"

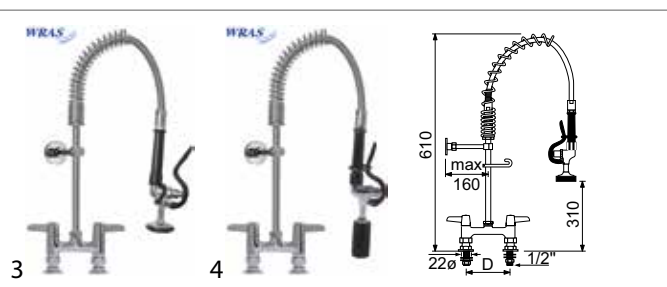


fig.	Part No.	upper part	D	connection
3	545977	ceramic tap head 1/2"	6" - 152	1/2"
3	545983	ceramic tap head 1/2"	7" - 180	1/2"
4	545980	ceramic tap head 1/2"	6" - 152	1/2"
4	545986	ceramic tap head 1/2"	7" - 180	1/2"



fig.	Part No.	upper part	D	connection
5	545978	ceramic tap head 1/2"	6" - 152	1/2"
5	545984	ceramic tap head 1/2"	7" - 180	1/2"
6	545981	ceramic tap head 1/2"	6" - 152	1/2"
6	545987	ceramic tap head 1/2"	7" - 180	1/2"

2 pre-rinse units



spare parts and accessories



fig.	Part No.	description	connection	Qmax. (l/min)
1	549333	spray gun	7/8"-20UNEF	at ca. 4bar 12
2	545134	spray gun	7/8"-20UNEF	at ca. 4bar 12
3	593011	spray gun	7/8"-20UNEF	at ca. 4bar 12
4	545133	spray gun	7/8"-20UNEF	at ca. 4bar 4,5



fig.	Part No.	description	connection	Qmax. (l/min)
5	545132	spray gun	7/8"-20UNEF	at ca. 4bar 4,5
6	547599	handle	3/4"-14UNF - 7/8"-20UNF	-
7	547754	pressure pin	-	-

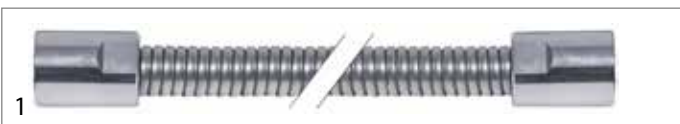


fig.	Part No.	description	connections	L (mm)
1	545127	shower hose	7/8"-20UNEF	430
1	593012	shower hose	7/8"-20UNEF	950



fig.	Part No.	description	connections	L (mm)
2	545128	shower hose	7/8"-20UNEF	490
2	547594	shower hose	7/8"-20UNEF	950



fig.	Part No.	description	TS	RA (°)	application
1	593014	ceramic tap head	1/2"	90	cold water
2	593015	ceramic tap head	1/2"	90	hot water
3	593016	lever handle	-	-	cold/hot water



fig.	Part No.	description	projection (mm)	spout height (mm)	tube ø (mm)
1	547741	R-spout	145	160	16
1	547742	R-spout	190	145	16
1	547743	R-spout	220	140	16
2	547744	HU-spout	155	50	16
2	547745	HU-spout	205	65	16
2	547746	HU-spout	260	85	16
2	547747	HU-spout	300	100	16
2	547748	HU-spout	350	110	16
2	547749	HU-spout	400	125	16
2	547600	HU-spout	450	140	16



fig.	Part No.	description	material	H (mm)
1	545119	spring	chrome-plated	210

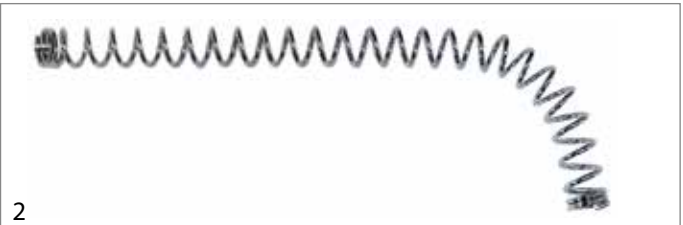


fig.	Part No.	description	material	H (mm)
2	547596	spring	chrome-plated	580

pre-rinse units




fig.	Part No.	description
1	542844	backflow preventer thread 1/2" L 17mm Qty 1 pcs
2	543253	backflow preventer thread 1/2" L 17mm Qty 1 pcs
3	547595	bracket for spray gun



fig.	Part No.	description
4	547757	spring holder L 71mm IT 3/8" ET 7/8"-20UNEF
5	547597	wall holder



PREMIUM AMERICAN Style

with pillar tap

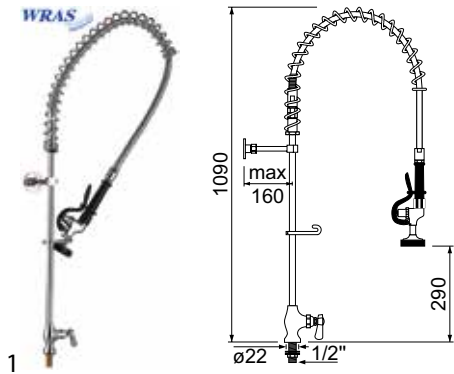


fig.	Part No.	upper part	connection
1	547300	tap head	1/2"

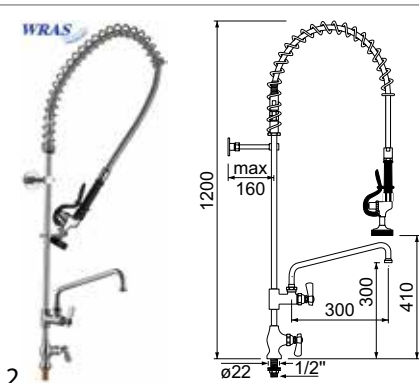


fig.	Part No.	upper part	connection
2	549874	tap head	1/2"

with wall tap

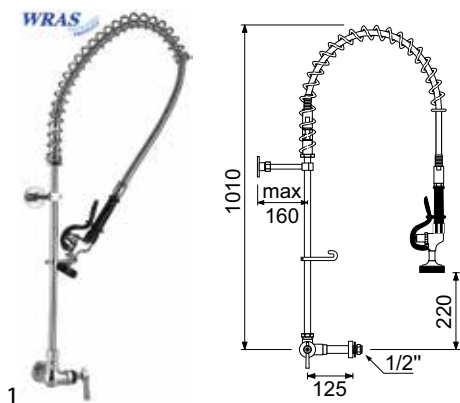


fig.	Part No.	upper part	connection
1	547302	tap head	1/2"

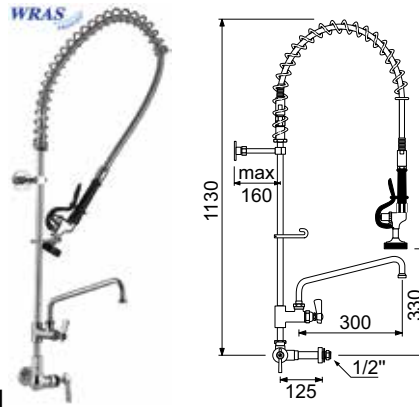


fig.	Part No.	upper part	connection
1	545930	tap head	1/2"

with monobloc tap

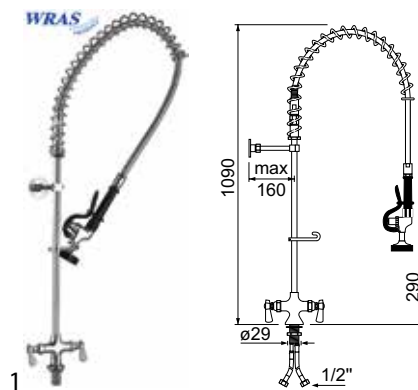


fig.	Part No.	upper part	connection
1	547301	tap head	1/2"

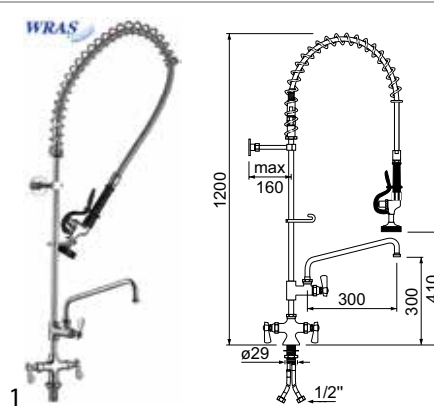


fig.	Part No.	upper part	connection
1	549873	tap head	1/2"

pre-rinse units



with bridge mixer tap

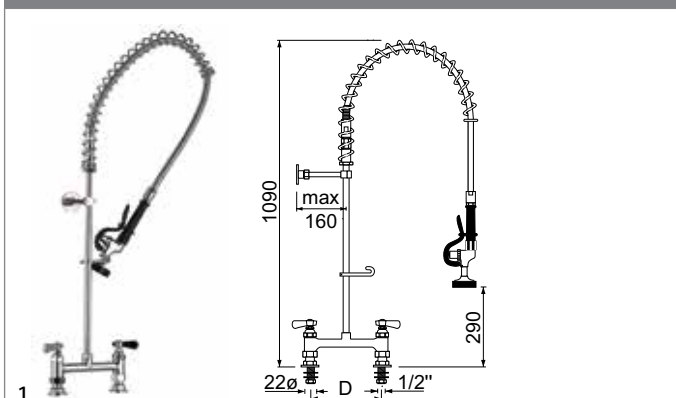


fig.	Part No.	upper part	D	connector
1	547304	tap head	4" - 102	1/2"
1	549991 ¹	tap head	7" - 180	1/2"
1	547306	tap head	8" - 203	1/2"
1	547305	tap head	6" - 152	1/2"

¹WRAS approved

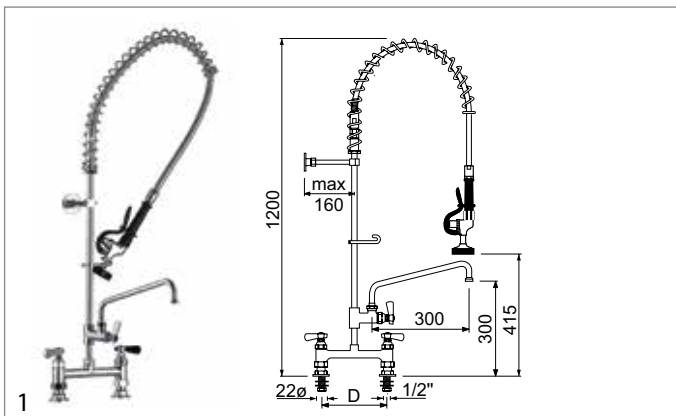


fig.	Part No.	upper part	D	connector
1	549878	tap head	4" - 102	1/2"
1	549992 ¹	tap head	7" - 180	1/2"
1	549880	tap head	8" - 203	1/2"
1	549879	tap head	6" - 152	1/2"

¹WRAS approved

with wall-mounted water tap

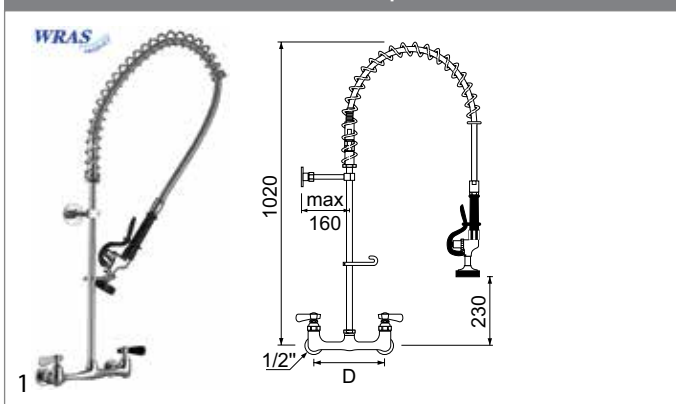


fig.	Part No.	upper part	D	connection
1	545041	tap head	7" - 180	1/2"
1	547303	tap head	8" - 203	1/2"

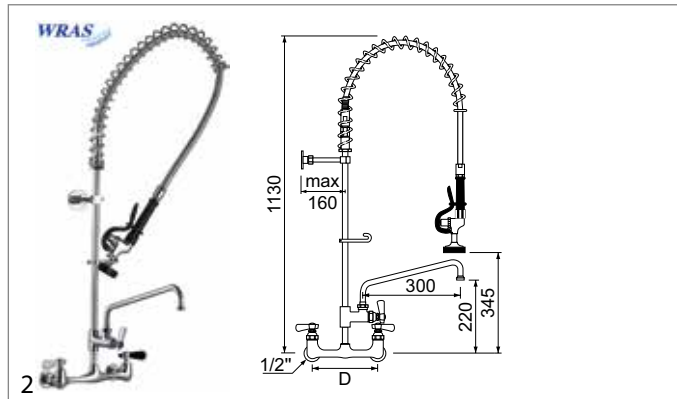


fig.	Part No.	upper part	D	connection
2	545042	tap head	8" - 203	1/2"
2	549875	tap head	8" - 203	1/2"

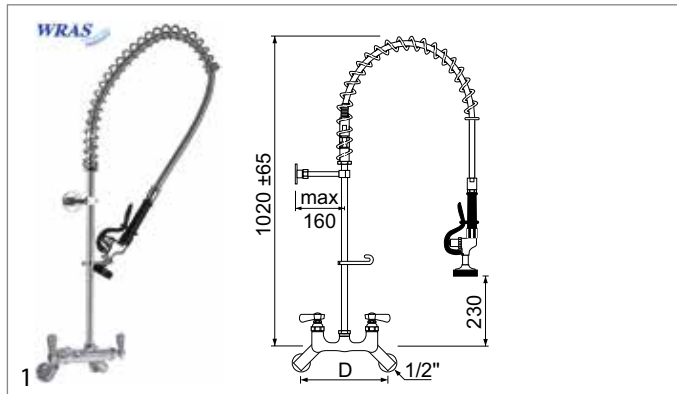


fig.	Part No.	upper part	D	connection
1	545988	tap head	2 3/4" - 8 1/2", 71-216	1/2"

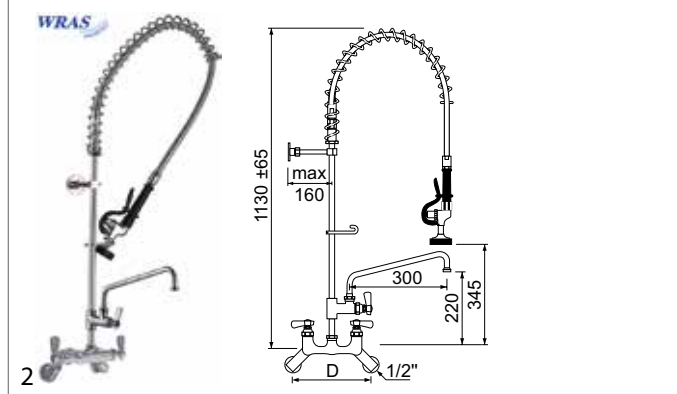


fig.	Part No.	upper part	D	connection
2	545989	tap head	2 3/4" - 8 1/2", 71-216	1/2"

2 pre-rinse units



without taps

fig.	Part No.	version	connection
1	549876	with connecting adapter	1/2"

fig.	Part No.	version	connection
2	549877	with connecting adapter	1/2"

hangman

with pillar tap

fig.	Part No.	upper part	connection
1	545949	tap head	1/2"

with monobloc tap

fig.	Part No.	upper part	connection
1	545950	tap head	1/2"

with bridge mixer tap

fig.	Part No.	upper part	D	connector
1	545951	tap head	4" - 102	1/2"
1	545952	tap head	6" - 152	1/2"
1	545953	tap head	7" - 180	1/2"
1	545954	tap head	8" - 203	1/2"

with wall-mounted water tap

fig.	Part No.	upper part	D	connector
1	545915	tap head	180	1/2"

pre-rinse units



fig.	Part No.	upper part	D	connector
2	545916	tap head	203±12	1/2"

fig.	Part No.	upper part	connection	fig.	Part No.	upper part	connection
2	545935	tap head	1/2"	3	545936	tap head	1/2"

pre-rinse units SHORT LINE

with pillar tap

fig.	Part No.	upper part	connection
1	545931	tap head	1/2"

with bridge mixer tap

fig.	Part No.	upper part	D	connection
1	545937	tap head	4" - 102	1/2"
1	545938	tap head	6" - 152	1/2"
1	545939 ¹	tap head	7" - 180	1/2"
1	545940	tap head	8" - 203	1/2"

fig.	Part No.	upper part	connection	fig.	Part No.	upper part	connection
2	545932	tap head	1/2"	3	545933	tap head	1/2"

¹WRAS approved

fig.	Part No.	upper part	D	connection
2	545941	tap head	4" - 102	1/2"
2	545942	tap head	6" - 152	1/2"
2	545943 ¹	tap head	7" - 180	1/2"
2	545944	tap head	8" - 203	1/2"
3	545945	tap head	4" - 102	1/2"
3	545946	tap head	6" - 152	1/2"
3	545947 ¹	tap head	7" - 180	1/2"
3	545948	tap head	8" - 203	1/2"

¹WRAS approved

with monobloc tap

fig.	Part No.	upper part	connection
1	545934	tap head	1/2"



spare parts and accessories



fig.	Part No.	description	connection	Qmax. (l/min)
1	549333	spray gun	7/8"-20UNEF	at ca. 4bar 12
2	545134	spray gun	7/8"-20UNEF	at ca. 4bar 12
3	545131	spray gun	7/8"-20UNEF	at ca. 4bar 2,5
3	545133	spray gun	7/8"-20UNEF	at ca. 4bar 4,5
4	545132	spray gun	7/8"-20UNEF	at ca. 4bar 4,5




fig.	Part No.	description	connection	Qmax. (l/min)
5	547599	handle	3/4"-14UNF - 7/8"-20UNF	-
6	547754	pressure pin	-	-




fig.	Part No.	description	connections	L (mm)
1	545127	shower hose	7/8"-20UNEF	430




fig.	Part No.	description	connections	L (mm)
2	545128	shower hose	7/8"-20UNEF	490
2	547594	shower hose	7/8"-20UNEF	950



fig.	Part No.	description	application
1	547750	tap head	cold water
1	547751	tap head	hot water
2	548620	screw cap	for tap head
3	547752	lever handle	cold/hot water



fig.	Part No.	description	tube ø (mm)	projection (mm)	spout height (mm)
1	547741	R-spout	16	145	160
1	547742	R-spout	16	190	145
1	547743	R-spout	16	220	140
2	547744	HU-spout	16	155	50
2	547745	HU-spout	16	205	65
2	547746	HU-spout	16	260	85
2	547747	HU-spout	16	300	100
2	547748	HU-spout	16	350	110
2	547749	HU-spout	16	400	125
2	547600	HU-spout	16	450	140




fig.	Part No.	description	material	H (mm)
1	545119	spring	chrome-plated	210

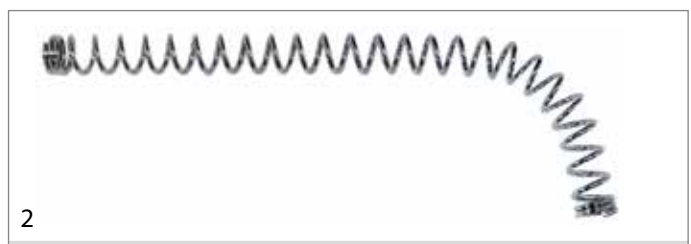


fig.	Part No.	description	material	H (mm)
2	547596	spring	chrome-plated	580



fig.	Part No.	description
1	547595	bracket for spray gun
2	547597	wall holder
3	547757	spring holder L 71mm IT 3/8" ET 7/8"-20UNEF



spare parts of other producers

suitable for CHAVONNET



fig.	Part No.	description	connection
1	547558	spray gun	1/2" ET



fig.	Part No.	description	TS	RA (°)	application
1	547555	ceramic tap head	1/2"	90	cold water
2	547556	ceramic tap head	1/2"	90	hot water



fig.	Part No.	description	connections	L (mm)
1	547562	shower hose	1/2"	950
1	547563	shower hose	1/2"	1200



fig.	Part No.	description	connections	L (mm)
2	548408	shower hose	1/2" - M21x1	1300



fig.	Part No.	description	material	H (mm)
1	548351	spring	stainless steel	660



fig.	Part No.	description
1	548354	spring holder ø 20,5mm for stand pipe
2	547422	wall holder for pre-rinse units L 163mm

suitable for DELABIE



fig.	Part No.	description	connection
1	547580	spray gun	1/2" ET



fig.	Part No.	description	TS	application
1	540411	tap head	1/2"	cold/hot water
2	540412	triangular handle	-	cold/hot water
3	540328	marking cap	-	cold water
4	540420	marking cap	-	hot water



fig.	Part No.	description	tube ø (mm)	projection (mm)	spout height (mm)
1	547684	S spout	18	200-290	10



fig.	Part No.	description	material	H (mm)
1	548351	spring	stainless steel	660




1 

fig.	Part No.	description	connections	L (mm)
1	540145	shower hose	1/2"	950
1	540146	shower hose	1/2"	1200



1  2 

fig.	Part No.	description
1	548354	spring holder ø 20,5mm for stand pipe
2	547422	wall holder for pre-rinse units L 163mm

suitable for ECHTERMANN

1  2  3 

fig.	Part No.	description	connection	Ref. No.
1	548011	spray gun	1/2" ET	—
2	549383	spray gun	1/2" ET	6631.10-1 Alternativ
3	549384	spray gun	1/2" ET	6631-1 Alternativ

1  2  3 

fig.	Part No.	description	Ref. No.
1	547451	pressure pin for pre-rinse unit suitable for TOP CLEAN since 07/2009 L 56,5mm	6530-5/8 Alternativ
2	545700	pressure pin for pre-rinse unit suitable for TOP CLEAN until 07/2009 L 54mm	6530-11/14 Alternativ
3	547450	pressure pin for spray gun suitable for EURO CLEAN/EURO SINGLE since 01/2009	2452.21-4/8 Alternativ

4  5  6 

fig.	Part No.	description	Ref. No.
4	540444	pressure pin for spray gun suitable for EURO CLEAN/EURO SINGLE until 12/2008	6631-1-3/4 Alternativ
5	540008	shower head connection 1/2" metal	6631-1-26.2 Alternativ
6	547447	shower head connection 1/2" metal ø 50mm	6631-6 Alternativ


1 

fig.	Part No.	description	connections	L (mm)	Ref. No.
1	547431	shower hose	1/2"	800	6532-3/0800 Alternativ
1	547432	shower hose	1/2"	1000	6532-3/1000 Alternativ
1	547433	shower hose	1/2"	1250	6532-3/1250 Alternativ


2 

fig.	Part No.	description	connections	L (mm)	Ref. No.
2	540066 ¹	shower hose	1/2"	1000	6631-2/1000 Alternativ
2	540070 ¹	shower hose	1/2"	1250	6631-2/1250 Alternativ

¹brass bush

1  2  3 

fig.	Part No.	description	TS	application	Ref. No.
1	547415	non-return valve tap head	1/2"	cold/hot water	2145.21/8.6.1 Alternativ
2	547554	non-return valve tap head	1/2"	cold/hot water	2145.21/0.0.1 Alternativ
3	547427	hood handle	-	for tap heads 1/2"	2144.20-20 Alternativ


1 

fig.	Part No.	description	D1 ø (mm)	H1 (mm)	Ref. No.
1	540452	ceramic cartridge	40	30	6644-6-1


1 

fig.	Part No.	description	tube ø (mm)	projection (mm)	spout height (mm)	Ref. No.
1	547566	S spout	18	200	120	6360.30/200 Alternativ



1  2 

fig.	Part No.	description	TS	version	Ref. No.
1	547492	tap aerator	M22x1	with plastic insert	2374.00 Alternativ
2	540805	tap aerator	M24x1	with plastic insert	2377.00 Alternativ



fig.	Part No.	description	H (mm)	version	Ref. No.
1	547437	riser pipe	420	without swivel tap	6536-8 Alternativ
1	547438	riser pipe	700	without swivel tap	6534-8 Alternativ
2	549951	riser pipe	515	with swivel tap	6539.05-9 Alternativ
2	549952	riser pipe	700	with swivel tap	6534.02-9 Alternativ
3	547428	riser pipe	515	with swivel tap	6539.05-9/250 Alternativ
3	547429	riser pipe	700	with swivel tap	6534.02-9/250 Alternativ

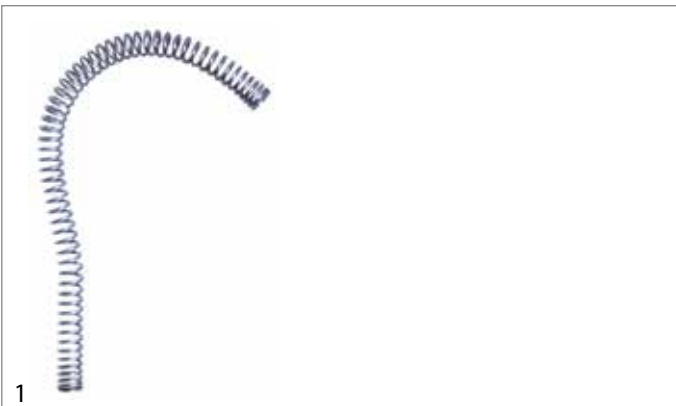


fig.	Part No.	material	H (mm)	Ref. No.
1	548351	stainless steel	660	6631-3 Alternativ



fig.	Part No.	description	connection	L (mm)	Ref. No.
1	547407	pillar	1/2" - 3/4"	300	6536-7 Alternativ
2	547408	pillar	1/2" - 3/4"	300	6635-7 Alternativ

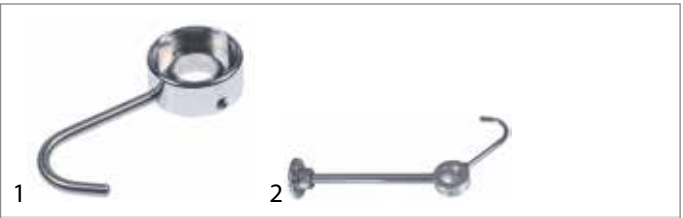


fig.	Part No.	description	Ref. No.
1	542948	spring holder	6631-5-1 Alternativ
2	547422	wall holder for pre-rinse units L 163mm	6631.007-4 Alternativ



fig.	Part No.	description	Ref. No.
3	547436	wall holder for riser pipe L 150mm ø 20,5mm	6531-4 Alternativ
3	545307	wall holder for riser pipe L 350mm ø 20,5mm	6531-4/350 Alternativ



fig.	Part No.	description
1	540368	backflow preventer thread 3/8" L 27mm Qty 1 pcs
2	542844	backflow preventer thread 1/2" L 17mm Qty 1 pcs
3	543254	backflow preventer thread 3/4" inlet IT outlet ET
4	547982	backflow preventer ø 15mm H 16mm Qty 1 pcs



fig.	Part No.	description	connection	Ref. No.
1	547400	pillar tap	1/2"	6632-6 Alternativ
2	540351	monobloc tap	3/8"	6644-6 Alternativ
3	547401	monobloc tap	3/8"	—



fig.	Part No.	description	connection	Ref. No.
4	545201	single lever monobloc tap	3/8"	6644.00-6 Alternativ
5	547409	swivel tap	1/2"	2401.20/250 Alternativ
6	547404	bridge mixer tap	3/4"	6536-6 Alternativ





fig.	Part No.	description	connection	Ref. No.
7	547402	wall-mounted water tap	3/4"	6635-6 Alternativ
8	547403	wall-mounted water tap	1/2"	6637-6 Alternativ
9	547405	wall-mounted water tap	1/2"	6539-6 Alternativ




fig.	Part No.	description	connection	Ref. No.
10	540188	single lever wall-mounted water tap	1/2"	6645-6 Alternativ
11	545203	single lever wall-mounted water tap	1/2"	6647-00-6 Alternativ
12	545202	single lever wall-mounted water tap	3/4"	6645.00-6 Alternativ

miscellaneous




fig.	Part No.	description	Ref. No.
1	515090	eccentrics connection 1/2" - 3/4" with rosette Qty 2 pcs	6637-6-18/19 Alternativ
2	548353	swivel joint IT 1/2" ET 1/2" brass	6530-6 Alternativ




fig.	Part No.	description	Ref. No.
3	547434	gas tension spring	6530-4 Alternativ

suitable for KLARCO



fig.	Part No.	description	connection	colour	Ref. No.
1	548192	spray gun	1/2" ET	black	OPP046.00.00 Alternativ
2	542077	spray gun	1/2" ET	blue	—
3	542856	spray gun	1/2" IT	black	OPP045.00.00/N




fig.	Part No.	description	TS	RA (°)	application	Ref. No.
1	541384	tap head	1/2"	-	cold/hot water	0030010 OP.V030.00.00
2	548416	tap head	1/2"	-	cold/hot water	OP.V0L0.00.00



fig.	Part No.	description	TS	RA (°)	application	Ref. No.
3	547965	triangular handle	-	-	cold/hot water	OP.H033.00.00/B OP.H033.00.00/R
4	541535	handle	-	-	cold water	H36/B
5	541536	handle	-	-	hot water	H36/R



fig.	Part No.	description	TS	RA (°)	application	Ref. No.
1	541380	tap head	3/4"	-	cold/hot water	0030013/1 OP.V020.00.00
2	541378	triangular handle	-	-	cold water	0055224/B OP.H013.00.00/B
3	541379	triangular handle	-	-	hot water	0055224/R OP.H013.00.00/R



fig.	Part No.	description	TS	RA (°)	application	Ref. No.
1	548414	ceramic tap head	1/2"	90	cold water	0030021/D OP.V040.00.00/D
1	548434	ceramic tap head	3/4"	90	cold water	OP.V050.00.00/S
2	548415	ceramic tap head	1/2"	90	hot water	OP.V040.00.00/S
2	548433	ceramic tap head	3/4"	90	hot water	OP.V050.00.00/D




fig.	Part No.	description	TS	RA (°)	application	Ref. No.
3	547965	triangular handle	-	-	cold/hot water	OP.H033.00.00/B OP.H033.00.00/R
4	541535	handle	-	-	cold water	H36/B
5	541536	handle	-	-	hot water	H36/R




fig.	Part No.	description	D1 ø (mm)	H1 (mm)	Ref. No.
1	541403	ceramic cartridge	47	30.5	0030110 OP.V070.00.00




fig.	Part No.	description	handle length (mm)	intake	ø (mm)	Ref. No.
1	541401	lever handle	330	10x10,6mm	55	0055221 OP.H025.00.00




fig.	Part No.	description	tube ø (mm)	projection (mm)	spout height (mm)	Ref. No.
1	541405	HU-spout	-	270	220	0031350 OP.C048.00.00
2	542868	S spout	20	250	50	OP.C051.00.00 CS1



fig.	Part No.	description	TS	Ref. No.
1	547492	tap aerator	M22x1	OP.P015.00.00 P015
2	541404	tap aerator	M24x1	0030205 OP.P065.00.00




fig.	Part No.	description	connections	L (mm)	Ref. No.
1	542020 ¹	shower hose	1/2"	1050	—
1	542021 ¹	shower hose	1/2"	1200	—

¹PVC coated




fig.	Part No.	description	connections	L (mm)	Ref. No.
2	541812 ¹	shower hose	1/2"	1075	—

¹brass bush




fig.	Part No.	description	connections	L (mm)	Ref. No.
3	542016	shower hose	1/2"	1100	—
3	542017	shower hose	1/2"	1200	—

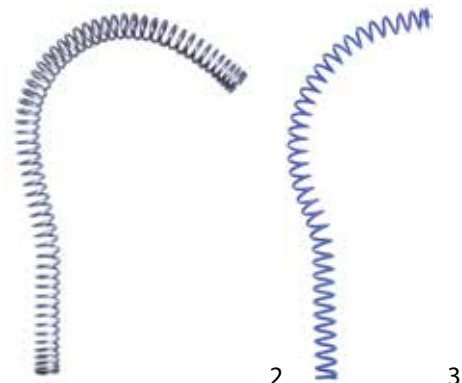


fig.	Part No.	description	Ref. No.
1	548351	spring for pre-rinse units ED ø 40mm ID ø 28mm H 660mm wire gauge ø 6mm stainless steel	—
2	542871	spring for pre-rinse units H 660mm plastic coated stainless steel blue	OP.P300.00.00
3	547704	hose protection	OP.P006.00.00 9000221




fig.	Part No.	description	Ref. No.
1	541394	wall holder for riser pipe black	OE.P034.00.00 9000222 P092 black
2	541395	bracket for spray gun black	OE.P035.00.00 9000223 P091 black
3	541419	spring holder black	OE.P007.00.00 9000216 P090 black

pre-rinse units




fig.	Part No.	description	Ref. No.
4	542863	wall holder for riser pipe grey	P259(grey)
5	542864	bracket for spray gun grey	P260(grey)
6	542862	spring holder grey	P261(grey)



fig.	Part No.	description	Ref. No.
7	541915	wall holder for riser pipe chrome-plated	0E.P034.00.00
8	541916	bracket for spray gun chrome-plated	0E.P035.00.00 9000223
9	541917	spring holder chrome-plated	0E.P007.00.00



fig.	Part No.	description	Ref. No.
1	541918	adapter	0P.P274.00.00
2	547982	backflow preventer ø 15mm H 16mm Qty 1 pcs	—

suitable for KWC



fig.	Part No.	description	connection	Ref. No.
1	542076	spray gun	1/2" ET	Z.536.530.145



fig.	Part No.	description	Ref. No.
1	542890	filter for spray gun	Z.601.434
2	542886	screen ø 36mm H 4,2mm bore ø 1mm for spray gun	Z.636.518




fig.	Part No.	description	TS	RA (°)	application
1	542969	ceramic tap head	3/4"	90	cold/hot water
2	542888	non-return valve tap head	M20x1.25	-	cold/hot water
3	540305	tap head	M20x1.25	-	cold/hot water




fig.	Part No.	description	TS	RA (°)	application
4	535008	non-return valve tap head	M25x1.25	-	cold/hot water



fig.	Part No.	description
1	542898	lever handle suitable for KWC
2	542897	lever handle suitable for KWC shaft intake ø 7,5mm D1 ø 26mm shaft length H1 11mm H2 19mm type C1
3	542895	lever handle suitable for KWC shaft intake ø 9,5mm D1 ø 22mm shaft length H1 11mm H2 17mm type D1




fig.	Part No.	description
4	540308	star handle H2 27mm D1 ø 26mm type N suitable for KWC shaft intake ø 9,5mm



fig.	Part No.	description
1	535015	ceramic cartridge D1 ø 46mm D2 ø 35mm H1 46,5mm H2 54,5mm H3 76mm suitable for KWC
2	542976	union nut for ceramic cartridge

2 pre-rinse units





fig.	Part No.	description	fig.	Part No.	description
1	542975	handle for cartridge	2	542970	plastic insert



fig.	Part No.	description
1	542899	HU-spout L 300mm
2	542889	S spout




fig.	Part No.	description
3	542977	S spout spout projection 200mm
4	535503	S spout spout projection 300mm spout height 100mm S-spout 3/4"



fig.	Part No.	description	TS	version
1	542880	tap aerator	1/2"	-
2	542980	tap aerator	3/4"	with plastic insert
3	542881	tap aerator	M22x1	with plastic insert

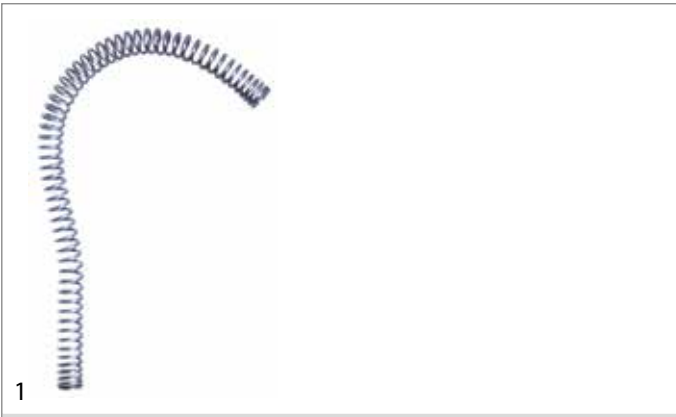


fig.	Part No.	description	material	H (mm)
1	548351	spring	stainless steel	660




fig.	Part No.	description	connections	L (mm)
1	540292 ¹	shower hose	1/2"	875
1	541812 ¹	shower hose	1/2"	1075
1	540070 ¹	shower hose	1/2"	1250
1	540224 ¹	shower hose	1/2"	1500

¹brass bush ¹brass bush



fig.	Part No.	description
1	542913	adaptor
2	542904	backflow preventer ø 16,5mm H 17,5mm Qty 1 pcs
3	540368	backflow preventer thread 3/8" L 27mm Qty 1 pcs




fig.	Part No.	description
4	542896	changeover valve set
5	542901	extension for wall holder thread M12 L 60mm
6	542902	extension for wall holder thread M12 L 90mm




fig.	Part No.	description
7	542908	gasket set for swivel spout
8	542884	hose protection
9	542903	ring ø 26mm for spray gun holder slotted





fig.	Part No.	description
10	542893	wall holder bore ø 26mm

pre-rinse units




suitable for MONOLITH




1

fig.	Part No.	description	connection
1	547500	spray gun	1/2" ET



1 2 3

fig.	Part No.	description	D1 ø (mm)	H1 (mm)
1	540452	ceramic cartridge	40	30
2	540450	ceramic cartridge	40	43
3	541403	ceramic cartridge	47	30.5



1

fig.	Part No.	description	handle length (mm)	intake	ø (mm)	for cartridge
1	540451	lever handle	58	10x10,6mm	53	ø40mm



1

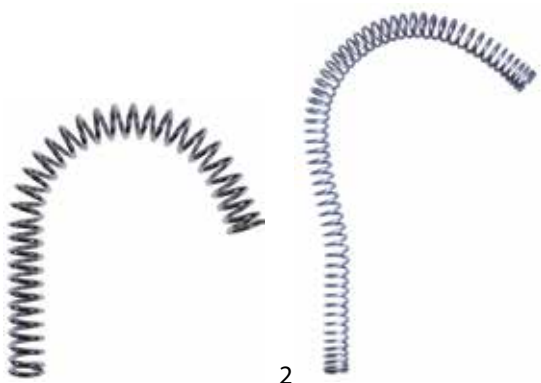
fig.	Part No.	description
1	547566	S spout spout projection 200mm spout height 120mm tube ø 18mm



1

fig.	Part No.	description	connections	L (mm)
1	542065 ¹	shower hose	1/2"	1000

¹PVC coated



1 2

fig.	Part No.	description	material	H (mm)
1	548288	spring	stainless steel	290
2	548351	spring	stainless steel	660



1 2 3

fig.	Part No.	description
1	592187	holder kit for riser pipe
2	547702	holder kit length wall holder 49-230mm with hexagon key 2,5mm
3	547704	hose protection

suitable for RIVER



1 2 3 4

fig.	Part No.	description	connection
1	548302	spray gun	1/2" ET
2	549249	spray gun	1/2" ET
3	548303	spray gun	1/2" ET
4	548300	spray gun	1/2" ET



1 2 3

fig.	Part No.	description	TS	RA (°)	application
1	548416	tap head	1/2"	-	cold/hot water
2	548414	ceramic tap head	1/2"	90	cold water
2	548425	ceramic tap head	1/2"	180	cold water
3	548415	ceramic tap head	1/2"	90	hot water
3	548424	ceramic tap head	1/2"	180	hot water





fig.	Part No.	description	version	application
1	548334	lever handle	for tap heads 1/2"	cold/hot water
2	547965	triangular handle	for tap heads 1/2" and 3/4"	cold/hot water




fig.	Part No.	description	D1 ø (mm)	H1 (mm)
1	540452	ceramic cartridge	40	30




fig.	Part No.	description	handle length (mm)	intake	ø (mm)
1	547787	lever handle	360	10x10,6mm	54




fig.	Part No.	description	tube ø (mm)	projection (mm)	spout height (mm)
1	545070	HU-spout	20	200	100
1	545071	HU-spout	20	250	130
1	545072	HU-spout	20	300	180




fig.	Part No.	description	connections	L (mm)
1	542063	shower hose	1/2"	630

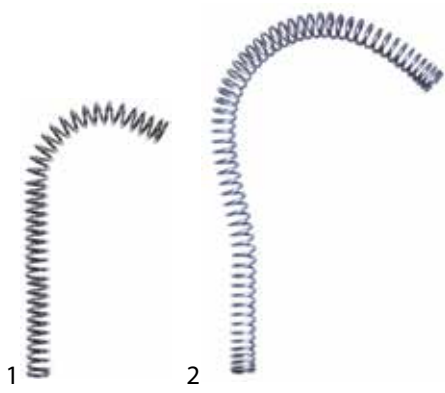


fig.	Part No.	description	material	H (mm)
1	548290	spring	stainless steel	410
2	548351	spring	stainless steel	660



fig.	Part No.	description
1	548309	bracket for spray gun
2	548311	spring holder




fig.	Part No.	description
3	548310	bracket for spray gun
4	548308	wall holder for pre-rinse unit

suitable for RUBINETTERIE DEL FRIULI



fig.	Part No.	description
1	548192	spray gun connection 1/2" ET black
2	540089	spray gun connection 1/2" ET type MILANO
3	540004	spray gun connection 1/2" ET type UDINE



fig.	Part No.	description	TS	RA (°)	application
1	548416	tap head	1/2"	-	cold/hot water
2	548414	ceramic tap head	1/2"	90	cold water
3	548415	ceramic tap head	1/2"	90	hot water




fig.	Part No.	description
1	548164	cross handle marking blue
2	548163	cross handle marking red
3	548165	screw cap suitable for RUBINETTERIE DEL FRIULI



fig.	Part No.	description
4	548210	lever handle ø 31,5mm for tap heads 1/2"
5	541533	handle cold water H 39,5mm blue ID ø 32,5mm
6	541534	handle hot water H 39,5mm red ID ø 32,5mm



fig.	Part No.	description
7	592180	hood handle for tap heads 1/2" and 3/4" cold water
8	592181	hood handle for tap heads 1/2" and 3/4" hot water




fig.	Part No.	description	handle length (mm)	intake	ø (mm)	for cartridge
1	540451	lever handle	58	10x10,6mm	53	ø40mm
2	547143	lever handle	180	10x10,6mm	51	ø40mm



fig.	Part No.	description
1	540196	HU-spout spout projection 200mm spout height 120mm
1	540197	HU-spout spout projection 250mm spout height 190mm
2	547566	S spout spout projection 200mm spout height 120mm




fig.	Part No.	description	connections	L (mm)
1	520466	flex hose	3/8" - M10x1	500
1	520465	flex hose	1/2" - M10x1	500




fig.	Part No.	description	connections	L (mm)
2	592222 ¹	shower hose	1/2"	630
2	540292 ¹	shower hose	1/2"	875
2	540066 ¹	shower hose	1/2"	1000
2	541812 ¹	shower hose	1/2"	1075
2	540070 ¹	shower hose	1/2"	1250

¹brass bush



fig.	Part No.	description	connections	L (mm)
3	542065 ¹	shower hose	1/2"	1000

¹PVC coated



fig.	Part No.	description
1	548351	spring for pre-rinse units ED ø 40mm ID ø 28mm H 660mm wire gauge ø 6mm stainless steel
2	548148	spring holder

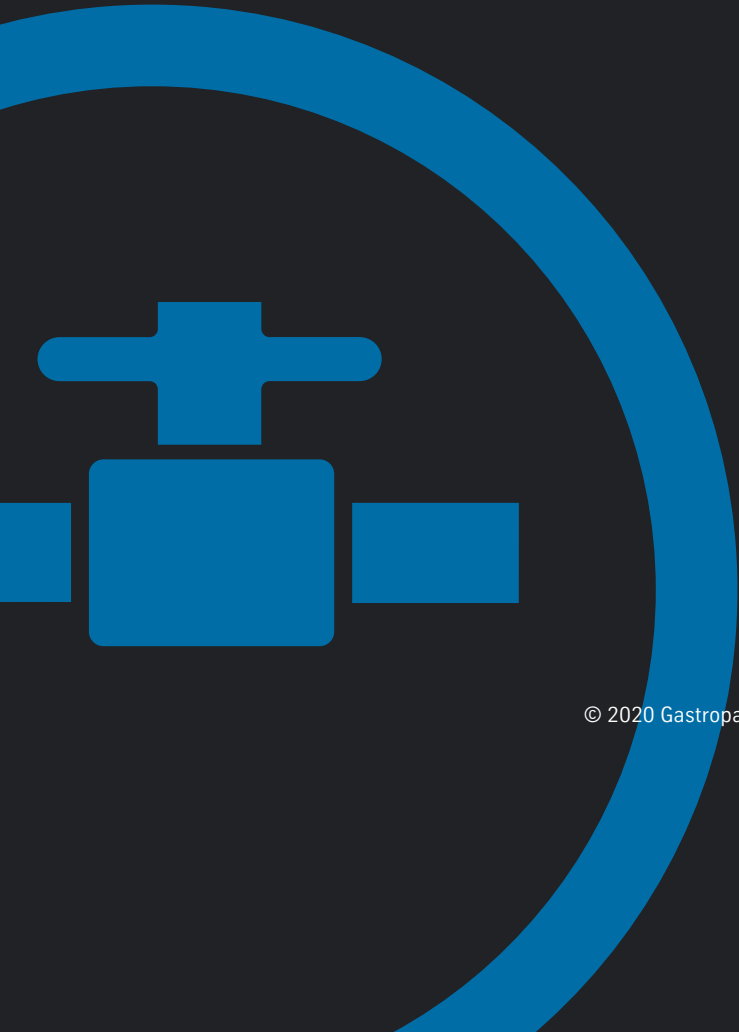


fig.	Part No.	description
1	548146	wall holder complete for riser pipe
2	548147	wall holder complete for riser pipe



fig.	Part No.	description
1	548198	backflow preventer ø 19mm H 17mm for eccentrics
2	547983	swivel tap for pre-rinse units without outlet

GASTROPARTS.COM



© 2020 Gastroparts Sp. J. All rights reserved.