



GASTROPARTS

Universal Catalogue › Water Technology ›

[EN] Drain systems and wash basins

[DE] Ablaufsysteme und Waschbecken

[ES] Sistemas de desagüe y lavabos

[FR] Systèmes de vidange et lavabos

[IT] Componenti per scarichi e lavandini

[PL] Systemy spustowe, umywalki

[RU] Системы слива и раковины

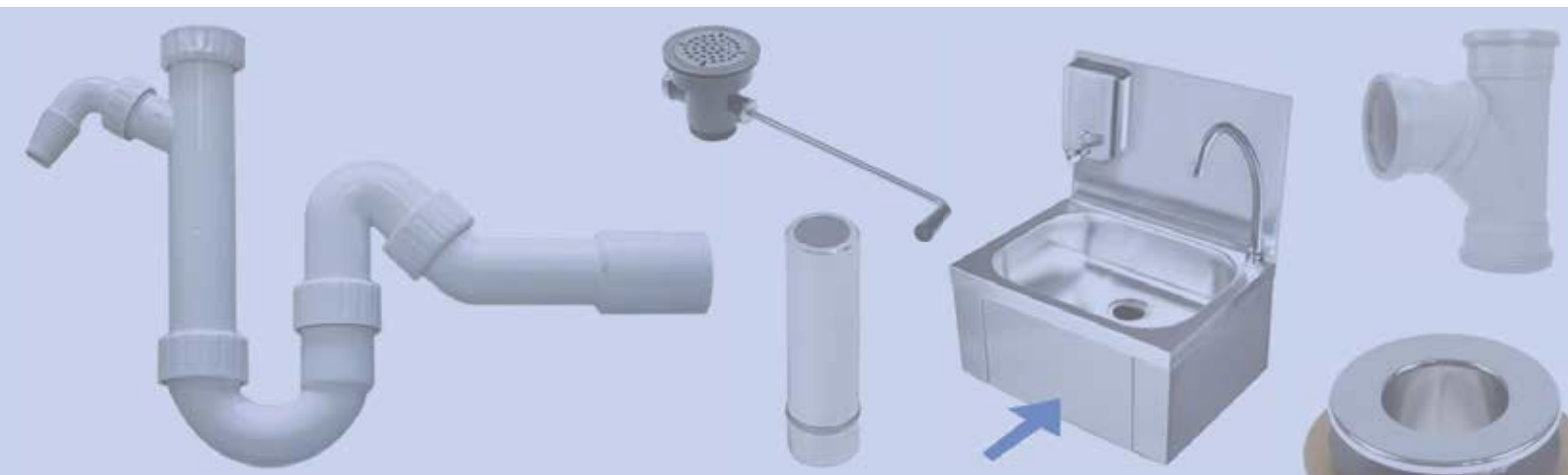
✉ gastroparts@gastroparts.com

☎ tel. +48 56 657 00 66

📘 fb.com/gastroparts.global

GASTROPARTS.COM





drain systems and wash basins

10

wash basins.	206
drain fittings.	207
standpipes.	207
drain valve connections.	210
HT drain pipes.	211
U-bends.	212
washbasin drain valves.	213



drain systems and wash basins

wash basins



fig.	Part No.	description
1	542124	hand-wash basin W 400mm D 320mm H 180mm basin 340x250x100mm stainless steel hole \varnothing 22mm
1	542138	hand-wash basin W 400mm D 320mm H 180mm basin 340x250x100mm stainless steel hole \varnothing 35mm



fig.	Part No.	description
2	542125	hand-wash basin W 400mm D 295mm H 230mm basin 340x250x100mm operation knee switch



fig.	Part No.	description
3	542153	hand-wash basin W 400mm D 295mm H 520mm basin 340x250x100mm operation knee switch



fig.	Part No.	description
4	542250 ¹	hand-wash basin stainless steel W 400mm D 320mm H 180mm basin 340x250x100mm

¹with sensor tap for mains or battery operation (6VDC/230VAC)

spare parts and accessories

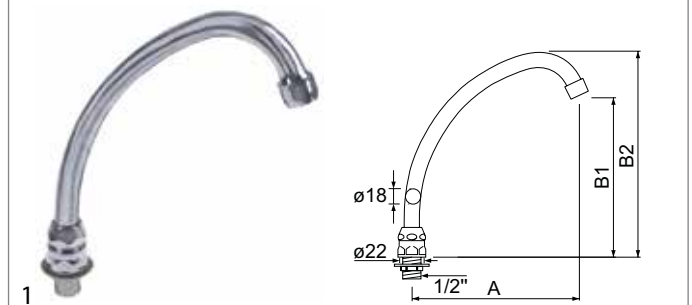


fig.	Part No.	description
1	547901	inlet spout connection 1/2" ET tube \varnothing 18mm spout projection 200mm overall height 240mm

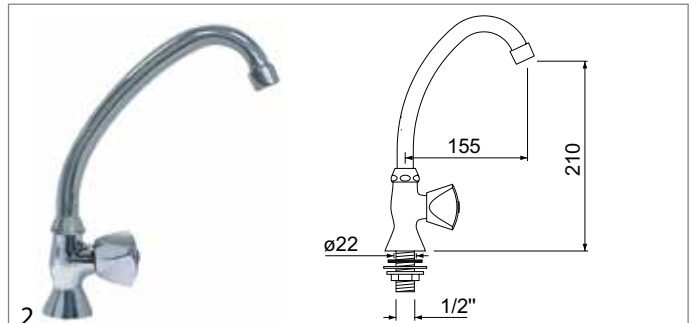


fig.	Part No.	description
2	540332	pillar tap tap head 1/2" spout length 155mm spout height 210mm connection 1/2" HU-spout

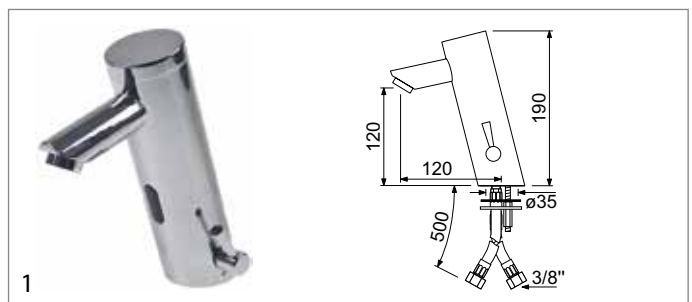


fig.	Part No.	description
1	542181	sensor tap for mains or battery operation 6VDC/230VAC with lever mixer projection 140mm



fig.	Part No.	description
1	515141	drain fitting size 1 1/2" ED ø 70mm SS/plastic with plug
2	542259	soap dispenser W 115mm D 53mm H 175mm SS

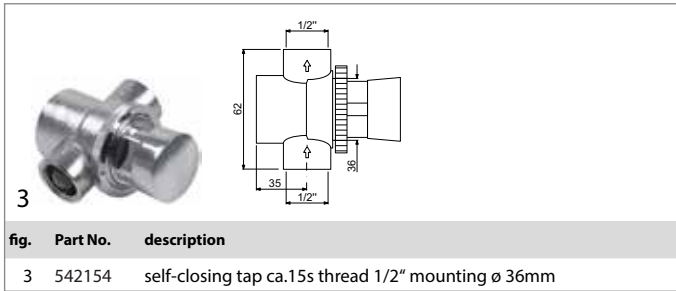


fig.	Part No.	description
3	542154	self-closing tap ca.15s thread 1/2" mounting ø 36mm

drain fittings

universal



fig.	Part No.	size	overall height (mm)	ED ø (mm)	material
1	515040	1/2"	16	28	chrome-plated brass
1	515044	1/2"	21	28	chrome-plated brass
2	515041	3/4"	30	38	chrome-plated brass
2	540277	1 1/4"	36	59	chrome-plated brass
2	515042	1 1/2"	32	69	chrome-plated brass
2	515045	1 1/2"	41	70	chrome-plated brass
2	515043	2"	31	74	chrome-plated brass
3	515089	1 1/2"	40	71	stainless steel

producer-specific

Acopa



fig.	Part No.	description	Ref. No.
1	515087	drain fitting thread 1/2" ET internal hexagon H 12mm with O-ring ED ø 24mm WS 10	23015

Afinox




fig.	Part No.	description	Ref. No.
1	694768	drain fitting thread M20x1.75 plastic ø 20mm ID ø 14mm with union nut	74701511

Rieber




fig.	Part No.	description	Ref. No.
1	540670	drain fitting thread 1/2" SS H 15mm ED ø 28mm	32400707

standpipes

3/4"




fig.	Part No.	size	usable height (mm)	overall height (mm)	ED ø (mm)	material
1	515041	3/4"	-	30	38	chrome-plated brass
2	515047	3/4"	28	54	20	chrome-plated brass
2	515118	3/4"	38	64	20	chrome-plated brass
2	515048	3/4"	48	74	20	chrome-plated brass
2	515049	3/4"	68	94	20	chrome-plated brass
2	515050	3/4"	98	124	20	chrome-plated brass

1 1/4"



fig.	Part No.	size	usable height (mm)	overall height (mm)	ED ø (mm)	material
1	515042	1 1/2"	-	32	69	chrome-plated brass
2	540279	1 1/4"-1 1/2"	165	175	30	SS
2	540280	1 1/4"-1 1/2"	210	220	30	SS
2	540281	1 1/4"-1 1/2"	265	275	30	SS



1½"



fig.	Part No.	size	usable height (mm)	overall height (mm)	ED ø (mm)	material
1	515042	1½"	-	32	69	chrome-plated brass
2	515051	1½"	170	185	40	SS
2	515052	1½"	220	235	40	SS
2	515053	1½"	260	275	40	SS
2	515054	1½"	310	325	40	SS



fig.	Part No.	size	usable height (mm)	overall height (mm)	ED ø (mm)	material
1	515042	1½"	-	32	69	chrome-plated brass
2	515029	1½"	200	220	40	chrome-plated brass
2	515031	1½"	235	255	40	chrome-plated brass
2	515030	1½"	270	290	40	chrome-plated brass



fig.	Part No.	size	usable height (mm)	overall height (mm)	ED ø (mm)	material
1	515042	1½"	-	32	69	chrome-plated brass
2	515119	1½"	200	240	32	chrome-plated brass
2	515124	1½"	300	340	32	chrome-plated brass



fig.	Part No.	size	usable height (mm)	overall height (mm)	ED ø (mm)	material
1	515042	1½"	-	32	69	chrome-plated brass
2	515062	1½"	190	200	46	chrome-plated brass
2	515063	1½"	230	240	46	chrome-plated brass
2	515064	1½"	280	290	46	chrome-plated brass



fig.	Part No.	size	usable height (mm)	overall height (mm)	ED ø (mm)	material
1	515089	1½"	-	40	71	stainless steel
2	515106	1½"	210	245	48	SS/plastic
2	515107	1½"	260	295	48	SS/plastic
2	515108	1½"	310	340	48	SS/plastic
2	515135	1½"	160	195	48	SS/plastic



2"



fig.	Part No.	size	usable height (mm)	overall height (mm)	ED ø (mm)	material
1	515043	2"	-	31	74	chrome-plated brass
2	515055	2"	170	190	50	SS
2	515056	2"	220	240	50	SS
2	515057	2"	260	280	50	SS
2	515058	2"	310	330	50	SS



fig.	Part No.	size	usable height (mm)	overall height (mm)	ED ø (mm)	material
1	515043	2"	-	31	74	chrome-plated brass
2	515065	2"	185	200	46	chrome-plated brass
2	515066	2"	235	250	46	chrome-plated brass
2	515067	2"	295	310	46	chrome-plated brass

producer-specific

ALPENINOX



fig.	Part No.	description	Ref. No.
1	501354	drain fitting thread M35x2 brass ø 45mm H 25mm ID ø 30mm	—
2	510597	flat gasket fibre D1 ø 34mm D2 ø 24mm thickness 2mm Qty 1 pcs	—
3	501355	nut thread M35x2 H 8mm WS 41 steel	—
4	540969	overflow pipe ø 20mm L 85mm	—

BARON



fig.	Part No.	description	Ref. No.
1	691388	overflow pipe ø 20mm L 115mm	41822160210

ELECTROLUX



fig.	Part No.	description	Ref. No.
1	501354	drain fitting thread M35x2 brass ø 45mm H 25mm ID ø 30mm	032244
2	510597	flat gasket fibre D1 ø 34mm D2 ø 24mm thickness 2mm Qty 1 pcs	050296
3	501355	nut thread M35x2 H 8mm WS 41 steel	032245
4	540969	overflow pipe ø 20mm L 85mm	0A5181



EMAINOX



fig.	Part No.	description	Ref. No.
1	515060	drain fitting thread 3/4" H 18mm ID ø 20mm ED ø 38mm	3600077
2	504618	O-ring EPDM thickness 2,62mm ID ø 15,54mm Qty 1 pcs	3600035
3	515048	standpipe size 3/4" usable height 48mm overall height 74mm ED ø 20mm chrome-plated brass	2300567

FAGOR



fig.	Part No.	description	Ref. No.
1	515041	drain fitting size 3/4" overall height 30mm ED ø 38mm chrome-plated brass	12000168
2	691024	overflow pipe L 165mm ø 20mm	12019791

GICO



fig.	Part No.	description	Ref. No.
1	515116	drain fitting thread M36x2 H 20mm ID ø 30mm complete with overflow pipe ED ø 45mm WS 41	270122320

LAVINOX



fig.	Part No.	description	Ref. No.
1	515133	drain fitting size 1 1/2" SS	0830318600
2	515134	standpipe size 1 1/2" usable height 225mm overall height 250mm ED ø 40mm SS	0515373900

MARENO



fig.	Part No.	description	Ref. No.
1	515042	drain fitting size 1 1/2" overall height 32mm ED ø 69mm chrome-plated brass	MA1031402200
2	515086	standpipe usable height 135mm overall height 150mm size 1 1/2" SS ED ø 40mm	MA1031402300

ZANUSSI



fig.	Part No.	description	Ref. No.
1	501354	drain fitting thread M35x2 brass ø 45mm H 25mm ID ø 30mm	032244
2	510597	flat gasket fibre D1 ø 34mm D2 ø 24mm thickness 2mm Qty 1 pcs	050296
3	501355	nut thread M35x2 H 8mm WS 41 steel	032245
4	540969	overflow pipe ø 20mm L 85mm	0A5181

drain valve connections



fig.	Part No.	material	TS	HCo (mm)	fig.	Part No.	material	TS	HCo (mm)
1	515033	brass	1"	26	2	515093	plastic	1 1/4"	32
1	515034	brass	1 1/4"	26	2	515094	plastic	1 1/2"	40
1	515035	brass	1 1/2"	38	3	515036	plastic	1 1/4"	40



fig.	Part No.	material	TS	HCo (mm)	fig.	Part No.	material	TS	HCo (mm)
4	515095	plastic	1 1/4"	50	5	515098	plastic	1 1/2"	40
4	515037	plastic	1 1/2"	40	6	515099	plastic	1 1/4"	32
4	515096	plastic	1 1/2"	50	7	515100	plastic	1 1/2"	40
5	515097	plastic	1 1/4"	32					



HT drain pipes

HT bends



fig.	Part No.	NS	connection	version
1	515150	DN40	1 sleeve + pipe	0-90° continuously adjustable
1	515151	DN50	1 sleeve + pipe	0-90° continuously adjustable
2	515152	DN40	1 sleeve + pipe	45-90° continuously adjustable
2	515153	DN50	1 sleeve + pipe	45-90° continuously adjustable



fig.	Part No.	NS	connection	version
3	515161	DN40	2 sleeves	45-90° continuously adjustable
3	515162	DN50	2 sleeves	45-90° continuously adjustable

HT branches



fig.	Part No.	NS	connection	version
1	515163	DN40	3 sleeves	45-90° continuously adjustable
1	515164	DN50	3 sleeves	45-90° continuously adjustable
2	515149	DN50	2 sleeves+ pipe	45-90° continuously adjustable

HT reducers



fig.	Part No.	NS	fig.	Part No.	NS
1	515158	DN50/40	2	515160	DN50/40

rubber sleeves



fig.	Part No.	ED ø (mm)	ID ø (mm)	fig.	Part No.	ED ø (mm)	ID ø (mm)
1	515085	40	20-32	3	515084	50	25-32
2	515083	50	40				

hose nipples



fig.	Part No.	DN (mm)	for hose ID (mm)
1	515145	32	8/10/13/19/25
1	515144	40	8/10/13/19/25
1	515143	50	8/10/13/19/25
2	515147	40	8/10/13/19/25



fig.	Part No.	DN (mm)	for hose ID (mm)
3	515146	50	19/21

HT connection hoses



fig.	Part No.	NS	L (mm)
1	515154	DN50 - DN40/50	250
1	515155	DN50 - DN40/50	500
1	515156	DN50 - DN40/50	750
1	515157	DN50 - DN40/50	1000



HT telescopic pipes



fig.	Part No.	NS	L (mm)
1	515159	DN50	250-400

U-bends



fig.	Part No.	TS	outflow distance max. (mm)	spout ø (mm)
1	515006	-	150	40
2	515007	-	150	50



fig.	Part No.	TS	outflow distance max. (mm)	spout ø (mm)
3	515015	1½"	150	40
4	515120	1½"	150	40



fig.	Part No.	TS	outflow distance max. (mm)	spout ø (mm)
5	515009	1½"	150	50
5	515008	1½"	240	40
6	515001	1½"	240	50



fig.	Part No.	TS	outflow distance max. (mm)	spout ø (mm)
1	515002	1½"	260	40
1	515003	1½"	260	50



fig.	Part No.	TS	outflow distance max. (mm)	spout ø (mm)
2	515121	1½"	540	40



fig.	Part No.	TS	outflow distance max. (mm)	spout ø (mm)
3	515004	1½"	630	40
3	515005	1½"	630	50



fig.	Part No.	description
1	515011	U-bend basins 1 thread 1½" single ø 40mm PP H 80mm
2	515122	drain connection thread 1½" hose ø 50mm



fig.	Part No.	description
3	515110	drain connection dishwasher
4	515032	funnel ø 40mm for U-bend
5	515012	U-bend tube thread 1½" with hose connection ø 40mm straight L 200mm

fig.	Part No.	description
6	515013	U-bend tube thread 1½" ø 40mm L 160mm
7	515123	U-bend tube thread 1½" ø 40mm L 200mm

fig.	Part No.	description
8	515014	U-bend tube thread 1½" with hose connection ø 40mm L 100mm
9	515010	drain fitting basins 1 with overflow ø 1½"mm

fig.	Part No.	description
10	520045	U-bend tube thread 1" with hose connection
11	520044	U-bend tube thread 1" with hose connection

fig.	Part No.	description
12	515081	drain hose DN35 L 400mm straight ø inside 35mm straight ext. ø 40mm connection 1½"
12	515082	drain hose DN35 L 750mm straight ø inside 35mm straight ext. ø 40mm connection 1½"

fig.	Part No.	description
13	515102	reducer IT 1 1/4" ET 1" plastic
13	515103	reducer IT 1 1/2" ET 1 1/4" plastic
14	515101	reducer IT 1" ET 1 1/4" plastic
14	515104	reducer IT 2" ET 1 1/2" plastic
15	515038	reducer IT 1 1/4" ET 1" chrome-plated brass
15	515039	reducer IT 1 1/2" ET 1 1/4" chrome-plated brass

washbasin drain valves

drain valves

fig.	Part No.	TS	material
1	548947	1½"	nickel-plated brass
2	515136	2"	nickel-plated brass

fig.	Part No.	TS	material
3	515126	2"	plastic
4	515125	2"	nickel-plated brass



5

Technical drawing dimensions:
 - Max height: max 455
 - Drain hole diameter: $\varnothing 69$
 - Valve body diameter: $\varnothing 87$
 - Valve body diameter: $\varnothing 112$
 - Valve body height: 113
 - Valve body depth: 63
 - Valve body width: 19
 - Valve body diameter: 2"
 - Max width: max 485
 - Valve body diameter: 260

fig.	Part No.	TS	material
5	515130	2"	nickel-plated brass

accessories

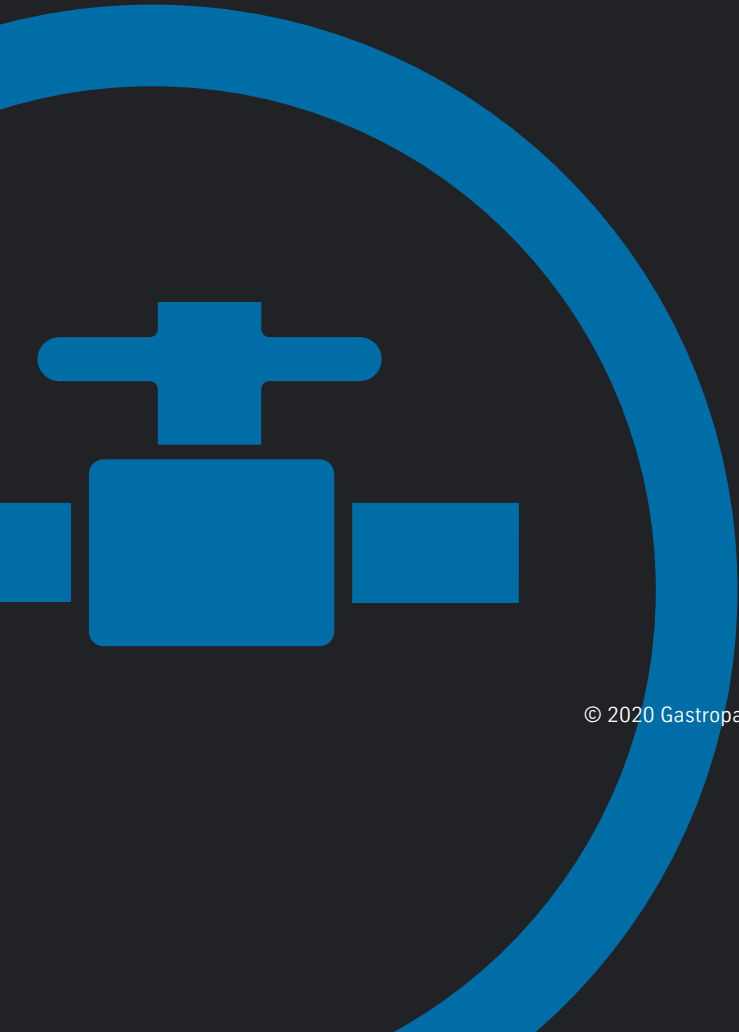
1

fig.	Part No.	description
1	548492	bar for washbasin drain valve L 340mm \varnothing 4mm

2

fig.	Part No.	description
2	548494	joint for washbasin drain valve

GASTROPARTS.COM



© 2020 Gastroparts Sp. J. All rights reserved.