



GASTROPARTS

Universal Catalogue › Mechanical Components ›

[EN] Locks and fittings

[DE] Verschlüsse und Beschläge

[ES] Herraje

[FR] Serrures et Ferrures

[IT] Ferramenta

[PL] Zamknięcia, okucia

[RU] Замки

✉ gastroparts@gastroparts.com

☎ tel. +48 56 657 00 66

📘 fb.com/gastroparts.global

GASTROPARTS.COM



edgmount latches

push button latches

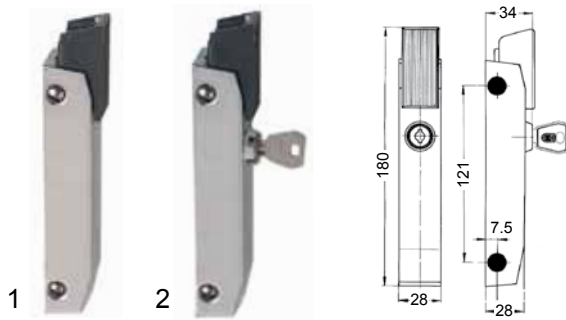


fig.	part no.	description	type
1	700045	latch non lockable	6186
2	690023	latch lockable	6186



fig.	part no.	description	type
1	700776	latch non lockable	6188
2	700777	latch lockable	6188
3	700778	latch non lockable	6188
4	700779	latch lockable	6188



fig.	part no.	description	for type
1	700046	plastic handle with spring	6186
2	700050	strike 5mm	6186
3	700051	pendulum strike	6186
4	690108	spacer	6186
5	690109	spacer 1mm	6186

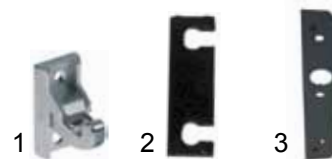


fig.	part no.	description	for type
1	700082	strike 5mm adjustable	6188/6189
2	690110	spacer 1mm	6188/6189
2	690111	spacer 2mm	6188/6189
2	690947	spacer 5mm	6188/6189
3	690114	tilt spacer	6188/6189

latch without handle



fig.	part no.	description	type
1	690017	latch non lockable	6189
2	690018	latch lockable	6189

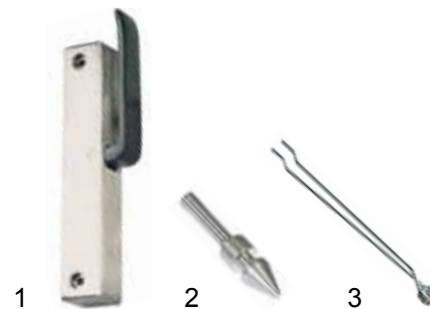


fig.	part no.	description	suitable for
1	700458	latch non lockable for heated units	Zanussi
2	700461	strike	Zanussi
3	700439	spring	Zanussi

handle latches

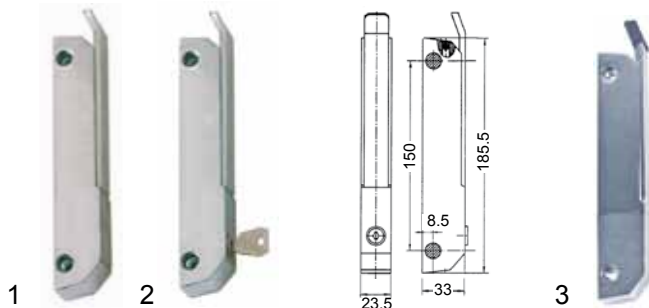


fig.	part no.	description	type
1	700081	latch non lockable	6188
2	690016	latch lockable	6188
3	690808	latch non lockable for hot applications	6188

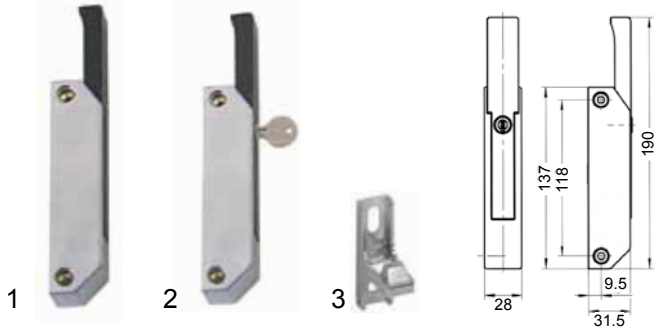


fig.	part no.	description	type
1	690124	latch non lockable	3.30.0501.0
2	700077	latch lockable	3.30.0500.0
3	700078	strike	

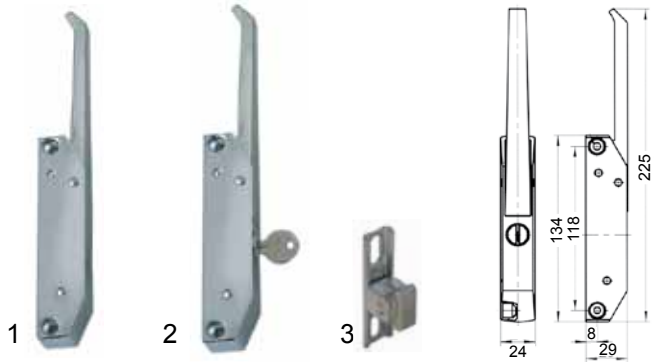


fig.	part no.	description	type
1	690809	latch non lockable	3.30.0157.0
2	700088	latch lockable	3.30.0155.0
3	690121	strike	

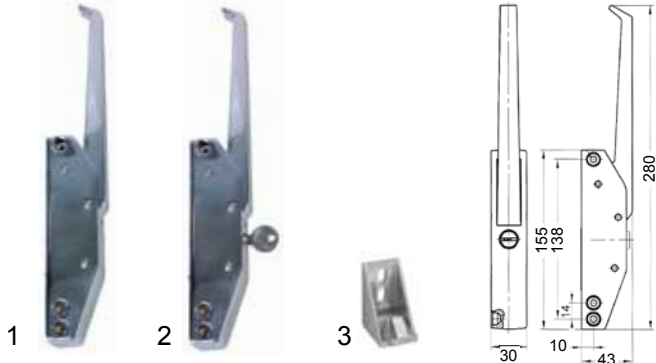


fig.	part no.	description	type
1	700373	latch non lockable	3.30.0163.0
2	690122	latch lockable	3.30.0160.0
3	700064	strike	3.30.0161.0

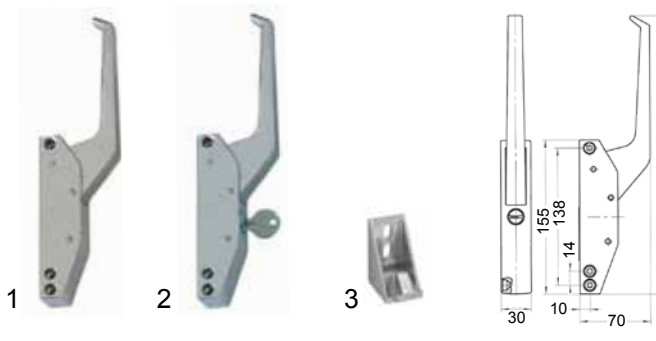


fig.	part no.	description	type
1	700063	latch non lockable	3.30.0164.0
2	700392	latch lockable	3.30.0162.0
3	700064	strike	3.30.0161.0

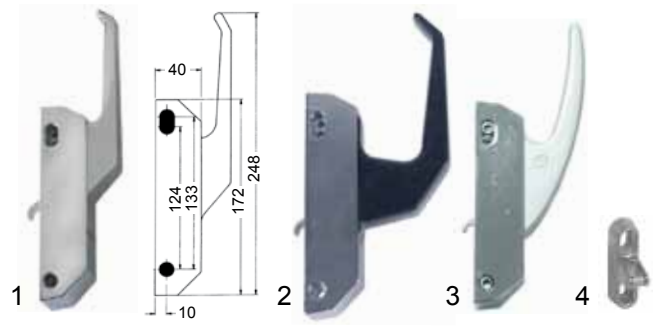
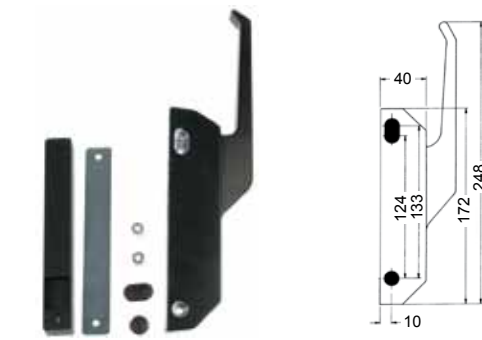


fig.	part no.	description	type
1	690024	latch non lockable	6201-020001
2	690146	latch non lockable for hot applications 2-stage opening	6200-020961
3	690536	latch non lockable for hot applications 2-stage opening	6200
4	690123	strike	6200-020921



no.	part no.	description	type
1	690438	magnetic latch assembly	6202-020100



fig.	part no.	description	suitable for
1	700467	latch non lockable	Zanussi
2	693937	door handle	Zanussi
3	700468	strike	Zanussi

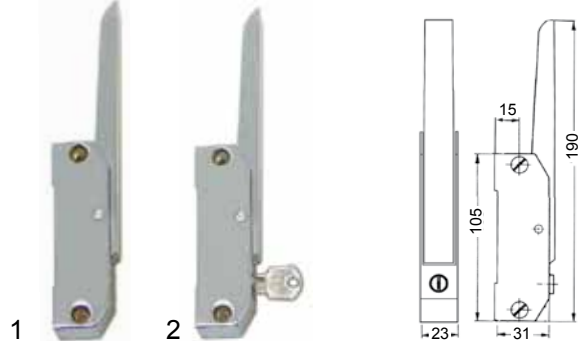


fig.	part no.	description	type
1	690012	latch non lockable	2074.130.20
2	690011	latch lockable	2074.132.20



fig.	part no.	description	type
1	690013	strike 5 mm	2074
1	690014	strike 10 mm	2074
1	690015	strike 15 mm	2074
2	690307	strike	2086

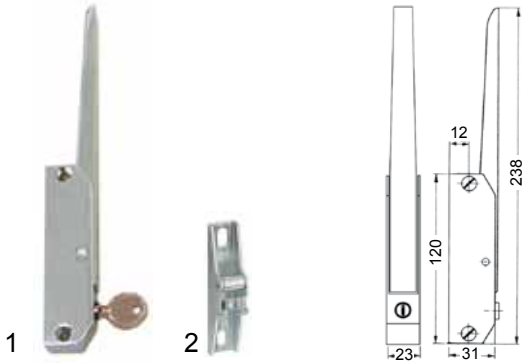


fig.	part no.	description	type
1	690217	latch lockable	1647.112.20
2	690325	strike	2048.155.70

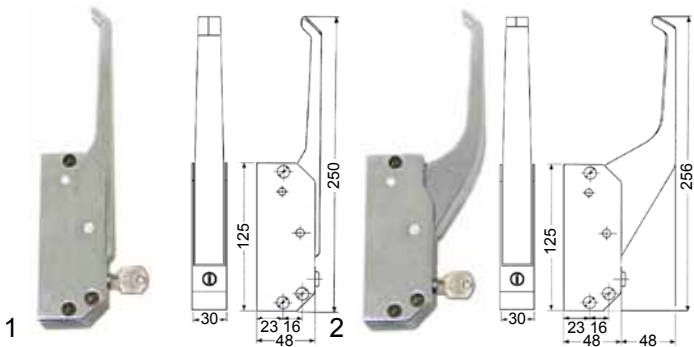


fig.	part no.	description	type
1	690218	latch lockable	2024.133.20
2	690219	latch lockable	2025.133.20
-	690309	strike	2024/2025

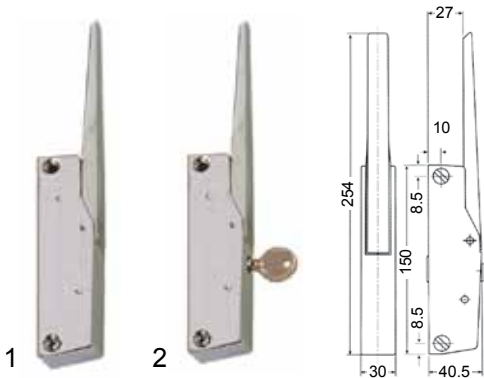


fig.	part no.	description	type
1	690412	latch non lockable	790
2	690413	latch lockable	795

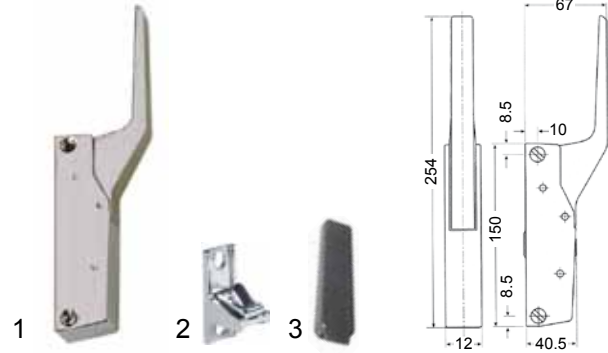


fig.	part no.	description	type
1	700060	latch non lockable for hot applications	791(H)
2	700061	strike (for heated units)	
3	700062	cover for handle	

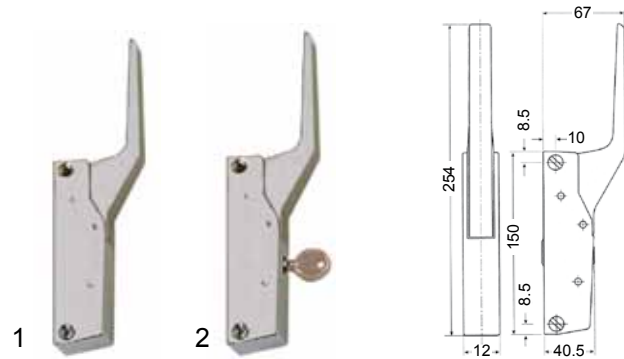


fig.	part no.	description	type
1	690414	latch non lockable	791
2	690415	latch lockable	796

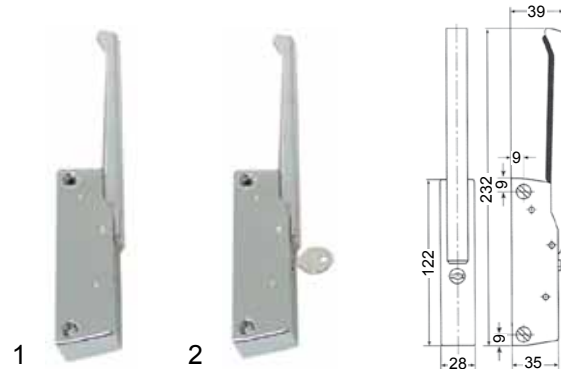


fig.	part no.	description	type
1	690406	latch non lockable	780
2	690407	latch lockable	785

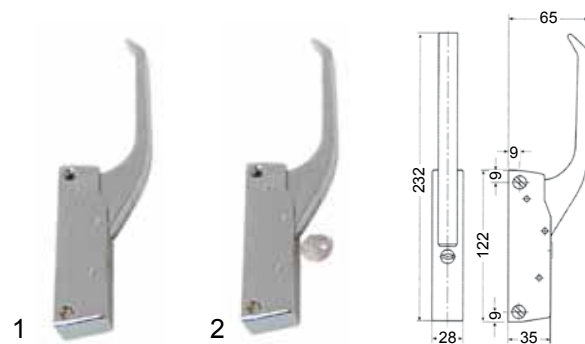


fig.	part no.	description	type
1	690408	latch non lockable	781
2	690409	latch lockable	786

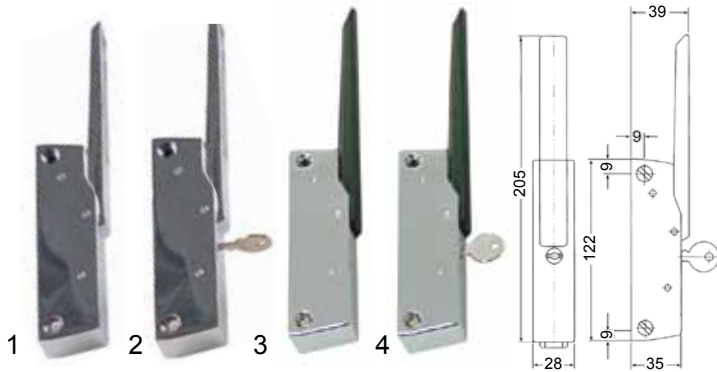


fig.	part no.	description	type
1	700557	latch non lockable	880
2	700556	latch lockable	885
3	690416	latch non lockable	880PV
4	690417	latch lockable	885PV

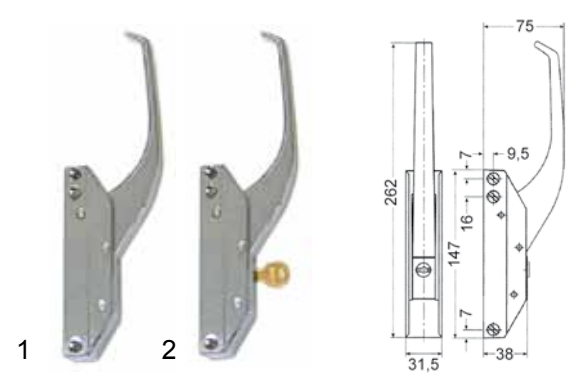


fig.	part no.	description	type
1	690205	latch non lockable	691
2	690410	latch lockable	696

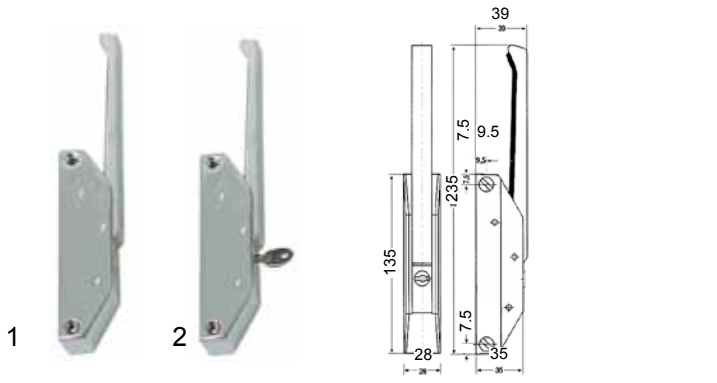


fig.	part no.	description	type
1	690400	latch non lockable	680
2	690401	latch lockable	685

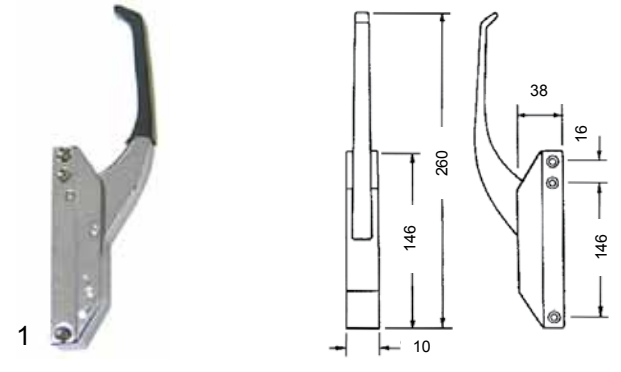


fig.	part no.	description	type
1	690178	latch non lockable	R35.3105X

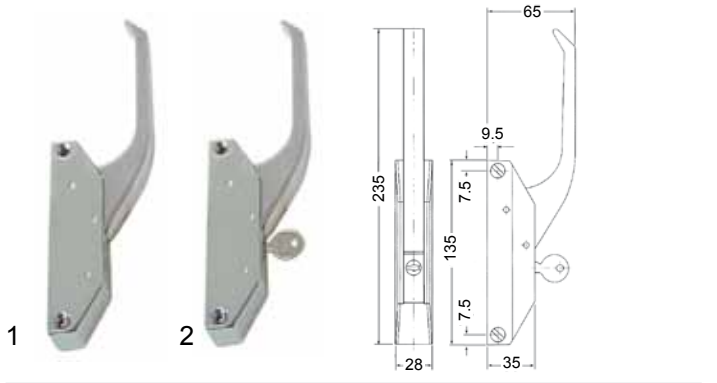


fig.	part no.	description	type
1	690402	latch non lockable	681
2	690403	latch lockable	686



no.	part no.	description	type
1	690519	latch lockable	3045

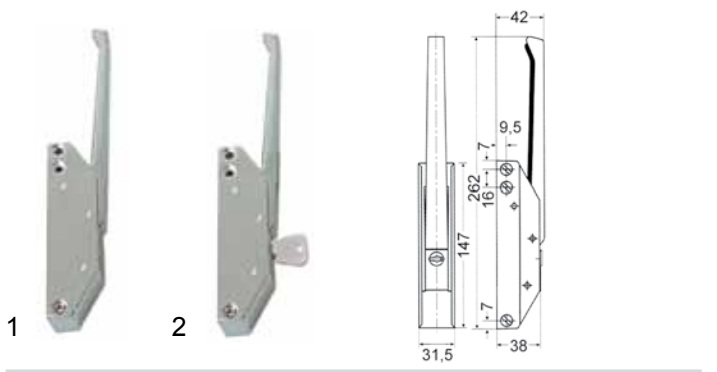


fig.	part no.	description	type
1	690404	latch non lockable	690
2	690405	latch lockable	695

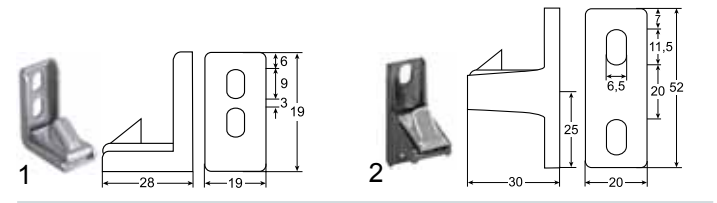


fig.	part no.	description	outline
1	690418	strike, zinc-plated	A
2	690419	strike, support polyamide	Y

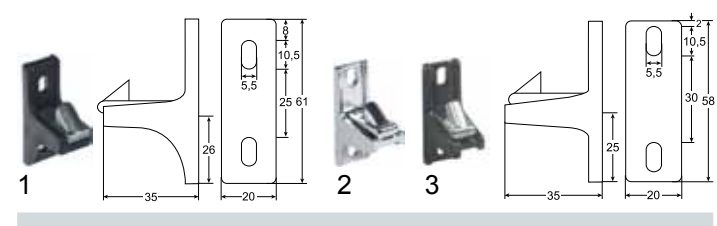


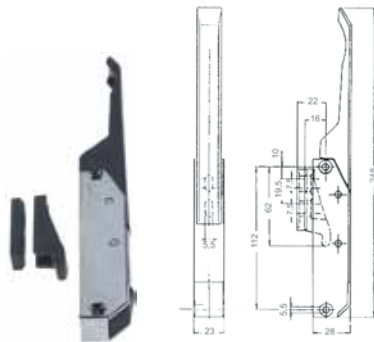
fig.	part no.	description	outline
1	700550	strike, support plastic	Z
2	700061	strike for hot applications	K
3	700435	strike	K



fig.	part no.	description	type
1	690454	latch non lockable complete with strike	560
2	690455	latch non lockable complete with strike	570
3	690456	latch lockable complete with strike	571



fig.	part no.	description	type
1	690428	strike 16.5mm	
1	690429	strike 25.5mm	
2	690445	spacer 2mm	
2	690446	spacer 5mm	



no.	part no.	description	type
1	694080	latch complete with strike	5244L



no.	part no.	description	type
1	690876	eccentric latch	0748

magnetic latches

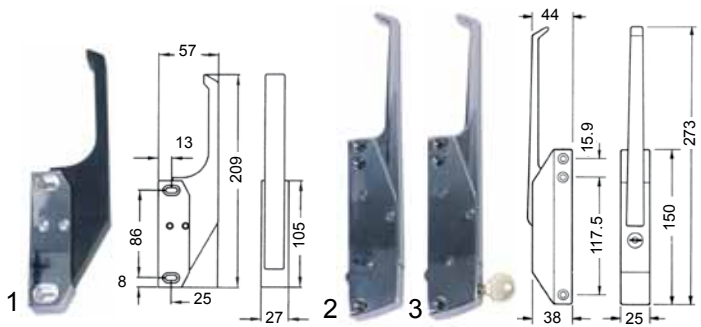
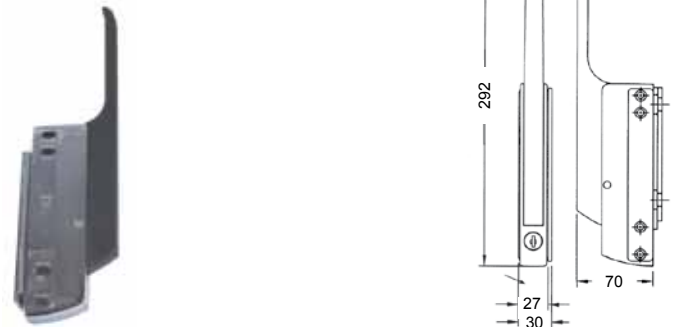


fig.	part no.	description	type
1	690213	latch non lockable	R27
2	690206	latch non lockable	R24
3	690207	latch lockable	R24



no.	part no.	description	type
1	700728	latch non lockable	R25

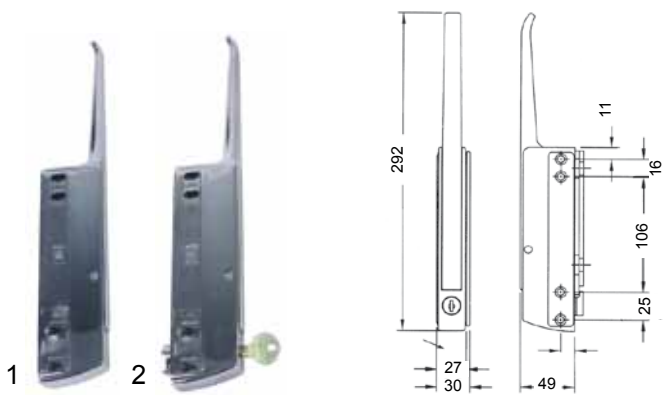


fig.	part no.	description	type
1	690208	latch non lockable	R25
2	690209	latch lockable	R25



no.	part no.	description	type
1	690438	latch non lockable	6202-020100

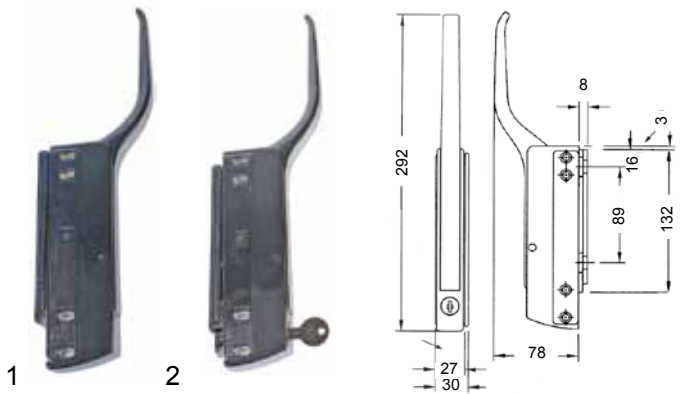


fig.	part no.	description	type
1	700726	latch non lockable	R25
2	700727	latch lockable	R25

drawer latches



fig.	part no.	description	type
1	700036	latch lockable right/left	3.30.0510
2	700037	latch non lockable right/left	3.30.0511



fig.	part no.	description	type
1	700038	latch lockable right/left	3.30.0515
2	700039	latch non lockable right/left	3.30.0516



fig.	part no.	description	type
1	690220	latch lockable left	3.30.0513
2	690221	latch non lockable right	3.30.0514



fig.	part no.	description	type
1	690222	latch lockable left	3.30.0518
2	690223	latch non lockable right	3.30.0519



fig.	part no.	description
1	700078	strike
2	690005	handle rod 480mm
2	690006	handle rod 560mm
2	690007	handle rod 580mm
2	690008	handle rod 630mm
2	690009	handle rod 1000mm



1 cover metal chrome
2 cover metal RAL black
3 cover plastic black

fig.	part no.	description	type
1	690020	latch lockable right/left	6190
1	690019	latch non lockable right/left	6190
2	700782	latch lockable right/left	6190
2	700783	latch non lockable right/left	6190
3	700780	latch lockable right/left	6190
3	700781	latch non lockable right/left	6190

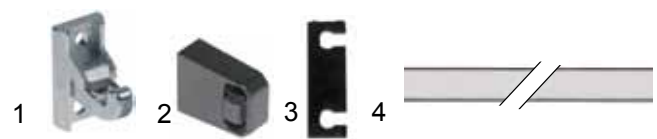


fig.	part no.	description
1	700082	strike
2	690047	console plastic
2	690200	console metal
3	690110	spacer 1mm
3	690111	spacer 2mm
3	690947	spacer 5mm
4	690021	handle rod 1000mm



fig.	part no.	description	type
1	690396	latch lockable right/left	6190
2	690397	latch non lockable right/left	6190



fig.	part no.	description
1	700082	strike
2	690105	console plastic
3	690110	spacer 1mm
3	690111	spacer 2mm
3	690947	spacer 5mm
4	690398	handle rod (round pipe)1000mm

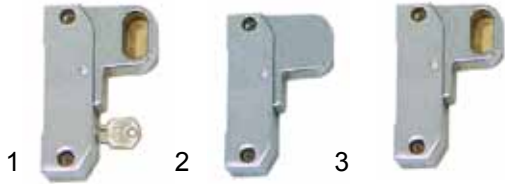


fig.	part no.	description	type
1	690225	latch lockable right	2087
2	690226	latch non lockable left	2087
3	690224	latch non lockable right	2087



fig.	part no.	description	suitable for
1	700788	latch lockable right	Hagola
2	700789	latch non lockable left	Hagola

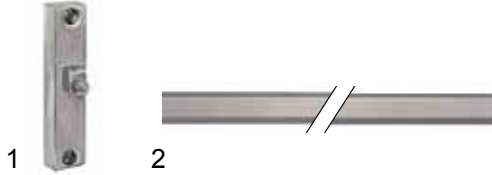


fig.	part no.	description
1	690307	strike
2	690005	handle rod 480mm
2	690006	handle rod 560mm
2	690007	handle rod 580mm
2	690008	handle rod 630mm
2	690009	handle rod 1000mm

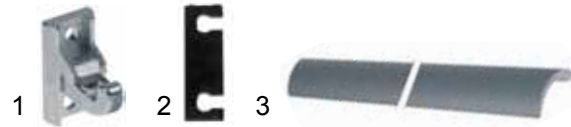


fig.	part no.	description
1	700082	strike
2	690110	spacer 1mm
2	690111	spacer 2mm
2	690947	spacer 5mm
3	700790	handle rod (half-round) 515mm

face-mount latches

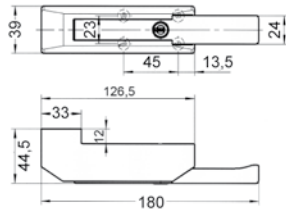


fig.	part no.	description	type
1	690228	latch lockable right/left	3.30.0450
1	690229	latch non lockable right/left	3.30.0451
2	690244	strike 20mm	
2	690245	strike 24mm	
2	690246	strike 28mm	
2	690247	strike 32mm	

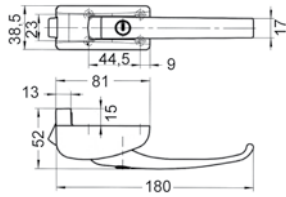


fig.	part no.	description	type
1	690227	latch lockable right/left	3.30.0130
2	690240	strike 20mm	
2	690241	strike 24mm	
2	690242	strike 28mm	
2	690243	strike 32mm	

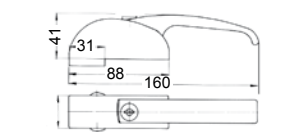


fig.	part no.	description	type
1	690235	latch lockable right/left	6180
2	690236	strike adjustable 19-32mm	

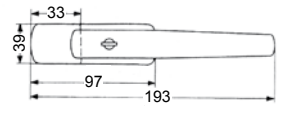


fig.	part no.	description	type
1	690215	latch lockable right/left	1653
2	690300	strike 20mm	
2	690301	strike 24mm	
2	690302	strike 28mm	
2	690303	strike 32mm	

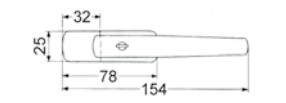


fig.	part no.	description	type
1	690216	latch lockable right/left	649
2	690304	strike 20mm	
2	690305	strike 24mm	
2	690306	strike 28mm	

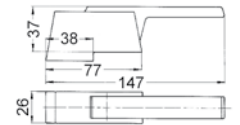


fig.	part no.	description	type
1	700657	latch non lockable right/left	6172
2	700772	strike adjustable 18-32mm	

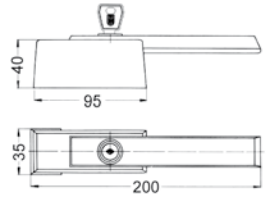


fig.	part no.	description	type
1	690234	latch lockable right/left	6183
2	700773	strike adjustable 20-28mm	
2	690233	strike adjustable 28-32mm	

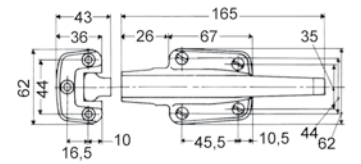


fig.	part no.	description	type
1	700588	latch non lockable right/left	651
2	700587	strike adjustable 18-30mm	

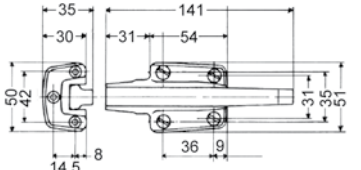


fig.	part no.	description	type
1	700590	latch non lockable right/left	652
2	700589	strike adjustable 14-30mm	

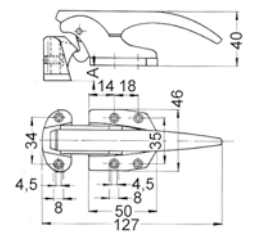


fig.	part no.	description	type
1	700658	latch non lockable right/left	6770
2	700774	strike adjustable	

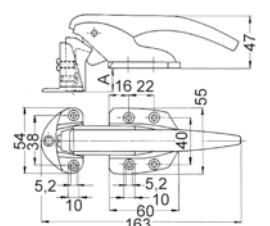


fig.	part no.	description	type
1	700659	latch non lockable right/left	6780
2	700775	strike adjustable	

espagnolette locks



fig.	part no.	description	suitable for	equiv. no.
1	514316	door handle	Foinox Bertos	3700.2 25605100
2	690862	latch gear	Foinox Bertos	3747 25878100
3	690829	bush	Foinox Bertos	3736.1
4	691637	roll pin	Foinox Bertos	3780
5	690828	bush	Foinox Bertos	3734
6	514317	disc	Foinox Bertos	3754 25938600

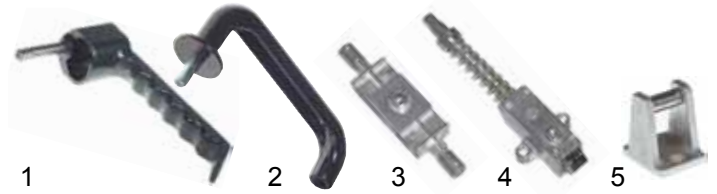


fig.	part no.	description	suitable for	equiv. no.
1	693773	door handle	Electrolux	0K2345
2	693752	door handle	Electrolux	0H6729
3	690042	latch gear	Electrolux	0H6928
4	690041	latch	Electrolux	0K2246
5	700490	strike	Electrolux	0K2247

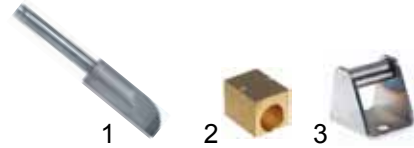


fig.	part no.	description	suitable for	equiv. no.
1	690826	striker bolt 125 mm	Foinox Bertos	3910
1	691655	striker bolt 156 mm	Foinox Bertos	3909
1	691654	striker bolt 173 mm	Foinox Bertos	40332
1	691653	striker bolt 300 mm	Foinox Bertos	40328
1	691657	striker bolt 343 mm	Foinox Bertos	3796
1	691656	striker bolt 375 mm	Foinox Bertos	3795
1	691658	striker bolt 630 mm	Foinox Bertos	40329
2	690827	latch block	Foinox Bertos	3775
3	514321	strike	Foinox Bertos	3738.1 25760000

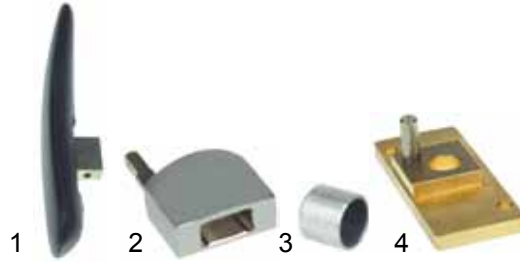


fig.	part no.	description	suitable for	equiv. no.
1	693937	door handle	Electrolux	0F0029
2	700470	handle support	Electrolux	003826
3	700471	bearing bush	Electrolux	0G2001
4	700472	flange	Electrolux	004098



fig.	part no.	description	suitable for	equiv. no.
1	690042	latch gear	Electrolux	0H6928
2	690041	latch	Electrolux	0K2246
3	693797	spacer plate	Electrolux	004104
4	700490	strike	Electrolux	0K2247
5	700491	gasket	Electrolux	003990

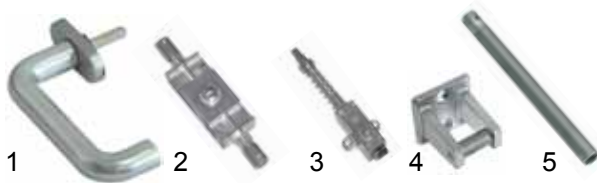


fig.	part no.	description	suitable for	equiv. no.
1	691044	door handle	Fagor	R660532
2	690042	latch gear	Fagor	R260543
3	690041	latch	Fagor	R260544
4	690040	strike	Fagor	R260545
5	691050	rod	Fagor	R020502

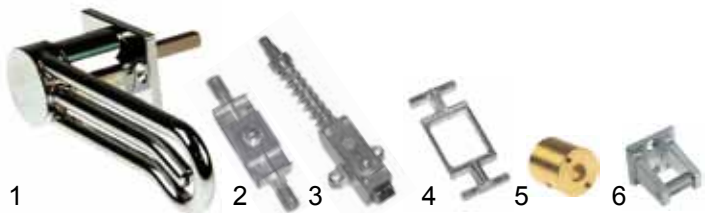


fig.	part no.	description	suitable for	equiv. no.
1	690584	door handle	Giorik	5013218
2	690042	latch gear	Giorik	
3	690041	latch	Giorik	
4	690046	gear console	Giorik	
5	690585	bush	Giorik	2011212
6	690040	strike	Giorik	5900122

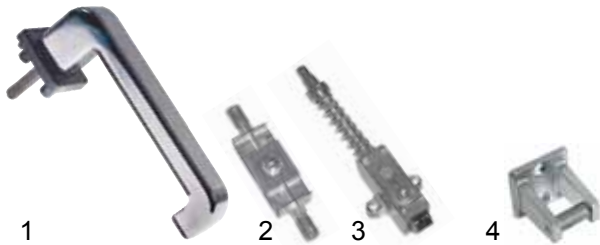


fig.	part no.	description	suitable for	equiv. no.
1	693516	door handle	Küppersbusch	133193
2	690042	latch gear	Küppersbusch	133194
3	690041	latch	Küppersbusch	133195
4	690040	strike	Küppersbusch	133196

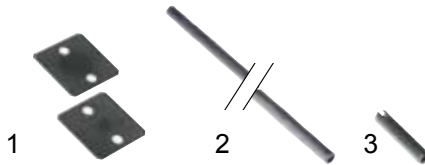


fig.	part no.	description	suitable for	equiv. no.
1	693530	spacer plate	Küppersbusch	817970000
2	693527	rod	Küppersbusch	756156000
3	692013	locking sleeve	Küppersbusch	156938



fig.	part no.	description	suitable for	equiv. no.
1	690840	door handle	Zanussi	056415
2	690836	gearbox	Zanussi	056550
3	690837	latch	Zanussi	056551
4	690838	strike	Zanussi	056571



fig.	part no.	description	suitable for	equiv. no.
1	690845	intermediate ring	Zanussi	056417
2	690844	plastic disc	Zanussi	056416
3	690843	guide washer	Zanussi	056414
4	690842	nut	Zanussi	056409
5	690841	support	Zanussi	056408



fig.	part no.	description	suitable for	equiv. no.
1	690980	door handle silver	MBM	160912
2	691213	door handle grey	MBM	170919
3	700604	gearbox	MBM	
4	690041	latch	MBM	



fig.	part no.	description	suitable for	equiv. no.
1	690998	bush	MBM	
2	690999	rod	MBM	
3	692013	locking sleeve	MBM	
4	693797	console	MBM	RTFOC00005
5	690046	gear console	MBM	RTFOC00057

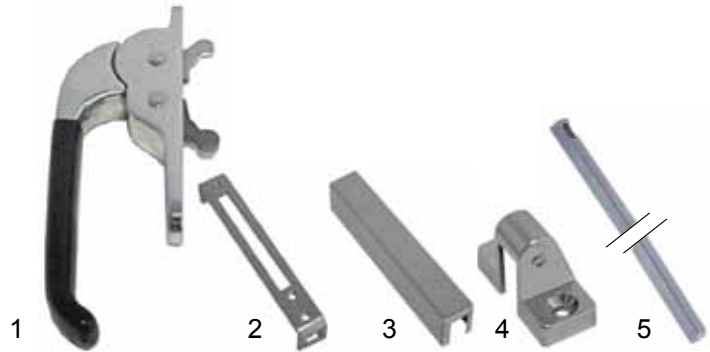


fig.	part no.	description	suitable for	equiv. no.
1	700041	door handle	Juno	0H6838
2	700042	rod guide	Juno	
3	700043	cover	Juno	
4	700069	strike	Juno	
5	700052	guide rods (2 pcs)	Juno	



handle length 76mm

handle length 62mm

fig.	part no.	description	suitable for	equiv. no.
1	690089	door handle 76 mm	Lainox	R69015050
2	690561	door handle 62 mm	Lainox	R58003171
3	690591	flange	Lainox	R58003150 R03200970



fig.	part no.	description	suitable for	equiv. no.
1	514295	door handle assembly (free-standing units)	Baron Olis	3107990 3107990
2	514394	door handle assembly (counter-top units)	Baron Olis	3107900 3107900
3	514296	strike	Baron Olis	3107915 3107915



fig.	part no.	description	suitable for	equiv. no.
1	514297	locking piece (counter-top units)	Baron Olis	3107915
2	514416	locking piece (free-standing units)	Baron Olis	3107991 3107991
3	514298	plate	Baron Olis	3107945 3107945



fig.	part no.	description	suitable for	equiv. no.
1	514300	ring	Baron Olis	3107935 3107935
2	514299	bush	Baron Olis	3107941 3107941
3	514301	spring	Baron Olis	3107955 3107955
4	514302	ball	Baron Olis	A011409 A011409
5	514303	pin	Baron Olis	3107930 3107930

handle locks



fig.	part no.	description	suitable for	equiv. no.
1	514290	door handle	Angelo Po	36M5340
2	111786	symbol plate red	Angelo Po	37M4040
3	111746	symbol plate blue	Angelo Po	37M4700
4	514286	sleeve	Angelo Po	36D8011
5	514287	bush	Angelo Po	36Q1360
6	514288	strike	Angelo Po	30G1650
7	514289	bush	Angelo Po	36D3670



internal mounting

no.	part no.	description	L (mm)	suitable for
1	694054	door handle	33	Angelo Po universal
2	694234	door handle	40	universal
3	694225	door handle	55	universal



external mounting

no.	part no.	description	L (mm)	suitable for
1	694065	door handle	33	Foinox universal
2	694237	door handle	40	universal
3	694236	door handle	55	universal



fig.	part no.	description	suitable for	equiv. no.
1	514390	spring for handle	Foinox	
2	691123	duct	Angelo Po	36E2060
3	694055	latch strike	Angelo Po	36C4391
4	694066	latch strike	Foinox	3772



fig.	part no.	description	suitable for	equiv. no.
1	690336	door handle	Lainox	R69010250
2	690337	cover	Lainox	R69010630
3	690338	strike 1-stage opening	Lainox	R69010260
4	690339	strike 2-stage opening	Lainox	R69010270



fig.	part no.	description	suitable for	equiv. no.
1	693560	door handle	Rational	2016.1507
2	693520	latch	Rational	8474.1305
3	693561	gasket	Rational	5110.1015
4	693562	door latch	Rational	8720.1474
5	693563	strike complete	Rational	8514.1038



fig.	part no.	description	suitable for	equiv. no.
1	693560	door handle	Rational	2016.1507
2	693520	latch	Rational	8474.1305
3	693573	cam	Rational	2940.1305
4	693574	cover	Rational	8455.1300
5	693538	strike assembly	Rational	8514.1307



fig.	part no.	description	suitable for	equiv. no.
1	693581	door handle	Rational	24.00.136
2	693520	latch	Rational	8474.1410
3	693582	support	Rational	24.00.216
4	693573	cover	Rational	2940.1305
5	693538	strike complete	Rational	8514.1307



fig.	part no.	description	suitable for	equiv. no.
1	693575	door handle	Rational	24.00.152
2	693576	latch	Rational	24.00.176
3	693577	spring	Rational	24.00.506
4	693578	support	Rational	24.00.141
5	693579	strike	Rational	24.00.142
6	693580	cover	Rational	24.00.504

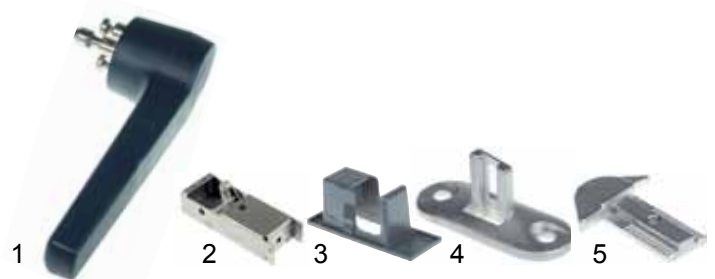


fig.	part no.	description	suitable for	equiv. no.
1	693596	door handle	Rational	2016.1504
2	693536	latch	Rational	8474.1300
3	693564	cover	Rational	2039.0340
4	693565	strike support	Rational	2940.1313
5	693566	strike	Rational	2940.1312

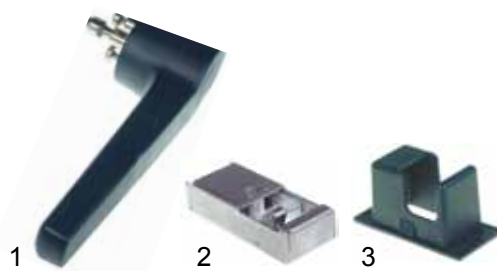


fig.	part no.	description	suitable for	equiv. no.
1	693596	door handle	Rational	2016.1504
2	693537	latch	Rational	8474.1001
3	693542	cover	Rational	2039.0319



no.	part no.	description	suitable for	equiv. no.
1	693751	door handle	Juno	0H6882



fig.	part no.	description	suitable for	equiv. no.
1	700481	door handle	Zanussi	06978
2	700482	latch	Zanussi	06977
3	700483	strike	Zanussi	06981
4	690873	door spring	Zanussi	06979



fig.	part no.	description	suitable for	equiv. no.
1	700481	door handle	Zanussi	06978
2	700485	latch	Zanussi	07089
3	700486	strike	Zanussi	07092



fig.	part no.	description	suitable for	equiv. no.
1	691617	door handle	MKN	207089
2	691666	latch	MKN	207092



fig.	part no.	description	suitable for	equiv. no.
1	691784	door handle (free-standing units)	MKN	207149
2	691785	latch (free-standing units)	MKN	207147
3	691786	strike (free-standing units)	MKN	207148



fig.	part no.	description	suitable for	equiv. no.
1	691617	door handle (counter-top units)	MKN	207089
2	691666	latch (counter-top units)	MKN	207092
3	691780	strike (counter-top units)	MKN	207090



fig.	part no.	description	suitable for	equiv. no.
1	691777	cover	MKN	202662
2	691782	cover plate (counter-top units)	MKN	801064
3	691783	cover plate (counter-top units)	MKN	800059
4	691781	cover plate (free-standing units)	MKN	802694



fig.	part no.	description	suitable for	equiv. no.
1	691990	door handle assembly hinge right hand (counter-top units)	Eloma Palux	748765 748765
2	691988	door handle assembly (free-standing units)	Eloma Palux	749532 749532
3	694067	strike, single action	Eloma Palux	747998 747998
4	694253	strike, double action hinge, right hand	Eloma Palux	758264 758264
5	694254	strike, double action hinge, left hand	Eloma Palux	758272 758272

rotary latches



no.	part no.	description	door hinge	handle length (mm)	suitable for
1	690500	pressing lever-lock	right	155	Angelo Po
2	694227	pressing lever-lock	right	160	Angelo Po



no.	part no.	description	door hinge	handle length (mm)	suitable for
1	690044	pressing lever-lock	right	155	Convothem Wiesheu universal
2	690027	pressing lever-lock	left	155	Convothem Wiesheu universal



no.	part no.	description	door hinge	handle length (mm)	suitable for
1	700090	pressing lever-lock	right	155	Wiesheu universal



no.	part no.	description	door hinge	handle length (mm)	suitable for
1	700097	pressing lever-lock	left	200	universal



fig.	part no.	description	suitable for	equiv. no.
1	693519	door handle	Rational	2016.1450
2	693592	plastic disc	Rational	2016.1453
3	690103	worm	Rational	2016.1452
4	690102	bearing block	Rational	2016.1457



fig.	part no.	description	door hinge	height	suitable for
1	700091	latch strike	right	56 mm	Convothem universal
2	690045	latch strike	left	56 mm	Convothem universal
3	700098	latch strike	right	74 mm	Convothem Küppersbusch Angelo Po Rational universal
4	690135	latch strike	left	74 mm	Convothem universal



fig.	part no.	description	suitable for
1	690136	sliding plate right	universal
1	690137	sliding plate left	universal
2	514281	spacer 10mm	Angelo Po

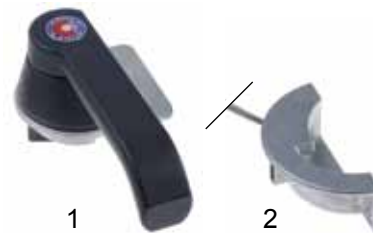
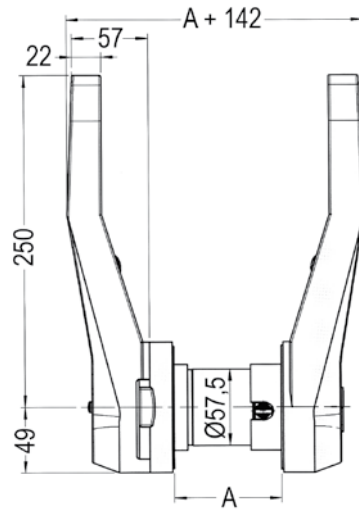


fig.	part no.	description	suitable for	equiv. no.
1	691986	door handle	Convothem	2525040
2	691987	strike	Convothem	6012001

cold storage room latches

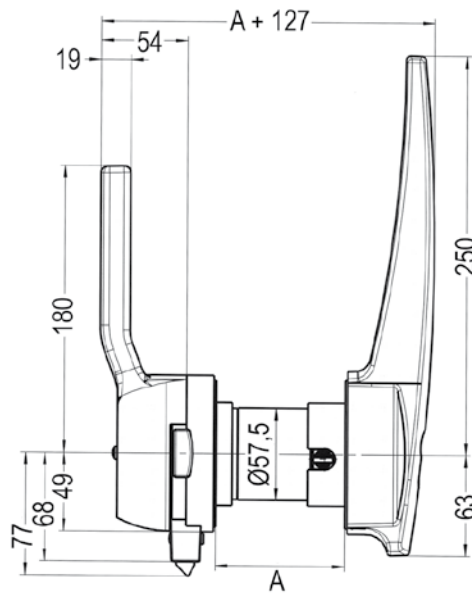
type A



no..	part no.	A (mm)	door hinge	type
1	690001	80	left	3.31.0650.2
2	690002	80	right	3.31.0650.1
3	691947	90	left	3.31.0653.2
4	691948	90	right	3.31.0653.1
5	690327	100	left	3.31.0654.2
6	690326	100	right	3.31.0654.1

no..	part no.	A (mm)	door hinge	type
7	690162	120	left	3.31.0655.2
8	690160	120	right	3.31.0655.1
9	691949	125	left	3.31.0658.2
10	691950	125	right	3.31.0658.1
11	690163	140	left	3.31.0659.2
12	690161	140	right	3.31.0659.1

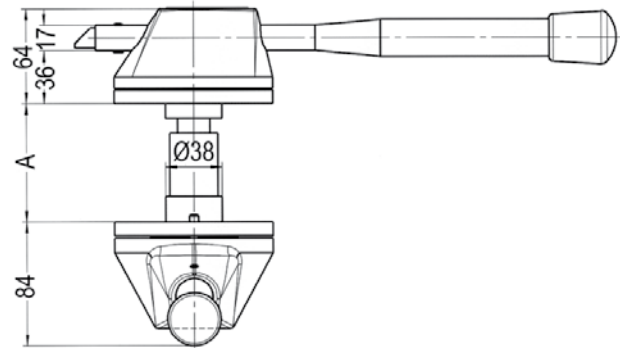
type B



no..	part no.	A (mm)	door hinge	type
1	691749	80	left	3.31.2700.2
2	691750	80	right	3.31.2700.1
3	691752	90	left	3.31.2702.2
4	691751	90	right	3.31.2702.1
5	691754	100	left	3.31.2704.2
6	691753	100	right	3.31.2704.1

no..	part no.	A (mm)	door hinge	type
7	691756	120	left	3.31.2706.2
8	691755	120	right	3.31.2706.1
9	691758	125	left	3.31.2707.2
10	691757	125	right	3.31.2707.1
11	691760	140	left	3.31.2708.2
12	691759	140	right	3.31.2708.1

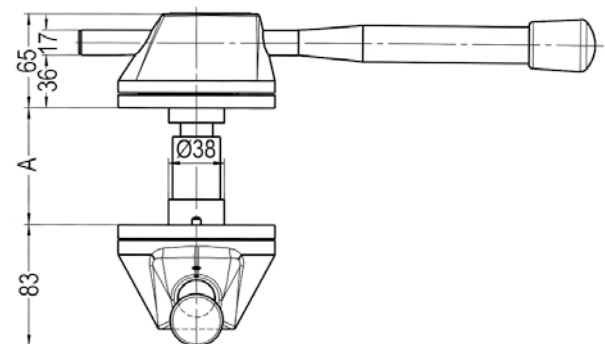
type C



no.	part no.	A (mm)	door hinge	type
1	691743	56-60	left/right	3.31.2301.1
2	691744	80	left/right	3.31.2300.1
3	691745	96-100	left/right	3.31.2310.1

no.	part no.	A (mm)	door hinge	type
4	691746	120	left/right	3.31.2311.1
5	691747	136-140	left/right	3.31.2312.1

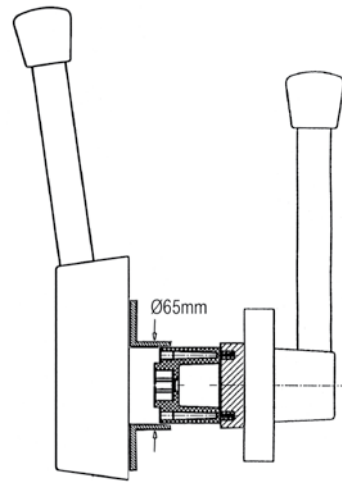
type D



no.	part no.	A (mm)	door hinge	type
1	691667	56-60	left/right	3.31.2001.1
2	691668	80	left/right	3.31.2000.1
3	691669	86-90	left/right	3.31.2006.1
4	691670	96-100	left/right	3.31.2010.1

no.	part no.	A (mm)	door hinge	type
5	691671	110	left/right	3.31.2004.1
6	691672	120	left/right	3.31.2011.1
7	691739	136-140	left/right	3.31.2012.1
8	691740	160	left/right	3.31.2016.1

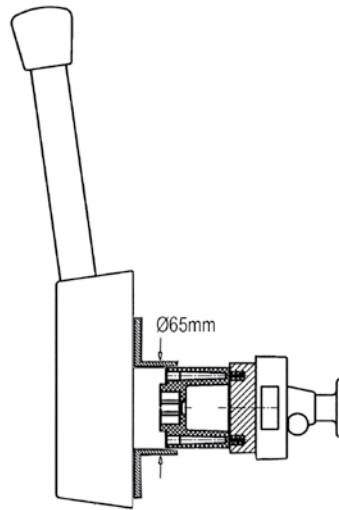
type E



no.	part no.	door thickness (mm)	door hinge	type
1	690170	80	right	7101
2	690172	80	left	7101

no.	part no.	door thickness (mm)	door hinge	type
3	690171	125	right	7101
4	690173	125	left	7101

type E



no.	part no.	door thickness (mm)	door hinge	type
1	690174	80	right	7101
2	690176	80	left	7101

no.	part no.	door thickness (mm)	door hinge	type
3	690175	125	right	7101
4	690177	125	left	7101

accessories



fig.	part no.	description	for type	type
1	690164	strike 11 mm	A, D	3.31.0760.0
2	690165	strike 18 mm	A, D	3.31.0765.0
3	691741	strike 15 mm	D	3.31.0762.0
4	691748	strike 11 mm	C	3.31.0769.0
5	690191	strike	E	7101

fig.	part no.	description	for type	type
6	691765	strike 11 mm	B	3.31.0768.0
7	691766	strike 18 mm	B	3.31.0766.0
8	691762	spacer 5 mm	B	3.31.2795.0
8	691763	spacer 10 mm	B	3.31.2796.0
8	691764	spacer 15 mm	B	3.31.2797.0



no.	part no.	door thickness (mm)	finish	type
1	690125	70-160mm	chrome-plated	3.31.0540

accessories



fig.	part no.	description	body	type
1	690138	strike	chrome-plated	3.31.0543
2	690139	mounting plate	zinc-plated	3.31.0450
3	690140	spacer plate 10 mm	chrome-plated	3.31.0544
3	690141	spacer plate 20 mm	chrome-plated	3.31.0545
3	690142	spacer plate 30 mm	chrome-plated	3.31.0546
3	690143	spacer plate 40 mm	chrome-plated	3.31.0547
3	690144	spacer plate 50 mm	chrome-plated	3.31.0548

fig.	part no.	description	door thickness	type
4	690126	internal opener	70-80 mm	3.31.0470
4	690127	internal opener	81-100 mm	3.31.0471
4	690128	internal opener	101-120 mm	3.31.0472
4	690129	internal opener	121-140 mm	3.31.0473
4	690145	internal opener	141-160 mm	3.31.0474
5	694244	protective handle		3.31.0480



fig.	part no.	door thickness (mm)	finish	type
1	694026	40-172	grey/black	6004
2	694027	40-172	grey/chrome-plated	6004
3	690050	40-172	chrome-plated	6000

accessories

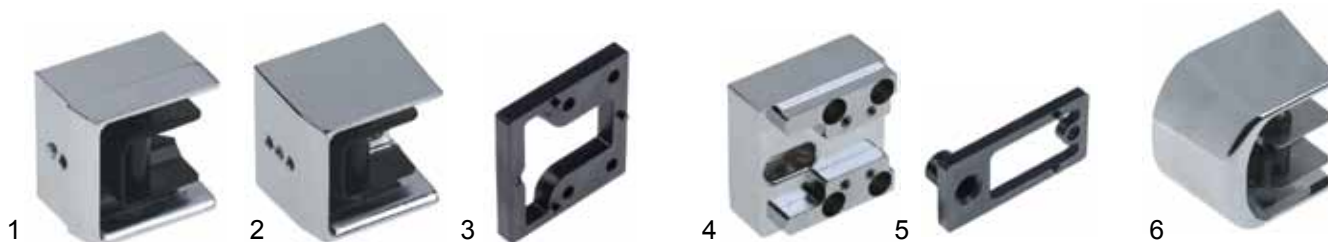


fig.	part no.	description	offset (mm)	type
1	690051	strike, no offset	0	6000
2	690060	strike	30-43	6000
3	690064	spacer plate strike 7.5mm	-	6000
4	690062	spacer plate strike 22mm	-	6000
4	690063	spacer plate strike 42mm	-	6000
4	690065	spacer plate strike 62mm	-	6000
5	690052	spacer plate door handle	-	6000
6	694052	latch strike top part/tap head	-	6004

fig.	part no.	description	offset (mm)	type
6	694043	latch strike	32.5-48.5	6004
6	694044	latch strike	43.5-56.5	6004
6	694045	latch strike	52.5-68.5	6004
6	694046	latch strike	60.5-76.5	6004
6	694047	latch strike	72.5-88.5	6004
6	694048	latch strike	80.5-96.5	6004
6	694049	latch strike	97.5-108.5	6004
6	694050	latch strike	105.5-116.5	6004

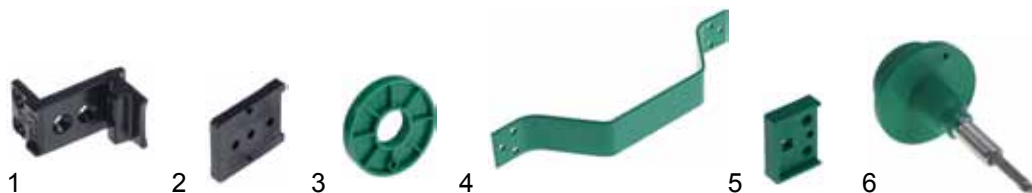
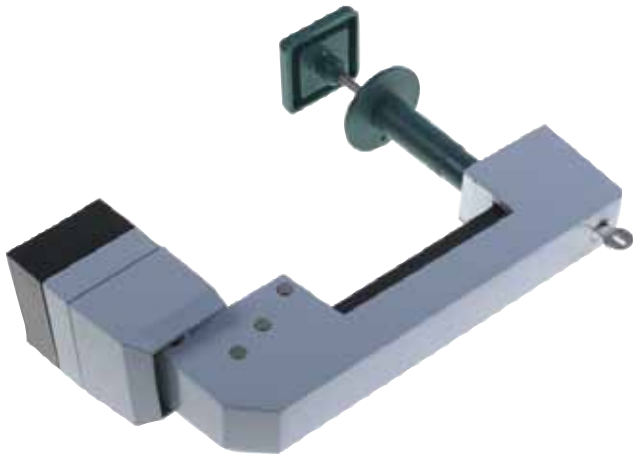


fig.	part no.	description	type
1	690054	counter support 0mm	6000/6004
1	690056	counter support 13mm	6000/6004
1	690057	counter support 16mm	6000/6004
1	690058	counter support 19mm	6000/6004
2	690053	spacer plate counter support	6000/6004
3	690073	spacer for internal opener 5 mm	6000/6004
4	694063	protective handle	6000/6004
5	694064	spacer for protective handle 5 mm	6000/6004

fig.	part no.	description	door thickness (mm)	type
6	694025	internal opener	40-56	6000/6004
6	690066	internal opener	60-76	6000/6004
6	690067	internal opener	76-92	6000/6004
6	690068	internal opener	92-108	6000/6004
6	690069	internal opener	108-124	6000/6004
6	690070	internal opener	124-140	6000/6004
6	690071	internal opener	140-156	6000/6004
6	690072	internal opener	156-172	6000/6004



no.	part no.	door thickness (mm)	finish	type
1	694078	40-60	grey	5270/V
2	694087	80-90	grey	5270/V-2
3	690088	100-120	grey	5270/V-3



fig.	part no.	description	door thickness (mm)	finish	type
1	690460	latch assembly	65-80	black	G-995
2	690477	strike	65-80	black	G-995



no.	part no.	description	suitable for
1	690993	latch assembly lockable with strike, door thickness 40-200mm	Desmon



no.	part no.	description	type
1	694081	latch lockable without mounting set	5325AB



no.	part no.	description	door thickness (mm)	type
1	694082	mounting set	50-60	5325AB
2	694083	mounting set	61-80	5325AB
3	694084	mounting set	81-100	5325AB
4	694085	mounting set	101-120	5325AB
5	694086	mounting set	121-140	5325AB

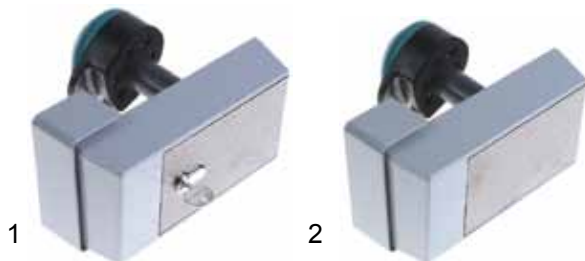


fig.	part no.	description	for door thickness:	type
1	700575	latch assembly with internal opener, lockable, offset 27-42 mm	80 mm	621
1	700784	latch assembly with internal opener, lockable, offset 27-42 mm	140 mm	621
2	700576	latch assembly with internal opener, offset 27-42 mm	80 mm	620
2	700785	latch assembly with internal opener, offset 27-42 mm	140 mm	620



fig.	part no.	description	type
1	700618	internal opener	620/621
2	700619	strike	620/621
3	700795	base plate for strike 15 mm	620/621
3	700796	base plate for strike 30 mm	620/621
3	700797	base plate for strike 50 mm	620/621
3	700798	base plate for strike 80 mm	620/621

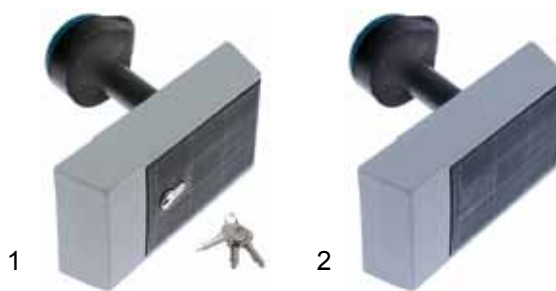


fig.	part no.	description	for door thickness:	type
1	700574	latch assembly with internal opener lockable, without strike 27-152 mm	120 mm	921
2	700573	latch assembly with internal opener without strike 27-152 mm	120 mm	920



no.	part no.	description	offset(S)	type
1	700577	strike	27/42 mm	920/921
2	700578	strike	42/57 mm	920/921
3	700579	strike	52/72 mm	920/921
4	700580	strike	65/85 mm	920/921
5	700791	strike	82/10 2mm	920/921
6	700792	strike	102/122 mm	920/921
7	700793	strike	117/137 mm	920/921
8	700794	strike	132/152 mm	920/921



no.	part no.	description	type
1	700616	latch assembly lockable with strike, door thickness 40-105 mm	
2	700615	latch assembly lockable with strike, door thickness 40-105 mm	



fig.	part no.	description	type
1	694089	latch assembly	217 Qty
2	694090	snap lock assembly	217 Qty



no.	part no.	description	for door thickness:	type
1	690230	latch assembly with internal opener, lockable, offset 28 mm	to 100 mm	



fig.	part no.	description	type
1	694074	latch	500 TN
2	694077	latch lockable	500 TN



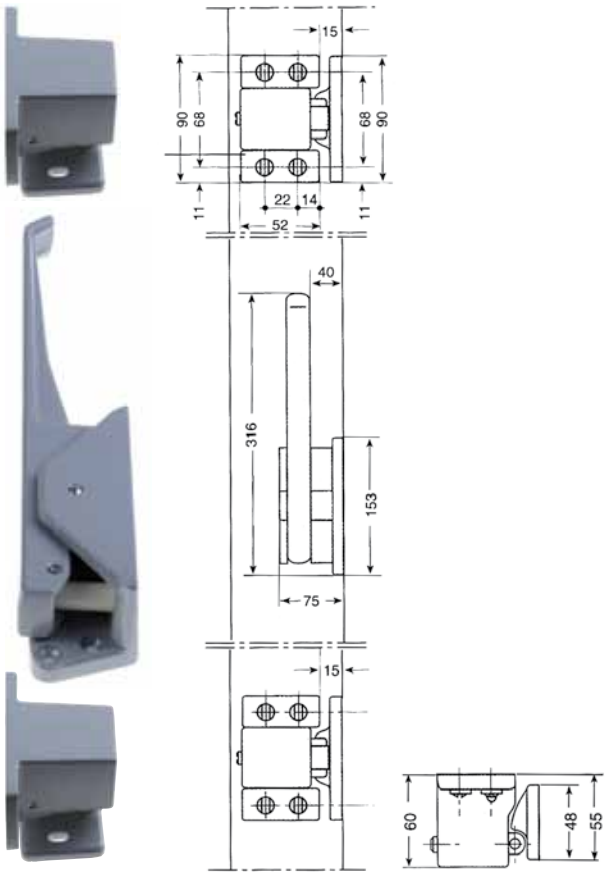
no.	part no.	description	for door thickness:	type
1	690231	latch assembly with internal opener, lockable, offset 28 mm	to 70 mm	



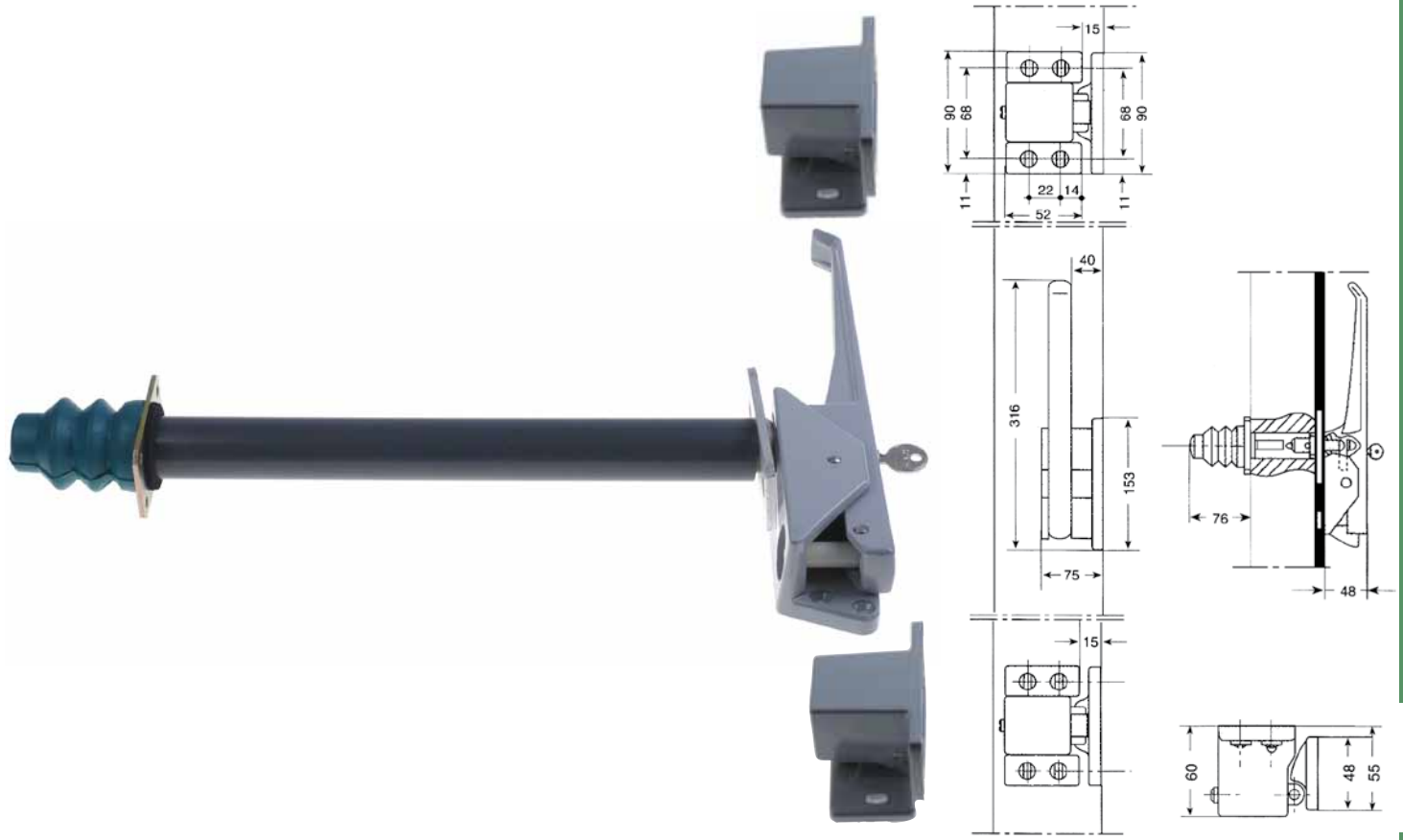
no.	part no.	description	type
1	690658	internal opener	500 TN



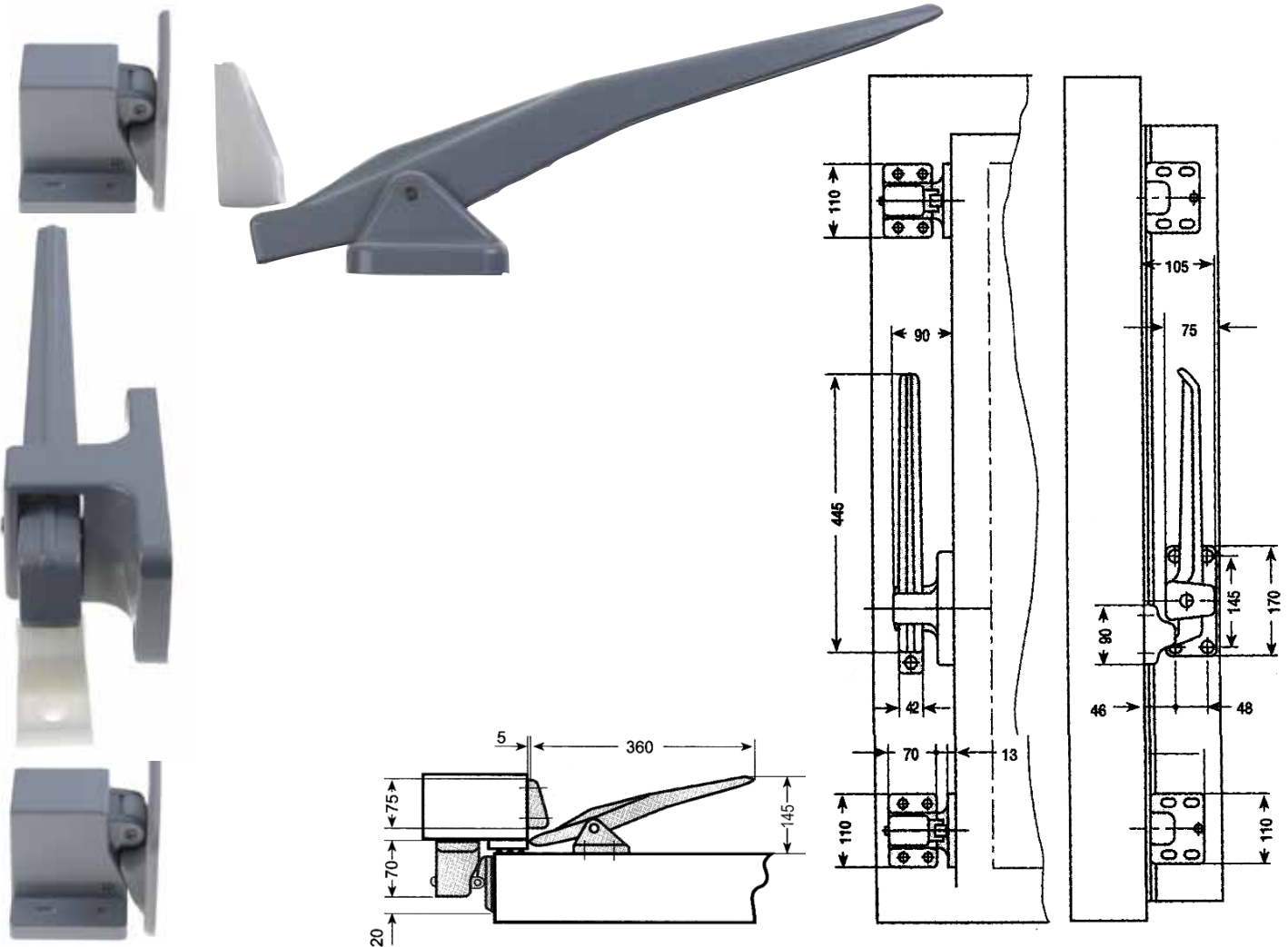
no.	part no.	description	type
1	694076	mounting set to door thickness ca.180mm	500 TN



no.	part no.	description	door hinge	type
1	700612	edgemount latch	right	1220
2	700611	edgemount latch	left	1220



no.	part no.	description	door hinge	type
1	700614	edgemount latch lockable, complete with internal opener	right	1221
2	700613	edgemount latch lockable, complete with internal opener	left	1221



no.	part no.	description	door hinge	type
1	700598	edgemount latch complete with inner/outer lever	right	1216
2	700599	edgemount latch complete with inner/outer lever	left	1216



fig.	part no.	description	type
1	700609	snap lock	1220/1221
2	700610	strike	1220/1221



fig.	part no.	description	type
1	700597	snap lock	1216
2	700596	strike	1216

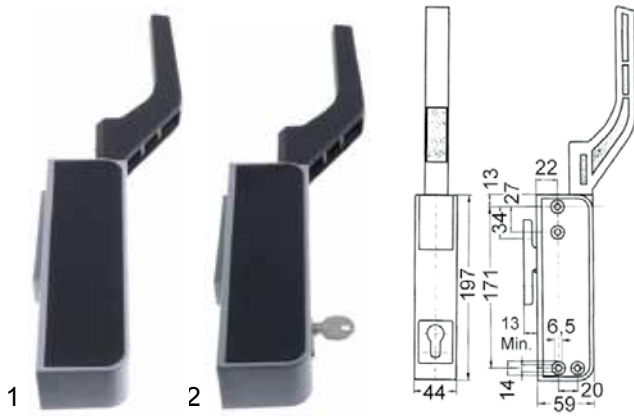


fig.	part no.	description	type
1	700786	latch non lockable with strike	2025
2	694079	latch lockable with strike	2225

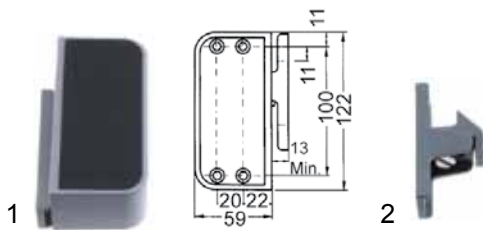
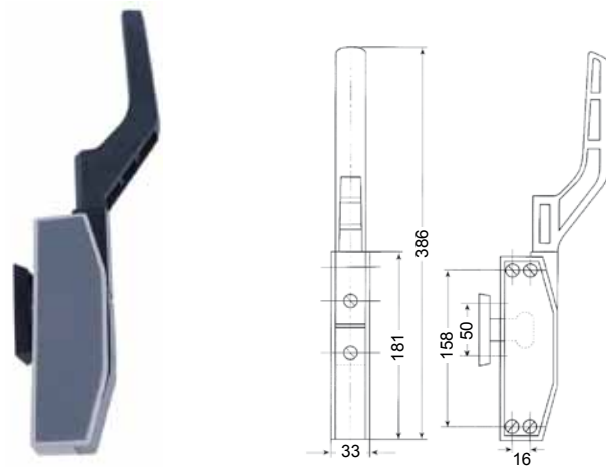
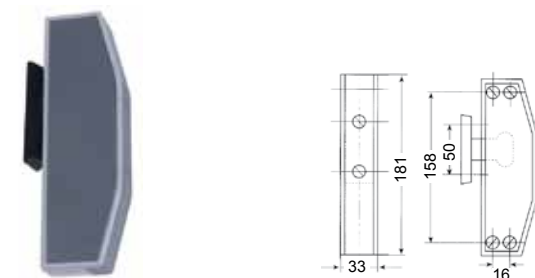


fig.	part no.	description	type
1	700787	latch block with strike	075
2	694091	strike	075



no.	part no.	description	type
1	690457	latch non lockable with strike	1825



no.	part no.	description	type
1	690678	latch block with strike	1875

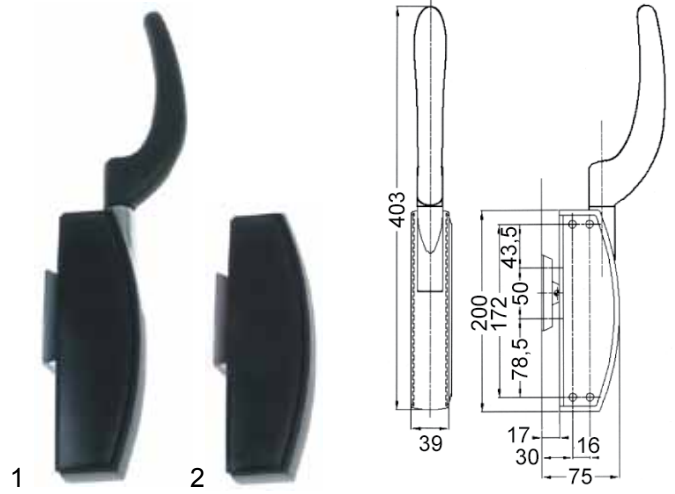
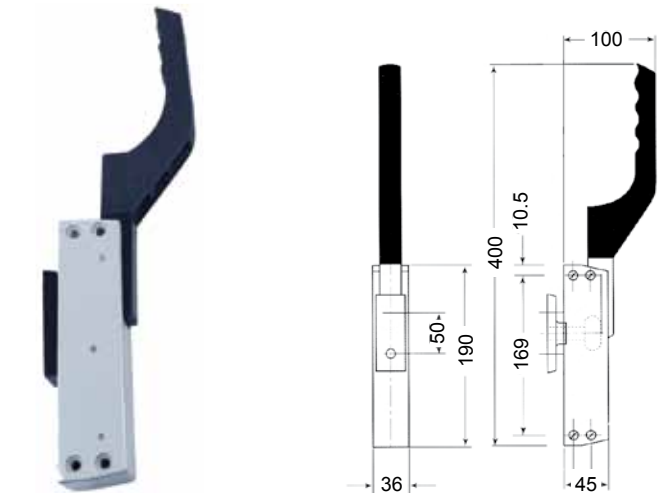
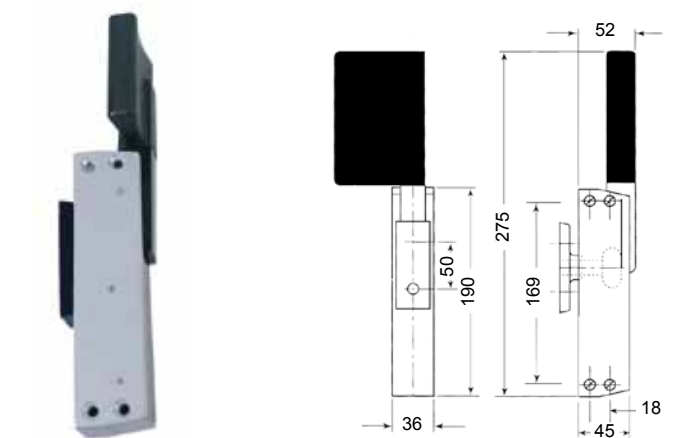


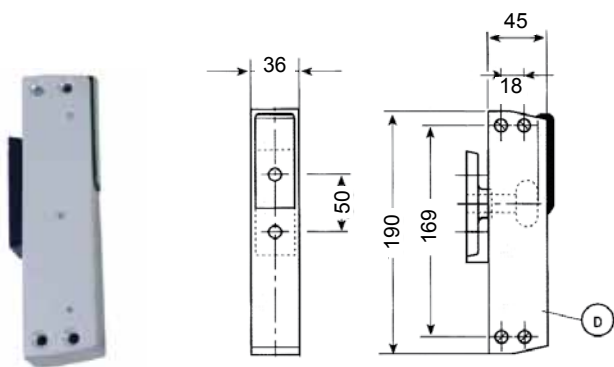
fig.	part no.	description	type
1	700393	latch non lockable with strike	3025
2	700626	latch block with strike	3075



no.	part no.	description	type
1	700570	latch with strike	1225 G200



no.	part no.	description	type
1	700617	latch with strike	6225 G202



no.	part no.	description	type
1	690423	latch with strike	

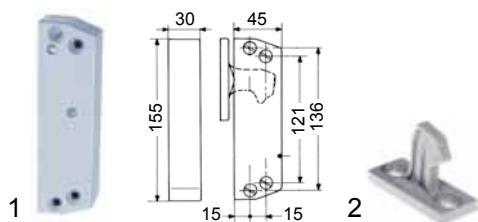


fig.	part no.	description	type
1	700571	latch without handle with strike	
2	700572	strike	

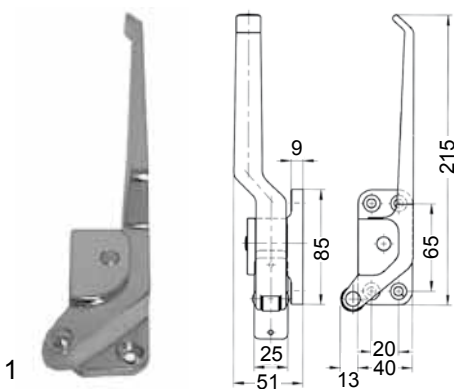


fig.	part no.	description	type
1	700070	outer handle hinge right hand	3.31.0156

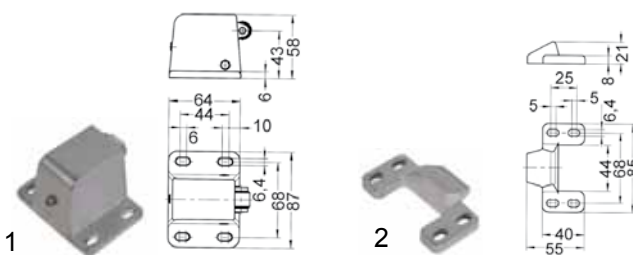


fig.	part no.	description	type
1	700071	latch block	
2	700072	latch strike	

snap locks

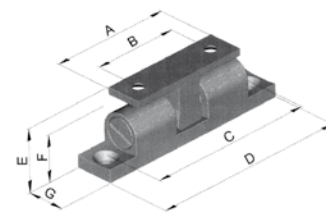


fig.	part no.	description	A	B	C	D	E	F	G
1	690104	snap lock	25	15	35	43	11	9.5	8
1	516170	snap lock	25	16	41	50	12.5	10	10
1	690106	snap lock	28.5	20	38.5	51	13	11	9
1	700799	snap lock	28.5	20	41	49	13	11	9
1	690107	snap lock	36.5	28	48.5	60	15	13	11.5
1	700800	snap lock	37	28	50	59	15	13	11.5
1	690903	snap lock	42	30	57	69	20	15	12.5
2	700801	snap lock	28.5	20	41	49	13	11	9
2	700410	snap lock	28.5	20	47	57	14	12	12
2	700802	snap lock	37	28	50	59	15	13	11.5
2	700803	snap lock	42	30	57	69	20	15	12.5



1 spring thickness 1mm 2 spring thickness 1.5mm

fig.	part no.	description	A	B	C	D	E	F	G
1	700428	snap lock	33	23	50	61	32	39	14
1	700668	snap lock	38	26	49	62	35	30	16
2	690596	snap lock	38	27	48	60	36	32	15



fig.	part no.	description	type
1	690557	spring lock	5710
2	690558	cover	5710
3	690559	strike 18 mm	5710
3	700804	strike 25.5 mm	5710
3	700805	strike 33.5 mm	5710

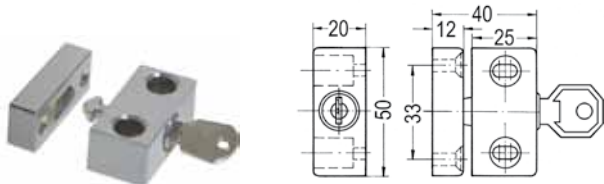


fig.	part no.	description	suitable for	equiv. no.
1	691980	snap lock	Ronda	
2	691981	snap lock	Everlasting	ETA180



fig.	part no.	description	suitable for	equiv. no.
1	691930	snap lock	Priolinox	1000
2	691931	snap lock	Priolinox	3000
3	691929	snap lock	Priolinox	1075

locking devices



no.	part no.	description
1	690028	locking device

key cylinder

with cam straight



fig.	part no.	description	rotation angle	A	B	C	D	E	F
1	690641	key cylinder	90°	M15x1	12.5	31	21	18	12
1	690461	key cylinder	90°	M19x1	16.5	42	16	23	16
1	690917	key cylinder	180°	M20x1.25	17	40	13	24	23
2	690280	key cylinder	180°	M18x1.25	15	26	10	22	15
3	690282	key cylinder	180°	M20x1.25	17	21	22	24	25

with cam offset



no.	part no.	description	rotation angle	A	B	C	D	E	F
1	690283	key cylinder	90°	M18x1.25	15	36	16	24	16.5

with push bolt



fig.	part no.	description	A	B	C	D	E	F
1	690662	key cylinder	M19x1	16.5	20-28	15	23	11
2	690462	key cylinder	M19x1	16.5	38-45	12	23	11
2	690976	key cylinder	M19x1	16.5	38-45	16	23	11
2	690825	key cylinder	M19x2	16.5	30-37	22	23	11
2	690637	key cylinder	M19x2	16.5	37-45	24	23	11

with hook lock



fig.	part no.	description	rotation angle	A	door thickness(mm)	C	D	E
1	691485	key cylinder	90°	24	33-46	20	72	30
2	690284	key cylinder	180°	24	33-46	20	72	30

for cam straight/offset



no.	part no.	description	rotation angle	A	B	C	door thickness (mm)
1	690285	key cylinder	180°	M20x1.25	17	24	0.5-6.5



fig.	part no.	description	length	width	power
1	690278	handle straight	37.5	23	2.5
2	690279	handle offset	30.5	23	2.5



fig.	part no.	description	suitable for
1	691481	key cylinder	Liebherr
2	691483	key cylinder	Liebherr
3	691485	key cylinder	Liebherr
4	691489	key cylinder	Liebherr

edgemount hinges

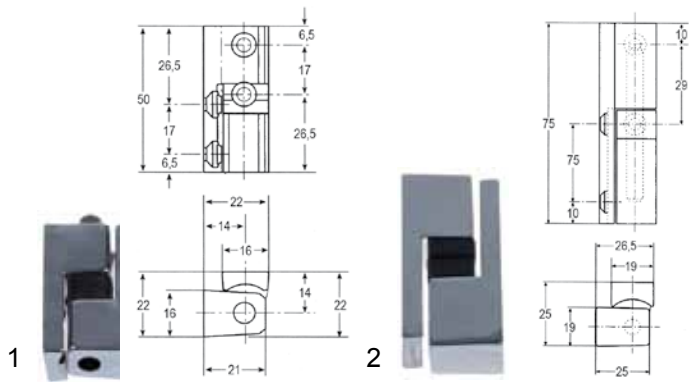


fig.	part no.	description	type
1	690384	hinge 50mm	304
2	690387	hinge 75mm	330

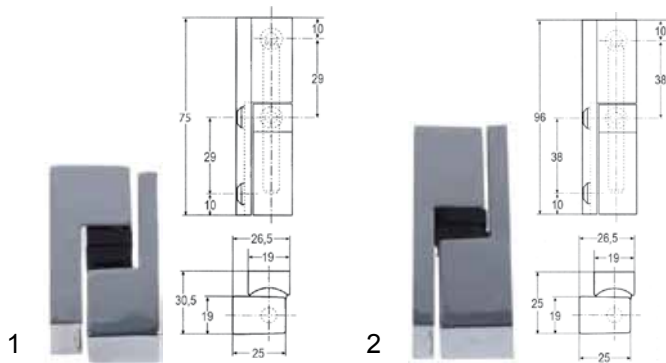


fig.	part no.	description	type
1	690388	hinge 75mm	335
2	690389	hinge 96mm	306

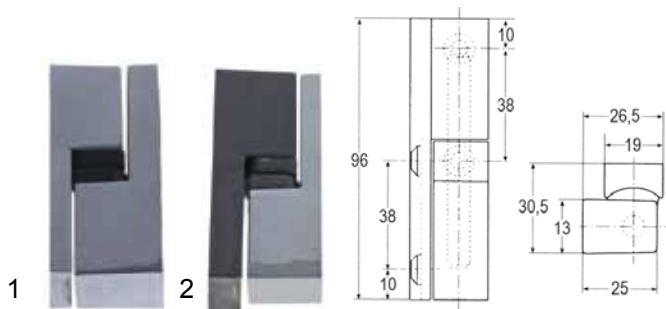


fig.	part no.	description	type
1	690390	hinge 96mm	306-5
2	690391	hinge 96mm	307-5

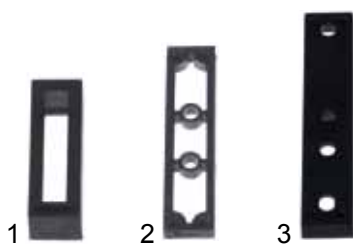


fig.	part no.	description	type
1	690392	spacer 50/15 mm	304
2	690344	spacer 75/5 mm	330/335
3	690393	spacer 96/10 mm	306/307

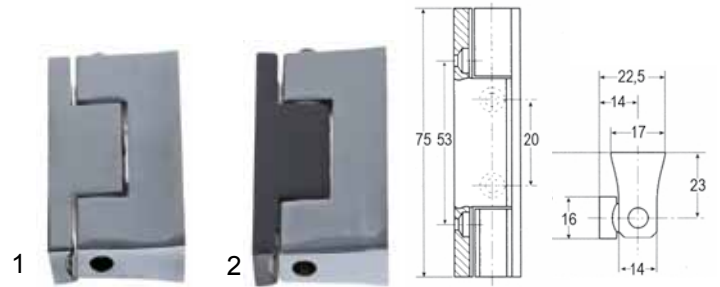


fig.	part no.	description	type
1	690432	hinge 75mm	G310
2	690435	hinge 75mm	G310PV

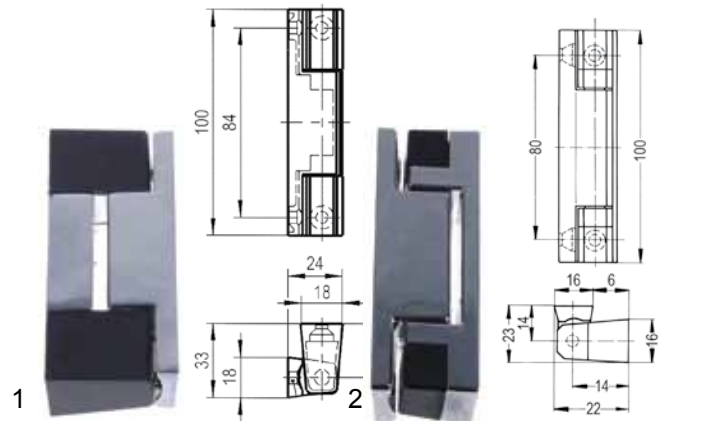


fig.	part no.	description	type
1	700093	hinge 100mm	3.50.0250.0
2	690117	hinge 100mm	4500.020397 4500.020433

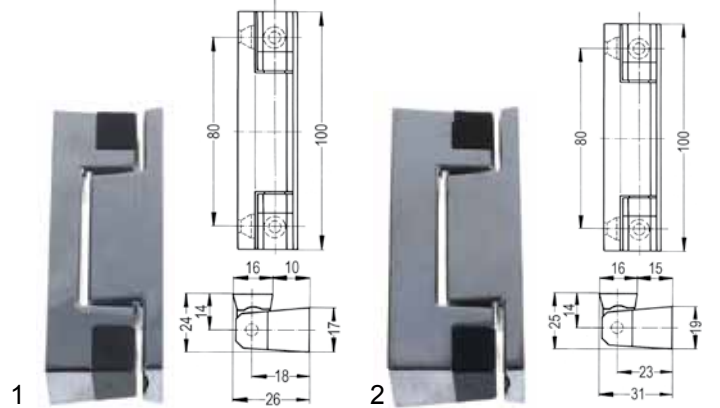
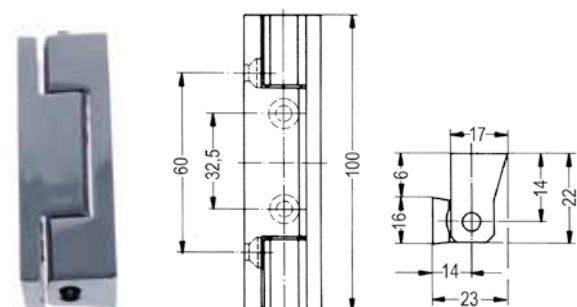


fig.	part no.	description	type
1	690118	hinge 100mm	4500.020398 4500.020460
2	690119	hinge 100mm	4500.020399



no.	part no.	description	type
1	690270	hinge 100mm	4484.020081

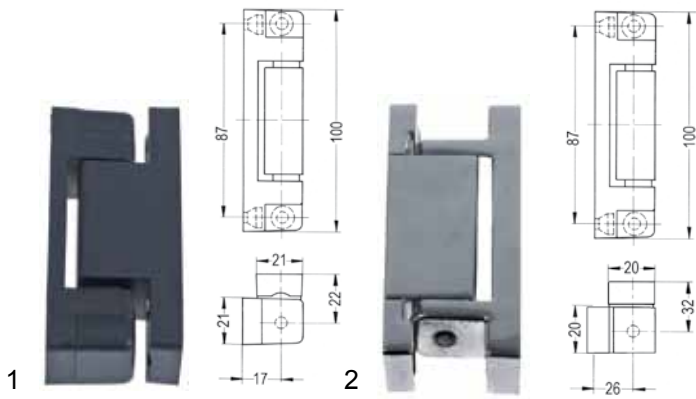


fig.	part no.	description	type
1	690277	hinge 100mm	4513.020651
	690276	hinge 100mm with spring	4513.020650
2	690256	hinge 100mm with spring	3064.362.20

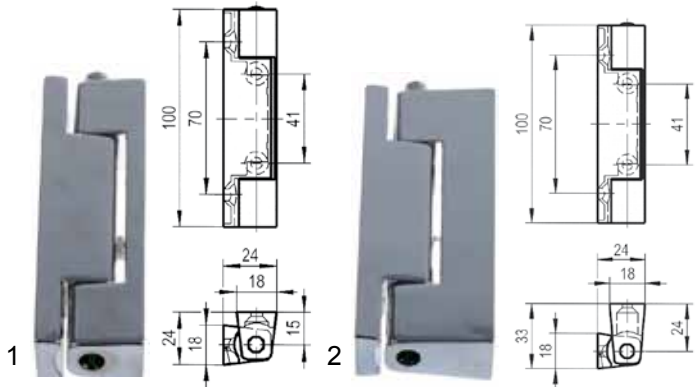


fig.	part no.	description	type
1	700075	hinge 100mm	3.50.0102.0
2	700076	hinge 100mm	3.50.0101.0

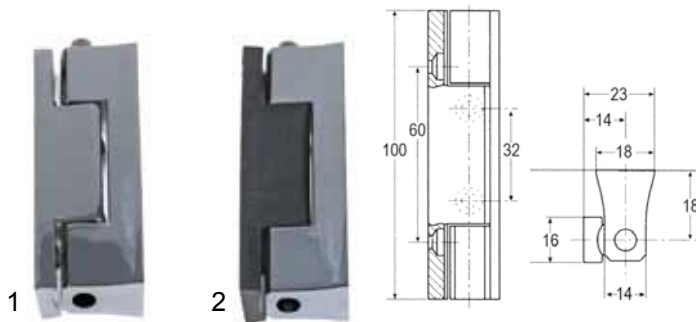


fig.	part no.	description	type
1	690430	hinge 100mm	G300
2	690433	hinge 100mm	G300PV

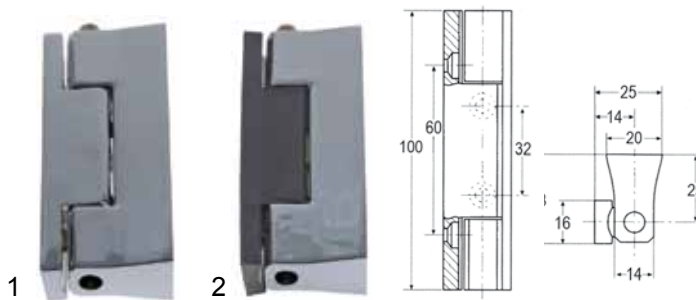


fig.	part no.	description	type
1	690431	hinge 100mm	G303
2	690434	hinge 100mm	G303PV

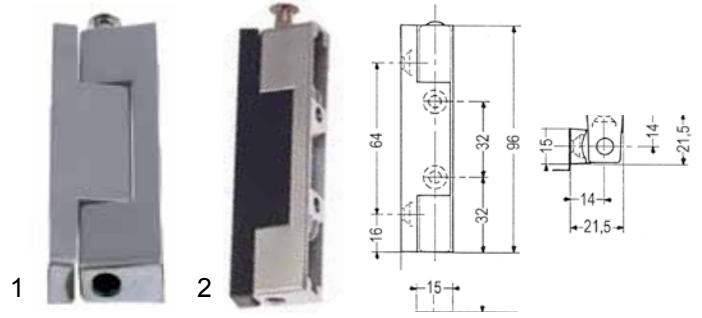


fig.	part no.	description	type
1	700564	hinge 100mm	401
2	700563	hinge 100mm	401PV



fig.	part no.	description	type
1	690120	spacer 100/6 mm	4500
2	690314	spacer 100/4.5 mm	4513
3	690395	spacer 100/5 mm	G300

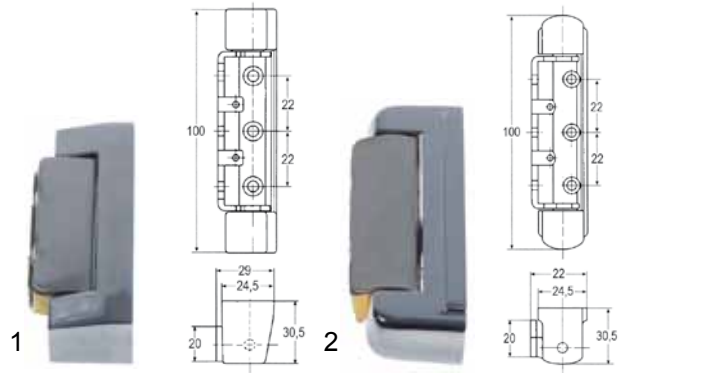


fig.	part no.	description	type
1	690322	hinge 100mm	G625
2	690323	hinge 100mm	G325

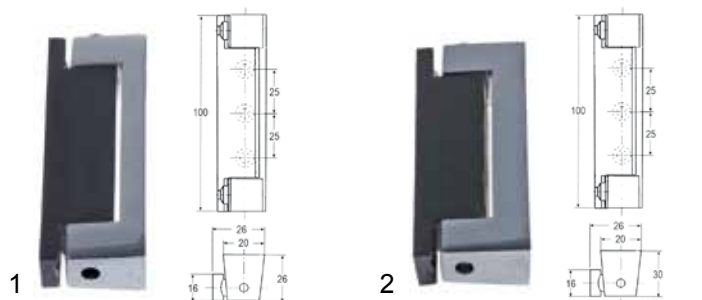
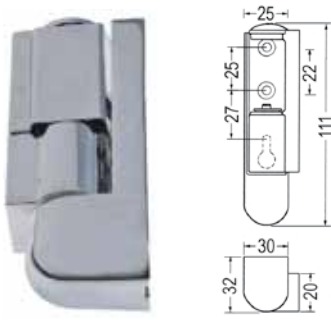


fig.	part no.	description	type
1	690250	hinge 100mm	3002.303.20
2	690251	hinge 100mm	3002.309.20



no.	part no.	description	type
1	690295	cam lift hinge 114mm	R45

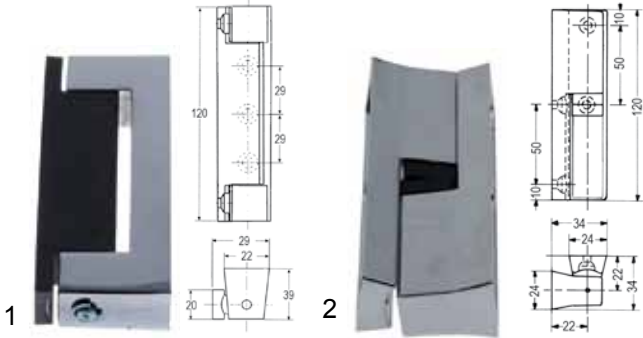


fig.	part no.	description	type
1	690255	hinge 120mm	3011.309.20
2	700565	hinge 120mm	308

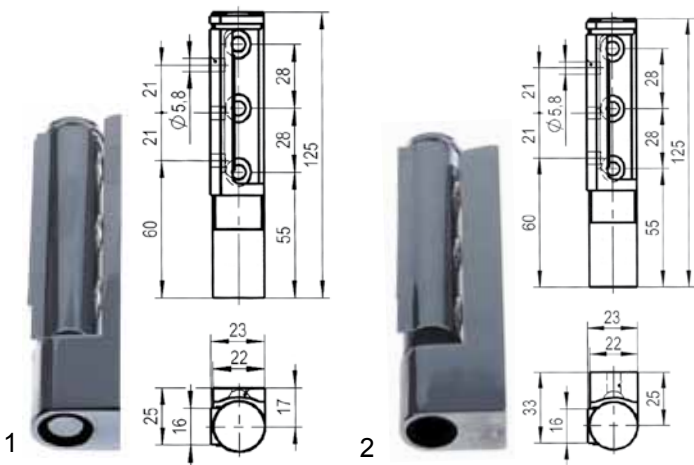
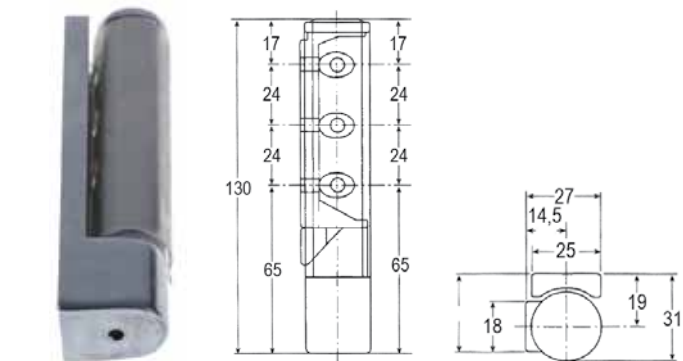


fig.	part no.	description	type
1	700056	hinge 125mm	3.50.0105.0
1	700058	cam lift hinge 125mm	3.50.0107.0
2	700057	hinge 125mm	3.50.0106.0
2	700059	cam lift hinge 125mm	3.50.0108.0



no.	part no.	description	type
1	690436	hinge 130mm	G430

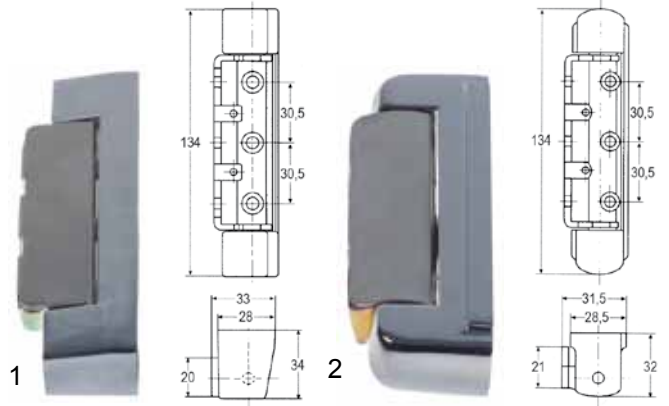


fig.	part no.	description	type
1	690340	hinge 134mm	G525
1	690341	hinge 134mm with spring assisted hinge right hand	G526
2	690342	hinge 134mm	G425
2	690343	hinge 134mm with spring assisted hinge right hand	G426

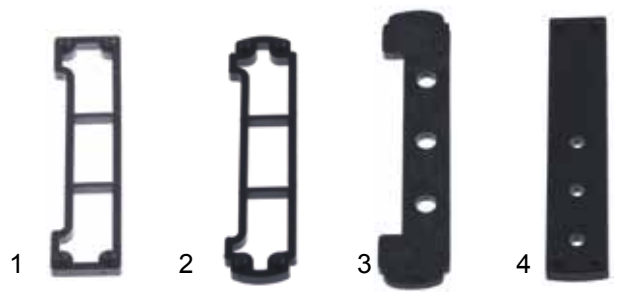
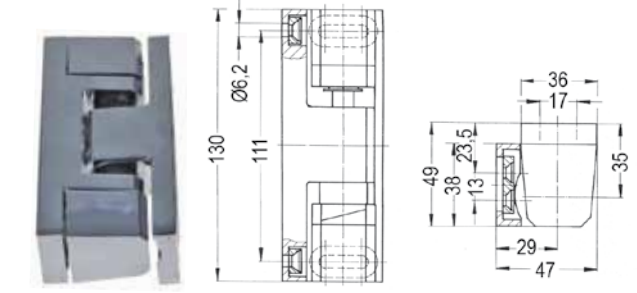


fig.	part no.	description	type
1	690345	spacer 100/5 mm	G625
2	690394	spacer 100/5 mm	G325
3	690346	spacer 134/5 mm	G425/426
4	690347	spacer 130/5 mm	G430



no.	part no.	description	type
1	690273	hinge 130mm	4510
2	690274	cam lift hinge 130mm hinge right hand	4511
3	690275	cam lift hinge 130mm hinge left hand	4511

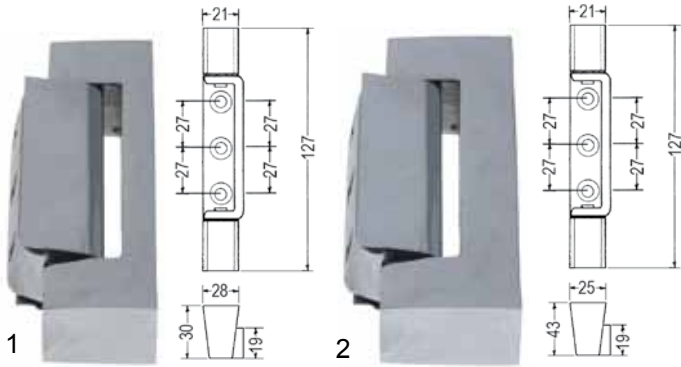


Abb	part no.	description	type
1	690291	hinge 127mm heat resistant 240°C	R42
2	690293	hinge 127mm	R42

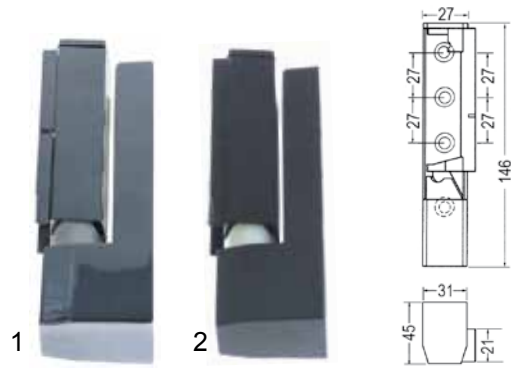


fig.	part no.	description	type
1	690296	cam lift hinge 146mm	R50.2850
2	690299	cam lift hinge 146mm, black	R50.2850.BLK

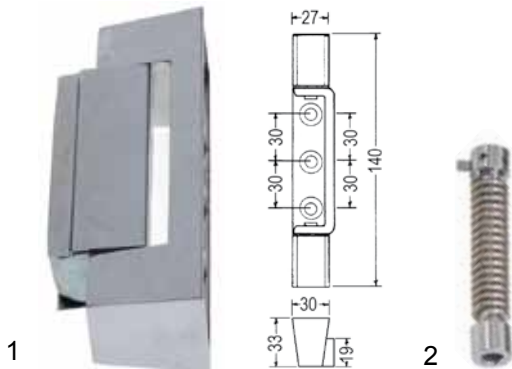
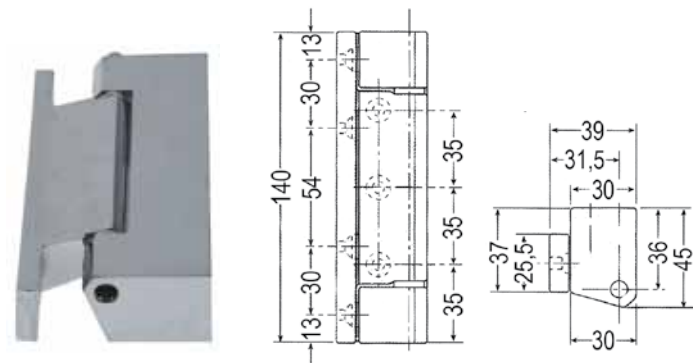


fig.	part no.	description	type
1	690294	hinge 140mm	R42
2	690292	spring assembly	R42



no.	part no.	description	type
1	345323	micro switch	R50.2850



no.	part no.	description	type
1	700562	hinge 140mm	361

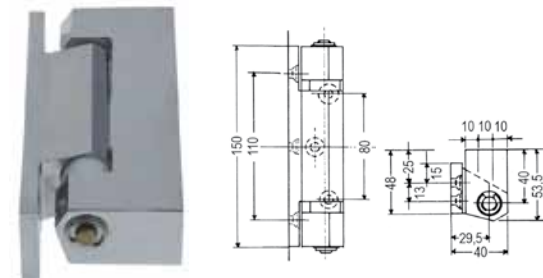
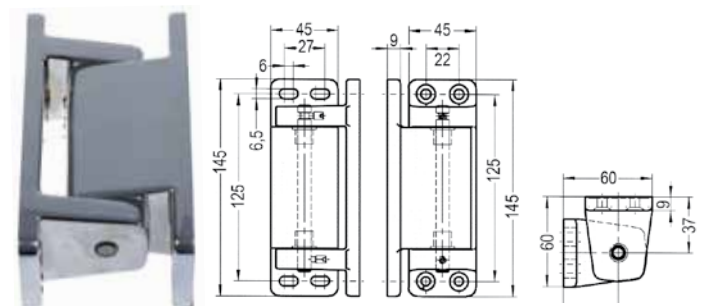
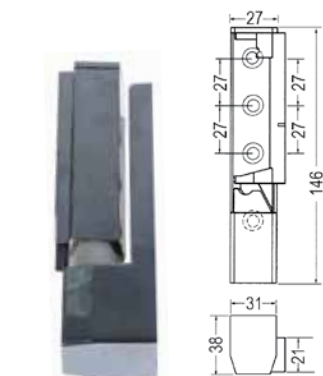


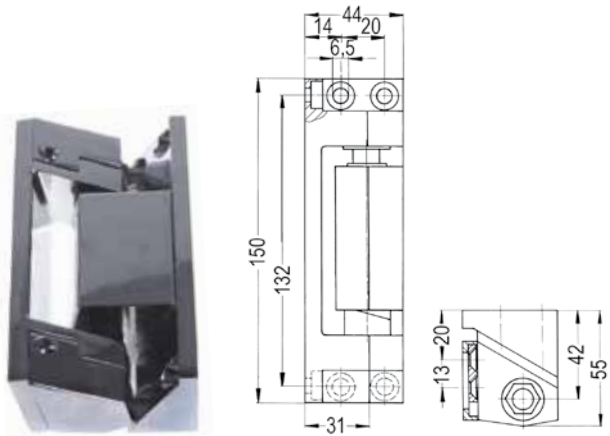
fig.	part no.	description	type
1	700560	cam lift hinge 150mm hinge right hand	362
2	700561	cam lift hinge 150mm hinge left hand	362



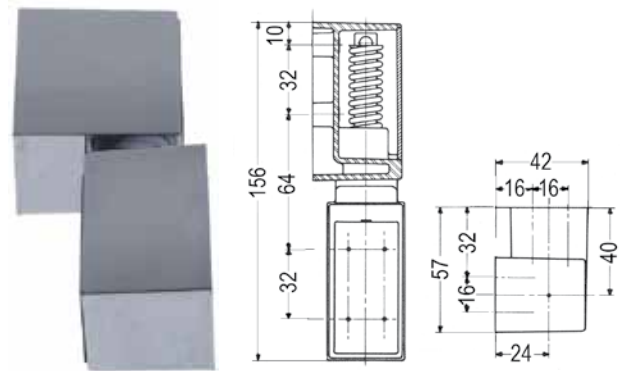
no.	part no.	description	type
1	700073	hinge 145mm	3.51.0101



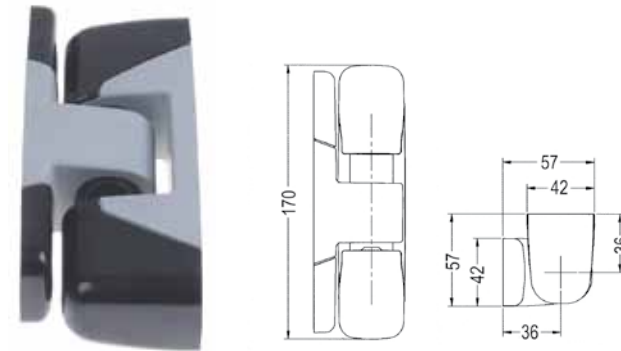
Pos	part no.	description	type
1	690298	cam lift hinge 146mm	R50.2850SPO



no.	part no.	description	type
1	690261	hinge 150mm	4000
2	690262	cam lift hinge 150mm hinge right hand	4001
3	690263	cam lift hinge 150mm hinge left hand	4001



no.	part no.	description	type
1	690642	hinge with lift and spring hinge right hand	466



no.	part no.	description	type
1	690720	hinge 170mm with lift	Activa

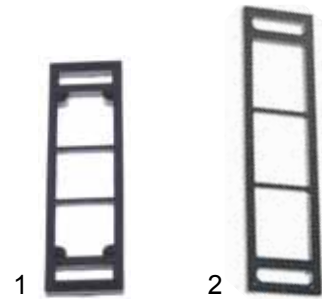
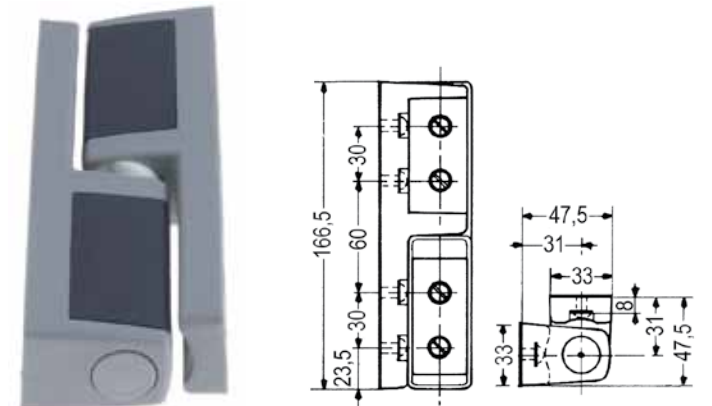
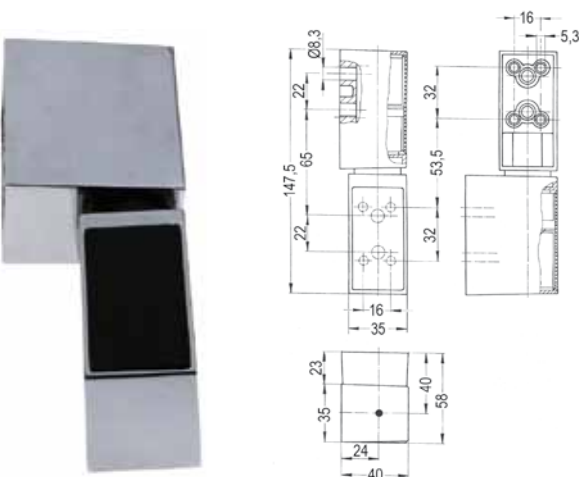


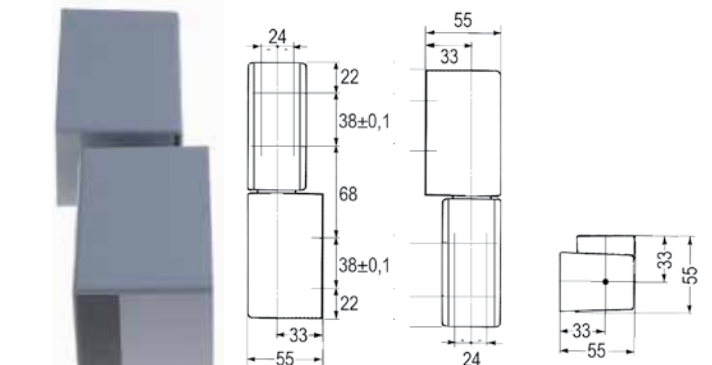
fig.	part no.	description	type
1	690313	spacer 130/5mm	4510/4511
2	690310	spacer 150/5mm	4000/4001



no.	part no.	description	type
1	700566	hinge 170mm with lift	481



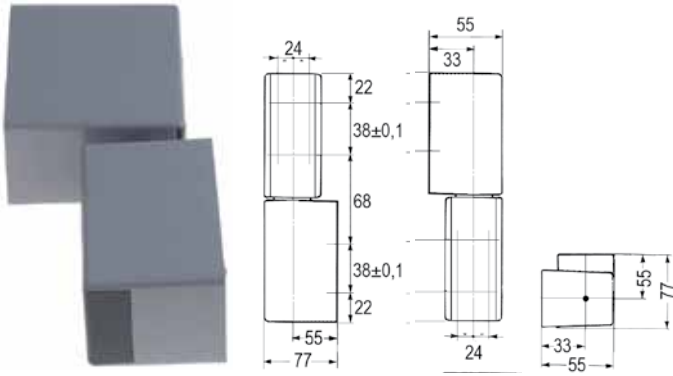
no.	part no.	description	type
1	700843	hinge with lift hinge right hand/left	4003



no.	part no.	description	type
1	690458	hinge 188mm	915
2	691641	hinge 188mm with lift	910
3	690805	cam lift hinge 188mm with spring	920



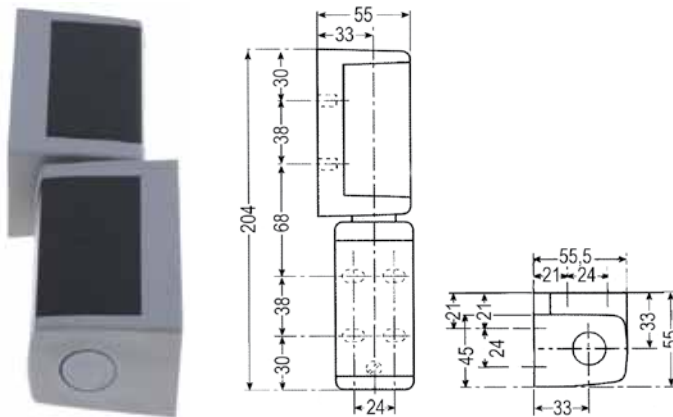
no.	part no.	description	type
1	690311	spacer 5 mm	4003



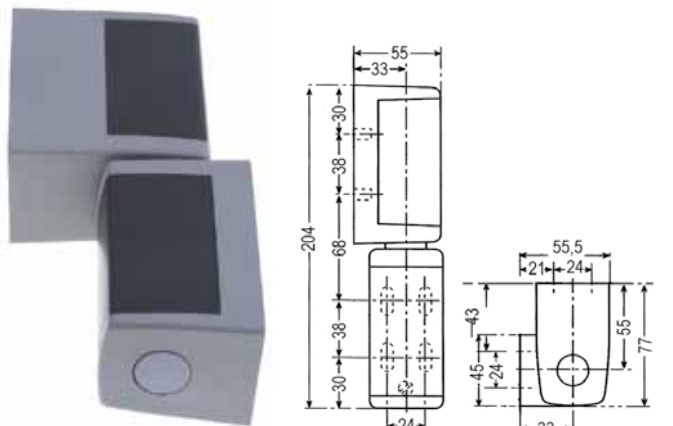
no.	part no.	description	type
1	691643	hinge 188mm	930
2	691644	cam lift hinge 188mm	935
3	691645	cam lift hinge 188mm with spring	940



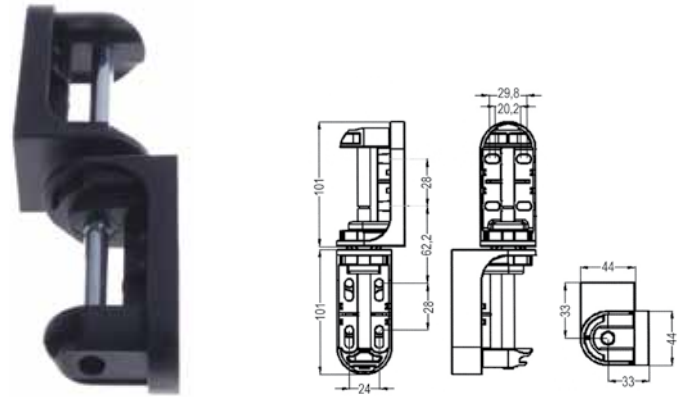
no.	part no.	description	type
1	691642	spacer 5 mm	910-940



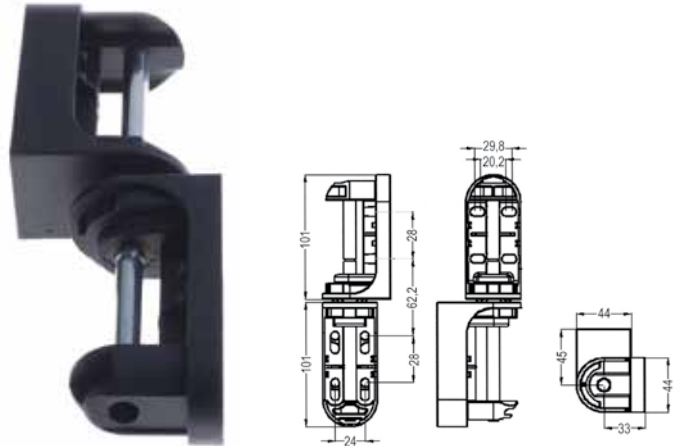
Pos	part no.	description	type
1	690375	hinge 204mm	982
2	690376	cam lift hinge 204mm	983



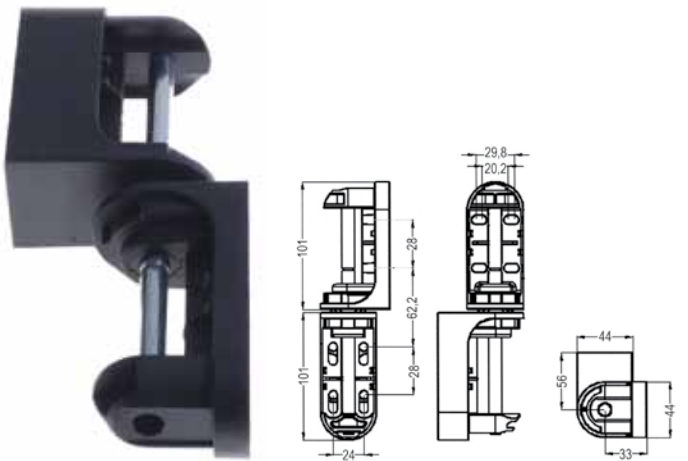
Pos	part no.	description	type
1	690373	hinge 204mm	980
2	690374	cam lift hinge 204mm	981



no.	part no.	description	type
1	690818	cam lift hinge 204mm	4010



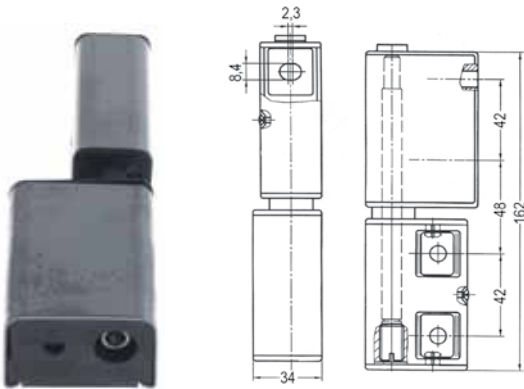
no.	part no.	description	type
1	690819	cam lift hinge 204mm	4010



no.	part no.	description	type
1	690820	cam lift hinge 204mm	4010



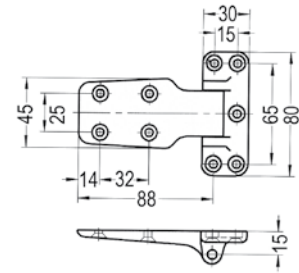
fig.	part no.	description	type
1	690821	cover (pair) grey	4010
2	690822	cover (pair) blue	4010
3	690823	cover (pair) black	4010



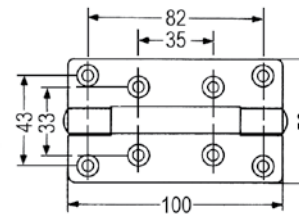
no.	part no.	description	type
1	690269	cam lift hinge 162mm hinge right hand	4006
2	690268	cam lift hinge 162mm hinge left hand	4006

face-mount hinges

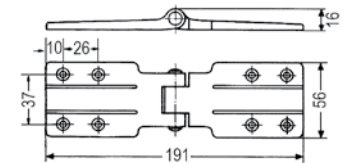
straight



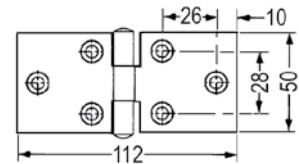
no.	part no.	description	type
1	700092	hinge	3.50.0139



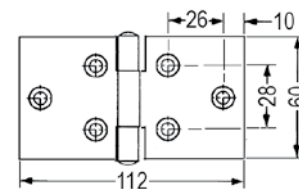
no.	part no.	description	type
1	690259	hinge	492



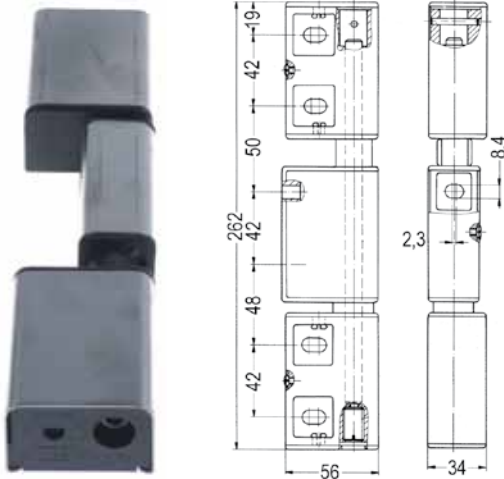
no.	part no.	description	type
1	690260	hinge	1268



no.	part no.	description	type
1	690379	hinge	0894



no.	part no.	description	type
1	690380	hinge	0895



no.	part no.	description	type
1	690266	cam lift hinge 252mm hinge right hand	4004
2	690267	cam lift hinge 252mm with spring assisted, hinge left hand	4004



no.	part no.	description	type
1	690312	spacer 5 mm	4004/4006



no.	part no.	description	suitable for	equiv. no.
1	690049	hinge	Convotherm	6001040



no.	part no.	description	suitable for	equiv. no.
1	690004	hinge	Küppersbusch	407367



no.	part no.	description	suitable for	equiv. no.
1	690074	hinge	Convotherm	6001041



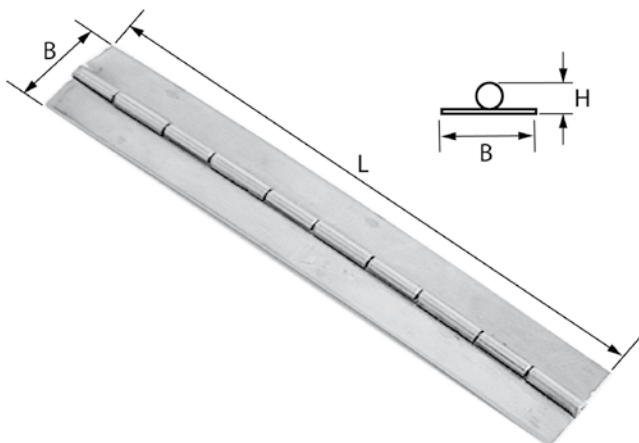
no.	part no.	description	suitable for	equiv. no.
1	690214	hinge	Convotherm	6001032



no.	part no.	description	suitable for	equiv. no.
1	690025	hinge	Juno Electrolux	234603 OH6454

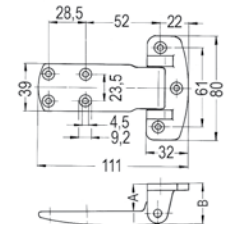


no.	part no.	description	suitable for	equiv. no.
1	690961	hinge	Mercatus	42001001



no.	part no.	description	L (mm)	B (mm)	H (mm)
1	690382	piano hinge	1000	40	1.2

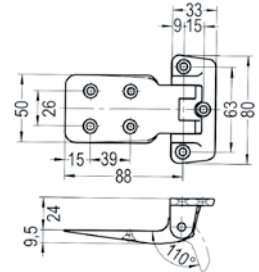
hinges with offset



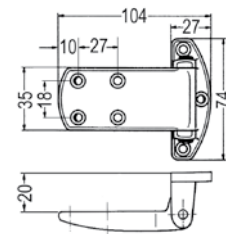
no.	part no.	description	offset (A)	type
1	690286	hinge	20 mm	4480
2	690287	hinge	24 mm	4480
3	690288	hinge	28 mm	4480



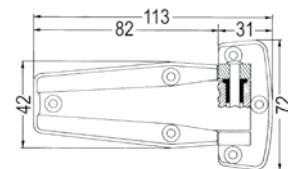
fig.	part no.	description	power	type
1	690319	spacer buck	2 mm	4480
2	690320	spacer tang	0.5 mm	4480



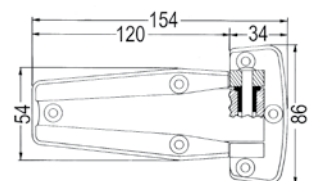
no.	part no.	description	offset (A)	type
1	690059	hinge	24 mm	3.50.0141.0



no.	part no.	description	offset (A)	type
1	690257	hinge	20 mm	422



no.	part no.	description	offset (A)	type
1	700567	hinge	22mm	710



no.	part no.	description	offset (A)	type
1	700568	hinge	22mm	720

spring assisted hinges

spring assisted hinges with Torx bolt



1



2



3

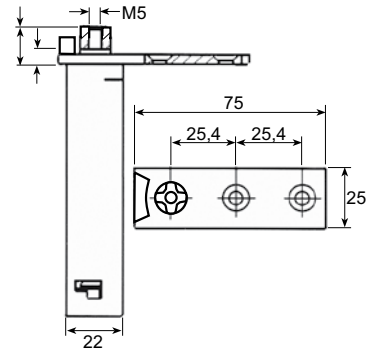


fig.	part no.	mounting position	A (mm)	B (mm)	manufacturer no.	suitable for	equiv. no.
1	700830	right/left	10	14		Fagor	6033010003
2	690582	right/left	11	15.5	175	Polaris Icematic	1412001 19120054/0
3	690494	right/left	11	16	TRS1	universal	

spring assisted hinges with square bolt



1



2



3

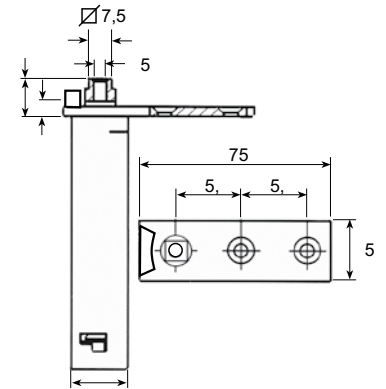


fig.	part no.	mounting position	A (mm)	B (mm)	manufacturer no.	suitable for	equiv. no.
1	700653	right/left	6	11		Ambach	2012000292
2	690574	right/left	11	15	176	Angelo Po Sagi	36M2460 36M2460
3	690459	right bottom left top	12.5	17	R56-1010		



1



2

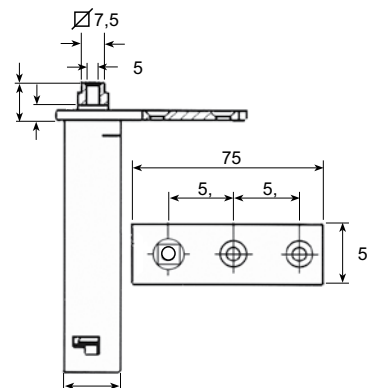


fig.	part no.	mounting position	A (mm)	B (mm)	manufacturer no.	suitable for	equiv. no.
1	690714	right/left	6	11		Mareno	24767.00
2	690622	right/left	13	18	Pivot28/18	Angelo Po Electrolux Zanussi	36G6520 082219 082219

spring assisted hinges

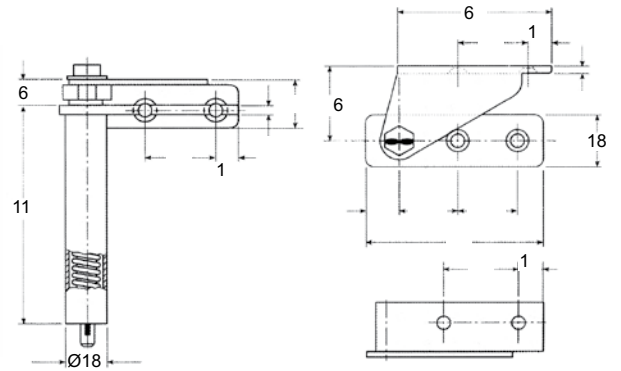


fig.	part no.	mounting position	manufacturer no.	suitable for	equiv. no.
1	690490	right top	TRS3	universal	-

fig.	part no.	mounting position	manufacturer no.	suitable for	equiv. no.
2	690491	left bottom	TRS3	universal	-

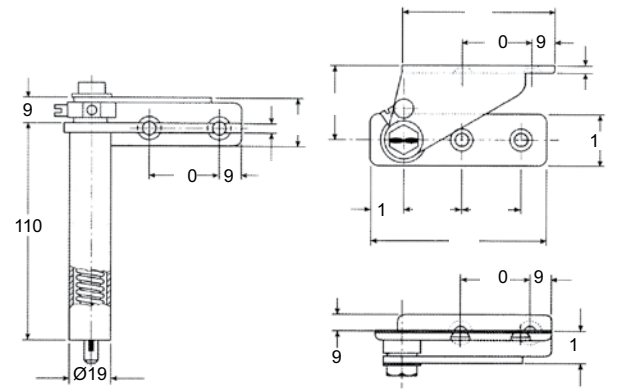


fig.	part no.	mounting position	manufacturer no.	suitable for	equiv. no.
1	690492	right top	TRS4	universal	-

fig.	part no.	mounting position	manufacturer no.	suitable for	equiv. no.
2	690493	left bottom	TRS4	universal	-



fig.	part no.	mounting position	suitable for	equiv. no.
1	700645	left	Desmon	89100100
2	700646	right	Desmon	89000100

fig.	part no.	mounting position	suitable for	equiv. no.
3	700638	left/right	Desmon	89100040 89000040
4	700641	left/right	Desmon	89060300 89060310 89060320 89060330



fig.	part no.	mounting position	suitable for	equiv. no.
1	700607	left/right	Desmon	89110040
2	700620	left/right	Desmon	89000030

fig.	part no.	mounting position	suitable for	equiv. no.
3	700635	left/right	Desmon	89010020



fig.	part no.	mounting position	suitable for	equiv. no.
1	700853	left/right	Infrico	506X03
2	700854	support right	Infrico	506X55
3	700855	support left	Infrico	506X54

fig.	part no.	mounting position	suitable for	equiv. no.
4	700881	support right without spring	Infrico	506X88
5	700882	support left without spring	Infrico	506X89



fig.	part no.	mounting position	suitable for	equiv. no.
1	700877	bottom right	Infrico	506X115
2	700878	top right	Infrico	506X116

fig.	part no.	mounting position	suitable for	equiv. no.
3	700879	support bottom right	Infrico	506X117
4	700880	support top right	Infrico	506X118



fig.	part no.	mounting position	suitable for	equiv. no.
1	690573	bottom right	Angelo Po	36M0350
2	690572	bottom left	Angelo Po	36M0340

fig.	part no.	mounting position	suitable for	equiv. no.
3	690674	bottom right	Angelo Po	6008490
4	690675	bottom left	Angelo Po	6008500

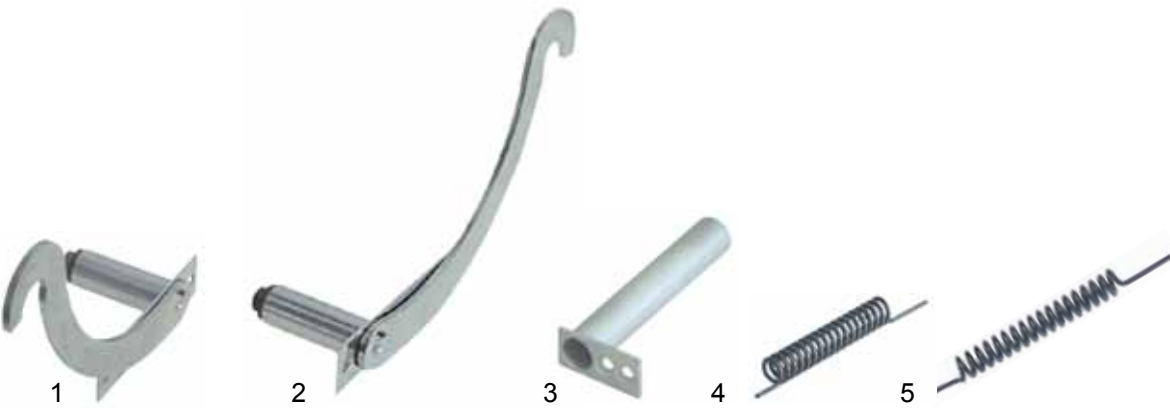


fig.	part no.	mounting position	suitable for	equiv. no.
1	690620	right	Alpeninox	0A8372
2	690621	left	Alpeninox	0A8371
3	690681	-	Alpeninox	0A8039

fig.	part no.	mounting position	suitable for	equiv. no.
4	700087	left	Alpeninox	82179
5	690683	right	Alpeninox	82178

pivot hinges



fig.	part no.	mounting position	suitable for	equiv. no.
1	690791	hinge top right	Angelo Po	30T4790
2	690792	hinge top left	Angelo Po	30T4810

fig.	part no.	mounting position	suitable for	equiv. no.
3	690671	hinge top right	Angelo Po	30T5800
4	690672	hinge top left	Angelo Po	30T5970



fig.	part no.	mounting position	suitable for	equiv. no.
1	690790	hinge top right	Angelo Po	30T1080
2	690793	hinge bottom right	Angelo Po	30T4780

fig.	part no.	mounting position	suitable for	equiv. no.
3	690794	hinge bottom left	Angelo Po	30T4800



fig.	part no.	mounting position	suitable for	equiv. no.
1	690786	hinge top right	Angelo Po	30T1990
2	690787	hinge top left	Angelo Po	30T1980

fig.	part no.	mounting position	suitable for	equiv. no.
3	691157	hinge bottom right	Angelo Po	30T2000
4	690795	plate for spring hinge	Angelo Po	36D9490

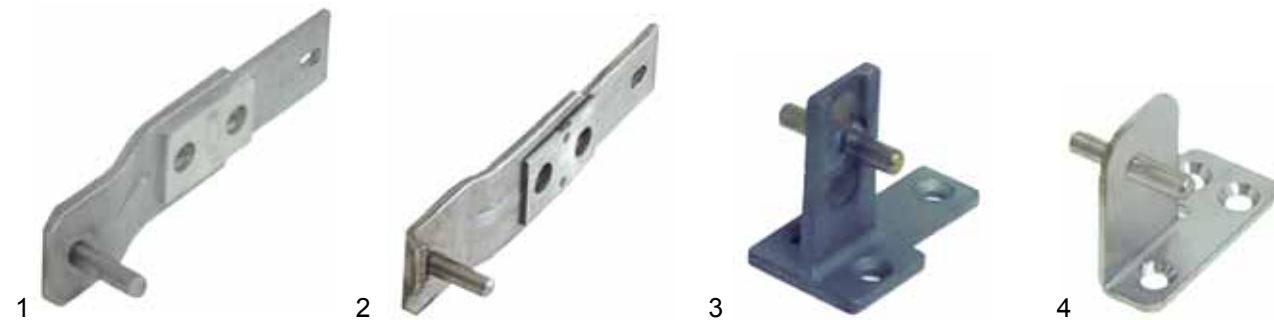


fig.	part no.	mounting position	suitable for	equiv. no.
1	690571	hinge bottom	Angelo Po	30T5810
2	690755	hinge bottom	Angelo Po	30T1950

fig.	part no.	mounting position	suitable for	equiv. no.
3	690788	middle hinge	Angelo Po	36M2610
4	690746	middle hinge	Angelo Po	30T5900



fig.	part no.	mounting position	suitable for	equiv. no.
1	690747	bush	Angelo Po	3178300

fig.	part no.	mounting position	suitable for	equiv. no.
2	695571	door bush	Angelo Po	30M0090



fig.	part no.	mounting position	suitable for	equiv. no.
1	690684	hinge top	Angelo Po	35V7760
2	690685	hinge pin	Angelo Po	33G0440
3	690686	bush	Angelo Po	36G2810
4	690687	spacer	Angelo Po	36D2880

fig.	part no.	mounting position	suitable for	equiv. no.
5	690688	hinge top	Angelo Po	35V8800
6	690689	spacer ring	Angelo Po	35X3460
7	690691	spacer ring	Angelo Po	36C2440



fig.	part no.	mounting position	suitable for	equiv. no.
1	690748	hinge top	Angelo Po	36M2730
2	690686	bush	Angelo Po	36G2810

fig.	part no.	mounting position	suitable for	equiv. no.
3	690751	hinge bottom	Angelo Po	30T2050
4	690749	hinge-counterpart	Angelo Po	36M2740



fig.	part no.	mounting position	suitable for	equiv. no.
1	690740	hinge top	Angelo Po	30T6220
2	690743	bush top	Angelo Po	36D4700

fig.	part no.	mounting position	suitable for	equiv. no.
3	690741	hinge bottom	Angelo Po	36T6230
4	690742	bush bottom	Angelo Po	36D4610



fig.	part no.	mounting position	suitable for	equiv. no.
1	690463	hinge top l/bottom r	Dexion	011561.00R
2	690464	hinge top r/bottom l	Dexion	011563.00R

fig.	part no.	mounting position	suitable for	equiv. no.
3	690370	door spring right	Dexion	011573.00R
4	690371	door spring left	Dexion	011572.00R



fig.	part no.	mounting position	suitable for	equiv. no.
1	690475	spacer plate	Dexion	011575.01R
2	690465	middle hinge	Dexion	011576.00R



fig.	part no.	mounting position	suitable for	equiv. no.
3	690372	spring	Dexion	011574.00R



fig.	part no.	mounting position	L1	L2	suitable for	equiv. no.
1	695548	hinge right	150	55	Friulinox	935316
2	695547	hinge right	165	55	Friulinox	935603
3	690580	hinge right	165	70	Friulinox	935310

fig.	part no.	mounting position	L1	L2	suitable for	equiv. no.
4	690549	hinge left	150	55	Friulinox	935317
5	695546	hinge left	165	55	Friulinox	935604
6	690581	hinge left	165	70	Friulinox	935311

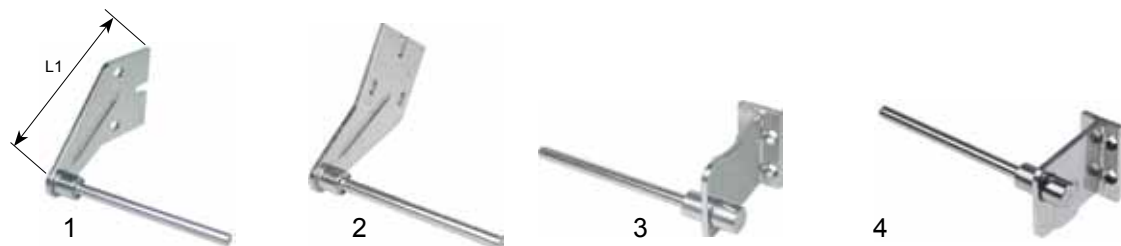


fig.	part no.	mounting position	L1	suitable for	equiv. no.
1	695561	hinge left	115	Friulinox	935315
2	695560	hinge right	115	Friulinox	935314

fig.	part no.	mounting position	suitable for	equiv. no.
3	695556	hinge middle right	Friulinox	935312
4	695557	hinge middle left	Friulinox	935313

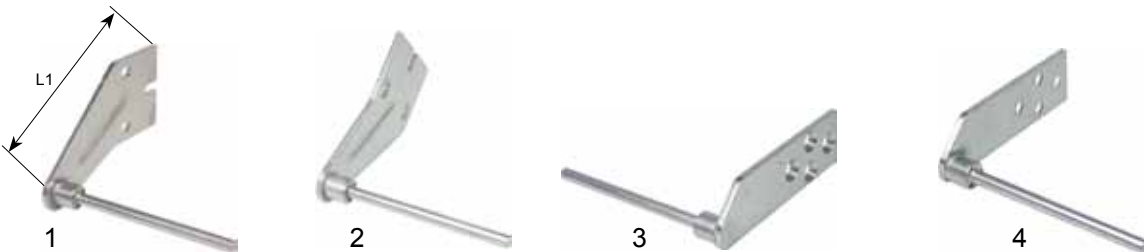


fig.	part no.	mounting position	L1	suitable for	equiv. no.
1	690576	hinge left	130	Friulinox	935309
2	690575	hinge right	130	Friulinox	935308

fig.	part no.	mounting position	suitable for	equiv. no.
3	695555	hinge right	Friulinox	935051
4	695554	hinge left	Friulinox	935216



fig.	part no.	mounting position	suitable for	equiv. no.
1	695551	hinge kit bottom L+R	Friulinox	925630
2	695550	hinge kit top L+R	Friulinox	925629

fig.	part no.	mounting position	suitable for	equiv. no.
3	695552	hinge right	Friulinox	935217
3	695553	hinge left	Friulinox	935218



fig.	part no.	mounting position	suitable for	equiv. no.
1	695559	hinge bottom	Friulinox	925277
2	695562	hinge top	Friulinox	925272

fig.	part no.	mounting position	suitable for	equiv. no.
3	695565	hinge bottom	Friulinox	925523
4	695558	hinge top	Friulinox	925276



fig.	part no.	mounting position	suitable for	equiv. no.
1	695567	lid hinge right	Friulinox	925452
2	695568	lid hinge left	Friulinox	925453

fig.	part no.	mounting position	suitable for	equiv. no.
3	695569	hinge kit top	Friulinox	925631

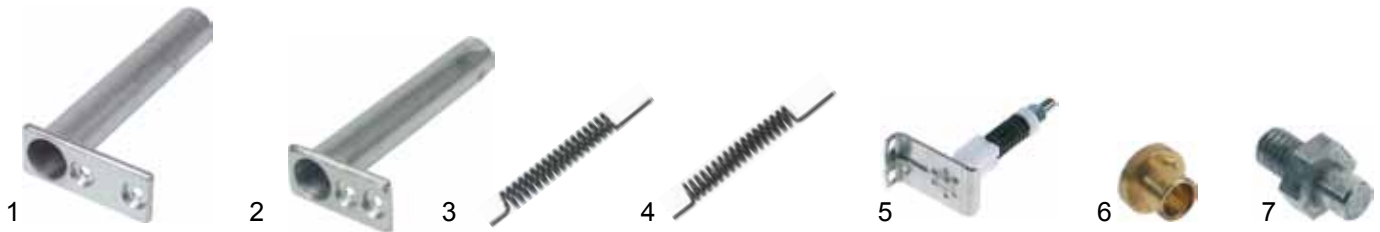


fig.	part no.	mounting position	suitable for	equiv. no.
1	690577	door hinge bearing	Friulinox	935318
2	695564	door hinge bearing	Friulinox	935084
3	690578	torsion spring right	Friulinox	935057
4	690579	torsion spring left	Friulinox	935058

fig.	part no.	mounting position	suitable for	equiv. no.
5	690552	return spring left	Friulinox	925273
6	695563	bush	Friulinox	925274
7	695566	hinge pin M6	Friulinox	925035



fig.	part no.	description	suitable for	equiv. no.
1	692078	hinge bottom left	Ilsa	26403
2	692079	door stop bottom left	Ilsa	18864

fig.	part no.	description	suitable for	equiv. no.
3	692076	hinge bottom right	Ilsa	26402
4	692077	door stop bottom right	Ilsa	18855



fig.	part no.	description	suitable for	equiv. no.
1	692074	hinge top left	lisa	26401
2	692073	hinge top right	lisa	26400

fig.	part no.	description	suitable for	equiv. no.
3	692080	bearing bolt, centre	lisa	18779



fig.	part no.	description	suitable for	equiv. no.
1	691965	hinge bottom	lisa	30874
2	692075	hinge top right	lisa	30344

fig.	part no.	description	suitable for	equiv. no.
3	692085	hinge top left	lisa	30379
4	692072	hinge middle	lisa	31282



fig.	part no.	description	suitable for	equiv. no.
1	691964	spring assembly bottom left/top right	lisa	30874
2	692071	spring assembly bottom right/top left	lisa	30344

fig.	part no.	description	suitable for	equiv. no.
3	692081	spring bottom left/top right	lisa	30379
4	692082	spring bottom right/top left	lisa	31282



fig.	part no.	description	suitable for	equiv. no.
1	690756	hinge	Mareno	4621700
2	690757	bush	Mareno	4621214

fig.	part no.	description	suitable for	equiv. no.
3	690758	pin	Mareno	4637514
4	690759	middle hinge	Mareno	4622224



fig.	part no.	description	suitable for	equiv. no.
1	690712	hinge	Mareno	2516012
2	690710	hinge	Mareno	2592900

fig.	part no.	description	suitable for	equiv. no.
3	690708	bush	Mareno	2594400



fig.	part no.	mounting position	suitable for	equiv. no.
1	690537	hinge right	Polaris	32140097
2	690538	hinge left	Polaris	32140098

fig.	part no.	mounting position	suitable for	equiv. no.
3	690539	hinge right	Polaris	14850002



fig.	part no.	mounting position	suitable for	equiv. no.
1	690639	hinge top	Zanussi	082257
2	690628	hinge bottom	Zanussi	082350
3	690651	hinge top	Zanussi	083716

fig.	part no.	mounting position	suitable for	equiv. no.
4	690638	hinge bottom	Zanussi	082500
5	690643	hinge bottom	Zanussi	0A9097



fig.	part no.	mounting position	suitable for	equiv. no.
1	690627	hinge bottom	Zanussi	082256
2	690644	hinge top	Zanussi	0A9266
3	690635	hinge right	Zanussi	082499

fig.	part no.	mounting position	suitable for	equiv. no.
4	690634	hinge left	Zanussi	082501
5	690652	hinge top	Zanussi	083751

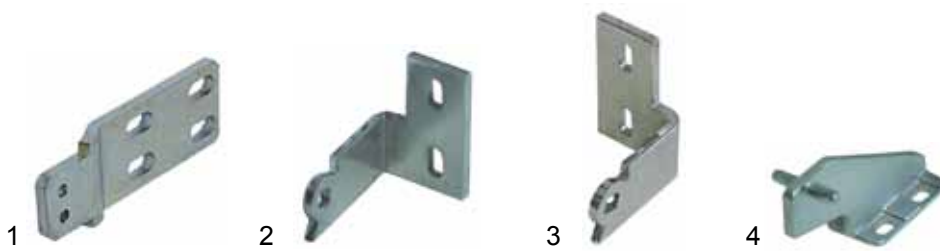


fig.	part no.	mounting position	suitable for	equiv. no.
1	690649	hinge	Zanussi	0A9174
2	690623	hinge right	Zanussi	081655

fig.	part no.	mounting position	suitable for	equiv. no.
3	690624	hinge left	Zanussi	081656
4	690625	middle hinge	Zanussi	082374

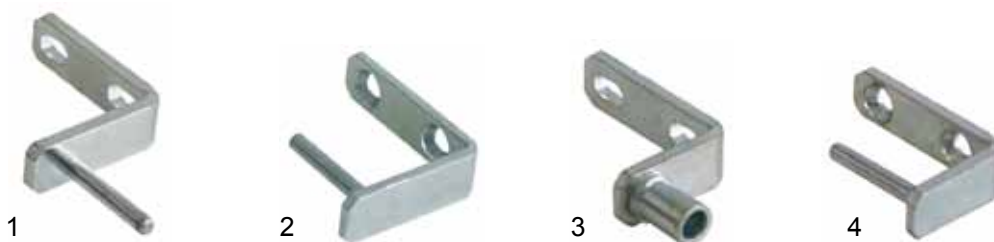


fig.	part no.	mounting position	suitable for	equiv. no.
1	690693	hinge top	Zanussi	084520
2	690694	hinge bottom	Zanussi	084519

fig.	part no.	mounting position	suitable for	equiv. no.
3	690698	hinge top	Zanussi	084535
4	690785	hinge bottom	Zanussi	084534



fig.	part no.	mounting position	suitable for	equiv. no.
1	690655	hinge right	Zanussi	082721
2	690656	hinge left	Zanussi	082722
3	690661	hinge left/right	Zanussi	082756

fig.	part no.	mounting position	suitable for	equiv. no.
4	690699	middle hinge	Zanussi	082754
5	700079	hinge left/right	Zanussi	0A8687
6	700083	hinge	Zanussi	0A8072



fig.	part no.	mounting position	suitable for	equiv. no.
1	690665	hinge right	Zanussi	0A8973
2	690679	hinge left	Zanussi	0A8974
3	690664	hinge bottom	Zanussi	0A8455

fig.	part no.	mounting position	suitable for	equiv. no.
4	690629	hinge right	Zanussi	081809
5	690630	hinge left	Zanussi	081808



fig.	part no.	description	suitable for	equiv. no.
1	690648	pin M5	Zanussi	082962
2	690632	pin ø5mm	Zanussi	082757

fig.	part no.	description	suitable for	equiv. no.
3	700080	pin ø6mm	Zanussi	0A8689
4	690667	pin ø6mm	Zanussi	0A8073



fig.	part no.	description	suitable for	equiv. no.
1	690757	bush H2.5mm	Zanussi	081654
2	690747	bush H5mm	Zanussi	0A8856
3	690645	bush	Zanussi	0A9096

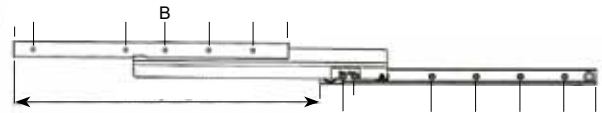
fig.	part no.	description	suitable for	equiv. no.
4	690631	bush ø5mm	Zanussi	081807
5	690666	bush ø6mm	Zanussi	0A8074



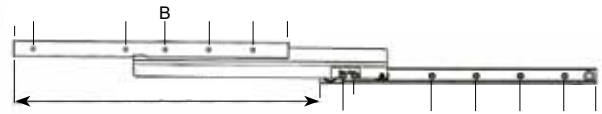
fig.	part no.	description	suitable for	equiv. no.
1	690647	bush	Zanussi	082964
2	690646	bush	Zanussi	0A9092

fig.	part no.	description	suitable for	equiv. no.
3	690695	bush	Zanussi	084521
4	690696	bush	Zanussi	084528

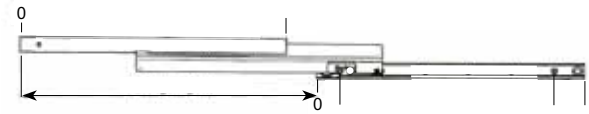
drawer slides (stainless steel)



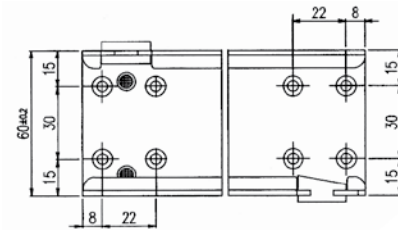
no.	part no.	Qty	L (mm)	AW (mm)	A (mm)	B (mm)	C (mm)	D (mm)	E (mm)	F (mm)	G (mm)	H (mm)	suitable for
1	690600	1 pair	450	470	175	300	425	---	160	288	416	---	Merzroller
2	690601	1 pair	500	520	198	323	473	---	160	320	448	---	Merzroller
3	690602	1 pair	550	570	225	365	515	---	192	352	485	---	Merzroller
4	690603	1 pair	600	620	250	424	573	---	192	352	542	---	Merzroller
5	690604	1 pair	650	670	275	450	625	---	192	352	608	---	Merzroller
6	690605	1 pair	700	720	150	300	500	675	192	352	512	642	Merzroller



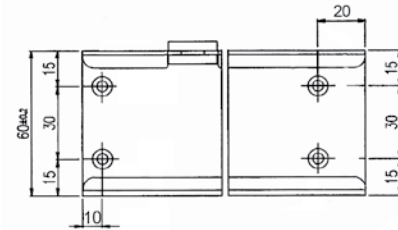
no.	part no.	Qty	L (mm)	AW (mm)	A (mm)	B (mm)	C (mm)	D (mm)	E (mm)	F (mm)	G (mm)	H (mm)	suitable for
1	696334	1 pair	450	495	156	348	---	---	163	355	---	---	Fulterer
2	696335	1 pair	500	545	156	348	444	---	163	355	451	---	Fulterer
3	696336	1 pair	550	595	156	348	476	---	163	355	483	---	Fulterer
4	696337	1 pair	600	645	156	348	540	---	163	355	547	---	Fulterer
5	696338	1 pair	650	695	156	348	540	---	163	355	547	---	Fulterer



no.	part no.	Qty	L (mm)	AW (mm)	A (mm)	B (mm)	suitable for
1	691636	1 pair	580	620	35	548	Fulterer



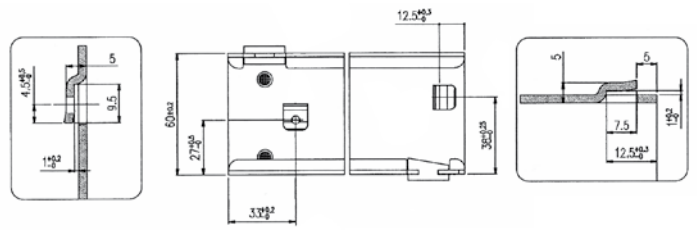
no.	part no.	Qty	L (mm)	AW (mm)	suitable for	equiv. no.
1	696342	1 pair	450	510	Infrico universal	503X31
2	696343	1 pair	500	560	Infrico universal	503X42
3	690753	1 pair	550	610	Angelo Po Infrico universal	503X32
4	690752	1 pair	600	660	Angelo Po Angelo Po universal	36M2700 36M2710



no.	part no.	Qty	L (mm)	AW (mm)	suitable for	equiv. no.
1	690606	1 pair	500	490	universal	
2	690607	1 pair	550	540	universal	
3	690608	1 pair	600	590	universal	

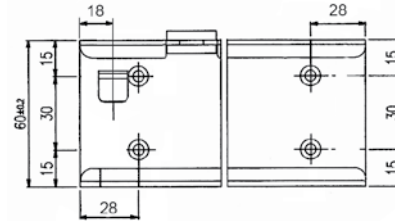
23

Locks and fittings



no.	part no.	Qty	L (mm)	AW (mm)	suitable for	equiv. no.
1	690773	right	578	520	Zanussi	084437
2	690774	left	578	520	Zanussi	084438
3	690653	right	580	550	Zanussi	082760
4	690654	left	580	550	Zanussi	082761

no.	part no.	Qty	L (mm)	AW (mm)	suitable for	equiv. no.
5	690722	1 pair	590		universal	
6	690744	1 pair	600		universal	
7	690724	1 pair	687		universal	



no.	part no.	Qty	L (mm)	AW (mm)	suitable for	equiv. no.
1	690613	1 pair	570	-	Friulinox	990160

no.	part no.	Qty	L (mm)	AW (mm)	suitable for	equiv. no.
2	690612	1 pair	660	-	Friulinox	990204

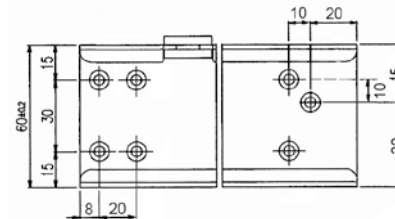


fig.	part no.	Qty	L (mm)	AW (mm)	suitable for	equiv. no.
1	690611	1 pair	600	-	Friulinox	990005



fig.	part no.	Qty	L (mm)	AW (mm)	suitable for	equiv. no.
1	690721	1 pair	490	410	Dexion	01513600R

fig.	part no.	Qty	L (mm)	AW (mm)	suitable for	equiv. no.
1	691339	1 pair	525	-	Mareno	1031006100



no.	part no.	Qty	L (mm)	AW (mm)	suitable for	equiv. no.
1	690770	left	500	400	Angelo Po	36M1660

no.	part no.	Qty	L (mm)	AW (mm)	suitable for	equiv. no.
2	690771	right	500	400	Angelo Po	36M2650

accessories



1



2



3



4

no.	part no.	description
1	690750	stop plate
2	696333	stop plate

no.	part no.	description
3	690801	stopper
4	690803	stopper with rivet



1



2



3



4



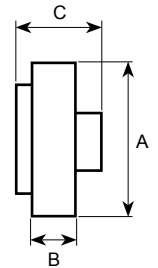
5



6



7



no.	part no.	material	A	B	C
1	690361	SS	23	6.3	8
2	690363	SS	33.3	7.9	9.5
3	690357	zinc-plated	22	5.5	7.1
4	690359	zinc-plated	25.4	5.5	7.1

no.	part no.	material	A	B	C
5	690358	steel zinc-plated	25.4	7.9	9.5
6	690362	steel zinc-plated	33.3	7.9	9.5
7	690360	plastic	25.4	5.5	7.1



1



2



3



4



5



6



7

fig.	part no.	material	A
1	690364	rivet $\varnothing 6.3 \times 13 \text{mm}$	1
2	690365	rivet $\varnothing 6.3 \times 23 \text{mm}$	1
3	560219	screw M6x14mm	20
3	560220	screw M6x20mm	20
3	560221	screw M6x25mm	20

fig.	part no.	material	A
4	690368	disc $\varnothing 6 \times 0.8 \text{mm}$	1
5	690366	disc $\varnothing 6 \times 2.5 \text{mm}$	1
6	690367	disc $\varnothing 6 \times 5.5 \text{mm}$	1
7	560133	nut M6	20



1



2



3



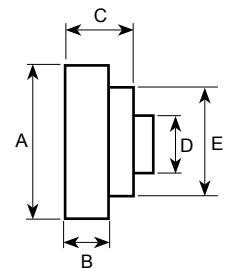
4



5



6



no.	part no.	material	A	B	C	D	E
1	690680	tefflon	24	6	9	6	10
1	690476	tefflon	24	6	9	6	11
2	690466	rubber	25	6	10	6	10
3	690467	tefflon	28	6	14	6	12

no.	part no.	material	A	B	C	D	E
4	690709	rubber	28	6	10.5	6	13
5	690920	plastic	24	6	11.6	10	M6
6	690804	tefflon					



1



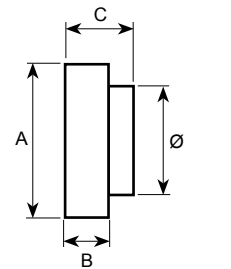
2



3



4



no.	part no.	description	material	B	C	D	E
1	690701	ball bearing	rubber	28	6	7.5	8
2	690702	rivet	rivet $\varnothing 8 \times 11 \text{mm}$				

no.	part no.	description	material	B	C	D	E
3	690802	ball bearing with rivet	SS	19	6	8	6
4	691928	roller	plastic	32	11		

fittings for sliding doors



fig.	part no.	description	material	suitable for
1	691966	roller in the front	SS/nylon	universal
2	691969	roller at the back	SS/nylon	universal
3	691967	roller in the front	SS/nylon, ball bearing	universal

fig.	part no.	description	material	suitable for
4	691970	roller at the back	SS/nylon, ball bearing	universal
5	691968	roller in the front	SS/SS, ball bearing	universal
6	691971	roller at the back	SS/SS, ball bearing	universal



fig.	part no.	description	material	suitable for
1	690350	roller in the front	StVz/nylon	universal
2	690352	roller at the back	StVz/nylon	universal

fig.	part no.	description	material	suitable for
3	690351	roller in the front	zinc-plated/zinc-plated	universal
4	690353	roller at the back	zinc-plated/zinc-plated	universal



fig.	part no.	description	suitable for	equiv. no
1	690567	roller in the front	SSP	855309701
2	690568	roller in the front with door stopper adapter right	SSP	855320600
3	690569	roller at the back	SSP	855309801

fig.	part no.	description	suitable for	equiv. no
4	690711	roller in the front	SSP	855309601
5	690713	roller in the front with door stopper adapter left	SSP	855358100
6	690570	door stopper	SSP	140403100



fig.	part no.	description	suitable for	equiv. no
1	690955	roller	Emainox	2330706
2	693730	support at the back	Nayati	SS1601

fig.	part no.	description	suitable for	equiv. no
3	693731	support in the front	Nayati	SS1602
4	693732	roller	Nayati	SS2045



fig.	part no.	description	suitable for	suitable for
1	690354	door guides	universal	
2	690355	door stopper	universal	

fig.	part no.	description	suitable for	equiv. no
3	690356	guiding pin	universal	
4	693733	door guides	Nayati	SS4350

accessories for cabinets



fig.	part no.	description	material	suitable for
1	690131	shelf support right	brass nickel-plated	universal
2	690132	shelf support left	brass nickel-plated	universal

fig.	part no.	description	material	suitable for
3	690133	shelf support	brass nickel-plated	universal
4	690134	shelf support	aluminium	universal



fig.	part no.	description	material	suitable for
1	690330	pilaster 1meter	SS	universal
2	690331	shelf support	SS	universal

fig.	part no.	description	material	equiv. no.
3	690332	shelf support	SS	universal



fig.	part no.	description	suitable for	equiv. no.
1	693481	shelf support	Emainox	3380001
2	690626	shelf support	SSP	531306100

fig.	part no.	description	suitable for	equiv. no.
3	690969	shelf support	Desmon	P99-0036
4	691835	shelf support	Iarp	160471

oven hinges

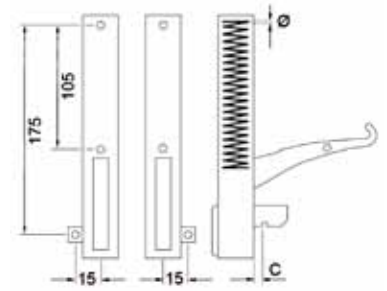
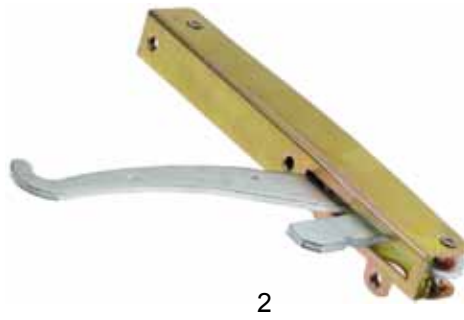
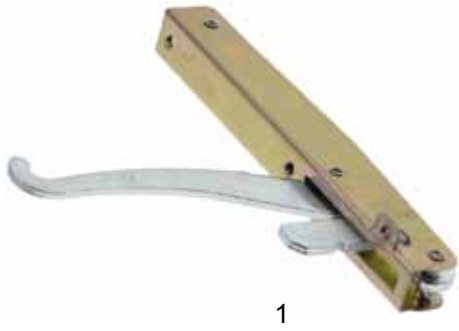


fig.	part no.	mounting ear	ø(mm)	C (mm)	counterpart	suitable for	equiv. no.
1	700004	right	3.5	7	A	Mareno	1304600
1	700007	right	3.5	11	A	universal	
1	690534	right	4.0	11	A	Emmepi	C10080

fig.	part no.	mounting ear	ø(mm)	C (mm)	counterpart	suitable for	equiv. no.
2	700005	left	3.5	7	A	Mareno	1304700
2	700006	left	3.5	11	A	universal	
2	690533	left	4.0	11	A	Emmepi	C10079

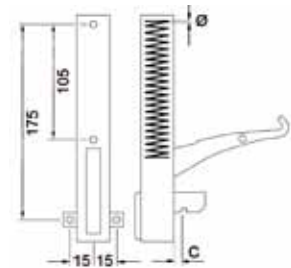
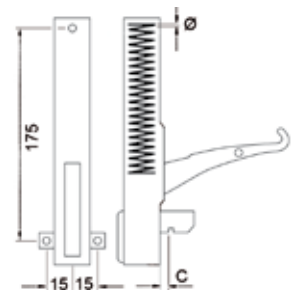


fig.	part no.	mounting ear	ø(mm)	C (mm)	counterpart	suitable for	equiv. no.
1	700164	left/right	3.5	5	A	Mareno	CM041300

fig.	part no.	mounting ear	ø(mm)	C (mm)	counterpart	suitable for	equiv. no.
2	700820	left/right	3.5	11	A	Fagor	U020528000



Pos.	part no.	mounting ear	ø(mm)	C (mm)	counterpart	suitable for	equiv. no.
1	700010	left/right	3	10	A	Electrolux Zanussi Zanussi	0C0203 050766 059277

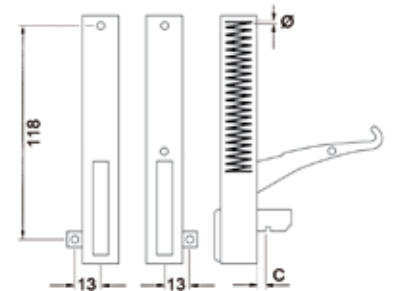
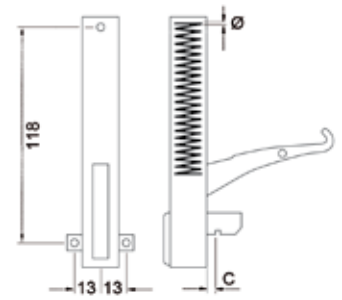


fig.	part no.	mounting ear	ø(mm)	C (mm)	counterpart	suitable for	equiv. no.
1	690349	left	3.8	8	B, C	STAR 10	55905

fig.	part no.	mounting ear	ø(mm)	C (mm)	counterpart	suitable for	equiv. no.
2	690324	right	3.8	8	B, C	STAR 10	55904



no.	part no.	mounting ear	ø(mm)	C (mm)	counterpart	suitable for	equiv. no.
1	700025	left/right	3	8	B, C	universal	



1



2

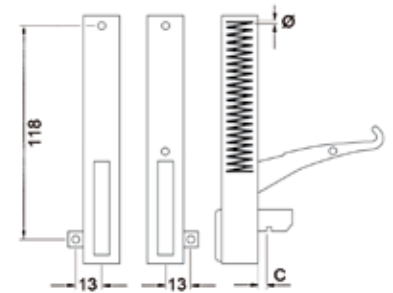


fig.	part no.	mounting ear	ø(mm)	C (mm)	counterpart	suitable for	equiv. no.
1	700676	left	3	8	C, G, H	Smeg	931330289
2	700675	right	3	8	C, F, I	Smeg	931330288



1



2

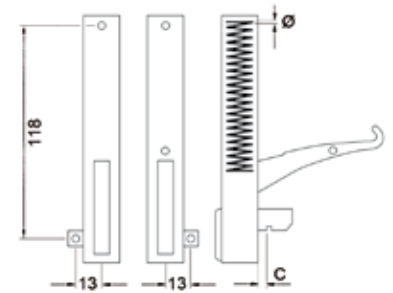


fig.	part no.	mounting ear	ø(mm)	C (mm)	counterpart	suitable for	equiv. no.
1	690499	left	4	12	B	MBM MBM Techninox	9626107100 RIC0002136 RC00803000
2	690498	right	4	12	B	MBM MBM Techninox	9626107000 RIC0002135 RC00802000



1



2

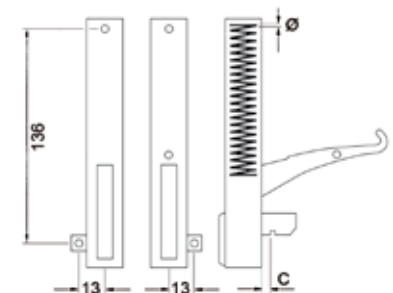
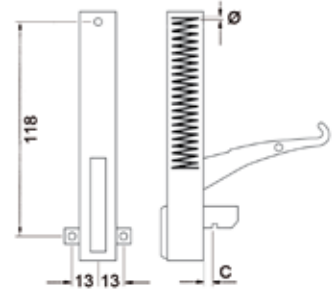


fig.	part no.	mounting ear	ø(mm)	C (mm)	counterpart	suitable for	equiv. no.
1	700674	left	3.8	12	H	Smeg	931330250
1	700669	left	4.2	12	H	Smeg	931330807
2	700673	right	3.8	12	F, K	Smeg	931330249
2	700670	right	4.2	12	K	Smeg	931330808



no.	part no.	mounting ear	ø(mm)	C (mm)	counterpart	suitable for	equiv. no.
1	690032	left/right	3.5	6	D	Lotus	531007300

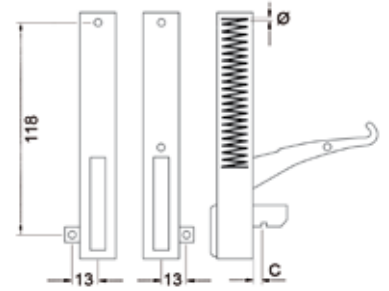
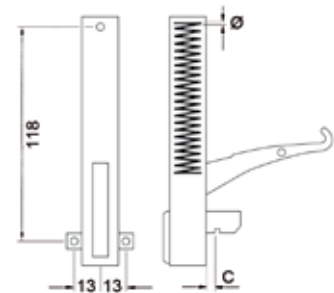


fig.	part no.	mounting ear	ø(mm)	C (mm)	counterpart	suitable for	equiv. no.	fig.	part no.	mounting ear	ø(mm)	C (mm)	counterpart	suitable for	equiv. no.
1	700013	left	3.5	12	B	Berto's Giga Mareno MBM MBM	22607800 X68021 1031102000 9626105100 RIC0002134	2	700014	right	3.5	12	B	Berto's Giga Mareno MBM MBM	22608100 X68020 1031105500 9626105000 RIC0002133



no.	part no.	mounting ear	ø(mm)	C (mm)	counterpart	suitable for	equiv. no.
1	690700	left/right	4	12	B	MBM	9980699512 RIC0003282

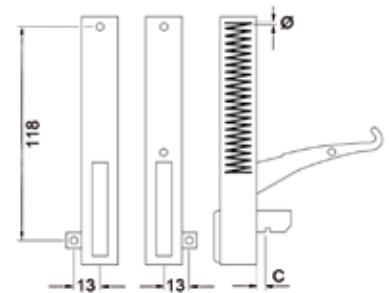
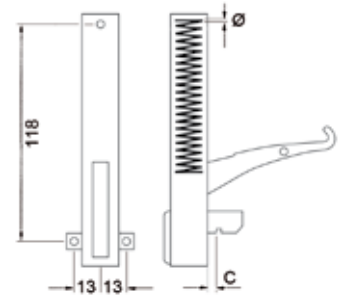


fig.	part no.	mounting ear	ø(mm)	C (mm)	counterpart	passend for	equiv. no.	fig.	part no.	mounting ear	ø(mm)	C (mm)	counterpart	suitable for	equiv. no.
1	700016	left	3.5	11	B	Foem Mareno	05150024501 1031105900	2	700015	right	3.5	11	B	Foem Mareno	05150024401 1031105800



no.	part no.	mounting ear	ø(mm)	C (mm)	counterpart	suitable for	equiv. no.
1	690030	left/right	3.5	11	B	Lotus Mareno Modular	531007100 1034400400 68402200

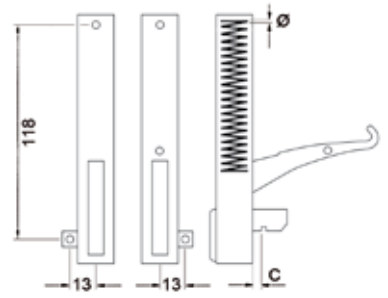


fig.	part no.	mounting ear	ø(mm)	C (mm)	counterpart	suitable for	equiv. no.	fig.	part no.	mounting ear	ø(mm)	C (mm)	counterpart	suitable for	equiv. no.
1	690035	left	3.5	11	Lotus	B	531005300	2	690034	right	3.5	11	B	Lotus	531007400

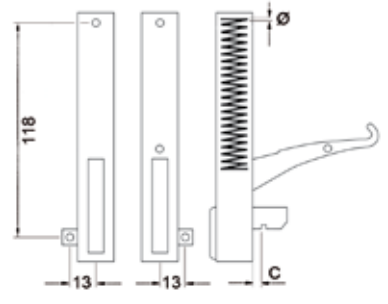


fig.	part no.	mounting ear	ø(mm)	C (mm)	counterpart	suitable for	equiv. no.	fig.	part no.	mounting ear	ø(mm)	C (mm)	counterpart	suitable for	equiv. no.
1	700554	left	3.5	7	C	Küppersbusch	133764	2	700553	right	3.5	7	C	Küppersbusch	133765

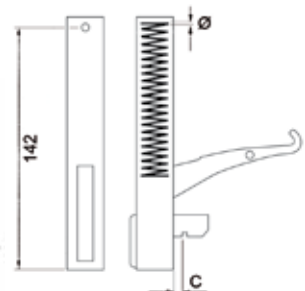


fig.	part no.	mounting ear	ø(mm)	C (mm)	counterpart	suitable for	equiv. no.	fig.	part no.	mounting ear	ø(mm)	C (mm)	counterpart	suitable for	equiv. no.
1	700000	left/right	3.5	12	C, Q, R	Tecnoeka	1980859512	3	700459	left/right	3.5	7	C	Olis Roller Grill	A035980 B09005
2	700433	left/right	4	12	C, Q, R	Tecnoeka	9981619512								



1



2



3

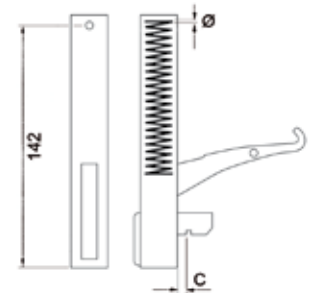


fig.	part no.	mounting ear	ø(mm)	C (mm)	counterpart	passend for	equiv. no.
1	700624	left/right	3.2	13	F, G	Smeg	931330461
2	700672	left/right	4	13	G, K, P	Smeg	931330806

fig.	part no.	mounting ear	ø(mm)	C (mm)	counterpart	suitable for	equiv. no.
3	700671	left/right	4	11	G, K, P	Smeg	931330656



1



2

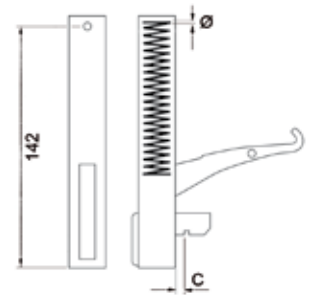


fig.	part no.	mounting ear	ø(mm)	C (mm)	counterpart	passend for	equiv. no.
1	700623	left/right	3	14	L	GAM Smeg Piron	RFORM17 931330805 7424000003

fig.	part no.	mounting ear	ø(mm)	C (mm)	counterpart	suitable for	equiv. no.
2	700627	left/right	3.5	14	L	Smeg Smeg	931330887 931331154



1



2

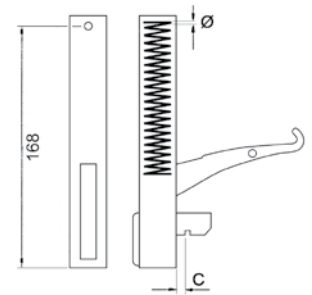
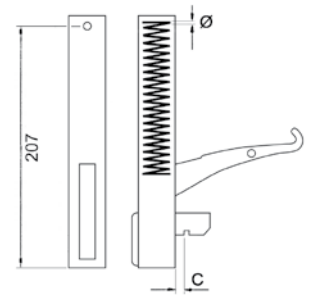
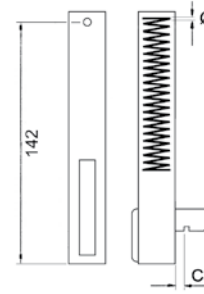


fig.	part no.	mounting ear	ø(mm)	C (mm)	counterpart	suitable for	equiv. no.
1	700738	left/right	4	11	M	RM Gastro	408790300

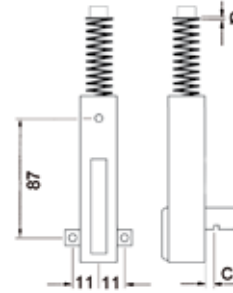
fig.	part no.	mounting ear	ø(mm)	C (mm)	counterpart	suitable for	equiv. no.
2	700456	left/right	3.5	11	S	Zanussi Zanussi	056339 058933



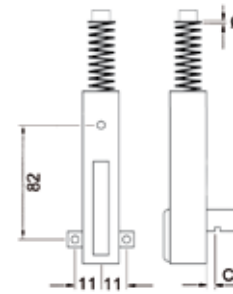
no.	part no.	mounting ear	ø(mm)	C (mm)	counterpart	suitable for	equiv. no.
1	690037	left/right	4.5	13	T	Lotus	531008200



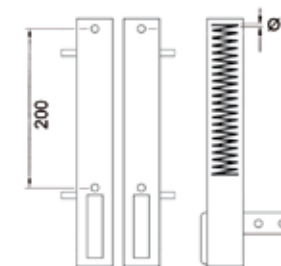
no.	part no.	mounting ear	ø(mm)	C (mm)	counterpart	suitable for	equiv. no.
1	700390	left/right	3	12	-	Foinox	15062



no.	part no.	Qty	mounting ear	ø(mm)	C (mm)	counterpart	suitable for	equiv. no.
1	700760	1 pair	left/right	2.8	12	-	Unox Unox Unox	KCR020 CR1065A0 CR1070A0



no.	part no.	Qty	mounting ear	ø(mm)	C (mm)	counterpart	suitable for	equiv. no.
1	700759	1 pair	left/right	3	9	-	Unox Unox Unox Unox	KCR012 KCR013 CR1000A0 CR1025A0



no.	part no.	Qty	mounting ear	ø(mm)	C (mm)	counterpart	suitable for	equiv. no.
1	690560	1 pair	left/right	3.6	-	-	Gico	A00006



no.	part no.	mounting ear	ø(mm)	C (mm)	counterpart	suitable for	equiv. no.
1	700704	left/right	2	5	Angelo Po	36M0190	531008200

oven hinges

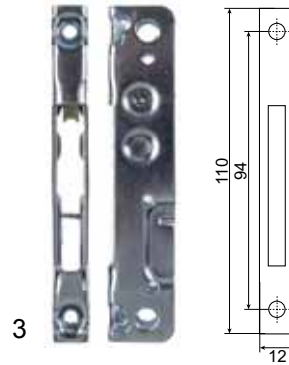
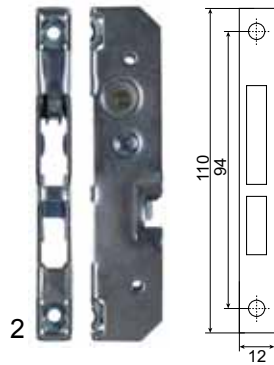
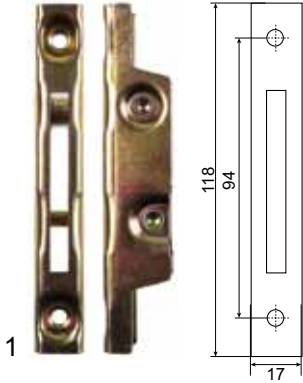


fig.	Bestell.no.	type	A (mm)	suitable for	equiv. no.
1	700001	A		universal	--
2	700003	B		universal	--

fig.	part no.	type	A (mm)	suitable for	equiv. no.
3	693045	C		universal	--

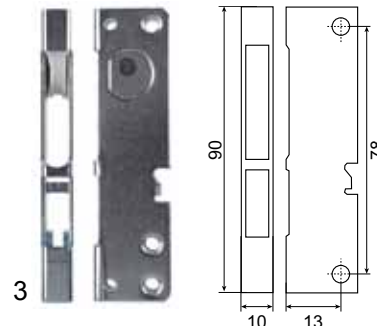
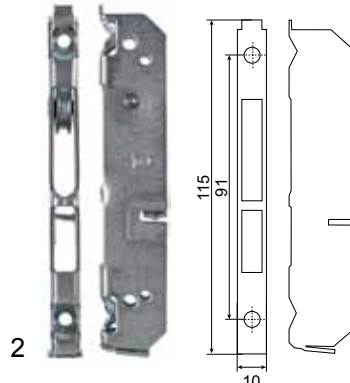
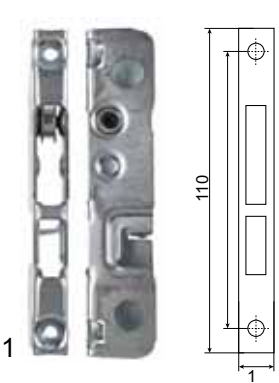


fig.	Bestell.no.	type	A (mm)	suitable for	equiv. no.
1	690039	D		Lotus	531012400
2	700739	M		RM Gastro	408790310

fig.	part no.	type	A (mm)	suitable for	equiv. no.
3	700457	S		Zanussi	058934 056439



fig.	Bestell.no.	mounting position	type	suitable for	equiv. no.
1	700633	left	G	Smeg	685970012
2	700625	right	F	Smeg	685970011
3	700677	left	H	Smeg	685970027

fig.	part no.	mounting position	type	suitable for	equiv. no.
4	700678	right	I	Smeg	685970026
5	700681	right	K	Smeg Smeg	685970043 685970024

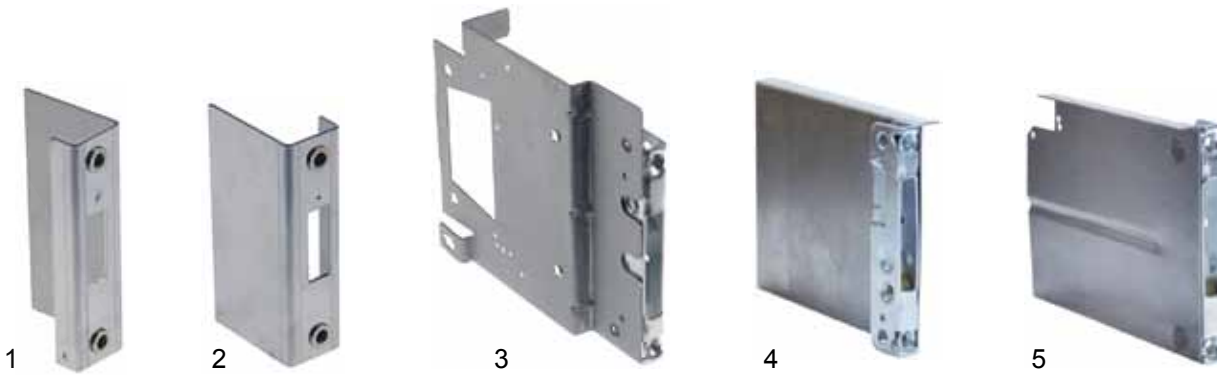


fig.	Bestell.no.	mounting position	type	suitable for	equiv. no.
1	700628	right	L	Smeg	698290716
2	700629	left	L	Smeg	698290717
3	693931	right	P	Smeg	685970017 685970017

fig.	part no.	mounting position	type	suitable for	equiv. no.
4	700706	right	Q	Tecnoeka	1981599512
5	700707	left	R	Tecnoeka	1981589512

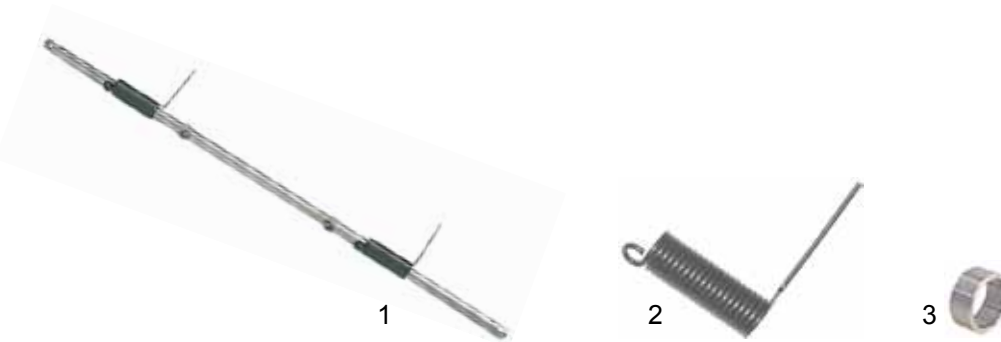


fig.	Bestell.no.	description	suitable for	equiv. no.
1	690369	hinge	Baumeister	-
2	690029	spring	Baumeiser	-

fig.	part no.	description	suitable for	equiv. no.
3	690348	spacer ring	Baumeister	-



fig.	Bestell.no.	description	suitable for	equiv. no.
1	700400	hinge right	Ambach	3512016349
2	700401	hinge left	Ambach	3512016350

fig.	part no.	description	suitable for	equiv. no.
3	700402	spacer ring	Ambach	3031414396

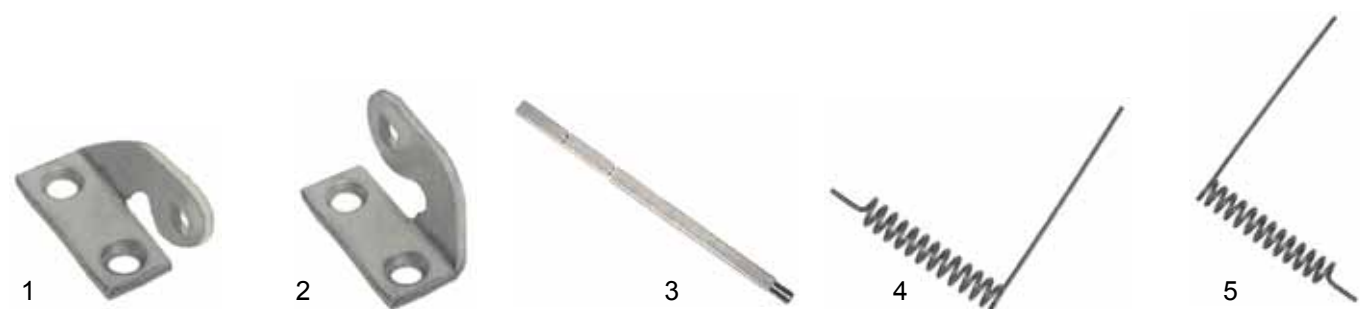


fig.	Bestell.no.	description	suitable for	equiv. no.
1	700029	hinge right	Juno series 71/72 static	820596
2	700094	hinge left	Juno series 71/72 static	821830
3	700024	hinge rod	Juno series 71/72 static	234612

fig.	part no.	description	suitable for	equiv. no.
4	700022	spring right	Juno series 71/72 static	245663
5	700023	spring left	Juno series 71/72 static	245664



fig.	Bestell.no.	description	suitable for	equiv. no.
1	700436	hinge right/left	Juno series 71 umluft	828931
2	693742	hinge rod	Juno series 71 umluft	224242

fig.	part no.	description	suitable for	equiv. no.
3	700426	spring right	Juno series 71 umluft	279830
4	700427	spring left	Juno series 71 umluft	279829



fig.	Bestell.no.	description	suitable for	equiv. no.
1	700029	hinge right	Juno series 74/75/85/90	820596
2	700094	hinge left	Juno series 74/75/85/90	821830
3	700028	hinge rod	Juno series 74/75/85/90	234607

fig.	part no.	description	suitable for	equiv. no.
4	700026	spring right	Juno series 74/75/85/90	279449
5	700027	spring left	Juno series 74/75/85/90	279450



fig.	Bestell.no.	description	suitable for	equiv. no.
1	700514	spring	MKN	216079
2	700040	spring	Blumauer	-

fig.	part no.	description	suitable for	equiv. no.
3	700096	spring	Tornatti	TO515002
4	700499	spring	Tornatti	-



fig.	Bestell.no.	description	suitable for	equiv. no.
1	693384	hinge right	Zanolli	SUPP0207
2	693385	hinge left	Zanolli	SUPP0139

fig.	part no.	description	suitable for	equiv. no.
3	693386	spring right	Zanolli	SPR10010
4	693387	spring left	Zanolli	SPR10009



fig.	Bestell.no.	description	suitable for	equiv. no.
1	514073	spring	Cuppone	ADME01203
2	700492	spring 127mm	Moretti	72500670
3	700493	spring 155mm	Moretti	72500660

fig.	part no.	description	suitable for	equiv. no.
4	700159	spring	Pizza Group	4000530
5	697349	spring	Pizza Group	PF08650

springs

tension springs

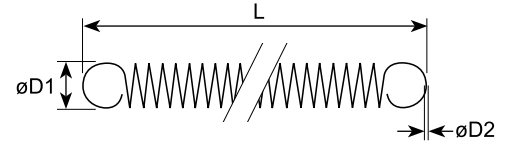
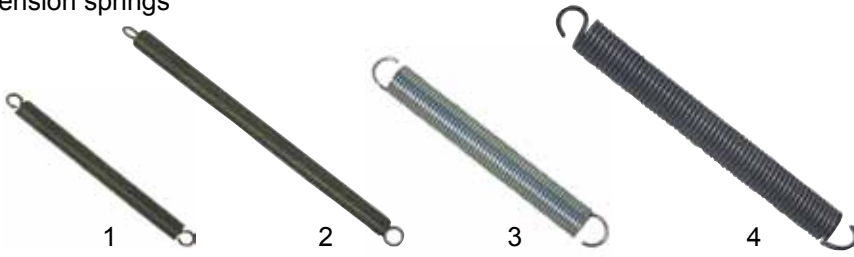


fig.	part no.	L (mm)	D1(mm)	D2(mm)	suitable for	equiv. no.
1	700030	187	12.9	2.1	Eloma	G0195
2	700031	260	15	2.3	Eloma	G0197

fig.	part no.	L (mm)	D1(mm)	D2(mm)	suitable for	equiv. no.
3	700032	220	24.8	3.2	Eloma	G0199
4	700033	300	30	4.1	Eloma	G0201

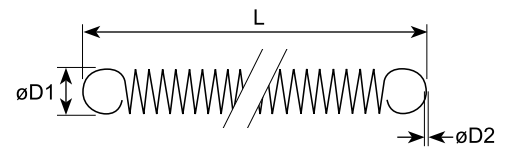
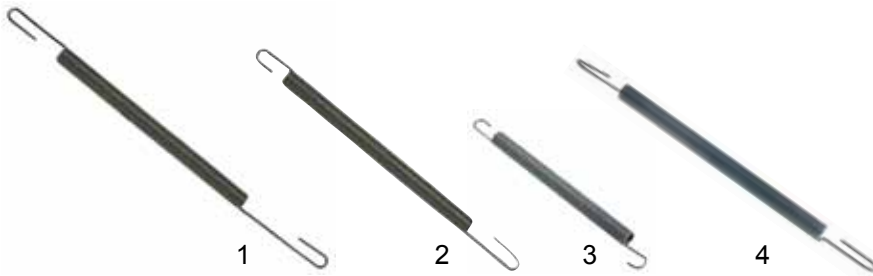


fig.	part no.	L (mm)	D1(mm)	D2(mm)	suitable for	equiv. no.
1	690180	315	12.2	2	Mercury	03.3.3453.0
2	690181	260	12.3	1.9	Mercury	03.3.3454.0

fig.	part no.	L (mm)	D1(mm)	D2(mm)	suitable for	equiv. no.
3	693024	130	8	1	Roller Grill	B07002
4	700425	244	12	1.9	Coldmaster	A2502

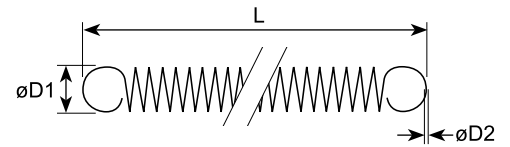
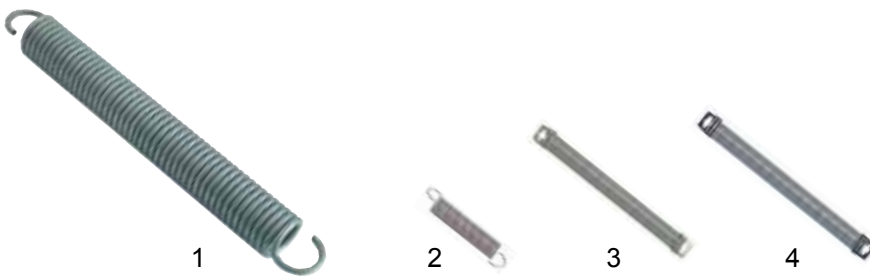


fig.	part no.	L (mm)	D1(mm)	D2(mm)	suitable for	equiv. no.
1	501057	385	45	6.5	Meiko Meiko	8001613 0430006
2	501326	80	10	1	Meiko	430025

fig.	part no.	L (mm)	D1(mm)	D2(mm)	suitable for	equiv. no.
3	503503	145	15	2	Hobart	227855
4	503504	155	15	1.5	Hobart	378622-1

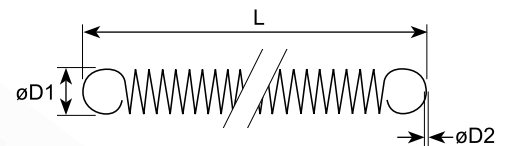


fig.	part no.	L (mm)	D1(mm)	D2(mm)	suitable for	equiv. no.
1	501296	275	12	1.5	Dühr	560003
2	504030	355	35	5	Mach Mach	512006300 80001359
3	506199	355	30	5	Lamber	0800711

fig.	part no.	L (mm)	D1(mm)	D2(mm)	suitable for	equiv. no.
4	506424	320	30	5	Lamber	0800033
5	505009	420	35	5	Fagor	Z710528000

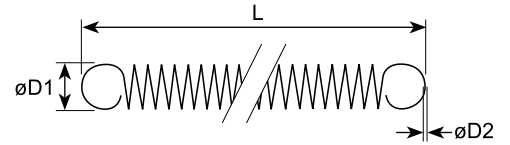
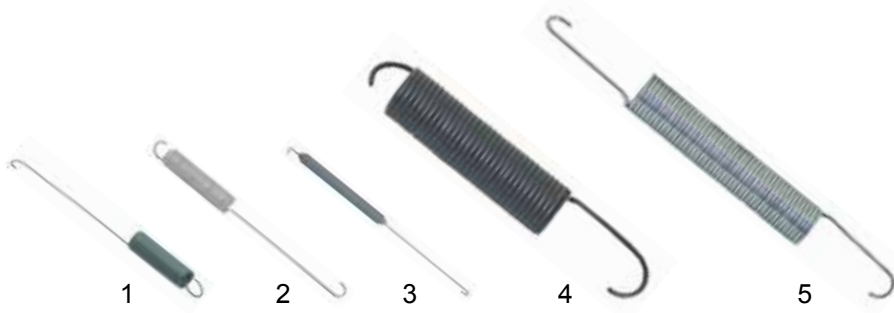


fig.	part no.	L (mm)	D1(mm)	D2(mm)	suitable for	equiv. no.
1	504638	185	15	1.5	Zanussi	049200
2	504639	195	15	2	Zanussi	049086
3	504649	160	10	2	Zanussi	048815

fig.	part no.	L (mm)	D1(mm)	D2(mm)	suitable for	equiv. no.
4	504682	295	50	5	Zanussi	046615
5	504684	365	40	4	Zanussi	048655

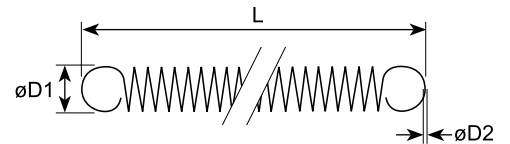


fig.	part no.	L (mm)	D1(mm)	D2(mm)	suitable for	equiv. no.
1	513206	510	25	5	Elettrobar	926007
2	504686	495	25	4	Zanussi	048258

fig.	part no.	L (mm)	D1(mm)	D2(mm)	suitable for	equiv. no.
3	504685	750	40	5.5	Zanussi	049582
4	504687	750	35	5.5	Zanussi	049947

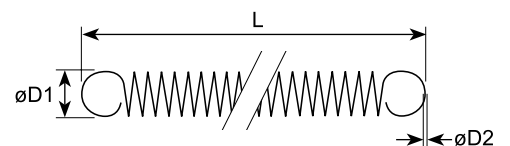
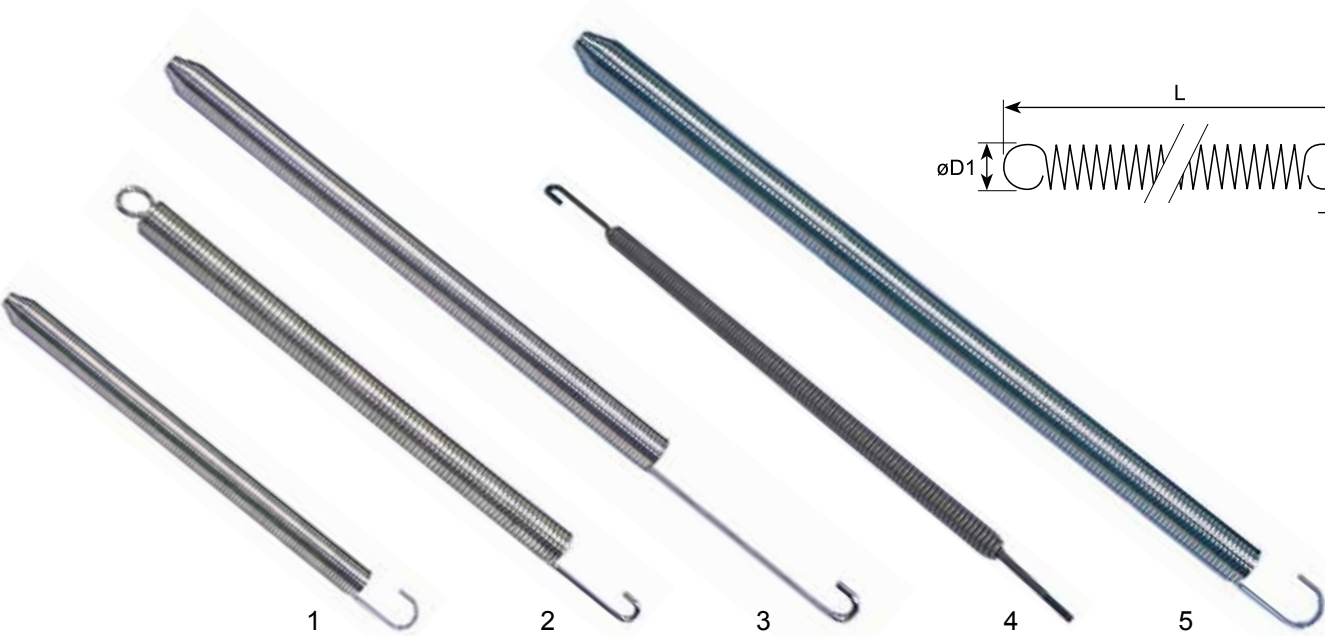


fig.	part no.	L (mm)	D1(mm)	D2(mm)	suitable for	equiv. no.
1	510926	540	35	4	Comenda	391312
2	510927	820	35	6.5	Comenda	391313
3	510928	905	40	5	Comenda Hoonved	391316 33522

fig.	part no.	L (mm)	D1(mm)	D2(mm)	suitable for	equiv. no.
4	511216	790	20	6	Elframo	00018056
5	507157	920	40	5	IME Omniwash	GMML6261

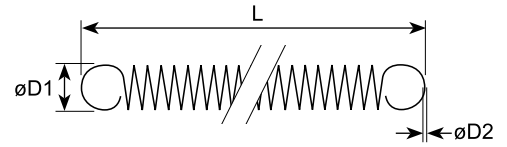


fig.	part no.	L (mm)	D1(mm)	D2(mm)	suitable for	equiv. no.
1	511904	150	15	2	Elframo	00013717
2	516175	290	40	5	ATA	6083
3	508071	110	20	2	Aristarco	1722

fig.	part no.	L (mm)	D1(mm)	D2(mm)	suitable for	equiv. no.
4	508315	250	13	2	Aristarco	6377
5	508127	400	30	5	Aristarco	2543

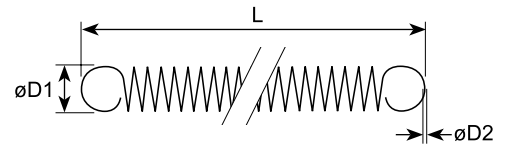


fig.	part no.	L (mm)	D1(mm)	D2(mm)	suitable for	equiv. no.
1	517261	135	20	2.5	Dihhr	10700/A
2	517260	140	15	2	Dihhr	10700/B

fig.	part no.	L (mm)	D1(mm)	D2(mm)	suitable for	equiv. no.
3	517273	225	10	1.5	Dihhr	550206/A
4	517048	310	30	5	Dihhr Dihhr	10800033 10800034

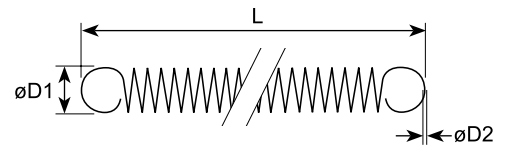
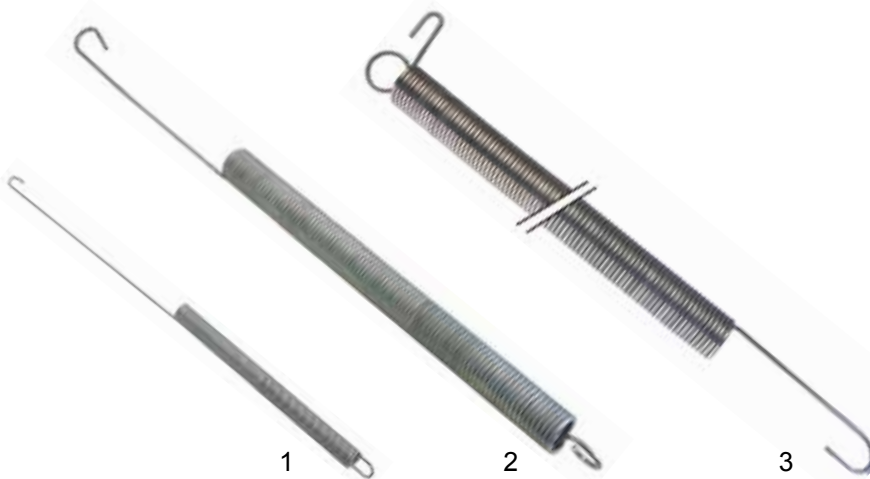


fig.	part no.	L (mm)	D1(mm)	D2(mm)	suitable for	equiv. no.
1	517272	540	15	2	Dihhr	550212
2	517286	865	35	5	Dihhr	75303

fig.	part no.	L (mm)	D1(mm)	D2(mm)	suitable for	equiv. no.
3	517287	670	40	4	Dihhr	70302

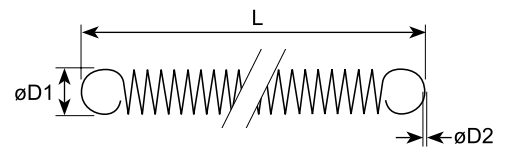


fig.	part no.	L (mm)	D1(mm)	D2(mm)	suitable for	equiv. no.
1	512373	330	40	6	Hoonved	25826
2	519163	385	40	6.5	Silanos Silanos	904133 904137

fig.	part no.	L (mm)	D1(mm)	D2(mm)	suitable for	equiv. no.
3	519443	220	10	2	Silanos Silanos	904051 908041
4	524355	340	43	5.3	Adler	10563

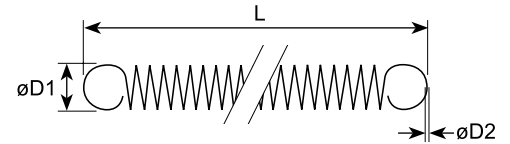


fig.	part no.	L (mm)	D1(mm)	D2(mm)	suitable for	equiv. no.
1	510064	68	13	1.5	Comenda	450288
2	510225	185	12	1.5	Comenda	391336
3	510228	165	12	1	Comenda	450217

fig.	part no.	L (mm)	D1(mm)	D2(mm)	suitable for	equiv. no.
4	528718	46	10	1	Rancilio	39220010
5	528719	85	13.2	2.1	Rancilio	39220025

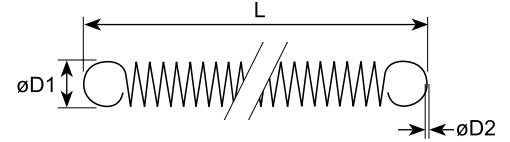
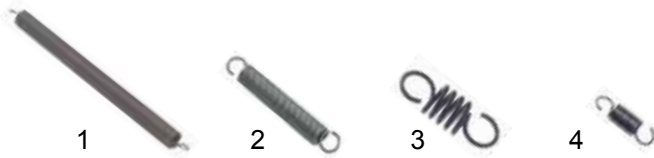


fig.	part no.	L (mm)	D1(mm)	D2(mm)	suitable for	equiv. no.
1	518260	145	10	1	Elettrobar	449049
2	518523	95	10	1	Elettrobar	449048

fig.	part no.	L (mm)	D1(mm)	D2(mm)	suitable for	equiv. no.
3	700420	60	20	2.6	Zanussi	056975
4	700421	39	10.3	1.3	Zanussi	056977

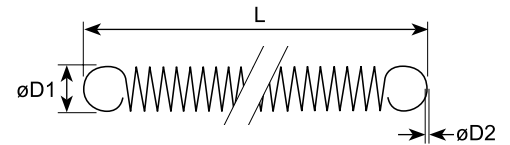


fig.	part no.	L (mm)	D1(mm)	D2(mm)	suitable for	equiv. no.
1	695108	21	6.3	0.5	Brema	20228
2	695435	24	9.2	1.6	Brema	20232
3	695544	42	10.5	1.5	Brema	20282

fig.	part no.	L (mm)	D1(mm)	D2(mm)	suitable for	equiv. no.
4	695674	80	13	1.7	Icematic	25475400/0
5	700730	100	12	1	Lamber	0800161

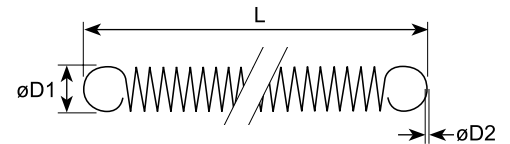


fig.	part no.	L (mm)	D1(mm)	D2(mm)	suitable for	equiv. no.
1	691455	270	24.8	3	Olis	2510545
2	693289	240	36.5	6.9	Zanussi	0A5150
3	693294	322	29.3	4.6	Zanussi	0C0671

fig.	part no.	L (mm)	D1(mm)	D2(mm)	suitable for	equiv. no.
4	693295	310	29.5	4.6	Zanussi	0C0666
5	700191	275	30.3	4.1	Küppersbusch	131072

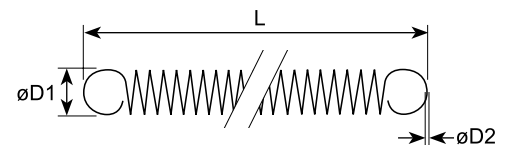


fig.	part no.	L (mm)	D1(mm)	D2(mm)	suitable for	equiv. no.
1	700429	260	50	6.3	Baron	41823210020
2	700430	200	33.9	4.2	Baron	41823210031

fig.	part no.	L (mm)	D1(mm)	D2(mm)	suitable for	equiv. no.
3	700169	360	35	5.3	Gico	290203700
4	700168	555	35	5.1	Gico	290202420

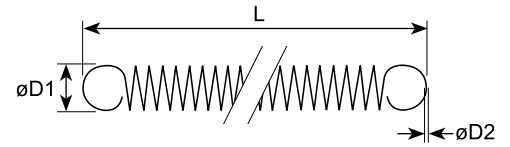


fig.	part no.	L (mm)	D1(mm)	D2(mm)	suitable for	equiv. no.
1	700413	210	29	4.1	Electrolux Juno	0K2039 245668
2	700414	285	25	4	Electrolux Juno	0K2703 279902

fig.	part no.	L (mm)	D1(mm)	D2(mm)	suitable for	equiv. no.
3	540858	285	34.4	5.3	Electrolux Juno	0K2683 279457
4	540859	274	25	4.1	Electrolux Juno	0K2682 279455

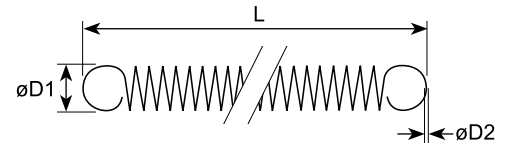
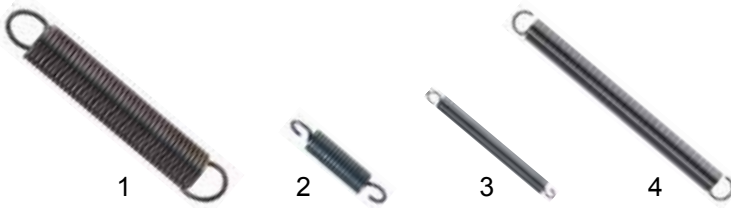


fig.	part no.	L (mm)	D1(mm)	D2(mm)	suitable for	equiv. no.
1	700552	220	35	4	MKN	216084
2	700718	79	16.4	2.9	Angelo Po	36G5240

fig.	part no.	L (mm)	D1(mm)	D2(mm)	suitable for	equiv. no.
3	700748	95	8.5	1	TurboChef	T0708
4	700749	220	19	2	TurboChef	T0542

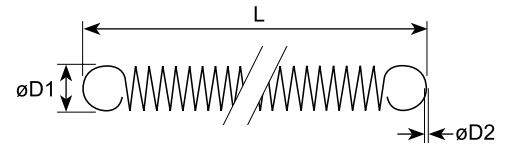


fig.	part no.	L (mm)	D1(mm)	D2(mm)	suitable for	equiv. no.
1	690150	148	19.4	1.6	Blanco	146305
2	690151	147	12.9	1.1	Blanco	146304

fig.	part no.	L (mm)	D1(mm)	D2(mm)	suitable for	equiv. no.
3	690152	150	26.1	2.1	Blanco	146302
4	690914	156	17	1.3	Rieber	32681801

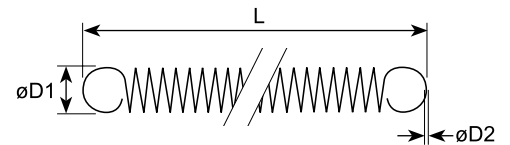
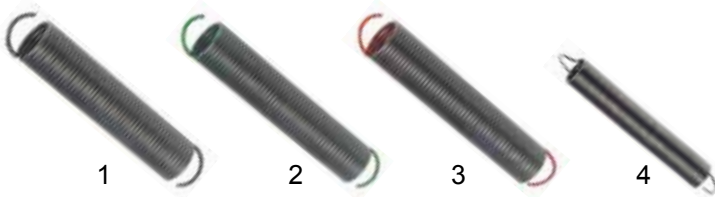


fig.	part no.	L (mm)	D1(mm)	D2(mm)	suitable for	equiv. no.
1	700519	210	38.6	3.8	Rieber	32680101
2	700520	205	34.9	3.3	Rieber	32680201

fig.	part no.	L (mm)	D1(mm)	D2(mm)	suitable for	equiv. no.
3	700521	210	35	3.1	Rieber	32680301
4	700522	145	19.6	1.6	Rieber	32681501

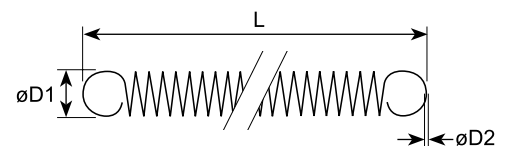
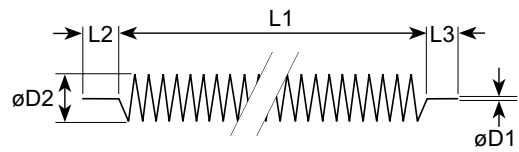


fig.	part no.	L (mm)	D1(mm)	D2(mm)	suitable for	equiv. no.
	700516	145	19.4	1.6	Hupfer	014040101
	700517	145	11.8	1.1	Hupfer	014040164

fig.	part no.	L (mm)	D1(mm)	D2(mm)	suitable for	equiv. no.
	700518	150	25.5	2	Hupfer	014004104
	700523	116	18.3	1.3	Mobile containing	957610

torsion springs



no.	part no.	mounting position	L1(mm)	L2(mm)	L3(mm)	D1(mm)	D2(mm)	suitable for	equiv. no.
1	514339	right	110	20	20	4.1	52	Icos	I08007
2	514346	left	110	20	20	4.1	52	Icos	I08008
3	514349	right	95	28	28	6	51	Icos	I08054
4	514350	left	95	28	28	6	51	Icos	I08055
5	514351	right	101	28	28	6.5	51	Icos	I08083
6	514352	left	101	28	29	6.5	51	Icos	I08093
7	540846	left	93	26	26	4.1	42.5	Rubinetterie del Friuli	30003866
8	540847	right	93	26	26	4.1	42.5	Rubinetterie del Friuli	30003864
9	540848	left	90	25	25	5	43	Rubinetterie del Friuli	30003870
10	540849	right	90	25	25	5	43	Rubinetterie del Friuli	30003868
11	540852	left	108	19	35	4.3	52	Rubinetterie del Friuli	30003872
12	540853	right	108	19	35	4.3	52	Rubinetterie del Friuli	30003874
13	540854	right	104	29	34	5.1	51	Rubinetterie del Friuli Icos	30003876 I08051
14	540855	left	104	29	34	5.1	51	Rubinetterie del Friuli Icos	30003878 I08052
15	540856	right	95	30	30	6.2	52	Rubinetterie del Friuli	30003880
16	540857	left	95	30	30	6.2	52	Rubinetterie del Friuli	30003882
17	700178	right	97	25	25	4.2	52.5	Modular	26001500
18	700179	left	97	25	25	4.2	52.5	Modular	26001600
19	691182	right/left	110	20	20	6	52	Angelo Po	36G9970
20	700432	right/left	116	19	19	4.1	52	Baron	41853310009

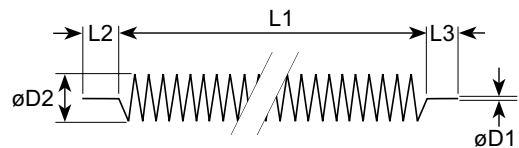
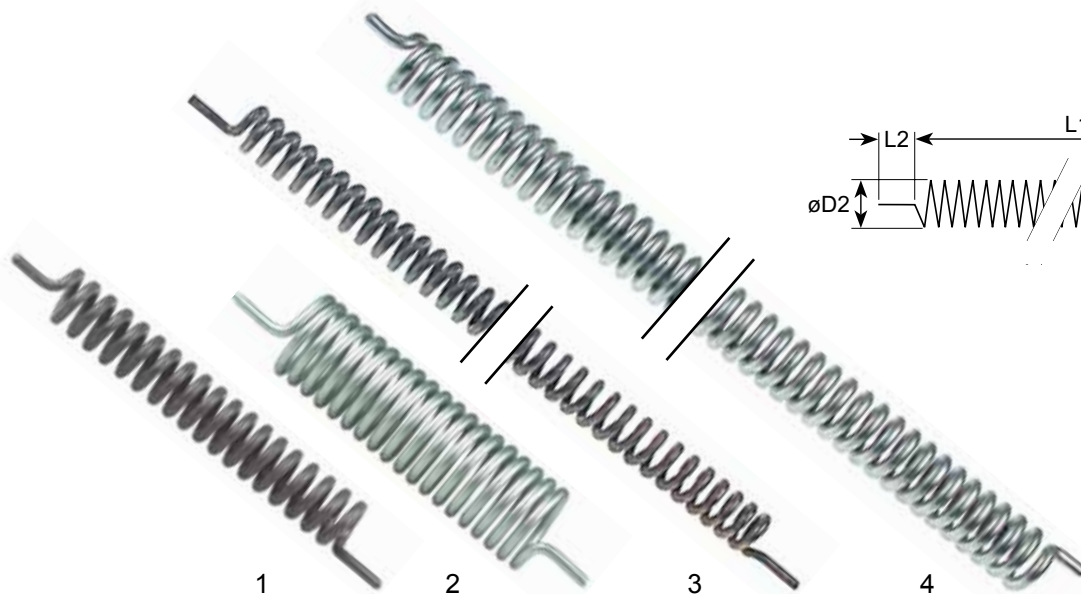


fig.	part no.	mounting position	L1(mm)	L2(mm)	L3(mm)	D1(mm)	D2(mm)	suitable for	equiv. no.
1	690512	---	152	20	20	4.5	24.4	Ambach	5004705253
1	700405	---	153	20	20	5.2	24	Ambach	5004705386
2	690513	---	145	27	27	5.2	42.4	Ambach	5004714718
2	690514	---	170	27	27	7.2	44.6	Ambach	5004709717
2	690515	---	138	26	26	6.7	44.4	Ambach	5004714695
3	700404	---	405	21	21	4.1	20	Ambach	5004705557
4	700406	---	510	16	16	6.1	30	Ambach	5004707073

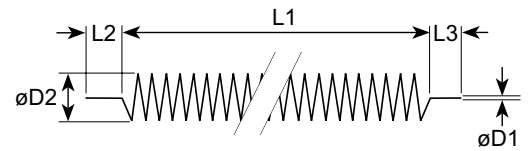
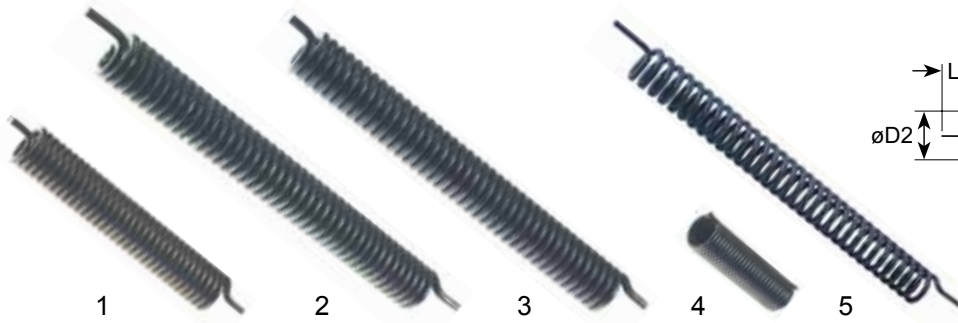


fig.	part no.	mounting position	L1(mm)	L2(mm)	L3(mm)	D1(mm)	D2(mm)	suitable for	equiv. no.
1	693313	---	212	19	19	6.2	38	Zanussi	051527
2	693315	---	322	31	23	7.1	39	Zanussi	002981
2	693316	---	320	31	24	6.2	38	Zanussi	059518
3	693286	---	308	19	19	7.2	39.2	Zanussi	051268
4	693304	---	101	7	7	4	28.6	Zanussi	004850
5	700185	---	295	30	30	4.7	30.5	Angelo Po	36G1300
5	700186	---	300	30	30	5.5	31.7	Angelo Po	36G2640

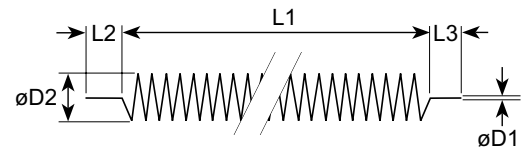


fig.	part no.	mounting position	L1(mm)	L2(mm)	L3(mm)	D1(mm)	D2(mm)	suitable for	equiv. no.
1	700192	---	160	23	17	5.1	27	Küppersbusch	131070
1	700193	---	160	21	17	5.7	27	Küppersbusch	131075
1	700194	---	165	29	15	6.3	29	Küppersbusch	131080
2	690549	right	281	31	24	7	39	Giga	Y71800
2	690548	left	281	31	24	7	39	Giga	Y71500
3	693626	---	282	35	21	6.1	38	MBM	RTCP800026
3	693627	---	280	33	20	7.2	39	MBM	RTBF800103
4	693328	---	196	30	14	4.8	30.5	MBM	RTCU700476
	700177	---	250	26	26	4	31	Modular	26001000

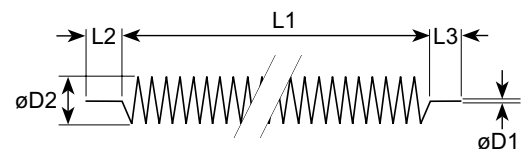


fig.	part no.	mounting position	L1(mm)	L2(mm)	L3(mm)	D1(mm)	D2(mm)	suitable for	equiv. no.
1	700087	right	86	30	16	2.7	14.5	Zanussi	082179
1	690683	left	86	30	16	2.7	14.5	Zanussi	082178
2	690578	right	82	25	15	2.7	14.9	Friulinox	935057
2	690579	left	82	25	15	2.7	14.9	Friulinox	935058
3	690370	right	101	32	13	2.8	16.5	Dexion	01157300R
3	690371	left	101	32	13	2.8	16.5	Dexion	01157200R
4	690271	right	80	27	16	2.5	15	Polaris	1412083
4	690272	left	80	27	16	2.5	15	Polaris	1412084

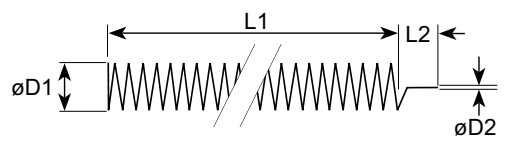
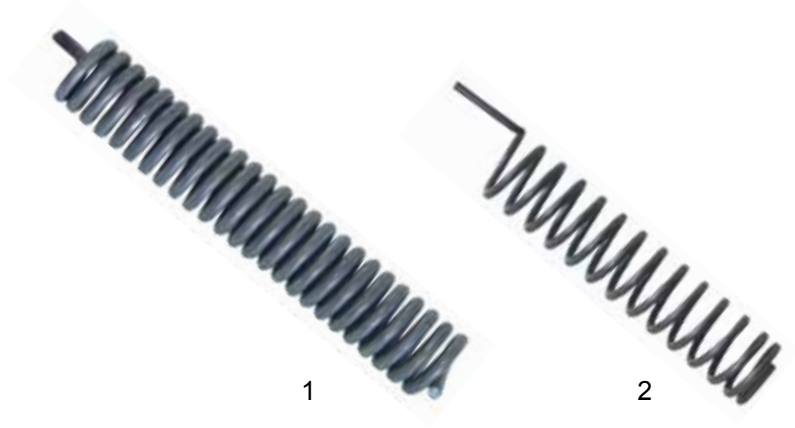


fig.	part no.	L1(mm)	L2(mm)	D1(mm)	D2(mm)	suitable for	equiv. no.
1	514226	192	14	32.2	5.9	Mareno	139732
1	514234	188	15	32.2	5.7	Mareno	810210
2	700066	140	27	31.1	3.6	Gico	270203340
2	700068	135	31	33.2	5.2	Gico	241200840

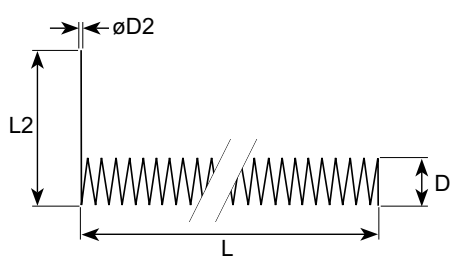


fig.	part no.	mounting position	L1(mm)	L2(mm)	D1(mm)	D2(mm)	suitable for	equiv. no.
1	691067	---	107	42	4	28.2	Fagor	S316110
1	693299	---	103	45	3.6	28.6	Zanussi Berto's	052894
2	693386	right	150	9	3.4	27.4	Zanoli	SPRI0010
2	393387	left	150	10	3.6	27.4	Zanoli	SPRI0009
3	700159	---	150	62	4.5	20	Pizza Group	4000530

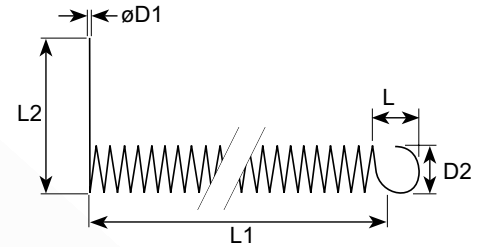
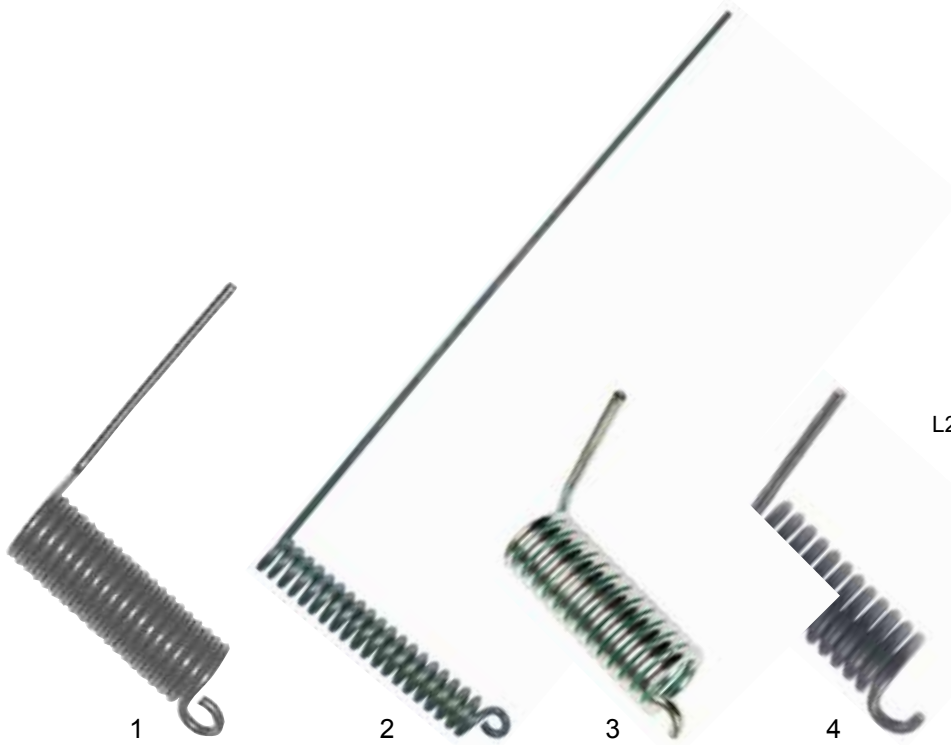


fig.	part no.	L1(mm)	L2(mm)	L3(mm)	D1(mm)	D2(mm)	suitable for	equiv. no.
1	690029	71	79	13	3.7	25.8	Baumeister	
2	690503	97	265	11	3.3	16.7	IME	TUR00005023
3	690879	117	80	18	7.2	43	Juno	279411
4	693369	51	38	15	3.7	22	Fornitalia	65/65Z1

23

Locks and fittings

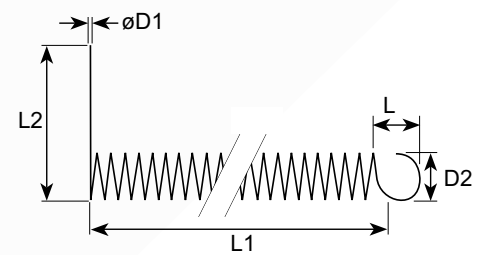
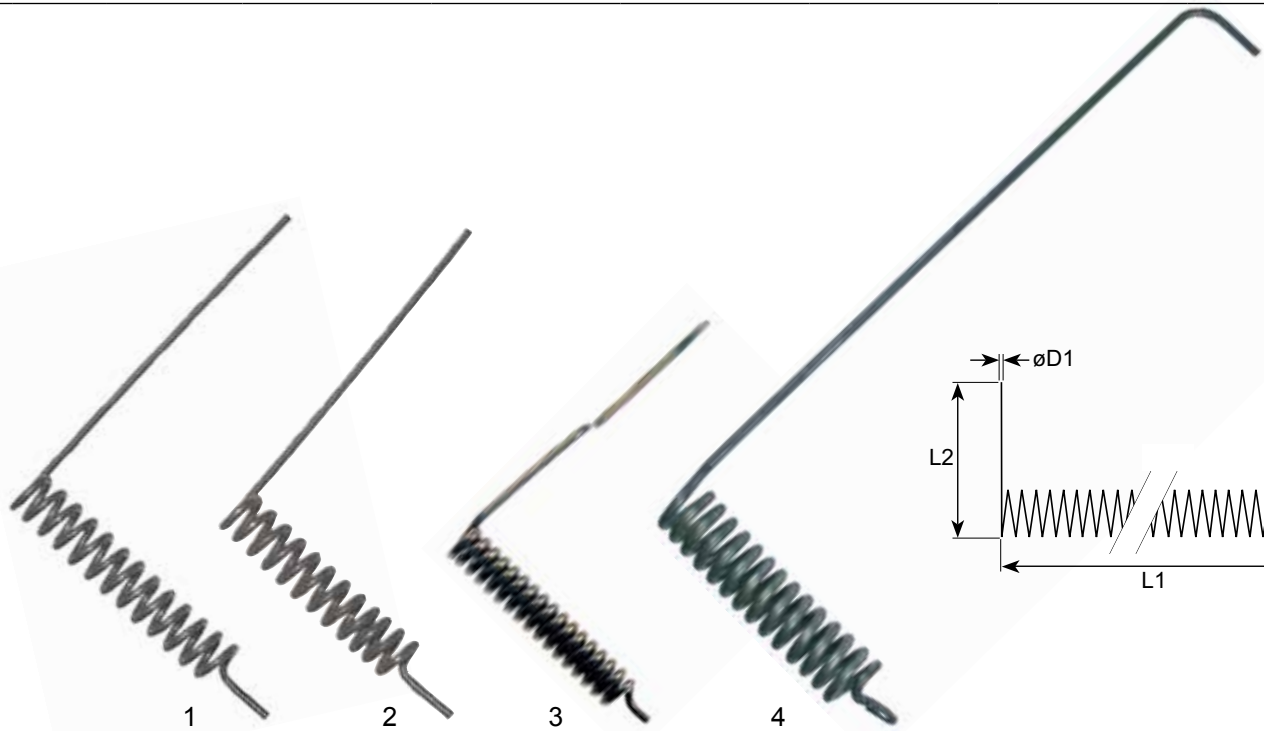


fig.	part no.	mounting position	L1(mm)	L2(mm)	L3(mm)	D1(mm)	D2(mm)	suitable for	equiv. no.
1	700022	right	93	133	24	3.4	18.6	Juno	245663
1	700023	left	93	133	24	3.4	18.6	Juno	245664
2	700026	right	88	132	26	3.4	19	Juno	279449
2	700027	left	88	132	26	3.4	19	Juno	279450
3	700426	right	64	100	11	2.6	12.9	Juno	279830
3	700427	left	64	100	11	2.6	12.9	Juno	279829
4	700601	right	94	268	14	4.1	23	Küppersbusch Thielmann	540454 141039
4	700600	left	94	268	14	4.1	23	Küppersbusch Thielmann	540453 150095

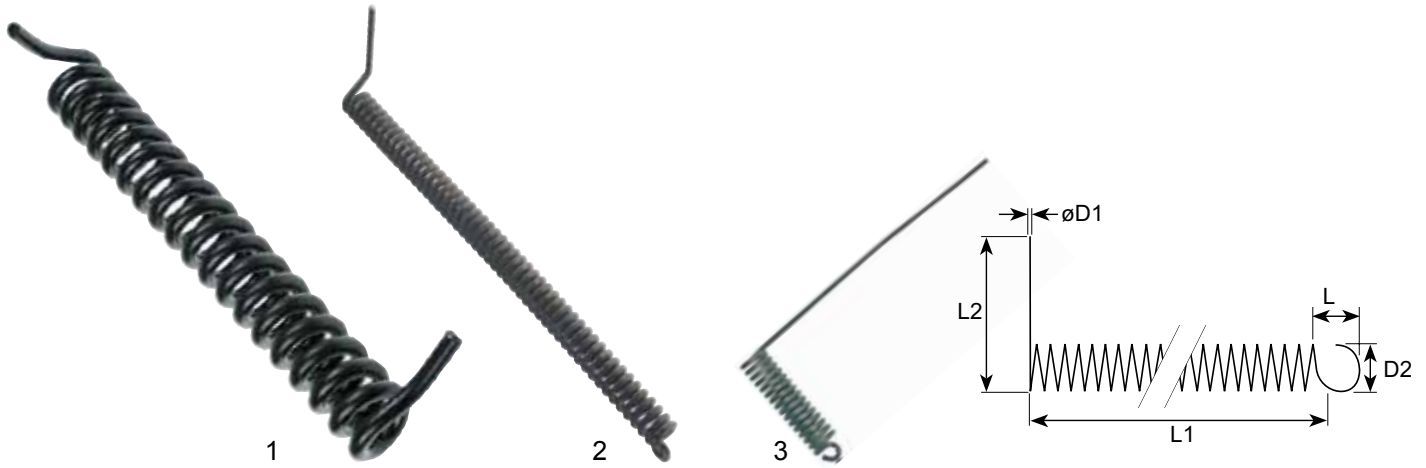


fig.	part no.	mounting position	L1(mm)	L2(mm)	L3(mm)	D1(mm)	D2(mm)	suitable for	equiv. no.
1	691532	right	340	87	87	10	46	Henkelman	0080035
1	691533	left	340	87	87	10	46	Henkelman	0080036
2	700514	--	240	90	26.	6.1	26.6	MKN	216079
3	690880	--	75	200	20	3.7	20.9	Juno	292805

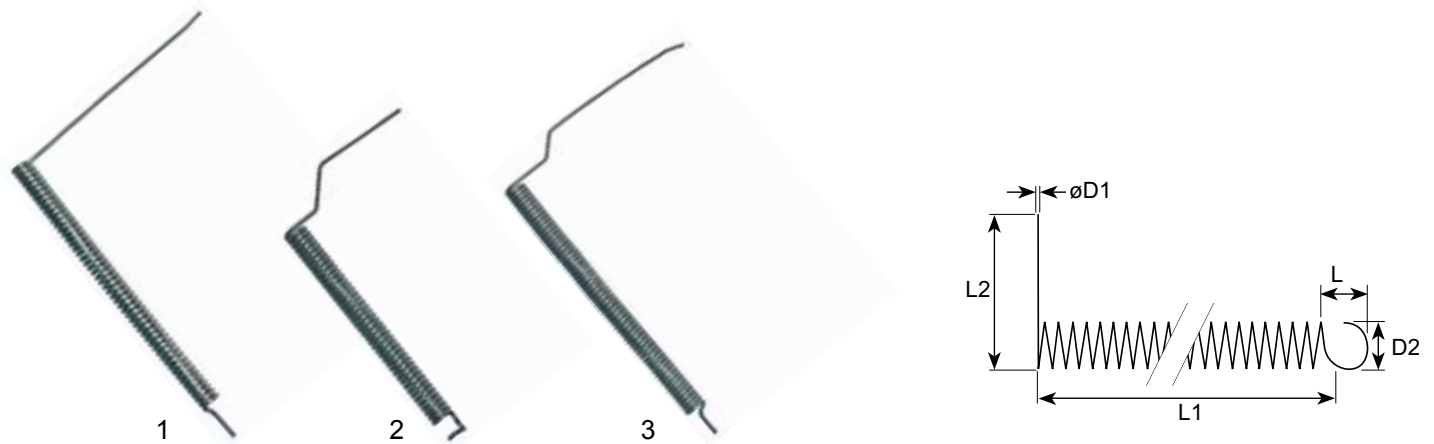


fig.	part no.	mounting position	L1(mm)	L2(mm)	L3(mm)	D1(mm)	D2(mm)	suitable for	equiv. no.
1	504002	--	240	210	30	4	19	Mach	512006200
2	504652	right	185	145	20	3.7	20	Zanussi	046269
2	504653	left	185	145	20	3.7	20	Zanussi	046268
3	518359	right	235	205	22	3.5	19	Colged	449051
3	518255	left	235	205	22	3.5	19	Colged	449052

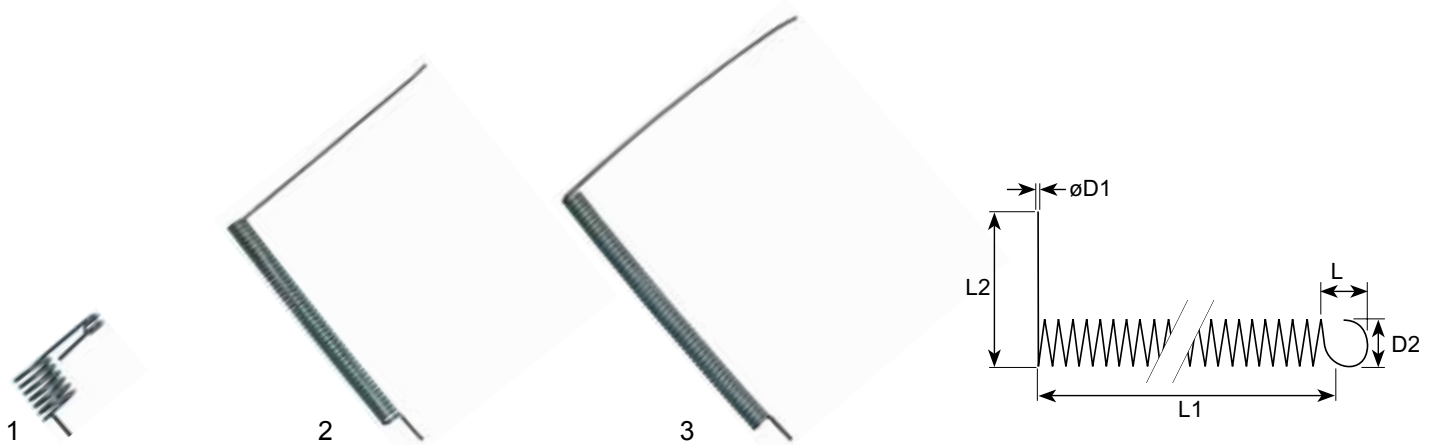


fig.	part no.	mounting position	L1(mm)	L2(mm)	L3(mm)	D1(mm)	D2(mm)	suitable for	equiv. no.
1	700871	right	39	70	14	3	31	OEM	KD018
1	700872	left	39	70	14	3	31	OEM	KD019
2	516090	right	180	200	25	3	16.2	ATA	7162
2	516088	left	180	200	25	3	16.2	ATA	7160
3	516114	right	250	270	27	4.3	19	ATA	4082

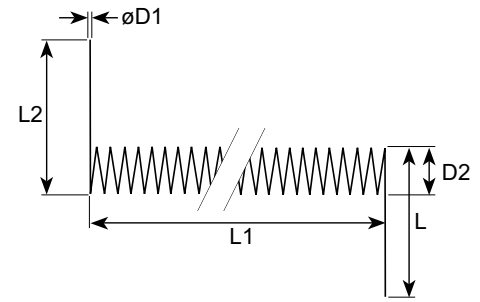
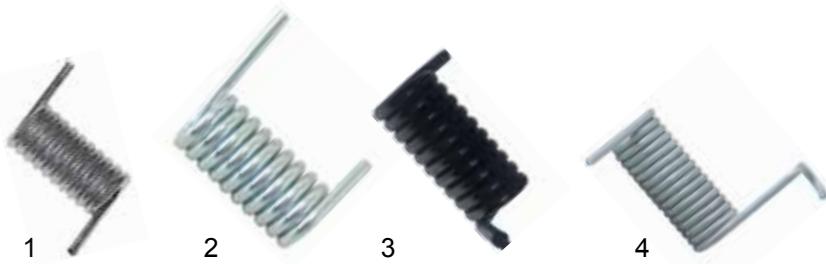


fig.	part no.	mounting position	L1(mm)	L2(mm)	L3(mm)	D1(mm)	D2(mm)	suitable for	equiv. no.
1	690080	right	42	34.4	34.4	3.4	19.4	CF	63.3.0852
1	690081	left	42	34.4	34.4	3.4	19.4	CF	63.3.0853
1	690159	right	40	36.2	36.2	3.7	20.2	Sirman	IGS540C
1	690169	left	40	36.2	36.2	3.7	20.2	Sirman	IGS543C
1	690193	right	40	36.2	36.2	3.8	20.2	Sirman	IGS540
1	690194	left	40	36.2	36.2	3.8	20.2	Sirman	IGS543
2	690185	right	40	45.2	29.2	3.8	20.2	Sirman	IGS540C/99
2	690192	left	40	45.2	29.2	3.8	20.2	Sirman	IGS543C/99
2	690198	right	40	45	29	3.5	20	Sirman	IGS540/99
2	690199	left	40	45	29	3.5	20	Sirman	IGS543/99
3	691217	right	41	36	36	3.5	19	Vema	XRPV13
3	690218	left	41	36	36	3.5	19	Vema	XRPV28
4	700172	right	48	47.2	36.2	3	19.2	Silanos	904080
4	700173	left	48	47.2	36.2	3	19.2	Silanos	904081
4	700174	right	57	42	38	3.6	20	Silanos	904100
4	700175	left	57	42	38	3.6	20	Silanos	904101

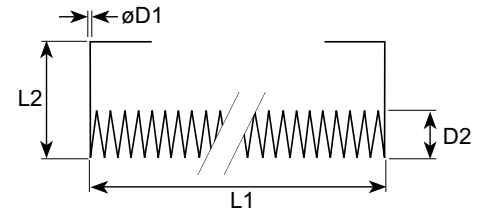

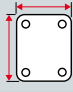
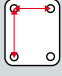
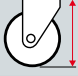



fig.	part no.	L1(mm)	L2(mm)	D1(mm)	D2(mm)	suitable for	equiv. no.
1	690511	118	62.7	3.7	21.7	Elettrobar	921005
1	693019	124	68.8	3.7	20.8	Roller Grill	B07015
1	693199	118	59	3.8	21	Forved	GRILLMOLLA
1	700084	119	86	3	22	CF RM Gastro	63.3.0861 408702500
1	700723	120	60.5	3.6	20.5	RM Gastro	408702505
1	700731	120	60.4	3	20.4	CF	63.3.0862
1	700822	119	89	3.6	20	Roller Grill	B07019
2	695021	23.2	57.8	2.3	20.8	Icematic	25474600/0
2	695022	23.2	58.2	2.6	21.2	Icematic	25474602/0
2	695676	29	51	3	23	Icematic	25474601/0
3	700170	131	62	4.1	22	Faba	PR10012
3	700171	100	61.4	3.3	21.4	Faba	PR13032
3	700569	100	61.5	3.3	21.5	Star 10	2001

wheels DERBY


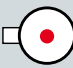


swivel castors with plate (steel chrome-plated/stainless steel)



fig.	part no.	description	material					
1	700202	swivel castor	chrome-plated	100	90x70	70x50	134	80
1	700209	swivel castor	chrome-plated	125	90x70	70x50	159	100
1	700217	swivel castor	SS	100	90x70	70x50	134	80
1	700224	swivel castor	SS	125	90x70	70x50	159	100
2	700203	swivel castor with brake	chrome-plated	100	90x70	70x50	134	80
2	700210	swivel castor with brake	chrome-plated	125	90x70	70x50	159	100
2	700218	swivel castor with brake	SS	100	90x70	70x50	134	80
2	700225	swivel castor with brake	SS	125	90x70	70x50	159	100
3	700204	fixed castor for heavy load	chrome-plated	100	90x70	70x50	134	80
3	700211	fixed castor for heavy load	chrome-plated	125	90x70	70x50	159	100
3	700219	fixed castor for heavy load	SS	100	90x70	70x50	134	80
3	700226	fixed castor for heavy load	SS	125	90x70	70x50	159	100


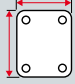
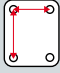

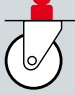
swivel castors with bolt hole (steel chrome-plated/stainless steel)



fig.	part no.	description	material				
1	700200	swivel castor	chrome-plated	100	12	131	80
1	700207	swivel castor	chrome-plated	125	13	159	100
1	700215	swivel castor	SS	100	12	131	80
1	700222	swivel castor	SS	125	13	159	100
2	700201	swivel castor with brake	chrome-plated	100	12	131	80
2	700208	swivel castor with brake	chrome-plated	125	13	159	100
2	700216	swivel castor with brake	SS	100	12	131	80
2	700223	swivel castor with brake	SS	125	13	159	100


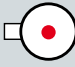


swivel castors with plate (plastic)



fig.	part no.	description	material					
1	700362	swivel castor	plastic	100	90x70	70x50	138	80
1	700363	swivel castor	plastic	125	90x70	70x50	164	100
2	700364	swivel castor with caging device	plastic	100	90x70	70x50	138	80
2	700365	swivel castor with caging device	plastic	125	90x70	70x50	164	100

swivel castors with bolt hole (plastic)



fig.	part no.	description	material				
1	700366	swivel castor	plastic	100	13	135	80
1	700367	swivel castor	plastic	125	13	161	100
2	700368	swivel castor with caging device	plastic	100	13	135	80
2	700369	swivel castor with caging device	plastic	125	13	161	100

spare parts and accessories

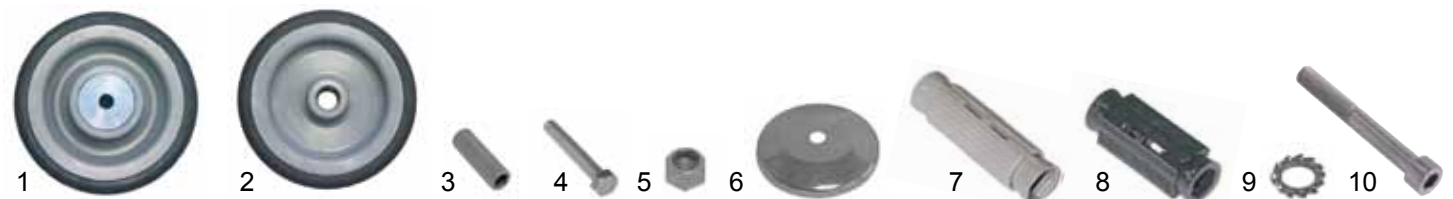


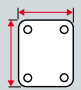
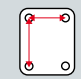

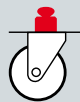


fig.	part no.	description		fig.	part no.	description
1	700142	wheel ball bearing	100	7	700145	expanding sleeve for round pipe \varnothing inner 19.8-21.7mm
1	700140	wheel ball bearing	125	7	700146	expanding sleeve for round \varnothing inner 21.7-24.5mm
2	700143	wheel slide bearing	100	7	700147	expanding sleeve for round \varnothing inner 24.5-27mm
2	700141	wheel slide bearing	125	7	700148	expanding sleeve for round \varnothing inner 27-29.5mm
3	700131	slide bearing steel zinc-plated		8	700149	expanding sleeve for square pipe inner 22x22-24x24mm
3	700130	slide bearing SS		8	700150	expanding sleeve for square pipe inner 25x25-28x28mm
4	700133	screw steel zinc-plated		8	700152	expanding sleeve for square pipe inner 29x29-32x32mm
4	700132	screw SS		8	700151	expanding sleeve for square pipe inner 36x36-38x38mm
5	700135	nut steel zinc-plated		9	560193	tooth lock washer steel zinc-plated
5	700134	nut SS		9	560192	tooth lock washer SS
6	700125	protective plate SS	100	10	560191	screw steel zinc-plated
6	700126	protective plate SS	125	10	560190	screw SS

wheels STEINCO




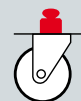
swivel castors with plate (SS)



fig.	part no.	description	material					
1	700294	swivel castor	SS	100	77x66	61.5x/56x51.5/46.5	158	100
1	700295	swivel castor	SS	125	77x66	61.5x/56x51.5/46.5	158	100
2	700296	swivel castor with brake	SS	100	77x66	61.5x/56x51.5/46.5	158	100
2	700297	swivel castor with brake	SS	125	77x66	61.5x/56x51.5/46.5	158	100
1	700298	swivel castor	SS	100	95x70	75x70	158	100
1	700292	swivel castor	SS	125	95x70	75x70	158	100
2	700319	swivel castor with brake	SS	100	95x70	75x70	158	100
2	700293	swivel castor with brake	SS	125	95x70	75x70	158	100
3	700320	fixed castor for heavy load	SS	100	95x70	75x70	158	100
3	700321	fixed castor for heavy load	SS	125	95x70	75x70	158	100

swivel castors with bolt hole (SS)



fig.	part no.	description	material				
1	700322	swivel castor	SS	100	10.5	158	100
1	700323	swivel castor	SS	125	10.5	158	100
2	700324	swivel castor with brake	SS	100	10.5	158	100
2	700325	swivel castor with brake	SS	125	10.5	158	100

swivel castors with round stem (steel zinc-plated/SS)

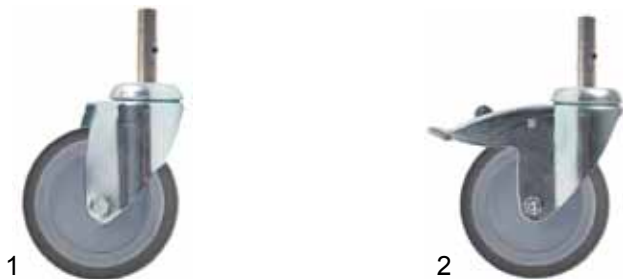

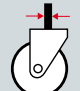
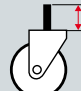
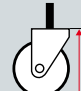



fig.	part no.	description	material					
1	700288	swivel castor	steel zinc-plated	125	18	62	161	100
1	700273	swivel castor	SS	125	18	62	161	100
2	700289	swivel castor with brake	steel zinc-plated	125	18	62	161	100
2	700274	swivel castor with brake	SS	125	18	62	161	100

swivel castors with square stem (steel zinc-plated/stainless steel)

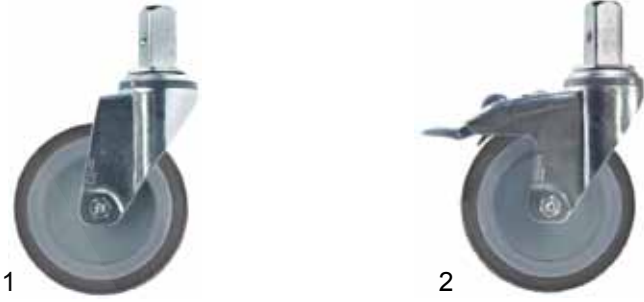




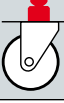







fig.	part no.	description	material					
1	700309	swivel castor	steel zinc-plated	125	22x22	45	161	100
2	700310	swivel castor with brake	steel zinc-plated	125	22x22	45	161	100


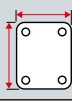
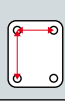


swivel castors with threaded bolt (steel zinc-plated)



fig.	part no.	description	material					
1	700251	swivel castor	steel zinc-plated	125	M10	15	161	100
2	700252	swivel castor with brake	steel zinc-plated	125	M10	15	161	100





swivel castors with plate (plastic)



fig.	part no.	description					
1	700228	swivel castor	125	95x70	75x50	161	100
2	700227	swivel castor with brake	125	95x70	75x50	161	100
3	700231	fixed castor for heavy load	125	95x70	75x50	161	100






swivel castors with bolt hole (plastic)



fig.	part no.	description				
1	700328	swivel castor	125	10.3	161	100
2	700329	swivel castor with brake	125	10.3	161	100


swivel castors with round stem (plastic)



fig.	part no.	description					
1	700229	swivel castor	125	18	62	161	100
2	700241	swivel castor with brake	125	18	62	161	100
3	700240	fixed castor for heavy load	125	18	62	161	100

spare parts and accessories



fig.	part no.	description		fig.	part no.	description
1	700330	wheel ball bearing	100	4	710067	sleeve for stem 37.6x37.6mm
1	700331	wheel ball bearing	125	5	700354	expansion sleeves for round pipe \varnothing inner 18-20mm
2	700332	wheel slide bearing	100	5	700355	expansion sleeves for round pipe \varnothing inner 21-23mm
2	700333	wheel slide bearing	125	5	700356	expansion sleeves for round pipe \varnothing inner 24-27mm
3	700334	sleeve for stem \varnothing 22.0mm		5	700357	expansion sleeves for round pipe \varnothing inner 28-31mm
3	700350	sleeve for stem \varnothing 22.6mm		6	700358	expansion sleeves for square pipe inner 18x18-20x20mm
4	700230	sleeve for stem 21.8x21.8mm		6	700359	expansion sleeves for square pipe inner 21x21-23x23mm
4	700351	sleeve for stem 22.5x22.5mm		6	700360	expansion sleeves for square pipe inner 24x24-27x27mm
4	700352	sleeve for stem 27.1x27.1mm		6	700361	expansion sleeves for square pipe inner 28x28-31x31mm
4	700353	sleeve for stem 32.5x32.5mm				

wheels *TENTE*

swivel castors with plate (steel zinc-plated SS)




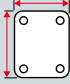
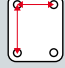



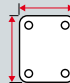
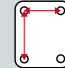

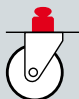

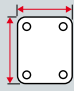
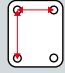
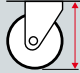

fig.	part no.	description	material					
1	710003	swivel castor	steel zinc-plated	125	77x66	61.5/56x51.5/46.5	160	100
1	700264	swivel castor	SS	125	77x66	61.5/56x51.5/46.5	160	100
1	700337	swivel castor	steel zinc-plated	150	77x66	61.5/56x51.5/46.5	185	100
2	710004	swivel castor with brake	steel zinc-plated	125	77x66	61.5/56x51.5/46.5	160	100
2	700265	swivel castor with brake	SS	125	77x66	61.5/56x51.5/46.5	160	100
2	700338	swivel castor with brake	steel zinc-plated	150	77x66	61.5/56x51.5/46.5	185	100
3	700311	fixed castor for heavy load	steel zinc-plated	125	77x66	61.5/56x51.5/46.5	160	100
3	700266	fixed castor for heavy load	SS	125	77x66	61.5/56x51.5/46.5	160	100
1	700255	swivel castor	steel zinc-plated	125	95x70	75x70	160	100
1	700270	swivel castor	SS	125	95x70	75x70	160	100
2	700256	swivel castor with brake	steel zinc-plated	125	95x70	75x70	160	100
2	700271	swivel castor with brake	SS	125	95x70	75x70	160	100
3	700257	fixed castor for heavy load	steel zinc-plated	125	95x70	75x70	160	100
3	700272	fixed castor for heavy load	SS	125	95x70	75x70	160	100



fig.	part no.	description	material					
1	700243	swivel castor	steel zinc-plated	160	137X115	105X80/75	200	300
1	700258	swivel castor	steel zinc-plated	200	137X115	105X80/75	240	400
1	700248	swivel castor	SS	160	137X115	105X80/75	200	300
1	700261	swivel castor	SS	200	137X115	105X80/75	240	400
2	700244	swivel castor with brake	steel zinc-plated	160	137X115	105X80/75	200	300
2	700259	swivel castor with brake	steel zinc-plated	200	137X115	105X80/75	240	400
2	700249	swivel castor with brake	SS	160	137X115	105X80/75	200	300
2	700262	swivel castor with brake	SS	200	137X115	105X80/75	240	400
3	700242	fixed castor for heavy load	steel zinc-plated	160	137X115	105X80/75	200	300
3	700260	fixed castor for heavy load	steel zinc-plated	200	137X115	105X80/75	240	400
3	700247	fixed castor for heavy load	SS	160	137X115	105X80/75	200	300
3	700263	fixed castor for heavy load	SS	200	137X115	105X80/75	240	400

swivel castors with plate/pneumatic tyres (steel zinc-plated/SS)



fig.	part no.	description	material					
1	700267	swivel castor	steel zinc-plated	200	137x115	105x80/75	240	75
1	700283	swivel castor	SS	200	137x115	105x80/75	240	75
2	700268	swivel castor with brake	steel zinc-plated	200	137x115	105x80/75	240	75
2	700284	swivel castor with brake	SS	200	137x115	105x80/75	240	75
3	700269	fixed castor for heavy load	steel zinc-plated	200	137x115	105x80/75	240	75
3	700285	fixed castor for heavy load	SS	200	137x115	105x80/75	240	75

swivel castors with bolt hole (steel zinc-plated/SS)

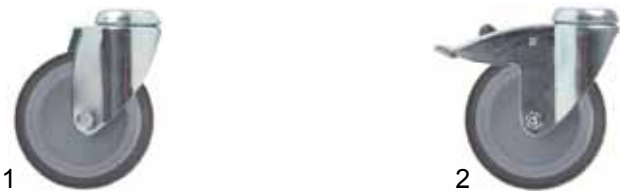

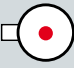

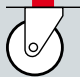

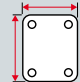
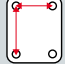

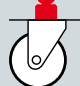


fig.	part no.	description	material				
1	700253	swivel castor	steel zinc-plated	125	11	160	100
1	700275	swivel castor	SS	125	10.3	159	100
2	700254	swivel castor with brake	steel zinc-plated	125	11	160	100
2	700276	swivel castor with brake	SS	125	10.3	159	100






swivel castors with plate (plastic)



fig.	part no.	description					
1	700305	swivel castor	125	95x70	75x50	166	100
2	700304	swivel castor with brake	125			166	100
3	700306	fixed castor for heavy load	125			166	100

swivel castors with round stem (plastic)



fig.	part no.	description					
1	700302	swivel castor	125	18	62	162	100
2	700303	swivel castor with brake	125	18	62	162	100
3	700277	fixed castor for heavy load	125	18	62	162	100

spare parts and accessories



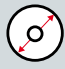

fig.	part no.	description		fig.	part no.	description	
1	700278	wheel ball bearing	125	3	700281	wheel ball bearing sealed	160
1	700279	wheel ball bearing sealed	125	4	700282	wheel ball bearing sealed	200
2	700280	wheel slide bearing	125				



fig.	part no.	description	fig.	part no.	description
1	700370	sleeve for stem \varnothing 18mm-pipe \varnothing 22mm	3	700376	expansion sleeves for round pipe \varnothing inner 24-27mm
2	700371	sleeve for stem \varnothing 18mm-pipe \varnothing 22.5mm	3	700377	expansion sleeves for round pipe \varnothing inner 27-30mm
2	700372	sleeve for stem \varnothing 18mm-pipe \varnothing 30mm	3	700378	expansion sleeves for round pipe \varnothing inner 31-35mm
2	710065	sleeve for stem \varnothing 18mm-pipe \varnothing 22.5x22.5mm	4	700379	expansion sleeves for square pipe inner 21.5x21.5-24x24mm
3	700374	sleeve for stem \varnothing 18mm-pipe \varnothing 27.5x27.5mm	4	700380	expansion sleeves for square pipe inner 24x24-27x27mm
3	700375	expansion sleeves for round pipe \varnothing inner 19-21.5mm	4	700381	expansion sleeves for square pipe inner 27x27-30x30mm
3	700375	expansion sleeves for round pipe \varnothing inner 19-21.5mm	4	700382	expansion sleeves for square pipe inner 32x32-35x35mm
3	700375	expansion sleeves for round pipe \varnothing inner 21.5-24mm	4	700383	expansion sleeves for square pipe inner 36x36-40x40mm

bumper wheels



fig.	part no.	description	pipe (mm)
1	700153	bumper wheel for round pipe	20
1	700154	bumper wheel for round pipe	25
1	700155	bumper wheel for round pipe	30

fig.	part no.	description	pipe
1	700156	bumper wheel for square pipe	35
2	700157	bumper wheel for square pipe	25x25
3	690899	bumper wheel for square pipe	25x25

corner bumpers

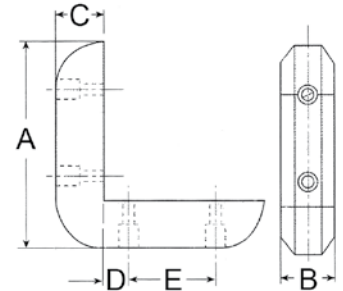


fig.	part no.	material	A	B	C	D	E	suitable for	equiv. no.
1	690334	soft PVC	96	25	22	13.5	40	universal	
2	690421	silicone	96	25	22	13.5	40	universal	
3	690890	thermoplastic	183	27	33	34	60	Rieber	37130701
4	690898	thermoplastic	170	30	40	18	65	Blanco	00362453

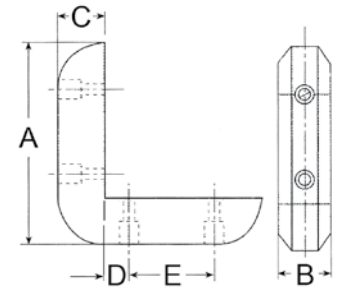


fig.	part no.	material	A	B	C	D	E	suitable for	equiv. no.
1	690378	thermoplastic	163	23	33	32	50	Blanco	145429
2	690933	thermoplastic	150	35	31	17.5	65	Blanco	00144651
3	690908	thermoplastic	180	30	31	29	80	Hupfer Blanco	014002110 00127640
4	690938	rubber	125	29	27	35	30	Abner RM Gastro	M115503 407830000

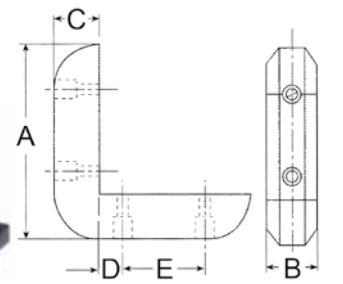
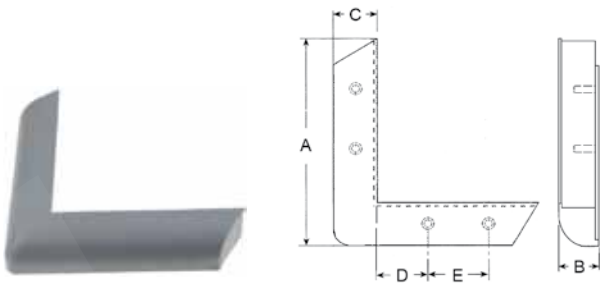


fig.	part no.	material	A	B	C	D	E	suitable for	equiv. no.
1	690935	thermoplastic	145	29	25	22	70	Mobile Containg	958000
2	690924	thermoplastic	235	38	70	22	63	Blanco	0014
3	690154	thermoplastic	167	22	26	40	59	Köhler-Esback	3000555
4	690153	thermoplastic	175	31	36	40	50	Blanco	00146220



no.	part no.	material	A	B	C	D	E	suitable for	equiv. no.
1	690942	thermoplastic	180	28	35	45	52	Metalcarrelli	233004680002

consoles

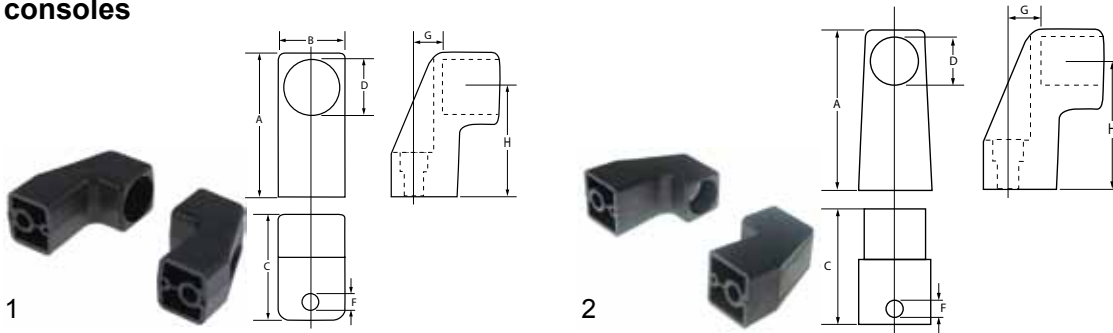


fig.	part no.	material	A	B	C	D	E	F	G	H	suitable for	equiv. no.
1	690115	thermoplastic	79	37	57	30	-	105	15	60	universal	-
2	691132	thermoplastic	75	37	56	25	-	105	15	58	universal	-

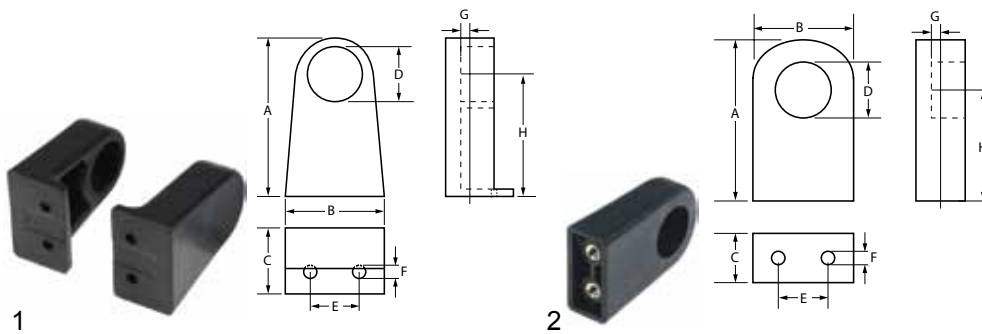


fig.	part no.	material	A	B	C	D	E	F	G	H	suitable for	equiv. no.
1	690329	thermoplastic	68	56	30	25	22	5.5	12	50	Scholl	79.01.64
2	690925	thermoplastic	73	45	22	25	20	M6	4	50	Blanco	00144041

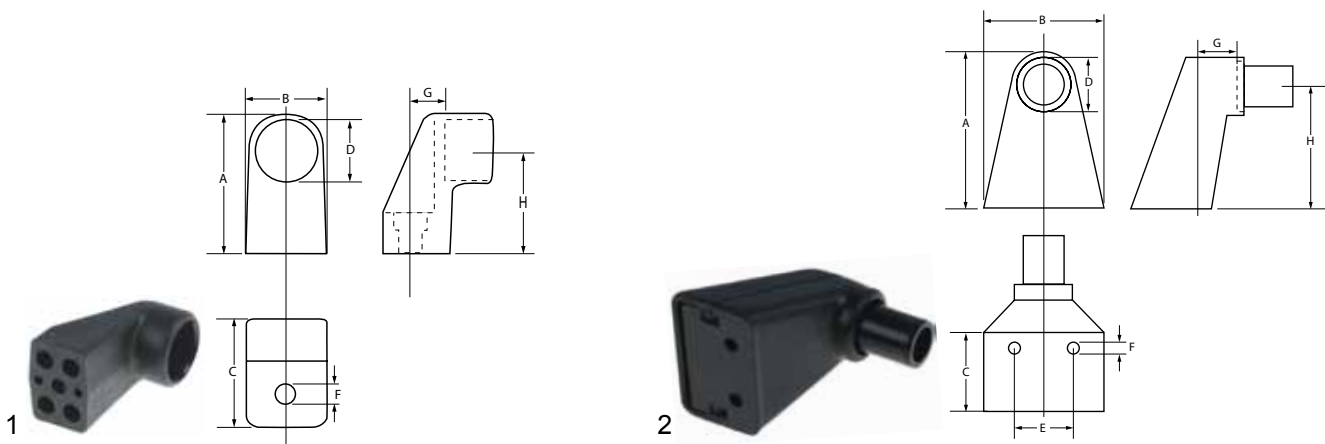


fig.	part no.	material	A	B	C	D	E	F	G	H	suitable for	equiv. no.
1	690939	thermoplastic	80	46	53	30	-	8.5	9	60	Abner	M115398
2	690889	thermoplastic	75	65	46	25	30	7.0	19	54	Rieber	37130501

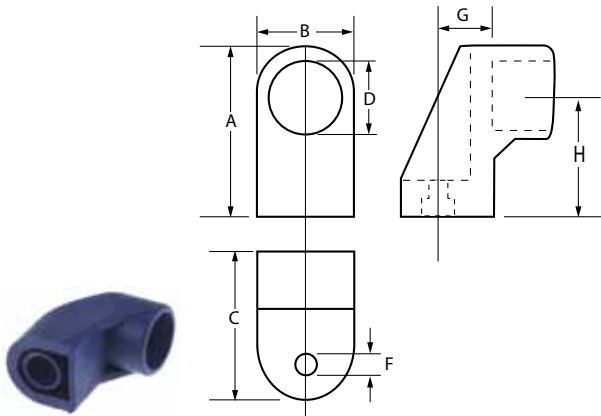


fig.	part no.	material	A	B	C	D	E	F	G	H	suitable for	equiv. no.
1	693465	thermoplastic	60	33	49	25	-	7	15	44	Blanco	00146585

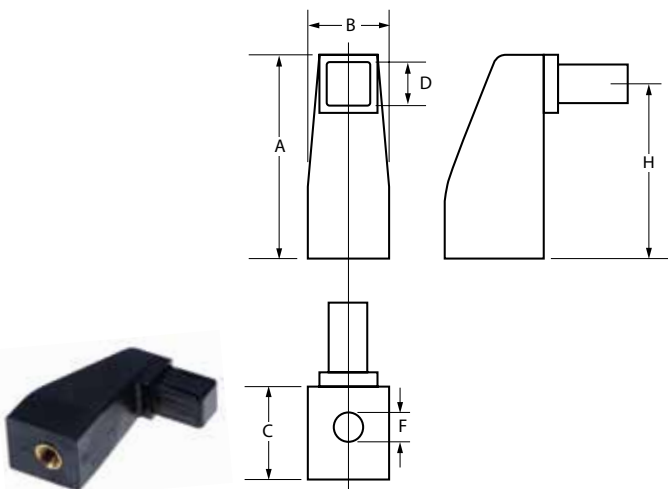


fig.	part no.	material	A	B	C	D	E	F	G	H	suitable for	equiv. no.
1	690718	thermoplastic	71	28	35	20x20	-	M10	19	61	Mobile Containing	95.8170

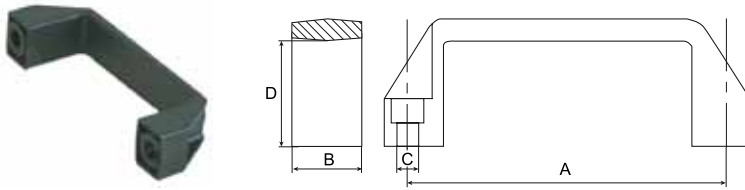
stainless steel pipes



no.	part no.	ø (mm)	L (mm)	no.	part no.	ø (mm)	L (mm)	no.	part no.	ø (mm)	L (mm)
1	690931	25	256	6	690893	25	490	10	690928	25	708
2	690892	25	290	7	690930	25	495	11	690439	30	300
3	690897	25	362	8	690442	25	500	12	690440	30	500
4	690894	25	450	9	690932	25	605	13	690441	30	700
5	690929	25	473								

handles

pull handles (plastic)



no.	part no.	material	A	B	C	D	suitable for	equiv. no.
1	690083	thermoplastic 150°C	94	21	6.5	29	universal	-
1	690084	thermoplastic 150°C	117	26	8.5	34	universal	-
1	690079	thermoplastic 150°C	132	27	8.5	38	universal	-
1	690075	thermoplastic 150°C	179	28	8.5	42	universal	-
1	690076	thermoplastic 150°C	235	31	10.5	45	universal	-



fig.	part no.	material	A	B	C	D	suitable for	equiv. no.
1	691312	thermoplastic 100°C	72	12	M4	15	RM Gastro	407801100
2	691327	thermoplastic 150°C	105	28	M6	26	Mareno	CM073100
3	700737	thermoplastic 150°C	109	25	M4	18	RM Gastro	407802100
4	691510	thermoplastic 150°C	112	31	M6	28	Bartscher	A040575
5	693328	thermoplastic 100°C	117	23	M6	34	universal	-
6	690182	thermoplastic 150°C	117	24	M5	32	Mercury	03.6.1466.0

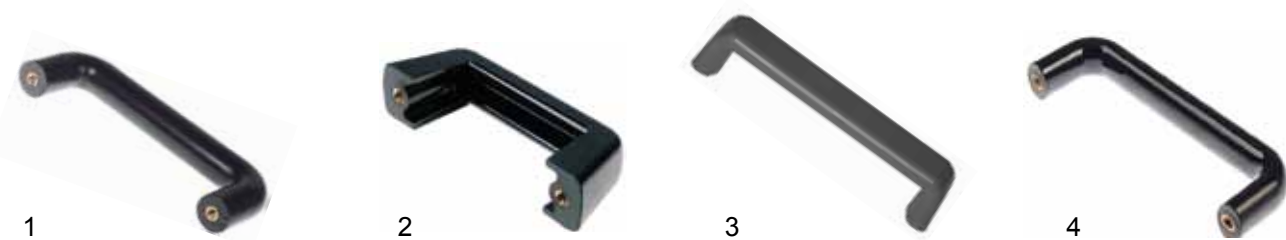


fig.	part no.	material	A	B	C	D	suitable for	equiv. no.
1	693609	thermoplastic 150°C	127	20	M4	30	CB	10010009
2	691263	Duroplast 150°C	132	36	M8	36	Sirman	IB4200910
3	510478	thermoplastic 150°C	152	30	M5	26	Comenda	170801 170812
4	700551	Duroplast 150°C	179	30	M8	42	Tecnoinox Fage	RC00003101 MANMS180



fig.	part no.	material	A	B	C	D	suitable for	equiv. no.
1	690452	thermoplastic 100°C	95	14	5.5	20	universal	-
2	690183	thermoplastic 100°C	110	25	6.5	30	Mercury	03.6.1612.0
3	690918	thermoplastic 100°C	140	30	7	30	Köhler-Esback	3000607



fig.	part no.	material	A	B	C	D	suitable for	equiv. no.
1	690895*	thermoplastic 100°C	-	30	5.2	30	Hupfer	162592
2	690904	thermoplastic 100°C					Blanco	00146416
3	690905	thermoplastic 100°C					Blanco	00146417

*Qty: one pair

pull handles (metal)



fig.	part no.	material	A	B	C	D	suitable for	equiv. no.
1	505001	aluminium	170	36	M6	32	Fagor	U580521
1	505002	aluminium	260	36	M6	32	Fagor	Z200512
2	693726	aluminium	164	30	M5	30	Nayati	GS3780
2	693725	aluminium	592	30	M5	30	Nayati	GS3782
3	695616	aluminium	185	26	4.2	37	Giga	AVA013ZR10
3	691338	aluminium	470	26	4.2	37	Giga	AVA011ZR10
4	691679	aluminium	258	32	M6	32	Fagor	Z400542000
5	691328	steel chrome-plated	235	30	M6	40	Mareno	1031110900



fig.	part no.	material	A	B	C	D	suitable for	equiv. no.
1	693810	aluminium	420	16	M5	26	MBM	RIC0002479
2	693961	aluminium	522	23	M5	43	Smeg	184930822
3	693962	aluminium	522	23	M5	43	Smeg	184930930
4	693960	aluminium	660	18	M5	43	Smeg	184930691



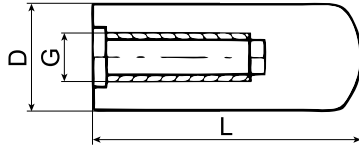
fig.	part no.	material	A	B	C	D	suitable for	equiv. no.
1	691315	SS	175	30	M5	33	RM Gastro	408015110
1	691374	SS	497	30	M5	33	RM Gastro	408015100
2	691681	SS	170	30	M5	29	Fagor	Z400540000
2	691678	SS	580	30	M5	29	Fagor	U560501000
3	693229	SS	279	16	M5	27	Tecnoeka	09960099002
3	693225	SS	497	16	M5	27	Tecnoeka	09960209002
4	506147	SS	390	25	M8	36	Lamber	0500049
5	504163	SS	290	30	M8	30	Mach	511039400

pull handles (fridge)



fig.	part no.	material	A	B	C	D	suitable for	equiv. no.
1	690450	plastic/aluminium	226	28	5.5	25	universal	-
1	690451	plastic/aluminium	376	28	5.5	25	universal	-
2	690449	plastic/aluminium	232	19	6.5	27	universal	-
2	690448	plastic/aluminium	375	19	6.5	27	universal	-

cylindric handles



no.	part no.	description	G	Dø	L
1	693471	with internal thread	M8	20	36
2	111056	with internal thread	M10	19	54

no.	part no.	description	G	Dø	L
3	111037	with internal thread	M10	24	80
4	697442	with internal thread	M12	28	30

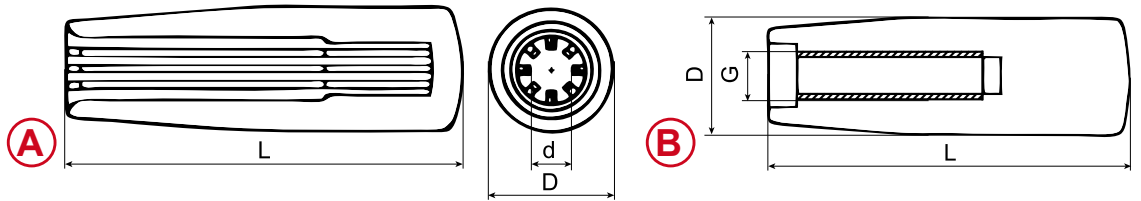
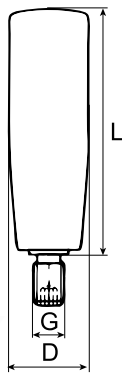


fig.	part no.	description	G	dø	Dø	L
1A	110332	bullet handle		10	23	65
1A	110331	bullet handle		12	26	80
1B	540235	with internal thread	M6		18	40
1B	540236	with internal thread	M6		21	50
1B	540713	with internal thread	M8		17	38
1B	112917	with internal thread	M8		23	55
1B	540237	with internal thread	M8		23	65
1B	691314	with internal thread	M8		28	86
1B	690158	with internal thread	M8		29	112

fig.	part no.	description	G	Dø	L
1B	111036	with internal thread	M10	21	50
1B	111597	with internal thread	M10	23	65
1B	540238	with internal thread	M10	26	80
1B	110703	with internal thread	M10	28	87
1B	529183	with internal thread	M10	29	86
1B	514065	with internal thread	M12	23	65
1B	110803	with internal thread	M12	28	85
1B	110804	with internal thread	M12	29	115



no.	part no.	description	G	Dø	L
1	540245	rotary, screws SS	M6	21	50
2	540246	rotary, screws SS	M8	23	65

no.	part no.	description	G	Dø	L
3	693332	rotary, screws zinc-plated	M8	23	65
4	540247	rotary, screws SS	M10	26	80

cone handles

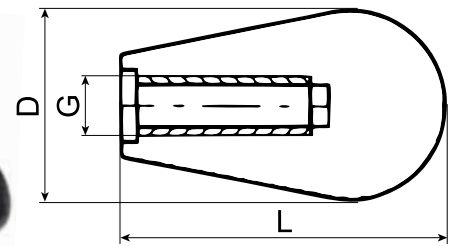


fig.	part no.	description	G	Dø	L
1	110704	with internal thread	M6	16	25
1	111092	with internal thread	M8	24	41
1	691395	with internal thread	M8	24	59
1	528942	with internal thread	M8	28	46
1	111129	with internal thread	M10	34	55

fig.	part no.	description	G	Dø	L
2	693121	with internal thread	M8	33	82
2	112942	with internal thread	M10	29	67
3	697517	with internal thread	M10	30	66
4	698195	with internal thread	M10	32	87

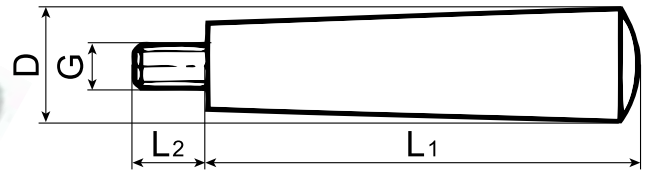


fig.	part no.	description	G	Dø	L1	L2
1	540232	with external thread	M6	18	64	8
1	540233	with external thread	M6	21	72	10
1	697432	with external thread	M6	26	70	6
1	697431	with external thread	M6	26	70	10
1	540234	with external thread	M8	25	90	10

fig.	part no.	description	G	Dø	L1	L2
2	693036	with external thread	M8	28	105	11
3	514256	with external thread aluminium	M10	26	82	15

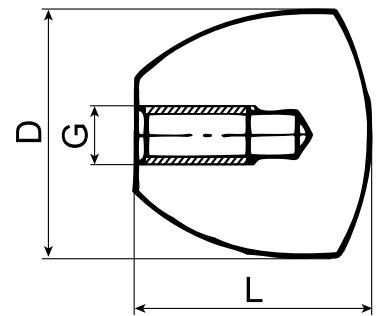
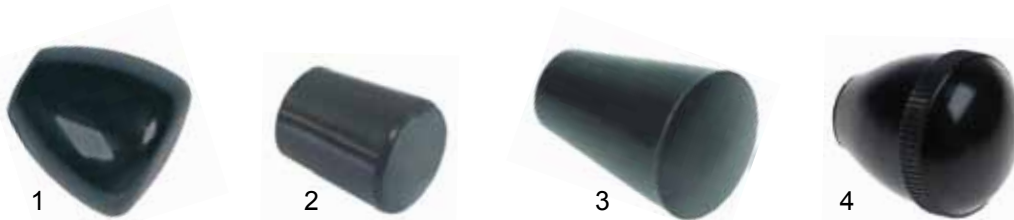


fig.	part no.	description	G	Dø	L
1	110920	with internal thread	M5	25	26
2	111145	with internal thread	M6	20	26

fig.	part no.	description	G	Dø	L
3	112059	with internal thread	M6	24	17
4	111236	with internal thread	M10	33	35

ball handles

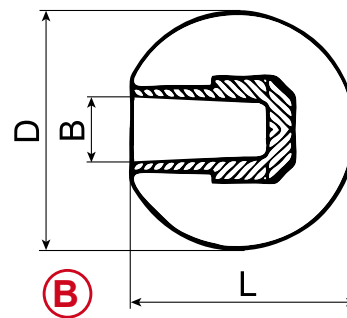
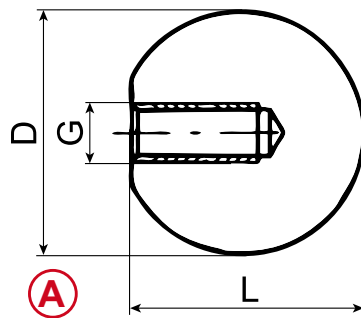


fig.	part no.	description	G	Bø	Dø
1A	697346	with internal thread	M4		20
1A	540320	with internal thread	M5		20
1A	540075	with internal thread	M5		25
1A	691311	with internal thread	M6		20
1A	540321	with internal thread	M6		25
1A	510496	with internal thread	M6		29

fig.	part no.	description	G	Bø	Dø
1A	101718	with internal thread	M8		25
1A	540322	with internal thread	M8		32
1A	691438	with internal thread	M8		40
1A	693488	with internal thread	M10		34
1A	540323	with internal thread	M10		40
1B	693474	bullet handle		conical 12	40

star handles

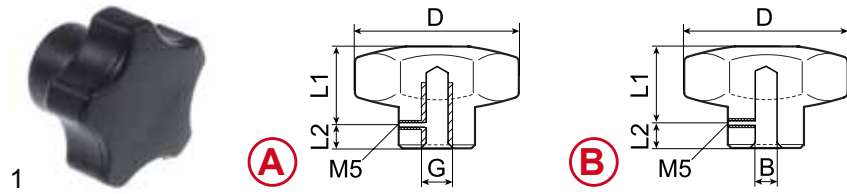


fig.	part no.	finish	G	Bø	Dø	L
1A	697765	threaded blind hole	M6		30	22
1A	698200	threaded blind hole	M6		40	29

fig.	part no.	description	Bø	Dø	L1	L2
1B	540738	blind hole	10	60	38	10

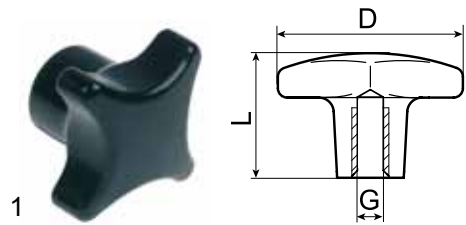


fig.	part no.	finish	G	Dø	L
1	698183	threaded blind hole	M8	40	26



fig.	part no.	finish	G	Dø	L1	L2
1	697443	threaded blind hole	M8	50	29	-

fig.	part no.	description	G	Dø	L1	L2
2	111785	threaded blind hole	M12	70	40	8

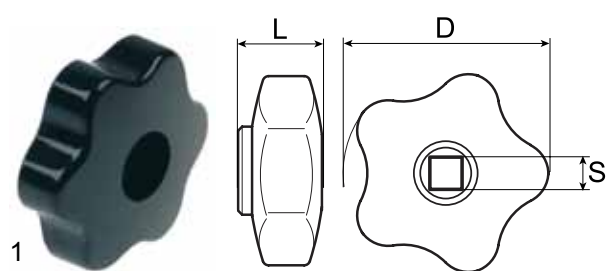


fig.	part no.	finish	S	Dø	L
1	514051	square hole	7x7	63	22
1	541563	square hole	7x7	74	24

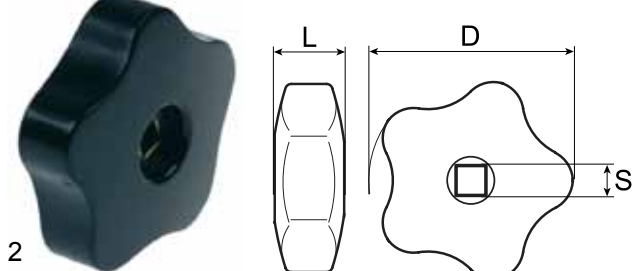
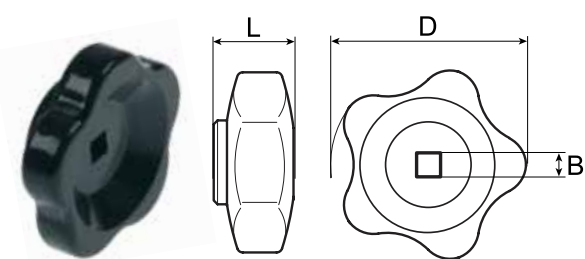


fig.	part no.	description	S	Dø	L
2	111666	square hole	7x7	70	22
2	111836	square hole	8x8	70	22



no.	part no.	finish	S	Dø	L
1	540365	square hole	6x6	50	18
2	541559	square hole	8x8	80	23

no.	part no.	description	S	Dø	L
3	540229	square hole	9x9	80	23
4	541361	square hole	9x9	100	25

hand wheels

with folding handle



fig.	part no.	description	Dø	dø	L	suitable for	equiv. no.
1	690853	hand wheel without handle	150	6	--	Silko	0100482
2	690855	folding handle	--	--	82	Silko	0100483
3	690854	hand wheel without handle	200	6	--	Silko	0100480
4	690856	folding handle	--	--	105	Silko	0100481



fig.	part no.	description	Dø	dø	handle type	L	d1	suitable for	equiv. no.
1	691974	hand wheel without handle	178	20	--	8	M8	Electrolux Zanussi	052392 052392
2	690859	folding handle	--	--	C	--	--	Electrolux Zanussi	052393 052393

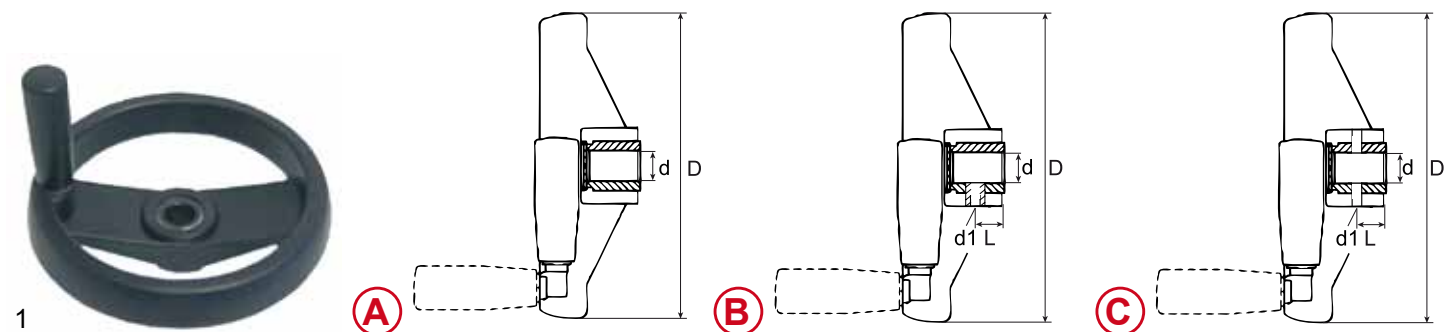
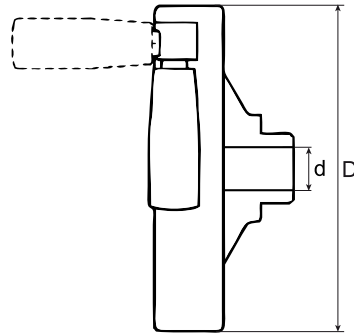
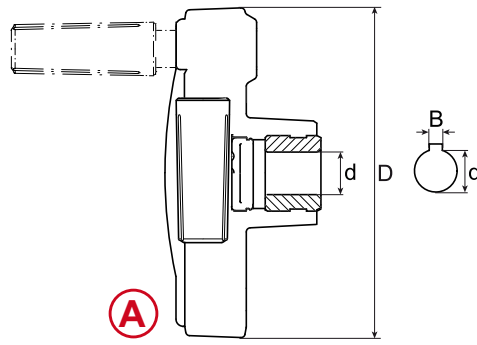


fig.	part no.	description	Dø	dø	handle type	L	d1	suitable for	equiv. no.
1A	690082	hand wheel with folding handle	160	16	A	--	--	universal	
1A	690609	hand wheel with folding handle	200	16	B	--	--	Emmepi universal	C00248 --
1A	690085	hand wheel with folding handle	200	20	B	--	--	Electrolux Juno Fagor Fagor	0H6471 234851 X156117 X156139
1B	514026	hand wheel with folding handle	160	16	A	9	M8	Mareno	1685691
1B	690860	hand wheel with folding handle	160	16	A	8	M5	Küppersbusch	061425
1C	693399	hand wheel with folding handle	160	16	A	4	4	Electrolux Zanussi	0A5164 0A5164
1B	690553	hand wheel with folding handle	200	16	B	15	M6	Küppersbusch	61424
1B	690086	hand wheel with folding handle	200	20	B	9	M8	Mareno Angelo Po	1475200 36M4910
1C	690249	hand wheel with folding handle	200	20	B	11	7	Angelo Po	36M5562



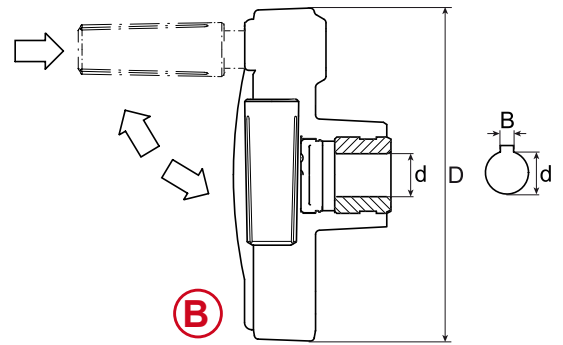
1

fig.	part no.	description	Dø	dø	handle type	L	d1	suitable for	equiv. no.
1	690964	hand wheel with folding handle	200	20	C	--	--	MKN	216907



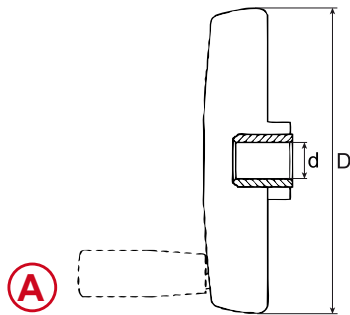
1

A



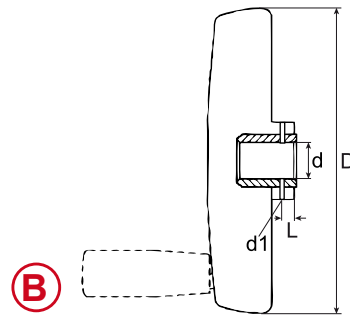
B

fig.	part no.	description	Dø	dø	B	handle type	suitable for	equiv. no.
1A	690800	hand wheel with folding handle	150	16	5	--	Küpperbusch Thielmann	540479 144139
1B	690901	hand wheel with Sicherheits-folding handle	150	16	5	--	Küpperbusch Thielmann	540479 144139



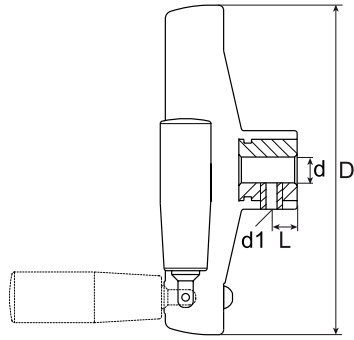
1

A



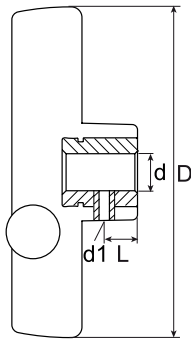
B

fig.	part no.	description	Dø	dø	handle type	b	L	suitable for	equiv. no.
1A	693113	hand wheel with folding handle	150	14	A	5	--	GIGA STAR 10 OFFCAR Firex LOTUS Silko	0900X18500 X18500 FXSMB013600 SMB013600 SMB013600 LC336-00
1A	690550	hand wheel with folding handle	200	20	D	6	--	GIGA STAR 10 Berto's Silko	0900Y41900 0900Y41900 35995000 9203665
1B	690555	hand wheel with folding handle	200	20	D	6	7	MBM	RTBF800093



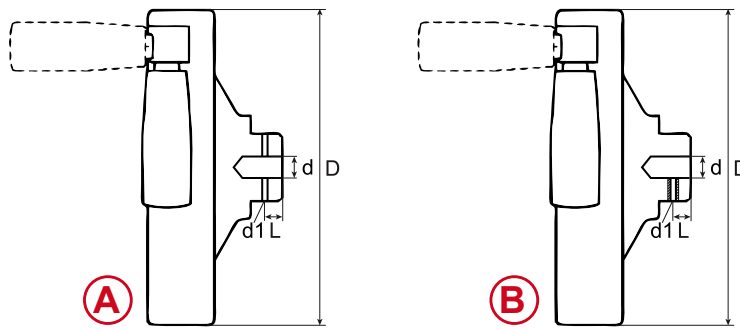
1

fig.	part no.	description	Dø	dø	handle type	L	d1ø	suitable for	equiv. no.
1	690556	hand wheel with folding handle	130	14		8	M6	MBM	164461



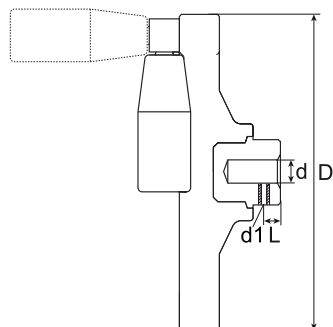
1

fig.	part no.	description	Dø	dø	handle type	L	d1ø	suitable for	equiv. no.
1	690965	hand wheel with folding handle	170	16	--	7	M6	MKN	216076



1

fig.	part no.	description	Dø	dø	handle type	L	d1ø	suitable for	equiv. no.
1A	693437	hand wheel with folding handle	150	22	E	6	6	Nayati	GS3790
1B	690858	hand wheel with folding handle	178	20	C	8	M8	Electrolux Zanussi	



1

fig.	part no.	description	Dø	dø	handle type	L	d1ø	suitable for	equiv. no.
1	691018	hand wheel with folding handle	150	15	F	6	M6	Modular	65101800



1

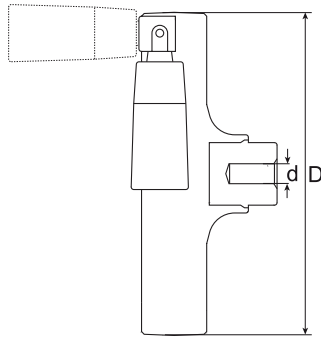
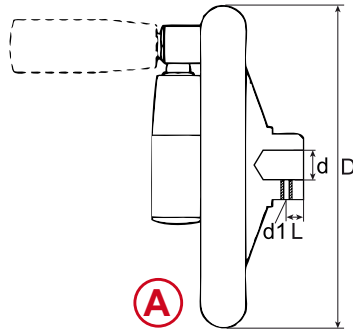


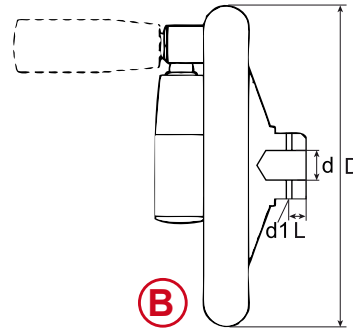
fig.	part no.	description	Dø	dø	handle type	L	d1ø	suitable for	equiv. no.
1	514398	hand wheel with folding handle	200	15	--	6	M6	Berto's	31995000



1



A



B

fig.	part no.	description	Dø	dø	handle type	L	d1ø	suitable for	equiv. no.
1A	690852	hand wheel with folding handle	175	20	G	7	M6	Ambach	2020100286
1B	691815	hand wheel with folding handle	180	14	K	5	4	G.I.C.O.	770307460
1B	540742	hand wheel with folding handle	180	17	K	10	5	G.I.C.O.	790325450



1

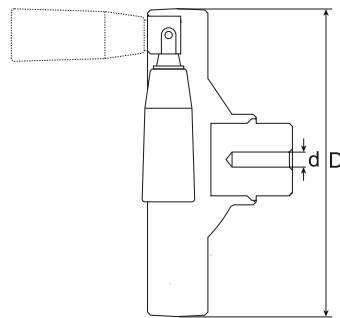


fig.	part no.	description	Dø	dø	handle type	L	d1ø	suitable for	equiv. no.
1	693159	hand wheel with folding handle	200	20		6	M6	Olis ALI	A039702



1

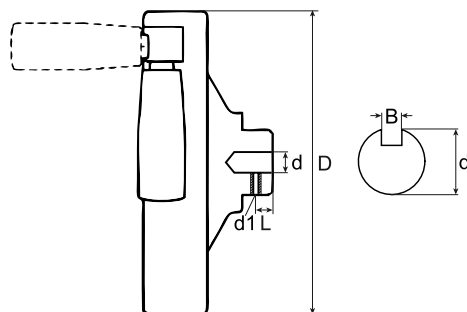


fig.	part no.	description	Dø	dø	handle type	L	suitable for	equiv. no.
1	691973	hand wheel with folding handle	150	17	E	5	Falcon	731750510

with fixed handle



1

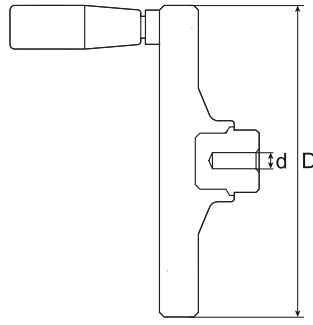


fig.	part no.	description	Dø	dø	handle type	L	d1ø	suitable for	equiv. no.
1	693156	hand wheel with fixed handle	150	15		6	M6	Olis ALI	A039705



1

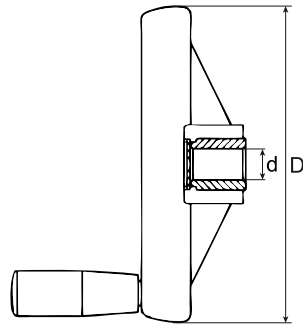


fig.	part no.	description	Dø	dø	handle type	suitable for	equiv. no.
1	690551	hand wheel with fixed handle	200	20		universal Electrolux JUNO Therma	0H6472 234854 19006140

23

Locks and fittings



1

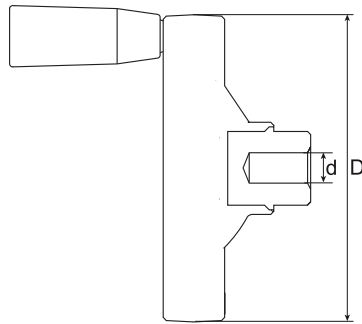


fig.	part no.	description	Dø	dø	handle type	L	d1ø	suitable for	equiv. no.
1	691441	hand wheel with fixed handle	160	20		6	M6	Olis ALI	6A039710

hand wheel handles
folding handle

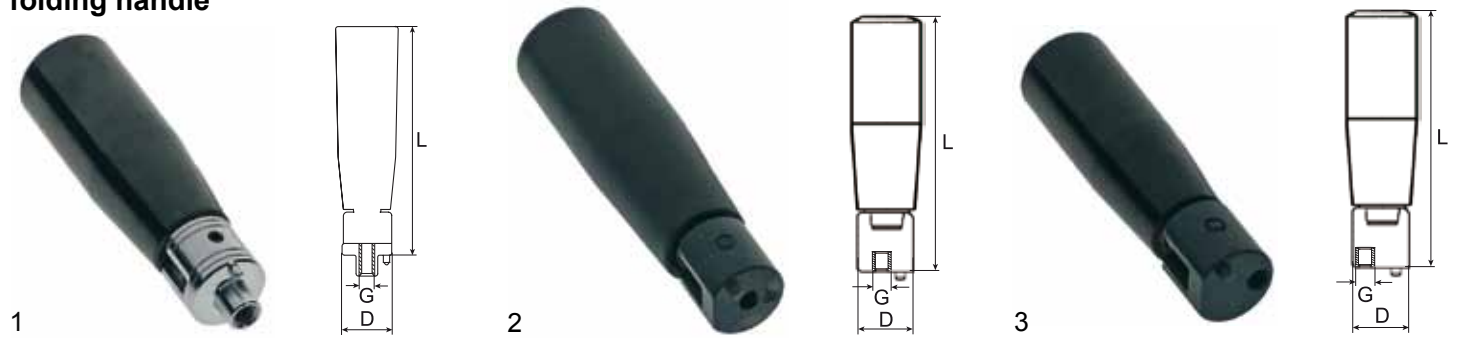


fig.	part no.	handle type	mounting	metal parts	G	L	D
1	690855	H	centre	steel	19	82	M6
1	690856	G	centre	steel	21	107	M6
2	514255	A	centre	steel	20	85	M6
2	514179	B	centre	steel	20	100	M6
2	514180	D	centre	steel	20	110	M6
3	514178	E	off-centre	steel	20	85	M6
3	514181	F	off-centre	SS	20	85	M6
3	690859	C	off-centre	steel	26	110	M6

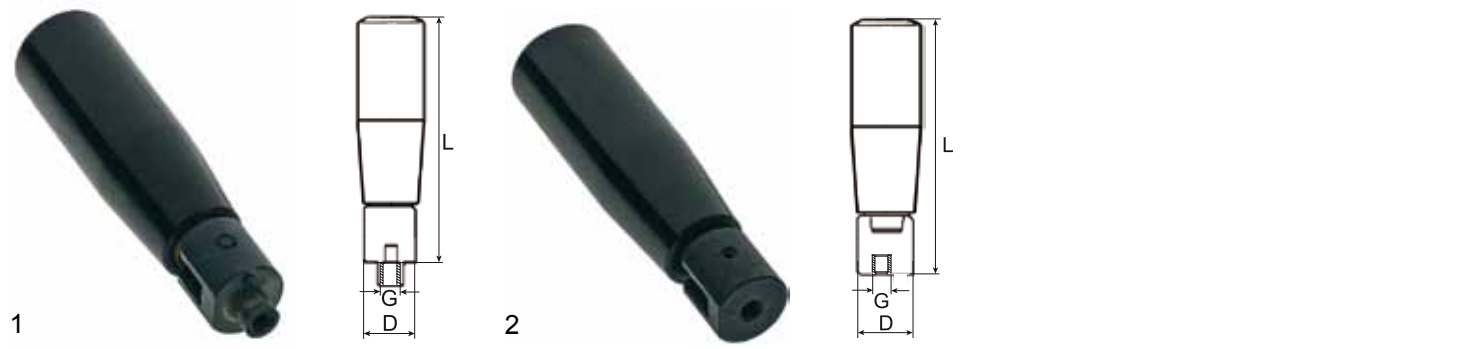
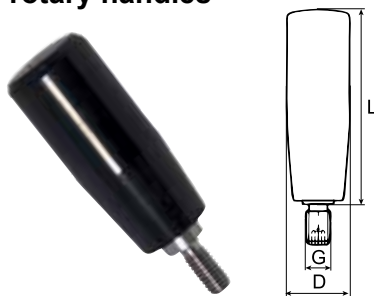


fig.	part no.	handle type	mounting	metal parts	A	L	M
1	514177	K	centre	steel	20	100	M6
2	514254	L	centre	steel	20	102	M6

rotary handles



no.	part no.	handle type	mounting	metal parts	A	L	M
1	540245		centre	SS	21	50	M6
2	540246		centre	SS	23	65	M8
3	693332	N	centre	steel/cp	23	65	M8
4		M	centre	steel/cp	26	80	M8
5	540247	O	centre	SS	26	80	M10

waste chutes

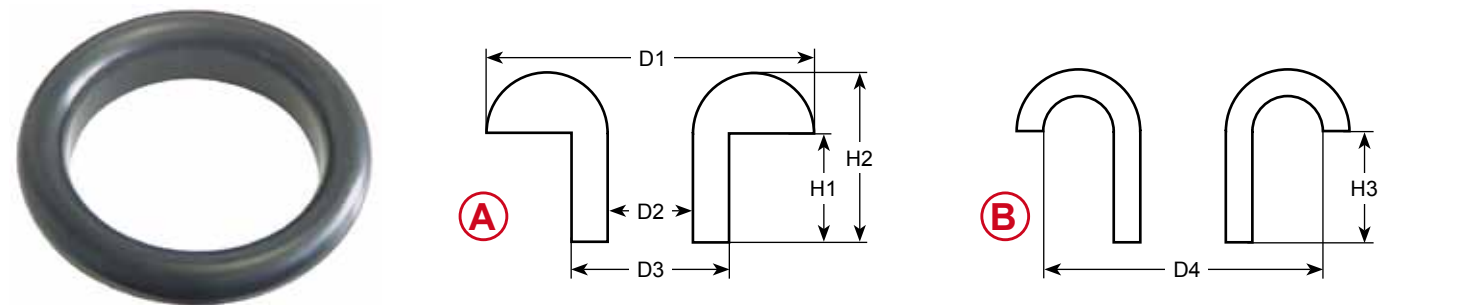


fig.	part no.	D1	D2	D3	D4	H1	H2	H3
1A	530600	237	180	205	-	30	55	-
1B	690333	234	166	200	218	25	50	35

equipment feet

with threaded bolt



fig.	part no.	material			
1	700857	SS	38	M8	55-70
1	700859	SS	38	M8	89-99
1	700858	SS	38	M10	55-70
1	700860	SS	38	M10	89-99

fig.	part no.	material			
2	802132	SS	50	M10	55-67
2	527176	SS	50	M10	88-100
2	700810	SS	50	M10	107-135



fig.	part no.	material			
1	700761	SS	50	M10	130-180
2	700864	SS	57	M10	135-190
3	513287	SS	60	M12	155-235
5	701087	SS	64	M10	123-160
6	700866	SS	64	M10	135-190

fig.	part no.	material			
8	700867	SS	64	M12	135-215
9	700868	SS	64	M12	155-235
10	701202	SS	67	M10	115-175
11	701205	SS	67	M10	150-190



fig.	part no.	material			
1	700116	SS	64	M12	95-135
2	690038	StVc	42	M10	87-140

fig.	part no.	material			
3	700826	SS	56	M10	107



fig.	part no.	material				suitable for	equiv. no.	fig.	part no.	material				suitable for	equiv. no.
1	691381	StVc	32	3/8"UNC	102-145	Turbochef		4	701080	plastic	60	M10	75-110	Smeg	
2	691476	plastic	36	3/8"UNC	101-135	Hatco		5	701203	plastic	65	M10	115-180	RM Gastro	
3	701081	plastic	42	M10	50-65	Smeg		6	701088	plastic	65	M10	115-180	Desmon	

feet with threaded bolt and floor mounting



no.	part no.	material			
1	700127	SS	64	M10	100-130

feet with plate



fig.	part no.	material				fig.	part no.	material				fig.	part no.	material						
1	701204	SS	52	65x67	51x51	120-190	3	701089	SS	64	85x100	55x75	120-180	3	700708	SS	64	90x90	70x70	140-195
2	700724	SS	57	70x70	56x56	130-215	3	700742	SS	64	88x100	70x80	135-200	3	700862	SS	64	100x100	85x85	135-190
2	700863	SS	57	82.5x82.5	65x65	135-215	3	700865	SS	64	90x130	75x105	135-215							
2	700712	SS	57	85x105	60x78	135-215														
2	700861	SS	57	100x100	85x85	130-175														
3	700823	SS	64	80x100	55x78	130-185														



1

2

fig.	part no.	material				
1	700806	SS/plastic	63	81x81	64x64	135-190

fig.	part no.	material				
2	700709	SS/plastic	67	80x100	60x80	115-185



1

2

fig.	part no.	material			
1	700848	plastic	80x103	60x80	150-180

fig.	part no.	material			
2	701003	plastic	95x95	70x70	155-215

various



1

2

3

4

5

fig.	part no.	thread		suitable for	equiv. no.
1	695677	1 1/4" internal	180-190	Icematic	25570870/0
2	701000	1" external	115-126	Scotsman	65067000
3	701093	1 1/4" external	68	Scotsman	25570880

fig.	part no.	thread		suitable for	equiv. no.
4	701090	2" external	145	Angelo Po	36D4000
5	701091	1 1/2" internal	125	Angelo Po	6000150

bullet foot plastic



fig.	part no.			
1	700099	30X30	1	18-45
2	700100	35x35	1.5	19-55

fig.	part no.			
3	700101	40x40	1-1.5	20-35



fig.	part no.			
1	700117	30X30	1.2-1.5	23-55
2	700118	35x35	1.2-1.5	15-50

fig.	part no.			
3	700119	40x40	1.2-1.5	30-62
4	700870	40x40	1.2-1.5	30-62



fig.	part no.			
1	700108	40x40	1-1.2	17-55

bullet foot plastic/ss

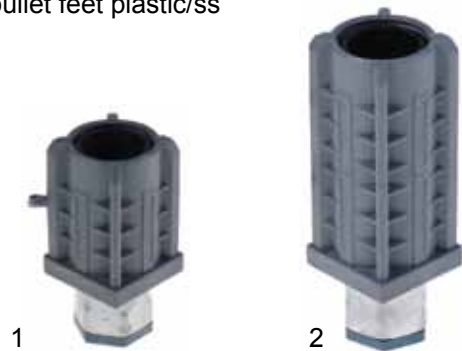


fig.	part no.			
1	700110	40x40	1-1.2	28-72

fig.	part no.			
2	700869	40x40	1-1.2	32-100

bullet feet Zamak/SS



no.	part no.				no.	part no.			
1	700112	40x40	1	33-60	2	700113	40x40	1.2	37-67

bullet feet Zamak



fig.	part no.				fig.	part no.			
1	700114	35x35	1.2-1.5	27-55	2	700115	40x40	1.2-1.5	37-65

feet with stem



fig.	part no.				suitable for	equiv. no.	fig.	part no.				suitable for	equiv. no.
1	527380	6mm	12mm	2.5mm	Acopa	9050	4	802133	8mm	25mm	4mm	universal	
2	650012	13.5mm	18mm	10mm	Cunill	CUN/024	5	802130	10mm	40	15	universal	
3	514010	10mm	20mm	4mm	Mareno	1036016200							



fig.	part no.				suitable for	equiv. no.	fig.	part no.				suitable for	equiv. no.
1	701083	7mm	20mm	10mm	Smeg	755770280	2	701206	10mm	31.5mm	14mm	Liebherr	7402121

feet with blind hole



fig.	part no.				suitable for	equiv. no.	fig.	part no.				suitable for	equiv. no.
1	697330	20mm	36mm	38mm	Pizza Group	8301340	2	697369	10mm	47mm	35mm	Omas	P5008

feet with hole



fig.	part no.				suitable for	equiv. no.	fig.	part no.				suitable for	equiv. no.
1	691345	5mm	28mm	21mm	RM Gastro	407810000	5	527181	6.5mm	30mm	14mm	Wega	WY28360015
2	691117	4mm	20mm	23mm	Smeg	765770202	6	697433	4.8mm	35mm	24mm	RGV	140
3	691509	4mm	30mm	18mm	Bartscher	A0AT93602	7	697097	6mm	30mm	25mm	3F Alimacchine	112NT05-70
4	691814	4mm	22mm	20mm	Roller Grill	A13003	8	693122	11mm	45mm	44mm	Star 10	64012

feet with internal thread



no.	part no.				suitable for	equiv. no.
1	697748	M8	40mm	34mm	RGV	1251

feet with threaded bolt



fig.	part no.				suitable for	equiv. no.	fig.	part no.				suitable for	equiv. no.
1	696094	M5x9mm	15mm	10mm	Sirman	IB4356015	4	691344	M8x22mm	23mm	12mm	RM Gastro RM Gastro	636002100 407810500
2	696043	M5x9mm	28mm	24mm	Sirman	MSC04N114K	5	695614	M10x20mm	27mm	30mm	Giga	M06400
3	527271*	M6x10mm	20mm	23mm	Thermo-plan	50.31.00	6	510904	M10x42mm	60mm	30mm	Comenda	210203

*Qty 4 pcs.



fig.	part no.				suitable for	equiv. no.	fig.	part no.				suitable for	equiv. no.
1	691264	M6x16mm	25mm	6.5mm	Sirman	IB4356000	6	691118	M8x25mm	25mm	6.5mm	Smeg	975770293
2	693947	M8x16mm	25mm	8mm	Smeg	975770040	7	700873	M8x25mm	25mm	8mm	universal	
3	695612	M8x20mm	25mm	11mm	Sirman	IV4083500	8	700874	M8x45mm	25mm	8mm	universal	
4	513284	M8x20mm	29mm	12mm	Elettrobar Silanos Sirman	461019 907142 IB4356005	9	691828	M8x26mm	25mm	8mm	Roller Grill	A13009
5	691122	M8x22mm	32mm	13mm	Angelo Po	36E0010	10	695738	M8x27mm	30mm	12mm	Icematic	81502119/0



fig.	part no.				suitable for	equiv. no.	fig.	part no.				suitable for	equiv. no.
1	701079	M8x30mm	38mm	11mm	Smeg	975770151	5	700876	M10x45mm	25mm	8mm	universal	
2	691836	M8x50mm	32mm	11mm	CPE	10.62600.000	6	695545	M10x25mm	40mm	14mm	Friulinox Piron	925640 PIE30001
3	691652	M10x22mm	25mm	7mm	Hoonved	25209	7	695604	M10x25mm	48mm	12mm	Elframo	00000970
4	700875	M10x25mm	25mm	8mm	universal								



fig.	part no.				suitable for	equiv. no.
1	697331	M10x32mm	34mm	12mm	Pizza Group	5874000
2	701065	M10x40mm	50mm	17mm	Desmon	89010430
3	510939	M10x40mm	60mm	15mm	Comenda	440201

fig.	part no.				suitable for	equiv. no.
4	510115	M10x45mm	30mm	10mm	Fagor	Z200107000
5	701004	M10x45mm	42mm	18mm	La Sumilliere	C6025141
6	700710	M12x58mm	32mm	15mm	Angelo Po	36D2970



fig.	part no.				suitable for	equiv. no.
1	693791	M5	35mm	25mm	Sirman	19560201
2	697387	M5	36mm	27mm	Fimar	SL2674
3	697757	M6	37mm	28mm	universal	

fig.	part no.				suitable for	equiv. no.
4	527255	M8	47mm	45mm	Wega	WY15314001
5	802136	M8	47mm	41mm	Sirman	19560202
6	697383	M8	47mm	47mm	RGV	628

miscellaneous



fig.	part no.	suitable for	equiv. no.
1	690184	Mercury	03.1.0906.0
2	514009	Mareno	1036021613

fig.	part no.	suitable for	equiv. no.
3	691521	Unox	PD1000A0
4	695353	Brema Kastel Scotsman	10017 K01086 65038201

fig.	part no.	suitable for	equiv. no.
5	695601	Elettrobar Elframo	461010 00206960

end caps plastic

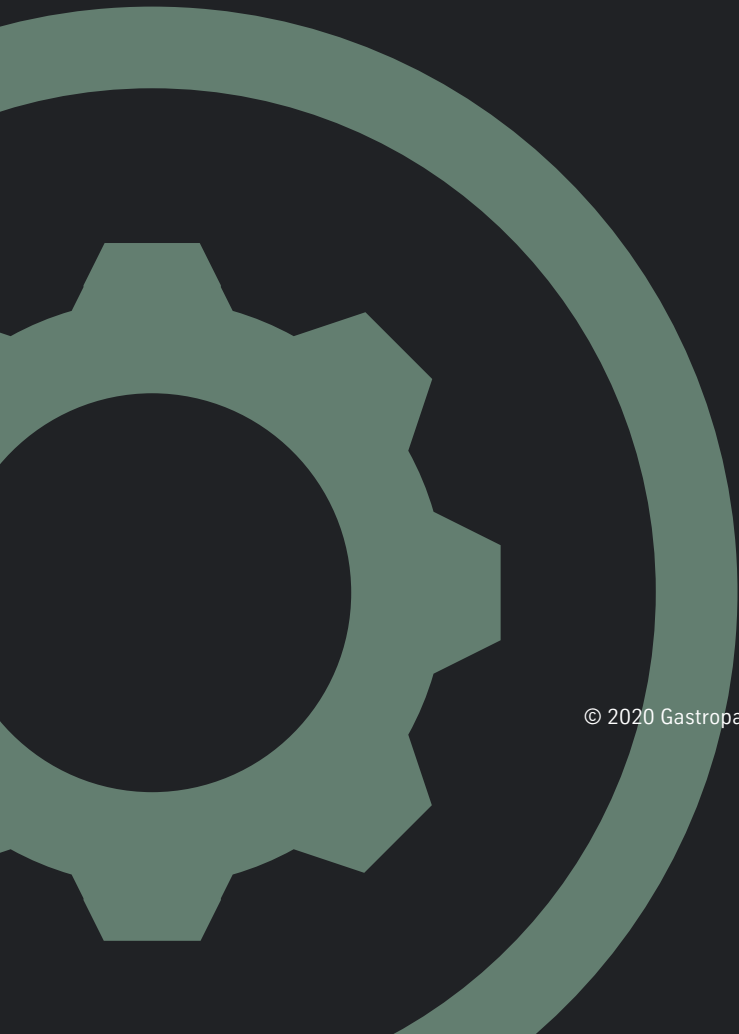


no.	part no.	for pipE (mm)
1	690470	20x20
2	690471	25x25

no.	part no.	for pipE (mm)
3	690472	30x30
4	690473	35x35

no.	part no.	for pipE (mm)
5	690474	40x40
6	691342	30x20

GASTROPARTS.COM



© 2020 Gastroparts Sp. J. All rights reserved.