



GASTROPARTS

Universal Catalogue › Gas Components ›

[EN] Gas burners

[DE] Gasbrenner

[ES] Quemadores de gas

[FR] Brûleurs à gaz

[IT] Bruciatori del gas

[PL] Palniki gazowe

[RU] Газовые горелки

✉ gastroparts@gastroparts.com

☎ tel. +48 56 657 00 66

📘 fb.com/gastroparts.global

GASTROPARTS.COM





gas burners

5

hob burners.	174
bar burners.	240
tube burners.	254
solid top burners.	255
ceramic burners.	255
round burners.	256
ring burners.	257
star burners.	257
miscellaneous.	257



gas burners

hob burners

universal hob burners

GEV



fig. Part No. description

1	103066	burner cap ø 80 mm
2	103065	burner ring for burner cap ø 80mm
3	104100	burner head for burner cap ø 80mm



fig. Part No. description

4	103068	burner cap ø 100 mm
5	103067	burner ring for burner cap ø 100mm
6	104102	burner head for burner cap ø 100mm



fig. Part No. description

7	106380	burner holder for burner cap ø 80mm with nozzle holder without mixing sleeve
8	106379	air mixing tube for burner cap ø 80mm L 23mm D1 ø 20mm D2 ø 15,6mm D3 ø 14mm
7	104246	burner holder for burner cap ø 100mm with nozzle holder without mixing sleeve
8	104247	air mixing sleeve for burner cap ø 100mm L 23mm D1 ø 20mm D2 ø 17,3mm D3 ø 15,7mm

ARC

04 series



fig. Part No. description

1	103162	burner cap B ø 61,5 mm mounting ø 55 mm 2,5 kW
2	103163	burner head B 2,5kW for burner cap ø 55mm
3	103164	venturi L 49mm total length 56mm ED ø 21mm



fig. Part No. description

4	103166	burner cap C ø 92 mm mounting ø 85 mm 3,5 kW
5	103167	burner head C 3,5kW for burner cap ø 92mm
6	103168	venturi L 52mm total length 60mm ED ø 21mm



fig. Part No. description

7	103170	burner cap D ø 121 mm mounting ø 113 mm 6 kW
8	103171	burner head D 6kW for burner cap ø 121mm
9	103172	venturi L 79mm total length 90mm D1 ø 26mm



fig. Part No. description

10	103165	nozzle holder gas connection M12x1mm tube ø 8mm
10	103169	nozzle holder gas connection M14x1mm tube ø 10mm

65 series



fig. Part No. description

1	104310	burner cap 3 kW ED ø 73 mm seat ø 67 mm
2	104311	burner head 3kW for burner cap ø 73mm seat ø 67mm
3	103213	burner cap 3 kW ED ø 73 mm seat ø 67 mm enamelled
4	103214	burner head 3kW for burner cap ø 73mm seat ø 67mm



fig. Part No. description

5	104313	burner pipe horizontal 3kW
6	104312	burner pipe vertical 3kW
7	104327	burner pipe 3kW L 93mm total length 108mm
8	104336	pilot burner bracket horizontal suitable for 3kW
9	104335	pilot burner bracket vertical suitable for 3kW



fig. Part No. description

10	104315	burner cap 4,5 kW ED ø 104 mm seat ø 98 mm
11	104316	burner head 4,5kW for burner cap ø 104mm
12	103215	burner cap 4,5 kW ED ø 104 mm seat ø 98 mm
13	103216	burner head 4,5kW for burner cap ø 104mm



fig.	Part No.	description
14	104318	burner pipe horizontal 4,5kW
15	104317	burner pipe vertical 4,5kW
16	104328	burner pipe 4,5kW L 93mm total length 108mm
17	104340	pilot burner bracket horizontal suitable for 4,5kW
18	104337	pilot burner bracket vertical suitable for 4,5kW

fig.	Part No.	description
19	104320	burner cap 7,5 kW ED ø 128 mm ID ø 70 mm
20	104321	burner head 7,5kW for burner cap ø 128mm
21	103217	burner cap 7,5 kW ED ø 128 mm ID ø 70 mm
22	103218	burner head 7,5kW for burner cap ø 128mm

fig.	Part No.	description
23	104323	burner pipe horizontal 7,5kW
24	104322	burner pipe vertical 7,5kW
25	104329	burner pipe 7,5kW L 93mm total length 108mm
26	104339	pilot burner bracket horizontal suitable for 7kW
27	104338	pilot burner bracket vertical suitable for 7kW

fig.	Part No.	description
28	104325	pan support W 310mm L 340mm
29	104326	nozzle holder

SABAF

1 series

fig.	Part No.	description
1	104286	burner cap 3 kW ø 90 mm
1	104288	burner cap 3,6 kW ø 120 mm
2	105089	burner ring 3kW for burner cap ø 90mm
2	105086	burner ring 3,6kW for burner cap ø 120mm
3	105090	burner head 3kW for burner cap ø 90mm
3	105087	burner head 3,6kW for burner cap ø 120mm
4	104289	burner lower part 3/3.6kW for burner cap ø 90/120mm

2 series - standard

fig.	Part No.	description
1	107697	burner cap 1 kW ø 50 mm matt finish
2	107373	burner cap 1,8 kW ø 75 mm matt finish
2	105993	burner cap 1,8 kW ø 75 mm bright finish
3	107374	burner cap 3 kW ø 100 mm H 3,5 mm matt finish
3	105054	burner cap 3 kW ø 100 mm H 3,5 mm bright finish
3	105122	burner cap 3 kW ø 100 mm H 6 mm matt finish

fig.	Part No.	description
4	107376	burner head 1kW for igniter ø 6mm for burner cap ø 50mm
5	104271	burner head 1,8kW for burner cap ø 75mm
6	105058	burner head 3kW for igniter ø 6mm for burner cap ø 100mm
6	105121	burner head 3kW for igniter ø 7,5mm for burner cap ø 100mm

fig.	Part No.	description
7	107375	burner lower part 1 kW for igniter ø 6 mm for thermocouple ø 6 mm without nozzle
8	107372	burner lower part 1,8 kW for igniter ø 6 mm for thermocouple ø 6 mm without nozzle
8	104272	burner lower part 1,8 kW for igniter ø 6 mm for thermocouple ø 6 mm with nozzle ø0.97mm
9	105059	burner lower part 3 kW for igniter ø 6 mm for thermocouple ø 6 mm without nozzle
9	105120	burner lower part 3 kW for igniter ø 7 mm for thermocouple ø 6 mm with nozzle ø1.15mm

2 series - flat skirt version

fig.	Part No.	description
1	105994	burner cap 1 kW ø 55 mm bright finish
2	105993	burner cap 1,8 kW ø 75 mm bright finish
3	105054	burner cap 3 kW ø 100 mm H 3,5 mm bright finish

fig.	Part No.	description
4	105996	burner head 1kW for burner cap ø 55mm
5	105995	burner head 1,8kW for burner cap ø 75mm
6	105992	burner head 3kW for burner cap ø 100mm




fig.	Part No.	description
7	107375	burner lower part 1 kW for igniter \varnothing 6 mm for thermocouple \varnothing 6 mm without nozzle
8	107372	burner lower part 1,8 kW for igniter \varnothing 6 mm for thermocouple \varnothing 6 mm without nozzle
8	104272	burner lower part 1,8 kW for igniter \varnothing 6 mm for thermocouple \varnothing 6 mm with nozzle \varnothing 0.97mm
9	105059	burner lower part 3 kW for igniter \varnothing 6 mm for thermocouple \varnothing 6 mm without nozzle
9	105120	burner lower part 3 kW for igniter \varnothing 7 mm for thermocouple \varnothing 6 mm with nozzle \varnothing 1.15mm

triple ring burner series - standard version




fig.	Part No.	description
1	107378	burner cap 3,6 kW \varnothing 61 mm H 6,5 mm mounting position inner matt finish
2	105064	burner cap 3,6 kW \varnothing 61 mm H 6,5 mm mounting position inner bright finish
3	105126	burner cap 3,6 kW \varnothing 61 mm H 9 mm mounting position inner matt finish




fig.	Part No.	description
4	105063	burner cap 3,6 kW \varnothing 131 mm H 4 mm mounting position outer bright finish
5	107377	burner cap 3,6 kW \varnothing 131 mm H 4 mm mounting position outer matt finish
6	105125	burner cap 3,6 kW \varnothing 131 mm H 7 mm mounting position outer



fig.	Part No.	description
7	105065	burner head 3,6kW for burner cap \varnothing 61/131mm
8	105124	burner head 3,6kW for burner cap \varnothing 61/131mm




fig.	Part No.	description
9	105066	burner lower part 3,6 kW for igniter \varnothing 6 mm for thermocouple \varnothing 6 mm without nozzle ID \varnothing 64 mm
10	105717	burner lower part 3,6 kW for igniter \varnothing 6 mm for thermocouple \varnothing 6 mm with nozzle \varnothing 1.35mm



fig.	Part No.	description
11	105922	burner lower part 3,6 kW for igniter \varnothing 6 mm for thermocouple \varnothing 6 mm with nozzle \varnothing 1.35mm
12	105123	burner lower part 3,6 kW for igniter \varnothing 7 mm for thermocouple \varnothing 6 mm with nozzle \varnothing 1.35mm




fig.	Part No.	description
13	104273	gasket for burner cap \varnothing 61/131mm

triple ring burner series - flat skirt version




fig.	Part No.	description
1	107378	burner cap 3,6 kW \varnothing 61 mm H 6,5 mm mounting position inner matt finish
2	105064	burner cap 3,6 kW \varnothing 61 mm H 6,5 mm mounting position inner bright finish
3	105126	burner cap 3,6 kW \varnothing 61 mm H 9 mm mounting position inner matt finish




fig.	Part No.	description
4	107377	burner cap 3,6 kW \varnothing 131 mm H 4 mm mounting position outer matt finish
5	105063	burner cap 3,6 kW \varnothing 131 mm H 4 mm mounting position outer bright finish
6	105125	burner cap 3,6 kW \varnothing 131 mm H 7 mm mounting position outer



fig.	Part No.	description
7	105991	burner head for burner cap \varnothing 131mm




fig.	Part No.	description
8	105066	burner lower part 3,6 kW for igniter \varnothing 6 mm for thermocouple \varnothing 6 mm without nozzle ID \varnothing 64 mm
9	105717	burner lower part 3,6 kW for igniter \varnothing 6 mm for thermocouple \varnothing 6 mm with nozzle \varnothing 1.35mm



fig.	Part No.	description
10	105922	burner lower part 3,6 kW for igniter ø 6 mm for thermocouple ø 6 mm with nozzle ø1.35mm
11	105123	burner lower part 3,6 kW for igniter ø 7 mm for thermocouple ø 6 mm with nozzle ø1.35mm

fig.	Part No.	description
12	104273	gasket for burner cap ø 61/131mm

DUAL triple ring burner series - flat skirt version

fig.	Part No.	description
1	105740	burner cap 4,5 kW ø 48 mm mounting position inner bright finish
2	105742	burner cap 4,5 kW ø 130 mm mounting position outer bright finish

fig.	Part No.	description
3	105741	burner head 4,5kW mounting position inner for burner cap ø 55mm
4	105743	burner head 4,5kW mounting position outer for burner cap ø 130mm

fig.	Part No.	description
5	105745	burner lower part 4,5 kW

FLAM GAS

SF series

fig.	Part No.	description
1	105746	burner cap ø 60 mm 4 kW
2	105747	burner head for burner cap ø 60mm 4kW
3	105748	burner lower part for burner cap ø 60 mm 4 kW

fig.	Part No.	description
4	105750	burner cap ø 80 mm 7 kW
5	105751	burner head for burner cap ø 80mm 7kW
6	105752	burner lower part for burner cap ø 80 mm 7 kW

fig.	Part No.	description
7	105753	burner cap ø 110 mm 10 kW
8	105754	burner head for burner cap ø 110mm 10kW
9	105755	burner lower part for burner cap ø 110 mm 10 kW

fig.	Part No.	description
10	105749	air mixer

FGP series

fig.	Part No.	description
1	104764	burner unit 4,5kW complete
2	104762	burner head for burner cap ø 83mm 4,5kW
3	104773	burner cap ø 83 mm 4,5 kW

fig.	Part No.	description
4	104763	burner lower part for burner cap ø 83 mm 4,5 kW
5	104776	air mixing tube L 43,4mm ø 14mm
6	104784	nozzle holder



producer-specific hob burners

ALPENINOX

700, 900 series



fig.	Part No.	description	Ref. No.
1	103051	burner cap ø 80 mm	300475
2	104082	burner head for burner cap ø 80mm	300474

reducers for pan supports



fig.	Part No.	description	Ref. No.
1	210001	reducer for pan support L 265mm W 265mm SS	301044

AMBACH

85/90 series



fig.	Part No.	description	Ref. No.
1	103040	burner cap C ø 90 mm	5018705710
2	104062	burner head C for burner cap ø 90mm	2016905411
3	104064	burner lower part C for burner cap ø 90 mm	2000605350



fig.	Part No.	description	Ref. No.
4	104381	burner cap D ø 125 mm	5018705711
5	104382	burner head D for burner cap ø 125mm	2016905412
4	103041	burner cap E ø 125 mm	5018705859
5	104063	burner head E for burner cap ø 125mm	2016905418
6	104065	burner lower part D/E for burner cap ø 125 mm	2000605351
7	104066	air mixing sleeve	3028604319

Compact Plus series



fig.	Part No.	description	Ref. No.
1	103042	burner cap C ø 70 mm	5018709571
2	104067	burner head C for burner cap ø 70mm	5016909391
1	103043	burner cap D ø 84 mm	5018709572
2	104068	burner head D for burner cap ø 84mm	5016909392
3	103063	venturi ø 26mm	5016908870
4	105264	O-ring Viton thickness 3,53mm ID ø 94,84mm Qty 1 pcs	5017308860

Ecoline, System 900 series



fig.	Part No.	description	Ref. No.
1	104383	burner cap C ø 75 mm	5018714245
2	104384	burner head C for burner cap ø 75mm	5016914265
3	104388	venturi C for burner cap ø 75mm	5016914238



fig.	Part No.	description	Ref. No.
4	104389	burner cap E ø 125 mm ID ø 46,5 mm	5018714247
5	104390	burner head E for burner cap ø 125mm	5016914267
6	104391	venturi E for burner cap ø 125mm	5016914240



fig.	Part No.	description	Ref. No.
7	104385	gasket for burner head	5017314079
8	104386	flange for burner head	5006314268
9	104387	burner lower part thread 1¼" curved C/E	5050120709



pan supports

1

fig.	Part No.	description	Ref. No.
1	210106	pan support W 325 mm L 395 mm H 40 mm SS for 850	5010110315

reducers for pan supports

1 2

fig.	Part No.	description	Ref. No.
1	210007	reducer for pan support L 205mm W 205mm	5010104372
2	210008	reducer for pan support L 205mm W 205mm	5010108996

AMBASSADE

650 (1) series

1 2 3 4 5

fig.	Part No.	description	Ref. No.
1	104713	burner cap suitable for burner 1.5kW	6528202
2	104714	burner head suitable for burner 1,5kW	5039141
1	104715	burner cap ø 65 mm suitable for burner 3kW	6528203
2	104716	burner head suitable for burner 3kW	5039142
1	104717	burner cap ø 78 mm suitable for burner 4kW	6517430
2	104718	burner head suitable for burner 4kW	5039143
1	104719	burner cap ø 100 mm suitable for burner 5kW	6528204
2	104720	burner head suitable for burner 5kW	5039144
3	104721	air mixer small	5014741
3	104722	air mixer large	6516862
4	104723	air mixing sleeve small	6550821
5	104724	nozzle holder	6530915

650 (2) series

1 2

fig.	Part No.	description	Ref. No.
1	104461	burner cap ø 55 mm suitable for burner 1.5kW	65330005
2	104462	burner head ø 45mm suitable for burner 1,5kW	65640003
1	104463	burner cap ø 72 mm suitable for burner 3kW	65330006
2	104464	burner head ø 63mm suitable for burner 3kW	65640004
1	104465	burner cap ø 90 mm suitable for burner 4kW	65330007
2	104466	burner head ø 81mm suitable for burner 4kW	65640005
1	104467	burner cap ø 106,5 mm suitable for burner 5kW	65330008
2	104468	burner head ø 98mm suitable for burner 5kW	65640006

ANGELO PO

Alpha (1), Delta (2), Gamma series

1 2 3

fig.	Part No.	description	Ref. No.
1	104792	burner cap ø 110 mm	34A2040
2	104756	burner head for burner cap ø 110mm new edition	34A2032
3	104793	venturi ø 12mm	34A2010

4 5 6

fig.	Part No.	description	Ref. No.
4	104790	burner cap ø 130 mm 7,5 kW	34A2060
5	104794	burner head for burner cap ø 130mm new edition	34A2052
6	104005	venturi ø 14,5mm	34A2000

7 8 9

fig.	Part No.	description	Ref. No.
7	532541	O-ring silicone thickness 1,78mm ID ø 47,35mm	3152040
8	104059	burner lower part for burner cap ø 80/110mm	34A2071
9	104006	nozzle holder	34A2020

Serie Alpha (2), Delta (3), Omega (2)

1 2 3

fig.	Part No.	description	Ref. No.
1	104298	burner cap ø 80 mm 4 kW	3057610
2	104297	burner head for burner cap ø 80mm 4kW	3057600
3	108141	venturi for burner cap ø 80mm	6020730

4 5 6

fig.	Part No.	description	Ref. No.
4	104740	burner cap ø 110 mm 7 kW	3019390
5	104739	burner head for burner cap ø 110mm 7kW	3019380
6	108142	venturi for burner cap ø 110mm	6013761



fig.	Part No.	description	Ref. No.
7	104081	burner cap ø 130 mm 10 kW	3019370
8	104097	burner head for burner cap ø 130mm 10kW	3019360
9	104007	burner lower part for burner cap ø 130 mm	6014831



fig.	Part No.	description	Ref. No.
10	104059	burner lower part for burner cap ø 80/110mm	34A2071
11	104058	venturi ø 11mm	3057620
11	104005	venturi ø 14,5mm	34A2000
12	532541	O-ring silicone thickness 1,78mm ID ø 47,35mm	3152040
13	104006	nozzle holder	34A2020

Combi, Junior (1), Major series



fig.	Part No.	description	Ref. No.
1	103012	burner cap ø 90 mm	34A0040
1	103014	burner cap ø 110 mm	34A0050
2	103013	burner cap ø 90 mm	34A1123
3	103015	burner cap ø 110 mm	34A1133

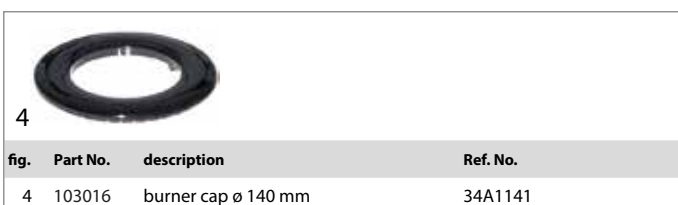


fig.	Part No.	description	Ref. No.
4	103016	burner cap ø 140 mm	34A1141

Serie Delta, Junior (2), Omega, Senior



fig.	Part No.	description	Ref. No.
1	103013	burner cap ø 90 mm	34A1123
2	104020	burner head for burner cap ø 90mm	34A1380



fig.	Part No.	description	Ref. No.
3	103015	burner cap ø 110 mm	34A1133
4	104021	burner head for burner cap ø 110mm	34A1391



fig.	Part No.	description	Ref. No.
5	103016	burner cap ø 140 mm	34A1141
6	104022	burner head ø 139,5mm seat ø 122,8mm	34A1401

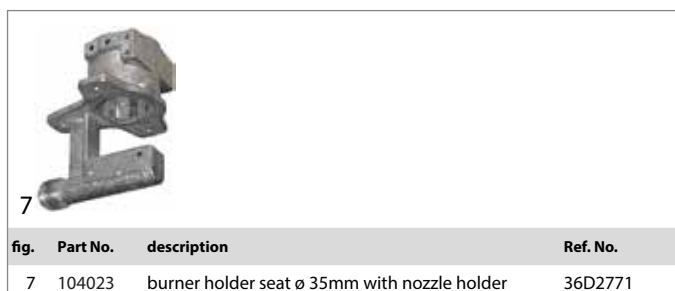


fig.	Part No.	description	Ref. No.
7	104023	burner holder seat ø 35mm with nozzle holder	36D2771

solid tops



fig.	Part No.	description	Ref. No.
1	105333	round burner ø 260mm for solid top	34A0120

pan supports

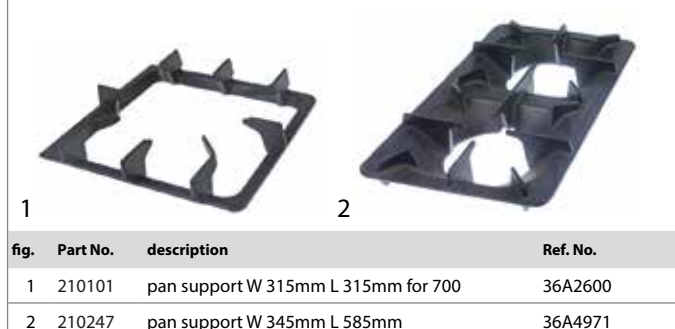


fig.	Part No.	description	Ref. No.
1	210101	pan support W 315mm L 315mm for 700	36A2600
2	210247	pan support W 345mm L 585mm	36A4971




fig.	Part No.	description	Ref. No.
3	210261	pan support W 365mm L 395mm H 75mm	36A2002
4	210179	pan support W 370mm L 370mm	36A2610

reducers for pan supports

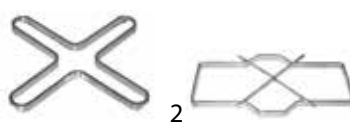


fig.	Part No.	description	Ref. No.
1	210005	reducer for pan support L 205mm W 205mm	3012090
2	210006	reducer for pan support L 385mm W 190mm	36A5450

ASCOBLOC

Ascoline 700, 850 series



fig.	Part No.	description	Ref. No.
1	104501	burner cap C/2.3mm ø 85 mm	9146383
2	104500	burner head C for burner cap ø 85mm	9146387
3	104544	burner lower part C for burner cap ø 85 mm	10/1349



fig.	Part No.	description	Ref. No.
4	104541	burner cap D ø 94 mm 5 kW with central hole	—
5	104505	burner head D for burner cap ø 95mm	9146388
6	104545	burner lower part D for burner cap ø 100 mm	10/1350



fig.	Part No.	description	Ref. No.
7	104542	burner cap E ø 114 mm mounting ø 105 mm ID ø 45 mm	—
8	104507	burner head E for burner cap ø 115mm	10/1377
9	104712	burner lower part E complete without mixing pipe	10/1379




fig.	Part No.	description	Ref. No.
10	104520	air mixing tube C ø 16mm	—
10	104521	air mixing tube D ø 18mm	—
10	104543	air mixing tube E	—
11	104511	gasket ø 72mm ID ø 45mm H 1,2mm perforation ø 5mm	9146393

BARON

600 series



fig.	Part No.	description	Ref. No.
1	105666	burner cap ø 104 mm	BN41822410340
2	105667	burner head for burner cap ø 104mm	BN41822410350
3	102752	venturi	BN41822410360

700, 900 (new) series



fig.	Part No.	description	Ref. No.
1	105668	burner cap 3,5 kW ø 84 mm	BN822410071
2	107695	burner head 3,5kW for burner cap ø 84mm	BN822410650
3	105670	venturi 3,5kW for burner cap ø 84mm	BN822410012



fig.	Part No.	description	Ref. No.
4	105671	burner cap 5,7 kW ø 102 mm	BN822410081
5	107188	burner head 5,7kW ø 141mm for burner cap ø 102mm	BN822410660
6	105673	venturi 5,7kW for burner cap ø 102mm	BN822410022



fig.	Part No.	description	Ref. No.
7	105674	burner cap 7 kW ø 125 mm with central hole	BN822410091
8	107696	burner head 7/10kW for burner cap ø 125mm	BN822410670
9	105676	venturi 7/10kW for burner cap ø 125mm	BN822410032



fig.	Part No.	description	Ref. No.
10	105677	air mixing sleeve L 40mm ID \varnothing 40mm ED \varnothing 42mm	BN2519002
11	102753	nozzle holder brass	BN822160022
12	105803	screw connection M16x1,5 L 34mm ID \varnothing 9/10,2mm	BN41822160031

700, 900, Giano series



fig.	Part No.	description	Ref. No.
1	105668	burner cap 3,5 kW \varnothing 84 mm	BN822410071
2	105669	burner head 3,5kW for burner cap \varnothing 84mm	BN822410041
3	105670	venturi 3,5kW for burner cap \varnothing 84mm	BN822410012



fig.	Part No.	description	Ref. No.
4	105671	burner cap 5,7 kW \varnothing 102 mm	BN822410081
5	105672	burner head 5,7kW for burner cap \varnothing 102mm	BN822410051
6	105673	venturi 5,7kW for burner cap \varnothing 102mm	BN822410022



fig.	Part No.	description	Ref. No.
7	105674	burner cap 7 kW \varnothing 125 mm with central hole	BN822410091
8	105675	burner head 7kW for burner cap \varnothing 125mm	BN822410061
9	105676	venturi 7/10kW for burner cap \varnothing 125mm	BN822410032



fig.	Part No.	description	Ref. No.
10	105677	air mixing sleeve L 40mm ID \varnothing 40mm ED \varnothing 42mm	BN2519002
11	102753	nozzle holder brass	BN822160022
12	105803	screw connection M16x1,5 L 34mm ID \varnothing 9/10,2mm	BN41822160031

solid tops



fig.	Part No.	description	Ref. No.
1	105678	burner ring for solid top	41822160041
2	105679	round burner \varnothing 190mm for solid top	41826390030



fig.	Part No.	description	Ref. No.
1	210212	pan support W 272mm L 395mm H 65mm	BN41822410390
1	210213	pan support W 345mm L 345mm	BN822410400
2	210051	pan support W 580mm L 390mm H 70mm SS series 700	BN41826330160

BARTSCHER

70. 90 (TopLine) series



fig.	Part No.	description	Ref. No.
1	105281	burner cap C \varnothing 80 mm 3,5 kW with central hole	2510352
2	105280	burner head C for burner cap \varnothing 80mm 3,5kW	2510351
3	104452	venturi C for burner cap \varnothing 80mm 3,5kW	—



fig.	Part No.	description	Ref. No.
4	105284	burner cap D \varnothing 105 mm 5,6 kW with central hole	2510355
5	105283	burner head D for burner cap \varnothing 105mm 5,6kW	2510354
6	105285	venturi D for burner cap \varnothing 105mm 5,6kW	2510353



fig.	Part No.	description	Ref. No.
7	105287	burner cap E ø 125 mm 7 kW with central hole	2510341
8	105286	burner head E for burner cap ø 125mm 7kW	2510357
9	105288	venturi E for burner cap ø 125mm 7kW	2510340

fig.	Part No.	description	Ref. No.
10	105289	air mixing sleeve L 50mm ED ø 45mm ID ø 42mm	2519002
11	105290	nozzle holder nozzle mounting M11x1	021647

70N series

fig.	Part No.	description	Ref. No.
1	105292	burner cap ø 70 mm 3,5 kW	2510601
2	105291	burner head for burner cap ø 70mm 3,5kW	—
3	105293	venturi	2510602
4	105294	burner holder with nozzle holder	2510603
5	104056	air mixing sleeve	2510140

90 (old) series

fig.	Part No.	description	Ref. No.
1	103030	burner cap C ø 85 mm 3,5 kW	2510190
2	104045	burner head C for burner cap ø 85mm 5,5kW	2510189
3	104048	venturi C for burner cap ø 85mm 3,5kW	2510195

fig.	Part No.	description	Ref. No.
4	103031	burner cap D ø 115 mm 5,5 kW	2510193
5	104046	burner head D for burner cap ø 115mm 5,5kW	2510192
6	104049	venturi D for burner cap ø 115mm 5,5kW	2510201

fig.	Part No.	description	Ref. No.
7	103032	burner cap E ø 125 mm 7 kW with central hole	—
8	104047	burner head E for burner cap ø 125mm 7kW	2510194
9	104050	venturi E for burner cap ø 125mm 7kW	2510202

fig.	Part No.	description	Ref. No.
10	104051	air mixing sleeve	2510197

Snack series

fig.	Part No.	description	Ref. No.
1	103066	burner cap ø 80 mm	A042100
2	103065	burner ring for burner cap ø 80mm	A041900
3	104100	burner head for burner cap ø 80mm	A041700

fig.	Part No.	description	Ref. No.
4	103068	burner cap ø 100 mm	A042200
5	103067	burner ring for burner cap ø 100mm	A042000
6	104102	burner head for burner cap ø 100mm	A041800

fig.	Part No.	description	Ref. No.
7	106380	burner holder for burner cap ø 80mm	—
8	104247	air mixing sleeve for burner cap ø 100mm L 23mm	—
7	104246	burner holder for burner cap ø 100mm	—
8	106379	air mixing tube for burner cap ø 80mm L 23mm	—



BERTO'S

700 Macros, 900 Maxima (1) series



fig.	Part No.	description	Ref. No.
1	105064	burner cap 3,6 kW ø 61 mm H 6,5 mm mounting position inner bright finish	—
2	105063	burner cap 3,6 kW ø 131 mm H 4 mm mounting position outer bright finish	—
3	105065	burner head 3,6kW for burner cap ø 61/131mm	—
4	105717	burner lower part 3,6 kW for igniter ø 6 mm for thermocouple ø 6 mm with nozzle ø1.35mm	35280100



fig.	Part No.	description	Ref. No.
5	104286	burner cap 3 kW ø 90 mm	31280400
6	105089	burner ring 3kW for burner cap ø 90mm	31280300
7	105090	burner head 3kW for burner cap ø 90mm	31280200
5	104288	burner cap 3,6 kW ø 120 mm	31281300
6	105086	burner ring 3,6kW for burner cap ø 120mm	31280600
7	105087	burner head 3,6kW for burner cap ø 120mm	31280500
8	104289	burner lower part 3/3.6kW for burner cap ø 90/120mm	31280100

700 Macros, 900 Maxima (2) series



fig.	Part No.	description	Ref. No.
1	105095	burner cap ø 80 mm 3,5 kW	31954400
2	105096	burner head for burner cap ø 80mm 3,5kW	31807200
3	105094	burner holder for burner cap ø 80/110mm 3,5/6kW	31913600



fig.	Part No.	description	Ref. No.
4	105092	burner cap ø 110 mm 6 kW with central hole	31954300
5	105093	burner head for burner cap ø 110mm 6kW	31807000
6	106918	burner holder D ø 30mm for burner cap ø 110mm	31912400



fig.	Part No.	description	Ref. No.
7	105726	burner cap ø 130 mm 9 kW with central hole	35954300
8	105725	burner head for burner cap ø 130mm 9kW	35807000
9	105716	burner holder for burner cap ø 130mm 9kW	35913600



fig.	Part No.	description	Ref. No.
10	106934	air mixing sleeve H 40mm ID ø 42mm	31834100
11	105097	nozzle holder	32327600

Modulare Systeme (1) series



fig.	Part No.	description	Ref. No.
1	103066	burner cap ø 80 mm	22294100
2	103065	burner ring for burner cap ø 80mm	22284800
3	104100	burner head for burner cap ø 80mm	22282700



fig.	Part No.	description	Ref. No.
4	103068	burner cap ø 100 mm	22294500
5	103067	burner ring for burner cap ø 100mm	22285300
6	104102	burner head for burner cap ø 100mm	22283200



fig.	Part No.	description	Ref. No.
7	106380	burner holder for burner cap ø 80mm with nozzle holder without mixing sleeve	—
8	106379	air mixing tube for burner cap ø 80mm L 23mm D1 ø 20mm D2 ø 15,6mm D3 ø 14mm	—
7	104246	burner holder for burner cap ø 100mm with nozzle holder without mixing sleeve	—
8	104247	air mixing sleeve for burner cap ø 100mm L 23mm D1 ø 20mm D2 ø 17,3mm D3 ø 15,7mm	—



Modulare Systeme (2) series



fig.	Part No.	description	Ref. No.
1	103069	burner cap ø 80 mm 4,3 kW with central hole	22293700
2	104104	burner head for burner cap ø 80mm 3,5kW	22280300
3	104105	burner lower part for burner cap ø 80 mm 3,5 kW	22993300



fig.	Part No.	description	Ref. No.
4	103070	burner cap ø 95 mm 6,4 kW with central hole	22293900
5	104106	burner head for burner cap ø 100mm 5,5kW for igniter	22280400
6	104107	burner lower part for burner cap ø 100 mm 6,4 kW	22993400



fig.	Part No.	description	Ref. No.
7	104108	nozzle holder	22913400

S900 series



fig.	Part No.	description	Ref. No.
1	105826	burner cap C ø 82 mm 3,5 kW	31954800
2	106827	burner head C for burner cap ø 82mm 3,5kW	31808200
3	105094	burner holder for burner cap ø 80/110mm 3,5/6kW	31913600



fig.	Part No.	description	Ref. No.
4	106933	burner cap ø 110 mm 7 kW	31954700
5	106917	burner head D ø 140mm for burner cap ø 110mm 7kW	31807100
6	106918	burner holder D ø 30mm for burner cap ø 110mm	31912400



fig.	Part No.	description	Ref. No.
7	106713	burner cap E ø 140 mm 12 kW	35954200
8	106714	burner head E ø 33mm 12kW	35806800
9	107691	burner holder E ø 33mm for burner cap ø 140mm	35912600

pan supports



fig.	Part No.	description	Ref. No.
1	210252	pan support W 365mm L 580mm	31856200
2	210215	pan support W 390mm L 390mm	35856500

BONNET

universal



fig.	Part No.	description	Ref. No.
1	108026	burner cap ø 100 mm mounting ø 84 mm	7505097
2	108119	burner head for burner cap ø 100mm	322389



fig.	Part No.	description	Ref. No.
3	108027	burner cap ø 130 mm	7505098
4	108120	burner head for burner cap ø 130mm	322390



fig.	Part No.	description	Ref. No.
5	108136	venturi L 110mm ø 21,5mm	368150
6	108140	air mixing sleeve	1256950



miscellaneous



fig.	Part No.	description	Ref. No.
1	108148	burner cap ø 85 mm mounting ø 81 mm	141951
2	108132	burner head for burner cap ø 85mm brass	381210
3	108009	burner cap ø 85 mm mounting ø 81 mm	130624
4	108093	burner head for burner cap ø 85mm black	130626



fig.	Part No.	description	Ref. No.
5	108007	burner cap ø 110 mm mounting ø 106 mm	130625
6	108094	burner head for burner cap ø 110mm brass	381212
7	108134	burner cap ø 110 mm with central hole	165013
8	108095	burner head for burner cap ø 110mm black	130627



fig.	Part No.	description	Ref. No.
9	104635	burner holder for burner cap ø 85mm	381220
10	104636	burner holder for burner cap ø 110mm	381221
11	108135	burner pipe	140823

CAPIC

851 series



fig.	Part No.	description	Ref. No.
1	107067	burner type 851 ø 120mm L 120mm complete	—
1	107068	burner type 851 ø 120mm L 175mm complete	G200520



fig.	Part No.	description	Ref. No.
2	108017	burner head ø 120mm seat ø 39mm	G204035
3	108016	burner ring ø 115mm	G204037
4	108052	nozzle holder size 4/5 thread M26x1	—
5	108064	air mixing tube size 4/5	—

854 series



fig.	Part No.	description	Ref. No.
1	107107	burner type 854 ø 80 mm L 120 mm complete	—
1	107004	burner type 854 ø 80mm L 175mm complete	—
1	107005	burner type 854 ø 80mm L 250mm complete	—



fig.	Part No.	description	Ref. No.
2	108004	burner cap ø 78 mm mounting ø 72 mm	—
3	108003	burner head for burner cap ø 78mm ED ø 83mm	G204006
4	108055	burner lower part size 4/5 thread M26x1.75	—
5	108088	nozzle holder	—
6	108064	air mixing tube size 4/5	—

860 series



fig.	Part No.	description	Ref. No.
1	107008	burner type 860 ø 80mm L 120mm complete	G200510
1	107042	burner type 860 ø 80mm L 175mm complete	—



fig.	Part No.	description	Ref. No.
2	108006	burner head ø 80mm mounting ø 32mm	G204030
3	108005	burner ring ø 72mm	G204032
4	108052	nozzle holder size 4/5 thread M26x1	—
5	108064	air mixing tube size 4/5	—

861 series



fig.	Part No.	description	Ref. No.
1	107009	burner type 861 ø 80 mm L 185 mm complete	—
1	107010	burner type 861 ø 80mm L 245mm complete	—




fig.	Part No.	description	Ref. No.
2	108010	burner cap ø 78 mm	G204060
3	108003	burner head for burner cap ø 78mm ED ø 83mm	G204006
4	108056	burner lower part size 6	G205010
5	108054	nozzle holder size 6 thread M34x1,5	—
6	108065	air mixing tube size 6	—

862 series




fig.	Part No.	description	Ref. No.
1	107119	burner type 862 ø 100 mm L 185 mm complete	G205020 G205515
1	107120	burner type 862 ø 100mm L 245mm complete	—



fig.	Part No.	description	Ref. No.
2	108078	burner cap ø 98 mm mounting ø 97 mm	G204012 G204027
3	108014	burner head ø 100mm seat ø 97mm	G204011
4	108056	burner lower part size 6	G205010
5	108054	nozzle holder size 6 thread M34x1,5	—
6	108065	air mixing tube size 6	—

951 series



fig.	Part No.	description	Ref. No.
1	107019	burner type 951 ø 120mm L 215mm complete	G201025
1	107194	burner type 951 ø 120mm L 245mm complete	G201035
1	107020	burner type 951 ø 120mm L 275mm complete	—
2	108018	burner cap ø 120 mm with central hole	G204055
3	108054	nozzle holder size 6 thread M34x1,5	—
4	108065	air mixing tube size 6	—

956 series




fig.	Part No.	description	Ref. No.
1	107023	burner type 956 ø 120mm complete	G201010



fig.	Part No.	description	Ref. No.
2	108017	burner head ø 120mm seat ø 39mm	G204035
3	108016	burner ring ø 115mm	G204037
4	108054	nozzle holder size 6 thread M34x1,5	—
5	108065	air mixing tube size 6	—

1027 series



fig.	Part No.	description	Ref. No.
1	107013	burner type 1027 ø 90mm L 125mm complete	G201018
1	107014	burner type 1027 ø 90mm L 180mm complete	—



fig.	Part No.	description	Ref. No.
2	108013	burner cap ø 90 mm	—
3	108012	burner ring	—
4	108052	nozzle holder size 4/5 thread M26x1	—
5	108064	air mixing tube size 4/5	—

1028 series



fig.	Part No.	description	Ref. No.
1	107022	burner type ø 120mm L 225mm complete	—
2	108020	burner cap ø 120 mm with central hole	—

1029 series



fig.	Part No.	description	Ref. No.
1	107087	burner type ø 140mm L 235mm complete	—
1	107088	burner type ø 140mm L 295mm complete	—
2	108086	burner cap ø 140 mm with central hole	—
3	108085	nozzle holder thread M34x1,5	—
4	108065	air mixing tube size 6	—



1030 series



fig.	Part No.	description	Ref. No.
1	107090	burner type ø 200mm L 265mm complete	G201032

5000 series



fig.	Part No.	description	Ref. No.
1	108010	burner cap ø 78 mm	G204060
2	107324	burner head ø 119mm for burner cap ø 78mm	G204062

pan supports



fig.	Part No.	description	L (mm)	W (mm)	Ref. No.
1	210044	pan support L 300mm W 275mm cast iron	300	275	A251010

CASTA

universal



fig.	Part No.	description	Ref. No.
1	105423	round burner C ø 175mm 9,5kW	04/99900109
2	105424	venturi gas burner	04/99900309
3	105425	air mixing sleeve	68/50800001
4	105426	nozzle holder gas inlet M16x1,5	13/99901039

reducers for pan supports



fig.	Part No.	description	Ref. No.
1	210178	reducer for pan support ø 340mm ring ø 190mm foot length 75mm cast iron suitable for wok range	01/99900007

height extensions



fig.	Part No.	description	Ref. No.
1	210169	attachment ring ø 380mm H 75mm suitable for wok range	01/99900006
2	210170	pan support ø 370mm suitable for wok range	01/99900019

CHARVET

833 series



fig.	Part No.	description	Ref. No.
1	107011	burner type 833 ø 80 mm L 120 mm	00100A
1	107038	burner type 833 ø 80mm L 175mm	134A
2	108011	burner cap type 833 ø 78 mm	00133A
3	108052	nozzle holder size 4/5 thread M26x1	—
4	108064	air mixing tube size 4/5	—

852 series



fig.	Part No.	description	Ref. No.
1	107077	burner ø 140mm L 300mm complete	00108A
2	108021	burner ring ø 140mm	—
3	108077	burner cap ø 136 mm with central hole	—
4	108054	nozzle holder size 6 thread M34x1,5	—

869 series



fig.	Part No.	description	Ref. No.
1	107002	burner type 869 ø 80mm L 120mm complete series 869	00101A
1	107051	burner type 869 ø 80mm L 175mm complete	—
2	108031	burner cap ø 78 mm with central hole	00134A
3	108052	nozzle holder size 4/5 thread M26x1	—
4	108064	air mixing tube size 4/5	—



856 series




fig.	Part No.	description	Ref. No.
1	107015	burner type 856 ø 100mm L 185mm complete	—
1	107016	burner type 856 ø 100mm L 245mm complete	—




fig.	Part No.	description	Ref. No.
2	108015	burner cap ø 100 mm mounting ø 97 mm	00139A
3	108014	burner head ø 100mm seat ø 97mm	—
4	108056	burner lower part size 6	—
5	108054	nozzle holder size 6 thread M34x1,5	—
6	108065	air mixing tube size 6	—

1020 series



fig.	Part No.	description	Ref. No.
1	107055	burner type 1020 ø 80mm L 120mm complete	—
2	108031	burner cap ø 78 mm with central hole	00134A
3	108052	nozzle holder size 4/5 thread M26x1	—
4	108064	air mixing tube size 4/5	—

1021 series




fig.	Part No.	description	Ref. No.
1	107024	burner type ø 120mm L 225mm complete	00104A
1	107097	burner type ø 120mm L 285mm complete	—



fig.	Part No.	description	Ref. No.
2	108008	burner cap ø 120 mm with central hole	03658A
3	108019	burner cap ø 120 mm with central hole	00137A
4	108054	nozzle holder size 6 thread M34x1,5	—
5	108065	air mixing tube size 6	—

1030 series



fig.	Part No.	description	Ref. No.
1	107090	burner type ø 200mm L 265mm complete	—

COMETTO

833 series



fig.	Part No.	description	Ref. No.
1	107011	burner type 833 ø 80 mm L 120 mm	—
1	107038	burner type 833 ø 80mm L 175mm	—
1	107039	burner type 833 ø 80mm L 250mm	—
2	108011	burner cap type 833 ø 78 mm	—
3	108052	nozzle holder size 4/5 thread M26x1	—
4	108064	air mixing tube size 4/5	—

854 series



fig.	Part No.	description	Ref. No.
1	107107	burner type 854 ø 80 mm L 120 mm complete	—
1	107004	burner type 854 ø 80mm L 175mm complete	—
1	107005	burner type 854 ø 80mm L 250mm complete	—



fig.	Part No.	description	Ref. No.
2	108004	burner cap ø 78 mm mounting ø 72 mm	40502
3	108003	burner head for burner cap ø 78mm ED ø 83mm	—
4	108055	burner lower part size 4/5 thread M26x1.75	—
5	108088	nozzle holder	—
6	108064	air mixing tube size 4/5	—



861 series



fig.	Part No.	description	Ref. No.
1	107009	burner type 861 ø 80 mm L 185 mm complete	—
1	107010	burner type 861 ø 80mm L 245mm complete	—



fig.	Part No.	description	Ref. No.
2	108010	burner cap ø 78 mm	—
3	108003	burner head for burner cap ø 78mm ED ø 83mm	—
4	108056	burner lower part size 6	—
5	108054	nozzle holder size 6 thread M34x1,5	—
6	108065	air mixing tube size 6	—

862 series



fig.	Part No.	description	Ref. No.
1	107119	burner type 862 ø 100 mm L 185 mm complete	—
1	107120	burner type 862 ø 100mm L 245mm complete	—



fig.	Part No.	description	Ref. No.
2	108078	burner cap ø 98 mm mounting ø 97 mm	—
3	108014	burner head ø 100mm seat ø 97mm	—
4	108056	burner lower part size 6	—
5	108054	nozzle holder size 6 thread M34x1,5	—
6	108065	air mixing tube size 6	—

COOKING SYSTEMS

Snack series



fig.	Part No.	description	Ref. No.
1	104446	burner cap ø 121 mm ID ø 58 mm	14070530

Cocinas 2008 series



fig.	Part No.	description	Ref. No.
1	104347	burner cap ø 104,5 mm H 20 mm	C5815109
2	104348	burner head ø 137mm for burner cap ø 104,5mm H 52mm	C5815119
3	104364	burner lower part L 82 mm H 67 mm seat ø 33/44mm connection 33 mm	C5815129



fig.	Part No.	description	Ref. No.
4	104349	burner cap E ø 129 mm 9 kW H 25 mm	C5815039
5	104363	burner head E ø 152mm for burner cap ø 120mm 9kW H 45mm	C5815049
6	104373	burner head wok burner ø 151 mm 12kW H 48mm	C5815469



fig.	Part No.	description	Ref. No.
7	104365	burner lower part E L 79 mm H 67 mm seat ø 34.5/43.5mm connection 34 mm	C5815059
8	104126	burner lower part for wok range ø 34.5/43.5mm L 80 mm total length 96 mm H 67 mm seat ø 34 mm	C5815699
9	105404	gasket D1 ø 61,5mm D2 ø 49mm thickness 1mm hole ø 6mm hole distance 52mm FIBER	C5815089



fig.	Part No.	description	Ref. No.
10	104328	burner pipe 4,5kW L 93mm total length 108mm air mixer ø 18,2mm ED ø 32,9mm ID ø 22,7mm	C5815139
11	104368	burner pipe L 115mm total length 130mm ID ø 27,7mm ED ø 33,8mm	C5815069
12	104369	nozzle holder L 41 mm nozzle mounting M10x1 thread M14x1 connection 10mm	C5815159

stockpot stoves



fig.	Part No.	description	Ref. No.
1	104367	burner ø 398mm H 100mm	352600
2	104366	burner ø 260mm H 100mm double seat ø 37mm	367400



3		4	
fig.	Part No.	description	Ref. No.
3	104345	venturi ϕ 36/50mm L 133mm thread M16x1,5	3675
4	104346	air mixing sleeve ϕ 54mm L 39mm	493084P

DELRUE

833 series

1		2		3		4	
fig.	Part No.	description	Ref. No.				
1	107011	burner type 833 ϕ 80 mm L 120 mm	—				
1	107038	burner type 833 ϕ 80mm L 175mm	—				
1	107039	burner type 833 ϕ 80mm L 250mm	—				
2	108011	burner cap type 833 ϕ 78 mm	—				
3	108052	nozzle holder size 4/5 thread M26x1	—				
4	108064	air mixing tube size 4/5	—				

869 series

1		2		3		4	
fig.	Part No.	description	Ref. No.				
1	107002	burner type 869 ϕ 80mm L 120mm complete series 869	—				
1	107051	burner type 869 ϕ 80mm L 175mm complete	—				
2	108031	burner cap ϕ 78 mm with central hole	—				
3	108052	nozzle holder size 4/5 thread M26x1	—				
4	108064	air mixing tube size 4/5	—				

851 series

1			
fig.	Part No.	description	Ref. No.
1	107067	burner type 851 ϕ 120mm L 120mm complete	—
1	107068	burner type 851 ϕ 120mm L 175mm complete	—

2		3		4		5	
fig.	Part No.	description	Ref. No.				
2	108017	burner head ϕ 120mm seat ϕ 39mm	—				
3	108016	burner ring ϕ 115mm	—				
4	108052	nozzle holder size 4/5 thread M26x1	—				
5	108064	air mixing tube size 4/5	—				

EKU

900 series

1		2		3	
fig.	Part No.	description	Ref. No.		
1	103020	burner cap ϕ 80 mm	05-0474		
2	104030	burner head for burner cap ϕ 80mm	05-0470		
3	104127	burner lower part ϕ 80 mm	—		

4		5		6	
fig.	Part No.	description	Ref. No.		
4	103021	burner cap ϕ 110 mm	05-0476		
5	104031	burner head for burner cap ϕ 110mm	05-0472		
6	104034	burner lower part for burner cap ϕ 110 mm	05-0469		

7		8		9	
fig.	Part No.	description	Ref. No.		
7	103022	burner cap ϕ 120 mm with central hole	05-0481		
8	104032	burner head for burner cap ϕ 120mm	05-0479		
9	103150	burner lower part for burner cap ϕ 110/120mm	05-1240		

10		11		12	
fig.	Part No.	description	Ref. No.		
10	105051	air mixing sleeve L 45mm ED ϕ 45mm ID ϕ 42mm	05-0463		
11	103151	reducer suitable for burner head ϕ 110mm	05-1243		
12	105052	nozzle holder nozzle mounting M10x1	05-0403		



old (2) series



fig.	Part No.	description	Ref. No.
1	103094	burner cap ø 85 mm 3,5 kW	—
2	104110	burner head for burner cap ø 85mm 3,5kW	—
3	104114	burner lower part for burner cap ø 85 mm 3,5 kW	3-207



fig.	Part No.	description	Ref. No.
4	103095	burner cap ø 95 mm 7 kW	3-211A
5	104111	burner head for burner cap ø 95mm 7kW	3-212A
6	104115	burner lower part for burner cap ø 95 mm 7 kW	—



fig.	Part No.	description	Ref. No.
7	104112	gasket for burner cap ø 85mm silicone	3-244
7	104113	gasket for burner cap ø 95mm silicone	3-245
8	104109	air mixing sleeve suitable for burner 3,5kW	—
8	104118	air mixing sleeve for burner 7kW	—
9	104119	nozzle holder	3-231

Snack 2001 series



fig.	Part No.	description	Ref. No.
1	103066	burner cap ø 80 mm	1-W-057
2	103065	burner ring for burner cap ø 80mm	1-W-067
3	104100	burner head for burner cap ø 80mm	1-W-065



fig.	Part No.	description	Ref. No.
4	103068	burner cap ø 100 mm	1-W-059
5	103067	burner ring for burner cap ø 100mm	1-W-068
6	104102	burner head for burner cap ø 100mm	1-W-066



fig.	Part No.	description	Ref. No.
7	106380	burner holder for burner cap ø 80mm	—
7	104246	burner holder for burner cap ø 100mm	—
8	106379	air mixing tube for burner cap ø 80mm L 23mm	—
8	104247	air mixing sleeve for burner cap ø 100mm L 23mm	—

Snack 2001-96, 60, 701, 702, 703 series



fig.	Part No.	description	Ref. No.
1	103143	burner cap ø 85 mm 3,5 kW	3-208
2	103140	burner head seat ø 75mm for burner cap ø 85mm	3-209



fig.	Part No.	description	Ref. No.
3	103144	burner cap ø 95 mm 5,5 kW	3-211
4	103141	burner head ø 95mm suitable for burner 5,5kW	3-212



fig.	Part No.	description	Ref. No.
5	103145	burner cap ø 95 mm 7 kW with central hole	—
6	103142	burner head for burner cap ø 95mm 5,5kW	—



fig.	Part No.	description	Ref. No.
7	103146	burner lower part for burner cap ø 85 mm 3,5 kW	1-W-646
7	103147	burner lower part for burner cap ø 95 mm 5,5/7kW	3-210
8	103148	gasket L 47mm W 53mm suitable for burner 3,5kW	1-W-690
8	103149	gasket L 55mm W 62mm for burner 5,5/7kW	—

solid tops



fig.	Part No.	description	Ref. No.
1	105042	burner cap ø 175 mm with central hole	05-0486
2	105041	burner head ø 175mm for solid top suitable for 1000, BS series	05-0485



wok burners



fig.	Part No.	description	Ref. No.
1	104117	air mixing sleeve for wok range	06-107
2	103096	burner cap ø 120 mm 9,5 kW for wok range	06-106
3	104734	burner head for wok range	06-105

pan supports



fig.	Part No.	description	Ref. No.
1	210114	pan support ø 380mm suitable for wok range	—
2	210115	pan support ø 380mm suitable for wok range	—



fig.	Part No.	description	Ref. No.
3	210151	pan support W 295mm L 545mm gas range	1-W-645
4	210150	pan support W 340mm L 545mm	1-W-644

EMMEPI

Snack series



fig.	Part No.	description	Ref. No.
1	105122	burner cap 3 kW ø 100 mm H 6 mm matt finish	C10196
2	105121	burner head 3kW for igniter ø 7,5mm for burner cap ø 100mm	C10045
3	105120	burner lower part 3 kW for igniter ø 7 mm for thermocouple ø 6 mm with nozzle ø1.15mm	C10046



fig.	Part No.	description	Ref. No.
4	105126	burner cap 3,6 kW ø 61 mm H 9 mm mounting position inner matt finish	C10198
5	105125	burner cap 3,6 kW ø 131 mm H 7 mm mounting position outer	C10197
6	105124	burner head 3,6kW for burner cap ø 61/131mm	C10048
7	105123	burner lower part 3,6 kW for igniter ø 7 mm for thermocouple ø 6 mm with nozzle ø1.35mm	C10049

700 Daga series



fig.	Part No.	description	Ref. No.
1	105140	burner cap ø 70 mm 3 kW	C10284
2	105139	burner head for burner cap ø 70mm 3kW	C89438
3	105141	burner holder for burner cap ø 70mm 3kW	C10273



fig.	Part No.	description	Ref. No.
4	105137	burner cap ø 100 mm 5 kW	C10285
5	105136	burner head for burner cap ø 100mm 5kW	C89437
6	105138	burner holder for burner cap ø 100mm 5kW	C10274

700 Professional, 900 Classica series



fig.	Part No.	description	Ref. No.
1	105131	burner cap ø 70 mm 3,5 kW	C00456
2	105130	burner head for burner cap ø 70mm 3,5kW	C99636
3	105132	burner holder for burner cap ø 70mm 3,5kW	C00010
4	107539	air mixing tube L 58mm D1 ø 16mm D2 ø 19mm ID ø 14mm aluminium	C00108



fig.	Part No.	description	Ref. No.
5	105128	burner cap ø 100 mm 5,5 kW	C00457
6	105127	burner head for burner cap ø 100mm 5,5kW	C99637
7	105129	burner holder for burner cap ø 100mm 5,5kW	C00815
8	107540	air mixing tube L 58mm D1 ø 20mm D2 ø 24,5mm ID ø 17,6mm aluminium	C00109



fig.	Part No.	description	Ref. No.
9	105134	burner cap ø 120 mm 7,5 kW with central hole	C00458
10	105133	burner head for burner cap ø 120mm 7,5kW	C99638
11	105135	burner holder for burner cap ø 120mm 7,5kW	C00816
12	104649	air mixing tube L 83mm D1 ø 28mm D2 ø 32mm ID ø 24,5mm brass	C00110

ERRE2

50, 60, 62, 70, 90, 92, 110 (old series)



fig.	Part No.	description	Ref. No.
1	105078	burner cap C ø 60 mm	—
2	105077	burner ring C for burner cap ø 60mm	—
3	105081	burner cap D ø 80 mm	—
4	105080	burner ring D for burner cap ø 80mm	—

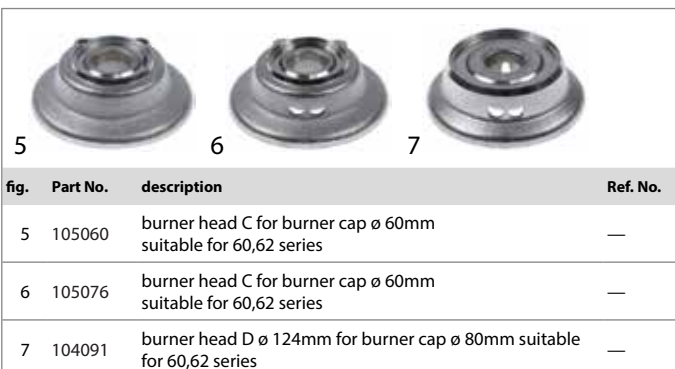


fig.	Part No.	description	Ref. No.
5	105060	burner head C for burner cap ø 60mm suitable for 60,62 series	—
6	105076	burner head C for burner cap ø 60mm suitable for 60,62 series	—
7	104091	burner head D ø 124mm for burner cap ø 80mm suitable for 60,62 series	—

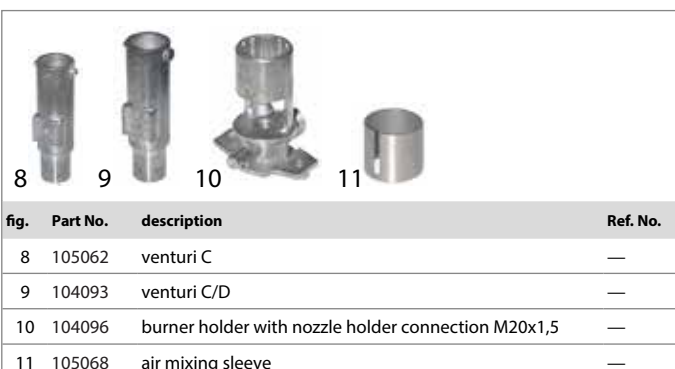


fig.	Part No.	description	Ref. No.
8	105062	venturi C	—
9	104093	venturi C/D	—
10	104096	burner holder with nozzle holder connection M20x1,5	—
11	105068	air mixing sleeve	—

500, 700new, 900, 920, 110 (new series)



fig.	Part No.	description	Ref. No.
1	105078	burner cap C ø 60 mm	—
2	105077	burner ring C for burner cap ø 60mm	—
3	105091	burner head C for burner cap ø 60mm	—



fig.	Part No.	description	Ref. No.
4	105081	burner cap D ø 80 mm	—
5	105080	burner ring D for burner cap ø 80mm	—
6	105098	burner head D for burner cap ø 80mm	—



fig.	Part No.	description	Ref. No.
7	105084	burner cap B ø 90 mm with central hole	—
8	105119	burner head B for burner cap ø 90mm	—



fig.	Part No.	description	Ref. No.
9	105088	burner cap A ø 110 mm with central hole	—
10	105099	burner head A for burner cap ø 110mm	—
11	105100	burner head A for burner cap ø 110mm	—

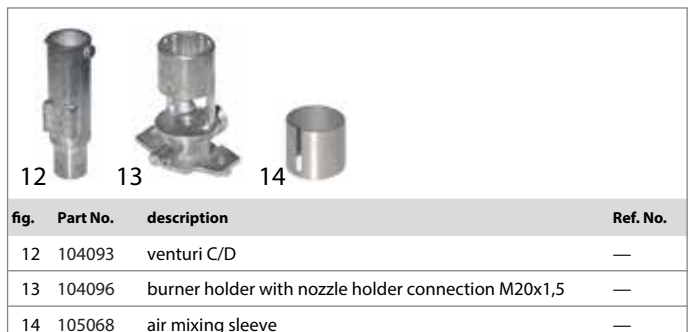


fig.	Part No.	description	Ref. No.
12	104093	venturi C/D	—
13	104096	burner holder with nozzle holder connection M20x1,5	—
14	105068	air mixing sleeve	—



700/900 (old series)

fig.	Part No.	description	Ref. No.
1	103060	burner cap C ø 70 mm	—
2	103061	burner cap D ø 100 mm	—
3	103062	burner cap E ø 135 mm	—

fig.	Part No.	description	Ref. No.
4	104091	burner head D ø 124mm for burner cap ø 80mm suitable for 50, 90, 92, 100 (old)	—
5	104093	venturi C/D	—
6	104096	burner holder with nozzle holder connection M20x1,5	—
7	105068	air mixing sleeve	—

solid tops series 60, 62

fig.	Part No.	description	Ref. No.
1	105078	burner cap C ø 60 mm	—
2	105077	burner ring C for burner cap ø 60mm	—
3	105060	burner head C for burner cap ø 60mm	—

fig.	Part No.	description	Ref. No.
4	103060	burner cap C ø 70 mm	—
5	105143	burner head C for burner cap ø 70mm	—

fig.	Part No.	description	Ref. No.
6	103061	burner cap D ø 100 mm	—
7	105146	burner head D for burner cap ø 100mm	—

fig.	Part No.	description	Ref. No.
8	105062	venturi C	—
9	104096	burner holder with nozzle holder connection M20x1,5	—
10	105068	air mixing sleeve	—

solid tops series 70, 90, 92, 110 (old), 700, 900, 920, 110 (new)

fig.	Part No.	description	Ref. No.
1	105364	round burner ø 190mm	—

fig.	Part No.	description	Ref. No.
2	105078	burner cap C ø 60 mm	—
3	105077	burner ring C for burner cap ø 60mm	—
4	105076	burner head C for burner cap ø 60m	—

fig.	Part No.	description	Ref. No.
5	103061	burner cap D ø 100 mm	—
6	105079	burner head D ø 100mm	—
7	105144	burner head for burner cap ø 100mm	—

fig.	Part No.	description	Ref. No.
8	104093	venturi C/D	—
9	104096	burner holder with nozzle holder connection M20x1,5	—
10	105068	air mixing sleeve	—
11	105147	nozzle holder L 61mm M10x1 gas inlet 1/2" gas outlet M14x1	—

reducers for pan supports

fig.	Part No.	description	Ref. No.
1	210001	reducer for pan support L 265mm W 265mm SS	—

EURAST

Snack series

fig.	Part No.	description	Ref. No.
1	104446	burner cap ø 121 mm ID ø 58 mm	14070530



Cocinas 2008 series



fig.	Part No.	description	Ref. No.
1	104347	burner cap ø 104,5 mm H 20 mm	C5815109
2	104348	burner head ø 137mm for burner cap ø 104,5mm H 52mm	C5815119
3	104364	burner lower part L 82 mm H 67 mm seat ø 33/44mm connection 33 mm	C5815129



4	104349	burner cap E ø 129 mm 9 kW H 25 mm	C5815039
5	104363	burner head E ø 152mm for burner cap ø 120mm 9kW H 45mm	C5815049
6	104373	burner head wok burner ø 151mm 12kW H 48mm	C5815469



fig.	Part No.	description	Ref. No.
7	104365	burner lower part E L 79 mm H 67 mm seat ø 34.5/43.5mm connection 34 mm	C5815059
8	104126	burner lower part for wok range ø 34.5/43.5mm L 80 mm total length 96 mm H 67 mm seat ø 34 mm	C5815699
9	105404	gasket D1 ø 61,5mm D2 ø 49mm thickness 1mm hole ø 6mm hole distance 52mm FIBER	C5815089



fig.	Part No.	description	Ref. No.
10	104328	burner pipe 4,5kW L 93mm total length 108mm air mixer ø 18,2mm ED ø 32,9mm ID ø 22,7mm	C5815139
11	104368	burner pipe L 115mm total length 130mm ID ø 27,7mm ED ø 33,8mm	C5815069
12	104369	nozzle holder L 41mm nozzle mounting M10x1 thread M14x1 connection 10mm	C5815159

stockpot stoves



fig.	Part No.	description	Ref. No.
1	104367	burner ø 398mm H 100mm	352600
2	104366	burner ø 260mm H 100mm double seat ø 37mm	367400



fig.	Part No.	description	Ref. No.
3	104345	venturi ø 36/50mm L 133mm thread M16x1,5	3675
4	104346	air mixing sleeve ø 54mm L 39mm	493084P

FAGOR

700, 900 series



fig.	Part No.	description	Ref. No.
1	109005	burner cap ø 100 mm 4 kW with central hole	12039162
2	109004	burner head ø 100mm 4,6kW	12009292
3	109001	venturi ø 11,5mm L 90mm	12009400



fig.	Part No.	description	Ref. No.
4	109002	burner cap ø 120 mm 9,3 kW with central hole	12009109
5	109007	burner head ø 120mm 7kW	12007684
6	109006	venturi ø 27,7mm L 90mm	12008429



fig.	Part No.	description	Ref. No.
7	109027	burner cap ø 130 mm 11,6 kW with central hole	12009367
8	109026	burner head ø 120mm for burner cap ø 130mm 12kW	12013457
9	109025	venturi ø 40mm L 160mm	12008611



fig.	Part No.	description	Ref. No.
10	109003	air mixing sleeve ø 40mm L 55mm	12008071
10	109024	air mixing sleeve ø 46mm L 55mm	—



900 (since 2006) series



fig.	Part No.	description	Ref. No.
1	109005	burner cap ø 100 mm 4 kW with central hole	12039162
2	109063	burner head ø 100mm 4,7kW 4kcal for burner cap ø 100mm L 280mm H 113mm	12009498
3	109001	venturi ø 11,5mm L 90mm	12009400



fig.	Part No.	description	Ref. No.
4	109002	burner cap ø 120 mm 9,3 kW with central hole	12009109
5	109106	burner head ø 118mm 9,3kW 8000kcal for burner cap ø 120mm L 280mm H 90mm	12009326
6	109006	venturi ø 27,7mm L 90mm	12008429



fig.	Part No.	description	Ref. No.
7	109027	burner cap ø 130 mm 11,6 kW with central hole	12009367
8	109102	burner head ø 120mm 11,6kW for burner cap ø 130mm L 280mm H 94mm	12008525
9	109025	venturi ø 40mm L 160mm	12008611



fig.	Part No.	description	Ref. No.
10	109062	air mixing sleeve L 57mm D1 ø 48mm D2 ø 50mm	12008073
11	109003	air mixing sleeve ø 40mm L 55mm	12008071

solid tops / stockpot stoves



fig.	Part No.	description	Ref. No.
1	109014	burner cap ø 120 mm with central hole	12009172
2	109015	burner head for burner cap ø 120mm	12007687
3	109016	venturi	12009160
4	109017	burner holder	12009164

pan supports



fig.	Part No.	description	Ref. No.
1	109705	pan support W 310mm L 345mm H 50mm suitable for FAGOR black, varnished	12016228
2	109069	pan support W 310mm L 348mm H 54mm suitable for FAGOR cast iron	12009419



fig.	Part No.	description	Ref. No.
3	109702	pan support W 310mm L 350mm suitable for FAGOR for burner cap ø 100mm	12016262
3	109701	pan support W 310mm L 350mm suitable for FAGOR for burner cap ø 120mm	12016263
4	109716	pan support W 345mm L 425mm	12007691

reducers for pan supports



fig.	Part No.	description	Ref. No.
1	109052	reducer for pan support ø 240mm	12016251

spillage trays



fig.	Part No.	description	Ref. No.
1	109703	spillage tray L 340 mm W 310 mm H 38 mm ø 115 mm for burner cap ø 100 mm	12014294
1	109704	spillage tray L 340 mm W 310 mm H 41 mm ø 130 mm for burner cap ø 120 mm	12014055
2	109706	spillage tray L 405 mm W 348 mm H 50 mm for burner cap ø 100 mm	12002032
2	109721	spillage tray L 405 mm W 348 mm H 50 mm for burner cap ø 120 mm	12002033



fig.	Part No.	description	Ref. No.
3	109710	spillage tray L 420 mm W 344 mm H 39 mm ø 115 mm for burner cap ø 100 mm	12038914
3	109711	spillage tray L 420 mm W 344 mm H 45 mm ø 140 mm for burner cap ø 120 mm	12038913



solid tops



fig.	Part No.	description	Ref. No.
1	109087	cast plate ø 260mm	12007681

simmering plates



fig.	Part No.	description	Ref. No.
1	109088	simmer plate L 343mm W 310mm H 32mm for gas range	12009018
2	109700	simmer plate L 345mm W 310mm H 40mm	12011961



fig.	Part No.	description	Ref. No.
3	109709	simmer plate L 420mm W 345mm H 25mm	12007699

FALCON

hob burners

G10 series



fig.	Part No.	description	Ref. No.
1	104653	burner ø 114mm total length 245mm H 112mm	537060040
2	104652	burner lower part for burner cap ø 114 mm total length 245 mm H 102 mm	537060120



fig.	Part No.	description	Ref. No.
3	104645	burner cap ø 114 mm 7,5 kW H 14 mm seat ø 103,5 mm	537060080
4	107426	air mixing tube L 77mm ED ø 18mm ID ø 13mm brass	537060160

G11, G21, G31 series



fig.	Part No.	description	Ref. No.
1	104640	burner cap ø 105 mm seat ø 86 mm	535290000
2	104639	burner head ø 137mm for burner cap ø 105mm H 11mm seat ø 88mm	535290001



fig.	Part No.	description	Ref. No.
3	104644	burner ø 137mm 4,3kW complete	535130133
4	104642	burner cap ø 118 mm seat ø 86 mm	535480006



fig.	Part No.	description	Ref. No.
5	104643	burner head ø 137mm for burner cap ø 118mm H 11mm seat ø 88mm	537101560
6	104641	burner head ø 137mm for burner cap ø 118mm H 11mm seat ø 88mm	535400060
7	107423	nozzle holder nozzle type 175 L 72mm tube ø 8mm screw pipe fitting M12x1 M6x0,75	537101096

miscellaneous



fig.	Part No.	description	Ref. No.
1	104646	burner cap ø 92 mm H 14 mm ID ø 50 mm	537880420

pan supports



fig.	Part No.	description	Ref. No.
1	210045	pan support W 295mm L 560mm H 31mm suitable for FALCON	535400130
2	210048	pan support W 295mm L 560mm H 37mm mounting position centre	534100020




3

fig.	Part No.	description	Ref. No.
3	210047	pan support W 295mm L 560mm H 37mm mounting position left/right	534100010

FOEM
universal



1 2


fig.	Part No.	description	Ref. No.
1	103045	burner cap ø 80 mm	05000012630
2	103046	burner cap ø 110 mm with central hole	05000012530

FRANKE/SALVIS
Combiline series



1 2 3 4


fig.	Part No.	description	Ref. No.
1	108032	burner cap ø 50 mm	1G820047
2	108033	burner head for burner cap ø 50mm	1G820084
3	108010	burner cap ø 78 mm	178907
4	108003	burner head for burner cap ø 78mm ED ø 83mm	178891



5

fig.	Part No.	description	Ref. No.
5	108034	burner lower part ø 35 mm for burner cap ø 50/78mm L 100 mm	1G820013

Smartline series



1 2 3

fig.	Part No.	description	Ref. No.
1	108035	burner cap ø 50 mm	835307
2	108039	burner head ø 89mm for burner cap ø 50mm	1G564262
1	108038	burner cap ø 78 mm	835293
2	108036	burner head ø 111mm for burner cap ø 78mm	835315
3	108037	burner lower part complete	835331

GICO

50, 60, 62, 70, 90, 92, 110 (old series)




1 2 3 4

fig.	Part No.	description	Ref. No.
1	105078	burner cap C ø 60 mm	290200450
2	105077	burner ring C for burner cap ø 60mm	270204230
3	105060	burner head C for burner cap ø 60mm	764305190
4	105076	burner head C for burner cap ø 60mm	790300789



5 6 7

fig.	Part No.	description	Ref. No.
5	105081	burner cap D ø 80 mm	290200480
6	105080	burner ring D for burner cap ø 80mm	270204240
7	104091	burner head D ø 124mm for burner cap ø 80mm	790300799



8 9 10 11

fig.	Part No.	description	Ref. No.
8	105062	venturi C	760311640
9	104093	venturi C/D	770324790
10	104096	burner holder with nozzle holder connection M20x1,5	241202412
11	105068	air mixing sleeve	741312350



700/900 (old series)



fig.	Part No.	description	Ref. No.
1	103060	burner cap C ø 70 mm	770319550
2	103061	burner cap D ø 100 mm	770319560
3	103062	burner cap E ø 135 mm	241200430



fig.	Part No.	description	Ref. No.
4	104091	burner head D ø 124mm for burner cap ø 80mm	790300799



fig.	Part No.	description	Ref. No.
5	104093	venturi C/D	770324790
6	104096	burner holder with nozzle holder connection M20x1,5	241202412
7	105068	air mixing sleeve	741312350

500, 700new, 900, 920, 110 (new series)



fig.	Part No.	description	Ref. No.
1	105078	burner cap C ø 60 mm	290200450
2	105077	burner ring C for burner cap ø 60mm	270204230
3	105091	burner head C for burner cap ø 60mm	770339300



fig.	Part No.	description	Ref. No.
4	105081	burner cap D ø 80 mm	290200480
5	105080	burner ring D for burner cap ø 80mm	270204240
6	105098	burner head D for burner cap ø 80mm	770336750



fig.	Part No.	description	Ref. No.
7	105084	burner cap B ø 90 mm with central hole	270203550
8	105119	burner head B for burner cap ø 90mm	A00420



fig.	Part No.	description	Ref. No.
9	105088	burner cap A ø 110 mm with central hole	270203540
10	105099	burner head A for burner cap ø 110mm	A00419
11	105100	burner head A for burner cap ø 110mm	A00418



fig.	Part No.	description	Ref. No.
12	104093	venturi C/D	770324790
13	104096	burner holder with nozzle holder connection M20x1,5	241202412
14	105068	air mixing sleeve	741312350

solid tops series 60, 62



fig.	Part No.	description	Ref. No.
1	105078	burner cap C ø 60 mm	290200450
2	105077	burner ring C for burner cap ø 60mm	270204230
3	105060	burner head C for burner cap ø 60mm	764305190



fig.	Part No.	description	Ref. No.
4	103060	burner cap C ø 70 mm	770319550
5	105143	burner head C for burner cap ø 70mm	760305630
6	103061	burner cap D ø 100 mm	770319560



fig.	Part No.	description	Ref. No.
7	105146	burner head D for burner cap ø 100mm	760302390



fig.	Part No.	description	Ref. No.
8	105062	venturi C	760311640
9	104096	burner holder with nozzle holder connection M20x1,5	241202412
10	105068	air mixing sleeve	741312350



solid tops series 70, 90, 92, 110 (old), 700, 900, 920, 110 (new)



fig.	Part No.	description	Ref. No.
1	105364	round burner ø 190mm	A00176



fig.	Part No.	description	Ref. No.
2	105078	burner cap C ø 60 mm	290200450
3	105077	burner ring C for burner cap ø 60mm	270204230
4	105076	burner head C for burner cap ø 60mm suitable for	790300789



fig.	Part No.	description	Ref. No.
5	103061	burner cap D ø 100 mm	770319560
6	105079	burner head D ø 100mm	770336760
7	105144	burner head for burner cap ø 100mm	790300799



fig.	Part No.	description	Ref. No.
8	104093	venturi C/D	770324790
9	104096	burner holder with nozzle holder connection M20x1,5	241202412
10	105068	air mixing sleeve	741312350
11	105147	nozzle holder L 61mm M10x1 gas inlet 1/2" gas outlet M14x1	A00024

pan supports



fig.	Part No.	description	Ref. No.
1	210028	pan support W 287mm L 387mm H 46mm suitable for GICO	270203609

reducers for pan supports



fig.	Part No.	description	Ref. No.
1	210001	reducer for pan support L 265mm W 265mm SS	241200480

GIGA

Snack 600 series



fig.	Part No.	description	Ref. No.
1	103066	burner cap ø 80 mm	M00300
2	103065	burner ring for burner cap ø 80mm	M01000
3	104100	burner head for burner cap ø 80mm	M00800
4	104101	burner holder for burner cap ø 80mm with nozzle holder with mixing sleeve	M00600



fig.	Part No.	description	Ref. No.
5	103068	burner cap ø 100 mm	M00400
6	103067	burner ring for burner cap ø 100mm	M01100
7	104102	burner head for burner cap ø 100mm	M00900
8	104103	burner holder suitable for burner ø100mm with nozzle holder	M00700

Top 700, Sistema 800, Opera 900 series



fig.	Part No.	description	Ref. No.
1	103026	burner cap ø 87 mm 4 kW	V00300
1	108144	burner cap ø 117 mm 6/7.8kW	V00400
1	103018	burner cap ø 125 mm	V02600
2	103025	burner head for burner cap ø 87mm 4kW	V00100
2	108143	burner head for burner cap ø 117mm 6/7,8kW	V00200
2	103017	burner head for burner cap ø 125mm 9,5kW	V02500
3	103000	burner lower part for burner cap ø 87 mm 4 kW	V01800
3	106422	burner lower part for burner cap ø 117/125mm 6/7.8/9.5kW	V01900



Counter 700, Kappa 900 series



fig.	Part No.	description	Ref. No.
1	103069	burner cap ø 80 mm 4,3 kW with central hole	X21600
2	104480	burner head for burner cap ø 80mm 3,5kW	0750X21000
3	105297	burner head for burner cap ø 80mm 4,3kW for pilot burner	721-030-00



fig.	Part No.	description	Ref. No.
4	103070	burner cap ø 95 mm 6,4 kW with central hole	X21700
5	105299	burner head ø 110mm 8,3kW	—
6	105298	burner head for burner cap ø 95 mm 6,4 kW for pilot burner	721-028-00



fig.	Part No.	description	Ref. No.
7	105300	burner cap ø 120 mm 7 kW with central hole ID ø 64 mm	X21800
8	105348	burner head for burner cap ø 120mm 7kW with ignition flame	721-026-00
9	104478	burner head for burner cap ø 100mm for igniter	0750X21100




fig.	Part No.	description	Ref. No.
10	104482	burner lower part 3.5/4.3kW	0750X21300
10	104476	burner lower part 5.5/6.4kW	0750X21400
10	104477	burner lower part 7/8.3kW	721-025-00

solid tops



fig.	Part No.	description	Ref. No.
1	107586	round burner ø 120mm	X22800

miscellaneous



fig.	Part No.	description	Ref. No.
1	108145	burner cap ø 100 mm	AGB004ZR10
2	108146	burner head for burner cap ø 100mm	AGB003ZR10
3	108147	burner lower part for burner cap ø 100 mm	AGB012ZR10

pan supports



fig.	Part No.	description	Ref. No.
1	210245	pan support W 370mm L 580mm	1550Y63000

HEIDEBRENNER

Universal series

burner caps



fig.	Part No.	description	Ref. No.
1	105945	burner cap cross-shaped	8643
2	104534	burner cap ø 62 mm 3,5 kW	98642
3	105943	burner cap ø 95 mm 5,8 kW	8634



fig.	Part No.	description	Ref. No.
4	104611	burner cap ø 95 mm slotted	8635
5	105941	burner cap ø 115 mm	8637
6	105944	burner cap ø 115 mm slotted	8638




fig.	Part No.	description	Ref. No.
7	105942	burner cap ø 155 mm	8640
8	105946	burner cap ø 155 mm slotted	8641
9	105947	burner cap ø 155 mm slotted	8658



reducers for pan supports

1

fig.	Part No.	description	Ref. No.
1	210001	reducer for pan support L 265mm W 265mm SS	98.801

height extensions

1

fig.	Part No.	description	Ref. No.
1	210235	attachment ring ø 255mm	8360

IMPERIAL USA

1 2 3

fig.	Part No.	description
1	103027	burner cap ø 117 mm with central hole
2	104274	burner head ø 155mm front suitable for IHR
3	104279	burner head ø 155mm rear suitable for IHR

JEMI

universal

1 2 3

fig.	Part No.	description	Ref. No.
1	104248	burner cap ø 125 mm	990405
2	104238	burner head for burner cap ø 125mm	070414
3	104237	burner head for burner cap ø 125mm	590403

4 5 6

fig.	Part No.	description	Ref. No.
4	104249	burner cap ø 155 mm	590406
5	104239	burner head for burner cap ø 155mm	590404
6	104270	air mixing tube ø 19mm	990909

JUNO

46, 71, 72 series

1 2 3

fig.	Part No.	description	Ref. No.
1	103001	burner cap B ø 60 mm	0H6325
2	103004	burner ring B ø 60mm	0H6344
3	104001	burner head B for burner cap ø 60mm	0H6308

4 5 6

fig.	Part No.	description	Ref. No.
4	103002	burner cap C ø 75 mm	0H6326
5	103005	burner ring C ø 75mm	0H6323
6	104002	burner head C for burner cap ø 75mm	0H6309

7 8 9

fig.	Part No.	description	Ref. No.
7	103003	burner cap D ø 80 mm	0H6327
8	103006	burner ring D for burner cap ø 80mm mounting ø 62mm	0H6324
9	104003	burner head D for burner cap ø 80mm	0H6310

10 11 12

fig.	Part No.	description	Ref. No.
10	104057	burner lower part B/C for burner cap ø 60/80mm mounting position front short	0H7089
11	104234	burner lower part B/D for burner cap ø 60/80mm mounting position rear long suitable for 72 series	0KC813
11	104232	burner lower part D for burner cap ø 80 mm mounting position rear long suitable for 71 series	0H7095
12	103007	O-ring Viton thickness 5mm ID ø 42,5mm Qty 1 pcs	0H6863

74, 75, 85, 90, 92, 95, 97 series

1 2 3

fig.	Part No.	description	Ref. No.
1	103086	burner cap C ø 85 mm with central hole	0H6319
2	104027	burner head C for burner cap ø 85mm	0G1593
3	104042	burner lower part C	0H7154




fig.	Part No.	description	Ref. No.
4	103087	burner cap D ø 95 mm with central hole	0H6320
5	104028	burner head D for burner cap ø 95mm	0H6340
6	104043	burner lower part D for burner cap ø 95 mm	0H7155



fig.	Part No.	description	Ref. No.
7	103088	burner cap E ø 115 mm with central hole	0H6321
8	104029	burner head E for burner cap ø 115mm	0H6341
9	104044	burner lower part E for burner cap ø 115 mm	0G1811




fig.	Part No.	description	Ref. No.
10	103007	O-ring Viton thickness 5mm ID ø 42,5mm Qty 1 pcs	0H6863

pan supports




fig.	Part No.	description	Ref. No.
1	210131	pan support W 345mm L 800mm C-C/C-D/D-E burner	0K1983

reducers for pan supports




fig.	Part No.	description	Ref. No.
1	210014	reducer for pan support L 155mm W 140mm suitable for B burner	0H6849
2	210001	reducer for pan support L 265mm W 265mm SS	025056

KÜPPERSBUSCH

EGH (1) series



fig.	Part No.	description	Ref. No.
1	104501	burner cap C/2.3mm ø 85 mm	152753
2	104500	burner head C for burner cap ø 85mm	152907
3	104544	burner lower part C for burner cap ø 85 mm hole ø 13 mm	152754
3	104502	burner lower part C for burner cap ø 85 mm hole ø 16,5 mm	152754



fig.	Part No.	description	Ref. No.
4	104460	burner cap D ø 94 mm 5 kW with central hole	152812
5	104505	burner head D for burner cap ø 95mm	152763
6	104504	burner lower part D for burner cap ø 100 mm hole ø 16 mm	125761




fig.	Part No.	description	Ref. No.
7	104511	gasket ø 72mm ID ø 45mm H 1,2mm perforation ø 5mm for burner head	060329
8	104520	air mixing tube C ø 16mm	—

EGH (2), FGH, NGH (2), PGH series



fig.	Part No.	description	Ref. No.
1	103079	burner cap C ø 80 mm	152808
2	104265	burner head C for burner cap ø 80mm	152900



fig.	Part No.	description	Ref. No.
3	104261	burner cap D ø 100 mm with central hole	152800
4	104262	burner head D for burner cap ø 100mm	152901



fig.	Part No.	description	Ref. No.
5	104266	burner cap E ø 130 mm with central hole	152801
6	104269	burner head E for burner cap ø 130mm	782375005

fig.	Part No.	description	Ref. No.
7	104429	burner lower part C/D mounting position front	946396505
7	104430	burner lower part E mounting position front	995913505
8	104267	burner lower part C/D/E mounting position rear	992136002
9	104263	gasket for burner head	060610

fig.	Part No.	description	Ref. No.
10	104264	O-ring silicone thickness 3,53mm ID ø 40,86mm Qty 1 pcs	060308

GHP, LGH series

fig.	Part No.	description	Ref. No.
1	103078	burner cap B ø 65 mm	161348
2	103116	burner head B for burner cap ø 65mm	161523
3	103112	gasket B for burner cap ø 65mm	060944

fig.	Part No.	description	Ref. No.
4	103079	burner cap C ø 80 mm	152808
5	103117	burner head C for burner cap ø 85mm	161533
6	103113	gasket C for burner cap ø 85mm	060950

fig.	Part No.	description	Ref. No.
7	103110	burner lower part short	161155
8	103111	burner lower part long, complete mounting position right	540998
9	103115	burner ring for burner cap ø 65/85mm	161560
10	103114	gasket silicone D1 ø 34mm D2 ø 30mm thickness 2mm Qty 1 pcs	060436

NGH (1), GHN series

fig.	Part No.	description	Ref. No.
1	104533	burner cap ø 62 mm	161312
2	103078	burner cap B ø 65 mm	161348
3	104130	burner head for burner cap ø 65mm mounting position front	896802523

fig.	Part No.	description	Ref. No.
4	104131	burner head for burner cap ø 65mm mounting position rear	896804523
5	104135	venturi for burner cap ø 65mm mounting position outer	142861

fig.	Part No.	description	Ref. No.
6	103082	burner cap ø 100 mm with central hole	146006
7	104132	burner head for burner cap ø 100mm mounting position front	896801523

fig.	Part No.	description	Ref. No.
8	104133	burner head for burner cap ø 100mm mounting position rear	896803523
9	104134	venturi for burner cap ø 100mm	142860
10	104376	air mixing sleeve	895816002

reducers for pan supports

fig.	Part No.	description	Ref. No.
1	210050	reducer for pan support L 260mm W 260mm chrome-plated steel	—
1	210001	reducer for pan support L 265mm W 265mm SS	—
2	210017	reducer for pan support ø 190mm	122166



LA CORNUE

854 series



fig.	Part No.	description	Ref. No.
1	107107	burner type 854 ø 80 mm L 120 mm complete	—
1	107004	burner type 854 ø 80mm L 175mm complete	—
1	107005	burner type 854 ø 80mm L 250mm complete	—



fig.	Part No.	description	Ref. No.
2	108004	burner cap ø 78 mm mounting ø 72 mm	—
3	108003	burner head for burner cap ø 78mm ED ø 83mm	—
4	108055	burner lower part size 4/5 thread M26x1.75	—
5	108088	nozzle holder	—
6	108064	air mixing tube size 4/5	—

861 series



fig.	Part No.	description	Ref. No.
1	107009	burner type 861 ø 80 mm L 185 mm complete	—
1	107010	burner type 861 ø 80mm L 245mm complete	—



fig.	Part No.	description	Ref. No.
2	108010	burner cap ø 78 mm	—
3	108003	burner head for burner cap ø 78mm ED ø 83mm	—
4	108056	burner lower part size 6	—
5	108054	nozzle holder size 6 thread M34x1,5	—
6	108065	air mixing tube size 6	—

LINCAR



fig.	Part No.	description	Ref. No.
1	103213	burner cap 3 kW ED ø 73 mm seat ø 67 mm enamelled	38020220
2	103214	burner head 3kW for burner cap ø 73mm seat ø 67mm	38020210
3	103215	burner cap 4,5 kW ED ø 104 mm seat ø 98 mm	38020221
4	103216	burner head 4,5kW for burner cap ø 104mm	38020211



fig.	Part No.	description	Ref. No.
5	103217	burner cap 7,5 kW ED ø 128 mm ID ø 70 mm	38020222
6	103218	burner head 7,5kW for burner cap ø 128mm	38020212

LINCAT



fig.	Part No.	description	Ref. No.
1	103057	burner ø 94mm 5kW complete	BU80
2	103054	burner cap ø 95 mm H 15 mm	BU100
3	104511	gasket ø 72mm ID ø 45mm H 1,2mm perforation ø 5mm	BU111



fig.	Part No.	description	Ref. No.
4	103037	burner cap ø 95 mm	BU36
5	103044	burner head ø 100mm for burner cap ø 95mm	BU35
6	109092	gasket for burner head suitable for BU35	GA25

LOFRA

600 series



fig.	Part No.	description	Ref. No.
1	105994	burner cap 1 kW ø 55 mm bright finish	01U587
2	105996	burner head 1kW for burner cap ø 55mm	01Q805
3	105993	burner cap 1,8 kW ø 75 mm bright finish	01U588
4	105995	burner head 1,8kW for burner cap ø 75mm	01Q808



fig.	Part No.	description	Ref. No.
5	105054	burner cap 3 kW ø 100 mm H 3,5 mm bright finish	01U589
6	105992	burner head 3kW for burner cap ø 100mm	01Q811



fig.	Part No.	description	Ref. No.
7	105064	burner cap 3,6 kW ø 61 mm H 6,5 mm mounting position inner bright finish	01U590
8	105063	burner cap 3,6 kW ø 131 mm H 4 mm mounting position outer bright finish	01U591
9	105991	burner head for burner cap ø 131mm	01Q815

LOPEZ

854 series

fig.	Part No.	description	Ref. No.
1	107107	burner type 854 ø 80 mm L 120 mm complete	—
1	107004	burner type 854 ø 80mm L 175mm complete	—
1	107005	burner type 854 ø 80mm L 250mm complete	—

fig.	Part No.	description	Ref. No.
2	108004	burner cap ø 78 mm mounting ø 72 mm	—
3	108003	burner head for burner cap ø 78mm ED ø 83mm	—
4	108055	burner lower part size 4/5 thread M26x1.75	—
5	108088	nozzle holder	—
6	108064	air mixing tube size 4/5	—

861 series

fig.	Part No.	description	Ref. No.
1	107009	burner type 861 ø 80 mm L 185 mm complete	—
1	107010	burner type 861 ø 80mm L 245mm complete	—

fig.	Part No.	description	Ref. No.
2	108010	burner cap ø 78 mm	—
3	108003	burner head for burner cap ø 78mm ED ø 83mm	—
4	108056	burner lower part size 6	—
5	108054	nozzle holder size 6 thread M34x1,5	—
6	108065	air mixing tube size 6	—

862 series

fig.	Part No.	description	Ref. No.
1	107119	burner type 862 ø 100 mm L 185 mm complete	—
1	107120	burner type 862 ø 100mm L 245mm complete	—

fig.	Part No.	description	Ref. No.
2	108078	burner cap ø 98 mm mounting ø 97 mm	—
3	108014	burner head ø 100mm seat ø 97mm	—
4	108056	burner lower part size 6	—
5	108054	nozzle holder size 6 thread M34x1,5	—
6	108065	air mixing tube size 6	—

873 series

fig.	Part No.	description	Ref. No.
1	107062	burner type 873 ø 120mm L 120mm complete series 873	—
1	107063	burner type 873 ø 120mm L 175mm complete	—
2	108081	burner cap ø 120 mm with central hole	—
3	108052	nozzle holder size 4/5 thread M26x1	—
4	108064	air mixing tube size 4/5	—

LOTUS

55, 90 series

fig.	Part No.	description	Ref. No.
1	105746	burner cap ø 60 mm 4 kW	532003700
2	105747	burner head for burner cap ø 60mm 4kW	531035200
3	105748	burner lower part for burner cap ø 60 mm 4 kW	531034900



fig.	Part No.	description	Ref. No.
4	105750	burner cap ø 80 mm 7 kW	532003800
5	105751	burner head for burner cap ø 80mm 7kW	531035300
6	105752	burner lower part for burner cap ø 80 mm 7 kW	531035000

fig.	Part No.	description	Ref. No.
7	105753	burner cap ø 110 mm 10 kW	532003900
8	105754	burner head for burner cap ø 110mm 10kW	531035400
9	105755	burner lower part for burner cap ø 110 mm 10 kW	531035100

fig.	Part No.	description	Ref. No.
10	105749	air mixer	544424100

60 (1) series

fig.	Part No.	description	Ref. No.
1	103066	burner cap ø 80 mm	532001100
2	103065	burner ring for burner cap ø 80mm	532000800
3	104100	burner head for burner cap ø 80mm	532000500

fig.	Part No.	description	Ref. No.
4	103068	burner cap ø 100 mm	532001200
5	103067	burner ring for burner cap ø 100mm	532000900
6	104102	burner head for burner cap ø 100mm	532000600

fig.	Part No.	description	Ref. No.
7	106380	burner holder for burner cap ø 80mm with nozzle holder without mixing sleeve	—
7	104246	burner holder for burner cap ø 100mm with nozzle holder without mixing sleeve	—
8	106379	air mixing tube for burner cap ø 80mm L 23mm D1 ø 20mm D2 ø 15,6mm D3 ø 14mm	—
8	104247	air mixing sleeve for burner cap ø 100mm L 23mm D1 ø 20mm D2 ø 17,3mm D3 ø 15,7mm	—

60 (2) series

fig.	Part No.	description	Ref. No.
1	105738	burner cap ø 100 mm	532003400
2	105739	burner head for burner cap ø 100mm	532003100
3	105744	burner lower part for burner cap ø 100 mm	532002901

fig.	Part No.	description	Ref. No.
4	105740	burner cap 4,5 kW ø 48 mm mounting position inner bright finish	532003500
5	105741	burner head 4,5kW mounting position inner for burner cap ø 55mm	532003200
6	105742	burner cap 4,5 kW ø 130 mm mounting position outer bright finish	532003600
7	105743	burner head 4,5kW mounting position outer for burner cap ø 130mm	532003300

fig.	Part No.	description	Ref. No.
8	105745	burner lower part 4,5 kW	532003000



65, 70 series



fig.	Part No.	description	Ref. No.
1	105413	burner cap 3,5 kW ø 82 mm	—
2	105414	burner head for burner cap ø 82mm 3,5kW without pin	532001500
1	105416	burner cap 5,5 kW ø 102 mm with central hole	532001800
2	105417	burner head for burner cap ø 102mm 5,5kW without pin	532001600
3	106977	burner cap 3,5 kW ø 82 mm with notch	532006400
4	106976	burner head for burner cap ø 82mm 3,5kW with roll pin	532006600
3	106752	burner cap 5,5 kW ø 102 mm with notch	532006500
4	106753	burner head for burner cap ø 102mm 5,5kW with roll pin	532006700



fig.	Part No.	description	Ref. No.
5	105415	venturi for burner cap ø 82mm 3,5kW	532001300
5	105418	venturi for burner cap ø 102mm 5,5kW	532001400
6	105043	air mixing tube ø 18mm L 38mm	533053000
6	105044	air mixing tube ø 20mm L 38mm	533053100

stockpot stoves



fig.	Part No.	description	Ref. No.
1	105410	round burner ø 190mm 9,5kW	532002601

pan supports



fig.	Part No.	description	Ref. No.
1	210032	pan support W 270mm L 340mm H 47mm	532005901

reducers for pan supports



fig.	Part No.	description	Ref. No.
1	210050	reducer for pan support L 260mm W 260mm chrome-plated steel	533009200
1	210001	reducer for pan support L 265mm W 265mm SS	533009200
2	210018	reducer for pan support ø 160mm	533009100

MACFRIN

Snack series



fig.	Part No.	description	Ref. No.
1	104446	burner cap ø 121 mm ID ø 58 mm	14070530

Cocinas 2008 series



fig.	Part No.	description	Ref. No.
1	104347	burner cap ø 104,5 mm H 20 mm	C5815109
2	104348	burner head ø 137mm for burner cap ø 104,5mm H 52mm	C5815119
3	104364	burner lower part L 82 mm H 67 mm seat ø 33/44mm connection 33 mm	C5815129



fig.	Part No.	description	Ref. No.
4	104349	burner cap E ø 129 mm 9 kW H 25 mm	C5815039
5	104363	burner head E ø 152mm for burner cap ø 120mm 9kW H 45mm	C5815049
6	104373	burner head wok burner ø 151mm 12kW H 48mm	C5815469



fig.	Part No.	description	Ref. No.
7	104365	burner lower part E L 79 mm H 67 mm seat ø 34.5/43.5mm connection 34 mm	C5815059
8	104126	burner lower part for wok range ø 34.5/43.5mm L 80 mm total length 96 mm H 67 mm seat ø 34 mm	C5815699
9	105404	gasket D1 ø 61,5mm D2 ø 49mm thickness 1mm hole ø 6mm hole distance 52mm FIBER	C5815089



fig.	Part No.	description	Ref. No.
10	104328	burner pipe 4,5kW L 93mm total length 108mm air mixer ø 18,2mm ED ø 32,9mm ID ø 22,7mm	C5815139
11	104368	burner pipe L 115mm total length 130mm ID ø 27,7mm ED ø 33,8mm	C5815069
12	104369	nozzle holder L 41mm nozzle mounting M10x1 thread M14x1 connection 10mm	C5815159



stockpot stoves



fig.	Part No.	description	Ref. No.
1	104367	burner ø 398mm H 100mm	352600
2	104366	burner ø 260mm H 100mm double seat ø 37mm	367400



fig.	Part No.	description	Ref. No.
3	104345	venturi ø 36/50mm L 133mm thread M16x1,5	3675
4	104346	air mixing sleeve ø 54mm L 39mm	493084P

MALAG

universal



fig.	Part No.	description	Ref. No.
1	105801	burner 5,8kW complete	112267

MARENO

600 (1) series



fig.	Part No.	description	Ref. No.
1	103066	burner cap ø 80 mm	MA1032000700
2	103065	burner ring for burner cap ø 80mm	MA1032009500
3	104100	burner head for burner cap ø 80mm	MA1032009300



fig.	Part No.	description	Ref. No.
4	103068	burner cap ø 100 mm	MA1032000800
5	103067	burner ring for burner cap ø 100mm	MA1032009600
6	104102	burner head for burner cap ø 100mm	MA1032009400



fig.	Part No.	description	Ref. No.
7	106380	burner holder for burner cap ø 80mm with nozzle holder without mixing sleeve	—
7	104246	burner holder for burner cap ø 100mm with nozzle holder without mixing sleeve	—
8	106379	air mixing tube for burner cap ø 80mm L 23mm D1 ø 20mm D2 ø 15,6mm D3 ø 14mm	—
8	104247	air mixing sleeve for burner cap ø 100mm L 23mm D1 ø 20mm D2 ø 17,3mm D3 ø 15,7mm	—

600 (2) series



fig.	Part No.	description	Ref. No.
1	103143	burner cap ø 85 mm 3,5 kW	MA1032501422
2	103140	burner head seat ø 75mm for burner cap ø 85mm 3,5kW	CR0795730



fig.	Part No.	description	Ref. No.
3	103144	burner cap ø 95 mm 5,5 kW	1032501600
4	103141	burner head ø 95mm suitable for burner 5,5kW	MACM297300



fig.	Part No.	description	Ref. No.
5	103145	burner cap ø 95 mm 7 kW with central hole	MA1032501522
6	103142	burner head for burner cap ø 95mm 5,5kW with central hole	MA1032101600



fig.	Part No.	description	Ref. No.
7	103148	gasket L 47mm W 53mm suitable for burner 3,5kW	MA1036607800
7	103149	gasket L 55mm W 62mm for burner 5,5/7kW	MA1036607900
8	103146	burner lower part for burner cap ø 85 mm 3,5 kW	MA1032101200
8	103147	burner lower part for burner cap ø 95 mm 5,5/7kW	MA1032101300
9	105230	nozzle holder	MA1033717200



700, 900, 1000 (1) series

fig.	Part No.	description	Ref. No.
1	103020	burner cap ø 80 mm	MA1315612
2	104030	burner head for burner cap ø 80mm	MA1315422
3	104033	burner lower part for burner cap ø 80 mm 1. generation	1315200

fig.	Part No.	description	Ref. No.
3	105484	burner head ø 175 mm for solid top suitable for Protagonista series	MACM005004

fig.	Part No.	description	Ref. No.
4	103021	burner cap ø 110 mm	MA1315712
5	104031	burner head for burner cap ø 110mm	MA1315522
6	104034	burner lower part for burner cap ø 110 mm	MA1315300

700, 900, 1000 (2) series

fig.	Part No.	description	Ref. No.
1	103143	burner cap ø 85 mm 3,5 kW	MA1032501422
2	105249	burner head for burner cap ø 85mm 3,5kW	MACM264000

fig.	Part No.	description	Ref. No.
7	103022	burner cap ø 120 mm with central hole	MA1316012
8	104032	burner head for burner cap ø 120mm	MA1315922
9	103150	burner lower part for burner cap ø 110/120mm	MA1892500

fig.	Part No.	description	Ref. No.
3	105259	burner cap ø 95 mm with central hole	MACM264300
4	105262	burner head for burner cap ø 95mm 5,5kW	MACM264100

fig.	Part No.	description	Ref. No.
10	103151	reducer suitable for burner head ø110mm	MA1893300
11	105051	air mixing sleeve L 45mm ED ø 45mm ID ø 42mm aluminium	MA1314700
12	105052	nozzle holder nozzle mounting M10x1	MA1306615

fig.	Part No.	description	Ref. No.
5	103148	gasket L 47mm W 53mm suitable for burner 3,5kW	MA1036607800
5	103149	gasket L 55mm W 62mm for burner 5,5/7kW	MA1036607900
6	103146	burner lower part for burner cap ø 85 mm 3,5 kW	MA1032101200
6	103147	burner lower part for burner cap ø 95 mm 5,5/7kW	MA1032101300
7	105336	air mixing sleeve	MA1044229212
8	105230	nozzle holder	MA1033717200

solid tops

fig.	Part No.	description	Ref. No.
1	105042	burner cap ø 175 mm with central hole	MA1316400
2	105041	burner head ø 175mm for solid top	MA1316300

700, 900, 1000 (3) series

fig.	Part No.	description	Ref. No.
1	105263	burner cap ø 80 mm	MACM027600
2	105265	burner head for burner cap ø 80mm	MACM006001




fig.	Part No.	description	Ref. No.
3	105268	burner cap ø 110 mm	MACM027100
4	105269	burner head ø 158mm for burner cap ø 110mm	MACM005901



fig.	Part No.	description	Ref. No.
5	105273	burner cap ø 120 mm with central hole	MACM027200
6	105274	burner head for burner cap ø 120mm	MACM006502



fig.	Part No.	description	Ref. No.
7	105266	burner lower part for burner cap ø 80 mm	MACM042900
7	105272	burner lower part for burner cap ø 110 mm	MACM043000
7	105275	burner lower part for burner cap ø 120 mm	MACM043100
8	105051	air mixing sleeve L 45mm ED ø 45mm ID ø 42mm aluminium	MA1314700
9	105267	nozzle holder	MA1781800

stockpot stoves/boiling pan



fig.	Part No.	description	Ref. No.
1	105276	burner cap ø 225 mm with central hole	MA1205900
2	105277	burner head for burner cap ø 225mm for stockpot stoves	MA1104300
3	105278	gasket for burner head	MA1104612

pan supports




fig.	Part No.	description	Ref. No.
1	210019	pan support W 290mm L 345mm gas range suitable for series 700	MACM018402
2	210151	pan support W 295mm L 545mm gas range	MA1032101101

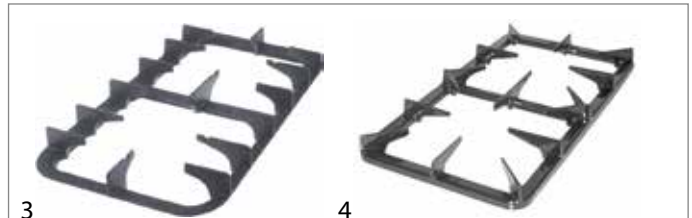


fig.	Part No.	description	Ref. No.
3	210150	pan support W 340mm L 545mm	MA1032101001
4	210102	pan support W 340mm L 605mm for 700	MA1700112

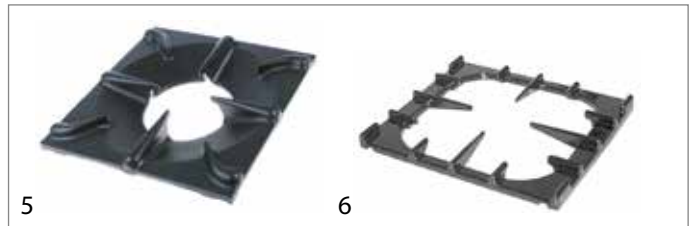


fig.	Part No.	description	Ref. No.
5	210000	pan support W 345mm L 345mm gas range suitable for series 900 suitable for MARENO	MACM018501
6	210103	pan support W 350mm L 400mm mounting position rear for 900	MA1316622




fig.	Part No.	description	Ref. No.
7	210104	pan support W 400mm L 430mm for 900	MA1316522

reducers for pan supports

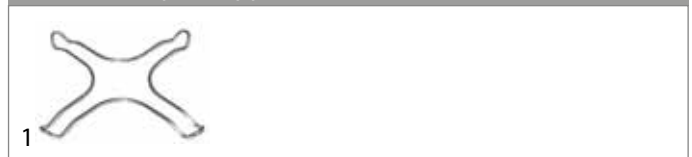



fig.	Part No.	description	Ref. No.
1	210001	reducer for pan support L 265mm W 265mm SS	—

solid tops



fig.	Part No.	description	Ref. No.
1	104755	cast plate round ø 300mm suitable for MARENO T9FP-4G	MACM052300




MAS-BAGA			
Snack series			
			
1			
fig.	Part No.	description	Ref. No.
1	104446	burner cap ø 121 mm ID ø 58 mm	14070530


Cocinas 2008 series			
			
1			
2			
3			
fig.	Part No.	description	Ref. No.
1	104347	burner cap ø 104,5 mm H 20 mm	C5815109
2	104348	burner head ø 137mm for burner cap ø 104,5mm H 52mm	C5815119
3	104364	burner lower part L 82 mm H 67 mm seat ø 33/44mm connection 33 mm	C5815129

			
4			
5			
6			
fig.	Part No.	description	Ref. No.
4	104349	burner cap E ø 129 mm 9 kW H 25 mm	C5815039
5	104363	burner head E ø 152mm for burner cap ø 120mm 9kW H 45mm	C5815049
6	104373	burner head wok burner ø 151mm 12kW H 48mm	C5815469

			
7			
8			
9			
fig.	Part No.	description	Ref. No.
7	104365	burner lower part E L 79 mm H 67 mm seat ø 34.5/43.5mm connection 34 mm	C5815059
8	104126	burner lower part for wok range ø 34.5/43.5mm L 80 mm total length 96 mm H 67 mm seat ø 34 mm	C5815699
9	105404	gasket D1 ø 61,5mm D2 ø 49mm thickness 1mm hole ø 6mm hole distance 52mm FIBER	C5815089

			
10			
11			
12			
fig.	Part No.	description	Ref. No.
10	104328	burner pipe 4,5kW L 93mm total length 108mm air mixer ø 18,2mm ED ø 32,9mm ID ø 22,7mm	C5815139
11	104368	burner pipe L 115mm total length 130mm ID ø 27,7mm ED ø 33,8mm	C5815069
12	104369	nozzle holder L 41mm nozzle mounting M10x1 thread M14x1 connection 10mm	C5815159

stockpot stoves			
			
1			
2			
fig.	Part No.	description	Ref. No.
1	104367	burner ø 398mm H 100mm	352600
2	104366	burner ø 260mm H 100mm double seat ø 37mm	367400

			
3			
4			
fig.	Part No.	description	Ref. No.
3	104345	venturi ø 36/50mm L 133mm thread M16x1,5	3675
4	104346	air mixing sleeve ø 54mm L 39mm	493084P

MBM ITALY			
Minima series			
			
1			
2			
3			
fig.	Part No.	description	Ref. No.
1	105054	burner cap 3 kW ø 100 mm H 3,5 mm bright finish	RTCU600044
2	105058	burner head 3kW for igniter ø 6mm for burner cap ø 100mm	RTCU600043
3	105059	burner lower part 3 kW for igniter ø 6 mm for thermocouple ø 6 mm without nozzle	RTCU600017

			
4			
5			
6			
7			
fig.	Part No.	description	Ref. No.
4	105064	burner cap 3,6 kW ø 61 mm H 6,5 mm mounting position inner bright finish	RTCU600041
5	105063	burner cap 3,6 kW ø 131 mm H 4 mm mounting position outer bright finish	RTCU600040
6	105065	burner head 3,6kW for burner cap ø 61/131mm	RTCU600042
7	105066	burner lower part 3,6 kW for igniter ø 6 mm for thermocouple ø 6 mm without nozzle ID ø 64 mm	—

Classica, Magistra, Medium series			
			
1			
2			
3			
4			
fig.	Part No.	description	Ref. No.
1	103047	burner cap ø 70 mm	GRCU800001
2	104072	burner head for burner cap ø 70mm	GRCU700018
3	104075	burner holder for burner cap ø 70mm 2 x thread M5 Pos. n° 6	RTCU700006
4	104078	air mixing tube L 60mm ø 17mm	PACU700029




fig.	Part No.	description	Ref. No.
5	103048	burner cap ø 100 mm with central hole	GRCU700002
6	104073	burner head for burner cap ø 100mm H 110mm seat ø 28mm	GRCU700022
7	104076	burner holder for burner cap ø 100mm seat ø 28,5mm thread M5 Pos. n° 7	RTCU700007
8	104079	air mixing tube L 60mm ø 20,5mm	RTCU700160



fig.	Part No.	description	Ref. No.
9	103049	burner cap ø 125 mm with central hole	GRCU700003
10	104074	burner head for burner cap ø 125mm H 110mm seat ø 32mm	GRCU700023
11	104077	burner holder for burner cap ø 125mm H 114mm seat ø 32,6mm thread M5 Pos. n° 8	RTCU700008
12	104080	air mixing tube L 66mm ø 24,5mm	RTCU700199

Omnia, Domina, Magis Magistra series



fig.	Part No.	description	Ref. No.
1	105169	burner cap ø 76 mm mounting position inside/single 3,5 kW	RTCU700375
2	105170	burner head for burner cap ø 76mm 3,5kW	RTCU700380
3	104729	burner head for burner cap ø 75mm 3,5kW	RTCU700748
4	105186	gasket D1 ø 110mm D2 ø 80mm thickness 1,6mm	RTCU700399




fig.	Part No.	description	Ref. No.
5	104434	venturi mounting position front 3,5kW	164555
6	105176	venturi mounting position front 3,5kW	173323
7	105180	venturi mounting position front 3,5kW	160141



fig.	Part No.	description	Ref. No.
8	104435	venturi mounting position rear 3,5kW	160143
9	105177	venturi mounting position rear 3,5kW	173324



fig.	Part No.	description	Ref. No.
10	105171	burner cap ø 115 mm mounting position outer 6 kW with central hole	RTCU700376
11	105172	burner head for burner cap ø 115mm 6kW	RTCU700382
12	104730	burner head for burner cap ø 115mm 6kW	RTCU700749
13	105187	gasket D1 ø 145mm D2 ø 120mm thickness 1,6mm	RTCU700400




fig.	Part No.	description	Ref. No.
14	104433	venturi mounting position front 6kW	164556
15	105178	venturi mounting position front 6kW	173321
16	104431	venturi mounting position rear 6kW	164557




fig.	Part No.	description	Ref. No.
17	105179	venturi mounting position rear 6kW	173322
18	105182	venturi mounting position rear 6kW	160144
19	105181	venturi mounting position front suitable for burner 6kW	160142



fig.	Part No.	description	Ref. No.
20	105173	burner cap ø 50 mm mounting position inner 1 kW	160295
21	105174	burner cap ø 140 mm mounting position outer 7 kW with central hole	160294
22	105175	burner head for burner cap ø 50/140mm 8kW	160296
23	104731	burner head for burner cap ø 140mm 8kW	163254




fig.	Part No.	description	Ref. No.
24	105188	gasket D1 ø 145mm D2 ø 120mm thickness 1,6mm	160329
25	104432	venturi mounting position rear 8kW	164558
26	105183	venturi mounting position rear 8kW	160318




fig.	Part No.	description	Ref. No.
27	105185	nozzle holder	160324
28	105184	nozzle holder	173320



pan supports



fig.	Part No.	description	Ref. No.
1	210174	pan support W 285mm L 505mm	RTCU600019
2	210175	pan support W 300mm L 335mm	RTCU700274



fig.	Part No.	description	Ref. No.
3	210176	pan support W 365mm L 415mm H 50mm	174189

reducers for pan supports

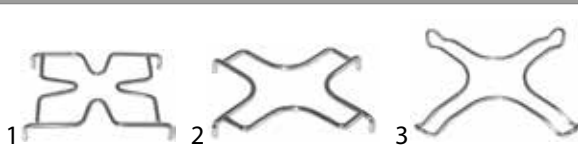


fig.	Part No.	description	Ref. No.
1	210011	reducer for pan support L 175mm W 150mm	RTCU900055
2	210012	reducer for pan support L 180mm W 180mm	RTCU800038
3	210050	reducer for pan support L 260mm W 260mm chrome-plated steel	RTCU700028
3	210001	reducer for pan support L 265mm W 265mm SS	—

MKN

burner head 29mm



fig.	Part No.	description	Ref. No.
1	103090	burner cap C ø 78 mm	201618
2	104088	burner head C for burner cap ø 78mm H 29mm	201855
3	104205	gasket C for burner head	211020



fig.	Part No.	description	Ref. No.
4	104362	burner cap D ø 94 mm with central hole	201619
5	104089	burner head D for burner cap ø 94mm H 29mm	550070
6	104206	gasket D for burner head	211021



fig.	Part No.	description	Ref. No.
7	104212	O-ring Viton thickness 3mm ID ø 32,5mm Qty 1 pcs	211018
8	104098	burner lower part	201842
9	104204	spacer piece	204457
10	104213	venturi C/D	201845
11	104214	air mixing tube ID ø 12mm C	201863
11	104215	air mixing tube ID ø 14mm D	201864

burner head 34mm



fig.	Part No.	description	Ref. No.
1	103090	burner cap C ø 78 mm	201618
2	104207	burner head C for burner cap ø 78mm H 34mm	201102
3	104206	gasket D for burner head	211021



fig.	Part No.	description	Ref. No.
4	103092	burner cap D ø 87 mm	201661
5	104208	burner head D for burner cap ø 87mm H 34mm	201104
6	104205	gasket C for burner head	211020



fig.	Part No.	description	Ref. No.
7	105620	burner cap E ø 114 mm with central hole bore ø 2,7 mm	201769
8	104604	burner head E for burner cap ø 114mm H 34mm	201768



fig.	Part No.	description	Ref. No.
9	104212	O-ring Viton thickness 3mm ID ø 32,5mm Qty 1 pcs	211018
10	104098	burner lower part	201842
11	104204	spacer piece	204457
12	104213	venturi C/D	201845
12	105926	venturi E short	201876
12	104605	venturi E long	201766
13	104215	air mixing tube ID ø 14mm D	201864
13	104214	air mixing tube ID ø 12mm C	201863
13	104606	air mixing tube ID ø 16mm E	201767

pan supports

fig.	Part No.	description	Ref. No.
1	210227	pan support W 275mm L 350mm	201877
2	210228	pan support W 350mm L 350mm H 35mm	201878

reducers for pan supports

fig.	Part No.	description	Ref. No.
1	210015	reducer for pan support L 250mm W 250mm SS	201848

MODULAR

600 series

fig.	Part No.	description	Ref. No.
1	105054	burner cap 3 kW ø 100 mm H 3,5 mm bright finish	67211300
2	105058	burner head 3kW for igniter ø 6mm for burner cap ø 100mm	67211200
3	105059	burner lower part 3 kW for igniter ø 6 mm for thermocouple ø 6 mm without nozzle	67211100

fig.	Part No.	description	Ref. No.
4	105064	burner cap 3,6 kW ø 61 mm H 6,5 mm mounting position inner bright finish	67210900
5	105063	burner cap 3,6 kW ø 131 mm H 4 mm mounting position outer bright finish	67210800
6	105065	burner head 3,6kW for burner cap ø 61/131mm	67210700
7	105066	burner lower part 3,6 kW for igniter ø 6 mm for thermocouple ø 6 mm without nozzle ID ø 64 mm	67210600

650 (LT) series

fig.	Part No.	description	Ref. No.
1	103118	burner cap ø 61 mm	67204400
2	103119	burner ring for burner cap ø 61mm	67209800
3	103120	burner head for burner cap ø 61mm	67205000

fig.	Part No.	description	Ref. No.
4	103121	venturi	67201000
5	103122	burner holder ø 35mm H 82mm nozzle mounting M10x1 mounting distance 55mm connection M16x1,5mm	67302000
6	103127	air mixing sleeve L 36mm ED ø 40mm ID ø 36mm aluminium	67201600

700, 900, 1100 (LD) series

fig.	Part No.	description	Ref. No.
1	105067	burner cap C ø 84 mm 3,5 kW	67207800
2	105069	burner head C for burner cap ø 84mm 3,5kW	67207600

fig.	Part No.	description	Ref. No.
3	103125	burner cap D ø 110 mm 5,5 kW bore ø 2,6 mm with central hole	67207900
4	105070	burner head D ø 150mm for burner cap ø 110mm 5,5kW code 672.077 E	672.077.00



5			
fig.	Part No.	description	Ref. No.
5	103126	burner cap E ø 110 mm 7,5 kW bore ø 3 mm with central hole	67209300
6	103124	burner head E ø 150mm for burner cap ø 110mm 7,5kW code 672.077 A	67210100

7			
8			
9			
fig.	Part No.	description	Ref. No.
7	103121	venturi	67201000
8	103122	burner holder ø 35mm H 82mm nozzle mounting M10x1 mounting distance 55mm connection M16x1,5mm	67302000
9	103127	air mixing sleeve L 36mm ED ø 40mm ID ø 36mm aluminium	67201600

900A series

1			
2			
3			
4			
fig.	Part No.	description	Ref. No.
1	106767	burner cap ø 111 mm 5,5 kW 2-circuit suitable for MODULAR	972.023.00
2	106766	burner head for burner cap ø 111mm 5,5kW suitable for MODULAR	972.019.00
3	106764	burner lower part ø 160 mm 5,5 kW suitable for MODULAR	911.778.00
4	106772	air mixing sleeve ø 25mm suitable for MODULAR	923.261.00

5			
6			
7			
8			
fig.	Part No.	description	Ref. No.
5	106770	burner cap ø 132 mm 7.5-10kW 2-circuit suitable for MODULAR	972.024.00
6	106769	burner head for burner cap ø 132mm 7,5-10kW suitable for MODULAR	972.020.00
7	106768	burner lower part ø 160 mm 7.5-10kW suitable for MODULAR	911.781.00
8	106774	air mixing sleeve ø 30mm suitable for MODULAR	923.262.00

solid tops

1			
fig.	Part No.	description	Ref. No.
1	105072	round burner	67205600

wok burners

1			
2			
3			
fig.	Part No.	description	Ref. No.
1	103096	burner cap ø 120 mm 9,5 kW for wok range	37200300
2	104116	burner head 9,5kW for wok range	37200000
3	104117	air mixing sleeve for wok range	—

pan supports

1			
2			
fig.	Part No.	description	Ref. No.
1	210132	pan support W 340mm L 570mm suitable for series 700	681.008.14
2	210137	pan support W 400mm L 400mm suitable for series 900	68101900

reducers for pan supports

1			
fig.	Part No.	description	Ref. No.
1	210050	reducer for pan support L 260mm W 260mm chrome-plated steel	—

height extensions

1			
2			
fig.	Part No.	description	Ref. No.
1	210114	pan support ø 380mm suitable for wok range	38100200
2	210115	pan support ø 380mm suitable for wok range	38100100

MORICE

859 series

1			
fig.	Part No.	description	Ref. No.
1	107001	burner type 859 ø 80mm L 120mm complete	—
1	107058	burner type 859 ø 80mm L 175mm complete	—





fig.	Part No.	description	Ref. No.
2	108002	burner head ϕ 79mm seat ϕ 32mm H 50mm	—
3	108001	burner ring ϕ 73mm	BR0182 1
4	108042	burner head ϕ 80mm seat ϕ 72mm with central hole	—

universal



fig.	Part No.	description	Ref. No.
1	107031	burner ϕ 60mm complete	BR0101 1
1	107032	burner ϕ 88mm complete	BR0095 1
1	107033	burner ϕ 115mm complete	BR0107 1
2	108028	burner cap ϕ 60 mm with ring	BR0103
2	108029	burner cap ϕ 88 mm with ring	BR0097
2	108030	burner cap ϕ 115 mm with ring	BR0109



fig.	Part No.	description	Ref. No.
1	107034	burner ϕ 145mm complete	BR0079
2	107192	burner cap ϕ 145 mm	DM1249

pan supports




fig.	Part No.	description	Ref. No.
1	107100	pan support W 300mm L 330mm	PQ8755
2	107101	pan support W 330mm L 440mm	GI9036



fig.	Part No.	description	Ref. No.
3	107102	pan support W 330mm L 440mm	PQ0757

spillage trays



fig.	Part No.	description	Ref. No.
1	109127	spillage tray L 430 mm W 318 mm H 42 mm ϕ 140 mm hole ϕ 6 mm hole distance 303 mm	DV8241 1

NAYATI

NGCR, NGES (2), NGHT (2) series



fig.	Part No.	description	Ref. No.
1	105563	burner complete	GS80145
2	105565	burner pipe	GS4353
3	105564	burner cap slotted	GS2020




fig.	Part No.	description	Ref. No.
4	107193	round burner 10kW connection 1" IT	GS.80335
5	105558	round burner 15kW connection 1" IT	GS80205




fig.	Part No.	description	Ref. No.
6	105559	burner cap 10 kW mounting position outer with central hole	GS4030
7	105560	burner head ϕ 180mm 10/15kW connection 1" IT	GS4023
8	105578	burner cap 5 kW mounting position inner slotted	GS2025
9	105562	blind screw connection 3/8"	GS4232



fig.	Part No.	description	Ref. No.
10	105570	air mixer complete	GS80005
11	105573	air mixer chamber housing	GS.4357B
12	105574	nut for air mixers	GS4358
13	105572	air mixing sleeve	GS2825



14	15	16	17
fig.	Part No.	description	Ref. No.
14	105571	internal pipe for air mixers	GS2826
15	105576	ring nut	GS2851
16	105575	compression spring \varnothing 23mm L 35mm wire gauge \varnothing 1,5mm for air mixers	GS1456
17	105579	venturi auxiliary pipe for 15kW burner	GS4237

NGR, NGTR, NGES (1), NGHT (1) series

1	2		
fig.	Part No.	description	Ref. No.
1	105707	burner cap \varnothing 95 mm	GS4021
2	105708	burner head for burner cap \varnothing 95mm	GS4022

3	4	5	
fig.	Part No.	description	Ref. No.
3	105709	venturi	GS3906
4	105710	burner holder with nozzle holder	GS3837
5	105068	air mixing sleeve	GS3601

NGRHT series

1	2	3	
fig.	Part No.	description	Ref. No.
1	107561	burner cap \varnothing 94 mm 5,5 kW	PD.2436-1
2	107559	burner head for burner cap \varnothing 94mm 5,5kW	PD.2440A
3	107557	venturi 5,5kW	PD.2433A

4	5	6	
fig.	Part No.	description	Ref. No.
4	107560	burner cap \varnothing 114 mm 7,5 kW	PD.2435-1
5	107558	burner head for burner cap \varnothing 114mm 7,5kW	PD.2439
6	107556	venturi 7,5kW	PD.2434A

pan supports

1	2		
fig.	Part No.	description	Ref. No.
1	210193	pan support \varnothing 275mm	GS2720
2	210214	pan support W 287mm L 350mm	GS4024

3			
fig.	Part No.	description	Ref. No.
3	210238	pan support W 300mm L 505mm	PD9614

spillage trays

1			
fig.	Part No.	description	Ref. No.
1	210220	spillage tray L 560 mm W 330 mm H 60 mm \varnothing 85 mm hole \varnothing 85 mm hole distance 285 mm stainless steel	GS3030

height extensions

1	2		
fig.	Part No.	description	Ref. No.
1	210195	attachment ring \varnothing 264mm	GS4029 \varnothing 264
2	210194	attachment ring \varnothing 300mm	GS.2718A

3			
fig.	Part No.	description	Ref. No.
3	210249	attachment ring \varnothing 469mm	GS4029 \varnothing 278



OFFCAR

700, 900 (new) series



fig.	Part No.	description	Ref. No.
1	105454	burner cap ø 90 mm with central hole	828125
2	105455	burner head for burner cap ø 90mm	827345



fig.	Part No.	description	Ref. No.
3	105458	burner cap ø 115 mm with central hole	828131
4	105459	burner head for burner cap ø 115mm	827351



fig.	Part No.	description	Ref. No.
5	105461	burner cap ø 135 mm with central hole	828137/1
6	105462	burner head for burner cap ø 135mm	827357/1



fig.	Part No.	description	Ref. No.
7	105456	burner holder for burner cap ø 90/115mm H 122mm with mixing sleeve	827665
8	105463	burner holder for burner cap ø 135mm H 102mm with mixing sleeve	827661

reducers for pan supports



fig.	Part No.	description	Ref. No.
1	210050	reducer for pan support L 260mm W 260mm chrome-plated steel	831733 Mod. RID9-7

OLIS

700 (1) series



fig.	Part No.	description	Ref. No.
1	105292	burner cap ø 70 mm 3,5 kW	BN2510601
2	105291	burner head for burner cap ø 70mm 3,5kW	BN2510600



3	105293	venturi	BN2510602
4	105294	burner holder with nozzle holder	BN2510603
5	104056	air mixing sleeve	2510140

700 (2), 900 (2) series



fig.	Part No.	description	Ref. No.
1	105281	burner cap C ø 80 mm 3,5 kW with central hole ID ø 32 mm	BN2510352
2	105280	burner head C for burner cap ø 80mm 3,5kW	BN2510351
3	104452	venturi C for burner cap ø 80mm 3,5kW	BN2510350

900 (1) series



fig.	Part No.	description	Ref. No.
1	103030	burner cap C ø 85 mm 3,5 kW	BN2510190
2	104045	burner head C for burner cap ø 85mm 5,5kW	BN2510189
3	104048	venturi C for burner cap ø 85mm 3,5kW	BN2510195



fig.	Part No.	description	Ref. No.
4	103031	burner cap D ø 115 mm 5,5 kW	BN2510193
5	104046	burner head D for burner cap ø 115mm 5,5kW	BN2510192
6	104049	venturi D for burner cap ø 115mm 5,5kW	2510201





fig.	Part No.	description	Ref. No.
7	103032	burner cap E ø 125 mm 7 kW with central hole	BN2510196
8	104047	burner head E for burner cap ø 125mm 7kW	BN2510194
9	104050	venturi E for burner cap ø 125mm 7kW	2510202

OM-GAS
universal



fig.	Part No.	description	Ref. No.
1	109079	burner cap ø 90 mm	04/99900079
2	109080	burner head for burner cap ø 90mm	04/99900049
3	104197	venturi for burner cap ø 90mm	04/99900019



fig.	Part No.	description	Ref. No.
4	109081	burner cap ø 110 mm	04/99900089
5	109082	burner head for burner cap ø 110mm	04/99900059
6	109083	venturi for burner cap ø 110mm	04/99900029



fig.	Part No.	description	Ref. No.
7	109084	burner cap ø 130 mm	04/99900099
8	109085	burner head for burner cap ø 130mm	04/99900069
9	109086	venturi for burner cap ø 130mm	04/99900039

ÖZTIRYAKILER
stockpot stoves



fig.	Part No.	description	Ref. No.
1	104195	burner ø 150mm	62670000101
2	104308	burner ø 250mm	62670000104

PALUX

Topline series (version 1)



fig.	Part No.	description	Ref. No.
1	103090	burner cap C ø 78 mm	290971
2	104207	burner head C for burner cap ø 78mm H 34mm	081574



fig.	Part No.	description	Ref. No.
3	103092	burner cap D ø 87 mm	540684
4	104208	burner head D for burner cap ø 87mm H 34mm	540668



fig.	Part No.	description	Ref. No.
5	103091	burner cap D ø 94 mm with central hole	290998
6	104089	burner head D for burner cap ø 94mm H 29mm	081582




fig.	Part No.	description	Ref. No.
7	104205	gasket C for burner head	084899
8	104206	gasket D for burner head	081582
9	104212	O-ring Viton thickness 3mm ID ø 32,5mm Qty 1 pcs	081612



fig.	Part No.	description	Ref. No.
10	104098	burner lower part	081639
11	104213	venturi C/D	540722
12	104214	air mixing tube ID ø 12mm C	540730
12	104215	air mixing tube ID ø 14mm D	540749



Topline series (version 2)



fig.	Part No.	description	Ref. No.
1	104501	burner cap C/2.3mm ø 85 mm	370312
1	104530	burner cap C/2.6mm ø 85 mm	838373
2	104500	burner head C for burner cap ø 85mm	370320
3	104502	burner lower part C for burner cap ø 85 mm hole ø 16,5 mm	370320



fig.	Part No.	description	Ref. No.
4	104506	burner cap D ø 95 mm with central hole	697397
5	104505	burner head D for burner cap ø 95mm	370614
6	104711	burner lower part D for burner cap ø 95 mm	728748



fig.	Part No.	description	Ref. No.
7	104508	burner cap E ø 115 mm with central hole	697400
8	104507	burner head E for burner cap ø 115mm	728721
9	104712	burner lower part E complete without mixing pipe	—



fig.	Part No.	description	Ref. No.
10	104511	gasket ø 72mm ID ø 45mm H 1,2mm perforation ø 5mm for burner head	371076
11	104520	air mixing tube C ø 16mm	—
12	104503	nozzle holder ID ø 8mm	380148

Proflin series



fig.	Part No.	description	Ref. No.
1	107561	burner cap ø 94 mm 5,5 kW	—
2	107559	burner head for burner cap ø 94mm 5,5kW	—
3	107557	venturi 5,5kW	—



fig.	Part No.	description	Ref. No.
4	107560	burner cap ø 114 mm 7,5 kW	—
5	107558	burner head for burner cap ø 114mm 7,5kW	—
6	107556	venturi 7,5kW	—

pan supports




fig.	Part No.	description	Ref. No.
1	210238	pan support W 300mm L 505mm	—

reducers for pan supports



fig.	Part No.	description	Ref. No.
1	210015	reducer for pan support L 250mm W 250mm SS	248215

PRIMAX



fig.	Part No.	description	Ref. No.
1	104310	burner cap 3 kW ED ø 73 mm seat ø 67 mm	32310070
2	104311	burner head 3kW for burner cap ø 73mm seat ø 67mm	32310040
3	104327	burner pipe 3kW L 93mm total length 108mm	3231010



fig.	Part No.	description	Ref. No.
4	104315	burner cap 4,5 kW ED ø 104 mm seat ø 98 mm	32310080
5	104316	burner head 4,5kW for burner cap ø 104mm	32310050
6	104328	burner pipe 4,5kW L 93mm total length 108mm	32310020



fig.	Part No.	description	Ref. No.
7	104320	burner cap 7,5 kW ED ø 128 mm ID ø 70 mm	32310090
8	104321	burner head 7,5kW for burner cap ø 128mm	32310060
9	104329	burner pipe 7,5kW L 93mm total length 108mm	32310030



REPAGAS
until 2005

fig.	Part No.	description	Ref. No.
1	104496	burner cap ø 95 mm	02100030
2	104497	burner cap ø 110 mm	00100107
3	104498	burner cap ø 115 mm	50132064

fig.	Part No.	description	Ref. No.
4	104495	burner cap ø 115 mm	00100172
5	104488	burner head ø 115mm for burner cap ø 105mm	00100171
6	104514	burner holder ø 37mm seat ø 22mm	31300021
7	104509	burner holder ø 44mm seat ø 34mm thread M18x1,5	00121077

since 2005

fig.	Part No.	description	Ref. No.
1	104492	burner cap ø 95 mm	007139
2	104493	burner cap ø 120 mm	50141088
3	104494	burner cap ø 140 mm	50142090

pan supports

fig.	Part No.	description	Ref. No.
1	210041	pan support H 18mm ø 255mm	06700038
2	210040	pan support W 365mm L 395mm H 65mm	00100110

reducers for pan supports

fig.	Part No.	description	Ref. No.
1	104499	reducer for pan support L 175mm W 114mm	00100132

RM GASTRO
600 (1) series

fig.	Part No.	description	Ref. No.
1	104286	burner cap 3 kW ø 90 mm	404000248
2	105089	burner ring 3kW for burner cap ø 90mm	404000249
3	105090	burner head 3kW for burner cap ø 90mm	404000250
1	104288	burner cap 3,6 kW ø 120 mm	404000200
2	105086	burner ring 3,6kW for burner cap ø 120mm	404000201
3	105087	burner head 3,6kW for burner cap ø 120mm	404000202
4	104289	burner lower part 3/3.6kW for burner cap ø 90/120mm	404000203

600 (2) series

fig.	Part No.	description	Ref. No.
1	104764	burner unit 4,5kW complete	404000105
2	104762	burner head for burner cap ø 83mm 4,5kW	404000112
3	104763	burner lower part for burner cap ø 83 mm 4,5 kW	404000114

fig.	Part No.	description	Ref. No.
4	104773	burner cap ø 83 mm 4,5 kW	404000111
5	104776	air mixing tube L 43,4mm ø 14mm	404000113
6	104784	nozzle holder	404520200

ROLLER GRILL

fig.	Part No.	description	Ref. No.
1	103059	burner ø 125mm for burner cap ø 124mm	E01015



ROSINOX

Era Chef series



fig.	Part No.	description	Ref. No.
1	107334	burner for burner cap ø 78mm 5kW complete	RX94034667
1	107332	burner for burner cap ø 98mm 6kW complete	RX94034675
2	107333	burner cap ø 78 mm 5 kW	RX94800257
2	108015	burner cap ø 100 mm mounting ø 97 mm	RX94800265

Chef 700 series



fig.	Part No.	description	Ref. No.
1	103069	burner cap ø 80 mm 4,3 kW with central hole	RX94800182
2	104104	burner head for burner cap ø 80mm 3,5kW	RX94800125
3	104105	burner lower part for burner cap ø 80 mm 3,5 kW	RX94806841



fig.	Part No.	description	Ref. No.
4	103070	burner cap ø 95 mm 6,4 kW with central hole	RX94800174
5	104106	burner head for burner cap ø 100mm 5,5kW for igniter	RX94800166
6	104107	burner lower part for burner cap ø 100 mm 6,4 kW	RX94806437



fig.	Part No.	description	Ref. No.
7	105300	burner cap ø 120 mm 7 kW with central hole ID ø 64 mm	—
8	106994	burner head for burner cap ø 120mm 7kW	—
9	105301	venturi for burner cap ø 120mm 7kW	—



fig.	Part No.	description	Ref. No.
10	104108	nozzle holder	—

Rosi Chef, Royal Chef, Maxi Chef series



fig.	Part No.	description	Ref. No.
1	108078	burner cap ø 98 mm mounting ø 97 mm	RX94044419
2	107195	burner head for burner cap ø 100mm 7kW H 37mm	RX94044421



fig.	Part No.	description	Ref. No.
3	107197	burner cap ø 120 mm	RX94044420
4	107196	burner head for burner cap ø 120mm 10kW H 38mm	RX94044422



fig.	Part No.	description	Ref. No.
5	107199	burner lower part for burner cap ø 100/120mm 4.5/7/10kW H 105 mm	RX94044469
6	107198	burner lower part for burner cap ø 100/120mm 4.5/7/10kW H 85 mm	RX94044423

solid tops



fig.	Part No.	description	Ref. No.
1	107055	burner type 1020 ø 80mm L 120mm complete	—
1	107056	burner type 1020 ø 80mm L 175mm complete	—
1	107057	burner type 1020 ø 80mm L 250mm complete	—



fig.	Part No.	description	Ref. No.
2	108031	burner cap ø 78 mm with central hole	—
3	108041	burner head ø 84mm seat ø 72mm with central hole	—
4	108052	nozzle holder size 4/5 thread M26x1	—
5	108064	air mixing tube size 4/5	—



SALA

fig.	Part No.	description	Ref. No.
1	103158	burner cap ø 100 mm H 16 mm suitable for SALA	R2046
2	103157	burner ø 100mm H 95mm suitable for SALA	R2034

SILKO

650 (1) series

fig.	Part No.	description	Ref. No.
1	103066	burner cap ø 80 mm	SIR0100250
2	103065	burner ring for burner cap ø 80mm	MA1032009500
3	104100	burner head for burner cap ø 80mm	SIR0100259

fig.	Part No.	description	Ref. No.
4	103068	burner cap ø 100 mm	SIR0100248
5	103067	burner ring for burner cap ø 100mm	SIR0100247
6	104102	burner head for burner cap ø 100mm	SIR0100261

fig.	Part No.	description	Ref. No.
7	106380	burner holder for burner cap ø 80mm with nozzle holder without mixing sleeve	—
7	104246	burner holder for burner cap ø 100mm with nozzle holder without mixing sleeve	—
8	106379	air mixing tube for burner cap ø 80mm L 23mm D1 ø 20mm D2 ø 15,6mm D3 ø 14mm	—
8	104247	air mixing sleeve for burner cap ø 100mm L 23mm D1 ø 20mm D2 ø 17,3mm D3 ø 15,7mm	—

700, 909, 1100 (1) series

fig.	Part No.	description	Ref. No.
1	103069	burner cap ø 80 mm 4,3 kW with central hole	SIR0100252
2	104104	burner head for burner cap ø 80mm 3,5kW	SIR0100298
3	104105	burner lower part for burner cap ø 80 mm 3,5 kW	SIR0100301

fig.	Part No.	description	Ref. No.
4	104106	burner head for burner cap ø 100mm 5,5kW for igniter	SIR0100299
5	103070	burner cap ø 95 mm 6,4 kW with central hole	SIR0100251
6	104107	burner lower part for burner cap ø 100 mm 6,4 kW	SIR0100302

fig.	Part No.	description	Ref. No.
7	105300	burner cap ø 120 mm 7 kW with central hole ID ø 64 mm	SIR0100253
8	106994	burner head for burner cap ø 120mm 7kW	SIR0100224
9	105301	venturi for burner cap ø 120mm 7kW	SIR0100303

fig.	Part No.	description	Ref. No.
10	104108	nozzle holder	SIR0100767

900 series

fig.	Part No.	description	Ref. No.
1	103071	burner cap ø 64 mm H 26 mm suitable for 900 series	CR0580010
2	103072	burner head for burner cap ø 64mm H 37mm suitable for series 900	CR0580030
3	107422	venturi for burner cap ø 64mm with pilot burner suitable for series 900	CR0586441

fig.	Part No.	description	Ref. No.
4	103064	burner cap ø 102 mm H 28 mm suitable for 900 series	CR0580020
5	103073	burner head for burner cap ø 102mm H 37mm suitable for series 900	CR0580040
6	103074	venturi for burner cap ø 102mm with pilot burner suitable for series 900	CR0586451




fig.	Part No.	description	Ref. No.
7	103083	gasket L 77mm W 69mm thickness 2mm graphite for Venturi suitable for series 900	SIR8204760
8	103075	nozzle holder \varnothing 34mm H 150mm suitable for series 900	CR0581700

reducers for pan supports

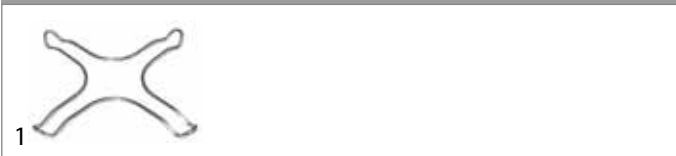


fig.	Part No.	description	Ref. No.
1	210050	reducer for pan support L 260mm W 260mm chrome-plated steel	SIR0101080
1	210001	reducer for pan support L 265mm W 265mm SS	—

SOFINOR

833 series

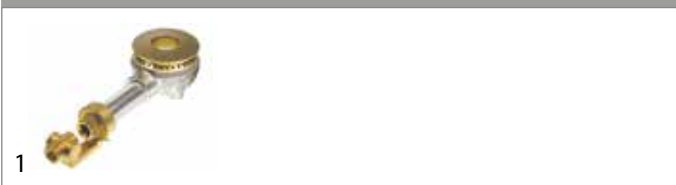


fig.	Part No.	description	Ref. No.
1	107011	burner type 833 \varnothing 80 mm L 120 mm	—
1	107038	burner type 833 \varnothing 80mm L 175mm	—
1	107039	burner type 833 \varnothing 80mm L 250mm	—



fig.	Part No.	description	Ref. No.
2	108011	burner cap type 833 \varnothing 78 mm	—
3	108040	burner head type 833 \varnothing 80mm	—
4	108052	nozzle holder size 4/5 thread M26x1	—
5	108064	air mixing tube size 4/5	—

854 series

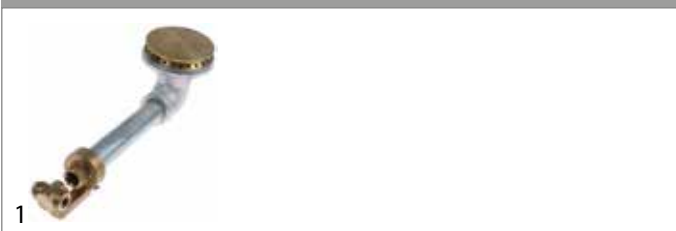


fig.	Part No.	description	Ref. No.
1	107107	burner type 854 \varnothing 80 mm L 120 mm complete	—
1	107004	burner type 854 \varnothing 80mm L 175mm complete	—
1	107005	burner type 854 \varnothing 80mm L 250mm complete	—



fig.	Part No.	description	Ref. No.
2	108004	burner cap \varnothing 78 mm mounting \varnothing 72 mm	—
3	108003	burner head for burner cap \varnothing 78mm ED \varnothing 83mm	—
4	108055	burner lower part size 4/5 thread M26x1.75	—
5	108088	nozzle holder	—
6	108064	air mixing tube size 4/5	—

861 series



fig.	Part No.	description	Ref. No.
1	107009	burner type 861 \varnothing 80 mm L 185 mm complete	—
1	107010	burner type 861 \varnothing 80mm L 245mm complete	—



fig.	Part No.	description	Ref. No.
2	108010	burner cap \varnothing 78 mm	—
3	108003	burner head for burner cap \varnothing 78mm ED \varnothing 83mm	—
4	108056	burner lower part size 6	—
5	108054	nozzle holder size 6 thread M34x1,5	—
6	108065	air mixing tube size 6	—

869 series



fig.	Part No.	description	Ref. No.
1	107002	burner type 869 \varnothing 80mm L 120mm complete series 869	—
1	107051	burner type 869 \varnothing 80mm L 175mm complete	—



fig.	Part No.	description	Ref. No.
2	108031	burner cap \varnothing 78 mm with central hole	—
3	108040	burner head type 833 \varnothing 80mm	—
4	108052	nozzle holder size 4/5 thread M26x1	—
5	108064	air mixing tube size 4/5	—



1025 series

fig.	Part No.	description	Ref. No.
1	107021	burner type 1025 ø 120mm L 225mm complete	—
2	107094	burner type 1025 L 285mm complete	—
3	108008	burner cap ø 120 mm with central hole	—

fig.	Part No.	description	Ref. No.
2	108004	burner cap ø 78 mm mounting ø 72 mm	—
3	108003	burner head for burner cap ø 78mm ED ø 83mm	—
4	108055	burner lower part size 4/5 thread M26x1.75	—
5	108088	nozzle holder	—
6	108064	air mixing tube size 4/5	—

SOGET

70, 90, 110 series

fig.	Part No.	description	Ref. No.
1	104618	burner cap	330700
2	104616	burner head for burner cap ø 78mm	330406

861 series

fig.	Part No.	description	Ref. No.
1	107009	burner type 861 ø 80 mm L 185 mm complete	—
1	107010	burner type 861 ø 80mm L 245mm complete	—

fig.	Part No.	description	Ref. No.
3	104621	burner cap	330701
4	104614	burner cap ø 150 mm wok burner	330703
5	104620	burner head for burner cap ø 135mm ø 137mm overall height 134mm seat ø 26,8mm H 27mm	330407

fig.	Part No.	description	Ref. No.
2	108010	burner cap ø 78 mm	—
3	108003	burner head for burner cap ø 78mm ED ø 83mm	—
4	108056	burner lower part size 6	—
5	108054	nozzle holder size 6 thread M34x1,5	—
6	108065	air mixing tube size 6	—

fig.	Part No.	description	Ref. No.
6	104613	air mixing tube	225603
7	104619	nozzle holder	340116

862 series

fig.	Part No.	description	Ref. No.
1	107119	burner type 862 ø 100 mm L 185 mm complete	—
1	107120	burner type 862 ø 100mm L 245mm complete	—

SOLYMAC

854 series

fig.	Part No.	description	Ref. No.
1	107107	burner type 854 ø 80 mm L 120 mm complete	—
1	107004	burner type 854 ø 80mm L 175mm complete	—
1	107005	burner type 854 ø 80mm L 250mm complete	—

fig.	Part No.	description	Ref. No.
2	108078	burner cap ø 98 mm mounting ø 97 mm	—
3	108014	burner head ø 100mm seat ø 97mm	—
4	108056	burner lower part size 6	—
5	108054	nozzle holder size 6 thread M34x1,5	—





fig.	Part No.	description	Ref. No.
6	108065	air mixing tube size 6	—

pan supports




fig.	Part No.	description	Ref. No.
1	210025	pan support W 320mm L 320mm	P161
2	210033	pan support W 320mm L 320mm	P161832

STAR (INDESIT)

600 series



fig.	Part No.	description	Ref. No.
1	105903	burner cap ø 69 mm	C00047837
2	105901	burner ring for burner cap ø 69mm	C00047835
3	105900	burner head for burner cap ø 69mm	C00056071



fig.	Part No.	description	Ref. No.
4	105904	burner cap ø 89 mm	C00049696
5	105902	burner ring for burner cap ø 89mm	C00059001
6	105898	burner head for burner cap ø 89mm	C00061136




fig.	Part No.	description	Ref. No.
7	105899	burner holder with nozzle holder	C00056386

miscellaneous



fig.	Part No.	description	Ref. No.
1	107697	burner cap 1 kW ø 50 mm matt finish	C00064918
2	107376	burner head 1kW for igniter ø 6mm for burner cap ø 50mm	C00052930
3	107375	burner lower part 1 kW for igniter ø 6 mm for thermocouple ø 6 mm without nozzle	C00052927



fig.	Part No.	description	Ref. No.
4	107373	burner cap 1,8 kW ø 75 mm matt finish	C00064919
5	104271	burner head 1,8kW for burner cap ø 75mm	C00052929
6	107372	burner lower part 1,8 kW for igniter ø 6 mm for thermocouple ø 6 mm without nozzle	C00052926



fig.	Part No.	description	Ref. No.
7	107374	burner cap 3 kW ø 100 mm H 3,5 mm matt finish	C00064920
8	105058	burner head 3kW for igniter ø 6mm for burner cap ø 100mm	C00052928
9	105059	burner lower part 3 kW for igniter ø 6 mm for thermocouple ø 6 mm without nozzle	C00052925



fig.	Part No.	description	Ref. No.
10	107378	burner cap 3,6 kW ø 61 mm H 6,5 mm mounting position inner matt finish	C00064922
11	107377	burner cap 3,6 kW ø 131 mm H 4 mm mounting position outer matt finish	C00064921
12	105065	burner head 3,6kW for burner cap ø 61/131mm	—

STAR 10

600 series



fig.	Part No.	description	Ref. No.
1	103066	burner cap ø 80 mm	068098
2	103065	burner ring for burner cap ø 80mm	068099
3	104100	burner head for burner cap ø 80mm	068085



fig.	Part No.	description	Ref. No.
4	103068	burner cap ø 100 mm	068067
5	103067	burner ring for burner cap ø 100mm	068070
6	104102	burner head for burner cap ø 100mm	068064

fig.	Part No.	description	Ref. No.
7	106380	burner holder for burner cap ø 80mm with nozzle holder without mixing sleeve	—
7	104246	burner holder for burner cap ø 100mm with nozzle holder without mixing sleeve	—
8	106379	air mixing tube for burner cap ø 80mm L 23mm D1 ø 20mm D2 ø 15,6mm D3 ø 14mm	—
8	104247	air mixing sleeve for burner cap ø 100mm L 23mm D1 ø 20mm D2 ø 17,3mm D3 ø 15,7mm	—

650 series

fig.	Part No.	description	Ref. No.
1	105029	burner cap ø 80 mm	—
2	105030	burner ring for burner cap ø 80mm	—
3	105880	burner head for burner cap ø 80mm	069113
4	105038	gasket for burner cap ø 80mm	—

fig.	Part No.	description	Ref. No.
5	105032	burner lower part for burner cap ø 80 mm with Venturi	006912

fig.	Part No.	description	Ref. No.
6	105018	burner cap ø 100 mm seat ø 75 mm	069201/A
7	105019	burner ring for burner cap ø 100mm	—
8	105031	gasket ø 80mm for burner cap ø 100mm ID ø 56mm thickness 2mm fibre	—

fig.	Part No.	description	Ref. No.
9	105034	burner lower part for burner cap ø 100 mm with Venturi	006911 alt
10	105033	nozzle holder	—

700 series

fig.	Part No.	description	Ref. No.
1	105879	burner cap ø 80 mm	—
2	105030	burner ring for burner cap ø 80mm	—
3	105038	gasket for burner cap ø 80mm	—

fig.	Part No.	description	Ref. No.
4	105881	burner lower part for burner cap ø 80 mm	069112
5	105032	burner lower part for burner cap ø 80 mm with Venturi	006912

fig.	Part No.	description	Ref. No.
6	105010	burner cap ø 100 mm seat ø 75 mm	069201
7	105016	burner head for burner cap ø 100mm	069111
8	105031	gasket ø 80mm for burner cap ø 100mm ID ø 56mm thickness 2mm fibre	—

fig.	Part No.	description	Ref. No.
9	105017	burner lower part ø 100 mm	069110
10	105034	burner lower part for burner cap ø 100 mm with Venturi	006911

fig.	Part No.	description	Ref. No.
11	105020	venturi	—

TECNOINOX

650 (1) series

fig.	Part No.	description	Ref. No.
1	104286	burner cap 3 kW ø 90 mm	RC00373000
2	104285	burner ring ø 90mm for burner cap ø 90mm	RC00372000
1	104288	burner cap 3,6 kW ø 120 mm	RC00375000
2	104287	burner ring for burner cap ø 120mm	RC00374000
3	104289	burner lower part 3/3.6kW for burner cap ø 90/120mm	RC00377000



650 (2) series



fig.	Part No.	description	Ref. No.
1	105376	burner cap ø 110 mm	RC00967000
2	105377	burner head for burner cap ø 110mm	RC00968000
3	105378	burner holder	RC00976000
4	105379	air mixing tube	RC00969000

700 series



fig.	Part No.	description	Ref. No.
1	105386	burner cap ø 75 mm 3,3 kW	RC01151000
2	105387	burner head for burner cap ø 75mm 3,3kW	RC01148000
3	105388	venturi suitable for burner 3,3kW	RC01138000
4	105389	air mixing tube L 44mm ø 16mm suitable for burner 3,3kW	RC01141000



fig.	Part No.	description	Ref. No.
5	105390	burner cap ø 110 mm 4,5 kW	RC01150000
6	105391	burner head for burner cap ø 110mm 4,5kW	RC01147000
7	105392	venturi suitable for burner 4,5kW	RC01139000
8	105393	air mixing tube H 44mm ø 20mm suitable for burner 4,5kW	RC01142000



fig.	Part No.	description	Ref. No.
9	105394	burner cap ø 130 mm 7,2 kW with central hole	RC01149000
10	105395	burner head for burner cap ø 130mm 7,2kW	RC01146000
11	105396	venturi suitable for burner 7,2kW	RC01137000
12	105397	air mixing tube H 57mm ø 22mm suitable for burner 7,2kW	RC01143000

pan supports

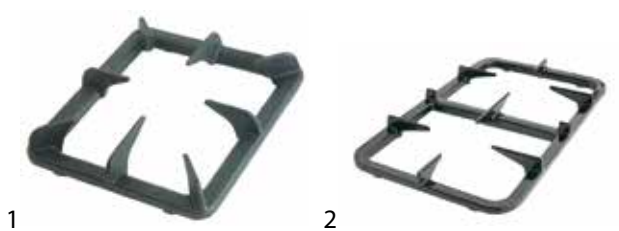


fig.	Part No.	description	Ref. No.
1	210182	pan support W 285mm L 315mm	RC01144000
2	210155	pan support W 320mm L 530mm	RC00376000

reducers for pan supports



fig.	Part No.	description	Ref. No.
1	210050	reducer for pan support L 260mm W 260mm chrome-plated steel	—
1	210001	reducer for pan support L 265mm W 265mm SS	—

THERMA

Thermaline S90 series



fig.	Part No.	description	Ref. No.
1	104540	burner cap C ø 83 mm 3,5 kW	17012726
2	104500	burner head C for burner cap ø 85mm	17012723
3	104707	burner lower part C complete	17012729



fig.	Part No.	description	Ref. No.
4	104460	burner cap D ø 94 mm 5 kW with central hole	17012727
5	104505	burner head D for burner cap ø 95mm	17012724
6	104708	burner lower part D complete	17012730



fig.	Part No.	description	Ref. No.
7	104542	burner cap E ø 114 mm mounting ø 105 mm ID ø 45 mm 7 kW with central hole bore ø 3 mm	17012728
8	104507	burner head E for burner cap ø 115mm	17012725
9	104709	burner lower part E complete	17012731



fig.	Part No.	description	Ref. No.
10	104511	gasket ø 72mm ID ø 45mm H 1,2mm perforation ø 5mm for burner head	17012722
11	104522	nozzle holder ID ø 10mm ET M17x1	17012721



Thermaline 800/900, Starline series

fig.	Part No.	description	Ref. No.
1	104744	burner cap 3,5 kW ø 53 mm	19012600
2	104750	burner head 3,5kW for burner cap ø 53mm suitable for simmering plate	19012925

fig.	Part No.	description	Ref. No.
3	104746	burner cap 5,6 kW ø 78 mm	19012601
4	104751	burner head for burner cap ø 78mm 5,6kW	19012619
5	104769	burner head for burner cap ø 78mm 5,6kW grill/griddle plate	19013008

fig.	Part No.	description	Ref. No.
6	104748	burner cap 8,4 kW ø 103 mm	19012602
7	104749	burner head for burner cap ø 103mm 8,4kW	19012612

fig.	Part No.	description	Ref. No.
8	105988	burner cap ø 40 mm 7 kW mounting position inner	19012942
9	105990	burner cap ø 103 mm 7 kW with central hole mounting position outer	19012941
10	105989	burner head for burner cap ø 40/103mm 7kW	19012946

fig.	Part No.	description	Ref. No.
11	104753	nozzle holder	19012711
12	106248	air mixing tube ID ø 15mm	19012588
12	106249	air mixing tube ID ø 17mm	19012587

THIELMANN

HG series

fig.	Part No.	description	Ref. No.
1	105873	burner cap C ø 94 mm with central hole	144340
2	105871	burner head C	193466

fig.	Part No.	description	Ref. No.
3	105874	burner cap D/E ø 94 mm with central hole	540487
4	105870	burner head D	193467
5	105869	burner head E	193468

THIRODE

833 series

fig.	Part No.	description	Ref. No.
1	107011	burner type 833 ø 80 mm L 120 mm	—
1	107038	burner type 833 ø 80mm L 175mm	—
1	107039	burner type 833 ø 80mm L 250mm	301004

fig.	Part No.	description	Ref. No.
2	108011	burner cap type 833 ø 78 mm	303001
3	108040	burner head type 833 ø 80mm	311138
4	108052	nozzle holder size 4/5 thread M26x1	—
5	108064	air mixing tube size 4/5	—

861 series

fig.	Part No.	description	Ref. No.
1	107009	burner type 861 ø 80 mm L 185 mm complete	99013752
1	107010	burner type 861 ø 80mm L 245mm complete	—




fig.	Part No.	description	Ref. No.
2	108010	burner cap ø 78 mm	—
3	108003	burner head for burner cap ø 78mm ED ø 83mm	75496
4	108056	burner lower part size 6	—
5	108054	nozzle holder size 6 thread M34x1,5	—
6	108065	air mixing tube size 6	—

ZANUSSI

600 series



fig.	Part No.	description	Ref. No.
1	104286	burner cap 3 kW ø 90 mm	004973
2	104285	burner ring ø 90mm for burner cap ø 90mm	004972
1	104288	burner cap 3,6 kW ø 120 mm	004975
2	104287	burner ring for burner cap ø 120mm	004974
3	104289	burner lower part 3/3.6kW for burner cap ø 90/120mm	004977

700 (version 1), R701, MD700, PR700 series



fig.	Part No.	description	Ref. No.
1	105232	burner cap ø 70 mm	002442
2	105008	burner ring for burner cap ø 70mm	056747
3	105231	burner head for burner cap ø 70mm	054091
3	107229	burner head for burner cap ø 70mm	004238



fig.	Part No.	description	Ref. No.
4	105012	burner cap ø 100 mm	002443
5	105011	burner ring for burner cap ø 100mm	056748
6	105233	burner head for burner cap ø 100mm	054092
6	107230	burner head for burner cap ø 100mm	004239




fig.	Part No.	description	Ref. No.
7	105270	gasket for burner cap ø 70mm	054093
7	105271	gasket for burner cap ø 100mm	054094
8	105056	air mixing sleeve L 43mm ED ø 43mm ID ø 40mm aluminium	053448

H900 series




fig.	Part No.	description	Ref. No.
1	105002	burner cap ø 83 mm chrome-plated	058185
2	105001	burner lower part ø 84 mm for burner cap ø 83 mm	058182



fig.	Part No.	description	Ref. No.
3	105004	burner cap ø 102 mm	058186
4	105003	burner lower part ø 103 mm for burner cap ø 102 mm	058183



fig.	Part No.	description	Ref. No.
5	105006	burner cap ø 122 mm with central hole	058187
6	105712	burner head for burner cap ø 122mm	052118




fig.	Part No.	description	Ref. No.
7	105055	air mixing sleeve L 40mm ED ø 43mm ID ø 40mm aluminium	052116



HD900 series



fig.	Part No.	description	Ref. No.
1	105002	burner cap ø 83 mm chrome-plated	058185
2	105235	burner head ø 163mm for burner cap ø 83mm	002461
3	105237	venturi for burner cap ø 83mm	002458



fig.	Part No.	description	Ref. No.
4	105004	burner cap ø 102 mm	058186
5	105238	burner head for burner cap ø 102mm	002462
6	105240	venturi for burner cap ø 102mm	002459



fig.	Part No.	description	Ref. No.
7	105006	burner cap ø 122 mm with central hole	058187
8	105241	burner head for burner cap ø 122mm	002463
9	105243	venturi for burner cap ø 122mm	002460



fig.	Part No.	description	Ref. No.
10	105244	spacer piece for Venturi	002197
11	105055	air mixing sleeve L 40mm ED ø 43mm ID ø 40mm aluminium	052116

N700, N900 series



fig.	Part No.	description	Ref. No.
1	104554	burner cap ø 62 mm 6 kW	0C0129
2	104555	burner head for burner cap ø 62mm 6kW	0C0127
3	104556	venturi for burner cap ø 62mm 6kW	0C0125



fig.	Part No.	description	Ref. No.
4	104558	burner cap ø 100 mm 10 kW	0C0128
5	104559	burner head ø 99mm for burner cap ø 100mm 10kW H 25mm seat ø 46,5mm	0C0126
6	104560	venturi for burner cap ø 100mm 10kW	0C0133

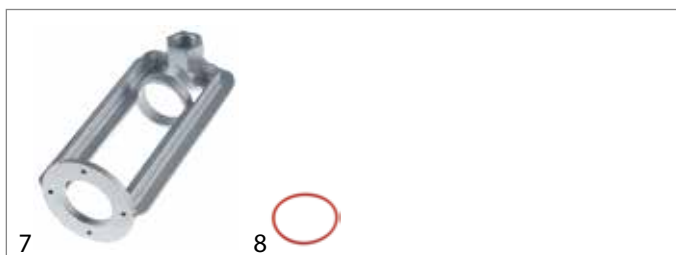


fig.	Part No.	description	Ref. No.
7	104557	burner holder	0C0124
8	532505	O-ring silicone thickness 1,78mm ID ø 33,05mm Qty 1 pcs	0C0188

SL90, Stratos850/900, Janus1100 series



fig.	Part No.	description	Ref. No.
1	103087	burner cap D ø 95 mm with central hole	0H6320
2	104028	burner head D for burner cap ø 95mm	0H6340
3	104043	burner lower part D for burner cap ø 95 mm	0H7155



fig.	Part No.	description	Ref. No.
4	103088	burner cap E ø 115 mm with central hole	0H6321
5	104029	burner head E for burner cap ø 115mm	0H6341
6	104044	burner lower part E for burner cap ø 115 mm	0G1811



fig.	Part No.	description	Ref. No.
7	103007	O-ring Viton thickness 5mm ID ø 42,5mm Qty 1 pcs	0H6863



900, N900, HD900, Janus1100 solid tops series



fig.	Part No.	description	Ref. No.
1	105026	burner cap ø 180 mm with central hole	052377
2	105024	burner head for burner cap ø 180mm	052376



fig.	Part No.	description	Ref. No.
3	104743	burner head for burner cap ø 180mm with venturi	059374
4	105025	cover ø 80mm solid top range	052374
5	104572	bracket for gas burner	052500

pan supports



fig.	Part No.	description	Ref. No.
1	210027	pan support W 284mm L 386mm H 51mm suitable for ELECTROLUX, ZANUSSI	0C2526
2	210138	pan support W 285mm L 345mm	002436

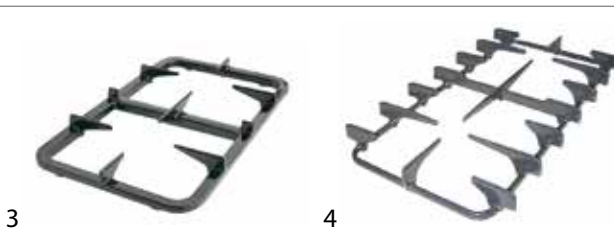


fig.	Part No.	description	Ref. No.
3	210155	pan support W 320mm L 530mm	004976
4	210148	pan support W 340mm L 595mm	002446



fig.	Part No.	description	Ref. No.
5	210146	pan support W 350mm L 390mm	002437
6	210208	pan support W 370mm L 380mm	0C0132

reducers for pan supports



fig.	Part No.	description	Ref. No.
1	210050	reducer for pan support L 260mm W 260mm chrome-plated steel	—
1	210001	reducer for pan support L 265mm W 265mm SS	025056

spillage trays



fig.	Part No.	description	Ref. No.
1	210205	spillage tray L 345 mm W 360 mm ø 105 mm	052102
1	210206	spillage tray L 360 mm W 345 mm ø 122 mm	052103
1	210207	spillage tray L 360 mm W 345 mm ø 145 mm	052104

solid tops



fig.	Part No.	description	Ref. No.
1	211052	solid top ø 223mm H 26mm suitable for ZANUSSI	—

various



fig.	Part No.	description	suitable for	Ref. No.
1	103099	burner 9,5kW complete suitable for wok range	—	—

accessories

reducers for pan supports

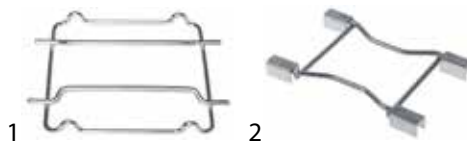


fig.	Part No.	description	suitable for
1	210014	reducer for pan support L 155mm W 140mm suitable for B burner	Electrolux Juno
2	104499	reducer for pan support L 175mm W 114mm	Iberital-Macchine Repagas



fig.	Part No.	description	suitable for
3	210011	reducer for pan support L 175mm W 150mm	MBM-Italia
4	210012	reducer for pan support L 180mm W 180mm	MBM-Italia

fig.	Part No.	description	suitable for
5	210005	reducer for pan support L 205mm W 205mm	Angelo-Po
6	210007	reducer for pan support L 205mm W 205mm	Ambach

fig.	Part No.	description	suitable for
7	210008	reducer for pan support L 205mm W 205mm	Ambach
8	210015	reducer for pan support L 250mm W 250mm SS	MKN Palux
8	210050	reducer for pan support L 260mm W 260mm chrome-plated steel	EKU GIGA Lotus MBM-Italia Offcar Silko
8	210001	reducer for pan support L 265mm W 265mm SS	Alpeninox Capic Electrolux Gico Heidebrenner Juno Lotus Mareno Rosinox Silko Zanussi

fig.	Part No.	description	suitable for
9	210006	reducer for pan support L 385mm W 190mm	Angelo-Po
10	210018	reducer for pan support ø 160mm	Lotus

fig.	Part No.	description	suitable for
11	210017	reducer for pan support ø 190mm	Küppersbusch
12	109052	reducer for pan support ø 240mm	Fagor

fig.	Part No.	description	suitable for
13	210178	reducer for pan support ø 340mm ring ø 190mm foot length 75mm cast iron suitable for wok range	Casta

pan supports

Ambach

fig.	Part No.	description	Ref. No.
1	210106	pan support W 325 mm L 395 mm H 40 mm SS for 850	5010110315

Angelo-Po

fig.	Part No.	description	Ref. No.
1	210101	pan support W 315mm L 315mm for 700	36A2600
2	210247	pan support W 345mm L 585mm	36A4971

fig.	Part No.	description	Ref. No.
3	210261	pan support W 365mm L 395mm H 75mm	36A2002
4	210179	pan support W 370mm L 370mm	36A2610

Baron

fig.	Part No.	description	Ref. No.
1	210212	pan support W 272mm L 395mm H 65mm	BN41822410390
1	210213	pan support W 345mm L 345mm	BN822410400
2	210051	pan support W 580mm L 390mm H 70mm SS series 700	BN41826330160



Bertos

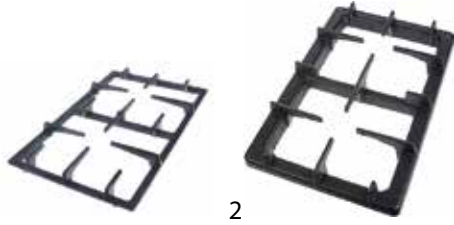


fig.	Part No.	description	Ref. No.
1	210263	pan support W 360mm L 578mm	31858100
2	210252	pan support W 365mm L 580mm	31856200



fig.	Part No.	description	Ref. No.
3	210215	pan support W 390mm L 390mm	35856500

Bourgeois




fig.	Part No.	description	Ref. No.
1	210025	pan support W 320mm L 320mm	GRIL3001
2	210033	pan support W 320mm L 320mm	GRIL3004

Casta



fig.	Part No.	description	Ref. No.
1	210170	pan support ø 370mm suitable for wok range	01/99900019

Cooking-Systems



fig.	Part No.	description	Ref. No.
1	210029	pan support W 347mm L 397mm H 43mm suitable for MACFRIN	31440000

Cookmax



fig.	Part No.	description	Ref. No.
1	210193	pan support ø 275mm	GS2720
2	210212	pan support W 272mm L 395mm H 65mm	41822410390




fig.	Part No.	description	Ref. No.
3	210151	pan support W 295mm L 545mm gas range	1032101101
4	210150	pan support W 340mm L 545mm	1032101001




fig.	Part No.	description	Ref. No.
5	210051	pan support W 580mm L 390mm H 70mm SS type series 700	826330160

EKU




fig.	Part No.	description	Ref. No.
1	210151	pan support W 295mm L 545mm gas range	1-W-645
2	210150	pan support W 340mm L 545mm	1-W-644

Electrolux




fig.	Part No.	description	Ref. No.
1	210027	pan support W 284mm L 386mm H 51mm suitable for ELECTROLUX, ZANUSSI	0C2526
2	210138	pan support W 285mm L 345mm	002436

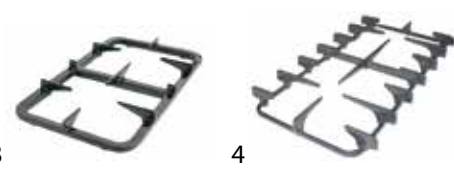


fig.	Part No.	description	Ref. No.
3	210155	pan support W 320mm L 530mm	004976
4	210148	pan support W 340mm L 595mm	002446







fig.	Part No.	description	Ref. No.
5	210131	pan support W 345mm L 800mm C-C/C-D/D-E burner	0K1983
6	210146	pan support W 350mm L 390mm	002437



fig.	Part No.	description	Ref. No.
7	210208	pan support W 370mm L 380mm	0C0132

Fagor





fig.	Part No.	description	Ref. No.
1	109705	pan support W 310mm L 345mm H 50mm suitable for FAGOR black, varnished	12016228
2	109069	pan support W 310mm L 348mm H 54mm suitable for FAGOR cast iron	12009419






fig.	Part No.	description	Ref. No.
3	109702	pan support W 310mm L 350mm suitable for FAGOR for burner cap ø 100mm	12016262
3	109701	pan support W 310mm L 350mm suitable for FAGOR for burner cap ø 120mm	12016263
4	109716	pan support W 345mm L 425mm	12007691

Falcon






fig.	Part No.	description	Ref. No.
1	210045	pan support W 295mm L 560mm H 31mm suitable for FALCON	535400130
2	210048	pan support W 295mm L 560mm H 37mm mounting position centre	534100020



fig.	Part No.	description	Ref. No.
3	210047	pan support W 295mm L 560mm H 37mm mounting position left/right	534100010

GIGA




fig.	Part No.	description	Ref. No.
1	210245	pan support W 370mm L 580mm	1550Y63000

Juno




fig.	Part No.	description	Ref. No.
1	210131	pan support W 345mm L 800mm C-C/C-D/D-E burner	0K1983

Krefft




fig.	Part No.	description	Ref. No.
1	210150	pan support W 340mm L 545mm	41-1032101000

Lotus



fig.	Part No.	description	Ref. No.
1	210032	pan support W 270mm L 340mm H 47mm	532005901

Macfrin



fig.	Part No.	description	Ref. No.
1	210029	pan support W 347mm L 397mm H 43mm suitable for MACFRIN	3144

Mareno






fig.	Part No.	description	Ref. No.
1	210019	pan support W 290mm L 345mm gas range suitable for series 700	MACM018402
2	210151	pan support W 295mm L 545mm gas range	MA1032101101



3	4		
fig.	Part No.	description	Ref. No.
3	210150	pan support W 340mm L 545mm	MA1032101001
4	210102	pan support W 340mm L 605mm for 700	MA1700112

5	6		
fig.	Part No.	description	Ref. No.
5	210000	pan support W 345mm L 345mm gas range suitable for series 900 suitable for MARENO	MACM018501
6	210103	pan support W 350mm L 400mm mounting position rear for 900	MA1316622

7			
fig.	Part No.	description	Ref. No.
7	210104	pan support W 400mm L 430mm for 900	MA1316522

MBM-Italia

1	2		
fig.	Part No.	description	Ref. No.
1	210174	pan support W 285mm L 505mm	RTCU600019
2	210175	pan support W 300mm L 335mm	RTCU700274

3			
fig.	Part No.	description	Ref. No.
3	210176	pan support W 365mm L 415mm H 50mm	174189

MKN

1	2		
fig.	Part No.	description	Ref. No.
1	210227	pan support W 275mm L 350mm	201877
2	210228	pan support W 350mm L 350mm H 35mm	201878

Modular

1	2		
fig.	Part No.	description	Ref. No.
1	210114	pan support ø 380mm suitable for wok range	38100200
2	210115	pan support ø 380mm suitable for wok range	38100100

3	4		
fig.	Part No.	description	Ref. No.
3	210132	pan support W 340mm L 570mm suitable for series 700	681.008.14
4	210137	pan support W 400mm L 400mm suitable for series 900	68101900

Morice

1	2		
fig.	Part No.	description	Ref. No.
1	107100	pan support W 300mm L 330mm	PQ8755
2	107101	pan support W 330mm L 440mm	GI9036


3			
fig.	Part No.	description	Ref. No.
3	107102	pan support W 330mm L 440mm	PQ0757

Multi

1	2		
fig.	Part No.	description	Ref. No.
1	210132	pan support W 340mm L 570mm suitable for series 700	681008
2	210137	pan support W 400mm L 400mm suitable for series 900	681019

Nayati


1	2		
fig.	Part No.	description	Ref. No.
1	210193	pan support ø 275mm	GS2720
2	210214	pan support W 287mm L 350mm	GS4024

3

fig.	Part No.	description	Ref. No.
3	210238	pan support W 300mm L 505mm	PD9614

Olis



1 2

fig.	Part No.	description	Ref. No.
1	210151	pan support W 295mm L 545mm gas range	MA1032101101
2	210150	pan support W 340mm L 545mm	MA1032101001


Rosinox



1

fig.	Part No.	description	Ref. No.
1	210264	pan support W 307mm L 388mm H 36mm	RX94070427


Silko



1 2

fig.	Part No.	description	Ref. No.
1	210151	pan support W 295mm L 545mm gas range	MA1032101101
2	210150	pan support W 340mm L 545mm	MA1032101001


Solymac



1 2

fig.	Part No.	description	Ref. No.
1	210025	pan support W 320mm L 320mm	P161
2	210033	pan support W 320mm L 320mm	P161832


Tecnoinox



1 2

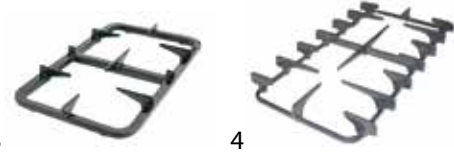
fig.	Part No.	description	Ref. No.
1	210182	pan support W 285mm L 315mm	RC01144000
2	210155	pan support W 320mm L 530mm	RC00376000

Zanussi



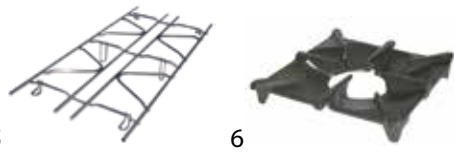
1 2

fig.	Part No.	description	Ref. No.
1	210027	pan support W 284mm L 386mm H 51 mm suitable for ELECTROLUX, ZANUSSI	0C2526
2	210138	pan support W 285mm L 345mm	002436



3 4

3	210155	pan support W 320mm L 530mm	004976
4	210148	pan support W 340mm L 595mm	002446



5 6

fig.	Part No.	description	Ref. No.
5	210131	pan support W 345mm L 800mm C-C/C-D/D-E burner	0K1983
6	210146	pan support W 350mm L 390mm	002437



7

fig.	Part No.	description	Ref. No.
7	210208	pan support W 370mm L 380mm	0C0132

spillage trays



1 2

fig.	Part No.	description	suitable for
1	109703	spillage tray L 340 mm W 310 mm H 38 mm ø 115 mm for burner cap ø 100 mm	Fagor
1	109704	spillage tray L 340 mm W 310 mm H 41 mm ø 130 mm for burner cap ø 120 mm	Fagor
2	210205	spillage tray L 345 mm W 360 mm ø 105 mm	Electrolux Zanussi
2	210206	spillage tray L 360 mm W 345 mm ø 122 mm	Electrolux Zanussi
2	210207	spillage tray L 360 mm W 345 mm ø 145 mm	Electrolux Zanussi




fig.	Part No.	description	suitable for
3	109706	spillage tray L 405 mm W 348 mm H 50 mm for burner cap ø 100 mm	Fagor
3	109721	spillage tray L 405 mm W 348 mm H 50 mm for burner cap ø 120 mm	Fagor
4	109710	spillage tray L 420 mm W 344 mm H 39 mm ø 115 mm for burner cap ø 100 mm	Fagor
4	109711	spillage tray L 420 mm W 344 mm H 45 mm ø 140 mm for burner cap ø 120 mm	Fagor



fig.	Part No.	description	suitable for
5	109127	spillage tray L 430 mm W 318 mm H 42 mm ø 140 mm hole ø 6 mm hole distance 303 mm	Morice
6	210220	spillage tray L 560 mm W 330 mm H 60 mm ø 85 mm hole ø 85 mm hole distance 285 mm stainless steel	Nayati

simmering plates



fig.	Part No.	description	suitable for
1	109088	simmer plate L 343mm W 310mm H 32mm for gas range	Fagor
2	109700	simmer plate L 345mm W 310mm H 40mm	Fagor




fig.	Part No.	description	suitable for
3	109709	simmer plate L 420mm W 345mm H 25mm	Fagor

bar burners

bar burners

Ambach




fig.	Part No.	application	ø (mm)	L (mm)	W (mm)	H (mm)	Ref. No.
1	104167	griddle	50	428	-	-	5016908868
2	104149	griddle	-	430	28	42	5016907865
3	104411	kettle	50	520	-	-	5016914562




fig.	Part No.	application	ø (mm)	L (mm)	W (mm)	H (mm)	Ref. No.
4	104400	pasta cooker	50	465	-	-	5016914275
5	104396	solid top	50	460	-	-	5016914277
6	104165	griddle	-	500	28	42	5016901907

Angelo-Po



fig.	Part No.	application	ø (mm)	L (mm)	W (mm)	H (mm)	Ref. No.
1	105502	convection oven	50	424	-	-	34A1690
2	105374	kettle	50	510	-	-	34A0810
3	104760	chargrill	-	370	200	45	34A2521




fig.	Part No.	application	ø (mm)	L (mm)	W (mm)	H (mm)	Ref. No.
4	105335	oven	-	605	247	-	34A1520
5	105337	oven	-	765	345	-	34A1880

Anitec




fig.	Part No.	application	ø (mm)	L (mm)	W (mm)	H (mm)	Ref. No.
1	105102	oven	27	418	-	-	X68046

Ascobloc



fig.	Part No.	application	ø (mm)	L (mm)	W (mm)	H (mm)	Ref. No.
1	104156	chargrill	-	435	205	50	10/1409
2	105260	griddle	-	450	300	50	10/1427
3	104151	bain marie	50	358	-	-	10/1431



Baron

fig.	Part No.	application	ø (mm)	L (mm)	W (mm)	H (mm)	Ref. No.
1	105436	gas range	50	608	-	-	BN2510697
2	105523	pasta cooker	50	475	-	-	MACM088100
3	104240	chargrill	40	400	-	-	MA1031501000

Bertos

fig.	Part No.	application	ø (mm)	L (mm)	W (mm)	H (mm)	Ref. No.
1	105789	convection oven	50	618	-	-	1361
2	107568	friddle	-	500	45	55	31772000
3	105255	griddle	-	490	41	34	22275800

fig.	Part No.	application	ø (mm)	L (mm)	W (mm)	H (mm)	Ref. No.
4	105686	bain marie	-	440	225	50	BN41826390120
5	105687	chargrill	-	370	220	50	BN4185322010923
6	104156	chargrill	-	435	205	50	MA1828112

fig.	Part No.	application	ø (mm)	L (mm)	W (mm)	H (mm)	Ref. No.
4	105788	convection oven	50	483	-	-	25277500
5	105102	oven	27	418	-	-	22275300
6	105202	chargrill	-	430	200	45	31278400

fig.	Part No.	application	ø (mm)	L (mm)	W (mm)	H (mm)	Ref. No.
7	105475	chargrill	-	575	225	45	4185322006438
8	105684	griddle	-	437	220	144	BN41826390023
9	103155	chargrill	-	610	280	60	BN2519270

fig.	Part No.	application	ø (mm)	L (mm)	W (mm)	H (mm)	Ref. No.
7	105260	griddle	-	450	300	50	22276300

fig.	Part No.	application	ø (mm)	L (mm)	W (mm)	H (mm)	Ref. No.
10	105695	tilting bratt pan	-	510	620	50	BN826390063
11	105697	kettle	50	450	-	-	BN41853310053
12	105779 ¹	gas range	50	440	-	-	BN3104840

Bonnet

fig.	Part No.	application	ø (mm)	L (mm)	W (mm)	H (mm)	Ref. No.
1	104732		50	350	-	-	141610
2	104733		50	490	-	-	141613

¹for ovens with 20 grids

Bourgeois

fig.	Part No.	application	ø (mm)	L (mm)	W (mm)	H (mm)	Ref. No.
1	104470	chargrill	-	430	250	185	BRUL3025
2	104469	chargrill	-	435	250	64	BRUL3031
3	104471	chargrill	-	580	250	63	BRUL3027



fig.	Part No.	application	ø (mm)	L (mm)	W (mm)	H (mm)	Ref. No.
4	104473	gril	-	485	200	150	BRUL3026
5	104472	griddle	-	525	280	124	BRUL3023
6	104474	gril	-	430	370	190	BRUL3024

Capic

fig.	Part No.	application	ø (mm)	L (mm)	W (mm)	H (mm)	Ref. No.
1	109104	fryer	50	495	-	-	G203005
2	109103	fryer	50	650	-	-	G203015

CB

fig.	Part No.	application	ø (mm)	L (mm)	W (mm)	H (mm)	Ref. No.
1	105958	chargrill	-	458	200	60	08CC0056
2	105956	chargrill	-	460	285	60	08CC0044
3	104182	chargrill	-	490	270	150	08111685

fig.	Part No.	application	ø (mm)	L (mm)	W (mm)	H (mm)	Ref. No.
4	105953	chargrill	-	400	270	60	08CC0005
5	105954	chargrill	-	400	370	60	08CC0026

Charvet

fig.	Part No.	application	ø (mm)	L (mm)	W (mm)	H (mm)	Ref. No.
1	109114	tilting bratt pan	39	550	-	-	505209

Cookmax

fig.	Part No.	application	ø (mm)	L (mm)	W (mm)	H (mm)	Ref. No.
1	103154	fryer	40	420	-	-	2519430
2	103156	fryer	50	280	-	-	2519410
3	105442	fryer	50	345	-	-	2510651

fig.	Part No.	application	ø (mm)	L (mm)	W (mm)	H (mm)	Ref. No.
4	105436	gas range	50	608	-	-	2510697
5	104761	griddle	40	385	-	-	404000100
6	105255	griddle	-	490	41	34	1031504500

fig.	Part No.	application	ø (mm)	L (mm)	W (mm)	H (mm)	Ref. No.
7	104156	chargrill	-	435	205	50	1828112
8	105684	griddle	-	437	220	144	41826390023
9	105260	griddle	-	450	300	50	1031504600

fig.	Part No.	application	ø (mm)	L (mm)	W (mm)	H (mm)	Ref. No.
10	103155	chargrill	-	610	280	60	2519270
11	105486	oven	-	440	200	-	1664300

EKU

fig.	Part No.	application	ø (mm)	L (mm)	W (mm)	H (mm)	Ref. No.
1	104156	chargrill	-	435	205	50	1-W-050



Electrolux

fig.	Part No.	application	ø (mm)	L (mm)	W (mm)	H (mm)	Ref. No.
1	105644	fryer	50	390	-	-	005929
2	105645	fryer	50	408	-	-	006127
3	104223	gas range	40	620	-	-	059221

fig.	Part No.	application	ø (mm)	L (mm)	W (mm)	H (mm)	Ref. No.
4	104188	range/boiling pan	-	400	40	53	0H6335
5	104290	tilting bratt pan	50	390	-	-	004954
6	105653	tilting bratt pan	-	700	585	30	0C0701

fig.	Part No.	application	ø (mm)	L (mm)	W (mm)	H (mm)	Ref. No.
7	105769	convection oven	50	340	-	-	003709
8	105639	pasta cooker	60	390	-	-	056638
9	104128	chargrill	-	390	180	45	052855

fig.	Part No.	application	ø (mm)	L (mm)	W (mm)	H (mm)	Ref. No.
10	104122	chargrill	-	430	205	45	056655
11	105483	chargrill	-	468	200	45	005656
12	104582	chargrill	-	580	225	45	002358

fig.	Part No.	application	ø (mm)	L (mm)	W (mm)	H (mm)	Ref. No.
13	104578	griddle	-	510	190	40	004591
14	104581	griddle	-	550	190	50	006650
15	105637	pasta cooker	-	520	235	90	059523

fig.	Part No.	application	ø (mm)	L (mm)	W (mm)	H (mm)	Ref. No.
16	104580	griddle	-	645	190	45	0A5124
17	105647	tilting bratt pan	-	450	455	245	004353
18	105652	tilting bratt pan	-	580	545	30	0C0700

fig.	Part No.	application	ø (mm)	L (mm)	W (mm)	H (mm)	Ref. No.
19	105648	tilting bratt pan	-	595	630	45	051296
20	105650	tilting bratt pan	-	630	550	-	0A5166

Elframo

fig.	Part No.	application	ø (mm)	L (mm)	W (mm)	H (mm)	Ref. No.
1	104483	fryer	40	340	-	-	15100010
2	105382	fryer	-	270	41	56	15100001

Emmepi

fig.	Part No.	application	ø (mm)	L (mm)	W (mm)	H (mm)	Ref. No.
1	105687	chargrill	-	370	220	50	8C2060



Fagor



fig.	GEV No.	application	ø (mm)	L (mm)	W (mm)	H (mm)	Ref. No.
1	109035	bain marie	-	405	38	33	R495700000
2	105920	kettle	50	450	-	-	12030250
3	109021	bain marie	-	490	400	55	12006607



fig.	Part No.	application	ø (mm)	L (mm)	W (mm)	H (mm)	Ref. No.
4	109099	chargrill	-	530	200	57	12009491
5	105431	chargrill	-	540	220	60	12009503
6	109030	griddle	-	680	238	110	12007058



fig.	Part No.	application	ø (mm)	L (mm)	W (mm)	H (mm)	Ref. No.
7	109039	kettle	-	590	248	80	5275700000
8	109038	kettle	-	595	420	80	12012385
9	109023	tilting bratt pan	-	410	495	125	12012193



fig.	Part No.	application	ø (mm)	L (mm)	W (mm)	H (mm)	Ref. No.
10	103029	gas range	-	600	1150	65	12007339
11	109041	tilting bratt pan	-	515	1070	65	12011373
12	109012	gas range	-	325	355	-	12006166



fig.	Part No.	application	ø (mm)	L (mm)	W (mm)	H (mm)	Ref. No.
13	109008	gas range	-	570	260	-	12013187
14	109009	gas range	-	660	260	-	12006629
15	109011	gas range	-	700	320	-	12006629



fig.	GEV No.	application	ø (mm)	L (mm)	W (mm)	H (mm)	Ref. No.
16	109010	gas range	-	745	260	-	12006657
17	109188	combi-steamer	38	170	-	-	12024272
18	109187	combi-steamer	-	180	270	45	12024674



fig.	GEV No.	application	ø (mm)	L (mm)	W (mm)	H (mm)	Ref. No.
19	109018	griddle	30	500	145	-	12013487
20	105697	kettle	50	450	-	-	12030251

Falcon



fig.	Part No.	application	ø (mm)	L (mm)	W (mm)	H (mm)	Ref. No.
1	109141	gril	-	460	35	220	531600230
2	109142	tilting bratt pan	-	370	30	40	531750420
3	109149	chargrill	-	390	200	43	536000034



fig.	Part No.	application	ø (mm)	L (mm)	W (mm)	H (mm)	Ref. No.
4	109154	chargrill	-	390	255	40	539220590
5	109151	gas range	-	375	230	40	537880120

Fimar



fig.	Part No.	application	ø (mm)	L (mm)	W (mm)	H (mm)	Ref. No.
1	105380	chargrill	22	540	-	-	CO3100
2	105381	chargrill	25	542	-	-	CO3158



Firex

fig.	Part No.	application	ø (mm)	L (mm)	W (mm)	H (mm)	Ref. No.
1	105482	tilting bratt pan	40	396	-	-	30400050

fig.	Part No.	application	ø (mm)	L (mm)	W (mm)	H (mm)	Ref. No.
7	105260	griddle	-	450	300	50	X20100
8	105302	solid top	-	445	280	40	Y22000

Gico

fig.	Part No.	application	ø (mm)	L (mm)	W (mm)	H (mm)	Ref. No.
1	105156	kettle	50	185	-	-	270203350
2	105363	chargrill	-	445	200	50	A00273

Giorik

fig.	Part No.	application	ø (mm)	L (mm)	W (mm)	H (mm)	Ref. No.
1	105687	chargrill	-	370	220	50	2010923
2	105475	chargrill	-	575	225	45	2010924

GIGA

fig.	Part No.	application	ø (mm)	L (mm)	W (mm)	H (mm)	Ref. No.
1	105255	griddle	-	490	41	34	0000X20000
2	105257	kettle	40	397	-	-	Y22100
3	104217	fryer	60	505	-	-	717-144-00

Imperial-USA

fig.	Part No.	application	ø (mm)	L (mm)	W (mm)	H (mm)	Ref. No.
1	103019	chargrill	-	355	155	75	11350
2	103028	griddle	32	510	150	-	2099

fig.	Part No.	application	ø (mm)	L (mm)	W (mm)	H (mm)	Ref. No.
4	105102	oven	27	418	-	-	X68046
5	105115	tilting bratt pan	40	500	-	-	Y22200
6	105340	chargrill	-	480	305	60	X24100

Jünger

fig.	Part No.	application	ø (mm)	L (mm)	W (mm)	H (mm)	Ref. No.
1	104220	chargrill	20	425	110	-	433280
2	104218	chargrill	20	440	185	-	433282



Juno



fig.	Part No.	application	ø (mm)	L (mm)	W (mm)	H (mm)	Ref. No.
1	104188	range/boiling pan	-	400	40	53	0H6335
2	104580	griddle	-	645	190	45	0A5124

Komel



fig.	Part No.	application	ø (mm)	L (mm)	W (mm)	H (mm)	Ref. No.
1	104483	fryer	40	340	-	-	15100010
2	105382	fryer	-	270	41	56	—

Lainox



fig.	Part No.	application	ø (mm)	L (mm)	W (mm)	H (mm)	Ref. No.
1	109098	convection oven	50	660	-	-	LAR63010100

Landmann-Peiga



fig.	Part No.	application	ø (mm)	L (mm)	W (mm)	H (mm)	Ref. No.
1	105974	gril	20	470	170	-	E004412C - left
2	105975	gril	20	475	170	-	E004412D - right

Lincar



fig.	Part No.	application	ø (mm)	L (mm)	W (mm)	H (mm)	Ref. No.
1	105482	tilting bratt pan	40	396	-	-	38020124
2	105475	chargrill	-	575	225	45	38020140

Lotus



fig.	Part No.	application	ø (mm)	L (mm)	W (mm)	H (mm)	Ref. No.
1	105920	kettle	50	450	-	-	10053
2	105482	tilting bratt pan	40	396	-	-	30400050
3	105050	pasta cooker	50	299	-	-	531028600



fig.	Part No.	application	ø (mm)	L (mm)	W (mm)	H (mm)	Ref. No.
4	104143	chargrill	-	400	205	45	531019900
5	105759	chargrill	-	585	200	45	531044501

Mareno



fig.	Part No.	application	ø (mm)	L (mm)	W (mm)	H (mm)	Ref. No.
1	104154	griddle	40	345	-	-	MA1685400
2	105255	griddle	-	490	41	34	MA1031504500
3	104244	kettle	50	410	-	-	MA2708514



fig.	Part No.	application	ø (mm)	L (mm)	W (mm)	H (mm)	Ref. No.
4	105488	oven	50	590	-	-	MACM021402
5	105523	pasta cooker	50	475	-	-	MACM088100
6	104240	chargrill	40	400	-	-	MA1031501000

fig.	Part No.	application	ø (mm)	L (mm)	W (mm)	H (mm)	Ref. No.
7	104156	chargrill	-	435	205	50	MA1828112
8	105494	chargrill	-	525	200	65	MACM203100
9	105495	chargrill	-	695	200	65	MACM201900

fig.	Part No.	application	ø (mm)	L (mm)	W (mm)	H (mm)	Ref. No.
10	105260	griddle	-	450	300	50	MA1031504600
11	105490	griddle	-	485	190	55	MACM081302
12	105491	griddle	-	665	190	55	MACM033503

fig.	Part No.	application	ø (mm)	L (mm)	W (mm)	H (mm)	Ref. No.
13	105492	griddle	-	484	340	55	MACM081402
14	105520	tilting bratt pan	-	520	620	60	MACM070003R
15	105521	tilting bratt pan	-	520	1010	60	MACM070103

fig.	Part No.	application	ø (mm)	L (mm)	W (mm)	H (mm)	Ref. No.
16	105486	oven	-	440	200	-	MA1664300
17	104151	bain marie	50	358	-	-	MA1413000
18	104153	tilting bratt pan	40	480	-	-	MA1475100

MBM-Italia

fig.	Part No.	application	ø (mm)	L (mm)	W (mm)	H (mm)	Ref. No.
1	105216	pasta cooker	50	470	-	-	RTCU700285
2	104156	chargrill	-	435	205	50	RTCU700483
3	105211	chargrill	-	470	200	45	RTCU600070

fig.	Part No.	application	ø (mm)	L (mm)	W (mm)	H (mm)	Ref. No.
4	105475	chargrill	-	575	225	45	RIC0002519

MKN

fig.	Part No.	application	ø (mm)	L (mm)	W (mm)	H (mm)	Ref. No.
1	105889	oven	-	295	28	42	201608

Modular

fig.	Part No.	application	ø (mm)	L (mm)	W (mm)	H (mm)	Ref. No.
1	105160	kettle	50	428	-	-	67207215
2	104004	chargrill	-	620	200	-	97201500
3	104174	gril	-	485	240	170	67205200

Multi

fig.	Part No.	application	ø (mm)	L (mm)	W (mm)	H (mm)	Ref. No.
1	104174	gril	-	485	240	170	672052



Nayati



fig.	Part No.	application	ø (mm)	L (mm)	W (mm)	H (mm)	Ref. No.
1	105867	tilting bratt pan	40	480	-	-	GS3045
2	105969	fryer	-	413	150	40	GS3656
3	105968	griddle	-	420	200	45	GS3657



fig.	Part No.	application	ø (mm)	L (mm)	W (mm)	H (mm)	Ref. No.
4	105864	griddle	-	445	200	45	GS3649
5	105967	griddle	-	450	220	40	GS3655
6	105863	gril	-	525	190	55	GS3652



fig.	Part No.	application	ø (mm)	L (mm)	W (mm)	H (mm)	Ref. No.
7	105865	pasta cooker	-	360	235	90	GS3654
8	105868	tilting bratt pan	-	360	435	60	GS3651
9	105584	oven	-	675	385	-	GS3644

Offcar



fig.	Part No.	application	ø (mm)	L (mm)	W (mm)	H (mm)	Ref. No.
1	105471	oven	50	610	-	-	841219
2	105482	tilting bratt pan	40	396	-	-	FX30400050
3	105639	pasta cooker	60	390	-	-	841091



fig.	Part No.	application	ø (mm)	L (mm)	W (mm)	H (mm)	Ref. No.
4	105687	chargrill	-	370	220	50	865851
5	105475	chargrill	-	575	225	45	865861

Olis




fig.	Part No.	application	ø (mm)	L (mm)	W (mm)	H (mm)	Ref. No.
1	105447	bain marie	40	600	-	-	2510391
2	103154	fryer	40	420	-	-	2519430
3	103156	fryer	50	280	-	-	BN2519410




fig.	Part No.	application	ø (mm)	L (mm)	W (mm)	H (mm)	Ref. No.
4	105442	fryer	50	345	-	-	BN2510651
5	105436	gas range	50	608	-	-	BN2510697
6	105920	kettle	50	450	-	-	110053




fig.	Part No.	application	ø (mm)	L (mm)	W (mm)	H (mm)	Ref. No.
7	105437	oven	50	445	-	-	BN8220050
8	105438	chargrill	50	345	-	-	2510695
9	105684	griddle	-	437	220	144	826390020



fig.	Part No.	application	ø (mm)	L (mm)	W (mm)	H (mm)	Ref. No.
10	105441	chargrill	-	450	280	65	BN2519250
11	103155	chargrill	-	610	280	60	BN2519270
12	105695	tilting bratt pan	-	510	620	50	BN826390063

fig.	Part No.	application	ø (mm)	L (mm)	W (mm)	H (mm)	Ref. No.
13	105779 ¹	gas range	50	440	-	-	BN3104840

¹for ovens with 20 grids

Pitco

fig.	Part No.	application	ø (mm)	L (mm)	W (mm)	H (mm)	Ref. No.
1	201100	fryer	60	310	85	-	PP10927

Repagas

fig.	Part No.	application	ø (mm)	L (mm)	W (mm)	H (mm)	Ref. No.
1	104483	fryer	40	340	-	-	40900007

RM-Gastro

fig.	Part No.	application	ø (mm)	L (mm)	W (mm)	H (mm)	Ref. No.
1	104761	griddle	40	385	-	-	404000100

Rosinox

fig.	Part No.	application	ø (mm)	L (mm)	W (mm)	H (mm)	Ref. No.
1	109118	fryer	-	190	41	56	RX94561040
2	109119	frying pan	-	510	42	57	RX94006715
3	104659	frying pan	-	512	41.5	56	RX94494564

fig.	Part No.	application	ø (mm)	L (mm)	W (mm)	H (mm)	Ref. No.
4	105494	chargrill	-	525	200	65	RX94814483
5	105537	oven	-	570	310	-	RX94812661

Silko

fig.	Part No.	application	ø (mm)	L (mm)	W (mm)	H (mm)	Ref. No.
1	105255	griddle	-	490	41	34	SIR0109046
2	105257	kettle	40	397	-	-	SIR0100280
3	105523	pasta cooker	50	475	-	-	MACM088100

fig.	Part No.	application	ø (mm)	L (mm)	W (mm)	H (mm)	Ref. No.
4	105253	griddle	40	547	-	-	SIR0100284
5	105260	griddle	-	450	300	50	SIR0109045
6	105491	griddle	-	665	190	55	MACM033503

fig.	Part No.	application	ø (mm)	L (mm)	W (mm)	H (mm)	Ref. No.
7	105537	oven	-	570	310	-	SIR0100277



Solymac

fig.	Part No.	application	ø (mm)	L (mm)	W (mm)	H (mm)	Ref. No.
1	104470	chargrill	-	430	250	185	P12
2	104469	chargrill	-	435	250	64	P22
3	104471	chargrill	-	580	250	63	P14

fig.	Part No.	application	ø (mm)	L (mm)	W (mm)	H (mm)	Ref. No.
4	104473	gril	-	485	200	150	P13
5	104472	griddle	-	525	280	124	P10
6	104474	gril	-	430	370	190	P11

Star10

fig.	Part No.	application	ø (mm)	L (mm)	W (mm)	H (mm)	Ref. No.
1	105255	griddle	-	490	41	34	X20000
2	105102	oven	27	418	-	-	X68046
3	105115	tilting bratt pan	40	500	-	-	Y22200

fig.	Part No.	application	ø (mm)	L (mm)	W (mm)	H (mm)	Ref. No.
4	105340	chargrill	-	480	305	60	X24100
5	105260	griddle	-	450	300	50	X20100
6	105302	solid top	-	445	280	40	Y22000

Tecnoinox

fig.	Part No.	application	ø (mm)	L (mm)	W (mm)	H (mm)	Ref. No.
1	104290	tilting bratt pan	50	390	-	-	RC00366000
2	105483	chargrill	-	468	200	45	RC00539000
3	105475	chargrill	-	575	225	45	RCK2010924

fig.	Part No.	application	ø (mm)	L (mm)	W (mm)	H (mm)	Ref. No.
4	105427	salamander grill	-	680	240	260	RC00117000

Therma

fig.	Part No.	application	ø (mm)	L (mm)	W (mm)	H (mm)	Ref. No.
1	104581	griddle	-	550	190	50	006650
2	104580	griddle	-	645	190	45	0A5124

Universo

fig.	Part No.	application	ø (mm)	L (mm)	W (mm)	H (mm)	Ref. No.
1	105421	chargrill	-	480	305	50	PLX20002

Zanussi

fig.	Part No.	application	ø (mm)	L (mm)	W (mm)	H (mm)	Ref. No.
1	105644	fryer	50	390	-	-	005929
2	105645	fryer	50	408	-	-	006127
3	104223	gas range	40	620	-	-	059221



fig.	Part No.	application	ø (mm)	L (mm)	W (mm)	H (mm)	Ref. No.
4	104188	range/boiling pan	-	400	40	53	0H6335
5	104290	tilting bratt pan	50	390	-	-	004954
6	105653	tilting bratt pan	-	700	585	30	0C0701

fig.	Part No.	application	ø (mm)	L (mm)	W (mm)	H (mm)	Ref. No.
7	105769	convection oven	50	340	-	-	003709
8	105639	pasta cooker	60	390	-	-	056638
9	104128	chargrill	-	390	180	45	052855

fig.	Part No.	application	ø (mm)	L (mm)	W (mm)	H (mm)	Ref. No.
10	104122	chargrill	-	430	205	45	056655
11	105483	chargrill	-	468	200	45	005656
12	104582	chargrill	-	580	225	45	002358

fig.	Part No.	application	ø (mm)	L (mm)	W (mm)	H (mm)	Ref. No.
13	104578	griddle	-	510	190	40	004591
14	104581	griddle	-	550	190	50	006650
15	105637	pasta cooker	-	520	235	90	059523

fig.	Part No.	application	ø (mm)	L (mm)	W (mm)	H (mm)	Ref. No.
16	104580	griddle	-	645	190	45	0A5124
17	105647	tilting bratt pan	-	450	455	245	004353
18	105652	tilting bratt pan	-	580	545	30	0C0700

fig.	Part No.	application	ø (mm)	L (mm)	W (mm)	H (mm)	Ref. No.
19	105648	tilting bratt pan	-	595	630	45	051296
20	105650	tilting bratt pan	-	630	550	-	0A5166

chargrill grids

Baron

fig.	Part No.	description	Ref. No.
1	210258	chargrill grid L 500 mm W 370 mm	MA1041301900

CB

fig.	Part No.	description	Ref. No.
1	211073	chargrill grid L 530 mm W 370 mm fish	14080036

Cookmax

fig.	Part No.	description	Ref. No.
1	211091	chargrill grid L 485 mm W 310 mm	503000268
2	210258	chargrill grid L 500 mm W 370 mm	1041301900

Electrolux

fig.	Part No.	description	Ref. No.
1	211041	chargrill grid L 175 mm W 640 mm H 50 mm	0C0424

Fagor

fig.	Part No.	description	Ref. No.
1	211047	chargrill grid L 508 mm W 339 mm H 22 mm	12009424
2	211007	chargrill grid L 570 mm W 345 mm H 75 mm stainless steel chargrill	12016512
3	211046	chargrill grid L 580 mm W 410 mm H 25 mm chargrill	12009442



fig.	Part No.	description	Ref. No.
4	109708	chargrill grid L 585 mm W 323 mm H 40 mm chargrill meat	12008843
5	211045	chargrill grid L 655 mm W 411 mm H 70 mm stainless steel chargrill	12040319

Fimar

fig.	Part No.	description	Ref. No.
1	210166	chargrill grid L 540 mm W 160 mm	CO3126

Imperial-USA

fig.	Part No.	description	Ref. No.
1	210023	chargrill grid L 530 mm W 127 mm H 20 mm chargrill	1206

Lotus

fig.	Part No.	description	Ref. No.
1	211018	chargrill grid L 510 mm W 380 mm H 50 mm stainless steel for chargrill	541108700

Mareno

fig.	Part No.	description	Ref. No.
1	210258	chargrill grid L 500 mm W 370 mm	MA1041301900

Modular

fig.	Part No.	description	Ref. No.
1	211019	chargrill grid L 495 mm W 160 mm H 19 mm	68101100

Nayati

fig.	Part No.	description	Ref. No.
1	211083	chargrill grid L 420 mm W 175 mm	PD3005
2	211084	chargrill grid L 540 mm W 350 mm	GS4031

RM-Gastro

fig.	Part No.	description	Ref. No.
1	211091	chargrill grid L 485 mm W 310 mm	503000268

Zanussi

fig.	Part No.	description	Ref. No.
1	211041	chargrill grid L 175 mm W 640 mm H 50 mm	0C0424

lava rock grids

Baron

fig.	Part No.	description	Ref. No.
1	211029	lava rock grid L 464mm W 310mm	MA1829522
2	211068	lava rock grid L 535mm W 360mm H 20mm	BN4185322007864

Bertos

fig.	Part No.	description	Ref. No.
1	211005	lava rock grid L 685mm W 465mm H 37mm	31972700
2	211043	lava rock grid L 685mm W 670mm	35972700

CB

fig.	Part No.	description	Ref. No.
1	211021	lava rock grid L 425mm W 250mm	14081897
2	211061	lava rock grid L 426mm W 323mm	14081834



Cookmax

fig.	Part No.	description	Ref. No.
1	210259	lava rock grid L 420mm W 305mm H 25mm	2519600
2	211029	lava rock grid L 464mm W 310mm	1829522

GIGA

fig.	Part No.	description	Ref. No.
1	105341	lava rock grid L 450mm W 330mm	B49900

EKU

fig.	Part No.	description	Ref. No.
1	211029	lava rock grid L 464mm W 310mm	1-W-280

Imperial-USA

fig.	Part No.	description	Ref. No.
1	210024	lava rock grid L 385mm W 205mm H 25mm	1207

Electrolux

fig.	Part No.	description	Ref. No.
1	211024	lava rock grid L 420mm W 268mm	004964
2	211051	lava rock grid L 440mm W 290mm	056657
3	211059	lava rock grid L 600mm W 345mm	002385

Krefft

fig.	Part No.	description	Ref. No.
1	211029	lava rock grid L 464mm W 310mm	1829522

fig.	Part No.	description	Ref. No.
4	211036	lava rock grid L 635mm W 445mm H 20mm	006206

Mareno

fig.	Part No.	description	Ref. No.
1	211029	lava rock grid L 464mm W 310mm	MA1829522
2	211030	lava rock grid L 465mm W 325mm	MACM207900

Fagor

fig.	Part No.	description	Ref. No.
1	109707	lava rock grid L 480mm W 290mm H 20mm	—
2	109067	lava rock grid L 485mm W 275mm H 40mm	12002411
3	109090	lava rock grid L 545mm W 330mm H 30mm SS	12002481

MBM-Italia

fig.	Part No.	description	Ref. No.
1	211022	lava rock grid L 418mm W 318mm	GACU600061

Modular

fig.	Part No.	description	Ref. No.
1	211020	lava rock grid L 440mm W 295mm H 15mm	81121200



BAR BURNERS/TUBE BURNERS SUITABLE FOR

Nayati

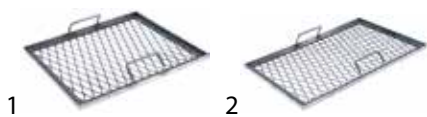


fig.	Part No.	description	Ref. No.
1	211085	lava rock grid L 376mm W 328mm	GS392A
2	211086	lava rock grid L 492mm W 329mm	GS3931

Olis



fig.	Part No.	description	Ref. No.
1	210259	lava rock grid L 420mm W 305mm H 25mm	BN2519600

Star10



fig.	Part No.	description	Ref. No.
1	105341	lava rock grid L 450mm W 330mm	B49900

Tecnoinox



fig.	Part No.	description	Ref. No.
1	211024	lava rock grid L 420mm W 268mm	RC00543000

Universo



fig.	Part No.	description	Ref. No.
1	105341	lava rock grid L 450mm W 330mm	PLX20029

Zanussi



fig.	Part No.	description	Ref. No.
1	211024	lava rock grid L 420mm W 268mm	004964
2	211051	lava rock grid L 440mm W 290mm	056657
3	211059	lava rock grid L 600mm W 345mm	002385



fig.	Part No.	description	Ref. No.
4	211036	lava rock grid L 635mm W 445mm H 20mm	006206



fig.	Part No.	description	suitable for	Ref. No.
1	109184	insulation for burner ϕ 97,5mm ID ϕ 62,5mm thickness 9,5mm	Frima Rational	72.00.048 72.00.048

tube burners



fig.	Part No.	L (mm)	W (mm)	H (mm)	suitable for	Ref. No.
1	104414	180	74	52	Cooking-Systems	C5815399
2	105163	180	74	60	Modular	67207500



fig.	Part No.	L (mm)	W (mm)	H (mm)	suitable for	Ref. No.
3	105261	180	75	60	Bertos GIGA Silko Star10	22278932 0900X23100 SIR0109016 0900X23100
4	105866	265	50	71	Nayati	PD.2263



fig.	Part No.	L (mm)	W (mm)	H (mm)	suitable for	Ref. No.
5	109191	277	57	100	Pitco	B8046101
6	104436	280	59	53	MBM-Italia	161820



fig.	Part No.	L (mm)	W (mm)	H (mm)	suitable for	Ref. No.
7	105527	295	55	70	Baron Giorik Rosinox	85322001230 2001230 RX94805710
8	105401	300	75	42	Angelo-Po	3007720
9	105344	305	55	63	Angelo-Po	34A1670

fig.	Part No.	ø (mm)	H (mm)	L (mm)	suitable for	Ref. No.
4	105332	162	117	330	Angelo-Po	34A1650

fig.	Part No.	L (mm)	W (mm)	H (mm)	suitable for	Ref. No.
10	105518	310	49	73	Mareno	MACM011401
11	105561	330	65	56	Imperial-USA	1225

fig.	Part No.	ø (mm)	H (mm)	L (mm)	suitable for	Ref. No.
1	109152	150	70		Falcon	537880700
2	109153	200	70		Falcon	537060350

fig.	Part No.	L (mm)	W (mm)	H (mm)	suitable for	Ref. No.
12	109019	340	61	58	Fagor	12009433
13	109190	360	67	56	Pitco	PP10853


ceramic burners

fig.	Part No.	L (mm)	W (mm)	firing range (mm)	suitable for	Ref. No.
1	104280	160	121	130x90	Cookmax Meltem Potis	PT0005 R-6 PT0005
2	105987	203	143	160x109	Meltem Naomi-Grills	R-5a BV/C

solid top burners



fig.	Part No.	ø (mm)	H (mm)	L (mm)	suitable for	Ref. No.
1	105189	65	102	284	MBM-Italia	GACU700131
2	104148	120	102	340	Ambach	3516911678
3	105251	120	102	340	Bartscher Olis Silko	02510069 BN2510069 SIR0100294

fig.	Part No.	L (mm)	W (mm)	firing range (mm)	suitable for	Ref. No.
3	104192	205	81	158x73	North	DDG018
4	104281	216	160	177x125	Cookmax Meltem Naomi-Grills Potis	PT0006 R-3 300 PT0006 Erdgas



5

fig.	Part No.	L (mm)	W (mm)	firing range (mm)	suitable for	Ref. No.
5	105986	218	162	175x125	Meltem	R-4

1 2

fig.	Part No.	L (mm)	W (mm)	firing range (mm)	suitable for	Ref. No.
1	104757	415	80	395x65	Roller Grill	E01012
2	107516	430	80	390x38	Roller Grill	E01001





3 4

fig.	Part No.	L (mm)	W (mm)	firing range (mm)	suitable for	Ref. No.
3	107572	585	67	549x38	Roller Grill	E01002
4	105585	900	67	875x52	Tecno MCM	030001


accessories

burner grids




pos.	Part No.	L (mm)	W (mm)	suitable for
1	850031	170	165	Cookmax Potis
2	850028	180	113	Cookmax Potis
3	850033	190	160	Naomi-Grills
4	850032	205	160	Cookmax Potis
5	850029	230	150	Cookmax Potis
6	850025	350	160	Potis
7	850026	480	160	Potis
8	850027	590	160	Metalstyle Potis
9	105897	900	70	KSF

sealing strips



pos.	Part No.	L (mm)	W (mm)	thickness (mm)	suitable for
1	104278	500	10	10	Polydor
2	101512	550	20	3	OEM
3	104595	900	10	4	Tecno MCM
4	104459	1090	10	4	Tecno MCM
5	104458	10000	10	4	Tecno MCM

ceramic plates



pos.	Part No.	L (mm)	W (mm)	H (mm)	suitable for
1	101514	68	48	13	OEM
2	105526	69	49	13	Giorik
3	105895	69	49	13	KSF
4	105896	69	49	13	KSF
5	104597	102	72	13	Tecno MCM
6	108089	104	44	13.5	AEM
7	104282	132	92	12	Cookmax Potis
8	104276	134	96	13	Polydor
9	104594	144	47	13	Tecno MCM
10	104191	162	73	13	North
11	107567	173	60		Tecno MCM

round burners




1 2

fig.	Part No.	ø (mm)	suitable for	Ref. No.
1	104120	250	—	—
2	105893	250	MKN	201622



3

fig.	Part No.	ø (mm)	suitable for	Ref. No.
3	106963	410	Fagor	12009065



ring burners

fig.	Part No.	L (mm)	W (mm)	suitable for	Ref. No.
1	104222	290	180	Jünger	433270
2	104189	460	245	Ascobloc Electrolux Juno Zanussi	10/1373 0H7082 0H7082 0H7082

fig.	Part No.	L (mm)	W (mm)	suitable for	Ref. No.
3	106922	485	140	Raulwing	20035
4	105245	505	115	KSF	3.011.01.44

star burners

fig.	Part No.	L (mm)	W (mm)	H (mm)	number of burners:	suitable for	Ref. No.
1	107000	317	308	90	6	Roller Grill	E01007
2	105500	330	298	82	6	Roller Grill	E01003

miscellaneous

fig.	Part No.	description
1	106699	surface burner LPG bore \varnothing 0,2mm L 54mm W 43mm
2	106271	surface burner LPG bore \varnothing 0,35mm L 62mm W 42mm
3	106424	surface burner LPG bore \varnothing 0,4mm L 62mm W 42mm

GASTROPARTS.COM



© 2020 Gastroparts Sp. J. All rights reserved.