



GASTROPARTS

Universal Catalogue › Electric Components ›

[EN] Fans

[DE] Lüfter

[ES] Ventiladores

[FR] Ventilateurs

[IT] Ventilatori

[PL] Wentylatory

[RU] Вентиляторы

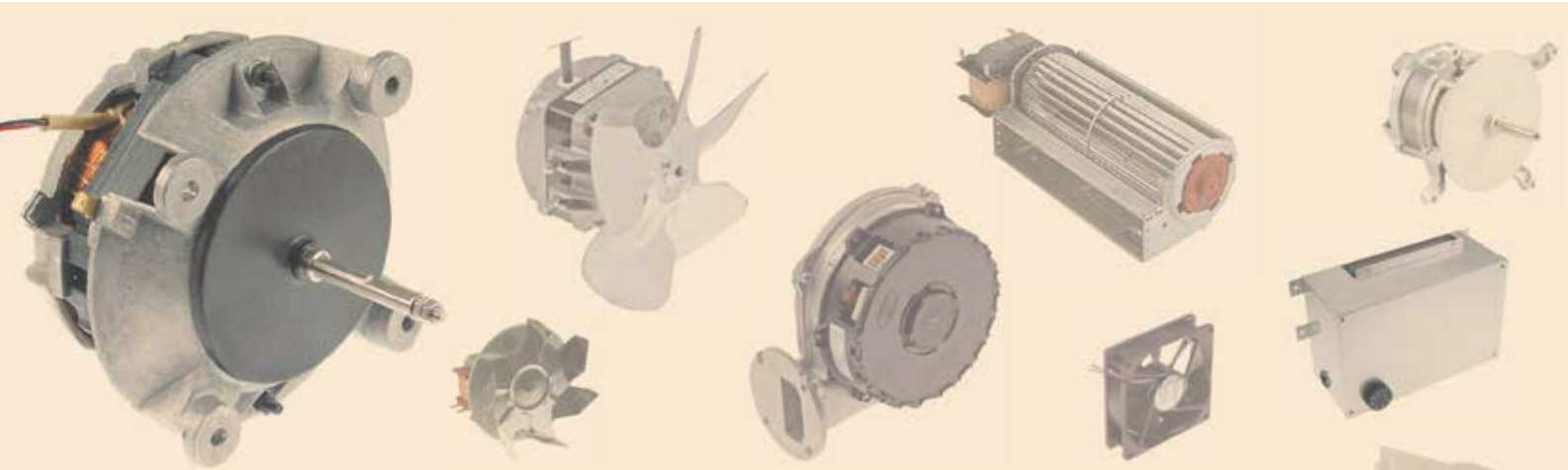
✉ gastroparts@gastroparts.com

☎ tel. +48 56 657 00 66

📘 fb.com/gastroparts.global

GASTROPARTS.COM





fans

27

axial fans.	706
refrigeration fans.	707
cooling fans.	717
cross flow fans.	717
hot air motors.	723
hot air fans.	743
radial fans.	751
heaters.	756
extractor fans.	757
accessories universal.	758



fans

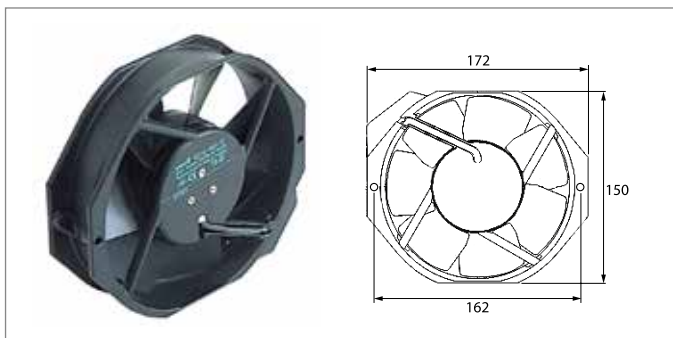
axial fans

ebm-papst



pos.	Part No.	L (mm)	W (mm)	H (mm)	voltage	P (W)	connection	manuf. no.
1	601496 ¹	60	60	25	12VDC	0.8	cable 310mm	612NME
2	601038 ¹	80	80	38	230VAC	12	cable 300mm	8556N
3	601826 ¹	80	80	38	230VAC	12	F2.8	8556 V
4	601908 ²	80	80	38	230VAC	12	cable 300mm	8550N
5	601120 ¹	92	92	25	12VDC	0.8	cable 1600mm	3412
6	601074 ¹	92	92	25	24VDC	2.3	cable 300mm	3414N
7	601632 ²	92	92	25	24VDC	2.4	cable 310mm	3414G
8	601082 ¹	92	92	25	230VAC	9/11	F2.8	3956
9	601633 ¹	92	92	38	230VAC	12	cable 310mm	3656
10	601634 ¹	119	119	25	230VAC	14	F2.8	9956
11	601121 ¹	119	119	38	12VDC	4.5	F2.8	4182NX
12	601656 ¹	119	119	38	24VDC	12.5	cable 1500mm	4114NHH
13	601915 ¹	119	119	38	24VDC	19.5	cable	4114NH3R
14	601754 ¹	119	119	38	230VAC	13	F2.8	4856Z
15	601482 ¹	119	119	38	230VAC	13	cable 310mm	4580ZW
16	601727 ²	119	119	38	230VAC	13	F2.8	4580Z
17	601715 ¹	119	119	38	230VAC	18	cable 310mm	4656ZW
18	601030 ¹	119	119	38	230VAC	18	F2.8	4656Z
19	601458 ¹	119	119	38	230VAC	19	F2.8	4656N
20	601813 ²	119	119	38	230VAC	19	plug	4656N/A02
21	601089 ²	119	119	38	230VAC	19	F2.8	4650N
22	601752 ¹	127	127	38	12VDC	21	cable 310mm	DV5212N
23	601635 ¹	127	127	38	230VAC	18	F2.8	5958
24	601481 ²	127	127	38	230VAC	18	F2.8	5950W
25	601793 ¹	135	135	38	230VAC	30	F2.8	5656 S

¹with ball bearings ²with slide bearings



pos.	Part No.	L (mm)	W (mm)	H (mm)	voltage	P (W)	connection	manuf. no.
1	601723	172	150	38	230VAC	13/14	F2.8	W2E142-CC15-16
2	601113 ¹	172	150	38	230VAC	27/28	F2.8	7056ES

¹with ball bearings



pos.	Part No.	ø (mm)	H (mm)	voltage	P (W)	connection	manuf. no.
1	601755 ¹	172	51	230VAC	24	F2.8	6058ES

¹with ball bearings



fig.	Part No.	type	D (mm)	blades	P (W)	speed (rpm)
1	601821	4656TZR	110	5	19	2650

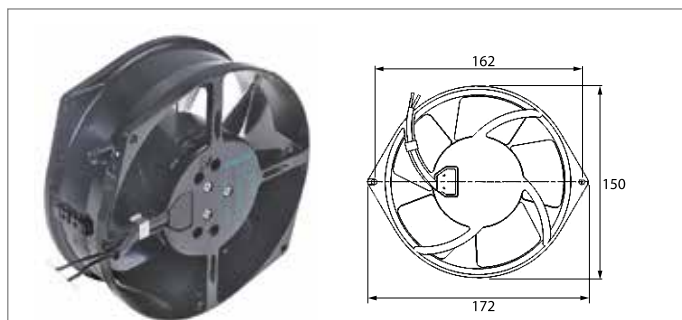
import



pos.	Part No.	L (mm)	W (mm)	H (mm)	voltage	P (W)	connection
1	601655 ¹	40	40	20	12VDC	1.6	cable
2	601154 ¹	60	60	25	12VDC	2.28	cable 300mm
3	601679	60	60	25	24VDC	1.9	cable
4	601155 ¹	60	60	25	24VDC	2.88	cable 320mm

¹with ball bearings

Table continues overleaf



pos.	Part No.	L (mm)	W (mm)	H (mm)	voltage	P (W)	connection	manuf. no.
1	601631 ¹	172	150	55	230VAC	47	cable 330mm	7450ES
2	601088 ¹	172	150	55	230VAC	39/45	cable 350mm	7855ES
3	601806 ¹	172	150	55	230VAC	45/39	cable 300mm	

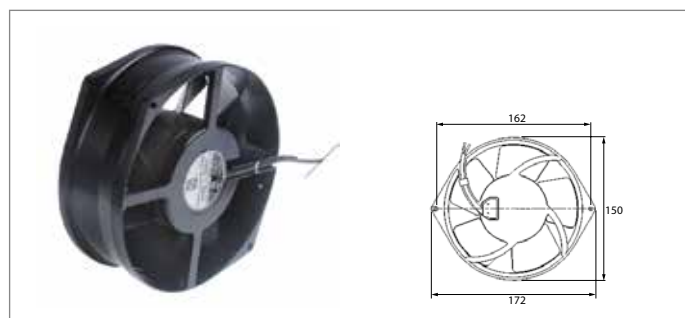
¹with ball bearings

fans 27



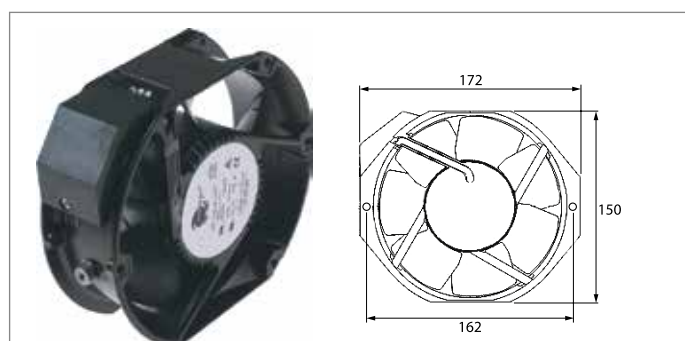
pos.	Part No.	L (mm)	W (mm)	H (mm)	voltage	P (W)	connection
5	601670 ¹	80	80	25	12VDC	1.8	cabl 300mm
6	601743	80	80	25	18VDC	1.8	coded plug
7	601439 ¹	80	80	25	24VDC	1.9	cabl 300mm
8	601130 ¹	80	80	25	230VAC	13/14	F2.8
9	601081 ¹	80	80	38	230VAC	14/13.5	F2.8
10	601747 ¹	92	92	25	12VDC	2.3	cabl 300mm
11	601680 ¹	92	92	25	24VDC	2.4	cabl 300mm
12	601055 ¹	92	92	25	230VAC	14.5/14	F2.8
13	601158 ¹	119	119	25	12VDC	5.4	cabl 300mm
14	601159 ¹	119	119	25	24VDC	5	cabl 350mm
15	601131 ¹	119	119	25	230VAC	19/18	F2.8
16	601460 ¹	119	119	25	230VAC	14/16	F6.3
17	698721 ¹	119	119	38	230VAC	17/15	cabl
18	601080 ¹	119	119	38	230VAC	23/20	F2.8
19	601604 ²	119	119	38	230VAC	17/15	cabl 300mm
20	601787 ²	119	119	38	230VAC	22/38.4	plug
21	601909	119	119	38	220-240	31/29	F2.8
22	601712 ¹	120	120	38	12VDC	10	cabl 320mm
23	601705 ¹	120	120	38	24VDC	9.2	cabl 300mm
24	601457 ¹	127	127	38	12VDC	12.72	cabl 300mm

¹with ball bearings ²with slide bearings



pos.	Part No.	L (mm)	W (mm)	H (mm)	voltage	P (W)	connection
1	601500 ¹	172	150	55	230VAC	42	cabl
2	601132 ¹	172	150	55	230VAC	40/46	F2.8

¹with ball bearings



pos.	Part No.	L (mm)	W (mm)	H (mm)	voltage	P (W)	connection
1	601388 ¹	172	150	38	230VAC	38/35	F2.8
2	601706 ¹	172	150	51	230VAC	39	F3.2
3	601654 ¹	172	150	51	230VAC	28/24	cabl
4	601473 ¹	172	150	55	230VAC	35	F2.8

¹with ball bearings

accessories

fan guards



pos.	Part No.	ø (mm)	MD (mm)	for axial fan (mm)
1	691102	75	71	80
2	691103	90	83	92
3	692497	105	150	ebm-papst
4	691104	115	105	119

connecting cables



fig.	Part No.	CL (mm)	connection
1	550898	2000	F 2.8

refrigeration fans

refrigeration motors universal

ebm-papst

IQ series



technical data:
 voltage 230V
 cable length 1500mm
 speed 1300rpm
 version 5 mounting options
 bearing ball bearing

pos.	Part No.	P (W)	type	pos.	Part No.	P (W)	type
1	601893	10	IQ3612	2	601894	20	IQ3620



multi fit fan motors



technical data:
voltage 230V
cable length 1500mm
speed 1300/1550rpm
version 5 mounting options
bearing slide bearing

pos.	Part No.	P (W)	type
1	601756	5	M4Q045-BD01-75
2	601757	10	M4Q045-CA03-75
3	601758	16	M4Q045-CF01-75
4	601759	18	M4Q045-DA01-75
5	601760	25	M4Q045-EA01-75
6	601761	34	M4Q045-EF01-75



fig.	Part No.	description
1	601892	connector cable for Plug-In cable length 1500mm ELCO

IQ series



technical data:
voltage 230V
cable length 1000mm
speed 1400rpm
version 3 mounting options
bearing ball bearing

pos.	Part No.	P (W)	type	pos.	Part No.	P (W)	type
1	601886	14	IQ motor	2	601887	25	IQ motor

ELCO

N series - multifix



technical data:
voltage 230V
bearing slide bearing
connection cable 500mm
speed 1300/1550rpm
version 5 mounting options

fig.	Part No.	P (W)	type
1	601430	5	VNT5-13/027
1	601427	10	VNT10-20/028
1	601528	16	VNT16-25/029
1	601529	25	VNT25-40/030
1	601530	34	VNT34-45/031

RE series



technical data:
voltage 230/240V
cable length 1000mm
speed 2600rpm
version 3 mounting options
bearing slide bearing

pos.	Part No.	P (W)	type
1	601608	18	R18-25/010

N series - plug In



technical data:
voltage 230V
frequency 50/60Hz
bearing slide bearing
connection Plug In
speed 1300/1550rpm
version 3 mounting options

fig.	Part No.	P (W)	type
1	601890 ¹	10	VN10-20/079
1	601891 ¹	16	VNT16-25/110

¹with coded connector

BT series - capacitor motors



technical data:
voltage 230V
cable length 500mm
speed 1300rpm
version incl. capacitor
type 3 mounting options
bearing slide bearing

fig.	Part No.	P (W)
1	601420	45



FMI



technical data:
voltage 230V
cable length 500mm
version 5 mounting options
bearing slide bearing

pos.	Part No.	P (W)	speed (rpm)	type
1	601330	5	1300/1550	AA.600
2	601331	10	1250	AA.7AL.639.X
3	601332	16	1300/1550	ABS12
4	601333	25	1300/1550	AA.106
5	601334	34	1300/1550	AA.210

IMPORT

multi fit fan motors



technical data:
voltage 230V
cable length 500mm
speed 1300rpm
version 5 mounting options
bearing slide bearing

pos.	Part No.	P (W)	pos.	Part No.	P (W)	pos.	Part No.	P (W)
1	601020	5	3	601023	16	5	601050	34
2	601022	10	4	601024	25			

IQ series



technical data:
voltage 220-240V
cable length 400mm
speed 1300rpm
type IQ motor
version 3 mounting options
bearing ball bearing

pos.	Part No.	P (W)	pos.	Part No.	P (W)	pos.	Part No.	P (W)
1	601877	7	2	601878	24	3	601879	32

capacitor motors



technical data:
voltage 220-240V
cable length 500mm
speed 1300rpm
type YZF
version 3 mounting options
bearing slide bearing

fig.	Part No.	P (W)	freq. (Hz)	fig.	Part No.	P (W)	freq. (Hz)
1	601984	10	50	1	601986	30	50
1	601985	20	50				

accessories

fan wheels

aluminium



technical data:
version sucking
material aluminium

pos.	Part No.	ø (mm)	BA (°)	pos.	Part No.	ø (mm)	BA (°)
1	601566	154	28	11	601072	254	22
2	601135	154	34	12	601284	254	28
3	601553	172	28	13	601414	254	31
4	601385	172	34	14	601387	254	34
5	601070	200	28	15	601415	275	34
6	601282	200	34	16	601073	300	22
7	601071	230	25	17	601555	300	25
8	601283	230	28	18	601410	300	28
9	601172	230	34	19	601416	300	31
10	601567	250	28				

plastic



technical data:
version sucking
material plastic

pos.	Part No.	ø (mm)	BA (°)	pos.	Part No.	ø (mm)	BA (°)
1	601412	154	28	3	601423	200	26
2	601550	154	28				



technical data:
version blowing
material aluminium

pos.	Part No.	ø (mm)	BA (°)	pos.	Part No.	ø (mm)	BA (°)
1	601568	154	28	6	601998	240	22
2	601569	172	28	7	601572	250	28
3	601844	200	22	8	601573	254	28
4	601570	200	28	9	601574	300	28
5	601571	230	28				

mounting rings

sucking



technical data:
version sucking
height 49mm

pos.	Part No.	for fan wheel ø (mm)	ø (mm)	MD1 (mm)
1	601585	154	200	190
2	601586	172	220	208
3	601587	200	246	236
4	601588	230	278	266
5	601589	254	303	290
6	601590	300	378	365

blowing



technical data:
version blowing

pos.	Part No.	for fan wheel ø (mm)	H (mm)	ø (mm)	MD1 (mm)
1	601593	200	28	246	236
2	601595	254	40	303	290
3	601596	300	32	378	365

feet



pos.	Part No.	H (mm)	MD (mm)	pos.	Part No.	H (mm)	MD (mm)
1	601597	39	78	6	601576	72	81
2	601136	40	85	7	601076	84	81
3	601075	52	81	8	601577	84	81
4	601575	55	81	9	601077	109	78
5	601137	70	85	10	601578	109	78

fan guards



pos.	Part No.	for fan wheel ø (mm)	H (mm)	MD1 (mm)
1	601579	154	11	190
2	601580	172	11	208
3	601581	200	25	236
4	601582	230	27	266
5	601583	254	17	290
6	601584	300	17	344

cooling motors (complete)



fig.	Part No.	volt. (V)	P (W)	freq. (Hz)	D (mm)	suitable for	Ref. No.
1	601835	220	35/5	50/60	172	Dukers Horeca-Select	GSC1100-26 GSC1100-26
1	601836	220	25/3	50/60	172	Dukers Horeca-Select	GBC1002-07 GBC1002-07
2	601394	230	5	50/60	200	ITV	200444





fig.	Part No.	volt. (V)	P (W)	freq. (Hz)	D (mm)	suitable for	Ref. No.
3	601841	230	5	50/60	200	—	—
4	601390	230	10	50/60	254	ITV	200445



pos.	Part No.	volt. (V)	P (W)	freq. (Hz)	D (mm)	suitable for	Ref. No.
1	601997	230	35	50/60	220	Foster	16250730
2	601996	230	75	50/60	250	Elco Foster	NET2T20PNR200-570082




fig.	Part No.	volt. (V)	P (W)	freq. (Hz)	D (mm)	suitable for	Ref. No.
5	601693	230	10	50/60	254	Fagor	12033477
6	601842	230	10	50/60	254	—	—



fig.	Part No.	volt. (V)	P (W)	freq. (Hz)	D (mm)	suitable for	Ref. No.
1	601791	220-240	10	50	110	Horeca-Select	GGC2270-47

cold air circulating fans (complete)

ebm-papst

A2E series





fig.	Part No.	volt. (V)	P (W)	freq. (Hz)	D (mm)	suitable for	Ref. No.
7	601391	230	16	50/60	254	Elco ITV	N16-30/861200410




technical data:
voltage 230V
version blowing

fig.	Part No.	type	D (mm)	blades	P (W)	speed (rpm)
1	601963	A2E170AF23-01	170	6	50/46	2500




pos.	Part No.	volt. (V)	P (W)	freq. (Hz)	D (mm)	suitable for	Ref. No.
1	601552	230	5	50/60	165	Fagor	12033165
2	601280	230	5	50/60	172	Bonnet Emainox	—3650032
3	601511	230	10	50	195	Fagor	12038161



technical data:
voltage 230V
version blowing

fig.	Part No.	type	D (mm)	blades	P (W)	speed (rpm)
2	601535	A2E200-AH38-01	200	9	78	2600
2	601750	A2E250-AL06-09	250	7	120/160	2500


1

technical data:
voltage 230V
version sucking

fig.	Part No.	type	D (mm)	blades	P (W)	speed (rpm)
1	601663 ¹	A2E200-AI38-10	200	9	64	2600
1	601959	A2E250-AE65-02	256	5	115	2550
1	601962	A2E250AM06-01	250	9	120/160	2450
1	601964	A2E250AM06-12	250	9	115/150	2450
1	601960	A2E250-AM06-13	250	9	120	2500
1	601707	A2E300-AC47-02	300	5	140/190	2900

¹incl. capacitor and guard

A4D series




1

technical data:
voltage 400V
version sucking

fig.	Part No.	type	D (mm)	blades	P (W)	speed (rpm)
1	601628	A4D500-AM03-01	500	5	720	1390

A4E series

blowing




1

technical data:
voltage 230V
version blowing

fig.	Part No.	type	D (mm)	blades	P (W)	speed (rpm)
1	601618	A4E250-AA04-01	250	5	32	1420
1	601620	A4E300-AB01-38	300	5	58	1300
1	601619	A4E300-AP26-01	300	5	68	1400
1	601621	A4E315-AA05-01	315	5	120	1400

fig.	Part No.	type	D (mm)	blades	P (W)	speed (rpm)
1	601623	A4E315-AC08-19	315	5	95	1370
1	601625	A4E330-AP18-01	330	5	110	1400
1	601422	A4E350-AA06-01	350	5	140	1390
1	601626	A4E350-AN19-01	350	5	158/200	1270
1	601627	A4E400-AP02-01	392	5	160	940


sucking



1

technical data:
voltage 230V
version sucking


fig.	Part No.	type	D (mm)	blades	P (W)	speed (rpm)
1	601961	A4E250-AI02-09	250	9	45/48	1380/1620



2

technical data:
voltage 230V
version sucking


fig.	Part No.	type	D (mm)	blades	P (W)	speed (rpm)
2	602026	A4E300-AA01-57	300	5	95/105	1350/1450



3

technical data:
voltage 230V
version sucking


fig.	Part No.	type	D (mm)	blades	P (W)	speed (rpm)
3	601995	A4E300-AR26-16	300	5	70/95	1380/1570

4

technical data:
voltage 230V
version sucking

fig.	Part No.	type	D (mm)	blades	P (W)	speed (rpm)
4	602024	A4E300-AS72-07	300	5	72/90	1320/1500
4	601622	A4E315-AC08-18	315	5	95	1370
4	601684	A4E350-AA06-54	350	5	145	1380/1540



3

technical data:
voltage 230V

fig.	Part No.	type	D (mm)	blades	P (W)	speed (rpm)
3	601859	R2E190-RA26-17M00	190	6	65	2500

R2E series




1

technical data:
voltage 230V

fig.	Part No.	type	D (mm)	blades	P (W)	speed (rpm)
1	601858	R2E190-A026-36	190	16	52	2350

S6E series



1

technical data:
voltage 230V
version blowing

fig.	Part No.	type	D (mm)	blades	P (W)	speed (rpm)
1	601624	S6E330-AP02-34	330	5	65	940



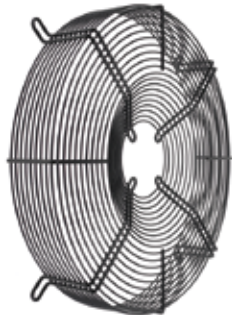
2

technical data:
voltage 230V

fig.	Part No.	type	D (mm)	blades	P (W)	speed (rpm)
2	601617	R2E190-A026-66	190	6	58	2500
2	601536	R2E190-A026-73	190	6	58/75	2700

accessories

fan guards



1

fig.	Part No.	for fan wheel ø (mm)	ø (mm)	HD (mm)	H (mm)
1	601954	250	280	300	45
1	601949	300	330	368	65
1	601955	315	330	371	65
1	601950	350	385	422	85
1	601951	400	430	470	85
1	601956	400	440	490	85
1	601957	450	480	522	85
1	601953	500	530	565	112



ZIEHL-ABEGG



1

technical data:
version blowing

fig.	Part No.	D (mm)	volt. (V)	P (W)	speed (rpm)
1	601972	400	230	240/330	1340/1480
1	601975	500	400	770/490	1300/1025



2

technical data:
version blowing

fig.	Part No.	D (mm)	volt. (V)	P (W)	speed (rpm)
2	601973	450	230	390/550	1320/1450
2	601974	450	400	450/340	1360/1040
2	601976	500	400	650/440	1340/960
2	601977	630	400	620/440	900/720

HIDRIA



1



2

fig.	Part No.	D (mm)	volt. (V)	freq. (Hz)	P (W)	type
1	602011	250	230	50/60	95/130	R09R-2525A-2M-3539
2	601980	250	230	50/60	48/55	R09R-2528P-4M-1546



3



4

fig.	Part No.	D (mm)	volt. (V)	freq. (Hz)	P (W)	type
3	601811	300	230	50/60	65/90	R09R-3030HP-4M-2543
4	602029	300	230	50/60	80	R09E-30SPB-4M-3509



5

fig.	Part No.	D (mm)	volt. (V)	freq. (Hz)	P (W)	type
5	602009	350	230	50/60	130/165	R09R-3530HA-4M-4237

IMPORT

**technical data:**
voltage 230V
version blowing

pos.	Part No.	D (mm)	P (W)	speed (rpm)
1	601880	300	90/105	1380/1600
2	601881	315	95/135	1380/1500
3	601882	330	100/130	1350/1500
4	601883	350	130/160	1450/1650
5	601884	400	180/250	1380/1550
6	601885	450	50/110	875



ELCO



1

technical data:
voltage 230V

fig.	Part No.	D (mm)	P (W)	speed (rpm)	version
1	602030	100	10	2500	without fan wheel



2

technical data:
voltage 230V

fig.	Part No.	D (mm)	P (W)	speed (rpm)	version
2	602021	200		1300/1550	sucking



3

technical data:
voltage 230V

fig.	Part No.	D (mm)	P (W)	speed (rpm)	version
3	602008	200	10	1400	blowing



4

technical data:
voltage 230V

fig.	Part No.	D (mm)	P (W)	speed (rpm)	version
4	602006	200	10	1300/1550	blowing



5

technical data:
voltage 230V

fig.	Part No.	D (mm)	P (W)	speed (rpm)	version
5	602007	200	10	1300/1550	sucking

COPREL

AX series



1



2

fig.	Part No.	volt. (V)	P (W)	freq. (Hz)	D (mm)	fig.	Part No.	volt. (V)	P (W)	freq. (Hz)	D (mm)
1	601078	230	18	50	130	2	601079	230	18	50	130

MAP series



pos.

Part No.	version
601056	blowing

pos.

Part No.	version
601039	sucking

technical data:
voltage 230V
power 10W
frequency 50/60Hz
fan wheel diameter 96mm



miscellaneous



fig.	Part No.	volt. (V)	freq. (Hz)	P (W)	ø (mm)	suitable for	Ref. No.
1	601019	230	50	18	130	Emmevi	251204 230V 50Hz 15-25W
2	601119	230	50/60	2	100	Alpeninox Electrolux Zanussi	600051 0A9308 0A9308

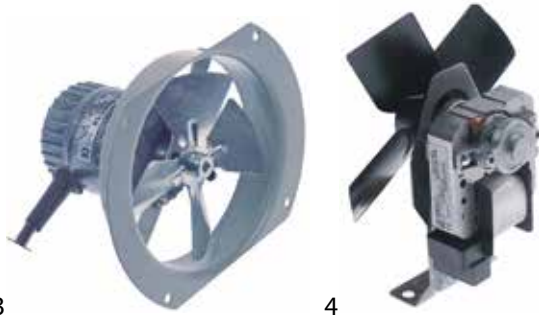


fig.	Part No.	volt. (V)	freq. (Hz)	P (W)	ø (mm)	suitable for	Ref. No.
3	601857	230	50/60	15	96	Isa	R400002486000
4	601501	230	50/60	25	96	Telme	M02.001.R

cold air circulating fans

cold air circulating fans



fig.	Part No.	volt. (V)	freq. (Hz)	shaft L (mm)	shaft ø (mm)	type	suitable for	Ref. No.
1	601477	230	50-60	22	3	F61-10	Cookmax Liebherr	6118791 6118791
1	601478	230	50-60	22	3	F61-10G	Cookmax Liebherr	6118751 6118751
1	601479	230	50-60	22	3	F61-10G	Cookmax Liebherr	6118787 6118787

accessories

fan wheels for cold air circulating fans



pos.	Part No.	ø (mm)	blades	W (mm)	shaft intake ø (mm)
1	601425	100	4	23	3
2	601480	164	3	27	3
3	602003	235	8	55	8

brackets for cold air circulating fans



fig.	Part No.	description	fig.	Part No.	description
1	691478	bracket for fan	2	691479	bracket for fan

cold air circulating fans

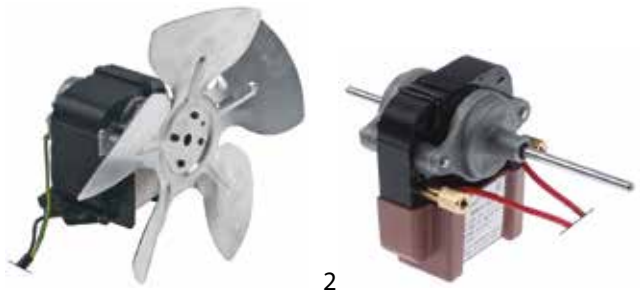


fig.	Part No.	volt. (V)	P (W)	shaft ø (mm)	shaft L (mm)	L (mm)	W (mm)	H (mm)
1	601919	220-230	5	6	14	73	62	62
2	601845	220-240	5	4	20/48	65	66	73

accessories


fan wheels for cold air circulating fans



pos.	Part No.	version	ø (mm)	shaft intake ø (mm)
2	601846	blowing	150	4

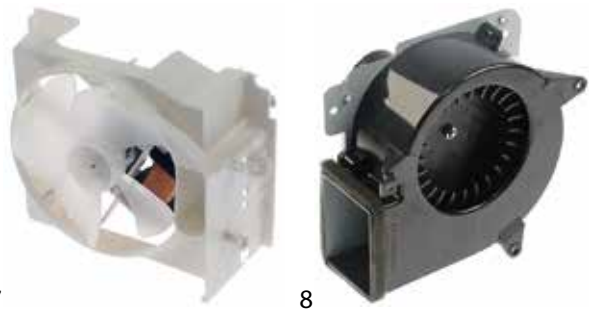


cold air circulating fans (other)



1


fig.	Part No.	volt. (V)	freq. (Hz)	P (W)	W (mm)	H (mm)	D (mm)	shaft L (mm)	shaft ø (mm)	suitable for
1	601375	230	50/60	10	84	87	95	25	8	Desmon Gram



7 8

fig.	Part No.	volt. (V)	freq. (Hz)	P (W)	shaft L (mm)	shaft ø (mm)	suitable for	Ref. No.
7	601920	220-240	50	18	23	3	ACP	58101056
8	601924	230-240	50	22	28	4	ACP	53001670

cooling fans



1 2

fig.	Part No.	volt. (V)	freq. (Hz)	P (W)	shaft L (mm)	shaft ø (mm)	suitable for	Ref. No.
1	601983	208	60	0.67	28	6	ACP Amana Menumaster	14090018 14090018 14090018
2	601925	230	50		30	3	ACP	56001459
2	601927	230	50	4.8	30	3	ACP	56002037

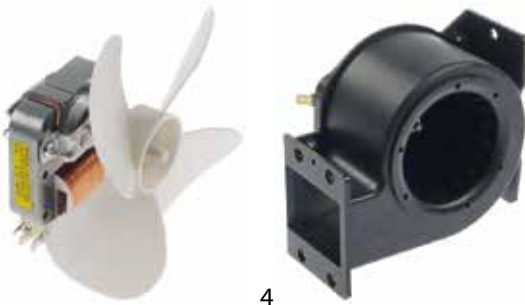


9

fig.	Part No.	volt. (V)	freq. (Hz)	P (W)	shaft L (mm)	shaft ø (mm)	suitable for	Ref. No.
9	601926	230-240	50	100			ACP	53001744


cross flow fans

IMPORT



3 4


fig.	Part No.	volt. (V)	freq. (Hz)	P (W)	shaft L (mm)	shaft ø (mm)	suitable for	Ref. No.
3	601923	230	50	22	30	3	ACP	54127058
4	602025	230	50	27.5			Icematic	18562012/0



1

technical data:
roller diameter 60mm
supply 220-240V/50-60Hz
application refrigeration
bearing rubber

fig.	Part No.	RL (mm)	LCT (mm)	P (W)	connection	temp. (°C)
1	601847	180	15	27	F6.3	-10 up to +60



5 6

fig.	Part No.	volt. (V)	freq. (Hz)	P (W)	shaft L (mm)	shaft ø (mm)	suitable for	Ref. No.
5	601916	230	50/60		28	6.3x4.7	ACP	59004019
5	601917	230	50/60		33	6.4	ACP	12002065
6	601921	230	50/60		36	6.4	ACP	59004029



2

technical data:
roller diameter 60mm
supply 220-240V/50-60Hz
application refrigeration
bearing rubber

fig.	Part No.	RL (mm)	LCT (mm)	P (W)	connection	temp. (°C)
2	601812	180	18	13	plug	-30 up to +100



TRIAL



1

technical data:
supply 220V/50Hz
application universal
bearing silicone

fig.	Part No.	roller ø (mm)	RL (mm)	LCT (mm)	P (W)	connection	temp. (°C)
1	601824	60	180	13	-	F6.3	-10 up to +60



2

technical data:
supply 220V/50Hz
application universal
bearing silicone

fig.	Part No.	roller ø (mm)	RL (mm)	LCT (mm)	P (W)	connection	temp. (°C)
2	601768	90	397		70	screw	-40 up to +70

ebm-papst



1

technical data:
supply 230V/50Hz
application refrigeration
bearing rubber
connection male faston 6.3mm
temperature range 0 up to +60°C

fig.	Part No.	type	roller ø (mm)	RL (mm)	LCT (mm)	P (W)	airflow (m³/h)
1	601146	QL4/0010-2112	40	100	12	10	36



2

technical data:
supply 230V/50Hz
application refrigeration
bearing rubber
connection male faston 6.3mm
temperature range 0 up to +60°C

fig.	Part No.	type	roller ø (mm)	RL (mm)	LCT (mm)	P (W)	airflow (m³/h)
2	601171	QL4/0015-2112	40	150	12	14	50



3

technical data:
supply 230V/50Hz
application refrigeration
bearing rubber
connection male faston 6.3mm
temperature range 0 up to +60°C

fig.	Part No.	type	roller ø (mm)	RL (mm)	LCT (mm)	P (W)	airflow (m³/h)
3	601297	QL4/2000 A6-2118L	40	200	18	17	80



4

technical data:
supply 230V/50Hz
application refrigeration
bearing rubber
connection male faston 6.3mm
temperature range 0 up to +60°C

fig.	Part No.	type	roller ø (mm)	RL (mm)	LCT (mm)	P (W)	airflow (m³/h)
4	601000	QLK45/0006-2513	45	60	13	15	36
4	601895	QLK45/0012-2513	45	120	13	17	80
4	601907	QLK45/0018-2518	45	180	18	26	125
4	601898	QLK45/0024-2524	45	240	24	32	190
4	601900	QLK45/0030-2524	45	300	24	32	200



5

technical data:
supply 230V/50Hz
application refrigeration
bearing rubber
connection male faston 6.3mm
temperature range 0 up to +60°C


fig.	Part No.	type	roller ø (mm)	RL (mm)	LCT (mm)	P (W)	airflow (m³/h)
5	601896	QLK45/0600-2513	45	60	13	15	36
5	601128	QLK45/1200 A1-2513L-13	45	120	13	17	80
5	601034	QLK45/1200-2513	45	120	13	17	80
5	601052	QLK45/1800-2518	45	180	18	26	125
5	601899	QLK45/2400-2524	45	240	24	32	190
5	601901	QLK45/3000-2524	45	300	24	32	200



6

technical data:
supply 230V/50Hz
application refrigeration
bearing rubber
connection male faston 6.3mm
temperature range 0 up to +60°C

fig.	Part No.	type	roller ø (mm)	RL (mm)	LCT (mm)	P (W)	airflow (m³/h)
6	601988	QLZ06/0006-2513	60	60	13	15	40
6	601989	QLZ06/0012-2513	60	120	13	20	70
6	601650	QLZ06/0018-2518	60	180	18	30	130
6	601902	QLZ06/0018-2524	60	180	24	33	150
6	601651	QLZ06/0024-3030	60	240	30	38	170
6	601904	QLZ06/0030-3038	60	300	38	45	230

technical data:
 supply 230V/50Hz
 application refrigeration
 bearing rubber
 connection male faston 6.3mm
 temperature range 0 up to +60°C

7

fig.	Part No.	type	roller ø (mm)	RL (mm)	LCT (mm)	P (W)	airflow (m³/h)
7	601047	QLZ06/0600-2513	60	60	13	17	40
7	601990	QLZ06/1200-2513	60	120	13	20	70
7	601437	QLZ06/1800-2518	60	180	18	31	130
7	601991	QLZ06/1800-2524	60	180	24	33	150
7	601936	QLZ06/1800A265-2524	60	180	28	31	160
7	601903	QLZ06/2400-3030	60	240	30	33	170
7	601905	QLZ06/3000-3038	60	300	38	45	230



technical data:
 supply 230V/50Hz
 application refrigeration
 bearing silicone
 connection F 6.3
 temperature range 0 up to +60°C

1

fig.	Part No.	type	roller ø (mm)	RL (mm)	LCT (mm)	P (W)	airflow (m³/h)
1	601652	QL4/2500-2118	40	250	18	15	100



technical data:
 supply 230V/50Hz
 application refrigeration
 bearing silicone
 connection F 6.3
 temperature range 0 up to +60°C

2


fig.	Part No.	type	roller ø (mm)	RL (mm)	LCT (mm)	P (W)	airflow (m³/h)
2	601505	QLN65/2400A17-3030L	65	240	29	22	



technical data:
 supply 220-240V/50-60Hz
 application universal
 bearing silicone
 connection male faston 6.3mm
 temperature range 0 up to +60°C

1

fig.	Part No.	type	roller ø (mm)	RL (mm)	LCT (mm)	P (W)	airflow (m³/h)
1	601291	QLZ06/0018A335	60	180	23	30	150



technical data:
 supply 220-240V/50-60Hz
 application universal
 bearing silicone
 connection male faston 6.3mm
 temperature range 0 up to +60°C

2

fig.	Part No.	type	roller ø (mm)	RL (mm)	LCT (mm)	P (W)	airflow (m³/h)
2	601290	QLZ06/1800A310	60	180	23	30	170


EMMEVI



technical data:
 roller diameter 60mm
 application universal
 bearing silicone
 temperature range -10 up to +60°C

1

fig.	Part No.	RL (mm)	LCT (mm)	supply	P (W)	connection
1	601018	180		230V/50Hz	25	F6.3



technical data:
 roller diameter 60mm
 application universal
 bearing silicone
 temperature range -10 up to +60°C

2

fig.	Part No.	RL (mm)	LCT (mm)	supply	P (W)	connection
2	601561	180	12	230V/50-60Hz	14	F6.3



technical data:
 roller diameter 60mm
 application universal
 bearing silicone
 temperature range -10 up to +60°C

3

fig.	Part No.	RL (mm)	LCT (mm)	supply	P (W)	connection
3	601005	180	15	230V/50Hz	20	F6.3



technical data:
 roller diameter 60mm
 application universal
 bearing silicone
 temperature range -10 up to +60°C

4

fig.	Part No.	RL (mm)	LCT (mm)	supply	P (W)	connection
4	601111	360	40	230V/50Hz	58	cabl 3400mm



technical data:
 roller diameter 60mm
 application universal
 bearing silicone
 temperature range -10 up to +60°C

5

fig.	Part No.	RL (mm)	LCT (mm)	supply	P (W)	connection
5	601718	420	30	230V/50Hz	32	F6.3



6

technical data:
roller diameter 60mm
application universal
bearing silicone
temperature range -10 up to +60°C

fig.	Part No.	RL (mm)	LCT (mm)	supply	P (W)	connection
6	601668	2x180	30	230V/50Hz	29	F6.3



1

technical data:
roller diameter 60mm
supply 230V/50Hz
application refrigeration
bearing rubber

fig.	Part No.	RL (mm)	LCT (mm)	P (W)	connection	temp. (°C)
1	601110	180	20	28	F6.3	-30 up to +100



2

technical data:
roller diameter 60mm
supply 230V/50Hz
application refrigeration
bearing rubber

fig.	Part No.	RL (mm)	LCT (mm)	P (W)	connection	temp. (°C)
2	601852	420	40	65	cable	-10 up to +60

COPREL

with standard coil



1

technical data:
supply 230V/50Hz
application refrigeration
bearing rubber
temperature range -10 up to +60°C

fig.	Part No.	roller ø (mm)	RL (mm)	LCT (mm)	MP	P (W)	connection
1	601102	45	300		left	35	F6.3



2

technical data:
supply 230V/50Hz
application refrigeration
bearing rubber
temperature range -10 up to +60°C

fig.	Part No.	roller ø (mm)	RL (mm)	LCT (mm)	MP	P (W)	connection
2	601033	60	90	15	right	18	F6.3
2	601028	60	120	15	right	19	F6.3
2	601025	60	180	15	right	19	F6.3
2	601105	60	180	30	right	37	F6.3
2	601106	60	240	30	right	40	F6.3
2	601107	60	270	30	right	40	F6.3
2	601108	60	360	35	right	50	F6.3



3

technical data:
supply 230V/50Hz
application refrigeration
bearing rubber
temperature range -10 up to +60°C

fig.	Part No.	roller ø (mm)	RL (mm)	LCT (mm)	MP	P (W)	connection
3	601032	60	180	15	left	19	F6.3
3	601671	60	240	30	left	37	F6.3
3	601101	60	300	30	left	43	F6.3



1

technical data:
application universal
bearing silicone
temperature range -30 up to +100°C

fig.	Part No.	roller ø (mm)	RL (mm)	LCT (mm)	MP	supply	P (W)	connection
1	601454	45	120		right	230V/50Hz	17	F6.3
1	601613	45	240		right	230V/50Hz	25	F6.3
1	601614	45	300		right	230V/50Hz	43	F6.3
1	601616	45	360		right	230V/50Hz	48	F6.3



2

technical data:
application universal
bearing silicone
temperature range -30 up to +100°C

fig.	Part No.	roller ø (mm)	RL (mm)	LCT (mm)	MP	supply	P (W)	connection
2	601611	45	120	20	left	230V/50Hz	24	F6.3
2	601248	45	180	20	left	230V/50-60Hz	26	F6.3
2	601612	45	240	20	left	230V/50Hz	25	F6.3



3

technical data:
application universal
bearing silicone
temperature range -30 up to +100°C

fig.	Part No.	roller ø (mm)	RL (mm)	LCT (mm)	MP	supply	P (W)	connection
3	601051	45	120	20	right	230V/50Hz	25	F6.3




technical data:
application universal
bearing silicone
temperature range -30 up to +100°C

4

fig.	Part No.	roller ø (mm)	RL (mm)	LCT (mm)	MP	supply	P (W)	connection
4	601036	60	120	15	left	230V/50Hz	18	F6.3
4	601452	60	180	20	left	230V/50Hz	22	F6.3
4	601947	60	360	19	left	230V/50Hz	26	F6.3



technical data:
application universal
bearing silicone
temperature range -30 up to +100°C

5


fig.	Part No.	roller ø (mm)	RL (mm)	LCT (mm)	MP	supply	P (W)	connection
5	601031	60	180	15	right	24V/50Hz	-	F6.3



technical data:
application universal
bearing silicone
temperature range -30 up to +100°C

6

fig.	Part No.	roller ø (mm)	RL (mm)	LCT (mm)	MP	supply	P (W)	connection
6	601453	60	180	16	right	230V/50-60Hz	17	F6.3




technical data:
application universal
bearing silicone
temperature range -30 up to +100°C

7

fig.	Part No.	roller ø (mm)	RL (mm)	LCT (mm)	MP	supply	P (W)	connection
7	601646	60	180	20	left	230V/50Hz	25	F6.3
7	601647	60	300	30	left	230V/50Hz	45	F6.3


with moulded coils



technical data:
roller diameter 60mm
supply 230V/50Hz
application refrigeration
bearing rubber
temperature range -10 up to +60°C

1


fig.	Part No.	RL (mm)	LCT (mm)	MP	P (W)	connection
1	601640	90	15	left	18	cable 2000mm
1	601641	120	15	left	19	cable 2000mm
1	601176	180	20	left	25	cable 1200mm
1	601642	240	20	left	25	cable 2000mm
1	601643	270	30	left	33	cable 2000mm
1	601644	300	30	left	43	cable 2000mm



technical data:
roller diameter 60mm
supply 230V/50Hz
application refrigeration
bearing rubber
temperature range -10 up to +60°C

2


fig.	Part No.	RL (mm)	LCT (mm)	MP	P (W)	connection
2	601547	90	15	right	18	cable 1000mm
2	601637	120	15	right	19	cable 2000mm
2	601636	180	20	right	25	cable 2000mm
2	601638	240	20	right	25	cable 2000mm
2	601639	270	30	right	33	cable 2000mm
2	601434	300	30	right	43	cable 1800mm



technical data:
roller diameter 60mm
supply 230V/50Hz
application refrigeration
bearing rubber
temperature range -10 up to +60°C

3

fig.	Part No.	RL (mm)	LCT (mm)	MP	P (W)	connection
3	601398	180	20	left	25	cable 2400mm
3	601399	270	35	left	49	cable 2700mm



technical data:
roller diameter 60mm
supply 230V/50Hz
application refrigeration
bearing rubber
temperature range -10 up to +60°C

4

fig.	Part No.	RL (mm)	LCT (mm)	MP	P (W)	connection
4	601057	270	20	left	26	cable 1500mm
4	601058	300	20	left	34	cable 1500mm



1

technical data:
motor position right
supply 230V/50Hz
application universal
bearing silicone
temperature range -30 up to +100°C

fig.	Part No.	roller ø (mm)	RL (mm)	LCT (mm)	P (W)	connection
1	601456	45	180	15	26	F6.3



2

technical data:
motor position right
supply 230V/50Hz
application universal
bearing silicone
temperature range -30 up to +100°C

fig.	Part No.	roller ø (mm)	RL (mm)	LCT (mm)	P (W)	connection
2	601340	60	180	30	19	F6.3



3

technical data:
motor position right
supply 230V/50Hz
application universal
bearing silicone
temperature range -30 up to +100°C

fig.	Part No.	roller ø (mm)	RL (mm)	LCT (mm)	P (W)	connection
3	601194	60	300	20	43	F6.3

double fans



1

technical data:
roller diameter 60mm
motor position centre
supply 230V/50Hz

fig.	Part No.	RL (mm)	LCT (mm)	P (W)	app.	bearing	connection	temp. (°C)
1	601455	2x180	35	30	universal	silicone	F 6.3	-30 up to +100



2

technical data:
roller diameter 60mm
motor position centre
supply 230V/50Hz

fig.	Part No.	RL (mm)	LCT (mm)	P (W)	app.	bearing	connection	temp. (°C)
2	601026	2x180	35	42	refrigeration	rubber	F6.3	-10 up to +60



3

technical data:
roller diameter 60mm
motor position centre
supply 230V/50Hz

fig.	Part No.	RL (mm)	LCT (mm)	P (W)	app.	bearing	connection	temp. (°C)
3	601645	2x180	43	43	refrigeration	rubber	F6.3	-10 up to +60

cross flow fan with heater battery

roller diameter ø60mm



pos.	Part No.	RL (mm)	MP	volt. (V)	P (W)	heat output (W)
1	601027	180	right	230	17	2000

accessories for cross flow fans

heater battery




1

fig.	Part No.	volt. (V)	P (W)	H (mm)	W (mm)	MD (mm)	TR (°C)	HC	connection	CL (mm)
1	415121	230	2000	35	40	185		2	cable	150
1	415114	230	2000	35	40	185	105	2	cable	150




2

fig.	Part No.	volt. (V)	P (W)	H (mm)	W (mm)	MD (mm)	TR (°C)	HC	connection	CL (mm)
2	415122	230	2000	35	40	185	105	2	cable	340
2	420267	230	2000	35	40	185	105	2	cable	340

3

fig.	Part No.	volt. (V)	P (W)	H (mm)	W (mm)	MD (mm)	TR (°C)	HC	connection	CL (mm)
3	415115	230	2000	40	38	185	125	2	F6.3	



4

fig.	Part No.	volt. (V)	P (W)	H (mm)	W (mm)	MD (mm)	TR (°C)	HC	connection	CL (mm)
4	420240	240/415	6000	45	90	-	125	6	F6.3	-

hot air motors

ACP



1 2

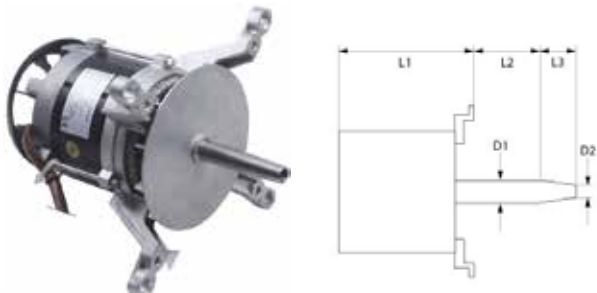
fig.	Part No.	description	Ref. No.
1	514445	fan wheel D1 ø 108mm H1 62mm vanes 24 D2 ø 6mm D3 ø 6mm H2 12mm H3 54mm	C3670809
2	514444	fan wheel D1 ø 110mm H1 51mm D2 ø 6mm D3 ø 6mm H2 15mm H3 50mm	12138201

Ambach



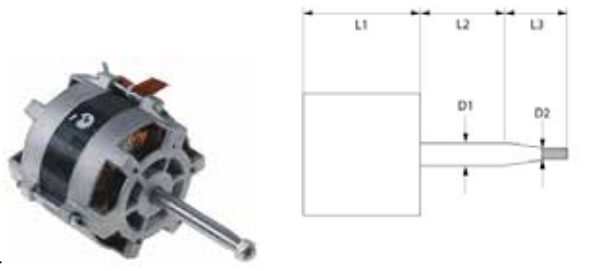
1 2

fig.	Part No.	description	Ref. No.
1	550857	counterflange for fan motor ED ø 50mm int. ø 1 25mm int. ø 2 16mm thickness 6mm brass	R58003870
2	550859	counterflange for fan motor ED ø 60mm int. ø 1 34mm int. ø 2 25mm thickness 6mm brass	R58003850




3

fig.	Part No.	description	Ref. No.
3	500137	fan motor 200-240/415V 3 phase 50/60Hz 0,185/0,55kW 900/1400rpm speeds 2 L1 190mm L2 45mm	R65040051
3	500136	fan motor 220-240V 1 phase 50/60Hz 0,55kW 1400rpm speeds 1 L1 190mm L2 47mm L3 47mm D1 ø 24mm	R65040041




4

fig.	Part No.	description	Ref. No.
4	500661	fan motor 220-240V 1 phase 50Hz 0,03/0,2kW 0,05/0,25HP 1400/2700rpm speeds 2 L1 123mm L2 77mm	R65040431
4	500663	fan motor 230V 1 phase 50Hz 0,18kW 0,25HP 2800rpm speeds 1 L1 123mm L2 77mm L3 30mm D1 ø 15mm	R65040421



5 6

fig.	Part No.	description	Ref. No.
5	601243	fan wheel D1 ø 220mm H1 78mm vanes 12 D2 ø 11mm D3 ø 16mm H2 29mm	R75400400
6	601244	fan wheel D1 ø 350mm H1 114mm vanes 12 D2 ø 19,5mm D3 ø 23mm H2 45mm	R75400440



7 8 9 10

fig.	Part No.	description	Ref. No.
7	550856	flange for fan motor ED ø 50mm int. ø 1 19,5mm int. ø 2 16mm thickness 3mm brass	R58003860
8	550858	flange for fan motor ED ø 60mm int. ø 1 28,5mm int. ø 2 25mm thickness 4mm brass	R58003840
9	511171	shaft seal ID ø 14,5mm ED ø 20mm thickness 3mm	R70020040
10	511172	shaft sealing ID ø 24mm ED ø 29mm thickness 3mm	R70020050



Ambassade



1

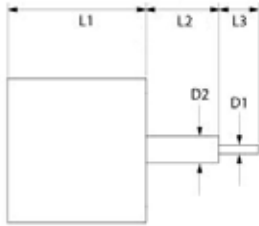
fig.	Part No.	description	Ref. No.
1	601221	fan wheel D1 ϕ 180mm H1 60mm vanes 12 D2 ϕ 9mm D3 ϕ 12,5mm H2 35mm	65260003

Angelo-Po



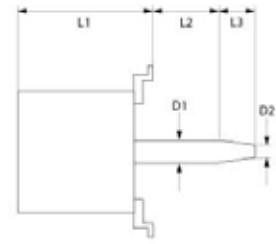
1

fig.	Part No.	description	Ref. No.
1	601104	fan motor 220-240V 1 phase 50/60Hz 0,045/0,0765kW 2800/3400rpm speeds 1 L1 97mm L2 41mm L3 19mm	32M4301



4

fig.	Part No.	description	Ref. No.
4	601713	fan motor 230/400V 1 phase 50/60Hz 0,55kW 0,75HP 1400rpm speeds 1 L1 200mm L2 53mm L3 32mm	32M6722



5

fig.	Part No.	description	Ref. No.
5	601221	fan wheel D1 ϕ 180mm H1 60mm vanes 12 D2 ϕ 9mm D3 ϕ 12,5mm H2 35mm	32M4271



6

fig.	Part No.	description	Ref. No.
6	514449	fan wheel D1 ϕ 300mm H1 120mm blades 24 D2 ϕ 19,5mm D3 ϕ 23,5mm H2 46mm	32M6741



7

fig.	Part No.	description	Ref. No.
7	601209	fan wheel D1 ϕ 400mm H1 135mm vanes 20 D2 ϕ 12mm D3 ϕ 18mm H2 54mm	32M3992



8

fig.	Part No.	description	Ref. No.
8	697866	flange for fan motor ED ϕ 58mm int. ϕ 1 38,8mm int. ϕ 2 19/23mm brass	33Q5690



9

fig.	Part No.	description	Ref. No.
9	550686	gasket for fan motor ID ϕ 12mm ED ϕ 58mm thickness 1mm with 3 screw holes	37Q0250



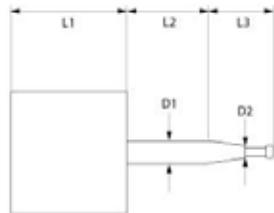
10

fig.	Part No.	description	Ref. No.
10	550690	shaft sealing for fan motor	3150900



3

fig.	Part No.	description	Ref. No.
3	601211	fan motor 230/400-415V 3 phase 50/60Hz 0,25kW 1400/1600rpm speeds 1 L1 175mm L2 70mm L3 27mm	32M3820



Bake-Off



fig.	Part No.	description	Ref. No.
1	602014	fan motor 208-240V 1 phase 60Hz kW rpm speeds 2 L1 98mm L2 71mm D1 ø 8mm M5 A	753000120

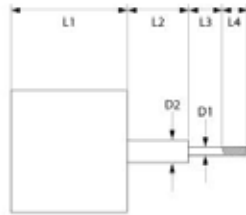


fig.	Part No.	description	Ref. No.
2	601784	fan motor 220/240V 1 phase 50/60Hz 0,18/0,12kW 2750/3300rpm speeds 1 L1 94mm L2 31mm L3 23mm	353000035

Bertos

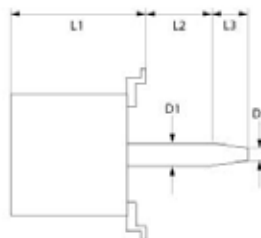


fig.	Part No.	description	Ref. No.
1	601046	fan motor 220/380V 3 phase 50/60Hz 0,75kW 1350/1650rpm speeds 1 L1 185mm L2 42mm L3 47mm	24119100

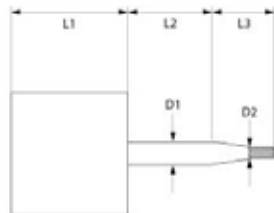


fig.	Part No.	description	Ref. No.
2	601043	fan motor 220-240V 1 phase 50Hz 0,37/0,07kW 0,1/0,5HP 1400/2700rpm speeds 2 L1 123mm L2 107mm	23118300
2	601166	fan motor 220-240V 1 phase 50Hz 0,37kW 2700rpm speeds 1 L1 123mm L2 77mm L3 30mm D1 ø 15mm	24118500



fig.	Part No.	description	Ref. No.
3	601067	fan wheel D1 ø 150mm H1 38mm vanes 36 D2 ø 6mm D3 ø 6mm H2 14mm	25647200

Blue Seal

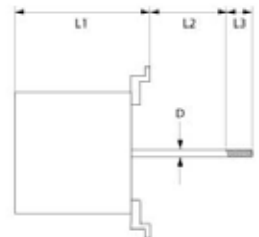


fig.	Part No.	description	Ref. No.
1	601474	fan motor 230V 1 phase 50/60Hz 0,03kW 3600rpm speeds 1 L1 115mm L2 20mm L3 32mm ø 12mm	024431

Bonnet

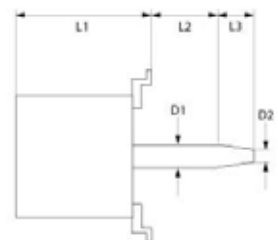


fig.	Part No.	description	Ref. No.
1	500812	fan motor 220-240/380-415V 3 phase 50 Hz 0,26 kW 1440 rpm speeds 1 D1 ø 17 mm D2 ø 13,5 mm	71251E

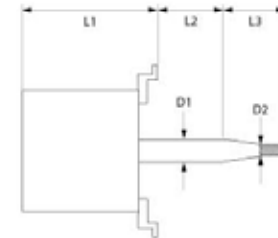


fig.	Part No.	description	Ref. No.
2	499206	fan motor 230/400V 3 phase 50/60Hz 0,12kW 1400/1700rpm speeds 2 L1 145mm L2 30mm L3 25mm	304267



Bourgeois

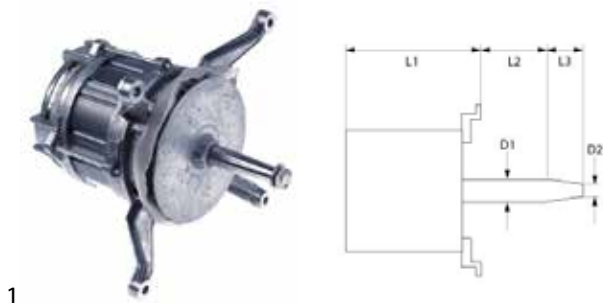


fig.	Part No.	description	Ref. No.
1	500812	fan motor 220-240/380-415V 3 phase 50 Hz 0,26 kW 1440 rpm speeds 1 D1 ø 17 mm D2 ø 13,5 mm	MOT108



fig.	Part No.	description	Ref. No.
2	601805	fan motor 230V 1 phase 50/60Hz 0,185 kW 1400/1680rpm speeds 2 L1 130 mm L2 27 mm L3 37 mm	07877



fig.	Part No.	description	Ref. No.
3	601803	fan wheel D1 ø 280mm H1 70mm vanes 12 D2 ø 13mm D3 ø 16mm H2 16mm H3 21mm	MOT2020
4	601744	fan wheel D1 ø 350mm H1 108mm vanes 12 D2 ø 16,5mm D3 ø 13mm H2 39mm H3 72mm	00906D



fig.	Part No.	description	Ref. No.
5	601804	fan wheel D1 ø 350mm H1 70mm vanes 12 D2 ø 13mm D3 ø 16mm H2 16mm H3 21mm	MOT2019

Capic



fig.	Part No.	description	Ref. No.
1	500106	hot air fan 230V 1 phase 50Hz 0,12kW 2600rpm speeds 1 L1 100mm L2 34mm L3 33mm L4 178mm	13390026

Convotherm

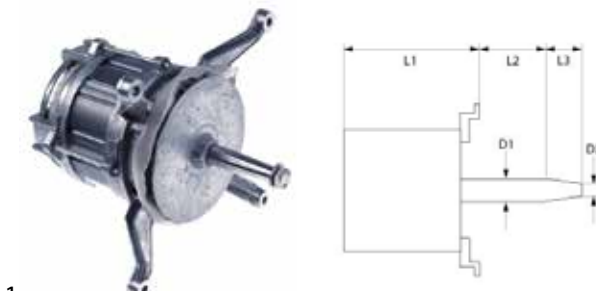


fig.	Part No.	description	Ref. No.
1	601719	fan motor 200-240/346-415V 200-254/346-480V 3 phase 50/60Hz 0,4/0,68kW 1420/1700rpm speeds 1	5008036K
1	601733	fan motor 380-415/380-480V 3 phase 50/60Hz 0,4/0,68kW 1420/1720rpm L1 155mm L2 45mm L3 55mm	5008060K

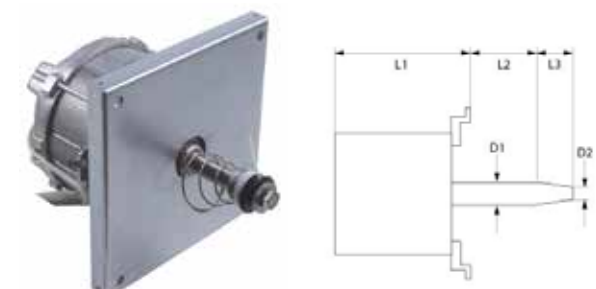



fig.	Part No.	description	Ref. No.
2	601720	fan motor 200-240/346-415V 200-254/346-480V 3 phase 50/60Hz 0,6 kW 1380/1650rpm speeds 1	2617286




fig.	Part No.	description	Ref. No.
3	602027	fan motor 230V 1 phase 50/60Hz 0,12kW 2800/3400rpm L1 86mm L2 56mm L3 10mm ø 135mm	2618802
4	605169	fan motor 380-415/380-480V 3 phase 50/60Hz 0,9 kW 700/1380rpm speeds 2 L1 205 mm L2 30 mm L3 65 mm	2617285

5 6

fig.	Part No.	description	Ref. No.
5	601872	fan wheel D1 \varnothing 200mm H1 43mm vanes 45 D2 \varnothing 8,3mm D3 \varnothing 8,3mm H2 25mm	2618803
6	514426	fan wheel D1 \varnothing 350mm H1 110mm vanes 12 D2 \varnothing 16,8mm D3 \varnothing 13,2mm H2 15mm H3 75mm	6010001



7 8

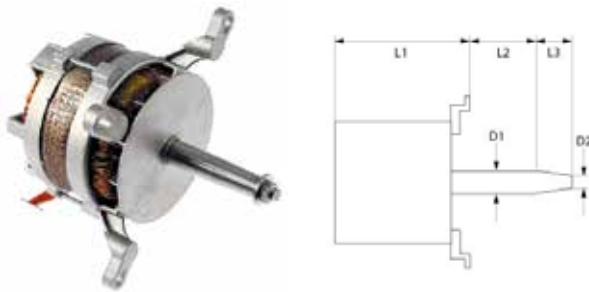
fig.	Part No.	description	Ref. No.
7	601873	fan wheel D1 \varnothing 405mm H1 150mm vanes 12 D2 \varnothing 14mm D3 \varnothing 17mm H2 22mm	2619959
8	402888	motor three phase current 0,6 kW 380-415V 50/60Hz 3 phase 0,6-1,6A shaft \varnothing 17 mm shaft length 88 mm	2617283

Cookmax



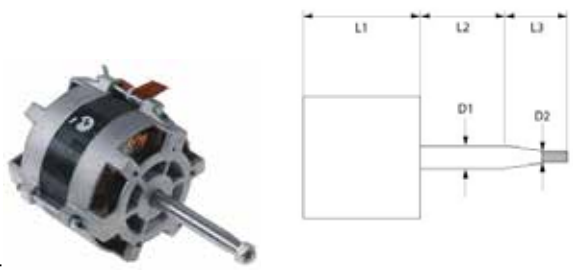
1 2

fig.	Part No.	description	Ref. No.
1	550857	counterflange for fan motor ED \varnothing 50mm int. \varnothing 1 25mm int. \varnothing 2 16mm thickness 6mm brass	R58003870
2	550859	counterflange for fan motor ED \varnothing 60mm int. \varnothing 1 34mm int. \varnothing 2 25mm thickness 6mm brass	R58003850



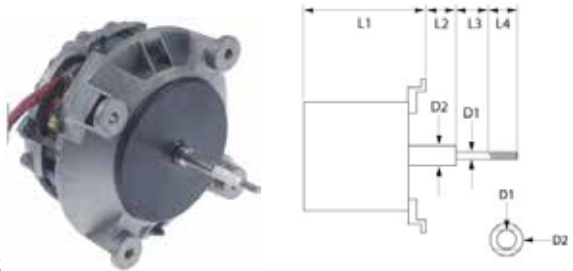
3

fig.	Part No.	description	Ref. No.
3	500658	fan motor 230/400V 3 phase 50/60Hz 0,55kW 1400/1700rpm speeds 1 L1 145mm L2 47mm L3 47mm	R65040530



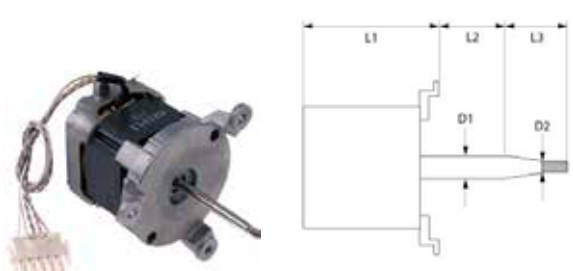
4

fig.	Part No.	description	Ref. No.
4	500663	fan motor 230V 1 phase 50Hz 0,18kW 0,25HP 2800rpm speeds 1 L1 123mm L2 77mm L3 30mm D1 \varnothing 15mm	R65040421



5

fig.	Part No.	description	Ref. No.
5	601493	fan motor 230V 3 phase 50Hz speeds 1 L1 85mm L2 32mm L3 28mm L4 29mm D1 \varnothing 8mm D2 \varnothing 12mm	VN1000B0



6

fig.	Part No.	description	Ref. No.
6	601492	fan motor L1 130mm L2 18mm L3 23mm D1 \varnothing 8mm D2 \varnothing 7mm mounting thread M6R ET	KVN017



7 8

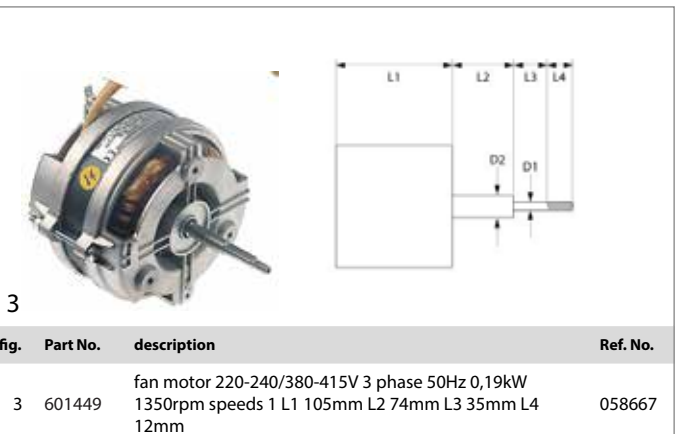
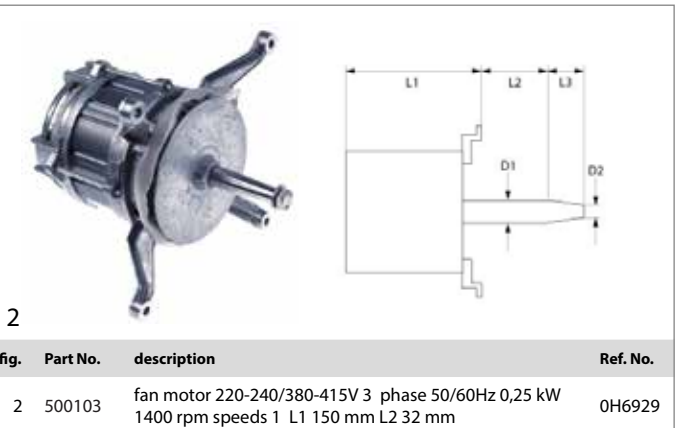
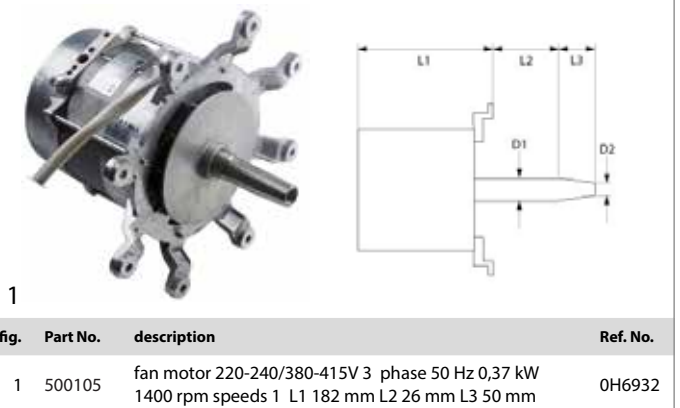
fig.	Part No.	description	Ref. No.
7	601353	fan wheel D1 \varnothing 150mm H1 50mm vanes 36 D2 \varnothing 8mm D3 \varnothing 6/8mm H2 26mm	R75400510
8	601450	fan wheel D1 \varnothing 160mm H1 45mm vanes 36 D2 \varnothing 8mm D3 \varnothing 8mm H2 24mm	403000250



ebm-papst



Electrolux



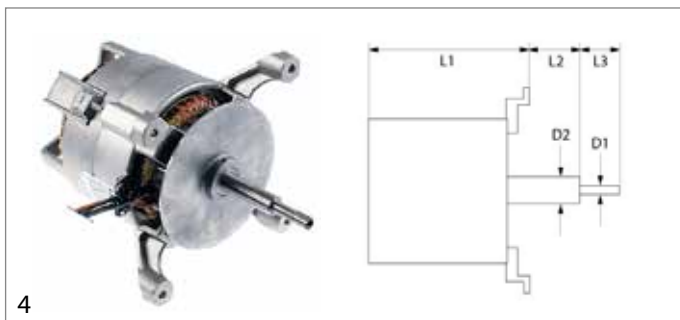


fig.	Part No.	description	Ref. No.
4	500141	fan motor 230V 1 phase 50/60Hz 0,19kW 1450/1750rpm speeds 1 L1 150mm L2 52mm L3 35mm D1 ø 9/10mm	0F0007
4	500143	fan motor 230V 1 phase 50/60Hz 0,35kW 1400/1700rpm speeds 1 L1 165mm L2 91mm L3 35mm D1 ø 9/10mm	002739
4	601222	fan motor 230V 1 phase 50Hz 0,06/0,19kW 890/1395rpm speeds 2 L1 165mm L2 49mm L3 35mm	006998
4	500142	fan motor 230V 1 phase 50Hz 0,06/0,19kW 930/1380rpm speeds 2 L1 160mm L2 52mm L3 35mm	002698
4	500144	fan motor 230V 1 phase 50Hz 0,11/0,35kW 900/1400rpm speeds 2 L1 165mm L2 91mm L3 35mm	002748
4	500816	fan motor 230V 1 phase 50Hz 0,22/0,75kW 955/1460rpm speeds 2 L1 175mm L2 52mm L3 32mm	0C6563



fig.	Part No.	description	Ref. No.
5	601219	fan wheel D1 ø 350mm H1 135mm vanes 6 D2 ø 10mm D3 ø 10mm H2 13mm H3 24mm	0C6461
6	601234	fan wheel D1 ø 380mm H1 170mm vanes 12 D2 ø 10mm D3 ø 10mm H2 38mm H3 19mm	0C6464



fig.	Part No.	description	Ref. No.
7	511300	gasket for motor shaft ID ø 29mm ED ø 35mm for series 57	002873
8	511301	shaft seal ID ø 16mm ED ø 38mm thickness 18mm	002699

Eloma



fig.	Part No.	description	Ref. No.
1	510675	counterflange for fan motor ED ø 60mm int. ø 2 30mm thickness 5mm stainless steel	EL0373621

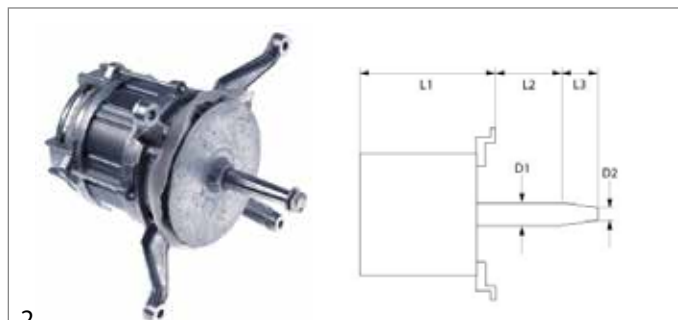


fig.	Part No.	description	Ref. No.
2	500102	fan motor 230-240V 1 phase 50 Hz 0,09 kW 1390 rpm speeds 1 L1 150 mm L2 32 mm L3 27 mm ø 125 mm	EL0332410

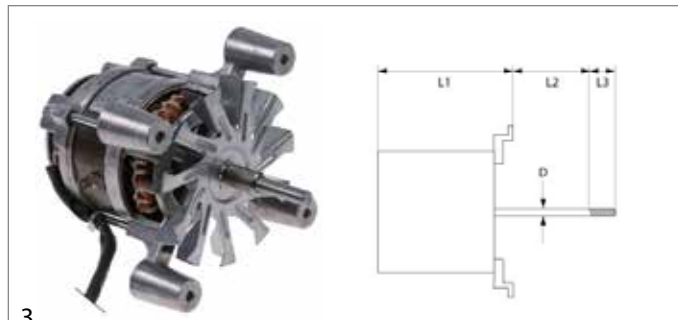


fig.	Part No.	description	Ref. No.
3	601474	fan motor 230V 1 phase 50/60Hz 0,03kW 3600rpm speeds 1 L1 115mm L2 20mm L3 32mm ø 12mm	EL0693286



fig.	Part No.	description	Ref. No.
4	601871	fan motor 230V 1 phase 50Hz 85kW 2400rpm speeds 1 L1 85mm L2 40mm L3 33mm L4 133,5mm	EL0302821
4	500106	hot air fan 230V 1 phase 50Hz 0,12kW 2600rpm speeds 1 L1 100mm L2 34mm L3 33mm L4 178mm	—

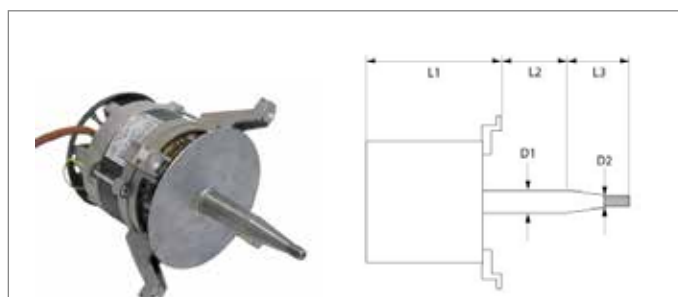

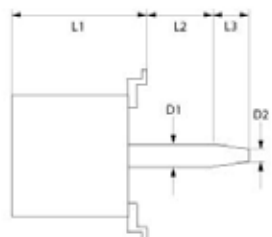


fig.	Part No.	description	Ref. No.
5	601864	fan motor 380-415V 3 phase 50Hz 0,21kW 700/1400rpm speeds 2 L1 160mm L2 25mm L3 40mm D1 ø 17mm	EL0509846


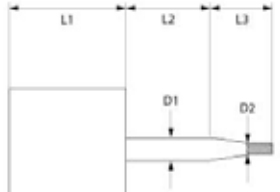


Emmepi

1

fig.	Part No.	description	Ref. No.
1	601046	fan motor 220/380V 3 phase 50/60Hz 0,75kW 1350/1650rpm speeds 1 L1 185mm L2 42mm L3 47mm	807314

2


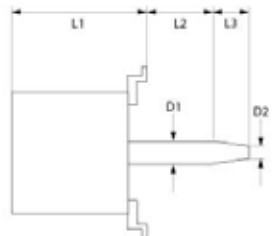
fig.	Part No.	description	Ref. No.
2	601043	fan motor 220-240V 1 phase 50Hz 0,37/0,07kW 0,1/0,5HP 1400/2700rpm speeds 2 L1 123mm L2 107mm	808973

Fagor




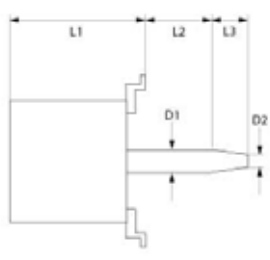
1

fig.	Part No.	description	Ref. No.
1	601301	fan motor 100-240V 1 phase 50/60Hz 0,45 kW 2000 rpm speeds 1 L1 160 mm M8R IT	12025570

2

fig.	Part No.	description	Ref. No.
2	601629	fan motor 208/240V 3 phase 50/60Hz 0,66/0,18kW 1400/700rpm speeds 2 L1 150mm L2 40mm L3 35mm	12018605

3

fig.	Part No.	description	Ref. No.
3	500506	fan motor 220-230V 3 phase 50Hz 0,02/0,16kW 710/1390rpm speeds 2 L1 152mm L2 31mm L3 35mm	12016554
3	500505	fan motor 220-240/380-415V 3 phase 50/60Hz 1,2/0,7kW 1440/1700rpm speeds 2 L1 140mm L2 27mm	12016565
3	601815	fan motor 230-240V 1 phase 50 Hz 0,450/0,615kW 1440 rpm speeds 1 L1 150 mm L2 34 mm L3 35 mm	12026105
3	601704	fan motor 240 V 3 phase 60 Hz 0,7 kW 1720 rpm speeds 1 L1 152 mm L2 31 mm L3 35 mm D1 ø 17 mm	12026125
3	601308	fan motor 240V 3 phase 60Hz 0,68kW 1730rpm speeds 1 L1 155mm L2 47mm L3 35mm D1 ø 17mm	12025795
3	500162	fan motor 380-415V 3 phase 50 Hz 0,08/0,45kW 700/1400rpm speeds 2 L1 147 mm L2 35 mm L3 35 mm	12025820
3	500168	fan motor 380-415V 3 phase 50 Hz 0,12/0,9kW 700/1380rpm speeds 2 L1 205 mm L2 47 mm L3 35 mm	12025825
3	601504	fan motor 380-415V 3 phase 50Hz 0,12/0,9kW 700/1380rpm speeds 2 L1 202mm L2 48mm L3 35mm	12018488
3	601299	fan motor 380-415V 3 phase 50Hz 0,12/0,9kW 700/1380rpm speeds 2 L1 205mm L2 40mm L3 35mm	12025895
3	500507	fan motor 400V 3 phase 50Hz 0,02/0,16kW 710/1390rpm speeds 2 L1 140mm L2 30mm L3 35mm	12016547
3	601551	fan motor V 3 phase 50/60Hz 0,65 kW 1400/1650rpm speeds 1 L1 147 mm L2 41 mm L3 36 mm M10R IT	12018468




4 5

fig.	Part No.	description	Ref. No.
4	601326	fan wheel	12025751
5	601327	fan wheel D1 ø 340mm H1 135mm vanes 9 D2 ø 13mm D3 ø 16mm H2 38mm	12027162




6 7

fig.	Part No.	description	Ref. No.
6	601306	fan wheel D1 ø 340mm H1 95mm vanes 9 D2 ø 13mm D3 ø 16mm H2 37mm	12027559
7	601503	fan wheel D1 ø 350mm H1 125mm vanes 12 D2 ø 13mm D3 ø 16mm	12016581

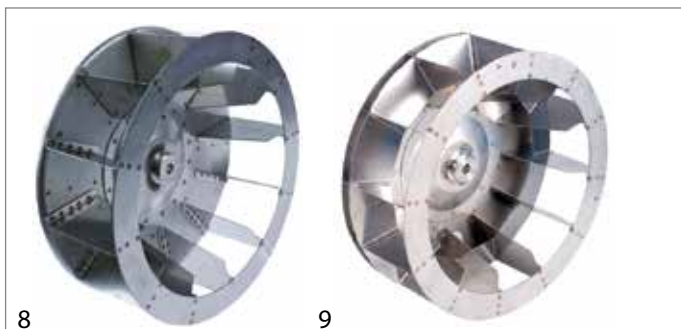


fig.	Part No.	description	Ref. No.
8	601795	fan wheel D1 ø 350mm H1 125mm vanes 12 D2 ø 13mm D3 ø 16mm H2 15mm	12024789
9	601322	fan wheel D1 ø 350mm H1 125mm vanes 12 D2 ø 13mm D3 ø 16mm H2 37mm	12026355



fig.	Part No.	description	Ref. No.
10	601323	fan wheel D1 ø 350mm H1 135mm vanes 12 D2 ø 13mm D3 ø 16mm H2 45mm	12026699
11	601324	fan wheel D1 ø 450mm H1 155mm vanes 12 D2 ø 13,5mm D3 ø 17mm H2 45mm	12025824



fig.	Part No.	description	Ref. No.
12	601502	fan wheel D1 ø 450mm H1 160mm vanes 12 D2 ø 13mm D3 ø 17mm	12018490
13	601325	fan wheel D1 ø 450mm H1 165mm vanes 12 D2 ø 14mm D3 ø 17mm H2 45mm	12026227

fig.	Part No.	description	Ref. No.
14	510587	flange for fan motor ED ø 60mm int. ø 1 24mm int. ø 2 18,5mm thickness 3mm steel	12033987
15	691680	flange for fan motor ED ø 60mm int. ø 1 28mm int. ø 2 19mm thickness 20mm SS	12017909
16	691049	shaft seal ID ø 17mm ED ø 28mm thickness 7mm	12024510
17	691891	spacer bush for fan motor ED ø 9mm H 11mm ID ø 6,5mm	12024172

Falcon


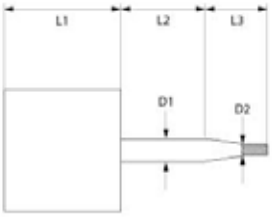
fig.	Part No.	description	Ref. No.
1	510675	counterflange for fan motor ED ø 60mm int. ø 2 30mm thickness 5mm stainless steel	530373621

fig.	Part No.	description	Ref. No.
2	500102	fan motor 230-240V 1 phase 50 Hz 0,09 kW 1390 rpm speeds 1 L1 150 mm L2 32 mm L3 27 mm ø 125 mm	530332410

Foinox

fig.	Part No.	description	Ref. No.
1	601046	fan motor 220/380V 3 phase 50/60Hz 0,75kW 1350/1650rpm speeds 1 L1 185mm L2 42mm L3 47mm	0840B

fig.	Part No.	description	Ref. No.
2	601354	fan motor 220-240V 1 phase 50Hz 0,11kW 2760rpm speeds 1 L1 130mm L2 32mm L3 30mm L4 18mm	1100C

3


fig.	Part No.	description	Ref. No.
3	601043	fan motor 220-240V 1 phase 50Hz 0,37/0,07kW 0,1/0,5HP 1400/2700rpm speeds 2 L1 123mm L2 107mm	0764
3	601166	fan motor 220-240V 1 phase 50Hz 0,37kW 2700rpm speeds 1 L1 123mm L2 77mm L3 30mm D1 ø 15mm	10705



4

fig.	Part No.	description	Ref. No.
4	601067	fan wheel D1 ø 150mm H1 38mm vanes 36 D2 ø 6mm D3 ø 6mm H2 14mm	15007



Galanz



1


fig.	Part No.	description	Ref. No.
1	601865	fan motor 220-240V 50Hz 0,036kW 2600rpm D1 ø 6mm shaft flat length 18mm	GMW1030-C05

Garbin

1 **2**


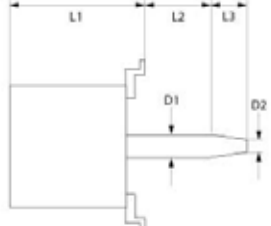
fig.	Part No.	description	Ref. No.
1	601993	fan motor 230V 1 phase 50 Hz 0,18/0,12kW 2800 rpm speeds 1 L1 85 mm L2 65 mm L3 23 mm	MOT017
2	602012	fan motor 230V 50 Hz kW 2800 rpm L1 130 mm L2 50 mm D1 ø 8 mm M5x0,8	KIT030



3


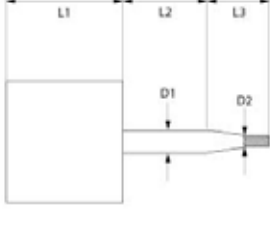
fig.	Part No.	description	Ref. No.
3	601854	fan motor 230V 1 phase 50/60Hz 0,26/0,40kW 2800/3200rpm speeds 1 L1 96mm L2 68mm D1 ø 6/8mm	MOT013

Gico

1

fig.	Part No.	description	Ref. No.
1	601848	fan motor 200-240/415V 3 phase 50/60Hz 1HP 1400rpm speeds 1 L1 210mm L2 45mm L3 47mm D1 ø 24mm	A00381

2

fig.	Part No.	description	Ref. No.
2	601090	fan motor 200-240V 1 phase 50/60Hz 0,18kW 0,25HP 1400rpm speeds 1 L1 123mm L2 41mm L3 30mm	293200840

Gierre



1

fig.	Part No.	description	Ref. No.
1	602023	fan wheel D1 ø 270mm H1 120mm blades 12 D2 ø 19,5mm D3 ø 23mm H2 46mm	VEL100



Giorik

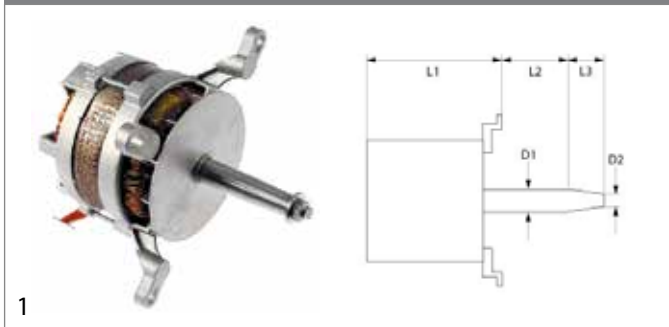


fig.	Part No.	description	Ref. No.
1	601046	fan motor 220/380V 3 phase 50/60Hz 0,75kW 1350/1650rpm speeds 1 L1 185mm L2 42mm L3 47mm	6033155

Hounö



fig.	Part No.	description	Ref. No.
1	602004	fan wheel vanes 12 D1 ø 350mm D2 ø 13mm D3 ø 16mm H1 133mm H2 14mm H3 32mm	60306

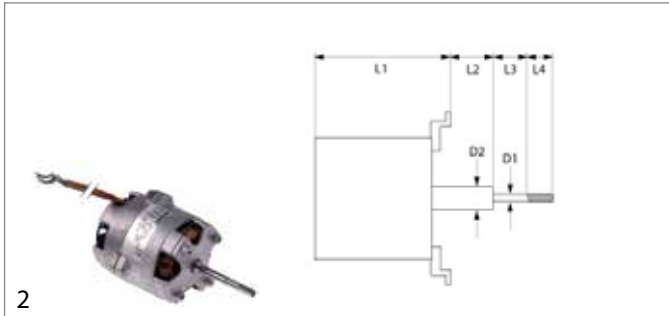


fig.	Part No.	description	Ref. No.
2	601354	fan motor 220-240V 1 phase 50Hz 0,11kW 2760rpm speeds 1 L1 130mm L2 32mm L3 30mm L4 18mm	—

Inoxtrend



fig.	Part No.	description	Ref. No.
1	511585	engine shaft gasket ID ø 17mm ED ø 21,5mm thickness 3,5mm conical	C2027-00

Hobart

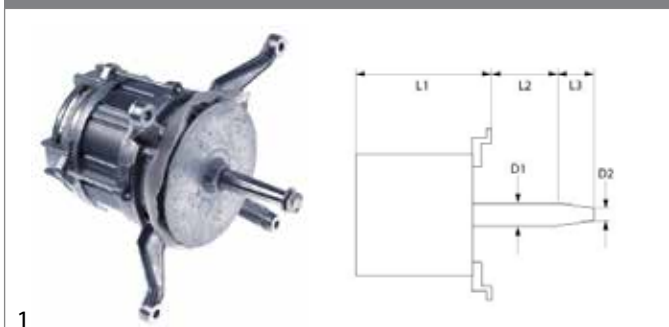


fig.	Part No.	description	Ref. No.
1	500812	fan motor 220-240/380-415V 3 phase 50 Hz 0,26 kW 1440 rpm speeds 1 D1 ø 17 mm D2 ø 13,5 mm	150443-54

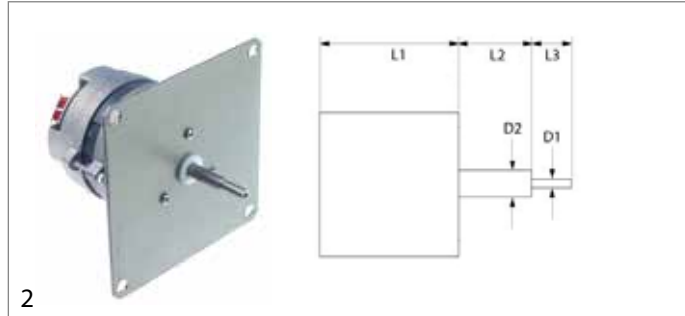


fig.	Part No.	description	Ref. No.
2	500629	fan motor 220-240V 1 phase 50/60Hz 0,045/0,0765kW 2800/3400rpm speeds 1 L1 95mm L2 33mm L3 19mm	C3610-00

Horeca-Select



fig.	Part No.	description	Ref. No.
1	601865	fan motor 220-240V 50Hz 0,036kW 2600rpm D1 ø 6mm shaft flat length 18mm	GMW1030-C05

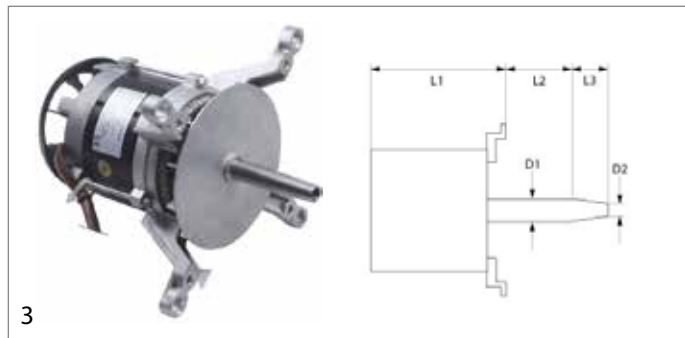




fig.	Part No.	description	Ref. No.
3	500630	fan motor 230/400V 3 phase 50Hz 0,37kW 2600rpm speeds 1 L1 175mm L2 50mm L3 28mm D1 ø 17mm	C2901-00

4

fig.	Part No.	description	Ref. No.
4	601816	fan motor 230V 1 phase 50Hz 0,25kW 2600rpm speeds 1 L1 90mm L2 38mm L3 24mm D1 ø 12mm	C9011-12




3

fig.	Part No.	description	Ref. No.
3	601449	fan motor 220-240/380-415V 3 phase 50Hz 0,19kW 1350rpm speeds 1 L1 105mm L2 74mm L3 35mm L4 12mm	058667



5 **6**

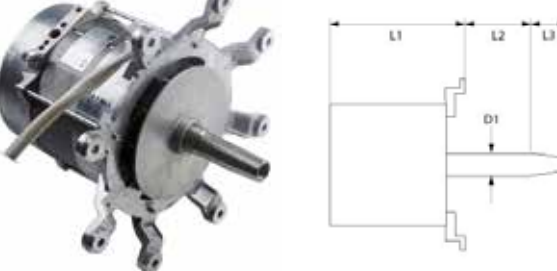
fig.	Part No.	description	Ref. No.
5	514257	fan wheel D1 ø 164mm H1 38mm vanes 36 D2 ø 8mm D3 ø 8mm H2 28mm	C3612-00
6	514261	fan wheel D1 ø 210mm H1 100mm vanes 20 D2 ø 11mm D3 ø 16mm H2 30mm	C2037-00



4

fig.	Part No.	description	Ref. No.
4	500141	fan motor 230V 1 phase 50/60Hz 0,19kW 1450/1750rpm speeds 1 L1 150mm L2 52mm L3 35mm D1 ø 9/10mm	0F0007
4	500143	fan motor 230V 1 phase 50/60Hz 0,35kW 1400/1700rpm speeds 1 L1 165mm L2 91mm L3 35mm D1 ø 9/10mm	002739
4	500142	fan motor 230V 1 phase 50Hz 0,06/0,19kW 930/1380rpm speeds 2 L1 160mm L2 52mm L3 35mm	005028
4	500144	fan motor 230V 1 phase 50Hz 0,11/0,35kW 900/1400rpm speeds 2 L1 165mm L2 91mm L3 35mm	002748

Juno




1

fig.	Part No.	description	Ref. No.
1	500105	fan motor 220-240/380-415V 3 phase 50 Hz 0,37 kW 1400 rpm speeds 1 L1 182 mm L2 26 mm L3 50 mm	0H6932



5 **6**

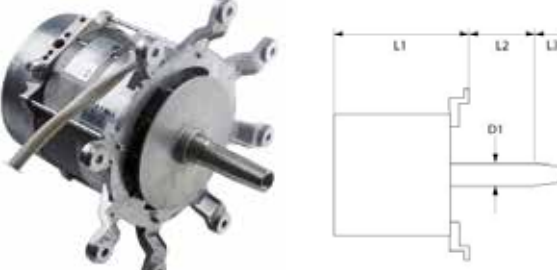
fig.	Part No.	description	Ref. No.
5	511300	gasket for motor shaft ID ø 29mm ED ø 35mm for series 57	002873
6	511301	shaft seal ID ø 16mm ED ø 38mm thickness 18mm	002699



2

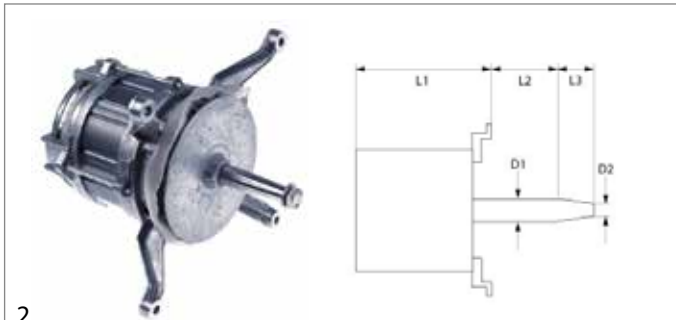
fig.	Part No.	description	Ref. No.
2	500103	fan motor 220-240/380-415V 3 phase 50/60Hz 0,25 kW 1400 rpm speeds 1 L1 150 mm L2 32 mm	0H6929

Krefft



1

fig.	Part No.	description	Ref. No.
1	500105	fan motor 220-240/380-415V 3 phase 50 Hz 0,37 kW 1400 rpm speeds 1 L1 182 mm L2 26 mm L3 50 mm	76-30010428



2

fig.	Part No.	description	Ref. No.
2	500100	fan motor 220-240/380-415V 3 phase 50/60Hz 0,25kW 1400rpm speeds 1 L1 150mm L2 32mm L3 40mm	76-30010426
2	500167	fan motor 220-240/380-415V 3 phase 50Hz 0,45kW 1400rpm speeds 1 L1 150mm L2 24mm L3 35mm	76-31001021
2	500162	fan motor 380-415V 3 phase 50 Hz 0,08/0,45kW 700/1400rpm speeds 2 L1 147 mm L2 35 mm L3 35 mm	76-31001020




2

fig.	Part No.	description	Ref. No.
2	601049	fan wheel D1 ø 280mm H1 125mm vanes 12 D2 ø 11mm D3 ø 16mm H2 37mm	407448



3 4

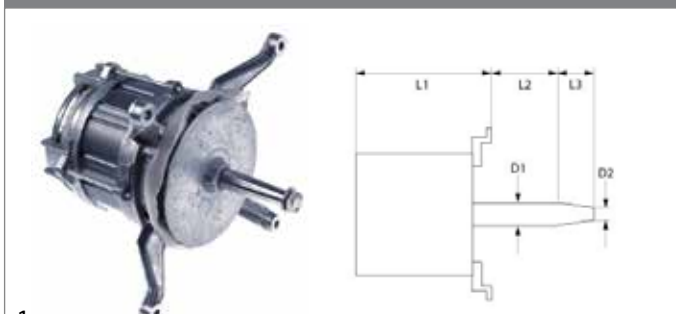
fig.	Part No.	description	Ref. No.
3	601049	fan wheel D1 ø 280mm H1 125mm vanes 12 D2 ø 11mm D3 ø 16mm H2 37mm	76-20120602
4	601322	fan wheel D1 ø 350mm H1 125mm vanes 12 D2 ø 13mm D3 ø 16mm H2 37mm	76-20120507



5

fig.	Part No.	description	Ref. No.
5	510587	flange for fan motor ED ø 60mm int. ø 1 24mm int. ø 2 18,5mm thickness 3mm steel	76-20160876


Küppersbusch



1

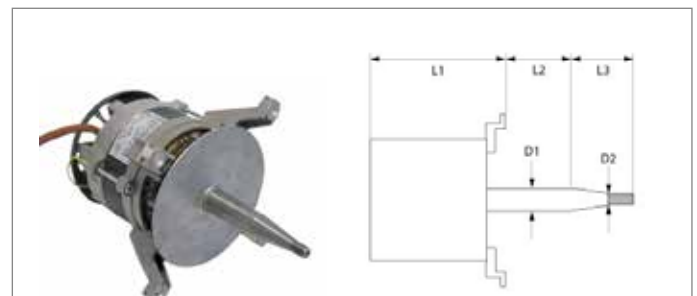
fig.	Part No.	description	Ref. No.
1	500100	fan motor 220-240/380-415V 3 phase 50/60Hz 0,25kW 1400rpm speeds 1 L1 150mm L2 32mm L3 40mm	115950

Lainox



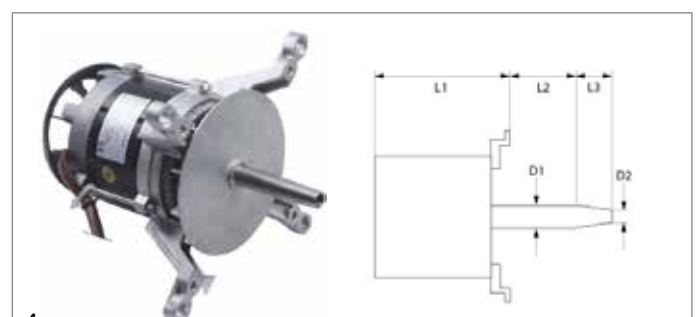
1 2

fig.	Part No.	description	Ref. No.
1	550857	counterflange for fan motor ED ø 50mm int. ø 1 25mm int. ø 2 16mm thickness 6mm brass	LAR58003870
2	550859	counterflange for fan motor ED ø 60mm int. ø 1 34mm int. ø 2 25mm thickness 6mm brass	LAR58003850



3

fig.	Part No.	description	Ref. No.
3	500656	fan motor 200-240/415V 3 phase 50/60Hz 0,15/0,55kW 900/1400rpm speeds 2 L1 150mm L2 50mm L3 48mm	LAR65040520



4

fig.	Part No.	description	Ref. No.
4	500137	fan motor 200-240/415V 3 phase 50/60Hz 0,185/0,55kW 900/1400rpm speeds 2 L1 190mm L2 45mm	LAR65040051
4	500136	fan motor 220-240V 1 phase 50/60Hz 0,55kW 1400rpm speeds 1 L1 190mm L2 47mm L3 47mm D1 ø 24mm	LAR65040041



fig.	Part No.	description	Ref. No.
5	500671	fan motor 200-240V 1 phase 50/60Hz 0,11kW 2760/3320rpm speeds 1 L1 130mm L2 55mm L3 30mm	LAR65040071

fig.	Part No.	description	Ref. No.
8	601354	fan motor 220-240V 1 phase 50Hz 0,11kW 2760rpm speeds 1 L1 130mm L2 32mm L3 30mm L4 18mm	LAR65040380

fig.	Part No.	description	Ref. No.
6	601046	fan motor 220/380V 3 phase 50/60Hz 0,75kW 1350/1650rpm speeds 1 L1 185mm L2 42mm L3 47mm	LAR65040061
6	500658	fan motor 230/400V 3 phase 50/60Hz 0,55kW 1400/1700rpm speeds 1 L1 145mm L2 47mm L3 47mm	LAR65040530

fig.	Part No.	description	Ref. No.
9	601856	fan motor 230V 1 phase 50Hz 0,075kW 2650rpm speeds 1 L1 85mm L2 30mm L3 23mm L4 12mm	LAR65041010

fig.	Part No.	description	Ref. No.
7	500661	fan motor 220-240V 1 phase 50Hz 0,03/0,2kW 0,05/0,25HP 1400/2700rpm speeds 2 L1 123mm L2 77mm	LAR65040431
7	601043	fan motor 220-240V 1 phase 50Hz 0,37/0,07kW 0,1/0,5HP 1400/2700rpm speeds 2 L1 123mm L2 107mm	LAR65040260
7	500663	fan motor 230V 1 phase 50Hz 0,18kW 0,25HP 2800rpm speeds 1 L1 123mm L2 77mm L3 30mm D1 ø 15mm	LAR65040421
7	500680	fan motor 230V 3 phase 50Hz 0,37kW 2800rpm speeds 1 L1 121mm L2 77mm L3 31mm D1 ø 16mm	LAR65040420

fig.	Part No.	description	Ref. No.
10	601067	fan wheel D1 ø 150mm H1 38mm vanes 36 D2 ø 6mm D3 ø 6mm H2 14mm	LAR75400040
11	601353	fan wheel D1 ø 150mm H1 50mm vanes 36 D2 ø 8mm D3 ø 6/8mm H2 26mm	LAR75400510

fig.	Part No.	description	Ref. No.
12	601068	fan wheel D1 ø 160mm H1 70mm vanes 16 D2 ø 12mm D3 ø 16mm H2 29mm	LAR75400080
13	601246	fan wheel D1 ø 180mm H1 77mm vanes 12 D2 ø 8mm D3 ø 6mm H2 25,5mm	LAR75400410



fig.	Part No.	description	Ref. No.
14	601243	fan wheel D1 ø 220mm H1 78mm vanes 12 D2 ø 11mm D3 ø 16mm H2 29mm	LAR75400400
15	601244	fan wheel D1 ø 350mm H1 114mm vanes 12 D2 ø 19,5mm D3 ø 23mm H2 45mm	LAR75400440

fig.	Part No.	description	Ref. No.
16	550860	flange for fan motor ED ø 35mm int. ø 1 22mm int. ø 2 9mm thickness 8mm brass	LAR58005500
17	550856	flange for fan motor ED ø 50mm int. ø 1 19,5mm int. ø 2 16mm thickness 3mm brass	LAR58003860
18	550858	flange for fan motor ED ø 60mm int. ø 1 28,5mm int. ø 2 25mm thickness 4mm brass	LAR58003840
19	560449	hexagonal screw M12x1,5 L thread length 22mm bore ø 6,3mm WS 19 total length 30mm	LAR58004000
20	550861	shaft seal for fan motor ID ø 7,5mm ED ø 22mm thickness 7mm	LAR70020020

fig.	Part No.	description	Ref. No.
21	511171	shaft seal ID ø 14,5mm ED ø 20mm thickness 3mm	LAR70020040
22	511170	shaft seal ID ø 7mm ED ø 22mm thickness 7mm	LAR70020010
23	511172	shaft sealing ID ø 24mm ED ø 29mm thickness 3mm	LAR70020050

Lotus

fig.	Part No.	description	Ref. No.
1	500629	fan motor 220-240V 1 phase 50/60Hz 0,045/0,0765kW 2800/3400rpm speeds 1 L1 95mm L2 33mm L3 19mm	RRC3610-00

MBM-Italia

fig.	Part No.	description	Ref. No.
1	601863	fan motor 230V 1 phase 50Hz 0,05/0,4kW 700/1400rpm speeds 2 L1 190mm L2 45mm L3 48mm D1 ø 20mm	RIC0004598

MIWE

fig.	Part No.	description	Ref. No.
1	601853	fan wheel D1 ø 350mm H1 80mm vanes 12 D2 ø 13,2mm D3 ø 16,2mm H2 32mm H3 3,5mm	187282.00

MKN

fig.	Part No.	description	Ref. No.
1	601862	fan motor 200-230V 3 phase 50Hz 0,45/0,65kW 700/1400rpm speeds 2 L1 145mm L2 35mm L3 35mm	203977

Modular

fig.	Part No.	description	Ref. No.
1	500630	fan motor 230/400V 3 phase 50Hz 0,37kW 2600rpm speeds 1 L1 175mm L2 50mm L3 28mm D1 ø 17mm	RRC2901-00



2




fig.	Part No.	description	Ref. No.
2	601178	fan motor 230V 1 phase 50Hz 0,12kW 1400rpm speeds 1 L1 120mm L2 77mm D1 ø 12mm 1,1A	66403400

3




fig.	Part No.	description	Ref. No.
3	601871	fan motor 230V 1 phase 50Hz 85kW 2400rpm speeds 1 L1 85mm L2 40mm L3 33mm L4 133,5mm	302821

Multi

1



fig.	Part No.	description	Ref. No.
1	601178	fan motor 230V 1 phase 50Hz 0,12kW 1400rpm speeds 1 L1 120mm L2 77mm D1 ø 12mm 1,1A	664000

Piron

1


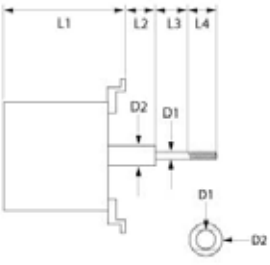



fig.	Part No.	description	Ref. No.
1	500964	fan motor 230V 3 phase 50Hz 0,08kW 2700rpm speeds 1 L1 78mm L2 7mm L3 47mm L4 12mm D1 ø 8/6mm	KMT00006 MOT30006

Palux

1


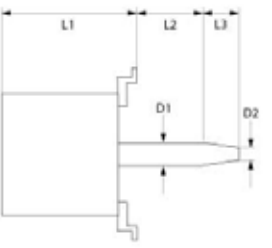



fig.	Part No.	description	Ref. No.
1	500102	fan motor 230-240V 1 phase 50 Hz 0,09 kW 1390 rpm speeds 1 L1 150 mm L2 32 mm L3 27 mm ø 125 mm	332410

2



3



fig.	Part No.	description	Ref. No.
2	601450	fan wheel D1 ø 160mm H1 45mm vanes 36 D2 ø 8mm D3 ø 8mm H2 24mm	VEN30002
3	601778	fan wheel D1 ø 197mm H1 43mm vanes 45 D2 ø 8mm D3 ø 8x6,8mm H2 14mm H3 1,5mm	KVN00004

2


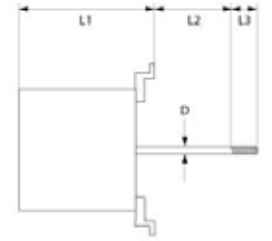



fig.	Part No.	description	Ref. No.
2	601474	fan motor 230V 1 phase 50/60Hz 0,03kW 3600rpm speeds 1 L1 115mm L2 20mm L3 32mm ø 12mm	693286

Rational

1



fig.	Part No.	description	Ref. No.
1	601301	fan motor 100-240V 1 phase 50/60Hz 0,45 kW 2000 rpm speeds 1 L1 160 mm M8R IT	40.00.274P



2

fig.	Part No.	description	Ref. No.
2	500105	fan motor 220-240/380-415V 3 phase 50 Hz 0,37 kW 1400 rpm speeds 1 L1 182 mm L2 26 mm L3 50 mm	3001.0428

3

fig.	Part No.	description	Ref. No.
3	500100	fan motor 220-240/380-415V 3 phase 50/60Hz 0,25kW 1400rpm speeds 1 L1 150mm L2 32mm L3 40mm	3001.0426
3	500167	fan motor 220-240/380-415V 3 phase 50Hz 0,45kW 1400rpm speeds 1 L1 150mm L2 24mm L3 35mm	3100.1021
3	601815	fan motor 230-240V 1 phase 50 Hz 0,450/0,615kW 1440 rpm speeds 1 L1 150 mm L2 34 mm L3 35 mm	3100.1061
3	601704	fan motor 240 V 3 phase 60 Hz 0,7 kW 1720 rpm speeds 1 L1 152 mm L2 31 mm L3 35 mm D1 ø 17 mm	3100.1062
3	601300	fan motor 240V 3 phase 60Hz 0,68kW 1730rpm speeds 1 L1 145mm L2 24mm L3 34mm D1 ø 17mm	3100.1083
3	601308	fan motor 240V 3 phase 60Hz 0,68kW 1730rpm speeds 1 L1 155mm L2 47mm L3 35mm D1 ø 17mm	3100.1081
3	500162	fan motor 380-415V 3 phase 50 Hz 0,08/0,45kW 700/1400rpm speeds 2 L1 147 mm L2 35 mm L3 35 mm	3100.1020
3	500168	fan motor 380-415V 3 phase 50 Hz 0,12/0,9kW 700/1380rpm speeds 2 L1 205 mm L2 47 mm L3 35 mm	3100.1022
3	601299	fan motor 380-415V 3 phase 50Hz 0,12/0,9kW 700/1380rpm speeds 2 L1 205mm L2 40mm L3 35mm	3100.1068

4 5

fig.	Part No.	description	Ref. No.
4	601326	fan wheel	2012.0514
5	601049	fan wheel D1 ø 280mm H1 125mm vanes 12 D2 ø 11mm D3 ø 16mm H2 37mm	2012.0602

6 7

fig.	Part No.	description	Ref. No.
6	601327	fan wheel D1 ø 340mm H1 135mm vanes 9 D2 ø 13mm D3 ø 16mm H2 38mm	22.00.192
7	601306	fan wheel D1 ø 340mm H1 95mm vanes 9 D2 ø 13mm D3 ø 16mm H2 37mm	22.00.188

8 9

fig.	Part No.	description	Ref. No.
8	601322	fan wheel D1 ø 350mm H1 125mm vanes 12 D2 ø 13mm D3 ø 16mm H2 37mm	2012.0507
9	601323	fan wheel D1 ø 350mm H1 135mm vanes 12 D2 ø 13mm D3 ø 16mm H2 45mm	2012.0512

10 11

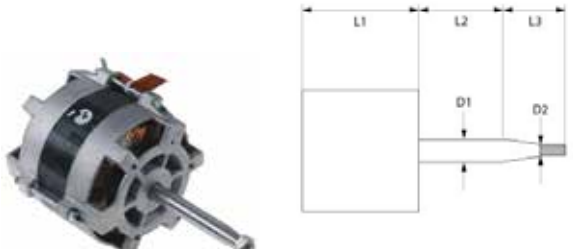
fig.	Part No.	description	Ref. No.
10	601324	fan wheel D1 ø 450mm H1 155mm vanes 12 D2 ø 13,5mm D3 ø 17mm H2 45mm	2012.0508
11	601325	fan wheel D1 ø 450mm H1 165mm vanes 12 D2 ø 14mm D3 ø 17mm H2 45mm	2012.0513

12 13

fig.	Part No.	description	Ref. No.
12	510587	flange for fan motor ED ø 60mm int. ø 1 24mm int. ø 2 18,5mm thickness 3mm steel	2016.0876
13	511682	shaft seal kit ID ø 17mm ED ø 29mm shaft seal flange mounting gauge with mountign material	87.00.563



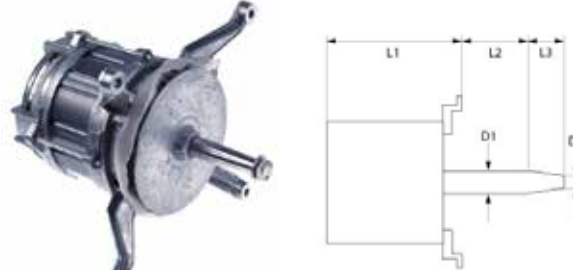
Repagas



1

fig.	Part No.	description	Ref. No.
1	601166	fan motor 220-240V 1 phase 50Hz 0,37kW 2700rpm speeds 1 L1 123mm L2 77mm L3 30mm D1 ø 15mm	44700005

Retigo



1

fig.	Part No.	description	Ref. No.
1	499311	fan motor 440V 3 phase 50Hz 0,3kW 1410rpm speeds 1 L1 130mm L2 22mm L3 38mm D1 ø 17mm D2 ø 13,5mm M10	EA11-0014



2 3

fig.	Part No.	description	Ref. No.
2	602002	fan wheel D1 ø 175mm H1 38,5mm vanes 9 D2 ø 8mm D3 ø 8mm H2 10mm H3 12mm	AX09-0004
3	602000	fan wheel D1 ø 320mm H1 110mm vanes 12 D2 ø 13mm D3 ø 16,4mm H2 12mm H3 18mm	AX09-0006



4 5 6 7

fig.	Part No.	description	Ref. No.
4	602001	fan wheel D1 ø 320mm H1 83mm vanes 12 D2 ø 13mm D3 ø 16,4mm H2 12mm H3 18mm	AX09-0001
5	551259	gasket motor shaft gasket ID ø 16,5mm ED ø 29mm thickness 4,2mm	AX00-0006
6	551261	gasket motor shaft gasket ID ø 8,5mm ED ø 20mm	AX00-0011
7	694684	motor supply line for hot air motors shielded conductor 3PH/PE L 1040mm for model 6011, 1011	EA05-0201

RM-Gastro



1

fig.	Part No.	description	Ref. No.
1	601450	fan wheel D1 ø 160mm H1 45mm vanes 36 D2 ø 8mm D3 ø 8mm H2 24mm	403000250


Rosinox



1 2

fig.	Part No.	description	Ref. No.
1	601049	fan wheel D1 ø 280mm H1 125mm vanes 12 D2 ø 11mm D3 ø 16mm H2 37mm	RX27490051
2	601503	fan wheel D1 ø 350mm H1 125mm vanes 12 D2 ø 13mm D3 ø 16mm	RX94050051

Smeg



1

fig.	Part No.	description	Ref. No.
1	694600	bush for hot air motors ø 25mm H 10mm seat ø 8,5mm	760570189



2

fig.	Part No.	description	Ref. No.
2	601362	fan motor 230V 1 phase 50Hz 0,12kW 2800rpm speeds 1 L1 95mm L2 30mm L3 23mm L4 12mm D1 ø 6mm	795210402

3

fig.	Part No.	description	Ref. No.
3	601363	fan wheel D1 ø 196mm H1 37mm vanes 38 D2 ø 8mm D3 ø 8mm H2 29mm	079290106
4	694601	spring for hot air motors ø 22mm H 18mm ID ø 19mm	895092518

Therma

1

fig.	Part No.	description	Ref. No.
1	500141	fan motor 230V 1 phase 50/60Hz 0,19kW 1450/1750rpm speeds 1 L1 150mm L2 52mm L3 35mm D1 ø 9/10mm	0F0007

2

fig.	Part No.	description	Ref. No.
2	511300	gasket for motor shaft ID ø 29mm ED ø 35mm for series 57	002873
3	511301	shaft seal ID ø 16mm ED ø 38mm thickness 18mm	002699

Unox

1

fig.	Part No.	description	Ref. No.
1	601965	fan motor 230V 1 phase 50/60Hz L1 110mm L2 50mm L3 12mm D1 ø 8mm D2 ø 6mm mounting thread M6	KVN1036A

2

fig.	Part No.	description	Ref. No.
2	601493	fan motor 230V 3 phase 50Hz speeds 1 L1 85mm L2 32mm L3 28mm L4 29mm D1 ø 8mm D2 ø 12mm	KVN1000B

3

fig.	Part No.	description	Ref. No.
3	601492	fan motor L1 130mm L2 18mm L3 23mm D1 ø 8mm D2 ø 7mm mounting thread M6R ET	KVN1035B

4


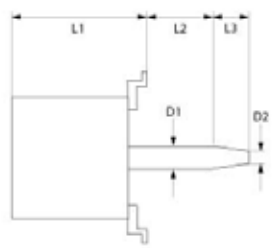
fig.	Part No.	description	Ref. No.
4	601487	fan wheel D1 ø 196mm H1 61mm vanes 39 D2 ø 10/8mm D3 ø 10mm H2 32mm	KVN1025A
5	601489	fan wheel D1 ø 197mm H1 32mm vanes 39 D2 ø 8mm D3 ø 8mm H2 12mm	KVN1050A




6

fig.	Part No.	description	Ref. No.
6	601776	fan wheel D1 ø 197mm H1 43mm vanes 39 D2 ø 8mm D3 ø 8x6,5mm H2 28mm	KVN1020A

Whirlpool

1


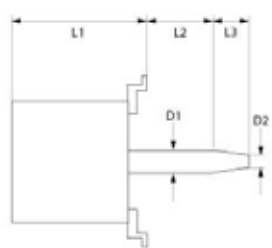
fig.	Part No.	description	Ref. No.
1	500630	fan motor 230/400V 3 phase 50Hz 0,37kW 2600rpm speeds 1 L1 175mm L2 50mm L3 28mm D1 ø 17mm	483286008681



2

fig.	Part No.	description	Ref. No.
2	514261	fan wheel D1 ø 210mm H1 100mm vanes 20 D2 ø 11mm D3 ø 16mm H2 30mm	—


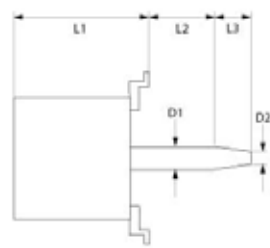
Zanelli

1


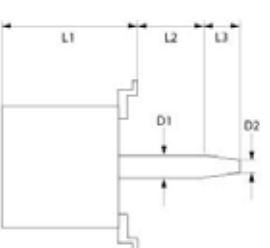
fig.	Part No.	description	Ref. No.
1	500681	fan motor 220-240V 1 phase 50Hz 0,37kW 1400rpm speeds 1 L1 265mm L2 45mm L3 47mm D1 ø 24mm	MOTO0030
1	500664	fan motor 230V 1 phase 50Hz 0,37kW 1400rpm speeds 1 L1 170mm L2 50mm L3 28mm D1 ø 17mm	MOTO0034

Zanussi


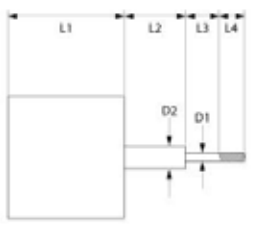
1

fig.	Part No.	description	Ref. No.
1	500105	fan motor 220-240/380-415V 3 phase 50 Hz 0,37 kW 1400 rpm speeds 1 L1 182 mm L2 26 mm L3 50 mm	0H6932

2

fig.	Part No.	description	Ref. No.
2	500103	fan motor 220-240/380-415V 3 phase 50/60Hz 0,25 kW 1400 rpm speeds 1 L1 150 mm L2 32 mm	0H6929

3

fig.	Part No.	description	Ref. No.
3	601449	fan motor 220-240/380-415V 3 phase 50Hz 0,19kW 1350rpm speeds 1 L1 105mm L2 74mm L3 35mm L4 12mm	058667

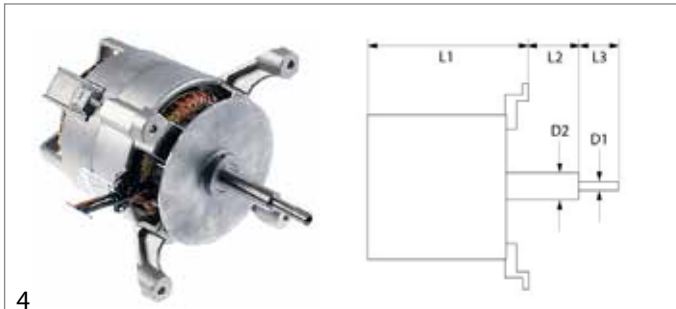


fig.	Part No.	description	Ref. No.
4	500141	fan motor 230V 1 phase 50/60Hz 0,19kW 1450/1750rpm speeds 1 L1 150mm L2 52mm L3 35mm D1 ø 9/10mm	0F0007
4	500143	fan motor 230V 1 phase 50/60Hz 0,35kW 1400/1700rpm speeds 1 L1 165mm L2 91mm L3 35mm D1 ø 9/10mm	002739
4	601222	fan motor 230V 1 phase 50Hz 0,06/0,19kW 890/1395rpm speeds 2 L1 165mm L2 49mm L3 35mm	006998
4	500142	fan motor 230V 1 phase 50Hz 0,06/0,19kW 930/1380rpm speeds 2 L1 160mm L2 52mm L3 35mm	005028
4	500144	fan motor 230V 1 phase 50Hz 0,11/0,35kW 900/1400rpm speeds 2 L1 165mm L2 91mm L3 35mm	002748
4	500816	fan motor 230V 1 phase 50Hz 0,22/0,75kW 955/1460rpm speeds 2 L1 175mm L2 52mm L3 32mm	0C6563



fig.	Part No.	description	Ref. No.
5	601234	fan wheel D1 ø 380mm H1 170mm vanes 12 D2 ø 10mm D3 ø 10mm H2 38mm H3 19mm	0C6464
6	511300	gasket for motor shaft ID ø 29mm ED ø 35mm for series 57	002873
7	511301	shaft seal ID ø 16mm ED ø 38mm thickness 18mm	002699

hot air fans

ebm-papst

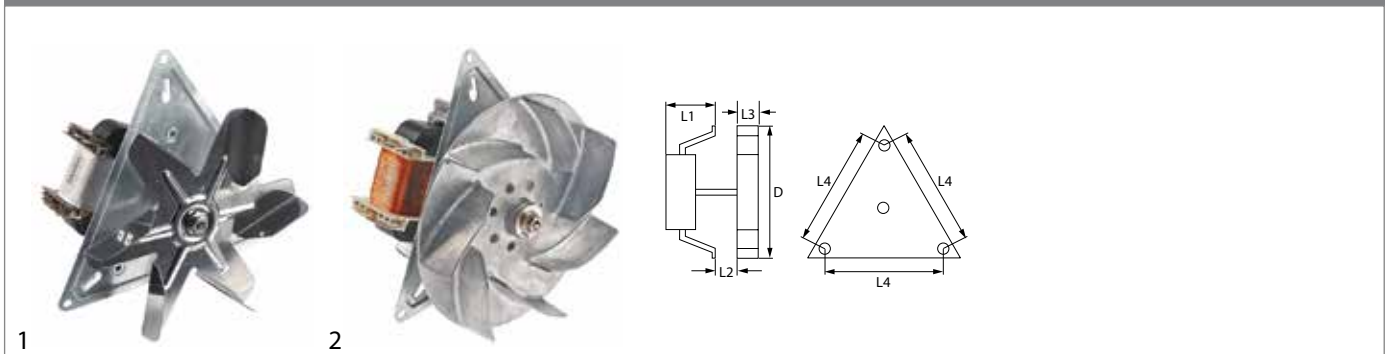


fig.	Part No.	volt. (V)	P (W)	L1 (mm)	L2 (mm)	L3 (mm)	L4 (mm)	D (mm)	type	suitable for	Ref. No.
1	601249	230	32	60	20	20	157	150	R2K150-AC01-15	Blanco Bourgeat ebm-papst Falcon Inomak Lincat Rieber Stahl	105786 EH0018 R2K150-AC01-15 535420010 34500040100738 FA12 33202222 161030
1	601014	230	32	60	28	20	157	150	R2K150-AC01-25	Ambassade ebm-papst Morice Rieber	6539815 55466.32060 DE0684 33202222
1	601267	230	32	60	50	20	157	150	R2K150-0020A9	Blanco Bonnet Thirode	106188 645457 645457
2	601999	240	28	65	17	28	157	150	R2K150-AA03-10	ebm-papst Foster	R2K150-AA03-10 00-554022
2	601272	220-230	47	65	17	28	157	150	R2K150-AA21-13	ebm-papst Köhler Esback	R2K150-AA21-13 3000070/1

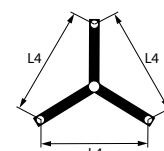
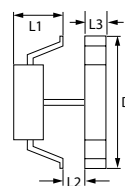


fig.	Part No.	volt. (V)	P (W)	L1 (mm)	L2 (mm)	L3 (mm)	L4 (mm)	D (mm)	type	suitable for	Ref. No.
1	601254	230	32	58	12	20	87	150	R2A150/0020A7-4218	Blanco ebm-papst	105913 R2A150/0020A7-4218bc
1	601741	230	32	60	21	20	88	150	R2K150-AC01-14	ebm-papst GIGA Stierlen	55466.32040 V02900 602#02031673
2	601198	230	38	65	20	25	130	153	RRC140/0024A18	ebm-papst Electrolux Zanussi	RRC140/0024A18 054842 054842
3	601013	230	43	60	20	25	155	150	R2S150-AA08-29	Palux Rieber Stahl	232572 33202209 161.030



fig.	Part No.	volt. (V)	P (W)	L1 (mm)	L2 (mm)	L3 (mm)	L4 (mm)	D (mm)	type	suitable for	Ref. No.
4	601807	230	50	69	-	-	87	151	RRL152/0020A92-3030LH-197	Bourgeois	KITSAVMOT026
5	602017	240	30	60	65	20	87	150	R2K150-AC03-81	ebm-papst	R2K150-AC03-81
6	601766	240	38	60	40	25	87	154		ebm-papst	RRL140/0024A16-3020LH-418
7	601264	115/230	32	58	20	20	87	152	EM4218-405 bu	ebm-papst Rieber	EM4218-405 bu 33202227



fig.	Part No.	volt. (V)	P (W)	L1 (mm)	L2 (mm)	L3 (mm)	L4 (mm)	D (mm)	type	suitable for	Ref. No.
8	601513	220-240	41	60	12	25	87	154	RRL140/0024 A36-3020LH-459	ebm-papst Fagor	55462.40690 12032214
9	601265	120/240	45	65	20	-	130	-	RRC/B45 3030LH4	ebm-papst Rieber	55462 40450 33202215
10	601808	230/240	50	69	-	-	87	150	RRL152/0020A92-3030LH-197	Bourgeois ebm-papst	MOT2023 55462.19930
11	601252	115/230	30/35	53	7	20	87	150	R2K150-AC43-65	ebm-papst Rieber	R2K150-AC43-65 55466.32280 33202223



1

fig.	Part No.	volt. (V)	P (W)	L1 (mm)	L2 (mm)	L3 (mm)	L4 (mm)	D (mm)	type	suitable for	Ref. No.
1	601103	230	47	60	26	20	157	150	G2S150-AB08-44	CB ebm-papst Tecnoinox	07010007 G2S150-AB08-44 RC00229000
1	601659	230	52	45	28	20	157	150	G2S150-AB08-43	ebm-papst Fri-Jado Niggemann	G2S150-AB08-43 9070125 60701335



1



2

fig.	Part No.	volt. (V)	P (W)	distance fan wheel - fixing (mm)	MD (mm)	type	suitable for	Ref. No.
1	601294	230	50	10	47	EM3038LH-20	ebm-papst Küppersbusch	EM3038LH-20yc 178464
2	601258	120/240	8	10	47	EM3010L-19	ebm-papst Rieber	EM3010L-19rn 33200403



1

fig.	Part No.	volt. (V)	P (W)	distance fan wheel - fixing (mm)	MD (mm)	type	suitable for	Ref. No.
1	601672	230	32	10	55	R2A150-AG01-09	Rieber	33200406



HANNING



fig.	Part No.	volt. (V)	L1 (mm)	L2 (mm)	L4 (mm)	suitable for	Ref. No.	fig.	Part No.	volt. (V)	L1 (mm)	L2 (mm)	L4 (mm)	suitable for	Ref. No.
1	601008	230	72	28	130	Krefftt Küppersbusch	49-174192 174192	2	601149	230	72	69	130	Krefftt Küppersbusch	49-174193 174193
								3	601910	220-240	115	3	95	Retigo	EA11-0004

HEIDOLPH



fig.	Part No.	volt. (V)	P (W)	L1 (mm)	L2 (mm)	L3 (mm)	L4 (mm)	D (mm)	suitable for	Ref. No.	fig.	Part No.	volt. (V)	P (W)	L1 (mm)	L2 (mm)	L3 (mm)	L4 (mm)	D (mm)	suitable for	Ref. No.
1	601268	230	27	80	5	30	120	150	Blanco	105671	2	601016	230	45	80	5	26	120	150	—	—

miscellaneous

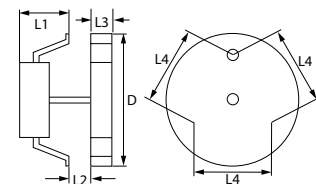


fig.	Part No.	volt. (V)	P (W)	freq. (Hz)	L1 (mm)	L2 (mm)	L3 (mm)	L4 (mm)	D (mm)	suitable for	Ref. No.
1	601531	220	30	50	70	12	30	87	155	Emainox	3740035
2	601125	220	45	50	70	11	25	87	150	Bartscher Bertos Foinox GIGA Olis Solymac Tecnoeka Unox	0A036410 23118000 10731 G6EX BN6A036410 EMMVR150 11950057000 VN050
3	601383	220	55	50/60	65	15	25	87	150	Smeg	699250031



fig.	Part No.	volt. (V)	P (W)	freq. (Hz)	L1 (mm)	L2 (mm)	L3 (mm)	L4 (mm)	D (mm)	suitable for	Ref. No.
4	601769	230	33	50/60	60	23	20	87	150	—	—
5	601696	230	40	50/60	70	11	29	87	155	Baron Mareno Silko	MA4330800 MA4330800 MA4330800
6	601175	230	47	50/60	73	28	29	87	154	Kreff Lainox	AN72-65060030 LAR65060030
7	601094	240	36	50	85	15	20	87	150	Dexion Emmevi Gico MBM-Italia	01154900R 260302X 507009 01154900R

fig.	Part No.	volt. (V)	P (W)	freq. (Hz)	L1 (mm)	L2 (mm)	L3 (mm)	L4 (mm)	D (mm)	suitable for	Ref. No.
8	601699	220/240	30	50/60	57	13	25	87	150	Modular	66402500
9	601054	220-240	32	50/60	60	10	25	87	150	Ambach Bartscher Bertos Cookmax GIGA Lainox Mareno MBM-Italia Smeg Star10	5062114289 023117700 23117700 1037117200 X68003 LAR650600400 MA1037117200 RTFOC00623 699250029 X68003
10	601273	220-240	32	50/60	60	10	25	87	155	Electrolux Juno Modular Multinox Sogeco	OK3048 OK3048 M569010100 569010100 MOTOVENTILATORE
11	601448	220-240	32	50/60	60	11	25	87	155	GIGA	V03000



12



13



14

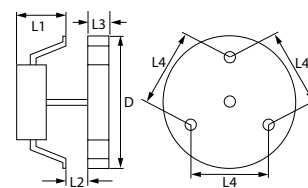


fig.	Part No.	volt. (V)	P (W)	freq. (Hz)	L1 (mm)	L2 (mm)	L3 (mm)	L4 (mm)	D (mm)	suitable for	Ref. No.
12	601163	220-240	32	50/60	60	21	25	87	150	—	—
13	601440	220-240	32	50/60	60	32	20	87	150	—	—
14	601694	220-240	33	50/60	57	13	21	87	150	Piron	MOT30005



15



16



17



18

fig.	Part No.	volt. (V)	P (W)	freq. (Hz)	L1 (mm)	L2 (mm)	L3 (mm)	L4 (mm)	D (mm)	suitable for	Ref. No.
15	601548	220-240	40	50/60	65	11	25	87	150	Bartscher Roller Grill	A0000103006 A03006
16	601717	220-240	40	50/60	65	15	20	87	152	Olis	BN6A036410
17	601011	220-240	40	50/60	65	15	25	87	150	Angelo-Po Coven Electrolux Metalcarrelli SSP Tecnoinox Therma Zanussi	32M5690 EMMVR150 031484 R1536 0682300800 RC00565000 031484 031484
18	601123	220-240	47	50/60	80	12	20	87	150	MBM-Italia Star10	RIC0004212 079529



19



20



21

fig.	Part No.	volt. (V)	P (W)	freq. (Hz)	L1 (mm)	L2 (mm)	L3 (mm)	L4 (mm)	D (mm)	suitable for	Ref. No.
19	500697	220-240	55	50/60	70	13	-	87		Smeg	699250108
20	601860	230	55	50/60	83	19	20	87	150	Roller Grill	A03057
21	601825	230-240	55	50/60	65	8	29	87	155	Garbin	MOT005

1		2		3		4				
fig.	Part No.	volt. (V)	P (W)	L1 (mm)	L2 (mm)	L3 (mm)	L4 (mm)	D (mm)	suitable for	Ref. No.
1	601922	230		75	-	-	87	110	ACP	14090019
2	601012	230	25	65	16	20	80/80/97	150	CB Mercury	07010013 03.7.4930.0
3	601818	220-230	40	62	12.5	25	86	146	—	—
4	601147	220-240	32	65	10	20	87	150	Coldmaster Tecfrigo	D0702 D0702

5										
fig.	Part No.	volt. (V)	P (W)	L1 (mm)	L2 (mm)	L3 (mm)	L4 (mm)	D (mm)	suitable for	Ref. No.
5	601199	220-240	24-28	60	25	-	87	-	Electrolux Zanussi	005202 005202

1											
pos.	Part No.	voltage (VAC)	P (W)	MP	L1 (mm)	L2 (mm)	L3 (mm)	L4 (mm)	D (mm)	suitable for	Ref. No.
1	601676	180		upper	90	-	-	100	97	TurboChef	i3-3209-3

1		2		3						
fig.	Part No.	volt. (V)	P (W)	L1 (mm)	L2 (mm)	L3 (mm)	L4 (mm)	D (mm)	suitable for	Ref. No.
1	601827	18		6	-	16	-	85	—	—
2	601938	230		80	10	10	87		ACP	59004038
3	601918	230	410	110	5	55	-	165	ACP	59002076

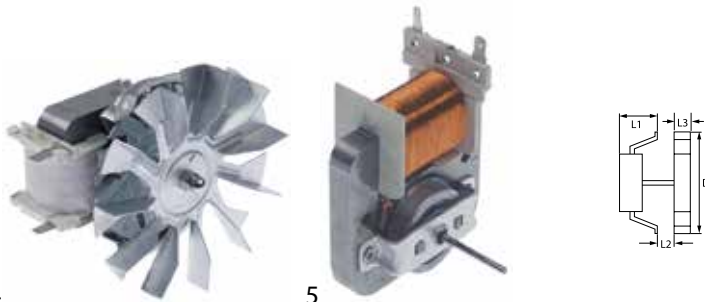


fig.	Part No.	volt. (V)	P (W)	L1 (mm)	L2 (mm)	L3 (mm)	L4 (mm)	D (mm)	suitable for	Ref. No.
4	601796	220/240	30	62	15	16.5		120	Roller Grill	A03044
5	601838	220-240	18	33	12	15	-	120	Galanz Horeca-Select	GMW1025-C05 GMW1025-C05

accessories

fan wheels for hot air fans

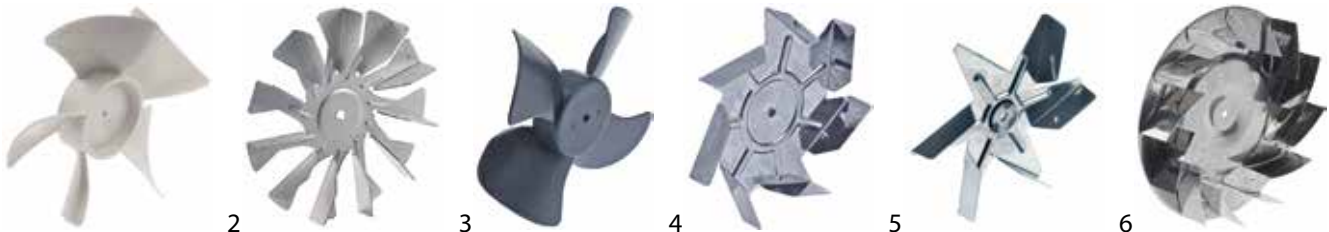


fig.	Part No.	ø (mm)	W (mm)	shaft intake ø (mm)	suitable for	Ref. No.
1	523038	100	35	6	ACP ACP	59002159 B5706707
2	601259	120	16	6x5	ebm-papst Rieber	27453.32400 33200404
3	601839	120	32	2x2.5	Galanz Horeca-Select	GMW1025-P06 GMW1025-P06
4	601200	145	20	6x5	Electrolux Smeg Zanussi	005221 039290137 005221

fig.	Part No.	ø (mm)	W (mm)	shaft intake ø (mm)	suitable for	Ref. No.
4	601441	150	25	6x5	—	—
4	601630	150	25	6x5	Cookmax Mareno	1034400200 MA1034400200
5	601196	150	20	6x5	Krefftt Küppersbusch	49-788878002 788878002
5	601148	152	20	6x5	ACP Küppersbusch Rieber	12537901 174220 33200402
6	601979	159	29	6x5	Garbin	VEN010

miscellaneous



fig.	Part No.	description
1	601840	bracket ø 130mm L 135mm W 130mm for hot air fan
2	694800	engine shaft gasket ø 18mm hole ø 8mm Qty 1 pcs

fig.	Part No.	description
3	550879	insulation ø 130mm thickness 3mm hole ø 20mm
4	601260	nut M6L IT for hot air fan



radial fans

Ambach

1

fig.	Part No.	volt. (V)	voltage	freq. (Hz)	P (W)	Ref. No.
1	601245	24	DC	50	45	R63130010

2

fig.	Part No.	volt. (V)	voltage	freq. (Hz)	P (W)	Ref. No.
2	601742	230	AC	50	140	5018001

Angelo-Po

1

fig.	Part No.	volt. (V)	voltage	freq. (Hz)	P (W)	Ref. No.
1	601599	230	AC	50	60	32V5830

Cookmax

miscellaneous

1

fig.	Part No.	Ref. No.
1	601167	FMOTEA482WRKZ

2

fig.	Part No.	volt. (V)	voltage	freq. (Hz)	P (W)	Ref. No.
2	601870	230/240	AC	50/60		32V6840

ebm-papst

1

fig.	Part No.	volt. (V)	voltage	freq. (Hz)	P (W)	Ref. No.
1	601115	24	AC	50		55667.00121

Convotherm

1

fig.	Part No.	volt. (V)	voltage	freq. (Hz)	P (W)	Ref. No.
1	601181	230	AC	50	100	5018000

2 3

fig.	Part No.	volt. (V)	voltage	freq. (Hz)	P (W)	Ref. No.
2	601114	24	AC	50	20	RG100/1100-2012 24VAC
3	500817	24	DC	50	55	55667.11190

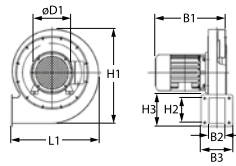


fig.	Part No.	volt. (V)	voltage	freq. (Hz)	P (W)	Ref. No.
4	500798	230	AC	50	25	RG100/1000-2012



fig.	Part No.	volt. (V)	voltage	freq. (Hz)	P (W)	Ref. No.
11	601870	230/240	AC	50/60		55667.00495



fig.	Part No.	volt. (V)	voltage	freq. (Hz)	P (W)	Ref. No.
5	601295	230	AC	50	50	55667.00712
6	601732	230	AC	50	70	—



fig.	Part No.	Ref. No.	fig.	Part No.	Ref. No.
1	601475	RG125-19/56	2	601697	9544014159



fig.	Part No.	volt. (V)	voltage	freq. (Hz)	P (W)	Ref. No.
7	601181	230	AC	50	100	55667.11746
8	601296	230	AC	50	140	RG148/1200-3633-010203



fig.	Part No.	Ref. No.
3	601940	D2E 133-AM47-01

Electrolux



fig.	Part No.	volt. (V)	voltage	freq. (Hz)	P (W)	Ref. No.
9	601742	230	AC	50	140	55667.01812
10	601709	230	AC	50/60		RG130/0800-3612

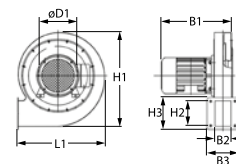




fig.	Part No.	volt. (V)	voltage	freq. (Hz)	P (W)	Ref. No.
1	500817	24	DC	50	55	0C1112

2 3

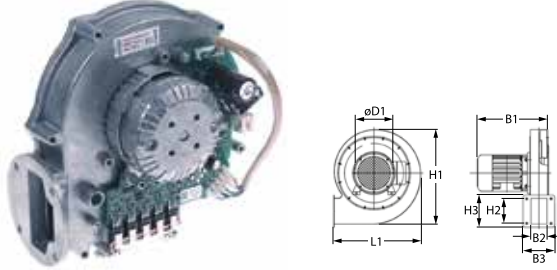
fig.	Part No.	volt. (V)	voltage	freq. (Hz)	P (W)	Ref. No.
2	601238	230	AC	50	40	002639
3	601732	230	AC	50	70	0C4103



6


fig.	Part No.	volt. (V)	voltage	freq. (Hz)	P (W)	Ref. No.
6	601709	230	AC	50/60		12025823

Fagor

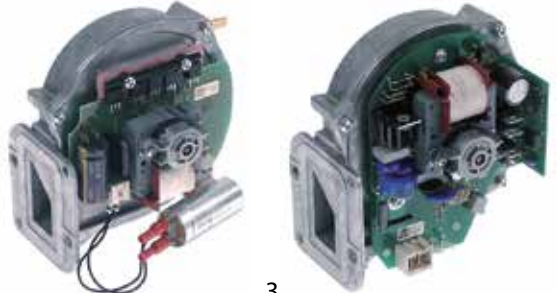


1

fig.	Part No.	volt. (V)	voltage	freq. (Hz)	P (W)	Ref. No.
1	601115	24	AC	50		12026189



pos.	Part No.	volt. (V)	voltage	freq. (Hz)	P (W)	Ref. No.
1	691053	230	AC	50	200	12016434
2	691058	230	AC	50	370	12016374
3	691868	230	AC	60	200	12016428
4	691867	230	AC	60	370	12016367



2 3

fig.	Part No.	volt. (V)	voltage	freq. (Hz)	P (W)	Ref. No.
2	601114	24	AC	50	20	12026776
3	500798	230	AC	50	25	12026360



4 5

fig.	Part No.	volt. (V)	voltage	freq. (Hz)	P (W)	Ref. No.
4	601295	230	AC	50	50	12024797
5	601296	230	AC	50	140	12025691

Galanz

accessories

fan wheels for radial fans



1

fig.	Part No.	description	Ref. No.
1	601837	fan wheel for radial fan ø 96mm	GMW1030-P272



Horeca-Select



fig.	Part No.	description	Ref. No.
1	601837	fan wheel for radial fan ϕ 96mm	GMW1030-P272

Icematic



fig.	Part No.	Ref. No.
1	601523	18562480/0

Juno

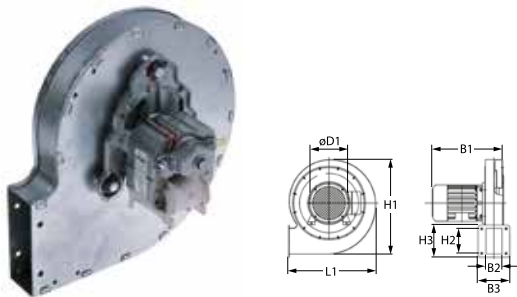


fig.	Part No.	volt. (V)	voltage	freq. (Hz)	P (W)	Ref. No.
1	601238	230	AC	50	40	002639

Lainox

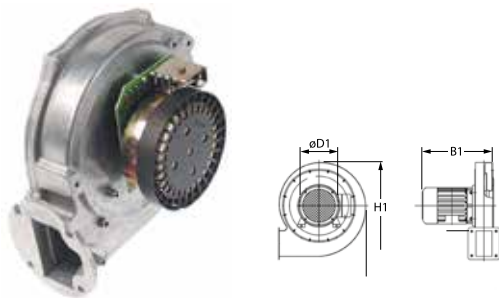


fig.	Part No.	volt. (V)	voltage	freq. (Hz)	P (W)	Ref. No.
1	601245	24	DC	50	45	LAR63130010



fig.	Part No.	volt. (V)	voltage	freq. (Hz)	P (W)	Ref. No.
2	601181	230	AC	50	100	LAR65060360

MKN



fig.	Part No.	volt. (V)	voltage	freq. (Hz)	P (W)	Ref. No.
1	601181	230	AC	50	100	203994



fig.	Part No.	Ref. No.
1	601475	203926

Palux



fig.	Part No.	Ref. No.
1	601475	752525



Pitco

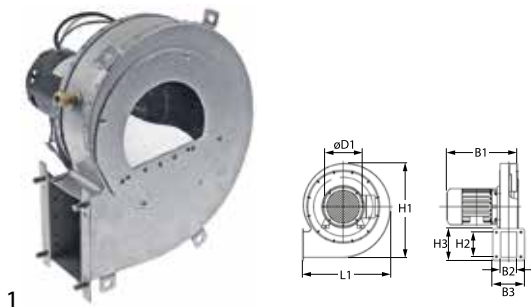


fig.	Part No.	volt. (V)	voltage	freq. (Hz)	P (W)	Ref. No.
1	601971	220-240	AC	50		PP11129

Rational

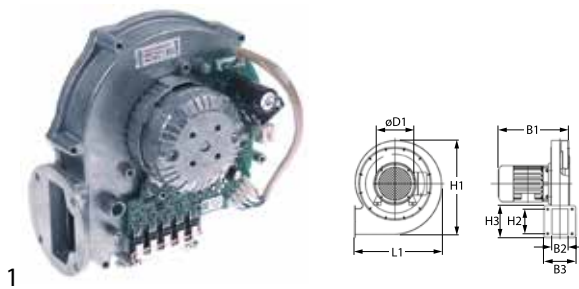


fig.	Part No.	volt. (V)	voltage	freq. (Hz)	P (W)	Ref. No.
1	601115	24	AC	50		3101.1014

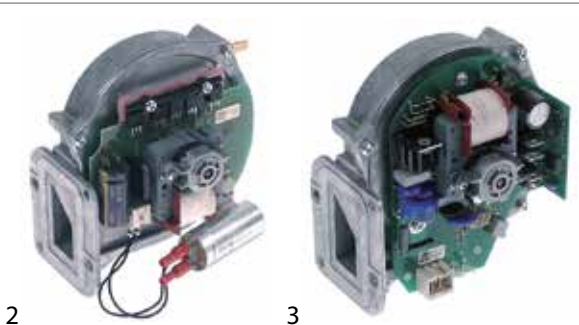


fig.	Part No.	volt. (V)	voltage	freq. (Hz)	P (W)	Ref. No.
2	601114	24	AC	50	20	8720.1418
3	500798	230	AC	50	25	3101.1016

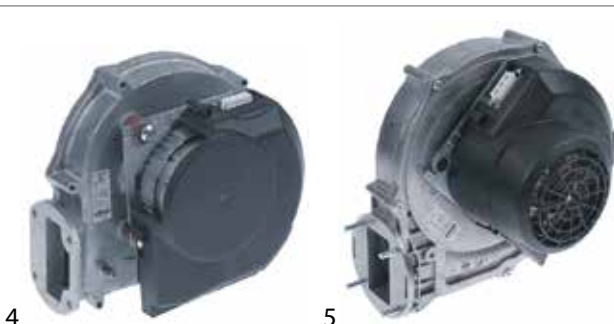


fig.	Part No.	volt. (V)	voltage	freq. (Hz)	P (W)	Ref. No.
4	601295	230	AC	50	50	70.00.028
5	601296	230	AC	50	140	70.00.067



fig.	Part No.	volt. (V)	voltage	freq. (Hz)	P (W)	Ref. No.
6	601709	230	AC	50/60		3101.1017

Retigo



fig.	Part No.	volt. (V)	voltage	freq. (Hz)	P (W)	Ref. No.
1	692477	230	AC	50		ZA21-0008



fig.	Part No.	volt. (V)	voltage	freq. (Hz)	P (W)	Ref. No.
2	692478	230	AC	50		ZA21-0009

Rieber



fig.	Part No.	Ref. No.
1	601697	33202229



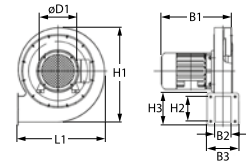
Sharp



1

fig.	Part No.	Ref. No.
1	601167	FMOTEA482WRKZ

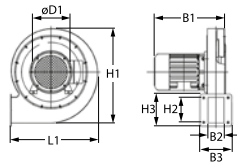
Zanussi



1

fig.	Part No.	volt. (V)	voltage	freq. (Hz)	P (W)	Ref. No.
1	500817	24	DC	50	55	0C1112

TurboChef



1

fig.	Part No.	volt. (V)	voltage	freq. (Hz)	P (W)	Ref. No.
1	601472	230	AC	50/60	65/80	100083



2

fig.	Part No.	volt. (V)	voltage	freq. (Hz)	P (W)	Ref. No.
2	601238	230	AC	50	40	002639

heaters

for heated cabinets



1



2

fig.	Part No.	application	P (W)	volt. (V)	freq. (Hz)	L (mm)	W (mm)	H (mm)	temp. (°C)	MP
1	418863	for heated cabinet	2000	230	50	278	310	92	30-90	floor mounting
2	418864	for heated cabinet	2000	230	50	300	190	130	0 up to +80	wall mounting



hot air fans with heating element



fig.	Part No.	volt. (V)	freq. (Hz)	P (W)	L (mm)	W (mm)	D (mm)	fig.	Part No.	volt. (V)	freq. (Hz)	P (W)	L (mm)	W (mm)	D (mm)
1	601250	230	50	2400	235	235	115	3	601251	115/230	50/60	2400	240	240	85
2	601786	230	50/60	1600	245	220	95	4	601256	115/230	50/60	1700	240	240	85
3	601255	115/230	50/60	1600	240	240	85	4	601257	115/230	50/60	2400	240	240	85

hot air fans with heating element and control



fig.	Part No.	volt. (V)	freq. (Hz)	P (W)	L (mm)	W (mm)	D (mm)
1	601521	230	50/60	810	270	240	100

extractor fans

extractor fans



pos.	Part No.	type	P (W)	volt. (V)	freq. (Hz)	max. (A)	speed (rpm)	total length (mm)	H (mm)	outlet height (mm)	outlet width (mm)	number of pole pairs
1	499198	DD 7/7	147	230	50/60	1.7	1290	327	284	145	225	4
2	499144	DAIN 9/9	373	230	50	4.3	1380	390	360	180	290	1
3	499087	DDRE 9/9	400	230	50	3.8	1320	320	340	260	298	1
4	601507	DAIN 10/10	600	230	50	9.3	1380	430	450	180/290	330	4



speed controllers



1

fig.	Part No.	voltage input	voltage output	P (W)	max. (A)	load current (A)	version	length external size (mm)	width external size (mm)	D (mm)
1	403436	230	100/125/145/180/230		3			240	190	90
1	403437	230	100/125/145/180/230		5			240	190	160
1	403438	230	100/125/145/180/230		7			240	190	160

accessories universal

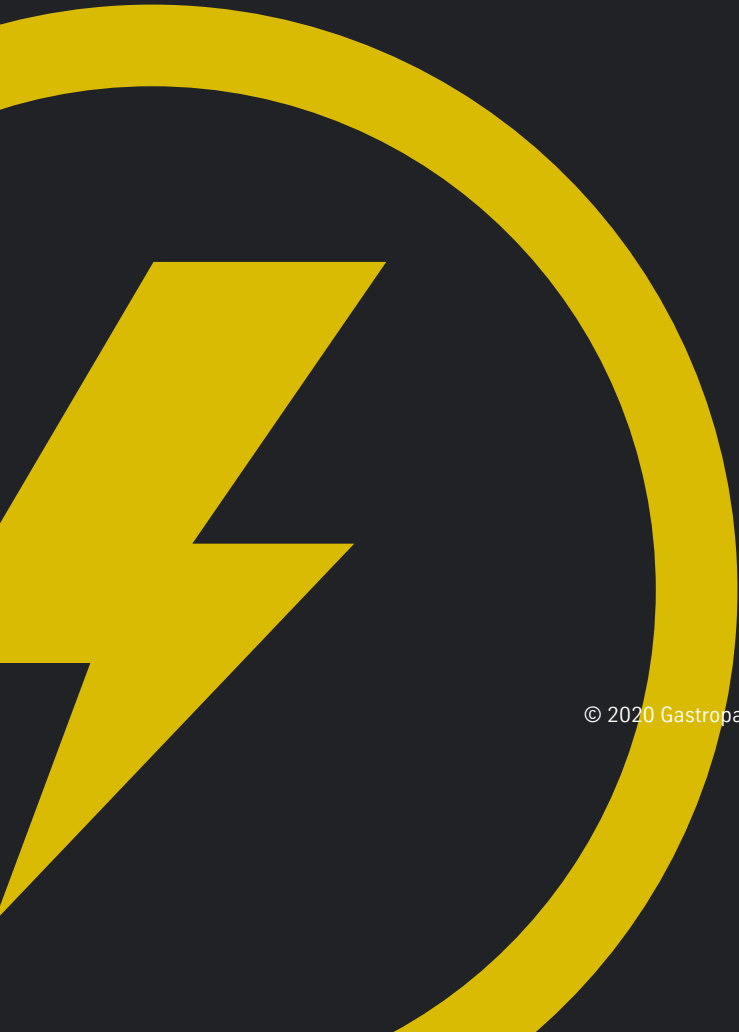


1

2

fig.	Part No.	description	fig.	Part No.	description
1	801338	puller for fan wheel seat \varnothing 18-22mm WS 17	1	801445	puller for fan wheel seat \varnothing 33-40mm WS 24
1	801339	puller for fan wheel seat \varnothing 28-33mm WS 24	2	801197	puller for fan wheel seat \varnothing 27-33mm thread M16x1,5

GASTROPARTS.COM



© 2020 Gastroparts Sp. J. All rights reserved.