



GASTROPARTS

Universal Catalogue › Electric Components ›

[EN] **Electrodes**

[DE] Elektroden

[ES] Electr6dos

[FR] 6lectrodes

[IT] Elettrodi

[PL] Elektrody

[RU] 6лектроды

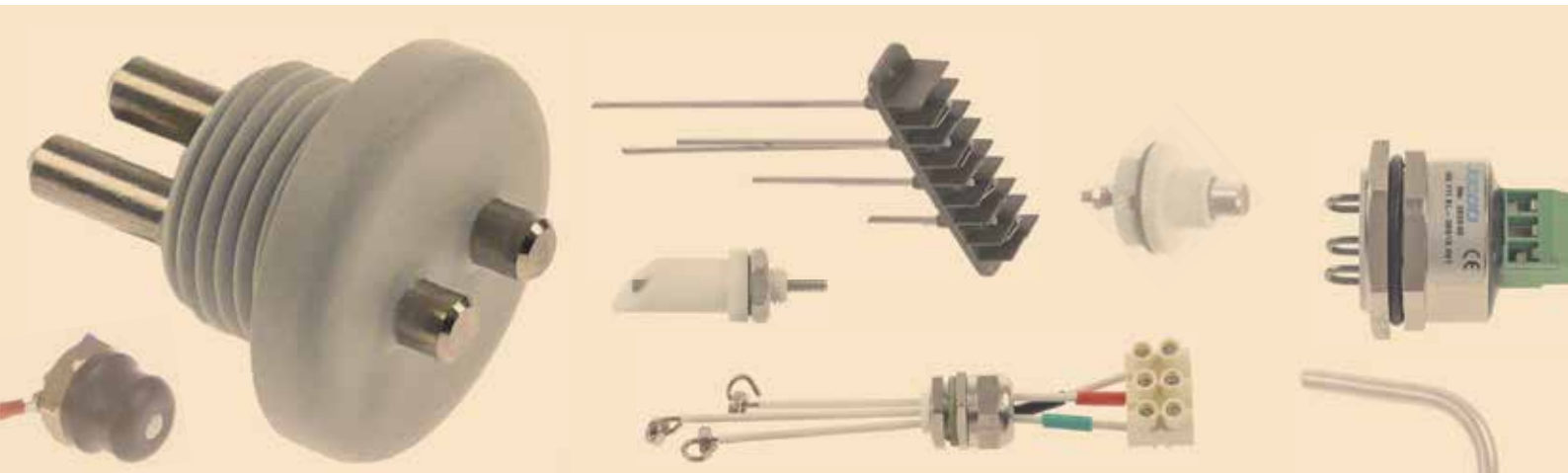
✉ gastroparts@gastroparts.com

☎ tel. +48 56 657 00 66

fb.com/gastroparts.global

GASTROPARTS.COM





electrodes

23

electrodes for conductivity control. 684
level electrodes. 684



electrodes

electrodes for conductivity control

Bores



fig.	Part No.	mounting ø (mm)	fig.	Part No.	mounting ø (mm)
1	361068	12	2	361414	22

Meiko



fig.	Part No.	mounting ø (mm)	fig.	Part No.	mounting ø (mm)
1	361245	17	2	361274	17

level electrodes

Ambach



fig.	Part No.	mounting	total length (mm)	probe L (mm)	connection
1	400130	M14x1.25	220	194	F6.3

Animo



fig.	Part No.	mounting	total length (mm)	probe L (mm)	connection
1	402544	M10	70	40	F6.3

Aristarco



fig.	Part No.	mounting	total length (mm)	probe L (mm)	connection
1	403236	M10x1.5	73	35	M4

Ascobloc



fig.	Part No.	mounting	total length (mm)	probe L (mm)	connection
1	400697	PG16	26	20	M5

Bourgeois



fig.	Part No.	mounting	total length (mm)	probe L (mm)	connection
1	400807	1/2"	112	88	bullet connector



fig.	Part No.	mounting	total length (mm)	probe L (mm)	connection
2	402987	-	325	-	F6.3



fig.	Part No.	mounting	total length (mm)	probe L (mm)	connection
3	402986	-	460	-	F6.3

CoffeeQueen



fig.	Part No.	mounting	total length (mm)	probe L (mm)	connection
1	402837	thread	55	38	-

Comenda



fig.	Part No.	mounting	total length (mm)	probe L (mm)	connection
1	403254	M10x1.5	55	30x40	M4

Convotherm



fig.	Part No.	mounting	total length (mm)	probe L (mm)	connection
1	400076	1/2"	190	125/155	bullet connector



fig.	Part No.	mounting	total length (mm)	probe L (mm)	connection
2	400075	1/2"	270	185/235	bullet connector





fig.	Part No.	mounting	total length (mm)	probe L (mm)	connection
3	401869	flange with thread	185	160/30	bullet connector

Cookmax




fig.	Part No.	mounting	total length (mm)	probe L (mm)	connection
1	402104	flange with thread	175	155/115/90/60/45/30	F2.8

Electrolux




fig.	Part No.	mounting	total length (mm)	probe L (mm)	connection
1	400405	1/4"	345	320	F6.3




fig.	Part No.	mounting	total length (mm)	probe L (mm)	connection
2	400124	push-in	128	103	F6.3




fig.	Part No.	mounting	total length (mm)	probe L (mm)	connection
3	401548	push-in	175	151	F6.3

Elframo




fig.	Part No.	mounting	total length (mm)	probe L (mm)	connection
1	403263		75		
1	403264		125		

Emmepi




fig.	Part No.	mounting	total length (mm)	probe L (mm)	connection
1	400021	PG9	110	70/47/24	grip connection
1	400022	PG9	135	89/59/28	grip connection

Fagor




fig.	Part No.	mounting	total length (mm)	probe L (mm)	connection
1	400163	PG9	100	72/43/22	grip connection




fig.	Part No.	mounting	total length (mm)	probe L (mm)	connection
2	400021	PG9	110	70/47/24	grip connection
2	400022	PG9	135	89/59/28	grip connection




fig.	Part No.	mounting	total length (mm)	probe L (mm)	connection
3	400884	push-in	105	95	M4
3	400885	push-in	120	110	M4
3	400886	push-in	130	120	M4

Falcon




fig.	Part No.	mounting	total length (mm)	probe L (mm)	connection
1	403183	3/8"	162	11	M3




fig.	Part No.	mounting	total length (mm)	probe L (mm)	connection
2	403143	2 hole flange	100	-	M6x1




fig.	Part No.	mounting	total length (mm)	probe L (mm)	connection
3	403144	2 hole flange	215	116	M6x1

Gicar




fig.	Part No.	mounting	total length (mm)	probe L (mm)	connection
1	401161	1/4"	210	184	F6.3
1	400130	M14x1.25	220	194	F6.3



2




fig.	Part No.	mounting	total length (mm)	probe L (mm)	connection
2	400405	1/4"	345	320	F6.3

3




fig.	Part No.	mounting	total length (mm)	probe L (mm)	connection
3	401548	push-in	175	151	F6.3

GIGA

1




fig.	Part No.	mounting	total length (mm)	probe L (mm)	connection
1	400130	M14x1.25	220	194	F6.3

Granuldisk

1




fig.	Part No.	mounting	total length (mm)	probe L (mm)	connection
1	403322	3/8"	75	46	M4

Groen USA

1




fig.	Part No.	mounting	total length (mm)	probe L (mm)	connection
1	403183	3/8"	162	11	M3

Hobart

1




fig.	Part No.	mounting	total length (mm)	probe L (mm)	connection
1	402986	-	460	-	F6.3

Hoonved

1

2

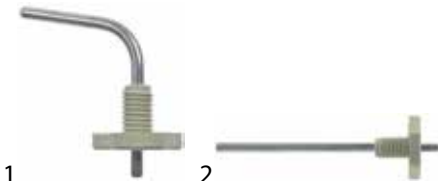


fig.	Part No.	mounting	total length (mm)	probe L (mm)	connection
1	361385	1/8"	55	40x40	M4
2	361386	1/8"	95	82	M4

3



fig.	Part No.	mounting	total length (mm)	probe L (mm)	connection
3	512072	1/2"	78.5	63	M5x0.8

Icematic

1




fig.	Part No.	mounting	total length (mm)	probe L (mm)	connection
1	403562	push-in	120	95	F6.3

Inomak

1




fig.	Part No.	mounting	total length (mm)	probe L (mm)	connection
1	403296	push-in	167	115	F6.3

Juno

1




fig.	Part No.	mounting	total length (mm)	probe L (mm)	connection
1	400405	1/4"	345	320	F6.3

2




fig.	Part No.	mounting	total length (mm)	probe L (mm)	connection
2	400124	push-in	128	103	F6.3

3




fig.	Part No.	mounting	total length (mm)	probe L (mm)	connection
3	401548	push-in	175	151	F6.3

Krefft

1




fig.	Part No.	mounting	total length (mm)	probe L (mm)	connection
1	400021	PG9	110	70/47/24	grip connection
1	400022	PG9	135	89/59/28	grip connection

Küppersbusch

1





fig.	Part No.	mounting	total length (mm)	probe L (mm)	connection
1	400072	push-in	100	90	F6.3
1	400071	push-in	170	155	F6.3




Lainox



1

fig.	Part No.	mounting	total length (mm)	probe L (mm)	connection
1	400130	M14x1.25	220	194	F6.3


Lincat



1

fig.	Part No.	mounting	total length (mm)	probe L (mm)	connection
1	401912	1/8"	230	225	bullet connector


Mach



1

fig.	Part No.	mounting	total length (mm)	probe L (mm)	connection
1	504138	M10	56	30	bullet connector


Marco



1

fig.	Part No.	mounting	total length (mm)	probe L (mm)	connection
1	402777	1/4"	140	127	M4


Mareno



1

fig.	Part No.	mounting	total length (mm)	probe L (mm)	connection
1	401161	1/4"	210	184	F6.3


MBM-Italia



1

fig.	Part No.	mounting	total length (mm)	probe L (mm)	connection
1	401161	1/4"	210	184	F6.3


Meiko



1

fig.	Part No.	mounting	total length (mm)	probe L (mm)	connection
1	403314	1/2"	150	125	bullet connector


Melitta



1

fig.	Part No.	mounting	total length (mm)	probe L (mm)	connection
1	402104	flange with thread	175	155/115/90/60/45/30	F2.8

MKN



1


fig.	Part No.	mounting	total length (mm)	probe L (mm)	connection
1	401409	1/4"	132	102	F6.3



2

fig.	Part No.	mounting	total length (mm)	probe L (mm)	connection
2	401458	M10x1	132	112	F6.3


Morice



1

fig.	Part No.	mounting	total length (mm)	probe L (mm)	connection
1	403136	M4	150	145	F6.3
1	403135	M4	200	12	F6.3

Palux



1

fig.	Part No.	mounting	total length (mm)	probe L (mm)	connection
1	400697	PG16	26	20	M5



Pavoni



1

fig.	Part No.	mounting	total length (mm)	probe L (mm)	connection
1	402549	1/4"	125	100	F6.3

Rational



1

fig.	Part No.	mounting	total length (mm)	probe L (mm)	connection
1	403138	PG9	100	85	coded plug



2

fig.	Part No.	mounting	total length (mm)	probe L (mm)	connection
2	400163	PG9	100	72/43/22	grip connection



3

fig.	Part No.	mounting	total length (mm)	probe L (mm)	connection
3	400021	PG9	110	70/47/24	grip connection
3	400022	PG9	135	89/59/28	grip connection



4

fig.	Part No.	mounting	total length (mm)	probe L (mm)	connection
4	403298	M15x1.5	110	85	coded plug



5

fig.	Part No.	mounting	total length (mm)	probe L (mm)	connection
5	403297	M15x1.5	190	165	coded plug

Retigo



1

fig.	Part No.	mounting	total length (mm)	probe L (mm)	connection
1	403295	M16x1	205	148	3-wire



2

fig.	Part No.	mounting	total length (mm)	probe L (mm)	connection
2	403353	push-in	225	185	bullet connector

Rieber



1

fig.	Part No.	mounting	total length (mm)	probe L (mm)	connection
1	401590	PG21	50	10	grip connection

Rosinox



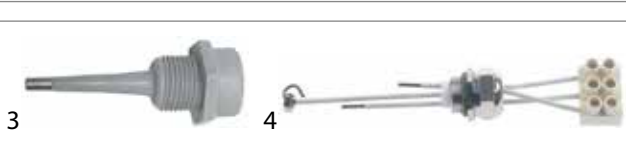
1

fig.	Part No.	mounting	total length (mm)	probe L (mm)	connection
1	403131	1/4"	330	270	M4



2

fig.	Part No.	mounting	total length (mm)	probe L (mm)	connection
2	400171	1/4"	350	325	F6.3



3

fig.	Part No.	mounting	total length (mm)	probe L (mm)	connection
3	512072	1/2"	78.5	63	M5x0.8
4	400021	PG9	110	70/47/24	grip connection
4	400022	PG9	135	89/59/28	grip connection

Silko



1

fig.	Part No.	mounting	total length (mm)	probe L (mm)	connection
1	400171	1/4"	350	325	F6.3



Therma

1




fig.	Part No.	mounting	total length (mm)	probe L (mm)	connection
1	400124	push-in	128	103	F6.3

Zanussi

1




fig.	Part No.	mounting	total length (mm)	probe L (mm)	connection
1	400124	push-in	128	103	F6.3

Wiesheu-Wiwa

1




fig.	Part No.	mounting	total length (mm)	probe L (mm)	connection
1	400065	M15x1.5	135	77/67/57	grip connection

2


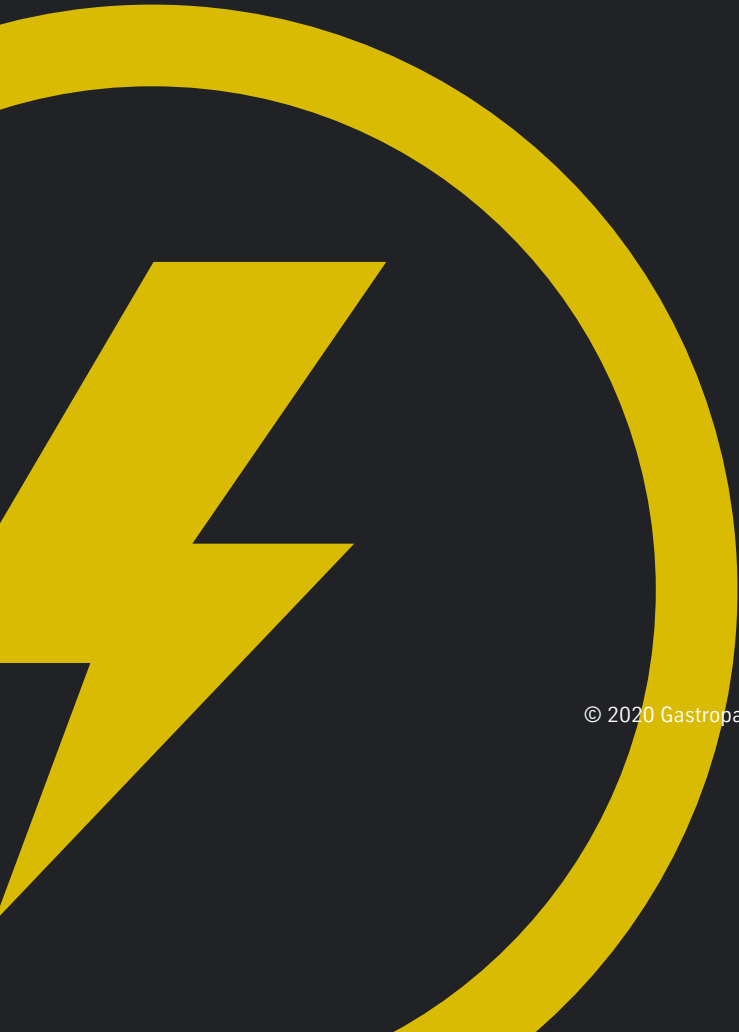


fig.	Part No.	mounting	total length (mm)	probe L (mm)	connection
2	401548	push-in	175	151	F6.3

GASTROPARTS.COM



© 2020 Gastroparts Sp. J. All rights reserved.