



GASTROPARTS

Repagas

[EN] Cooking

[DE] Kochtechnik

[ES] Cocción

[FR] Cuisson

[IT] Cottura

[PL] Obróbka termiczna

[RU] Термическая обработка

✉ gastroparts@gastroparts.com

☎ tel. +48 56 657 00 66

📘 fb.com/gastroparts.global

GASTROPARTS.COM





heating elements




heating elements for heated cabinets



Part No.	419065	Ref. No.	1510002
description	heating element 1400W 230V heating circuits 1 L 375mm W 140mm connection length 30mm connection male faston 6.3mm tube \varnothing 6.3mm 2 hole fixing thread M10x1 dry heating element L1 45mm L2 75mm L3 255mm W1 45mm W2 50mm mounting distance 44mm		

immersion heating elements

3 hole flange \varnothing 47.5mm

Part No.	418136	Ref. No.	1250007
description	heating element 4360W 240V mounting \varnothing 47.5mm heating circuits 3 L 310mm W 31mm H 35mm number of thermostat sleeves 1 thermostat sleeves \varnothing 7mm length thermostat sleeves 200mm thermostat sleeve clinging tube \varnothing 6.3mm hole distance 62mm hole \varnothing 8mm connection M4 3 hole flange immersion heater		
spare parts for	418136		
	Part No.	510408	Ref. No. —
	O-ring EPDM thickness 5.34mm ID \varnothing 47mm Qty 1 pcs		
accessories for	418136		
	Part No.	510408	Ref. No. —
	O-ring EPDM thickness 5.34mm ID \varnothing 47mm Qty 1 pcs		
	Part No.	510562	Ref. No. —
	O-ring silicone thickness 5.34mm ID \varnothing 47mm Qty 1 pcs		


with expansion flange 70 x 18mm



Part No.	418137	Ref. No.	42000003
description	heating element 3000W 230V heating circuits 1 flange 70x18mm L 220mm W 65mm Hmm connection male faston 6.3mm tube \varnothing 8.5mm immersion heater expansion flange connection length 34mm		

heating elements for convection



Part No.	418102	Ref. No.	91600001
description	heating element 16400W 230V heating circuits 3 ID \varnothing 441mm ED \varnothing 458mm L 492mm H 143mm L1 34mm W1 104mm H1 128mm H2 115mm flange length 142mm flange width 25mm hole distance 63mm connection M6x1 tube \varnothing 8.5mm convection heating element hole \varnothing 6mm rectangular flange		
accessories for	418102		
	Part No.	699165	Ref. No. —
	gasket L 142mm W 25mm D1 \varnothing 6.5mm D2 \varnothing 12mm hole distance 17mm 9 holes graphite thickness 2mm		





Part No.	418134	Ref. No.	1230005
description	heating element 3300W 240V heating circuits 1 ID \varnothing 185mm ED \varnothing 200mm L 215mm H 30mm W1 60mm H1 5mm H2 25mm flange length 100mm flange width 22mm hole distance 85mm connection male faston 6.3mm connection length 22mm tube \varnothing 6.5mm convection heating element hole \varnothing 5mm rectangular flange		









Part No.	418132	Ref. No.	1250016
description	heating element 7350W 230V heating circuits 3 ID \varnothing 250mm ED \varnothing 265mm L 277mm H 75mm L1 17mm W1 102mm H1 12mm H2 67mm flange length 143mm flange width 25mm hole distance 7mm connection M4 tube \varnothing 6.5mm convection heating element hole \varnothing 63mm rectangular flange		



 <p>1</p>			
Part No.	418753	Ref. No.	45200001
description	heating element 8000W 230V heating circuits 3 ID ø 287mm ED ø 300mm L 345mm H 90mm L1 39mm H1 20mm H2 67mm flange length 142mm flange width 25mm hole distance 12.7mm connection M4 connection length 67mm tube ø 6.5mm convection heating element hole ø 7mm rectangular flange		


 <p>1</p>			
Part No.	419222	Ref. No.	92800004
description	heating element 27000/29000W 400/415V L 590mm W 545mm H 140mm heating circuits 3 cable lengthmm		

 <p>1</p>			
Part No.	418135	Ref. No.	1230006
description	heating element 920W 230V heating circuits 1 ID ø 200mm ED ø 215mm L 255mm H 40mm thread 1/4" connection male faston 6.3mm 2 hole fixing mounting distance 24mm tube ø 8.5mm convection heating element		
accessories for	418135		
	Part No.	361182	Ref. No. —
	nut thread 1/4" H 5mm nickel-plated brass WS 17 Qty 1 pcs		
	Part No.	510417	Ref. No. —
	flat gasket fibre ED ø 20mm ID ø 14mm thickness 2mm Qty 1 pcs		
	Part No.	520228	Ref. No. —
	tooth lock washer ID ø 15.3mm ED ø 24mm steel Qty 1 pcs for thread M14		
	Part No.	550262	Ref. No. —
	flat gasket copper ED ø 20mm ID ø 14mm thickness 2mm		

 <p>1</p>			
Part No.	418139	Ref. No.	1240014
description	heating element 3500W 240V heating circuits 1 L 620mm W 120mm L1 33mm L2 587mm W2 90mm flange length 70mm flange width 22mm hole distance 56mm connection length 100mm connection M4 tube ø 8.5mm hole ø 6mm W1 30mm rectangular flange convection heating element windings 2		

accessories


hexagonal nuts


 <p>1</p>			
Part No.	520230	Ref. No.	00112127 010106
description	nut thread M14x1.5 H 5mm WS 19 zinc-coated steel Qty 1 pcs		

energy regulators

EGO

1-circuit

 <p>1</p>			
Part No.	380019	Ref. No.	1230018
description	energy regulator 240V 13A single-circuit turn direction right shaft ø 6x4.6mm shaft L 23mm mounting thread M4 power release 6-100% no. 50.57071.010		

 <p>1</p>			
Part No.	419261	Ref. No.	92000041
description	heating element 9500/10400W 230/240V heating circuits 3 ID ø 320mm ED ø 337mm L 380mm H 148mm L1 40mm W1 105mm H1 20mm H2 120mm flange length 142mm flange width 25mm hole distance 18mm connection M6x1 connection length 85mm tube ø 8.5mm convection heating element flange combi-steamer		



thermostats

control and safety thermostats

EGO

control thermostats

55.10/19_ series



1

Part No.	390068	Ref. No.	1230017
-----------------	--------	-----------------	---------

description thermostat t.max. 269°C temperature range 55-269°C 1-pole 1CO 16A probe ø 3.1mm probe L 219mm capillary pipe 1280mm capillary pipe isolated 1270mm gland nut shaft ø 6x4.6mm shaft L 23mm shaft position upper° rotation 318°



1

Part No.	375002	Ref. No.	1270013
-----------------	--------	-----------------	---------

description thermostat t.max. 320°C temperature range 55-320°C 1-pole 1NO 16A probe ø 3.1mm probe L 226mm capillary pipe 870mm capillary pipe isolated 850mm gland nut shaft L 23mm shaft position upper rotation 270°

55.13_ series



1

Part No.	375505	Ref. No.	32403007
-----------------	--------	-----------------	----------

description thermostat t.max. 320°C temperature range 50-320°C 1-pole 1NO 16A probe ø 3mm probe L 160mm capillary pipe 870mm capillary pipe isolatedmm gland nut shaft ø 6x4.6mm shaft L 23mm shaft position upper rotation 270°

safety thermostats

55.10/19_ series



1

Part No.	375250	Ref. No.	1440003
-----------------	--------	-----------------	---------

description safety thermostat capillary pipe 870mm probe ø 6mm 1-pole probe L 129mm 16A capillary pipe isolatedmm gland nut switch-off temp. 130°C probe SS

spare parts for	375250
------------------------	--------



Part No.	551083	Ref. No.	—
-----------------	--------	-----------------	---

cap for safety thermostat thread M8x1

55.32_ series



1

Part No.	375649	Ref. No.	1250025
-----------------	--------	-----------------	---------

description safety thermostat switch-off temp. 160°C 3-pole 20A probe ø 6mm probe L 87mm capillary pipe 890mm capillary pipe isolated 880mm gland nut probe SS

IMIT / TEMPOMATIC / ARATHERMO

control thermostats



1

Part No.	375847	Ref. No.	25304008
-----------------	--------	-----------------	----------

description thermostat t.max. 90°C temperature range 0-90°C 1-pole 1CO 15A probe ø 6.5mm probe L 100mm capillary pipe 1500mm capillary pipe isolatedmm gland nut shaft ø 6x4.6mm shaft L 18mm shaft position +135° rotation 270° 250V




safety thermostats

			
1			
Part No.	375941	Ref. No.	57103016
description	safety thermostat switch-off temp. 238°C 1-pole 1NC 16A probe ø 5mm probe L 100mm capillary pipe 1050mm capillary pipe isolatedmm gland nut 250V		

CAEM

control thermostats


			
1			
Part No.	375645	Ref. No.	43000006
description	thermostat t.max. 120°C temperature range 30-120°C 1-pole 1CO 16A probe ø 6mm probe L 110mm capillary pipe 1600mm capillary pipe isolated 1550mm gland nut shaft ø 6x4.6mm shaft L 22mm shaft position upper rotation 270° probe material copper 250V		

switches and momentary switches


microswitches


pin-plunger actuated


M10


			
1			
Part No.	347216	Ref. No.	1230024
description	microswitch with plunger thread M10x0.75 thread L 14mm 250V 10A 1CO connection male faston 6.3mm stroke 7.5mm mounting distance 22mm L 28mm ambient temperature max. 125°C type NR6K5 actuating force: 260g		


system switches (ROLD)


			
1			
Part No.	345537	Ref. No.	44700004
description	element holder mounting measurements 20.6x16.4mm grey arched for push buttons 13x17mm		

			
1			
Part No.	345131	Ref. No.	1510009
description	element holder mounting measurements 28.5x28.5mm grey single element holder		

			
1			
Part No.	345606	Ref. No.	43000005
description	momentary switch unit 2CO 250V 16A connection male faston 6.3mm		

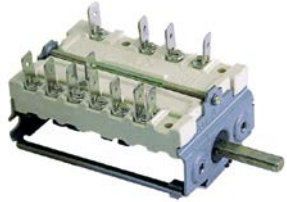
			
1			
Part No.	346211	Ref. No.	1510008
description	push button ø 23mm grey with lens		

			
1			
Part No.	345539	Ref. No.	44700003
description	push button size 17x13mm grey		

			
1			
Part No.	345605	Ref. No.	1250039
description	switch 2CO 250V 16A connection male faston 6.3mm		

cam switches

4 operating positions

			
1			
Part No.	300010	Ref. No.	1230016
description	cam switch 4 operating positions 2NO/2CO sequence 0-1-2-3 16A shaft ø 6x4.6mm shaft L 23mm connection male faston 6.3mm ceramic		

operation switches

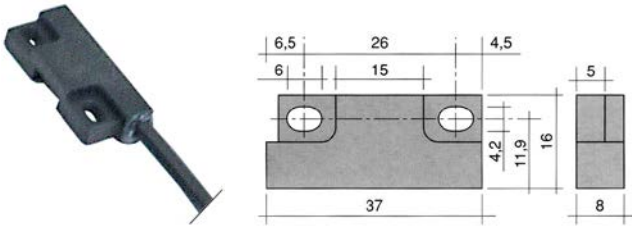


1


Part No.	300153	Ref. No.	1270012
description	cam switch 3 operating positions operation switch 16A sequence 0-1-2 shaft ø 6x4.6mm shaft L 23mm connection male faston 6.3mm plastic ambient temperature max. 240°C		

magnetic switches

37x16mm




1

Part No.	345600	Ref. No.	92000018
description	magnetic switch L 37mm W 16mm 1NO 250V 0.2A P max. 50W connection cable cable length 960mm		
accessories for	345600		
	Part No.	Ref. No.	—
	519049		
	magnet ømm L 63mm H 10.7mm W 18.8mm hole distance 52mm M2 hole ø 2mm		

accessories

magnets



1


Part No.	691178	Ref. No.	92000021
description	magnet ø 22mm Lmm H 7mm Wmm ED ø 22mm M5		

encoders and potentiometers



1

Part No.	402322	Ref. No.	90200019
description	encoder		



1

Part No.	300272	Ref. No.	90100015
description	encoder shaft ø 6x4.6mm for combi-steamer		


lamps

indicator lights

indicator lights (complete)


ø10mm

with plug-in socket




1

Part No.	359139	Ref. No.	1250050
description	indicator light ø 10mm green 230V connection male faston 6.3mm Qty 1 pcs		



1

Part No.	359138	Ref. No.	1260025
description	indicator light ø 10mm red 230V connection male faston 6.3mm Qty 1 pcs		



1

Part No.	359140	Ref. No.	1230023
description	indicator light ø 10mm yellow 230V connection male faston 6.3mm Qty 1 pcs		

screw-on/push-on fit


light bulbs

for ovens



1

Part No.	359610	Ref. No.	1230009
description	light bulb t.max. 300°C socket E14 15W 230V ø 22mm L 47mm lens L 20mm for oven lamp type Philips		



1

Part No.	357153	Ref. No.	1250021
description	light bulb t.max. 300°C socket E14 25W 230V ø 25mm L 55mm lens L 30mm for oven type		



halogen lamp

for socket G4 / G6.35 / G9



Part No.	359599	Ref. No.	4220007
description	halogen lamp socket G4 12V 20W temp.-resist. 500°C		

oven lamps

universal oven lamps

mounting diameter 35.5mm



Part No.	359701	Ref. No.	1230010
description	lamp socket socket E14 220-230V mounting ø 35.5mm connection male faston 6.3mm 15W		

accessories for	359701			
	Part No.	359705	Ref. No.	—
	oven lamp glass thr.ø 33.5mm ø 52mm hard glas temp.-resist. 350°C			
	Part No.	359709	Ref. No.	—
	oven lamp glass thr.ø 33.5mm ø 42mm hard glas temp.-resist. 350°C			
	Part No.	359721	Ref. No.	1230008
	gasket silicone ED ø 48mm ID ø 39.5mm thickness 5mm Qty 1 pcs			
	Part No.	359942	Ref. No.	—
	oven lamp glass thr.ø 33.5mm ø 41mm hard glas temp.-resist. 350°C			



Part No.	359661	Ref. No.	1230007
description	oven lamp glass thread 32.1 ø 58mm hard glas temp.-resist. 350°C		

accessories for	359661			
	Part No.	359700	Ref. No.	—
	gasket for pizza oven fibre glass ID ø 32.5mm ED ø 55mm thickness 5mm			



Part No.	359721	Ref. No.	1230008
description	gasket silicone ED ø 48mm ID ø 39.5mm thickness 5mm Qty 1 pcs		

55x70mm

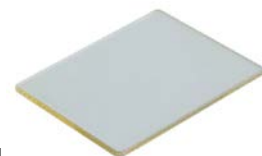


Part No.	359297	Ref. No.	4410006
description	frame L 95mm W 81mm mounting distance 68/83mm thickness 6mm		

accessories for	359297			
	Part No.	359299	Ref. No.	4410005
	gasket L 91mm W 77mm hole ø 3mm for oven lamp			



Part No.	359299	Ref. No.	4410005
description	gasket L 91mm W 77mm hole ø 3mm for oven lamp		



Part No.	359296	Ref. No.	4410004
description	lamp glass L 74mm W 58mm thickness 3mm		

55x100mm



Part No.	359698	Ref. No.	1250065
description	lamp socket L 100mm W 55mm socket E14 connection male faston 6.3mm		

spare parts for	359698			
	Part No.	358119	Ref. No.	—
	frame L 118mm W 72mm mounting distance 143mm for bulb socket			

	Part No.	358122	Ref. No.	—
	gasket L 112mm W 68mm silicone thickness 3mm for bulb socket			





	Part No.	358123	Ref. No.	—
	lamp glass L 112mm W 68mm			


	Part No.	359612	Ref. No.	—
	light bulb t.max. 300°C socket E14 25W 230V ø 25mm L 56mm lens L 30mm for oven lamp type Philips			


	Part No.	359714	Ref. No.	1250020
	gasket silicone L 140mm W 75mm for bulb socket			

Table continues overleaf













spare parts for 359698	
	Part No. 359715 Ref. No. 1250019 lamp glass L 110mm W 65mm thickness 5mm
	Part No. 359716 Ref. No. 1250018 frame for bulb socket
accessories for 359698	
	Part No. 359612 Ref. No. — light bulb t.max. 300°C socket E14 25W 230V ø 25mm L 56mm lens L 30mm for oven lamp type Philips
	Part No. 359938 Ref. No. — borosilicate glass L 115mm W 69mm

	
1	
Part No.	359716
Ref. No.	1250018
description	frame for bulb socket

	
1	
Part No.	359714
Ref. No.	1250020
description	gasket silicone L 140mm W 75mm for bulb socket


	
1	
Part No.	359715
Ref. No.	1250019
description	lamp glass L 110mm W 65mm thickness 5mm


	
1	
Part No.	359698
Ref. No.	1250065
description	lamp socket L 100mm W 55mm socket E14 connection male faston 6.3mm
spare parts for 359698	
	Part No. 358119 Ref. No. — frame L 118mm W 72mm mounting distance 143mm for bulb socket
	Part No. 358122 Ref. No. — gasket L 112mm W 68mm silicone thickness 3mm for bulb socket
	Part No. 358123 Ref. No. — lamp glass L 112mm W 68mm

spare parts for 359698	
	Part No. 359612 Ref. No. — light bulb t.max. 300°C socket E14 25W 230V ø 25mm L 56mm lens L 30mm for oven lamp type Philips
	Part No. 359714 Ref. No. 1250020 gasket silicone L 140mm W 75mm for bulb socket
	Part No. 359715 Ref. No. 1250019 lamp glass L 110mm W 65mm thickness 5mm
	Part No. 359716 Ref. No. 1250018 frame for bulb socket
accessories for 359698	
	Part No. 359612 Ref. No. — light bulb t.max. 300°C socket E14 25W 230V ø 25mm L 56mm lens L 30mm for oven lamp type Philips
	Part No. 359938 Ref. No. — borosilicate glass L 115mm W 69mm

lamps


light bulbs

	
1	
Part No.	359610
Ref. No.	1230009
description	light bulb t.max. 300°C socket E14 15W 230V ø 22mm L 47mm lens L 20mm for oven lamp type Philips

	
1	
Part No.	357153
Ref. No.	1250021
description	light bulb t.max. 300°C socket E14 25W 230V ø 25mm L 55mm lens L 30mm for oven type

halogen lamps

for socket G4 / G6.35 / G9

	
1	
Part No.	359599
Ref. No.	42200007
description	halogen lamp socket G4 12V 20W temp.-resist. 500°C



sockets

G4 / G5,3 / G6,35



1

Part No.	359646	Ref. No.	42200008
description	lamp socket socket G4/G5.3/G6.35 24V ø 17mm H 15mm connection cable 130mm mounting distance 26mm for halogen lamp holder length 31mm cable length 130mm		

timers

programme timers



1

Part No.	360645	Ref. No.	92000036
description	timer CDC 11901F engines 1 chambers 1 operation time 20S 230V 50/60Hz shaft ø 6x4mm shaft L 25mm manuf. no. 11901F1CEE000.0000		

mechanical timers



1

Part No.	350008	Ref. No.	1250037
description	timer M2 with bell 2-pole operation time 120min impulse mechanical 2NO at 250V 16A permanent position yes shaft ø 6x4.6mm shaft 6x4.6mm shaft L 24mm mounting distance 28mm connection lateral		

alarm devices

buzzers



1

Part No.	350050	Ref. No.	1230015
description	buzzer 230VAC connection male faston 6.3mm screw mounting thread M4 60dB		

contactors

LOVATO

power contactors



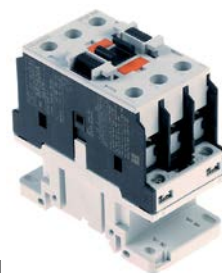
1

Part No.	380704	Ref. No.	92000046
description	power contactor resistive load 20A 230VAC (AC3/400V) 9A/4kW main contacts 3NO auxiliary contacts 1NC connection screw connection type 11BG0901A230		



1

Part No.	380083	Ref. No.	16300011 92000044
description	power contactor resistive load 25A 230VAC (AC3/400V) 9A/4.2kW main contacts 3NO auxiliary contacts 1NC connection screw connection type BF0901A230		



1

Part No.	380722	Ref. No.	92200003
description	power contactor resistive load 56A 230VAC (AC3/400V) 32A/16kW main contacts 3NO auxiliary contacts connection screw connection type BF3200A230		



SIEMENS

power contactors



1

Part No.	380645	Ref. No.	1260010
-----------------	--------	-----------------	---------

description	power contactor 230VAC with auxiliary contacts
--------------------	--



1

Part No.	380389	Ref. No.	1430006
-----------------	--------	-----------------	---------

description	power contactor resistive load 22A 230VAC (AC3/400V) 9A/4kW main contacts 3NO auxiliary contacts 1NO connection screw connection type 3RT10-16-1AP01
--------------------	--

overload switches



1

Part No.	381002	Ref. No.	1420005
-----------------	--------	-----------------	---------

description	overload switch setting range 1.8-2.5A
--------------------	--

TELEMECANIQUE (Schneider Electric)

power contactors



1

Part No.	380820	Ref. No.	1130014
-----------------	--------	-----------------	---------

description	power contactor resistive load 25A 230VAC (AC3/400V) 9A/4kW main contacts 3NO auxiliary contacts 1NO/1NC connection screw connection type LC1D0900M7
--------------------	--

relays

power relays

with male contacts

female contact 2.0mm





1


Part No.	380129	Ref. No.	4120002
-----------------	--------	-----------------	---------


description	power relays 24VAC 12A 2CO connection F2 plug-in connection 94.92.3 250V connection 2mm
--------------------	---

accessories for	380129
------------------------	--------

	Part No.	380341	Ref. No.	—
	description	relay socket 4-pole contacts 12 300V voltage AC 6A Italiana Relè manif. no. ZMD4		

	Part No.	380378	Ref. No.	—
	description	relay socket 2-pole 55/85 dimensions 70.5x30x27mm 250V voltage AC 10A FINDER manif. no. 94.72		

	Part No.	380384	Ref. No.	—
	description	relay socket 2-pole contacts male faston 2.8mm 250V voltage AC 10A W 23mm for		

	Part No.	380399	Ref. No.	—
	description	relay socket 4-pole dimensions 76.2x27x86.1mm 250V voltage AC 1A FINDER manif. no. 94.94.3		



level relays

GICAR



1



Part No.	401224	Ref. No.	43700002
description	level relay 230V connection F6.3 type RL30/3ES/F/G		

time relays

time relays




1

Part No.	380329	Ref. No.	43000002
description	time relay FIBER 85.02.8.240 time range 0.05s - 100h 230-240VAC 10A mounting measurements 20.6x27.7mm 2CO connection 2.0		
accessories for	380329		
	Part No.	380378	Ref. No. —
	relay socket 2-pole 55/85 dimensions 70.5x30x27mm 250V voltage AC 10A FINDER manuf. no. 94.72		
	Part No.	380803	Ref. No. —
	relay socket 2-pole dimensions 76.2x27x86.1mm 250V voltage AC 10A FINDER manuf. no. 94.92.3		




1

Part No.	380639	Ref. No.	41100005
description	time relay TECNOLOGIC RTR12DS06S time range 6s 230VAC 5A mounting measurements 34x34mm 1CO connection plug-in connection round 8-pole		
accessories for	380639		
	Part No.	380638	Ref. No. —
	relay socket 8-pole dimensions 51x41x23mm 250V 10A FINDER manuf. no. 90.26		



1

Part No.	380640	Ref. No.	41100006
description	time relay TECNOLOGIC RTR12DS60S time range 60s 230VAC 5A 1CO connection plug-in connection round 8-pole		
accessories for	380640		
	Part No.	380638	Ref. No. —
	relay socket 8-pole dimensions 51x41x23mm 250V 10A FINDER manuf. no. 90.26		

transformers

open transformers

with clamp terminal



1

Part No.	403905	Ref. No.	92000016
description	transformer primary 230V/50-60Hz secondary 12V 50VA connection screw connection type T1ULF		

with plug connection



1

Part No.	400956	Ref. No.	92000045
description	transformer primary 230VAC secondary 12VAC 20VA connection male faston 6.3mm 50/60Hz type T602012/E temperature restriction 150°C ambient temperature max. 80°C		



electronic controllers

EVCO - EVERY CONTROL

universal controllers

built-in version



1	Part No.	378131	Ref. No.	1230020
	description	electronic controller EVERY CONTROL EVK411M mounting measurements 71x29mm 12V voltage AC/DC NTC/PTC/Pt100/Pt1000 relay outputs 1 CO-16A(8) NTC/PTC/Pt100/Pt1000/TC(J,K)/mV/mA yes protection IP65 dependent on probe°C display 3½ digits		
	accessories for	378131		
	Part No.	379050	Ref. No.	—
	description	temperature probe Pt100 cable Vetrotex probe -200 up to +600°C cable -50 up to +350°C probe ø6x100mm cable length 2.7m without screw connection 3-wire		
	Part No.	379160	Ref. No.	—
	description	temperature probe NTC 10kOhm cable thermoplastic probe -40 up to +110°C cable -40 up to +110°C probe ø6x14mm cable length 1.5m without screw connection 2-wire		
	Part No.	379781	Ref. No.	—
	description	temperature probe PTC 1kOhm cable thermoplastic probe -50 up to +150°C cable -40 up to +110°C probe ø6x14mm cable length 1.5m without screw connection 2-wire		
	Part No.	379944	Ref. No.	—
	description	temperature probe Pt1000 cable Vetrotex probe -70 up to +500°C cable -50 up to +350°C connection 2-wire thread probe ø6x180mm cable length 1.7m		

probes

universal probes

temperature probes



1	Part No.	379052	Ref. No.	44300002
	description	temperature probe PTC 1kOhm cable silicone probe -50 up to +150°C cable -50 up to +180°C probe ø6x40mm cable length 1.5m without screw connection 2-wire		

producer-specific probes

probes



1	Part No.	402154	Ref. No.	1460011
	description	temperature probe Pt100 cable silicone probe -100 up to 450°C cable -50 up to +180°C connection 3-wire thread 1/8" probe ø6x35mm cable length 1.5m		

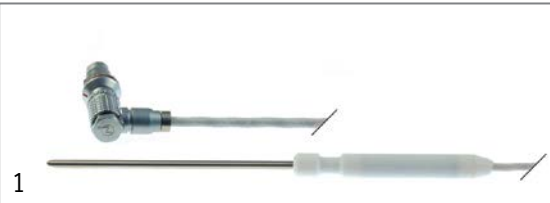


1	Part No.	379331	Ref. No.	92000004
	description	temperature probe Pt1000 cable PTFE probe -70 up to +500°C cable -40 up to +250°C connection 2-wire thread M10x1 probe ø3x60mm cable length 0.7m		

core probes



1	Part No.	379945	Ref. No.	4270004
	description	core temperature probe Pt100 cable PTFE probe -40 up to +250°C cable -40 up to +250°C connection plug probe ø3.5x100mm thread cable length 0.5m handle ø 10mm handle length 80mm		



1	Part No.	379946	Ref. No.	011915 4270001
	description	core temperature probe Pt100 cable PTFE probe -40 up to +250°C cable -40 up to +250°C connection plug probe ø3.5x100mm thread cable length 0.7m handle ø 10mm handle length 80mm		

electronics

PCBs







1	Part No.	401245	Ref. No.	1270005
	description	keypad PCB		



1	Part No.	403473	Ref. No.	005883 49200017
	description	PCB combi-steamer LCM06/M100 L 95mm W 79mm H 43mm Fan Reversal Card		






			
1			
Part No.	404028	Ref. No.	92100004
description	PCB for combi-steamer ANGELO PO L 140mm W 100mm		


			
1			
Part No.	401566	Ref. No.	42200006
description	power PCB without EPROM type CQB 324(02)		
accessories for	401566		
	Part No.	403062	Ref. No.
			—
	Part No.	403201	Ref. No.
			—



solenoid valves


solenoid valves (water)


ELBI			
straight			
			
1			
Part No.	373017	Ref. No.	1230013
description	solenoid valve single straight 230VAC inlet 3/4" outlet 11.5mm DN10 ELBI		
spare parts for	373017		
	Part No.	370467	Ref. No.
			—

RPE			
reducers			
outlet side			
			
1			
Part No.	371269	Ref. No.	009006 1250022
description	reducer flow rate 0.07-0.14l/min brown		

			
1			
Part No.	371266	Ref. No.	008887 1250009
description	reducer flow rate 0.2l/min red		


solenoid valves with reducers			
4-fold			
			
1			
Part No.	374026	Ref. No.	1450003
description	solenoid valve 4-fold straight 230VAC inlet 3/4" outlet 11.5mm duty cycle 100% RPE plastic pressure range 0.2-10bar		
spare parts for	374026		
	Part No.	371015	Ref. No.
			—

TP			
solenoid valves with reducers			
			
1			
Part No.	370648	Ref. No.	92000030 92000031
description	solenoid valve double straight 220-240VAC inlet 3/4" input 10l/min DN10 TP outlet 11.5mm output A 3.4l/min flow regulating valve outlet A green		

			
1			
Part No.	370628	Ref. No.	1240007
description	solenoid valve double straight 230VAC inlet 3/4" input 16l/min DN10 TP plastic outlet 11.5mm		





ball valves electric


			
1			
Part No.	401233	Ref. No.	43000004
description	ball valve inlet 1/2" IT outlet 1/2" IT 230V 50/60Hz mode of operation electric W 60mm H 99mm cable 4-pole 2.5W 4-pole duty cycle 50%		


pressure switches


for combi-steamers

			
1			
Part No.	541806	Ref. No.	92000033
description	pressure control ø 38mm pressure range 0.2-3.0bar connection 1/8" 250V 10A GP600 pressure connection 1/8"		
accessories for	541806		
	Part No.	541814	Ref. No.
			—
	protection cap for pressure switch EPDM XP600		

electrodes

			
1			
Part No.	401161	Ref. No.	43000007
description	level electrode 1/4" total length 210mm probe L 184mm insulated probe length 26mm connection male faston 6.3mm stainless steel ø 2.5mm		


			
1			
Part No.	401225	Ref. No.	1250012
description	level electrode M12 ET - 1/8" ET total length 124/127/139mm probe L 91/95/104mm insulated probe length 42mm set 3-piece connection male faston 6.3mm ø 2.5mm		

			
1			
Part No.	401226	Ref. No.	1260005
description	level electrode M12x1 total length 150/160/171mm probe L 117/127/138mm insulated probe length 20mm set 3-piece connection male faston 6.3mm ø 2.5mm		



fans

axial fans

import


			
1			
Part No.	601080 ¹	Ref. No.	42300006
description	axial fan L 119mm W 119mm H 38mm 230VAC 50/60Hz 23/20W bearing ball bearing connection male faston 2.8mm metal ADDA fan wheel ø 110mm temp.-resist. 70°C		
accessories for	601080		
	Part No.	550898	Ref. No.
			—
	connecting cable cable length 2000mm connection F 2.8 connection distance 7.9mm for axial flow fan		
	Part No.	692519	Ref. No.
			—
	guard L 120mm W 120mm plastic		

¹with ball bearings

			
1			
Part No.	601130 ¹	Ref. No.	41100009
description	axial fan L 80mm W 80mm H 25mm 230VAC 50/60Hz 13/14W bearing ball bearing connection male faston 2.8mm metal ADDA fan wheel ø 75mm temp.-resist. 70°C airflow 30.6m³/h		
accessories for	601130		
	Part No.	550898	Ref. No.
			—
	connecting cable cable length 2000mm connection F 2.8 connection distance 7.9mm for axial flow fan		


¹with ball bearings

hot air motors

			
1			
Part No.	550757	Ref. No.	002080 43000044
description	counterflange for fan motor ED ø 48mm int. ø 1 24mm int. ø 2 15mm thickness 5mm brass		


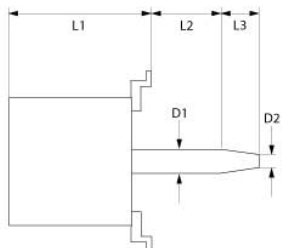


1




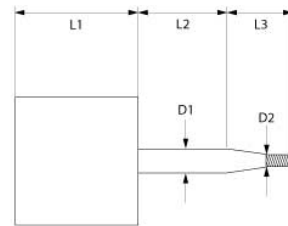
Part No.	550859	Ref. No.	002115 43000047
description	counterflange for fan motor ED ϕ 60mm int. ϕ 1 34mm int. ϕ 2 25mm thickness 6mm brass		

1


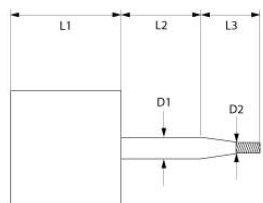
Part No.	601046	Ref. No.	1240004
description	fan motor 220/380V 3 phase 50/60Hz 0.75kW 1350/1650rpm speeds 1 L1 185mm L2 42mm L3 47mm D1 ϕ 24mm D2 ϕ 20mm M12L IT 1.9/3.3A Cos(ϕ) 0.83 at 50Hz 200-240/346-415V at 60Hz 200-277/346-480V at 50Hz 1350rpm at 60Hz 1650rpm type ST80/4 no. 661512		

1


Part No.	601043	Ref. No.	008939 1250015
description	fan motor 220-240V 1 phase 50Hz 0.37/0.07kW 0.1/0.5HP 1400/2700rpm speeds 2 L1 123mm L2 107mm L3 15mm D1 ϕ 15mm D2 ϕ 12mm M10L ET 2/0.7A suitable capacitor 20 μ F/250V at 50Hz 1400/2700rpm type 1057		
accessories for	601043		
	Part No.	Ref. No.	—
	operating capacitor capacity 20 μ F 400V tolerance 5% 50/60Hz ambient temperature max. -25 to +85°C ϕ 39.5mm L 70mm M8 plastic connection male faston 6.3mm 16.10.25. protection		

1


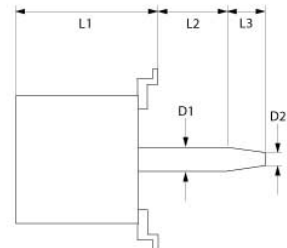
Part No.	601166	Ref. No.	44700005
description	fan motor 220-240V 1 phase 50Hz 0.37kW 2700rpm speeds 1 L1 123mm L2 77mm L3 30mm D1 ϕ 15mm D2 ϕ 12mm M10L ET 2A suitable capacitor 12.5 μ F/450V at 50Hz 2700rpm type 1057.2157		
spare parts for	601166		
	Part No.	Ref. No.	—
	operating capacitor capacity 12.5 μ F 450V tolerance 5%Hz ambient temperature max. -25 to +85°C ϕ 35mm L 70mm M8 plastic connection male faston 6.3mm 45S.C3DS.12.5 protection		
accessories for	601166		
	Part No.	Ref. No.	—
	fan wheel D1 ϕ 160mm H1 60mm blades 15 D2 ϕ 16mm D3 ϕ 16mm H2 29mm		

1



Part No.	602175	Ref. No.	92000040
description	fan motor 230/400V 3 phase 50/60Hz 0.7kW 1400/1700rpm L1 150mm L2 80mm L3 32mm D1 ϕ 18mm D2 ϕ 15mm M8 suitable capacitor 3 μ F400V type 3042P4050		

1

Part No.	499185	Ref. No.	009961 1260008
description	fan motor 380-415V 3 phase 50/60Hz 0.13/0.55kW 700/1350rpm speeds 2 L1 170mm L2 49mm L3 45mm D1 ϕ 24mm D2 ϕ 20mm M12x1.75 4P/8P type FB100L		



1

Part No.	601067	Ref. No.	41100010
description	fan wheel D1 ø 150mm H1 38mm blades 36 D2 ø 6mm D3 ø 6mm H2 14mm		



1

Part No.	601060	Ref. No.	1250014
description	fan wheel D1 ø 180mm H1 60mm blades 16 D2 ø 11mm D3 ø 16mm H2 30mm		



1

Part No.	601064	Ref. No.	44700002
description	fan wheel D1 ø 220mm H1 78mm blades 20 D2 ø 11.5mm D3 ø 16.5mm H2 30mm		



1

Part No.	601224	Ref. No.	1260007
description	fan wheel D1 ø 300mm H1 100mm blades 24 D2 ø 19.5mm D3 ø 23mm H2 46mm		



1

Part No.	601063	Ref. No.	1410004
description	fan wheel D1 ø 350mm H1 100mm blades 24 D2 ø 19.5mm D3 ø 23mm H2 46mm		



1

Part No.	691810	Ref. No.	002067 43000043
description	flange for fan motor ED ø 48mm int. ø 1 19.5mm int. ø 2 15mm thickness 3.5mm brass		



1

Part No.	550858	Ref. No.	002101 43000046
description	flange for fan motor ED ø 60mm int. ø 1 28.5mm int. ø 2 25mm thickness 4mm brass		



1

Part No.	550686	Ref. No.	90200030
description	gasket for fan motor ID ø 12mm ED ø 58mm thickness 1mm with 3 screw holes		



1

Part No.	511171	Ref. No.	43000042
description	shaft seal ID ø 14.5mm ED ø 20mm thickness 3mm		



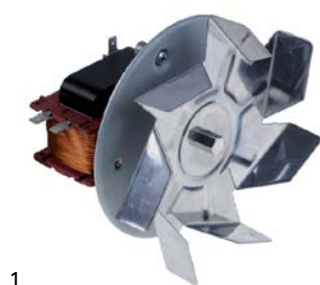
1

Part No.	511172	Ref. No.	43000045
description	shaft sealing ID ø 24mm ED ø 29mm thickness 3mm		

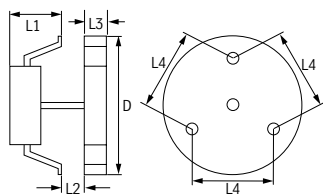




hot air fans

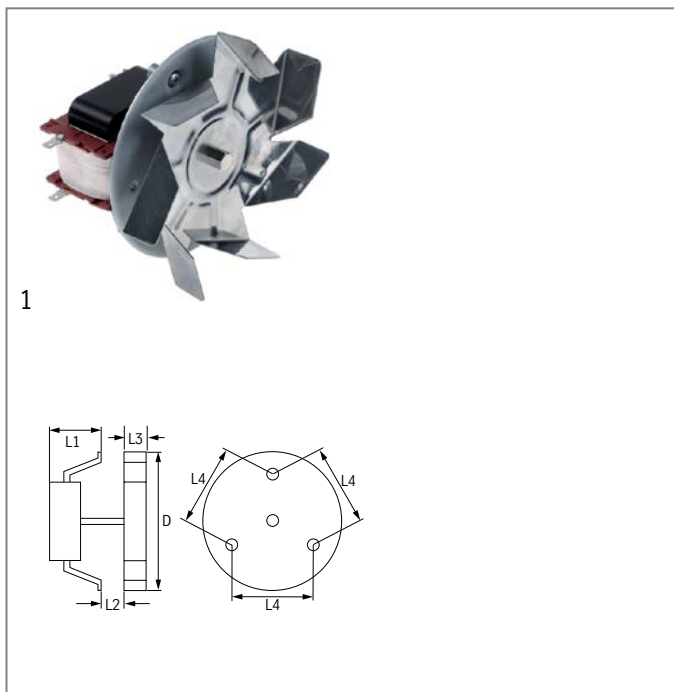
miscellaneous



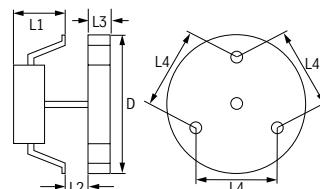
1




Part No.	601011	Ref. No.	1510006
description	hot air fan 220-240V 40W 50/60Hz L1 65mm L2 15mm L3 25mm L4 87mm fan wheel ø 150mm FIME type C25R8023CLH		
accessories for	601011		
	Part No.	550879	Ref. No. —
	insulation ø 130mm thickness 3mm hole ø 18mm for hot air fan		
	Part No.	601260	Ref. No. —
	nut thread M6L IT for hot air fan		



1



Part No.	601125	Ref. No.	1270016
description	hot air fan 220-240V 45W 50/60Hz L1 70mm L2 11mm L3 25mm L4 87mm fan wheel ø 150mm FIME type C30R0479CLF		
accessories for	601125		
	Part No.	550879	Ref. No. —
	insulation ø 130mm thickness 3mm hole ø 18mm for hot air fan		

pumps

drain pumps

ASKOLL



1

Part No.	500565	Ref. No.	1250030
description	drain pump 30W		



condensators & interference suppression filters

operating capacitors

plastic



1

Part No.	365022	Ref. No.	90400011
description	operating capacitor capacity 40µF 400V tolerance 5%Hz ambient temperature max. -25 to +85°C ø 45mm L 95mm M8 plastic connection male faston 6.3mm protection		

electric accessories

cables

earthing cables



1

Part No.	104684	Ref. No.	90200015
description	earthing cable connection F2.8mm / lug M5 cable length 350mm 1.5mm ²		

terminals

porcelain clamps



1

Part No.	550112	Ref. No.	32100015
description	porcelain terminal block 2-pole 2.5mm ² max. 10A max 250V t.max. 200°C L 22mm W 17mm H 15mm mounting distance mm Qty 1 pcs		

gas valves and ignition boxes

gas control valves

SIT

NOVASIT

accessories



1

Part No.	100905	Ref. No.	00131131 43000018
description	locking screw M10x1 for pipe ø 6mm Qty 1 pcs		

SIGMA



1


Part No.	107894	Ref. No.	92100003
description	gas valve type 0848083 230V 50Hz gas inlet 3/4" gas outlet 3/4" pressure range 0.5-12mbar incl reducer 1/2" - 3/4"		




1

Part No.	107498	Ref. No.	43000009
description	gas valve type Sigma 230V 50Hz gas inlet 1/2" gas outlet 1/2" pressure range 2-50mbar		

spare parts for

Part No.	106214	Ref. No.	90200020
	solenoid coil 230V 50Hz Sigma		

accessories for

Part No.	107222	Ref. No.	—
	plug for solenoid valve 3-pole cable length 1070mm		

ignition boxes


HONEYWELL



1

Part No.	101165	Ref. No.	1440006
description	ignition box HONEYWELL type S4560A 1008 equiv. no. S4560A 1008 electrodes 1 waiting time 0s safety time 10s 220-240V 10VA 50Hz		

spare parts for

Part No.	358696	Ref. No.	—
	fine fuse size ø5x20mm 4A medium lag rated 250V Qty 10 pcs		



Honeywell



1

Part No.	102367	Ref. No.	43000031
description	ignition box HONEYWELL type S4565A 2092 1 electrodes 3 waiting times safety time 10s 220-240V 4VA 50/60Hz		

SIT



1

Part No.	102309	Ref. No.	43000008
description	ignition box SIT type 537ABC electrodes 3 waiting time 1.5s safety time 10s 230V 10VA 50-60Hz protection IP44		

ignition parts






pilot burners

SIT

100 series



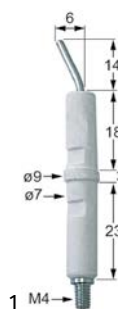
1

Part No.	106906	Ref. No.	00106039
description	pilot burner SIT type 100 series 3 flames nozzle \varnothing 0.2mm gas connection 6mm		
spare parts for	106906		
	Part No.	100245	Ref. No. —
	pilot burner nozzle LPG code 20 bore \varnothing 0.2mm Qty 1 pcs thread M8x0.75		
	Part No.	100855	Ref. No. —
	pilot burner bracket triple		
	Part No.	100885	Ref. No. —
	air mixing sleeve for pilot burner Qty 1 pcs		
	Part No.	100916	Ref. No. —
	compression spring for pilot burner Qty 1 pcs		
	Part No.	100917	Ref. No. —
	gasket for pilot burner Qty 1 pcs aluminium		

spare parts for	106906		
	Part No.	100918	Ref. No. —
	screw for pilot burner		
	Part No.	107162	Ref. No. —
	pilot burner cap SIT 3 flames Hmm Lmm Qty 1 pcs		
	Part No.	107701	Ref. No. —
	pilot burner bottom part SIT 100 series nozzle \varnothing 0.2mm		
accessories for	106906		
	Part No.	100245	Ref. No. —
	pilot burner nozzle LPG code 20 bore \varnothing 0.2mm Qty 1 pcs thread M8x0.75		
	Part No.	100246	Ref. No. —
	pilot burner nozzle natural gas bore \varnothing 0.35mm Qty 1 pcs thread M8x0.75		
	Part No.	100904	Ref. No. —
	locking screw M10x1 for pipe \varnothing 4mm Qty 1 pcs		
	Part No.	100905	Ref. No. 00131131 43000018
	locking screw M10x1 for pipe \varnothing 6mm Qty 1 pcs		
	Part No.	102110	Ref. No. —
	pilot tube copper pipe \varnothing 4mm thickness 1mm L 3000mm		
	Part No.	102111	Ref. No. —
	pilot tube copper pipe \varnothing 6mm thickness 1mm L 3000mm		
	Part No.	107171	Ref. No. —
	pilot burner nozzle SIT natural/liquid gas bore \varnothing 0.25mm Qty 1 pcs		
	Part No.	107700	Ref. No. —
	pilot burner bottom part SIT 100 series nozzle \varnothing 0.25mm		
	Part No.	107702	Ref. No. —
	pilot burner bottom part SIT 100 series nozzle \varnothing 0.35mm		

accessories

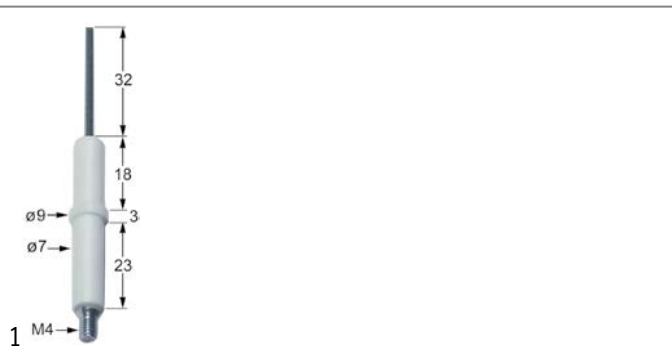
ignition electrodes




Part No.	100706	Ref. No.	40100008
description	ignition electrode connection M4 Qty 1 pcs		



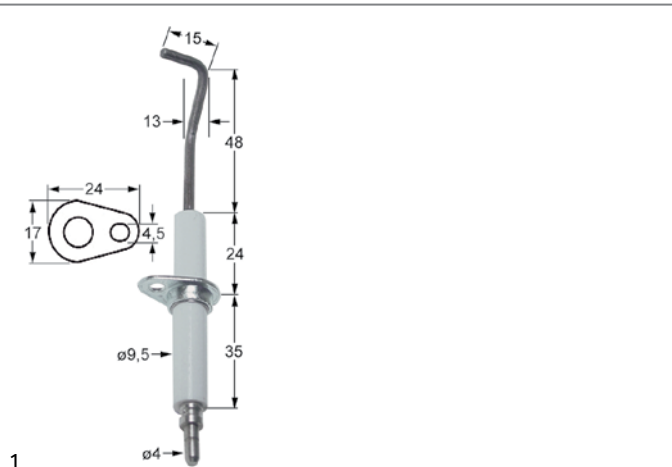
electrodes



Part No.	100701	Ref. No.	00142187
description	ignition electrode connection M4 Qty 1 pcs		
accessories for	100701		
	Part No.	100906	Ref. No. —
	screw connection thread M10x1 for ignition electrode brass Qty 1 pcs WS 10		



Part No.	100706	Ref. No.	40100008
description	ignition electrode connection M4 Qty 1 pcs		



Part No.	102342	Ref. No.	43000026
description	ignition electrode flange length 24mm flange width 17mm D1 ø 9.5mm L1 48mm L2 13mm L3 15mm BL1 24mm BL2 35mm fixing dimensions ø4.5mm with flange connection ø 4mm		




Part No.	104799	Ref. No.	92900003
description	ignition electrode flange length 56mm flange width 22mm D1 ø 9x62mm D2 ø 9x62mm L1 130mm L2 140mm		





Part No.	103287	Ref. No.	92100002
description	ignition electrode kit flange length 56mm flange width 22mm D1 ø 3mm D2 ø 9.5mm mounting distance 47mm		


ignition cables

pre-assembled cables

	Part No.	102180	Ref. No.	00106042
description	ignition cable cable length 1200mm connection ø2.4mm / ø2.4mm			

	Part No.	102187	Ref. No.	90200014
description	ignition cable cable length 300mm connection ø4mm / F2.8mm			

	Part No.	102162	Ref. No.	91100002
description	ignition cable cable length 400mm connection F2.8mm / F6.3mm			

	Part No.	100025	Ref. No.	40100009
description	ignition cable cable length 600mm connection ø4mm / F6.3mm			

2 gas components



ignition units



1	Part No.	103334	Ref. No.	90200013
	description	ignition unit outputs 2 220-240VAC dimensions 83x42x32mm mounting distance 34mm inlet F2.8 outlet F2.8 type TSM 17VA 50/60Hz		



1	Part No.	101002	Ref. No.	1430008
	description	ignition unit outputs 2 230VAC dimensions 88x23x34mm mounting distance 73mm inlet F6.3x0.8 outlet F2.8x0.8 0.6VA 50/60Hz		

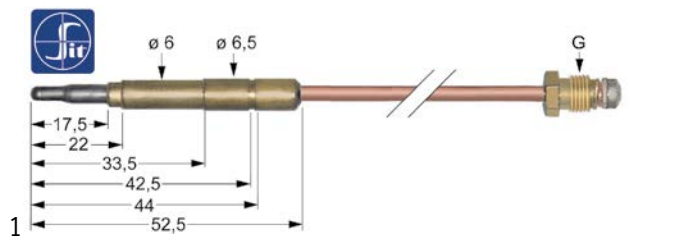
thermocouples

plug-in thermocouples

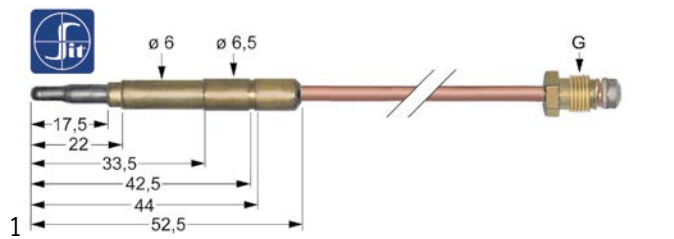
plug-in thermocouples standard

with barrel socket $\varnothing 6(6.5)$ mm

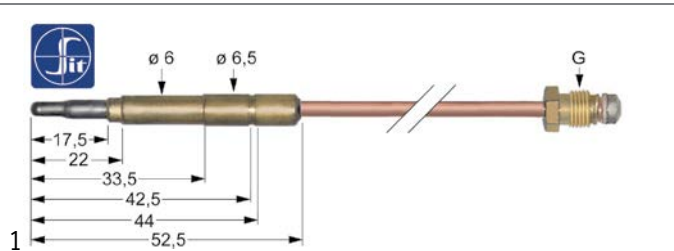
thermocouples SIT



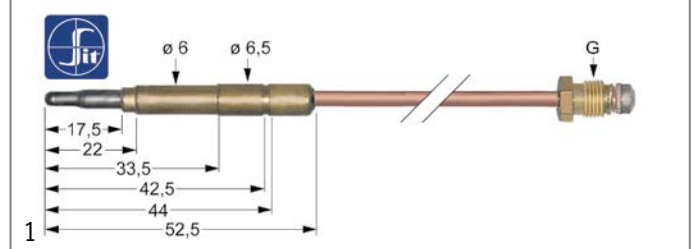
1	Part No.	107615	Ref. No.	24204026
	description	thermocouple SIT M10x1 L 320mm plug connection $\varnothing 6.0(6.5)$ mm		



1	Part No.	107600	Ref. No.	00100095
	description	thermocouple SIT M8x1 L 320mm plug connection $\varnothing 6.0(6.5)$ mm		

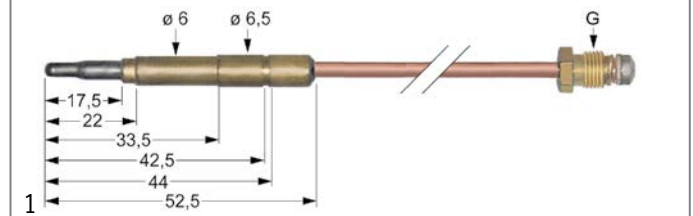


1	Part No.	107612	Ref. No.	00106040
	description	thermocouple SIT M9x1 L 1000mm plug connection $\varnothing 6.0(6.5)$ mm		

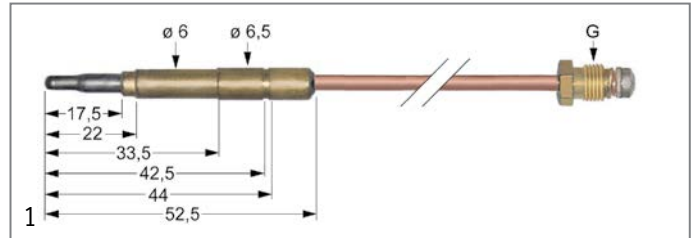


1	Part No.	107613	Ref. No.	25100058
	description	thermocouple SIT M9x1 L 1200mm plug connection $\varnothing 6.0(6.5)$ mm		

thermocouples with aluminised tip

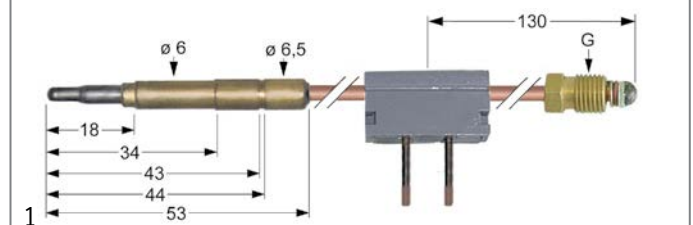


1	Part No.	102037	Ref. No.	50100032
	description	thermocouple M8x1 L 1200mm plug connection $\varnothing 6.0(6.5)$ mm		



1	Part No.	102038	Ref. No.	51600020
	description	thermocouple M8x1 L 1500mm plug connection $\varnothing 6.0(6.5)$ mm		

plug-in thermocouples with interruption



1	Part No.	102069	Ref. No.	09500065
	description	thermocouple with interrupter M9x1 L 600mm plug connection $\varnothing 6.0$ mm soldering connection		

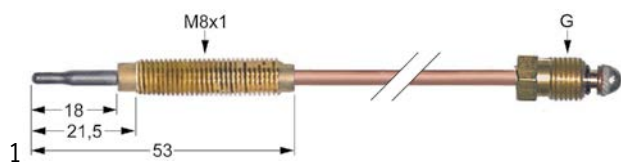


threaded thermocouples

threaded thermocouples standard

with socket with thread M8x1

type Junkers with aluminised tip



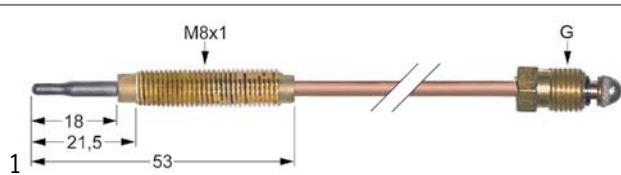
Part No. 102058 **Ref. No.** 04700019

description thermocouple M8x1 L 1000mm M8x1

accessories for 102058



Part No. 102067 **Ref. No.** —
nut thread M8x1 H 3mm brass Qty 1 pcs type SEF 1



Part No. 102057 **Ref. No.** 04700018

description thermocouple M8x1 L 850mm M8x1

accessories for 102057



Part No. 102067 **Ref. No.** —
nut thread M8x1 H 3mm brass Qty 1 pcs type SEF 1

gas burners

bar burners

bar burners



Part No. 105788 **Ref. No.** 1440002

description bar burner 1-row \varnothing 50mm Wmm Hmm L 483mm flange width 71mm convection oven flange \varnothing 75mm



Part No. 105787 **Ref. No.** 1430003

description bar burner \varnothing 40mm Wmm Hmm L 415mm flange width 43mm flange length 43mm convection oven



1

Part No. 105790 **Ref. No.** 008017
1430002

description bar burner \varnothing 50mm Wmm Hmm L 325mm flange width 57mm flange length 57mm convection oven



1

Part No. 105789 **Ref. No.** 1450001

description bar burner \varnothing 50mm Wmm Hmm L 618mm flange width 71mm convection oven flange \varnothing 75mm

gas nozzles

main nozzles

gas nozzles M8x1



1

Part No. 104737 **Ref. No.** 90200025

description gas injector thread M8x1 WS 10 bore \varnothing 0.5mm

pilot burner nozzles

pilot burner nozzle AB



1

Part No. 100201 **Ref. No.** 00142185

description pilot burner nozzle PRO-GAS LPG code 30 Qty 1 pcs nozzle \varnothing 0.3mm

pilot burner nozzles POLIDORO




1


Part No. 100000 **Ref. No.** 40900003

description pilot burner nozzle POLIDORO LPG code 22 bore \varnothing 0.22mm Qty 1 pcs








 <p>1</p>			
Part No.	104486	Ref. No.	40900006
description	pilot burner nozzle POLIDORO natural gas code 29.2 bore ø 2x0.29mm Qty 1 pcs		

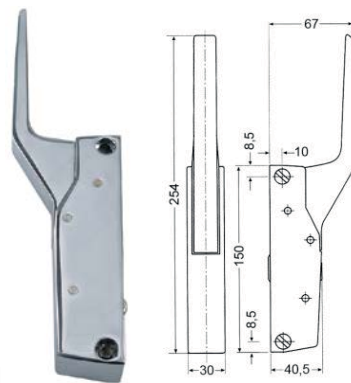


screw connections



<p>union screws</p>  <p>1</p>			
Part No.	100905	Ref. No.	00131131 43000018
description	locking screw M10x1 for pipe ø 6mm Qty 1 pcs		

<p>drain valves</p>  <p>1</p>			
Part No.	696788	Ref. No.	91200011
description	drain pipe thread 1 1/2" IT T-piece plastic ID ø 37mm ED ø 40mm for combi-steamer		

<p>door mechanics</p> <p>locking mechanism</p>  <p>1</p>				
Part No.	698503	Ref. No.	92800011	
description	espagnolette lock complete			
accessories for	698503			
	Part No.	690041	Ref. No.	—
	cam L 148mm mounting distance 32mm			
	Part No.	694409	Ref. No.	—
	mounting set for espagnolette lock 694382			
	Part No.	700604	Ref. No.	1260017
	latch gear opening to the right shaft intake ø 8x8mm L 170mm W 40mm H 40mm			

<p>for ovens</p> <p>miscellaneous</p>  <p>1</p>			
Part No.	698478	Ref. No.	92800013
description	coupling for oven for door L 80mm W 26mm intake 7.8 x 7.8		

<p>locks</p> <p>edgemount latches</p> <p>handle latches</p> <p>CAFF/FERMOD</p>  <p>1</p>				
Part No.	700060	Ref. No.	1250056	
description	handle latch L 150mm mounting distance 133mm non lockable heated units G 791			
accessories for	700060			
	Part No.	700061	Ref. No.	1250046
	door catch L 58mm W 20mm H 35mm mounting distance 42mm chrome-plated brass for headed units			
	Part No.	700062	Ref. No.	—
	handle protection heated units			

<p>door catches</p>  <p>1</p>				
Part No.	700061	Ref. No.	1250046	
description	door catch L 58mm W 20mm H 35mm mounting distance 42mm chrome-plated brass for headed units			
accessories for	700061			
	Part No.	690414	Ref. No.	—
	handle latch L 150mm mounting distance 133mm non lockable refrigeration units G 791			

gas components



snap locks

universal



1	Part No. 690903	Ref. No. 1270034
description snap lock L 69mm W 13mm H 20mm mounting distance 57mm complete with door catch nickel-plated brass		

espagnolette locks

universal



1	Part No. 700604	Ref. No. 1260017
description latch gear opening to the right shaft intake ø 8x8mm L 170mm W 40mm H 40mm		

hinges

door bearing



1	Part No. 514310	Ref. No. 009400 1250066
description hinge bearing mounting pos. bottom left without bolt		



1	Part No. 514309	Ref. No. 009413 1250067
description hinge bearing mounting pos. upper left without bolt		



1	Part No. 514312	Ref. No. 001988 43000034
description hinge bearing mounting pos. upper left without bolt		

shelves and shelf rails

grates

universal

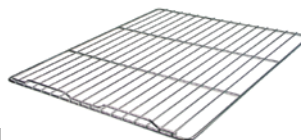
without upstand



1	Part No. 970120	Ref. No. 4100029
description grate W 325mm D 530mm GN 1/1 chrome-plated steel wire gauge frame 7mm lengthwise wires gauge 4mm crossing wires 1		

accessories for 970120	Part No. 690330	Ref. No. —
rack L 1000mm W 22mm H 4mm aperture 3x8mm hole distance 12.5mm stainless steel		
	Part No. 694700	Ref. No. —
shelf support L 31/28mm W 22mm H 18mm SS Qty 12 pcs		
	Part No. 694701	Ref. No. —
shelf support L 31/28mm W 22mm H 17mm SS with hook Qty 12 pcs		

with upstand



1	Part No. 970527	Ref. No. 00100115
description grate W 530mm D 650mm GN 2/1 chrome-plated steel with hinge camp crossing wires 2 suitable for refrigerator		

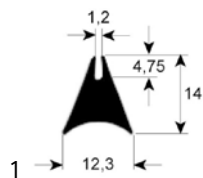
accessories for 970527	Part No. 690330	Ref. No. —
rack L 1000mm W 22mm H 4mm aperture 3x8mm hole distance 12.5mm stainless steel		
	Part No. 694700	Ref. No. —
shelf support L 31/28mm W 22mm H 18mm SS Qty 12 pcs		
	Part No. 694701	Ref. No. —
shelf support L 31/28mm W 22mm H 17mm SS with hook Qty 12 pcs		



gaskets

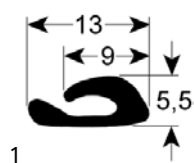
gaskets for heated units

window seals



Part No.	900058	Ref. No.	009293 1240011 1250054
-----------------	--------	-----------------	------------------------------

description window gasket profile 1620 Qty supplied by meter



Part No.	900470	Ref. No.	007609 42300002
-----------------	--------	-----------------	--------------------

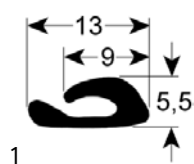
description window gasket profile 1880 L 520mm Qty 1

accessories for 900470



Part No.	900471	Ref. No.	—
-----------------	--------	-----------------	---

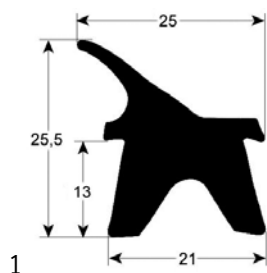
window gasket profile 1880 L 680mm Qty 1



Part No.	900882	Ref. No.	007620 42300003
-----------------	--------	-----------------	--------------------

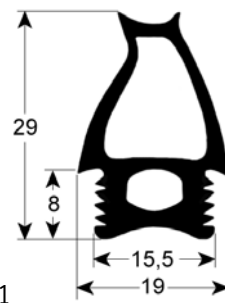
description window gasket profile 1880 Qty supplied by meter

door seals



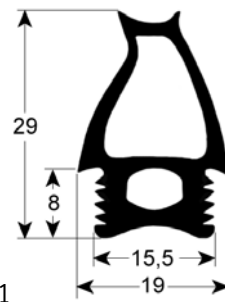
Part No.	900348	Ref. No.	1240012
-----------------	--------	-----------------	---------

description door seal profile 2402 Qty supplied by meter



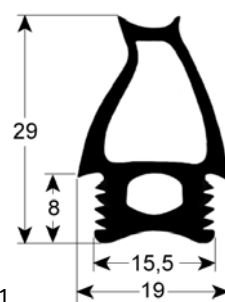
Part No.	901624	Ref. No.	92600002
-----------------	--------	-----------------	----------

description door seal profile 2781 W 475mm L 1410mm external size suitable for ANGELO PO



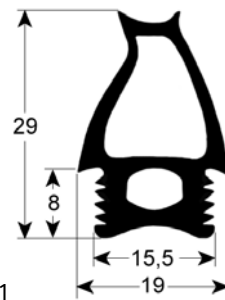
Part No.	901622	Ref. No.	92000022
-----------------	--------	-----------------	----------

description door seal profile 2781 W 475mm L 475mm external size suitable for ANGELO PO



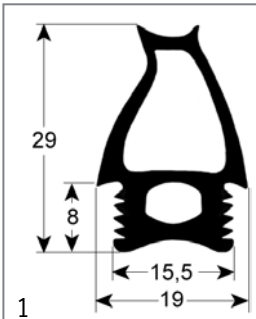
Part No.	901623	Ref. No.	92200002
-----------------	--------	-----------------	----------

description door seal profile 2781 W 475mm L 725mm external size suitable for ANGELO PO



Part No.	901627	Ref. No.	92800001
-----------------	--------	-----------------	----------

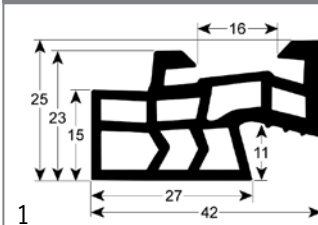
description door seal profile 2781 W 688mm L 1410mm external size suitable for ANGELO PO



1

Part No.	901626	Ref. No.	92800010
description	door seal profile 2781 W 688mm L 886mm external size suitable for ANGELO PO		

gaskets for tray rack trolleys




1

Part No.	902520	Ref. No.	92600004
description	tray rack trolley gasket profile 4140 L 515mm Qty 1		

sealing washers

silicone gaskets




1

Part No.	359721	Ref. No.	1230008
description	gasket silicone ED ø 48mm ID ø 39.5mm thickness 5mm Qty 1 pcs		


shaft gaskets

shaft gaskets



1


Part No.	511171	Ref. No.	43000042
description	shaft seal ID ø 14.5mm ED ø 20mm thickness 3mm		



1

Part No.	511172	Ref. No.	43000045
description	shaft sealing ID ø 24mm ED ø 29mm thickness 3mm		

manometers




1




Part No.	541508	Ref. No.	90200028
description	manometer ø 40mm pressure range 0-4bar connection thread 1/8"		

hose reels and spray guns

spray guns




1

Part No.	691048	Ref. No.	1270003R	
description	spray gun for appliances 1/2" ET L 225mm type STAR			
spare parts for	691048			
	Part No.	507309	Ref. No.	—
		O-ring EPDM thickness 2.62mm ID ø 17.13mm Qty 1 pcs		
	Part No.	510322	Ref. No.	—
		O-ring EPDM thickness 1.78mm ID ø 17.17mm Qty 1 pcs		
	Part No.	524055	Ref. No.	—
		flat gasket rubber ED ø 18mm ID ø 12mm thickness 2mm Qty 1 pcs		
	Part No.	528485	Ref. No.	—
		O-ring EPDM thickness 1.78mm ID ø 6.07mm Qty 1 pcs		
	Part No.	528494	Ref. No.	—
		gasket rubber ED ø 13mm ID ø 4mm thickness 4mm Qty 1 pcs		

valves and tank inlets

ball valves

ball valves electric



1

Part No.	401233	Ref. No.	43000004
description	ball valve inlet 1/2" IT outlet 1/2" IT 230V 50/60Hz mode of operation electric W 60mm H 99mm cable 4-pole 2.5W 4-pole duty cycle 50%		



measuring equipment

thermometers

built-in thermometers

ø52mm



Part No.	541077	Ref. No.	1230022
description	thermometer mounting ø 52mm t.max. 350°C +50 up to +350°C probe ø 6mm probe L 30mm capillary pipe 1000mm built-in depth 28mm		

fastening material

screws

hexagonal screws



Part No.	506445	Ref. No.	91900007
description	hexagonal screw thread M10 thread L 35mm SS WS 17 Qty 1 pcs DIN 933 / ISO 4017		

nuts

hexagonal nuts

hexagonal nuts metric (without norm)



Part No.	520230	Ref. No.	00112127 010106
description	nut thread M14x1.5 H 5mm WS 19 zinc-coated steel Qty 1 pcs		

fasteners

roll pins



Part No.	691637	Ref. No.	1260021
description	roll pin ø 3mm L 20mm		

GASTROPARTS.COM



© 2020 Gastroparts Sp. J. All rights reserved.