



GASTROPARTS

Lotus Ovens

[EN] Cooking

[DE] Kochtechnik

[ES] Cocción

[FR] Cuisson

[IT] Cottura

[PL] Obróbka termiczna

[RU] Термическая обработка

✉ gastroparts@gastroparts.com

☎ tel. +48 56 657 00 66

📘 fb.com/gastroparts.global




GASTROPARTS.COM








heating elements

heating elements for convection

			
1			
Part No.	415117	Ref. No.	537010500
description	heating element 2500W 220V heating circuits 1 ID ø 175mm ED ø 195mm L 245mm H 55mm L1 50mm W1 30mm H1 25mm H2 10mm flange length 70mm flange width 22mm hole distance 56mm connection male faston 6.3mm horizontal tube ø 6.5mm convection heating element hole ø 5mm rectangular flange		
spare parts for	415117		
	Part No.	510368	Ref. No. —
	gasket L 70mm W 23.5mm hole ø 5mm hole distance 56mm FIBER thickness 2mm for heating element		
accessories for	415117		
	Part No.	510426	Ref. No. —
	gasket L 72mm W 20mm hole distance 56mm silicone thickness 2mm for heating element		

			
1			
Part No.	418019	Ref. No.	C3616-00
description	heating element 3900W 230V heating circuits 3 ID ø 206mm ED ø 218mm L 275mm H 40mm L1 48mm W1 104mm H1 10mm H2 24mm flange length 142mm flange width 25mm hole distance 62.5mm connection M4 connection length 62mm tube ø 6mm convection heating element hole ø 6.5mm rectangular flange		

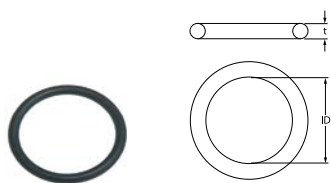
			
1			
Part No.	418020	Ref. No.	RRC3090-00
description	heating element 7800W 230V heating circuits 3 ID ø 264mm ED ø 277mm L 315mm H 100mm L1 35mm W1 101mm H1 29mm H2 67mm flange length 142mm flange width 23mm hole distance 63mm connection M4 connection length 75mm tube ø 6.3mm convection heating element mounting thread M4 rectangular flange		

			
1			
Part No.	418905	Ref. No.	C9013-00 LC-002
description	heating element 8000W 230V heating circuits 3 ID ø 302mm ED ø 319mm L 370mm H 60mm L1 54mm W1 104mm H1 22mm H2 38mm flange length 142mm flange width 25mm hole distance 63mm connection M4 connection length 58mm tube ø 8.5mm convection heating element		

accessories

sealing washers


O-rings

			
1			
Part No.	510408	Ref. No.	10500100
description	O-ring EPDM thickness 5.34mm ID ø 47mm Qty 1 pcs		

energy regulators

EGO

1-circuit

			
1			
Part No.	380015	Ref. No.	07931 537013300 537020100 C2192-00
description	energy regulator 230V 13A single-circuit turn direction right shaft ø 6x4.6mm shaft L 23mm mounting thread M4 power release 6-100% no. 50.57021.010		
For models:	CFC4-8ET, CFC-62EM, CFC-62ET, CFMC4-66ET, CWK-74ET, CWK-78ET, CWK-94ET, CWK-98ET, CWKT-64ET, CWKT-68ET, CWKT-74ET, CWKT-78ET, CWKT-94ET, CWKT-98ET, FTC-4EM, FTC-4EMX, FTC-61EM, FTC-61ET, FTC-62EM, FTC-62ET, FTC-6EM, FTC-6EMX, FTC-6ET, FTC-74ET, FTC-78ET, FTC-8EMX, FTC-8ET, FTC-94ET, FTC-98ET, FTCD-64EM, FTCD-66ET, FTCT-64ET, FTCT-66ET, FTCT-74ET, FTCT-78ET, FTCT-94ET, FTCT-98ET, PCC-4EM, PCC-4EMX, PCC-4ET, PCC-61EM, PCC-62EM, PCC-62ET, PCC-6EM, PCC-6EMX, PCC-6ET, PCC-8EMX, PCC-8ET, PC CT-63ET, SA-400EM...(Other models you can see in the webshop)		



thermostats

control and safety thermostats

EGO

control thermostats

55.10/19_ series



Part No.	375247	Ref. No.	TERMO001
description	thermostat t.max. 500°C temperature range 75-500°C 1-pole 1NO 16A probe ø 4mm probe L 228mm capillary pipe 900mm capillary pipe isolatedmm gland nut shaft ø 6x4.6mm shaft L 23mm shaft position upper rotation 270°		



Part No.	375231	Ref. No.	537001500
description	thermostat t.max. 90°C temperature range 30-90°C 1-pole 1NO 16A probe ø 6mm probe L 130mm capillary pipe 900mm capillary pipe isolated 600mm gland nut M9x1 shaft L 18mm shaft position upper rotation 270°		
For models:	BM-10EM, BM-4EM, BM-61EM, BM-62EM, BM-62ET, BM-6EM, BM-74EM, BM-74ET, BM-78EM, BM-78ET, BM-8EM, BM-94EM, BM-98EM, BMD-64EM, BMD-84EM, BMT-63EM, BMT-64EM, BMT-66EM, BMT-74EM, BMT-78EM, BMT-94EM, BMT-98EM, BS-4EM, BS-4EMX, BS-61EM, BS-62EM, BS-74EM, BS-94EM, BSD-64EM, BST-64EM, BST-74EM, BST-94EM, CP-61EM, CP-62ET, MP-62, MP-62EM, SV-11, SV-113, SV-12, SV-123, SV-13, SV-23		

55.13_ series



Part No.	375954	Ref. No.	C2218-00 RRC2218-00
description	thermostat t.max. 109°C 1-pole 1CO 16A probe ø 3.03mm probe L 198mm capillary pipe 900mm capillary pipe isolated 610mm gland nut M9x1 shaft ømm shaft Lmm shaft position° shaft position rotation		
For models:	RDA-5E, RDA-5EM		



Part No.	375505	Ref. No.	537006100
description	thermostat t.max. 320°C temperature range 50-320°C 1-pole 1NO 16A probe ø 3mm probe L 160mm capillary pipe 870mm capillary pipe isolatedmm gland nut shaft ø 6x4.6mm shaft L 23mm shaft position upper rotation 270°		
For models:	CF-10EM, CF-10EM-6, CF-10EM-A, CF-10ET, CF-10ET-6, CF-10ET-A, CF-10GEM, CF-10GEM-6, CF-10GEM6-A, CF-10GEM-A, CF-4-8ETS, CF-4-GEMS, CF-62EM, CF-62EM-A, CF-62ET, CF-62ET-A, CF-62GEM, CF-62GEM-A, CF-8EM, CF-8EM-A, CF-8ET, CF-8ET-A, CF-8GEM, CF-8GEM-A, CFC-62EM, CFC-62ET		

55.34_ series



Part No.	375143	Ref. No.	537012300
description	thermostat t.max. 110°C temperature range 32-110°C 3-pole 3NO 16A probe ø 6mm probe L 138mm capillary pipe 1480mm capillary pipe isolated 1100mm gland nut M9x1 shaft ø 6x4.6mm shaft L 23mm shaft position upper rotation 270°		
For models:	BM-10EMX, BM-4EMX, BM-6EMX, BM-8EMX, CP-4ET, CP-4ETX, CP-62ET, CP-6ET, CP-6ETX, CP-74ET, CP-74ETX, CP-78ET, CP-78ETX, CP-94ET, CP-94ETX, CP-98ET, CP-98ETX, CPD-64ET		

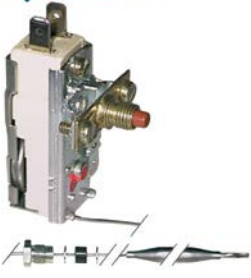


Part No.	375412	Ref. No.	537013500
description	thermostat t.max. 320°C temperature range 50-320°C 3-pole 3NO 16A probe ø 3.1mm probe L 226mm capillary pipe 1480mm capillary pipe isolated 1400mm gland nut shaft ø 6x4.6mm shaft L 23mm shaft position upper rotation 318°		
For models:	FTC-4EM, FTC-4EMX, FTC-4ET, FTC-61EM, FTC-61ET, FTC-62EM, FTC-62ET, FTC-6EM, FTC-6EMX, FTC-6ET, FTC-8EMX, FTC-8ET		



safety thermostats

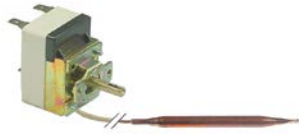
55.14_ series



Part No.	375610	Ref. No.	C2198-00
description	safety thermostat switch-off temp. 340°C 1-pole 16A probe ø 3.03mm probe L 144mm capillary pipe 880mm capillary pipe isolated 750mm gland nut M9x1 probe		

CAEM

control thermostats



Part No.	375609	Ref. No.	C2185-00
description	thermostat t.max. 90°C temperature range 30-90°C 1-pole 1CO 16A probe ø 6mm probe L 95mm capillary pipe 1600mm capillary pipe isolated 1550mm shaft ø 6x4.6mm rotation 270°		



accessories

gland nut accessories

bolts with slot



Part No.	520243	Ref. No.	533008600
description	bolt with slot thread M9x1 Qty 10 pcs nickel-plated brass		
For models:	BM-74EM, BM-74ET, BM-78EM, BM-78ET, BS-74EM, BSD-64EM, CP-6G, F11-54G, F13-64G, F13-74G, F13T-74G, F13T-94G, F18-74G, F18-94G, F2-13-78G, F2-13T-78G, F2-13T-98G, F2-18-78G, F2-18-98G, F2-25-98G, F25-94G, F2-8-74G, F2-8-94G, F2-8T-66G, F2-8T-74G, F2-8T-94G, F45-78G, F8T-63G, FP-6G, FQ-4G, FQ-6G, FQM-4G, SV-11, SV-113, SV-12, SV-123, SV-13, SV-23		

accessories for	520243		
	Part No.	510591	Ref. No. —
		washer with slot ED ø 8.8mm slit width 1.2mm Qty 10	
	Part No.	510592	Ref. No. —
		gasket ø 8x8.7mm Qty 10 pcs slotted silicone	

connecting bows



Part No.	550060	Ref. No.	537001200
description	connecting bow long for thermostat Qty 1 pcs		
For models:	BM-10EM, BM-10EMX, BM-4EM, BM-4EMX, BM-61EM, BM-62EM, BM-62ET, BM-6EM, BM-6EMX, BM-74EM, BM-74ET, BM-78EM, BM-78ET, BM-8EM, BM-8EMX, BM-94EM, BM-98EM, BMD-64EM, BMD-84EM, BMT-63EM, BMT-64EM, BMT-66EM, BMT-74EM, BMT-78EM, BMT-94EM, BMT-98EM, BR-62ET, BR-6ET, BR-6ETX, BRF-64ET, BRF-74ET, BRF-78ET, BRF-94ET, BRF-98ET, BRFD-64ET, BRT-66ET, BRT-66ETX, BS-4EM, BS-4EMX, BS-61EM, BS-62EM, BS-74EM, BS-94EM, BSD-64EM, BST-64EM, BST-74EM, BST-94EM, CF4-78ET, CF4-78G, CF4-98ET...(Other models you can see in the webshop)		

switches and momentary switches
rocker/momentary rocker switches


30x22mm



Part No.	345188	Ref. No.	537015500
description	rocker switch mounting measurements 30x22mm red 2NO 250V 16A illuminated lighting connection male faston 6.3mm ambient temperature max. 150°C protection IP40		
For models:	CF-10EM, CF-10EM-6, CF-10EM-A, CF-10ET, CF-10ET-6, CF-10ET-A, CF-10G6-A, CF-10G-6F, CF-10G-A, CF-10GEM, CF-10GEM-6, CF-10GEM6-A, CF-10GEM-A, CF-10GF, CF4-8ETS, CF4-8G, CF4-8GEM, CF4-GEMS, CF-8EM, CF-8EM-A, CF-8ET, CF-8ET-A, CF-8G-A, CF-8GEM, CF-8GEM-A, CF-8GF		

blank




Part No.	345982	Ref. No.	537001700
description	rocker switch mounting measurements 30x22mm green 2CO 250V 16A illuminated connection male faston 6.3mm ambient temperature max. 125/55°C protection IP65 with cover cap		
For models:	BS-74EM, BS-94EM, BSD-64EM, BST-64EM, BST-74EM, BST-94EM, CF-10G6-A, CF-10G-6F, CF-10G-A, CF-10GF, CF4-68G, CF4-8G, CF6-610G, CF-8G-A, CF-8GF, IP-EM, K-10, K-10S, K-12, K-12S, K-14, K-14S, K-15, K-15S, K-16, K-16S, K-18, K-18S, K-20, K-20S, K-22, K-22S, K-24, K-24S, K-26, K-26S, K-28, K-28S, K-30, K-30S, K-6, K-6S, K-8, K-8S, K-9, K-9S, KE-10, KE-10S, KE-12, KE-12S...(Other models you can see in the webshop)		
accessories for	345982		
	Part No.	301036	Ref. No. —
		protective cover internal size 30x22mm for rocker switch mounting measurementsmm	



push/momentary push switches

ø25mm




1

Part No.	346094	Ref. No.	C8252-00
description	push switch mounting ø 25mm orange 2NO/indicator light 250V 16A with rubber collar connection male faston 6.3mm ambient temperature max. 85°C protection IP65		


microswitches

lever actuated



1

Part No.	346861	Ref. No.	814490182
description	microswitch with double lever 250V 16A 2CO connection male faston 6.3mm L 82mm ambient temperature max. 125°C mounting distance 22mm type AH2AF actuating force: 80g		




1

Part No.	345044	Ref. No.	40100007
description	microswitch with lever 250V 16A 1CO connection male faston 6.3mm ambient temperature max. 85°C mounting distance 25mm type C99ZP3 actuating force: 25g lever length 71mm		

pin-plunger actuated

M10



1

Part No.	345032	Ref. No.	537011500
description	microswitch with plunger thread M10x1 thread L 12mm 250V 16A 1CO connection male faston 6.3mm stroke 7mm mounting distance 22mm L 28mm ambient temperature max. 125°C type SP9603 actuating force: 180g		
For models:	F10D-64ET, F10D-64ETX, F10T-63EM, F10T-63ET, F10T-63ETX, F13-64EM, F13-64ET, F13-74ET, F13-74ETX, F13T-74E, F13T-74ET, F13T-74ETX, F13T-94ET, F18-74ET, F18-74ETX, F18-94ET, F18-94ETX, F18D-64ET, F2-10D-66ET, F2-10D-66ETX, F2-10T-66EM, F2-10T-66ET, F2-10T-66ETX, F2-13-78ET, F2-13-78ETX, F2-13-98ET, F2-13T-78E, F2-13T-78ET, F2-18-74ET, F2-18-74ETX, F2-18-78ET, F2-18-78ETX, F2-18-98ET, F2-18-98ETX, F2-25-98ET, F2-25-98ETX, F25-94ET, F25-94ETX, F2-8-74ET, F2-8-94ET, F2-8D-64ET, F2-8T-74ET, F2-8T-74ETX, F2-8T-94ET, F45-78ET, FP-62ET, FP-62ETL, FP-6ET, FQ-4EM, FQ-4ET... (Other models you can see in the webshop)		

cam switches


7-position



1

Part No.	300106	Ref. No.	537027700
description	cam switch 7 operating positions 1NO/2CO sequence 0-1-2-3-4-5-6 32A shaft ø 6x4.6mm shaft L 23mm connection screw 7-position shaft flat upper		
For models:	CF4-98ET, CF4-98ETX, CF6-912ET, CF6-912ETV, CF6-912ETVX, CF8-916ET, CF8-916ETV, CFQ4-98ET, CFQ4-98ETX, CFQ6-912ET, CFQ6-912ETV, CFQ6-912ETVX, CFQ8-916ET, CFQ8-916ETV, CFQ9-916ET, CFV4-98ET, CFV6-912ET, CFV6-912ETV, CFVQ4-98ET, CFVQ6-912ET, CFVQ6-912ETV, PC-912ET, PC-912ETX, PC-916ET, PC-916ETX, PC-94ET, PC-94ETX, PC-98ET, PC-98ETX, PCQ-912ET, PCQ-916ET, PCQ-94ET, PCQ-98ET, PCQD-84ET, PCQD-88ET, PCQD-912ET, PCQT-916ET, PCQT-94ET, PCQT-94ETX, PCQT-98ET, PCQT-98ETX, PCT-912ET, PCT-912ETX, PCT-916ET, PCT-916ETX, PCT-94ET, PCT-94ETX, PCT-98ET, PCT-98ETX		


5 operating positions



1

Part No.	301297	Ref. No.	C8160-00
description	cam switch 5 operating positions 1-0-2-3-4 sequence 8NO 16A shaft ø 6x4.6mm shaft L 23mm connection male faston 6.3mm plastic		

10 operating positions




1

Part No.	301205	Ref. No.	312002 537019201
description	cam switch 10 operating positions 5NO/1CO sequence 0-1-2-3-4-5-6-7-8-9 16A shaft ø 6x4.6mm shaft L 23mm connection male faston 6.3mm ceramic		
For models:	CF4-8ET, CF4-8GEM, CF-62EM, CF-62EM-A, CF-62ET, CF-62ET-A, CF-62GEM, CF-62GEM-A, CFC4-8ET, CFC-62EM, CFC-62ET, CFM-10EM, CFM-10EM-6, CFM-10EM-A, CFM-10ET, CFM-10ET-6, CFM-10ET-A, CFM-10GEM, CFM-10GEM-6, CFM-10GEM6-A, CFM-10GEM-A, CFM2-68GEM, CFM3-612GEMV, CFM4-66ET, CFM4-66GEM, CFM4-68ET, CFM4-68GEM, CFM6-610ET, CFM6-610GEM, CFM-8EM, CFM-8EM-A, CFM-8ET, CFM-8ET-A, CFM-8GEM, CFM-8GEM-A, CFMC4-66ET, MFM-610EM, MFM-68EM, TPFM4-610GEM		



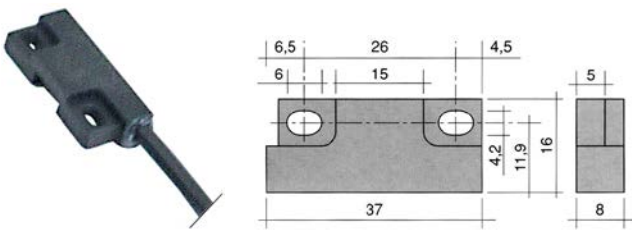
operation switches




Part No.	300080	Ref. No.	40100006 537000200
description	cam switch 2 operating positions 4NO 16A sequence 0-1 shaft \varnothing 6x4.6mm shaft L 23mm connection screw operation switch ceramic ambient temperature max. 150°C		
For models:	BM-10EMX, BM-4EMX, BM-61EM, BM-62EM, BM-62ET, BM-6EMX, BM-8EMX, BR-62ET, BR-6ET, BR-6ETX, BR-64ET, BR-74ET, BR-78ET, BR-94ET, BR-98ET, BRFD-64ET, BRT-66ET, BRT-66ETX, BS-4EMX, CF4-78ET, CF4-78GE, CF4-98ET, CF4-98GE, CF6-712ET, CF6-712ETV, CF6-712ETVX, CF6-712GEV, CF6-912ETV, CF6-912ETVX, CF6-912GEV, CF-712GE, CF8-916ET, CF8-916GE, CFC4-78ET, CFC4-98ET, CFQ4-78ET, CFQ4-98ET, CFQ6-712ET, CFQ6-712ETV, CFQ6-712ETVX, CFQ6-912ETV, CFQ6-912ETVX, CFQ9-916ET, CFV4-78ET, CFV4-78GPE, CFV4-98ET, CFV4-98GE, CFV6-712ETV, CFV6-712GPEV, CFV6-912ETV...(Other models you can see in the webshop)		
accessories for	300080		
	Part No.	551456	Ref. No. —
	gasket for switch ED \varnothing 14mm ID \varnothing 2.5mm thickness 3.5mm white		

magnetic switches


37x16mm



Part No.	345600	Ref. No.	C8310-00
description	magnetic switch L 37mm W 16mm 1NO 250V 0.2A P max. 50W connection cable cable length 960mm		
accessories for	345600		
	Part No.	519049	Ref. No. —
	magnet \varnothing mm L 63mm H 10.7mm W 18.8mm hole distance 52mm M2 hole \varnothing 2mm		

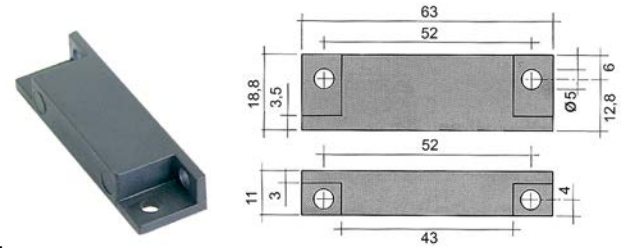
65x20mm



Part No.	345116	Ref. No.	537015700
description	magnetic switch L 65mm W 20mm 1NO 250V 0.4A P max. 100W connection cable cable length 3000mm		
For models:	FE-10, FE2-10, FE-2-8, FE-8, FEM-2-6, FEM-6, FME-10, FME-15, FME-2-10, FME-2-15, FMPE-20, FMPE-25, FMPE-30, FPE-20, FPE-25		
accessories for	345116		
	Part No.	345399	Ref. No. —
	magnet \varnothing 3.3mm L 40mm H 8mm W 13mm hole distance 30mm M3		

accessories

magnets



Part No.	345336	Ref. No.	537015800
description	magnet \varnothing 4.8mm L 63mm H 11mm W 18.8mm hole distance 51mm M4		
For models:	FE-10, FE2-10, FE-2-8, FE-8, FEM-2-6, FEM-6, FME-10, FME-15, FME-2-10, FME-2-15, FMPE-20, FMPE-25, FMPE-30, FPE-20, FPE-25		

encoders and potentiometers



Part No.	403908	Ref. No.	MC-802
description	encoder shaft \varnothing 6x4.6mm shaft L 10mm connection coded cable length 980mm		



lamps

indicator lights

indicator lights (complete)

ø 9mm



1

Part No.	359136	Ref. No.	C5410-00
description	indicator light ø 9mm 230V green connection male faston 6.3mm temp.-resist. 120°C		



1

Part No.	359137	Ref. No.	C5411-00
description	indicator light ø 9mm 230V yellow connection male faston 6.3mm temp.-resist. 120°C with lens		

ø10mm

with plug-in socket



1

Part No.	359139	Ref. No.	537014200 537017500
description	indicator light ø 10mm green 230V connection male faston 6.3mm Qty 1 pcs		
For models:	BM-10EM, BM-10EMX, BM-4EM, BM-4EMX, BM-61EM, BM-62EM, BM-62ET, BM-6EM, BM-6EMX, BM-74EM, BM-74ET, BM-78EM, BM-78ET, BM-8EM, BM-8EMX, BM-94EM, BM-98EM, BMD-64EM, BMD-84EM, BMT-63EM, BMT-64EM, BMT-66EM, BMT-74EM, BMT-78EM, BMT-94EM, BMT-98EM, BR-62ET, BR-6ET, BR-6ETX, BR-64ET, BR-74ET, BR-78ET, BR-94ET, BR-98ET, BRFD-64ET, BRT-66ET, BRT-66ETX, BS-4EM, BS-4EMX, BS-61EM, BS-62EM, BS-74EM, BS-94EM, BSD-64EM, BST-64EM, BST-74EM, BST-94EM, CF-10EM, CF-10EM-6, CF-10EM-A...(Other models you can see in the webshop)		



1

Part No.	359140	Ref. No.	6E00056TV
description	indicator light ø 10mm yellow 230V connection male faston 6.3mm Qty 1 pcs		

ø12mm

with screw socket



1

Part No.	359027	Ref. No.	C2205-00
description	indicator light ø 12mm 250V green connection male faston 6.3mm		



1

Part No.	359291	Ref. No.	40200152
description	indicator light ø 12mm 400V green connection male faston 6.3mm		



1

Part No.	359290	Ref. No.	40200150
description	indicator light ø 12mm 400V yellow connection male faston 6.3mm		

screw-on/push-on fit

light bulbs

for ovens



1

Part No.	359610	Ref. No.	537005400
description	light bulb t.max. 300°C socket E14 15W 230V ø 22mm L 47mm lens L 20mm for oven lamp type Philips		
For models:	CF-10EM, CF-10EM-6, CF-10EM-A, CF-10ET, CF-10ET-6, CF-10ET-A, CF-10G6-A, CF-10G-6F, CF-10G-A, CF-10GEM, CF-10GEM-6, CF-10GEM6-A, CF-10GEM-A, CF-10GF, CF4-68ET, CF4-68G, CF4-68GEM, CF4-8ET, CF4-8ETS, CF4-8G, CF4-8GEM, CF4-GEMS, CF-62EM, CF-62EM-A, CF-62ET, CF-62ET-A, CF-62GEM, CF-62GEM-A, CF6-610ET, CF6-610G, CF6-610GEM, CF-8EM, CF-8EM-A, CF-8ET, CF-8ET-A, CF-8G-A, CF-8GEM, CF-8GEM-A, CF-8GF, CFC4-8ET, CFC-62EM, CFC-62ET, CFM-10EM, CFM-10EM-6, CFM-10EM-A, CFM-10ET, CFM-10ET-6, CFM-10ET-A, CFM-10GEM, CFM-10GEM-6...(Other models you can see in the webshop)		



1

Part No.	359612	Ref. No.	C2104-03 C6073E-00 LAMP A001
description	light bulb t.max. 300°C socket E14 25W 230V ø 25mm L 56mm lens L 30mm for oven lamp type Philips		

halogen lamp

for socket G4 / G6.35 / G9



1

Part No.	359074	Ref. No.	C5252-00
description	halogen lamp socket G6.35 12V 35W temp.-resist. 500°C		





oven lamps

universal oven lamps

mounting diameter 35.5mm



1

Part No.	359718	Ref. No.	537007900
description	oven lamp mounting ø 35.5mm 230V 15W socket E14 temp.-resist. 300°C connection male faston 6.3mm hard glas		
For models:	CF-10EM, CF-10EM-6, CF-10EM-A, CF-10ET, CF-10ET-6, CF-10ET-A, CF-10G6-A, CF-10G-6F, CF-10G-A, CF-10GEM, CF-10GEM-6, CF-10GEM6-A, CF-10GEM-A, CF-10GF, CF4-68ET, CF4-68ETX, CF4-68G, CF4-68GEM, CF4-8ET, CF4-8ETS, CF4-8G, CF4-8GEM, CF4-GEMS, CF-62EM, CF-62EM-A, CF-62ET, CF-62ET-A, CF-62GEM, CF-62GEM-A, CF6-610ET, CF6-610ETX, CF6-610G, CF6-610GEM, CF-8EM, CF-8EM-A, CF-8ET, CF-8ET-A, CF-8G-A, CF-8GEM, CF-8GEM-A, CF-8GF, CFC4-8ET, CFC-62EM, CFC-62ET, CFM-10EM, CFM-10EM-6, CFM-10EM-A, CFM-10ET, CFM-10ET-6, CFM-10ET-A...(Other models you can see in the webshop)		
spare parts for	359718		
	Part No.	359701	Ref. No. —
	lamp socket socket E14 220-230V mounting ø 35.5mm connection male faston 6.3mm 15W		
	Part No.	359740	Ref. No. —
	light bulb t.max. 300°C socket E14 15W 230V ø 22mm L 48mm lens L 20mm for oven lamp IMPORT		

55x70mm




1

Part No.	357159	Ref. No.	C6073B-00
description	lamp socket socket E14 mounting measurements 55x70mm connection male faston 6.3mm Qty 1 pcs		



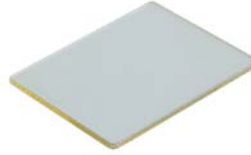
1

Part No.	359297	Ref. No.	C6073D-00
description	frame L 95mm W 81mm mounting distance 68/83mm thickness 6mm		
accessories for	359297		
	Part No.	359299	Ref. No. C6073F-00
	gasket L 91mm W 77mm hole ø 3mm for oven lamp		



1

Part No.	359299	Ref. No.	C6073F-00
description	gasket L 91mm W 77mm hole ø 3mm for oven lamp		



1

Part No.	359296	Ref. No.	C6073C-00
description	lamp glass L 74mm W 58mm thickness 3mm		



1

Part No.	357159	Ref. No.	C6073B-00
description	lamp socket socket E14 mounting measurements 55x70mm connection male faston 6.3mm Qty 1 pcs		


55x100mm




1


Part No.	359698	Ref. No.	C2272-01
description	lamp socket L 100mm W 55mm socket E14 connection male faston 6.3mm		


spare parts for 359698

	Part No.	358119	Ref. No. —
	frame L 118mm W 72mm mounting distance 143mm for bulb socket		

	Part No.	358122	Ref. No. —
	gasket L 112mm W 68mm silicone thickness 3mm for bulb socket		

	Part No.	358123	Ref. No. —
	lamp glass L 112mm W 68mm		

	Part No.	359612	Ref. No. C2104-03 C6073E-00 LAMPAA01
	light bulb t.max. 300°C socket E14 25W 230V ø 25mm L 56mm lens L 30mm for oven lamp type Philips		

	Part No.	359714	Ref. No. C2104-32
	gasket silicone L 140mm W 75mm for bulb socket		






	Part No.	359715	Ref. No. C2104-22
	lamp glass L 110mm W 65mm thickness 5mm		


Table continues overleaf












spare parts for 359698			
	Part No.	359716	Ref. No. C2104-12
frame for bulb socket			
accessories for 359698			
	Part No.	359612	Ref. No. C2104-03 C6073E-00 LAMPA001
light bulb t.max. 300°C socket E14 25W 230V ø 25mm L 56mm lens L 30mm for oven lamp type Philips			
	Part No.	359938	Ref. No. —
borosilicate glass L 115mm W 69mm			

			
1			
Part No.	359716	Ref. No.	C2104-12
description	frame for bulb socket		

			
1			
Part No.	359714	Ref. No.	C2104-32
description	gasket silicone L 140mm W 75mm for bulb socket		


			
1			
Part No.	359715	Ref. No.	C2104-22
description	lamp glass L 110mm W 65mm thickness 5mm		


			
1			
Part No.	359698	Ref. No.	C2272-01
description	lamp socket L 100mm W 55mm socket E14 connection male faston 6.3mm		
spare parts for 359698			
	Part No.	358119	Ref. No. —
frame L 118mm W 72mm mounting distance 143mm for bulb socket			
	Part No.	358122	Ref. No. —
gasket L 112mm W 68mm silicone thickness 3mm for bulb socket			
	Part No.	358123	Ref. No. —
lamp glass L 112mm W 68mm			

spare parts for 359698			
	Part No.	359612	Ref. No. C2104-03 C6073E-00 LAMPA001
light bulb t.max. 300°C socket E14 25W 230V ø 25mm L 56mm lens L 30mm for oven lamp type Philips			
	Part No.	359714	Ref. No. C2104-32
gasket silicone L 140mm W 75mm for bulb socket			
	Part No.	359715	Ref. No. C2104-22
lamp glass L 110mm W 65mm thickness 5mm			
	Part No.	359716	Ref. No. C2104-12
frame for bulb socket			
accessories for 359698			
	Part No.	359612	Ref. No. C2104-03 C6073E-00 LAMPA001
light bulb t.max. 300°C socket E14 25W 230V ø 25mm L 56mm lens L 30mm for oven lamp type Philips			
	Part No.	359938	Ref. No. —
borosilicate glass L 115mm W 69mm			

lamps

light bulbs

			
1			
Part No.	359610	Ref. No.	537005400
description	light bulb t.max. 300°C socket E14 15W 230V ø 22mm L 47mm lens L 20mm for oven lamp type Philips		
For models:	CF-10EM, CF-10EM-6, CF-10EM-A, CF-10ET, CF-10ET-6, CF-10ET-A, CF-10G6-A, CF-10G-6F, CF-10G-A, CF-10GEM, CF-10GEM-6, CF-10GEM6-A, CF-10GEM-A, CF-10GF, CF4-68ET, CF4-68G, CF4-68GEM, CF4-8ET, CF4-8ETS, CF4-8G, CF4-8GEM, CF4-GEMS, CF-62EM, CF-62EM-A, CF-62ET, CF-62ET-A, CF-62GEM, CF-62GEM-A, CF6-610ET, CF6-610G, CF6-610GEM, CF-8EM, CF-8EM-A, CF-8ET, CF-8ET-A, CF-8G-A, CF-8GEM, CF-8GEM-A, CF-8GF, CFC4-8ET, CFC-62EM, CFC-62ET, CFM-10EM, CFM-10EM-6, CFM-10EM-A, CFM-10ET, CFM-10ET-6, CFM-10ET-A, CFM-10GEM, CFM-10GEM-6...(Other models you can see in the webshop)		

			
1			
Part No.	359612	Ref. No.	C2104-03 C6073E-00 LAMPA001
description	light bulb t.max. 300°C socket E14 25W 230V ø 25mm L 56mm lens L 30mm for oven lamp type Philips		



halogen lamps

for socket G4 / G6.35 / G9



Part No.	359074	Ref. No.	C5252-00
description	halogen lamp socket G6.35 12V 35W temp.-resist. 500°C		

sockets

G4 / G5,3 / G6,35



Part No.	359369	Ref. No.	C5251-00 C5259-00
description	lamp socket socket G4/G5.3/G6.35 24V ø 17mm H 10mm connection cable 120mm mounting distance 11.5mm for halogen lamp cable length 730mm		

timers

electric timers





Part No.	362006	Ref. No.	537019301
description	timer ITS operation time 120min 2NO at 250V 16A permanent position no shaft ø 6x4.6mm shaft L 24mm mounting distance 25mm mounting thread M4 connection 6.3x0.8 ambient temperature max. 125°C		
For models:	CF-10EM, CF-10EM-6, CF-10EM-A, CF-10ET, CF-10ET-6, CF-10ET-A, CF-10GEM, CF-10GEM-6, CF-10GEM6-A, CF-10GEM-A, CF4-68ET, CF4-68ETX, CF4-68GEM, CF4-8ET, CF4-8ETS, CF4-8GEM, CF4-GEMS, CF-62EM, CF-62EM-A, CF-62ET, CF-62ET-A, CF-62GEM, CF-62GEM-A, CF6-610ET, CF6-610ETX, CF6-610GEM, CF-8EM, CF-8EM-A, CF-8ET, CF-8ET-A, CF-8GEM, CF-8GEM-A, CFC4-8ET, CFC-62EM, CFC-62ET, CFM-10EM, CFM-10EM-6, CFM-10EM-A, CFM-10ET, CFM-10ET-6, CFM-10ET-A, CFM-10GEM, CFM-10GEM-6, CFM-10GEM6-A, CFM-10GEM-A, CFM2-68GEM, CFM3-612GEMV, CFM4-66ET, CFM4-66GEM, CFM4-68ET... (Other models you can see in the webshop)		

mechanical timers



Part No.	350061	Ref. No.	537019300
description	timer DTJ with bell 2-pole operation time 120min impulse mechanical 2NO at 250V 16A permanent position yes shaft ø 6x4.6mm shaft 6x4.6mm shaft L 24mm mounting distance 28mm connection lateral		
For models:	CF-10EM, CF-10EM-6, CF-10EM-A, CF-10ET, CF-10ET-6, CF-10ET-A, CF-10GEM, CF-10GEM-6, CF-10GEM6-A, CF-10GEM-A, CF4-8ET, CF4-8ETS, CF4-8GEM, CF4-GEMS, CF-62EM, CF-62EM-A, CF-62ET, CF-62ET-A, CF-62GEM, CF-62GEM-A, CF-8EM, CF-8EM-A, CF-8ET, CF-8ET-A, CF-8GEM, CF-8GEM-A, CFC4-8ET, CFC-62EM, CFC-62ET, CFM-10EM, CFM-10EM-6, CFM-10EM-A, CFM-10ET, CFM-10ET-6, CFM-10ET-A, CFM-10GEM, CFM-10GEM-6, CFM-10GEM6-A, CFM-10GEM-A, CFM-8EM, CFM-8EM-A, CFM-8ET, CFM-8ET-A, CFM-8GEM, CFM-8GEM-A		



Part No.	350040	Ref. No.	C2191-00
description	timer M2 with bell 2-pole operation time 60min impulse mechanical 2NO at 250V 16A permanent position yes shaft ø 6x4.6mm shaft 6x4.6mm shaft L 23mm mounting distance 28mm connection lateral		
accessories for	350040		
	Part No.	110366	Ref. No. —
	knob switch zero mark t.max.°C ø 44mm shaft ø 6x4.6mm shaft flat upper black		
	Part No.	111202	Ref. No. —
	dial plate graduation 60min permanent position yes rotation 0-300° ø 60mm timers knob ø 45mm with permanent position		

alarm devices

buzzer boards



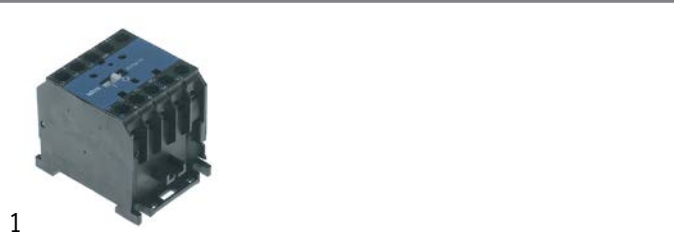
Part No.	401062	Ref. No.	C5366-00
description	buzzer board 230VAC L 48mm W 45mm connection Faston 6.3mm		



contactors

ISKRA (FANAL)

power contactors




1			
Part No.	380213	Ref. No.	53.7.0080.00 537010100
description	power contactor resistive load 20A 230VAC (AC3/400V) 8.5A/5.5kW main contacts 3NO auxiliary contacts 1NO connection screw connection type Fanal DSL7 10 type ISKRA K07M 10		
For models:	BRF-78ET, CP-74ET, CP-74ET-USA, CP-76ET, CP-78ET, CP-78ET-USA, CPA-66ET, CPA-74ET, CPA-76ET, CPA-78ET, CPT-64EM-USA, CPT-64ET, CPT-66ET, CPT-74ET, CPT-76ET, CWK-74ET, CWK-78ET, CWK-94ET, CWK-98ET, CWKT-64ET, CWKT-68ET, CWKT-74ET, CWKT-78ET, CWKT-94ET, CWKT-98ET, F10D-64ET, F10D-64ETX, F10T-63EM, F10T-63ETX, F13-64EM, F13-64ET, F13-74ET, F13-74ETX, F13T-74E, F13T-74ET, F13T-94ET, F18-74ET, F2-10D-66ET, F2-10D-66ETX, F2-10T-66EM, F2-10T-66ET, F2-10T-66ETX, F2-13-78ET, F2-13-78ETX, F2-13-98ET, F2-13T-78E, F2-13T-78ET, F2-18-78ET, F2-8-74ET...(Other models you can see in the webshop)		

LOVATO

power contactors




1			
Part No.	380705	Ref. No.	LC-310
description	power contactor resistive load 20A 230VAC (AC3/400V) 9A/4kW main contacts 3NO auxiliary contacts 1NO connection screw connection type 11BG0910A230		
accessories for	380705		
	Part No.	380057	Ref. No. —
	auxiliary contact contacts 1NO/1NC AC1 10A for contactors BG series connection screw type BGX1011		

relays

plug-in/print relays




1			
Part No.	381153	Ref. No.	AZ019-00
description	print relay 230VAC 2CO at 250V 8A raster size 5mm with socket		
spare parts for	381153		
	Part No.	381168	Ref. No. —
	print relay 230VAC 2CO 2-pole at 250V 8A connection pins raster size 5mm SCHRACK manuf. no. RT424730 95.65/95.75		

probes

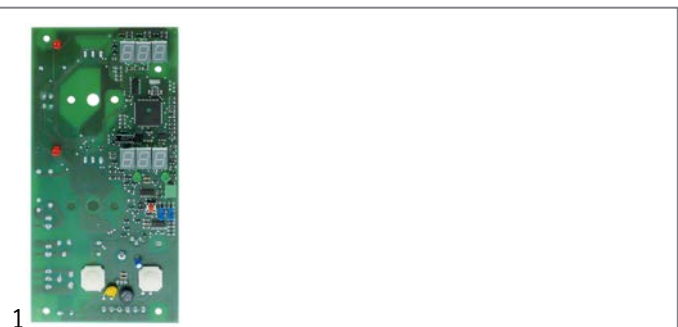
producer-specific probes

probes

1			
			
Part No.	378671	Ref. No.	C8138-00
description	temperature probe Pt1000 cable PTFE connection 2-wire probe ø4x60mm cable length 1.3m		

electronics

PCBs



1			
Part No.	401101	Ref. No.	C2560-00
description	keypad PCB L 200mm W 95mm		



solenoid valves


solenoid valves (water)

ROBERTSHAW/INVENSY

medium temperature: 90°C 90°C 60°C
 ambient temperature: 60°C 25°C 60°C
 duty cycle: 40% 100% 100%



1

Part No.	372025	Ref. No.	C2088-00
description	solenoid valve triple straight 230VAC inlet 3/4" outlet 11.5mm DN10 EATON (INVENSY)		
accessories for	372025		
	Part No.	371250	Ref. No. C1707-00
	reducer type EATON (INVENSY) flow rate 0.25l/min pressure range 0 up to 10bar tolerance ±15/25% white		

spare parts and accessories

reducers

outlet side



1

Part No.	371250	Ref. No.	C1707-00
description	reducer type EATON (INVENSY) flow rate 0.25l/min pressure range 0 up to 10bar tolerance ±15/25% white		

RPE




1

Part No.	374017	Ref. No.	C3057-00
description	solenoid valve single straight 230VAC inlet 3/4" outlet 10mm input 6l/min DN10 RPE polyamide flow regulating valve inlet white membranes NBR pressure range 0.2-10bar		

TP



1


Part No.	370017	Ref. No.	537012600
description	solenoid valve single straight 230VAC inlet 3/4" outlet 11.5mm DN10 TP p max 10bar		
For models:	CP-4ET, CP-6ET		
spare parts for	370017		
	Part No.	371013	Ref. No. —
	solenoid coil TP 230VAC 50/60Hz		

accessories for		370017		
	Part No.	371220	Ref. No.	—
	reducer TP flow rate 3l/min red tolerance ±15%			
	Part No.	371221	Ref. No.	—
	reducer TP flow rate 5.5l/min yellow tolerance ±15%			
	Part No.	371222	Ref. No.	—
	reducer TP flow rate 6l/min grey tolerance ±15%			
	Part No.	371223	Ref. No.	—
	reducer TP flow rate 10l/min white tolerance ±15%			
	Part No.	371224	Ref. No.	—
	reducer TP flow rate 12l/min bronze tolerance ±15%			
	Part No.	371225	Ref. No.	—
	reducer TP flow rate 16l/min light brown tolerance ±15%			
	Part No.	371226	Ref. No.	—
	reducer TP flow rate 20l/min red tolerance ±15%			
	Part No.	371230	Ref. No.	—
	reducer TP flow rate 0.25l/min red tolerance ±25%			
	Part No.	371231	Ref. No.	—
	reducer TP flow rate 0.35l/min violet tolerance ±25%			
	Part No.	371232	Ref. No.	—
	reducer TP flow rate 0.5l/min orange tolerance ±25%			
	Part No.	371233	Ref. No.	—
	reducer TP flow rate 0.8l/min white tolerance ±25%			
	Part No.	371234	Ref. No.	—
	reducer TP flow rate 1l/min light blue tolerance ±25%			
	Part No.	371235	Ref. No.	—
	reducer TP flow rate 1.2l/min brown tolerance ±25%			
	Part No.	371236	Ref. No.	—
	reducer TP flow rate 1.5l/min light brown tolerance ±25%			
	Part No.	371237	Ref. No.	—
	reducer TP flow rate 2.5l/min yellow tolerance ±25%			
	Part No.	371238	Ref. No.	—
	reducer TP flow rate 3.4l/min dark green tolerance ±25%			
	Part No.	371239	Ref. No.	—
	reducer TP flow rate 5l/min black tolerance ±25%			
	Part No.	371240	Ref. No.	—
	reducer TP flow rate 8l/min blue tolerance ±20%			




fans


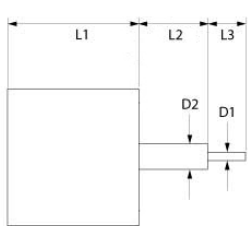
hot air motors

1 


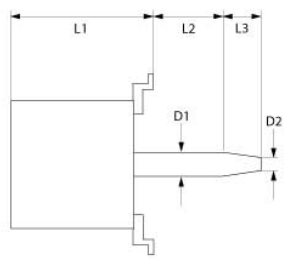
Part No.	550049	Ref. No.	C2029-00
description	counterflange for fan motor ED ø 60mm int. ø 1 27.3mm int. ø 2 18.5mm thickness 5.8mm brass		

1 


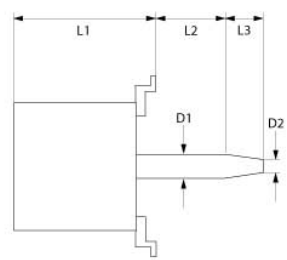
Part No.	511585	Ref. No.	C2027-00
description	engine shaft gasket ID ø 17mm ED ø 21.5mm thickness 3.5mm conical		

1  


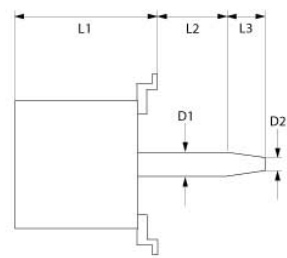
Part No.	500629	Ref. No.	RRC3610-00
description	fan motor 220-240V 1 phase 50/60Hz 0.045/0.0765kW 2800/3400rpm speeds 1 L1 95mm L2 33mm L3 19mm D1 ø 8mm D2 ø 10mm 0.35A suitable capacitor 2.5µF/400V type 1048		
For models:	RDA-5E, RDA-5EM, RDE-5E, RDE-5EM, SUTA-4E, SUTA-5E		

1  


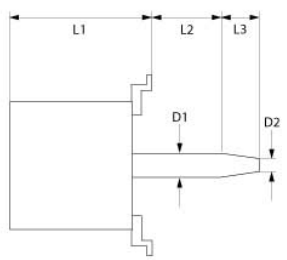
Part No.	500630	Ref. No.	C2901-00
description	fan motor 230/400V 3 phase 50Hz 0.37kW 2600rpm speeds 1 L1 175mm L2 50mm L3 28mm D1 ø 17mm D2 ø 12mm M8R IT 1.1/1.9A Cos(fi) 0.75 at 50Hz 2600rpm type 1020.5450		

1  


Part No.	500631	Ref. No.	C7160-00
description	fan motor 230/400V 3 phase 50Hz 0.55kW 2800rpm speeds 1 L1 185mm L2 45mm L3 47mm D1 ø 24mm D2 ø 20mm M8L IT 2.6/1.5A Cos(fi) 0.8 at 50Hz 2800rpm type 3011B4050		

1  

Part No.	601816	Ref. No.	C9011-00
description	fan motor 230V 1 phase 50Hz 0.25kW 2600rpm speeds 1 L1 90mm L2 38mm L3 24mm D1 ø 12mm D2 ø 10mm M6 1.5A Cos(fi) 0.98 suitable capacitor 10µF/450V		


1  


Part No.	601721	Ref. No.	C2900-00
description	fan motor 230V 1 phase 50Hz 0.37kW 2800rpm L1 172mm L2 53mm L3 33mm D1 ø 17mm D2 ø 12mm M8x1.25 2.5A suitable capacitor 10 Cos(fi) 0.95 type 1020.2350		

1 

Part No.	602179	Ref. No.	C9012-00
description	fan wheel blades 55 D1 ø 240mm D2 ø 9mm D3 ø 11mm H1 60mm H2 24mm		


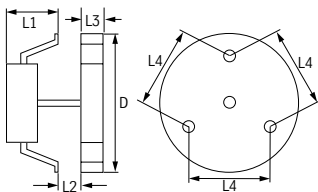



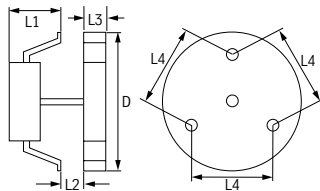
			
1			
Part No.	514257	Ref. No.	C3612-00
description	fan wheel D1 ø 164mm H1 38mm blades 36 D2 ø 8mm D3 ø 8mm H2 28mm		

			
1			
Part No.	552008	Ref. No.	C2028-00
description	flange for fan motor ED ø 60mm int. ø 1 21.5mm int. ø 2 18.5mm thickness 4mm brass		

hot air fans



miscellaneous

			
1			
			
Part No.	601339	Ref. No.	75R0035
description	hot air fan 230V 45W L1 78mm L2 13mm L3 25mm L4 87mm fan wheel ø 150mm Medys type 30.200.CLH		

			
1			
			
Part No.	601184	Ref. No.	537006800 537044700+533136500+533136600
description	hot air fan 230V L1 82mm L2 15mm L3 25mm L4 87mm fan wheel ø 150mm Emmevi type 260306X		
For models:	CF4-8ET, CF4-8GEM, CF-62EM, CF-62EM-A, CF-62ET, CF-62ET-A, CF-62GEM, CF-62GEM-A, CFC4-8ET, CFC-62EM, CFC-62ET, CFM-10EM, CFM-10EM-6, CFM-10EM-A, CFM-10ET, CFM-10ET-6, CFM-10ET-A, CFM-10GEM, CFM-10GEM-6, CFM-10GEM6-A, CFM-10GEM-A, CFM2-68GEM, CFM3-612GEMV, CFM4-66ET, CFM4-66GEM, CFM4-68ET, CFM4-68GEM, CFM6-610ET, CFM6-610GEM, CFM-8EM, CFM-8EM-A, CFM-8ET, CFM-8ET-A, CFM-8GEM, CFM-8GEM-A, CFMC4-66ET		

fuses

fine fuses

			
1			
Part No.	358532	Ref. No.	LC-422
description	fine fuse size ø5x20mm 2A fast-acting rated 250V Qty 10 pcs		
			
1			
Part No.	358594	Ref. No.	LC-426
description	fine fuse size ø5x20mm 0.16A slow-acting rated 250V Qty 10 pcs		



electric accessories

terminals

connection terminals with screw/faston connections



1			
Part No.	550278	Ref. No.	537007600
description	power terminal block 3-pole max. 40A max 400V connection ø6mm ² / F6.3 temp.-resist. 150°C cross section 6mm ²		
For models:	BM-10EM, BM-10EMX, BM-4EM, BM-4EMX, BM-61EM, BM-62EM, BM-62ET, BM-6EM, BM-6EMX, BM-74EM, BM-74ET, BM-74G, BM-78EM, BM-78ET, BM-78G, BM-8EM, BM-8EMX, BM-94EM, BM-98EM, BMT-74EM, BMT-78EM, BMT-94EM, BMT-98EM, BS-4EM, BS-4EMX, BS-61EM, BS-62EM, BS-74EM, BS-94EM, BST-74EM, BST-94EM, CF-10EM, CF-10EM-6, CF-10EM-A, CF-10ET, CF-10ET-A, CF-10G6-A, CF-10G-6F, CF-10G-A, CF-10GEM, CF-10GEM-6, CF-10GEM6-A, CF-10GEM-A, CF-10GF, CF2-58GE, CF3-512GEV, CF4-78G, CF4-8G, CF4-8GEM, CF4-GEMS... (Other models you can see in the webshop)		



1			
Part No.	550411	Ref. No.	537007700 FX0144-00
description	power terminal block 6-pole max. 40A max 450V connection ø6mm ² / F6.3 temp.-resist. 150°C cross section 6mm ²		
For models:	BM-61EM, BM-62EM, BM-62ET, BR-62ET, BR-6ET, BR-6ETX, BR-74ET, BR-78ET, BR-94ET, BR-98ET, CF-10EM, CF-10EM-A, CF-10ET, CF-10ET-6, CF-10ET-A, CF4-78ET, CF4-78GE, CF4-8ET, CF4-8ETS, CF-62EM, CF-62EM-A, CF-62ET, CF-62ET-A, CF6-712ET, CF6-712ETV, CF6-712ETVX, CF6-712GEV, CF-712GE, CF-8EM, CF-8EM-A, CF-8ET, CF-8ET-A, CFC4-78ET, CFC4-8ET, CFC-62ET, CFM-10ET, CFM-10ET-6, CFM-8ET, CFM-8ET-A, CFQ4-78ET, CFQ6-712ET, CFQ6-712ETV, CFQ6-712ETVX, CP-4ET, CP-4ETX, CP-61EM, CP-62ET, CP-6ET, CP-6ETX, CP-74ET... (Other models you can see in the webshop)		

rail-mounted terminals

miscellaneous



1			
Part No.	551453	Ref. No.	LC-420
description	rail-mounted terminal CONTA CLIP type STK2 4mm ² W 38mm L 48mm max. 6.3A max 500V		

gas thermostats

PEL




25ST series



1			
Part No.	101172	Ref. No.	531031600 531033800 531033900 531034000 531044300 531044400
description	gas thermostat PEL type 25ST 100-300°C gas inlet M16x1.5 (tube ø 10mm) bypass nozzle ø 0.35mm gas outlet M16x1.5 (tube ø 10/8mm) thermocouple connection M9x1 pilot connection M10x1 capillary pipe 1200mm probe ø 6mm probe L 100mm shaft ø 8x6.5mm shaft L 21/15mm shaft flat upper		
For models:	BRF-64G, BRF-74G, BRF-78G, BRF-94G, BRF-98G, CF4-78G, CF4-78GP, CF4-78GP-AUS, CF4-78GP-USA, CF4-98G, CF6-712G, CF6-712GP, CF6-712GPV, CF6-712GPV-USA, CF6-712GV, CF6-912G, CF6-912GV, CF8-916G, CF8-916GV, CFA4-78G, CFA4-98G, CFA6-712GV, CFA6-912GV, CFPB6-79G, PAF-78G, PAF-98G, TPF2-712G, TPF2-712GPV, TPF2-712GV, TPF2-78GP, TPF2-912G, TPF2-912GE, TPF2-912GV, TPF2-98G, TPF4-712GP, TPF4-712GPV, TPF4-912G, TPF4-912GV, TPF-78G, TPF-98G		
spare parts for	101172		
	Part No.	100259	Ref. No. —
	bypass nozzle type PEL22 bore ø 0.35mm thread M6x0.5		
	Part No.	101060	Ref. No. —
	magnet unit standard L 39mm D1 ø 15.4mm D2 ø 11mm suitable for PEL20-21/JUNKERS/EGA		
	Part No.	106200	Ref. No. —
	nut thread M9x1 suitable for PEL 24/25S		
accessories for	101172		
	Part No.	100908	Ref. No. —
	union screw thread M10x1 for pipe ø 4mm Qty 1 pcs		
	Part No.	100909	Ref. No. 533018500 / VPE1 533039000
	union screw thread M10x1 for pipe ø 6mm Qty 1 pcs		
	Part No.	101246	Ref. No. —
	olive for pipe ø 4mm Qty 1 pcs		
	Part No.	101278	Ref. No. 533039300
	olive for pipe ø 10mm Qty 1 pcs		
	Part No.	101286	Ref. No. 533039100
	olive ID ø 6mm Qty 1 pcs		
	Part No.	101300	Ref. No. 533010800
	union nut thread M16x1.5 tube ø 10mm		
	Part No.	101450	Ref. No. —
	olive for pipe ø 8mm L 12.7mm Qty 1 pcs ED ø 10mm		

Table continues overleaf



accessories for	101172		
	Part No.	101451	Ref. No. —
	union nut thread M16x1.5 tube ø 8mm		
	Part No.	110079	Ref. No. —
	knob dial plate gas thermostat 1-8 silver		
	Part No.	110081	Ref. No. 536017100
	knob ø 70mm shaft ø 8x6.5mm shaft flat universal		




gas valves and ignition boxes




gas control valves

SIT

NOVASIT



1	Part No.	101956	Ref. No.	531042000
description	gas valve SIT series Novasit 820 230V 50Hz gas inlet 1/2" gas outlet 1/2" thermocouple connection M9x1 pilot connection M10x1 ignition pressurebar pressure range 5-50mbar pressure regulator connection blind equiv. no. 0.820.031			
For models:	F18-94G, F2-18-98G, F2-25-98G, F25-94G, F45-78G			
spare parts for	101956			
	Part No.	101065	Ref. No.	—
	magnet unit with cable L 44mm D1 ø 30mm D2 ø 20mm suitable for NOVASIT			
	Part No.	101313	Ref. No.	537027200
	solenoid coil 230V 50Hz			
accessories for	101956			
	Part No.	100006	Ref. No.	—
	piezoelectric igniter suitable for ELETTROSIT body plastic blowing connection ø2.4mm ø 14mm			
	Part No.	101305	Ref. No.	—
	gas connection straight 1/2" flange 45x45mm ELETTROSIT/V4400/4600/4605 suitable for SIT/HONEYWELL hole distance 36x36mm			
	Part No.	101306	Ref. No.	—
	gas connection angled flange 45x45mm hole distance 36x36mm 1/2" ELETTROSIT/V4400/4600/4605 screw with O-ring suitable for SIT/HONEYWELL			
	Part No.	101307	Ref. No.	531043300
	gas connection straight flange 45x45mm hole distance 36x36mm 3/4" ELETTROSIT/V4400/4600/4605 screw with O-ring suitable for SIT/HONEYWELL			
	Part No.	101308	Ref. No.	—
	gas connection angled flange 45x45mm hole distance 36x36mm 3/4" ELETTROSIT/V4400/4600/4605 screw with O-ring suitable for SIT/HONEYWELL			
	Part No.	101312	Ref. No.	—
	microswitch			

accessories for	101956		
	Part No.	101314	Ref. No. —
	solenoid coil 24V 50Hz		
	Part No.	101317	Ref. No. —
	plug with cable L 1000mm suitable for NOVASIT		
	Part No.	101318	Ref. No. 536022600
	cover cap for solenoid coil suitable for NOVASIT		


accessories



1	Part No.	100905	Ref. No.	533018300
description	locking screw M10x1 for pipe ø 6mm Qty 1 pcs			



1	Part No.	101313	Ref. No.	537027200
description	solenoid coil 230V 50Hz			
For models:	F18-94G, F2-18-98G, F2-25-98G, F25-94G, F45-78G			

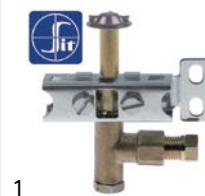
accessories for	101313		
	Part No.	550896	Ref. No. —
	gasket with screw gas valves NOVASIT		

ignition parts

pilot burners

SIT

100 series


















1	Part No.	106906	Ref. No.	30100005 530100005
description	pilot burner SIT type 100 series 3 flames nozzle ø 0.2mm gas connection 6mm			
spare parts for	106906			
	Part No.	100245	Ref. No.	533091000
	pilot burner nozzle LPG code 20 bore ø 0.2mm Qty 1 pcs thread M8x0.75			
	Part No.	100855	Ref. No.	—
	pilot burner bracket triple			


Table continues overleaf




spare parts for		106906		
	Part No.	100885	Ref. No.	—
	air mixing sleeve for pilot burner Qty 1 pcs			
	Part No.	100916	Ref. No.	—
	compression spring for pilot burner Qty 1 pcs			
	Part No.	100917	Ref. No.	—
	gasket for pilot burner Qty 1 pcs aluminium ID ø 8.5mm ED ø 11mm thickness 1.2mm			
	Part No.	100918	Ref. No.	—
	screw for pilot burner			
	Part No.	107162	Ref. No.	—
	pilot burner cap SIT 3 flames Hmm Lmm Qty 1 pcs			
	Part No.	107701	Ref. No.	—
	pilot burner bottom part SIT 100 series nozzle ø 0.2mm			
accessories for		106906		
	Part No.	100245	Ref. No.	533091000
	pilot burner nozzle LPG code 20 bore ø 0.2mm Qty 1 pcs thread M8x0.75			
	Part No.	100246	Ref. No.	533091200
	pilot burner nozzle natural gas bore ø 0.35mm Qty 1 pcs thread M8x0.75			
	Part No.	100904	Ref. No.	—
	locking screw M10x1 for pipe ø 4mm Qty 1 pcs			
	Part No.	100905	Ref. No.	533018300
	locking screw M10x1 for pipe ø 6mm Qty 1 pcs			
	Part No.	102110	Ref. No.	—
	pilot tube copper pipe ø 4mm thickness 1mm L 3000mm			
	Part No.	102111	Ref. No.	—
	pilot tube copper pipe ø 6mm thickness 1mm L 3000mm			
	Part No.	107171	Ref. No.	—
	pilot burner nozzle SIT natural/liquid gas bore ø 0.25mm Qty 1 pcs			
	Part No.	107700	Ref. No.	—
	pilot burner bottom part SIT 100 series nozzle ø 0.25mm			
	Part No.	107702	Ref. No.	—
	pilot burner bottom part SIT 100 series nozzle ø 0.35mm			

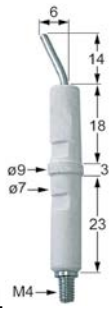
accessories

pilot burner nozzles

	1		
Part No.	100245	Ref. No.	533091000
description	pilot burner nozzle LPG code 20 bore ø 0.2mm Qty 1 pcs thread M8x0.75		
For models:	CF2-58G, CF2-58GE, CF2-68G, CF2-68GEM, CF3-512GEV, CF3-512GV, CF3-612GEMV, CF3-612GV, CF4-78GP, CF4-78GP-AUS, CF4-78GPE, CF4-78GP-USA, CF4-98G, CF4-98GE, CF6-712GP, CF6-712GPE, CF6-712GPEV, CF6-712GPV, CF6-712GPV-USA, CF6-912G, CF6-912GE, CF6-912GEV, CF6-912GV, CF-712GPE, CF8-916G, CF8-916GE, CF8-916GEV, CF8-916GV, CFA4-78G, CFA4-98G, CFA6-712GV, CFA6-912GV, CFM2-68GEM, CFM3-612GEMV, CFV4-78GPE, CFV4-98GE, CFV6-712GPEV, CFV6-912GEV, PA-78G, PA-98G, PAF-78G, PAF-98G, PAT-78G, PAT-98G, PC1T-64G, PC2T-68G, PC3-612G, PC3T-612G, PC-712GP, PC-712GPUSA...(Other models you can see in the webshop)		

	1		
Part No.	100246	Ref. No.	533091200
description	pilot burner nozzle natural gas bore ø 0.35mm Qty 1 pcs thread M8x0.75		
For models:	CF2-58G, CF2-58GE, CF2-68G, CF2-68GEM, CF3-512GEV, CF3-512GV, CF3-612GEMV, CF3-612GV, CF4-78GP, CF4-78GP-AUS, CF4-78GPE, CF4-78GP-USA, CF4-98G, CF4-98GE, CF6-712GP, CF6-712GPE, CF6-712GPEV, CF6-712GPV, CF6-712GPV-USA, CF6-912G, CF6-912GE, CF6-912GEV, CF6-912GV, CF-712GPE, CF8-916G, CF8-916GE, CF8-916GEV, CF8-916GV, CFA4-78G, CFA4-98G, CFA6-712GV, CFA6-912GV, CFM2-68GEM, CFM3-612GEMV, CFV4-78GPE, CFV4-98GE, CFV6-712GPEV, CFV6-912GEV, PA-78G, PA-98G, PAF-78G, PAF-98G, PAT-78G, PAT-98G, PC1T-64G, PC2T-68G, PC3-612G, PC3T-612G, PC-712GP, PC-712GPUSA...(Other models you can see in the webshop)		

ignition electrodes


	1		
Part No.	100706	Ref. No.	30100054
description	ignition electrode connection M4 Qty 1 pcs		















140 - 145 -150 series



Part No.	107133	Ref. No.	533023200
description	pilot burner SIT type 140 series 1 flame nozzle \varnothing mm gas connectionmm		
For models:	CF4-78G, CF4-78GP, CF4-78GP-AUS, CF4-78GP-USA, CF4-98G, CF6-712G, CF6-712GP, CF6-712GPV, CF6-712GPV-USA, CF6-712GV, CF6-912G, CF6-912GV, CF8-916G, CF8-916GV, CFA4-78G, CFA4-98G, CFA6-712GV, CFA6-912GV, CFPB6-79G, PAF-78G, PAF-98G, TP2-712G, TP2-712GP, TP2-78GP, TP2-912G, TP2-98G, TP2T-712GP, TP2T-78GP, TP2T-912G, TP2T-98G, TP4-712GP, TP4-912G, TP4T-610G, TP4T-712GP, TP4T-912G, TP-74G, TP-78G, TP-94G, TP-98G, TPF2-712G, TPF2-712GP, TPF2-712GPE, TPF2-712GPEV, TPF2-712GPV, TPF2-712GV, TPF2-78GP, TPF2-78GPE, TPF2-912G, TPF2-912GE, TPF2-912GEV...(Other models you can see in the webshop)		
accessories for	107133		
	Part No.	100204	Ref. No. —
	pilot burner nozzle SIT LPG code 14 bore \varnothing 0.18/0.20mm Qty 1 pcs suitable for 140 series		
	Part No.	100205	Ref. No. 533020500
	pilot burner nozzle SIT LPG code 19 bore \varnothing 0.23/0.26mm Qty 1 pcs suitable for SIT 150 series		
	Part No.	100206	Ref. No. —
	pilot burner nozzle SIT natural gas code 36 bore \varnothing 0.60/0.55mm Qty 1 pcs suitable for SIT 150 series		
	Part No.	100207	Ref. No. 533020600
	pilot burner nozzle SIT natural gas code 27 bore \varnothing 0.40/0.38mm suitable for SIT 140 series		
	Part No.	100216	Ref. No. —
	pilot burner nozzle SIT natural gas code 38 bore \varnothing 0.45mm Qty 1 pcs suitable for SIT 150 series		
	Part No.	100701	Ref. No. —
	ignition electrode connection M4 Qty 1 pcs		
	Part No.	100897	Ref. No. —
	olive for pipe \varnothing 4mm Qty 1 pcs for pilot burner		
	Part No.	100898	Ref. No. 533023300
	olive for pipe \varnothing 6mm Qty 1 pcs for pilot burner		
	Part No.	100906	Ref. No. 533018600
	screw connection thread M10x1 for ignition electrode brass Qty 1 pcs WS 10		
	Part No.	100907	Ref. No. —
	screw connection thread M10x1 Qty 1 pcs type SEF 1 \varnothing mm for thermocouple		
	Part No.	100908	Ref. No. —
	union screw thread M10x1 for pipe \varnothing 4mm Qty 1 pcs		
	Part No.	100909	Ref. No. 533018500 / VPE1 533039000
	union screw thread M10x1 for pipe \varnothing 6mm Qty 1 pcs		
	Part No.	102110	Ref. No. —
	pilot tube copper pipe \varnothing 4mm thickness 1mm L 3000mm		




accessories for	107133		
	Part No.	102111	Ref. No. —
	pilot tube copper pipe \varnothing 6mm thickness 1mm L 3000mm		



Part No.	107114 ¹	Ref. No.	533023400
description	pilot burner SIT type 140 series 2 flames nozzle \varnothing mm gas connectionmm		
For models:	BRT-66G, CPT-64G, CPT-66G, CPT-74G, CPT-76G, FTL-54G, FTL-56G, FTL-712G, FTL-712GS, FTL-712G-USA, FTL-74G, FTL-74GS, FTL-74GUSA, FTL-76G, FTL-76GS, FTL-76G-USA, FTL-78G, FTL-78G-AUS, FTL-78GS, FTL-78G-USA, FTL-916G, FTL-94G, FTL-94GS, FTL-98G, FTL-98GS, FTLR-56G, FTLR-712G, FTLR-712GS, FTLR-712G-USA, FTLR-76G, FTLR-76GS, FTLR-76G-USA, FTLR-78G, FTLR-78G-AUS, FTLR-78GS, FTLR-78G-USA, FTLR-98G, FTLR-98GS, FTR-54G, FTR-56G, FTR-712G, FTR-712GS, FTR-712G-USA, FTR-74G, FTR-74GS, FTR-74G-USA, FTR-76G, FTR-76GS, FTR-76G-USA, FTR-78G...(Other models you can see in the webshop)		
accessories for	107114		
	Part No.	100907	Ref. No. —
	screw connection thread M10x1 Qty 1 pcs type SEF 1 \varnothing mm for thermocouple		
accessories for	107114		
	Part No.	100204	Ref. No. —
	pilot burner nozzle SIT LPG code 14 bore \varnothing 0.18/0.20mm Qty 1 pcs suitable for 140 series		
	Part No.	100205	Ref. No. 533020500
	pilot burner nozzle SIT LPG code 19 bore \varnothing 0.23/0.26mm Qty 1 pcs suitable for SIT 150 series		
	Part No.	100206	Ref. No. —
	pilot burner nozzle SIT natural gas code 36 bore \varnothing 0.60/0.55mm Qty 1 pcs suitable for SIT 150 series		
	Part No.	100207	Ref. No. 533020600
	pilot burner nozzle SIT natural gas code 27 bore \varnothing 0.40/0.38mm suitable for SIT 140 series		
	Part No.	100216	Ref. No. —
	pilot burner nozzle SIT natural gas code 38 bore \varnothing 0.45mm Qty 1 pcs suitable for SIT 150 series		
	Part No.	100701	Ref. No. —
	ignition electrode connection M4 Qty 1 pcs		
	Part No.	100801	Ref. No. —
	gasket for pilot burner Qty 1 pcs		
	Part No.	100897	Ref. No. —
	olive for pipe \varnothing 4mm Qty 1 pcs for pilot burner		
	Part No.	100898	Ref. No. 533023300
	olive for pipe \varnothing 6mm Qty 1 pcs for pilot burner		
	Part No.	100906	Ref. No. 533018600
	screw connection thread M10x1 for ignition electrode brass Qty 1 pcs WS 10		
	Part No.	100908	Ref. No. —
	union screw thread M10x1 for pipe \varnothing 4mm Qty 1 pcs		







¹incl. thermocouple fitting
Table continues overleaf







accessories for		107114	
	Part No.	100909	Ref. No. 533018500 / VPE1 533039000
	union screw thread M10x1 for pipe ø 6mm Qty 1 pcs		
	Part No.	102110	Ref. No. —
	pilot tube copper pipe ø 4mm thickness 1mm L 3000mm		
	Part No.	102111	Ref. No. —
	pilot tube copper pipe ø 6mm thickness 1mm L 3000mm		

160 series



Part No.	100056	Ref. No.	533011000
description	pilot burner SIT type 160 series 3 flames nozzle ømm gas connectionmm		
For models:	BM-4G, BM-61GF, BM-62GF, BM-6G, BM-8G, BR-62G, BR-6G, CP-62G, CP-6G, CP-74G, CP-74G-USA, CP-78G, CP-78G-USA, CP-94G, CP-94GUSA, CP-98G, CP-98G-USA, CPA-94G, CW-74G, CW-74G-USA, CW-78G, CW-78G-USA, CW-94G, CW-98G, CWT-64G, CWT-66G, CWT-68G, CWT-74G, CWT-74G-USA, CWT-78G, CWT-78G-USA, CWT-94G, CWT-98G, F11-54G, F13-64G, F13-74G, F13T-74G, F13T-94G, F18-74G, F2-13-78G, F2-13T-78G, F2-13T-98G, F2-18-78G, F2-8-74G, F2-8-94G, F2-8T-66G, F2-8T-74G, F2-8T-94G, F45-78G, F8T-63G...(Other models you can see in the webshop)		
spare parts for		100056	
	Part No.	100907	Ref. No. —
	screw connection thread M10x1 Qty 1 pcs type SEF 1 ømm for thermocouple		
accessories for		100056	
	Part No.	100202	Ref. No. —
	pilot burner nozzle natural gas code 41 Qty 1 pcs nozzle ø 0.41mm		
	Part No.	100203	Ref. No. —
	pilot burner nozzle LPG code 25 Qty 1 pcs nozzle ø 0.25mm		
	Part No.	100701	Ref. No. —
	ignition electrode connection M4 Qty 1 pcs		
	Part No.	100801	Ref. No. —
	gasket for pilot burner Qty 1 pcs		
	Part No.	100869	Ref. No. —
	pilot burner nozzle natural gas code 51 Qty 1 pcs suitable for 160 series nozzle ø 0.51mm		
	Part No.	100870	Ref. No. —
	olive for pipe ø 4mm Qty 1 pcs suitable for 160 series for pilot burner		
	Part No.	100906	Ref. No. 533018600
	screw connection thread M10x1 for ignition electrode brass Qty 1 pcs WS 10		
	Part No.	100908	Ref. No. —
	union screw thread M10x1 for pipe ø 4mm Qty 1 pcs		
	Part No.	100909	Ref. No. 533018500 / VPE1 533039000
	union screw thread M10x1 for pipe ø 6mm Qty 1 pcs		

accessories for		100056	
	Part No.	101287	Ref. No. —
	olive for pipe ø 6mm Qty 1 pcs		
	Part No.	102110	Ref. No. —
	pilot tube copper pipe ø 4mm thickness 1mm L 3000mm		
	Part No.	102111	Ref. No. —
	pilot tube copper pipe ø 6mm thickness 1mm L 3000mm		
	Part No.	107650	Ref. No. 533020200
	pilot burner nozzle SIT LPG code 30 Qty 1 pcs		

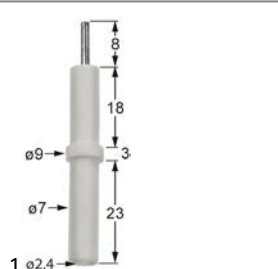
electrodes



Part No.	100706	Ref. No.	30100054
description	ignition electrode connection M4 Qty 1 pcs		



Part No.	100871	Ref. No.	537003000
description	ignition electrode D1 ø 7mm connection M4 to clip		
For models:	BM-4G, BM-61GF, BM-62GF, BM-6G, BM-74G, BM-78G, BM-8G, BR-62G, BR-6G, CP-62G, CP-6G, CP-74G, CP-78G, CPM-62G, CPM-6G, CW-4G, CW-61G, CW-62G, CW-6G, CW-74G, CW-78G, F13-74G, F18-74G, F2-13-78G, F2-18-78G, FG-10, FG-2-10, FMG-10, FMG-15, FMG-2-10, FMG-2-15, FMPG-20, FMPG-30, FP-62G, FP-6G, FPG-20, FPG-30, FQ-4G, FQ-61GF, FQ-62GF, FQ-6G, FQM-4G, FTL-4G, FTL-4GS, FTL-61G, FTL-61GF, FTL-61GS, FTL-61GSF, FTL-62G, FTL-62GF...(Other models you can see in the webshop)		



Part No.	106619	Ref. No.	537010200
description	ignition electrode D1 ø 7mm D2 ø 9mm L1 8mm BL1 18mm BL2 3mm BL3 23mm to clip connection ø 2.4mm		
For models:	BRT-66G, CP-74G, CP-74G-USA, CP-78G, CP-78G-USA, CP-94G-USA, CP-98G-USA, CPP-94G-USA, CPT-64G, CPT-66G, CPT-74G, CPT-76G, CW-74G, CW-74G-USA, CW-78G, CW-78G-USA, CWT-74G-USA, CWT-78G-USA, FTL-54G, FTL-56G, FTL-712G, FTL-712GS, FTL-712G-USA, FTL-74G, FTL-74GS, FTL-74G-USA, FTL-76G, FTL-76GS, FTL-76G-USA, FTL-78G, FTL-78G-AUS, FTL-78GS, FTL-78G-USA, FTL-916G, FTL-94G, FTL-94GS, FTL-98G, FTL-98GS, FTLR-56G, FTLR-712G, FTLR-712GS, FTLR-712G-USA, FTLR-76G, FTLR-76GS, FTLR-76G-USA, FTLR-78G, FTLR-78G-AUS, FTLR-78GS, FTLR-78G-USA, FTLR-98G...(Other models you can see in the webshop)		



1

Part No.	100906	Ref. No.	533018600
description	screw connection thread M10x1 for ignition electrode brass Qty 1 pcs WS 10		
For models:	BM-4G, BM-61GF, BM-62GF, BM-6G, BM-74G, BM-78G, BM-8G, BM-94G, BM-98G, BMT-64G, BMT-66G, BMT-74G, BMT-78G, BMT-94G, BMT-98G, BR-62G, BR-6G, BRF-64G, BRF-74G, BRF-78G, BRF-94G, BRF-98G, BRT-66G, CF4-78G, CF4-78GP, CF4-78GP-AUS, CF4-78GPUSA, CF4-98G, CF6-712G, CF6-712GP, CF6-712GPV, CF6-712GPV-USA, CF6-712GV, CF6-912G, CF6-912GV, CF8-916G, CF8-916GV, CFA4-78G, CFA4-98G, CFA6-712GV, CFA6-912GV, CFPB6-79G, CP-62G, CP-66G, CP-6G, CP-74G, CP-74G-USA, CP-76G, CP-78, CP-78G...(Other models you can see in the webshop)		

ignition cables

pre-assembled cables



1

Part No.	100190	Ref. No.	547010500
description	ignition cable cable length 1200mm connection F2.8mm / F2.8mm		
For models:	CF-10G6-A, CF-10G-6F, CF-10G-A, CF-10GF, CF4-8G, CF4-8GEM, CF-8G-A, CF-8GF		



1

Part No.	100018	Ref. No.	547013900
description	ignition cable cable length 600mm connection \varnothing 2.4mm / \varnothing 4mm permanent temperature 200°C		
For models:	CF4-98G, CF6-912G, CF6-912GV, CF8-916G, CF8-916GV, CFA4-98G, CFA6-912GV, CPB-98G, F45-78G, PAF-98G, TP-78G, TPF2-912G, TPF2-912GE, TPF2-912GV, TPF2-98G, TPF4-912G, TPF4-912GV, TPF-78G, TPF-78GE, TPF-98G		



1

Part No.	100178	Ref. No.	547014600
description	ignition cable cable length 900mm connection F2.8mm / \varnothing 2.4mm		
For models:	CF4-8G, CF4-8GEM, CF4-GEMS, PC-12G, PC-4G, PC-8G		


piezoelectric igniters

mounting diameter 22mm



1

Part No.	100013	Ref. No.	537008500
description	piezoelectric igniter body plastic blowing mounting \varnothing 22mm connection \varnothing 2.4mm cable lengthmm		
For models:	CW-4G, CW-61G, CW-62G, CW-6G		

accessories for	100013			
	Part No.	100023	Ref. No.	—
	female bullet size 2.3mm 0.5-1.5mm ² CuZn t.max. 125°C Qty 20 pcs			

ignition units



1

Part No.	101002	Ref. No.	537060300
description	ignition unit outputs 2 230VAC dimensions 88x23x34mm mounting distance 73mm inlet F6.3x0.8 outlet F2.8x0.8 0.6VA 50/60Hz		
For models:	CP-66G, CP-74G, CP-76G, CP-78, CP-94G, CP-98G, CPA-66G, CPA-74G, CPA-76G, CPA-78G, CPA-94G, CPA-98G, CPB-98G, CPBA-98G, CPP-94G, CPP-94G-USA, F18-94G, F2-18-98G, F2-25-98G, F25-94G		



1

Part No.	107226	Ref. No.	2 x 537006601+547002400
description	ignition unit outputs 2x4 220VAC with cable harness conversion kit for LOTUS		



1

Part No.	102388	Ref. No.	537006601
description	ignition unit outputs 4 230VAC dimensions 111x23x34mm mounting distance 100mm inlet F6.3x0.8 outlet F2.8x0.8 type WAC-T4 0.6VA 50/60Hz		
For models:	CF4-68GEM, CF4-8GEM, CF4-GEMS, CF6-610G, CFM4-66GEM, CFM4-68GEM, TPF4-610G		



1

Part No.	102389	Ref. No.	537005601
description	ignition unit outputs 6 230VAC dimensions 135x23x34mm mounting distance 123mm inlet F6.3x0.8 outlet F2.8x0.8 0.6VA 50/60Hz		



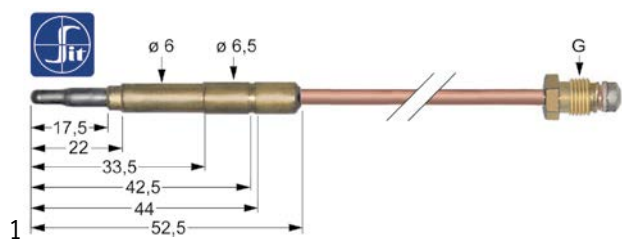
thermocouples

plug-in thermocouples

plug-in thermocouples standard

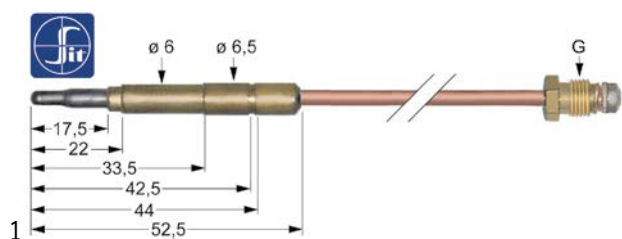
with barrel socket $\varnothing 6(6.5)$ mm

thermocouples SIT



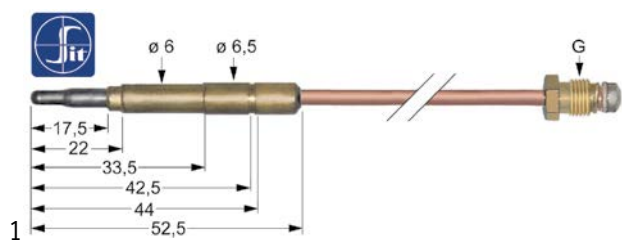
Part No. 107621 **Ref. No.** 10070

description thermocouple SIT M10x1 L 1500mm plug connection $\varnothing 6.0(6.5)$ mm



Part No. 107600 **Ref. No.** 05-000-0029

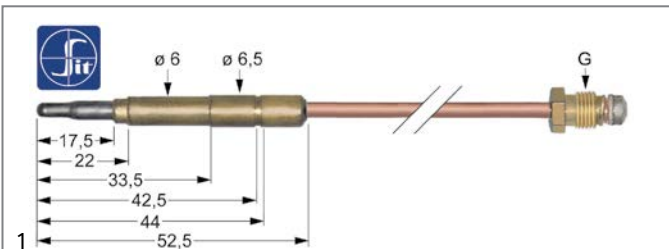
description thermocouple SIT M8x1 L 320mm plug connection $\varnothing 6.0(6.5)$ mm



Part No. 107614 **Ref. No.** 533041800

description thermocouple SIT M9x1 L 1500mm plug connection $\varnothing 6.0(6.5)$ mm

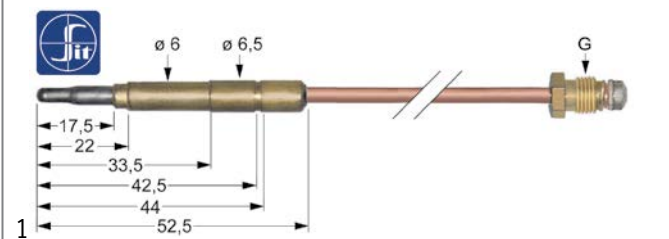
For models: CF4-78G, CF4-78GP, CF4-78GP-AUS, CF4-78GP-USA, CF4-98G, CF6-712G, CF6-712GP, CF6-712GPV, CF6-712GPV-USA, CF6-712GV, CF6-912G, CF6-912GV, CF8-916G, CF8-916GV, CFA4-78G, CFA4-98G, CFA6-712GV, CFA6-912GV, CFPB6-79G, PAF-78G, PAF-98G, TPF2-712G, TPF2-712GPV, TPF2-712GV, TPF2-78GP, TPF2-912G, TPF2-912GE, TPF2-912GV, TPF2-98G, TPF4-712GP, TPF4-712GPV, TPF4-912G, TPF4-912GV, TPF-78G, TPF-98G



Part No. 107608 **Ref. No.** 533045700
533053200

description thermocouple SIT M9x1 L 500mm plug connection $\varnothing 6.0(6.5)$ mm

For models: BM-4G, BM-61GF, BM-62GF, BM-6G, BM-74G, BM-78G, BM-8G, BM-94G, BM-98G, BMT-64G, BMT-66G, BMT-74G, BMT-78G, BMT-94G, BMT-98G, BR-62G, BR-6G, BRF-64G, BRF-74G, BRF-78G, BRF-94G, BRF-98G, BRT-66G, CF4-78GP, CF4-78GP-AUS, CF4-78GPE, CF4-78GP-USA, CF4-98G, CF4-98GE, CF6-712GP, CF6-712GPE, CF6-712GPEV, CF6-712GPV, CF6-712GPV-USA, CF6-912G, CF6-912GE, CF6-912GEV, CF6-912GV, CF-712GPE, CF8-916G, CF8-916GE, CF8-916GEV, CF8-916GV, CFV4-78GPE, CFV4-98GE, CFV6-712GPEV, CFV6-912GEV, CP-62G, CP-6G, CP-74G...(Other models you can see in the webshop)



Part No. 107611 **Ref. No.** 533039400

description thermocouple SIT M9x1 L 850mm plug connection $\varnothing 6.0(6.5)$ mm

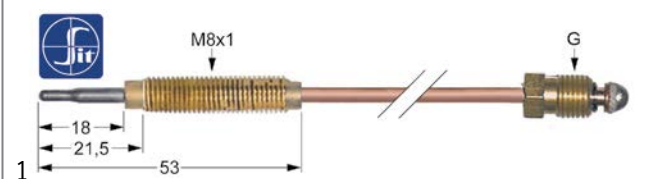
For models: CF2-58G, CF2-58GE, CF2-68G, CF2-68GEM, CF3-512GEV, CF3-512GV, CF3-612GEMV, CF3-612GV, CF4-78GP, CF4-78GP-AUS, CF4-78GPE, CF4-78GP-USA, CF4-98G, CF4-98GE, CF6-712GP, CF6-712GPE, CF6-712GPEV, CF6-712GPV, CF6-712GPV-USA, CF6-912G, CF6-912GE, CF6-912GEV, CF6-912GV, CF8-916G, CF8-916GE, CF8-916GEV, CF8-916GV, CFM2-68GEM, CFM3-612GEMV, CFV4-78GPE, CFV4-98GE, CFV6-712GPEV, CFV6-912GEV, CP-66G, CP-76G, CPA-66G, CPA-76G, CPB-98G, CPBA-98G, CPM-62G, CPM-6G, PC1T-64G, PC2T-68G, PC3-612G, PC3T-612G, PC-712GP, PC-712GP-USA, PC-716GP, PC-716GPIUSA, PC-74GP...(Other models you can see in the webshop)

threaded thermocouples

threaded thermocouples standard

with socket with thread M8x1

SIT



Part No. 107633 **Ref. No.** 533011800

description thermocouple SIT M8x1 L 1200mm M8x1

For models: CF-10G6-A, CF-10G-6F, CF-10G-A, CF-10GF, CF4-8G, CF4-8GEM, CF-8G-A, CF-8GF

accessories for 107633



Part No. 102067 **Ref. No.** 533009800

nut thread M8x1 H 3mm brass Qty 1 pcs type SEF 1



Part No.	107634	Ref. No.	533053700
description	thermocouple SIT M8x1 L 1500mm M8x1		
For models:	CF4-8G, CF4-8GEM		
accessories for	107634		
	Part No.	102067	Ref. No. 533009800
	nut thread M8x1 H 3mm brass Qty 1 pcs type SEF 1		

Part No.	107630	Ref. No.	53301100
description	thermocouple SIT M8x1 L 600mm M8x1		
accessories for	107630		
	Part No.	102067	Ref. No. 533009800
	nut thread M8x1 H 3mm brass Qty 1 pcs type SEF 1		

thermopiles

Part No.	102116	Ref. No.	537033000
description	thermopile ROBERTSHAW L 900mm probe ø 9mm probe L 57mm 250-750mV screw connection 7/16"		

extensions

Part No.	102013	Ref. No.	533053300
description	thermocouple extension thread M9x1 L 500mm		
For models:	BM-4G, BM-6G, BM-74G, BM-78G, BM-8G, BM-94G, BM-98G, BMT-64G, BMT-66G, BMT-74G, BMT-78G, BMT-94G, BMT-98G, CP-62G, CP-6G, F13T-74G, F-1G, F2-13T-78G, F2-8T-66G, F45-78G, F8T-63G, FP-62G, FP-6G, FQ-4G, FQ-61GF, FQ-62GF, FQ-6G, FQM-4G, FTL-54G, FTL-56G, FTL-712G, FTL-712GS, FTL-712G-USA, FTL-74G, FTL-74GS, FTL-74GUSA, FTL-76G, FTL-76G-USA, FTL-78G, FTL-78G-AUS, FTL-78GS, FTL-78G-USA, FTL-916G, FTL-94G, FTL-94GS, FTL-98G, FTL-98GS, FTLR-56G, FTLR-712G, FTLR-712GS...(Other models you can see in the webshop)		
accessories for	102013		
	Part No.	101261	Ref. No. —
	thermocouple fitting thread M9x1 Qty 1 pcs		

accessories

nuts

Part No.	102067	Ref. No.	533009800
description	nut thread M8x1 H 3mm brass Qty 1 pcs type SEF 1		
For models:	CF-10G6-A, CF-10G-6F, CF-10G-A, CF-10GEM, CF-10GEM-6, CF-10GEM6-A, CF-10GEM-A, CF-10GF, CF4-78G, CF4-78GE, CF4-8G, CF4-8GEM, CF4-GEMS, CF-62GEM, CF-62GEM-A, CF6-712G, CF6-712GEV, CF6-712GV, CF-712GE, CF-8G-A, CF-8GEM, CF-8GEM-A, CF-8GF, CFM-10GEM, CFM-10GEM-6, CFM-10GEM6-A, CFM-10GEM-A, CFM-8GEM, CFM-8GEM-A, F-1G, FB-1G, FO-1G, FO-2G, FO-3G, FOS-1G, FOS-2G, FOS-3G, PC-12G, PC-4G, PC-61GF, PC-62GF, PC-712G, PC-716G, PC-74G, PC-78G, PC-8G, TP2-712G, TPF2-712G, TPF2-712GV		

interrupters

Part No.	101265	Ref. No.	533011600
description	interrupter thread M9x1		
For models:	FG-10, FG-2-10, FMG-10, FMG-15, FMG-2-10, FMG-2-15, FMPG-20, FMPG-30, FP-62G, FP-6G, FPG-20, FPG-30, FQ-4G, FQ-61GF, FQ-62GF, FQ-6G, FQM-4G		

gas nozzles


pilot burner nozzles

pilot burner nozzles SIT

100 series


Part No.	100245	Ref. No.	533091000
description	pilot burner nozzle LPG code 20 bore ø 0.2mm Qty 1 pcs thread M8x0.75		
For models:	CF2-58G, CF2-58GE, CF2-68G, CF2-68GEM, CF3-512GEV, CF3-512GV, CF3-612GEMV, CF3-612GV, CF4-78GP, CF4-78GP-AUS, CF4-78GPE, CF4-78GP-USA, CF4-98G, CF4-98GE, CF6-712GP, CF6-712GPE, CF6-712GPEV, CF6-712GPV, CF6-712GPV-USA, CF6-912G, CF6-912GE, CF6-912GEV, CF6-912GV, CF-712GPE, CF8-916G, CF8-916GE, CF8-916GEV, CF8-916GV, CFA4-78G, CFA4-98G, CFA6-712GV, CFA6-912GV, CFM2-68GEM, CFM3-612GEMV, CFV4-78GPE, CFV4-98GE, CFV6-712GPEV, CFV6-912GEV, PA-78G, PA-98G, PAF-78G, PAF-98G, PAT-78G, PAT-98G, PC1T-64G, PC2T-68G, PC3-612G, PC3T-612G, PC-712GP, PC-712GPUSA...(Other models you can see in the webshop)		




			
Part No.	100246	Ref. No.	533091200
description	pilot burner nozzle natural gas bore ø 0.35mm Qty 1 pcs thread M8x0.75		
For models:	CF2-58G, CF2-58GE, CF2-68G, CF2-68GEM, CF3-512GEV, CF3-512GV, CF3-612GEMV, CF3-612GV, CF4-78GP, CF4-78GP-AUS, CF4-78GPE, CF4-78GP-USA, CF4-98G, CF4-98GE, CF6-712GP, CF6-712GPE, CF6-712GPEV, CF6-712GPV, CF6-712GPV-USA, CF6-912G, CF6-912GE, CF6-912GEV, CF6-912GV, CF-712GPE, CF8-916G, CF8-916GE, CF8-916GEV, CF8-916GV, CFA4-78G, CFA4-98G, CFA6-712GV, CFA6-912GV, CFM2-68GEM, CFM3-612GEMV, CFV4-78GPE, CFV4-98GE, CFV6-712GPEV, CFV6-912GEV, PA-78G, PA-98G, PAF-78G, PAF-98G, PAT-78G, PAT-98G, PC1T-64G, PC2T-68G, PC3-612G, PC3T-612G, PC-712GP, PC-712GPUSA...(Other models you can see in the webshop)		


			
Part No.	107650	Ref. No.	533020200
description	pilot burner nozzle SIT LPG code 30 Qty 1 pcs		
For models:	BM-4G, BM-61GF, BM-62GF, BM-6G, BM-74G, BM-78G, BM-8G, BR-62G, BR-6G, BR-64G, BR-74G, BR-78G, CP-62G, CP-6G, CP-74G, CP-74GUSA, CP-78G, CP-78G-USA, CP-94G, CP-94G-USA, CP-98G, CP-98GUSA, CPA-94G, CPA-98G, CPB-98G, CPBA-98G, CPM-62G, CPM-6G, CW-4G, CW-61G, CW-62G, CW-6G, CW-74G, CW-74G-USA, CW-78G, CW-78G-USA, CW-94G, CW-98G, CWT-64G, CWT-66G, CWT-68G, CWT-74G, CWT-78G, CWT-94G, CWT-98G, F11-54G, F13-64G, F13-74G, F13T-74G, F13T-94G...(Other models you can see in the webshop)		

140/150 series			
			
Part No.	100205	Ref. No.	533020500
description	pilot burner nozzle SIT LPG code 19 bore ø 0.23/0.26mm Qty 1 pcs suitable for SIT 150 series		
For models:	BRT-66G, CF4-78G, CF4-78GP, CF4-78GP-AUS, CF4-78GP-USA, CF4-98G, CF6-712G, CF6-712GP, CF6-712GPV, CF6-712GPV-USA, CF6-712GV, CF6-912G, CF6-912GV, CF8-916G, CF8-916GV, CFA4-78G, CFA4-98G, CFA6-712GV, CFA6-912GV, CFPB6-79G, FTL-54G, FTL-56G, FTL-712G, FTL-712GS, FTL-712G-USA, FTL-74G, FTL-74GS, FTL-74GUSA, FTL-76G, FTL-76GS, FTL-76G-USA, FTL-78G, FTL-78G-AUS, FTL-78GS, FTL-78G-USA, FTL-916G, FTL-94G, FTL-94GS, FTL-98G, FTL-98GS, FTLR-56G, FTLR-712G, FTLR-712GS, FTLR-712G-USA, FTLR-76G, FTLR-76GS, FTLR-76G-USA, FTLR-78G, FTLR-78G-AUS, FTLR-78GS...(Other models you can see in the webshop)		

			
Part No.	107174	Ref. No.	533020300
description	pilot burner nozzle SIT natural gas code 41 Qty 1 pcs		
For models:	BM-74G, BM-78G, BM-94G, BM-98G, BMT-64G, BMT-66G, BMT-74G, BMT-78G, BMT-94G, BMT-98G, BR-74G, BR-78G, BR-94G, BR-98G, CP-66G, CP-74G, CP-74G-USA, CP-76G, CP-78, CP-78G, CP-78G-USA, CPA-66G, CPA-74G, CPA-76G, CPA-78G, CPB-98G, CPBA-98G, CPP-94G, CPP-94G-USA, CPT-64G, CPT-66G		

			
Part No.	100207	Ref. No.	533020600
description	pilot burner nozzle SIT natural gas code 27 bore ø 0.40/0.38mm suitable for SIT 140 series		
For models:	BRT-66G, CF4-78G, CF4-78GP, CF4-78GP-AUS, CF4-78GP-USA, CF4-98G, CF6-712G, CF6-712GP, CF6-712GPV, CF6-712GPV-USA, CF6-712GV, CF6-912G, CF6-912GV, CF8-916G, CF8-916GV, CFA4-78G, CFA4-98G, CFA6-712GV, CFA6-912GV, CFPB6-79G, CPT-64G, CPT-66G, CPT-74G, CPT-76G, FTL-54G, FTL-56G, FTL-712G, FTL-712GS, FTL-712G-USA, FTL-74G, FTL-74GS, FTL-74G-USA, FTL-76G, FTL-76GS, FTL-76G-USA, FTL-78G, FTL-78G-AUS, FTL-78GS, FTL-78G-USA, FTL-916G, FTL-94G, FTL-94GS, FTL-98G, FTL-98GS, FTLR-56G, FTLR-712G, FTLR-712GS, FTLR-712G-USA, FTLR-76G, FTLR-76GS...(Other models you can see in the webshop)		

			
Part No.	107175	Ref. No.	533020400
description	pilot burner nozzle SIT natural gas code 51 Qty 1 pcs suitable for 160 series		
For models:	BM-4G, BM-61GF, BM-62GF, BM-6G, BM-74G, BM-78G, BM-8G, BR-62G, BR-6G, BR-64G, BR-74G, BR-78G, CP-62G, CP-6G, CP-74G, CP-74G-USA, CP-78G, CP-78G-USA, CP-94G, CP-94G-USA, CP-98G, CP-98G-USA, CPA-94G, CPA-98G, CPM-62G, CPM-6G, CW-4G, CW-61G, CW-62G, CW-6G, CW-74G, CW-74G-USA, CW-78G, CW-78G-USA, CW-94G, CW-98G, CWT-64G, CWT-66G, CWT-68G, CWT-74G, CWT-78G, CWT-94G, CWT-98G, F11-54G, F13-64G, F13-74G, F13T-74G, F13T-94G, F18-74G, F18-94G...(Other models you can see in the webshop)		

160 series			
			
Part No.	107172	Ref. No.	533020800
description	pilot burner nozzle SIT LPG code 25 Qty 1 pcs		
For models:	BM-74G, BM-78G, BM-94G, BM-98G, BMT-64G, BMT-66G, BMT-74G, BMT-78G, BMT-94G, BMT-98G, BR-74G, BR-78G, BR-94G, BR-98G, CP-66G, CP-74G, CP-74G-USA, CP-76G, CP-78, CP-78G, CP-78G-USA, CPA-66G, CPA-74G, CPA-76G, CPA-78G, CPP-94G, CPP-94G-USA, CPT-64G, CPT-66G		

N₂ gas components



screw connections

olives



1


Part No.	101278	Ref. No.	533039300
-----------------	--------	-----------------	-----------

description olive for pipe ø 10mm Qty 1 pcs


For models: BM-4G, BM-61GF, BM-62GF, BM-6G, BM-74EM, BM-74G, BM-78EM, BM-78G, BM-8G, BM-94EM, BM-94G, BM-98EM, BM-98G, BMD-64EM, BMD-84EM, BMT-64G, BMT-66G, BMT-74G, BMT-78G, BMT-94G, BMT-98G, BR-62G, BR-6G, BR-64G, BR-74G, BR-78G, BR-94G, BRT-66G, CF2-58G, CF2-58GE, CF2-68G, CF2-68GEM, CF3-512GEV, CF3-512GV, CF3-612GEMV, CF3-612GV, CF4-68G, CF4-68GEM, CF4-78ET, CF4-78ETX, CF4-78G, CF4-78GE, CF4-78GP, CF4-78GP-AUS, CF4-78GPE, CF4-78GP-USA, CF4-8G, CF4-8GEM, CF4-98ET, CF4-98ETX...(Other models you can see in the webshop)

accessories for 101278


Part No.	100943	Ref. No.	—
-----------------	--------	-----------------	---

 union nut thread M17x1 tube ø 10mm

Part No.	101300	Ref. No.	533010800
-----------------	--------	-----------------	-----------

 union nut thread M16x1.5 tube ø 10mm

Part No.	101478	Ref. No.	—
-----------------	--------	-----------------	---

 union nut thread 3/8" for pipe ø 10mm



1


Part No.	101273	Ref. No.	533017900
-----------------	--------	-----------------	-----------

description olive for pipe ø 12mm L 9.5mm brass Qty 1 pcs suitable for universal

For models: BM-61GF, BM-62GF, BM-74G, BM-78G, BM-94G, BM-98G, BMT-64G, BMT-66G, BMT-74G, BMT-78G, BMT-94G, BMT-98G, BR-64G, BR-74G, BR-78G, BR-94G, BR-98G, CP-62G, CP-6G, CPM-62G, F11-54G, F13-64G, F13-74G, F13T-74G, F13T-94G, F18-74G, F2-13-78G, F2-13T-78G, F2-13T-98G, F2-18-78G, F2-8-74G, F2-8-94G, F2-8T-66G, F2-8T-74G, F2-8T-94G, F8T-63G, FG-10, FG-2-10, FMG-10, FMG-15, FMG-2-10, FMG-2-15, FMGP-20, FMGP-30, FP-62G, FP-6G, FPG-20, FPG-30, FQ-4G, FQ-61GF...(Other models you can see in the webshop)

accessories for 101273

Part No.	100944	Ref. No.	—
-----------------	--------	-----------------	---

 union nut thread M18x1.5 for pipe ø 12mm

Part No.	101276	Ref. No.	533018000
-----------------	--------	-----------------	-----------

 union screw thread 3/8" tube ø 12mm Qty 1 pcs



1


Part No.	100898	Ref. No.	533023300
-----------------	--------	-----------------	-----------

description olive for pipe ø 6mm Qty 1 pcs for pilot burner

For models: BRT-66G, CF4-78G, CF4-78GP, CF4-78GP-AUS, CF4-78GP-USA, CF4-98G, CF6-712G, CF6-712GP, CF6-712GPV, CF6-712GPV-USA, CF6-712GV, CF6-912G, CF6-912GV, CF8-916G, CF8-916GV, CFA4-78G, CFA4-98G, CFA6-712GV, CFA6-912GV, CFPB6-79G, CPT-64G, CPT-66G, CPT-74G, CPT-76G, FTL-54G, FTL-56G, FTL-712G, FTL-712GS, FTL-712G-USA, FTL-74G, FTL-74GS, FTL-74G-USA, FTL-76G, FTL-76GS, FTL-76G-USA, FTL-78G, FTL-78G-AUS, FTL-78GS, FTL-78G-USA, FTL-916G, FTL-94G, FTL-94GS, FTL-98G, FTL-98GS, FTLR-56G, FTLR-712G, FTLR-712GS, FTLR-712G-USA, FTLR-76G, FTLR-76GS...(Other models you can see in the webshop)

accessories for 100898

Part No.	100909	Ref. No.	533018500 / VPE1 533039000
-----------------	--------	-----------------	----------------------------

 union screw thread M10x1 for pipe ø 6mm Qty 1 pcs



1

Part No.	101857	Ref. No.	533010400
-----------------	--------	-----------------	-----------

description olive for pipe ø 6mm Qty 1 pcs suitable for 160 series for pilot burner

For models: BM-4G, BM-61GF, BM-62GF, BM-6G, BM-74G, BM-78G, BM-8G, BM-94G, BM-98G, BMT-64G, BMT-66G, BMT-74G, BMT-78G, BMT-94G, BMT-98G, BR-62G, BR-6G, BR-64G, BR-74G, BR-78G, BR-94G, BR-98G, CP-62G, CP-66G, CP-6G, CP-74G, CP-74G-USA, CP-76G, CP-78, CP-78G, CP-78G-USA, CP-94G, CP-94G-USA, CP-98G, CP-98G-USA, CPA-66G, CPA-74G, CPA-76G, CPA-78G, CPA-94G, CPA-98G, CPB-98G, CPBA-98G, CPM-62G, CPM-6G, CPP-94G, CPP-94G-USA, CPT-64G, CPT-66G, CW-4G...(Other models you can see in the webshop)



1

Part No.	101286	Ref. No.	533039100
-----------------	--------	-----------------	-----------


description olive ID ø 6mm Qty 1 pcs

accessories for 101286

Part No.	100909	Ref. No.	533018500 / VPE1 533039000
-----------------	--------	-----------------	----------------------------

 union screw thread M10x1 for pipe ø 6mm Qty 1 pcs

Part No.	101464	Ref. No.	—
-----------------	--------	-----------------	---

 union nut thread M12x1 for pipe ø 6mm

union screws




1


Part No.	100905	Ref. No.	533018300
-----------------	--------	-----------------	-----------

description locking screw M10x1 for pipe ø 6mm Qty 1 pcs





			
1			
Part No.	100906	Ref. No.	533018600
description	screw connection thread M10x1 for ignition electrode brass Qty 1 pcs WS 10		
For models:	BM-4G, BM-61GF, BM-62GF, BM-6G, BM-74G, BM-78G, BM-8G, BM-94G, BM-98G, BMT-64G, BMT-66G, BMT-74G, BMT-78G, BMT-94G, BMT-98G, BR-62G, BR-6G, BRF-64G, BRF-74G, BRF-78G, BRF-94G, BRF-98G, BRT-66G, CF4-78G, CF4-78GP, CF4-78GP-AUS, CF4-78GPUSA, CF4-98G, CF6-712G, CF6-712GP, CF6-712GPV, CF6-712GPV-USA, CF6-712GV, CF6-912G, CF6-912GV, CF8-916G, CF8-916GV, CFA4-78G, CFA4-98G, CFA6-712GV, CFA6-912GV, CFPB6-79G, CP-62G, CP-66G, CP-6G, CP-74G, CP-74G-USA, CP-76G, CP-78, CP-78G...(Other models you can see in the webshop)		


			
1			
Part No.	100909	Ref. No.	533018500 / VPE1 533039000
description	union screw thread M10x1 for pipe ø 6mm Qty 1 pcs		
accessories for	100909		
	Part No.	Ref. No.	533023300
	olive for pipe ø 6mm Qty 1 pcs for pilot burner		
	Part No.	Ref. No.	533039100
	olive ID ø 6mm Qty 1 pcs		
	Part No.	Ref. No.	—
	olive for pipe ø 6mm Qty 1 pcs		
	Part No.	Ref. No.	—
	olive for pipe ø 6mm L 6mm aluminium Qty 1 pcs ED ø 8.5mm		


			
1			
Part No.	101477	Ref. No.	533016200 533026400
description	union screw thread M13x1 tube ø 8mm Qty 1 pcs		
For models:	CF-10G6-A, CF-10G-6F, CF-10G-A, CF-10GEM, CF-10GEM-6, CF-10GEM6-A, CF-10GEM-A, CF-10GF, CF2-58G, CF2-58GE, CF2-68G, CF3-512GEV, CF3-512GV, CF3-612GV, CF4-68G, CF4-8G, CF4-8GEM, CF-62GEM, CF-62GEM-A, CF6-610G, CF-8G-A, CF-8GEM, CF-8GEM-A, CF-8GF, CFM-10GEM, CFM-10GEM-6, CFM-10GEM6-A, CFM-10GEM-A, CFM-8GEM, CFM-8GEM-A, PC-61GF, PC-62GF, TPF4-610G		


equipmentspecific units for convection ovens/combi-steamers


			
1			
Part No.	696841	Ref. No.	C9010-00
description	bush ED ø 7.8mm L 18mm IT M6		

			
1			
Part No.	696844	Ref. No.	C1043-00
description	bush for pivot bearing combi-steamer ID ø 10mm ED ø 14mm L 18mm		

			
1			
Part No.	696840	Ref. No.	C9034-00
description	spacer bush ID ø 8.5mm ED ø 20mm L 11.5mm		

			
1			
Part No.	691627	Ref. No.	C1715-00
description	injection nozzle bore ø 0.4mm D1 ø 6mm D2 ø 11.5mm L 35mm WS 14 brass		

			
1			
Part No.	691628	Ref. No.	C1717-00
description	injection nozzle bore ø 0.5mm D1 ø 6mm D2 ø 10.5mm L 35mm WS 14 brass		

			
1			
Part No.	691629	Ref. No.	C1418-00
description	injection nozzle bore ø 0.7mm D1 ø 6mm D2 ø 11.5mm L 38mm WS 14 brass thread 1/8"		



filters



1

Part No.	701652	Ref. No.	C2125-00
description	drain filter ø 86mm H 30mm for combi-steamer spout ø 34mm		

door mechanics

accessories



1

Part No.	696845	Ref. No.	C2094-00
description	base plate W 38mm hole ø 7mm stainless steel L 192mm		



1

Part No.	696842	Ref. No.	C9037-00
description	bush hole ø 5mm stainless steel L 16mm		



1

Part No.	696838	Ref. No.	C8305-00
description	nut thread M10x1 WS 14 brass Qty 1 pcs serrated for door hinge		

knobs

universal knobs



1

Part No.	111533	Ref. No.	MANOP003
description	knob thermostat t.max. 500°C ø 50mm shaft ø 6x4.6mm shaft flat upper black temperature range 0-500°C rotation 270°		

accessories for 111533



Part No.	110135	Ref. No.	—
description	rosette knob up to ø 52mm		

producer-specific knobs

LOTUS



1

Part No.	110081	Ref. No.	536017100
description	knob ø 70mm shaft ø 8x6.5mm shaft flat universal		

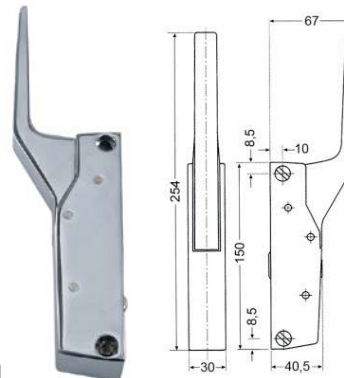
For models: BM-4G, BM-6G, BM-8G, BR-6G, CF-10G6-A, CF-10G-6F, CF-10G-A, CF-10GF, CF4-78G, CF4-78GE, CF4-8G, CF4-8GEM, CF4-GEMS, CF6-712G, CF6-712GEV, CF6-712GV, CF-712GE, CF-8G-A, CF-8GF, CP-6G, CP-74G, CP-78G, CPM-6G, CW-4G, CW-6G, CW-74G, CW-78G, F13-74G, F18-74G, F-1G, F2-13-78G, F2-18-78G, FB-1G, FO-1G, FO-2G, FO-3G, FOS-1G, FOS-2G, FOS-3G, FP-6G, FQ-4G, FQ-6G, FQM-4G, FTL-4G, FTL-4GS, FTL-6G, FTL-6GS, FTL-8G, FTL-8GS, FTLR-6G...(Other models you can see in the webshop)

locks

edgemoount latches

handle latches

CAFF/FERMOD



1

Part No.	700060	Ref. No.	C2210-01
-----------------	--------	-----------------	----------

description handle latch L 150mm mounting distance 133mm non lockable heated units G 791

accessories for 700060



Part No.	700061	Ref. No.	C2210-02
description	door catch L 58mm W 20mm H 35mm mounting distance 42mm chrome-plated brass for headed units		




Part No.	700062	Ref. No.	—
description	handle protection heated units		






producer-specific

INOXTREND






Part No.	690536	Ref. No.	C8118-00 C8118-00CR
description	catch L 172mm mounting distance 133mm non lockable chrome-plated 6200 total length 248mm		
accessories for	690536		
	Part No.	690123	Ref. No. —
	door catch H 69mm D 37mm W 20mm mounting distance 43mm with roller		



Part No.	690146	Ref. No.	C2211-01
description	handle latch L 172mm mounting distance 134mm non lockable heated units 6200 H 65mm type DUPLO total length 248mm		
accessories for	690146		
	Part No.	690123	Ref. No. —
	door catch H 69mm D 37mm W 20mm mounting distance 43mm with roller		
	Part No.	693777	Ref. No. —
	gasket H 6.6mm L 105mm W 45mm L1 78mm W1 25mm for handle		
	Part No.	693778	Ref. No. —
	door catch		

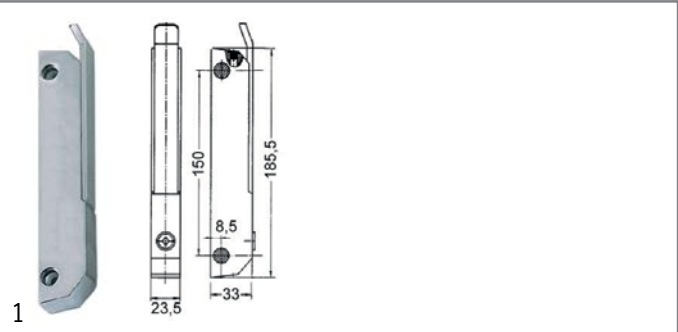
MODULAR







Part No.	690146	Ref. No.	C2211-01
description	handle latch L 172mm mounting distance 134mm non lockable heated units 6200 H 65mm type DUPLO total length 248mm		
accessories for	690146		
	Part No.	690123	Ref. No. —
	door catch H 69mm D 37mm W 20mm mounting distance 43mm with roller		
	Part No.	693777	Ref. No. —
	gasket H 6.6mm L 105mm W 45mm L1 78mm W1 25mm for handle		
	Part No.	693778	Ref. No. —
	door catch		

RAHRBACH

6188 ERGO series



Part No.	700081	Ref. No.	C8050-00
description	handle latch L 185mm mounting distance 150mm chrome-plated non lockable refrigeration units 6188		
accessories for	700081		
	Part No.	690110	Ref. No. —
	base plate H 1mm L 38mm W 11mm mounting distance 26mm plastic		
	Part No.	690111	Ref. No. —
	base plate H 2mm L 38mm W 11mm mounting distance 26mm plastic		
	Part No.	690114	Ref. No. —
	base plate H 3.5mm L 185mm W 30mm mounting distance 150mm with inclination thread M5		
	Part No.	700082	Ref. No. —
	door catch L 38mm W 18mm mounting distance 26mm		



door catches



1

Part No.	690487	Ref. No.	C2211-02
description	door catch H 41mm L 70mm W 21mm mounting distance 40mm nickel-plated brass with roller rollerø 8mm		



1

Part No.	700061	Ref. No.	C2210-02
description	door catch L 58mm W 20mm H 35mm mounting distance 42mm chrome-plated brass for headed units		
accessories for	700061		
	Part No.	690414	Ref. No.
	handle latch L 150mm mounting distance 133mm non lockable refrigeration units G 791		

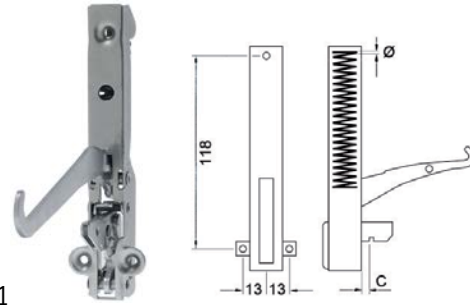
hinges

oven hinges



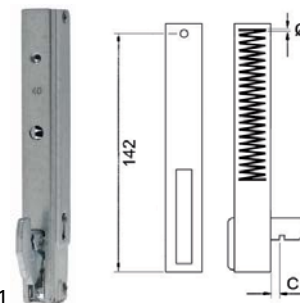
1

Part No.	690031	Ref. No.	531007200
description	opposite support oven hinge		
For models:	CF-62EM, CF-62EM-A, CF-62ET, CF-62ET-A, CF-62GEM, CF-62GEM-A, CFC-62EM, CFC-62ET		



1

Part No.	690030	Ref. No.	531007100
description	oven hinge mounting distance 118mm lug mounting 13mm lever length 117mm groove distance 10mm spring thickness 3.5mm mounting ear position left/right spring length 60mm L 155mm W 21mm		
For models:	CF-62EM, CF-62EM-A, CF-62ET, CF-62ET-A, CF-62GEM, CF-62GEM-A, CFC-62EM, CFC-62ET		
accessories for	690030		
	Part No.	700003	Ref. No.
	opposite support L 110mm W 12mm mounting distance 94mm		



1

Part No.	700390	Ref. No.	531007302
description	oven hinge mounting distance 142mm mounting distance 2mm lug mountingmm lever lengthmm groove distance 12mm spring thickness 3mm mounting ear position spring length 116mm L 170mm mounting pos. left/right W 22mm		
For models:	CF-10EM, CF-10EM-6, CF-10EM-A, CF-10ET, CF-10ET-6, CF-10ET-A, CF-10G6-A, CF-10G6-F, CF-10G-A, CF-10GEM, CF-10GEM-6, CF-10GEM6-A, CF-10GEM-A, CF-10GF, CF4-8ET, CF4-8ETS, CF4-8G, CF4-8GEM, CF4-GEMS, CF-8EM, CF-8EM-A, CF-8ET, CF-8ET-A, CF-8G-A, CF-8GEM, CF-8GEM-A, CF-8GF, CFC4-8ET, CFM-10EM, CFM-10EM-6, CFM-10EM-A, CFM-10ET, CFM-10ET-6, CFM-10ET-A, CFM-10GEM, CFM-10GEM-6, CFM-10GEM6-A, CFM-10GEM-A, CFM4-66ET, CFM4-66GEM, CFM-8EM, CFM-8EM-A, CFM-8ET, CFM-8ET-A, CFM-8GEM, CFM-8GEM-A, CFM4-66ET, MFM-68EM		


door bearing




1

Part No.	519631	Ref. No.	C9021-00
description	hinge bearing L 112mm W 35mm H 6mm mounting pos. upper without bolt		




			
1			
Part No.	519633	Ref. No.	C9022-00
description	hinge bearing L 151mm W 35mm mounting pos. lower thickness 6mm without bolt		

			
1			
Part No.	519635	Ref. No.	C8311-00
description	hinge bearing L 60mm W 36mm H 22mm thickness 3mm bolt 12mm		

accessories

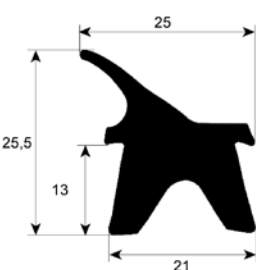
bushes

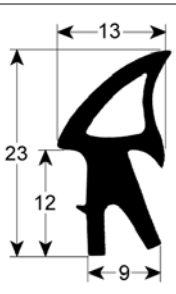
			
1			
Part No.	696844	Ref. No.	C1043-00
description	bush for pivot bearing combi-steamer ID ø 10mm ED ø 14mm L 18mm		

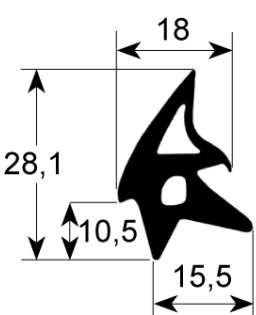
gaskets

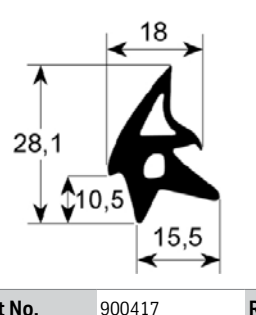
gaskets for heated units

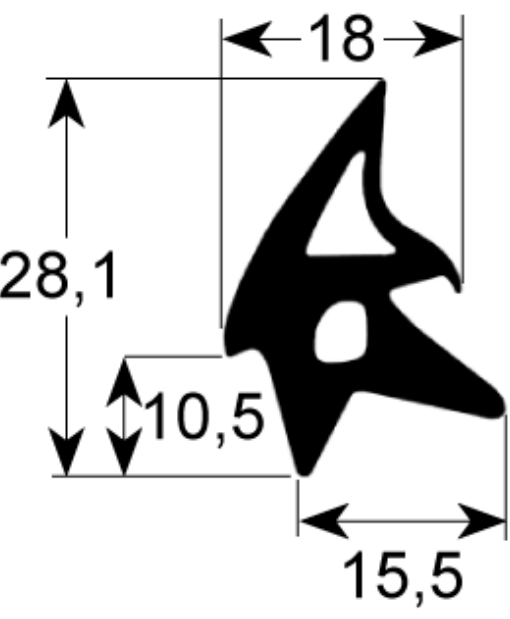
door seals

			
1			
Part No.	901129	Ref. No.	C2215-02
description	door seal profile 2402 W 580mm L 765mm Qty 1 4-piece		

			
1			
Part No.	900413	Ref. No.	C6090-00
description	door seal profile 2458 L 1400mm Qty 1		

			
1			
Part No.	901384	Ref. No.	C9031-00
description	door seal profile 2470 L 2100mm Qty 1		

			
1			
Part No.	900417	Ref. No.	C5220-00
description	door seal profile 2470 L 2300mm Qty 1		

			
1			
Part No.	902544	Ref. No.	C9029-00
description	door seal profile 2470 L 2570mm		



door seals with fixing hook



1

Part No.	902401	Ref. No.	75R0003
description	oven gasket L 470mm W 380mm 4-sided with 8 mounting clips		

O-rings

EPDM

ø5.34mm



1

Part No.	510408	Ref. No.	10500100
description	O-ring EPDM thickness 5.34mm ID ø 47mm Qty 1 pcs		

special gaskets

for combi-steamers



1

Part No.	696847	Ref. No.	C9153-00
description	gasket for motor shaft conical ED ø 21.5mm ID ø 11.8mm plastic		

sealing discs



1

Part No.	901539	Ref. No.	C9032-00
description	gasket ø 16mm thickness 2.7mm rubber Qty 1 pcs		

dosing pumps

membrane dosing pumps

self-priming

LANG

accessories



1

Part No.	101286	Ref. No.	533039100
description	olive ID ø 6mm Qty 1 pcs		

accessories for 101286



Part No.	100909	Ref. No.	533018500 / VPE1 533039000
-----------------	--------	-----------------	-------------------------------

union screw thread M10x1 for pipe ø 6mm Qty 1 pcs



Part No.	101464	Ref. No.	—
-----------------	--------	-----------------	---

union nut thread M12x1 for pipe ø 6mm

fittings, hose and pipe connectors

fittings

T-pieces

nickel-plated brass



1

Part No.	520812	Ref. No.	HR-040
description	T-piece thread 1/8" ET - 1/8" IT - 1/8" IT nickel-plated brass L 37mm		

hose connectors

producer-specific



1

Part No.	520337	Ref. No.	HR-595
description	hose connector thread 1/4" grommet ø 7mm ID ø 4.5mm grommet length 19mm WS 14 total length 35mm thread L 10mm		



measuring equipment

thermometers

built-in thermometers

ø60mm



Part No.	379855	Ref. No.	C2186-00
description	thermometer mounting ø 60mm t.max. 350°C +50 up to +350°C probe ø 6mm probe L 20mm capillary pipe 1030mm		

fastening material

nuts

hexagonal nuts

hexagonal nuts metric (without norm)



Part No.	102067	Ref. No.	533009800
description	nut thread M8x1 H 3mm brass Qty 1 pcs type SEF 1		
For models:	CF-10G6-A, CF-10G-6F, CF-10G-A, CF-10GEM, CF-10GEM-6, CF-10GEM6-A, CF-10GEM-A, CF-10GF, CF4-78G, CF4-78GE, CF4-8G, CF4-8GEM, CF4-GEMS, CF-62GEM, CF-62GEM-A, CF6-712G, CF6-712GEV, CF6-712GV, CF-712GE, CF-8G-A, CF-8GEM, CF-8GEM-A, CF-8GF, CFM-10GEM, CFM-10GEM-6, CFM-10GEM6-A, CFM-10GEM-A, CFM-8GEM, CFM-8GEM-A, F-1G, FB-1G, FO-1G, FO-2G, FO-3G, FOS-1G, FOS-2G, FOS-3G, PC-12G, PC-4G, PC-61GF, PC-62GF, PC-712G, PC-716G, PC-74G, PC-78G, PC-8G, TP2-712G, TPF2-712G, TPF2-712GV		

miscellaneous



Part No.	696838	Ref. No.	C8305-00
description	nut thread M10x1 WS 14 brass Qty 1 pcs serrated for door hinge		

consumables

fuses

fine fuses



Part No.	358532	Ref. No.	LC-422
description	fine fuse size ø5x20mm 2A fast-acting rated 250V Qty 10 pcs		



Part No.	358594	Ref. No.	LC-426
description	fine fuse size ø5x20mm 0.16A slow-acting rated 250V Qty 10 pcs		

GASTROPARTS.COM



© 2020 Gastroparts Sp. J. All rights reserved.