



GASTROPARTS

Leventi

[EN] Cooking

[DE] Kochtechnik

[ES] Cocción

[FR] Cuisson

[IT] Cottura

[PL] Obróbka termiczna

[RU] Термическая обработка

✉ gastroparts@gastroparts.com

☎ tel. +48 56 657 00 66

📘 fb.com/gastroparts.global

GASTROPARTS.COM





heating elements

immersion heating elements

miscellaneous



1

Part No.	511653	Ref. No.	20600007
description	gasket silicone L 82mm W 82mm thickness 3mm		



1

Part No.	420371	Ref. No.	30720643
description	heating element 7500W 240-415V heating circuits 3 L 200mm W 40mm H 65mm number of thermostat sleeves 2 thermostat sleeves \varnothing 5.6mm length thermostat sleeves 200mm thermostat sleeve upper hole distance 600mm hole \varnothing 6.6mm cable length 590mm connection cable immersion heater flange width 820mm flange length 820mm SS included		

accessories for 420371



Part No.	511653	Ref. No.	20600007
description	gasket silicone L 82mm W 82mm thickness 3mm		



1

Part No.	420582	Ref. No.	30720642
description	heating element 9000W 208V heating circuits 3 L 205mm W 40mm H 74mm number of thermostat sleeves 2 thermostat sleeves \varnothing 6mm length thermostat sleeves 185mm thermostat sleeve eccentric, clinging tube \varnothing 6.5mm hole distance 64mm hole \varnothing 6mm cable length 600mm connection cable 4 hole flange steam generator flange width 82mm flange length 82mm with gasket		



1

Part No.	420575	Ref. No.	30720641
description	heating element 9000W 240/415V heating circuits 3 L 203mm W 38mm H 66mm number of thermostat sleeves 2 thermostat sleeves \varnothing 6mm length thermostat sleeves 185mm thermostat sleeve eccentric, clinging tube \varnothing 6.5mm hole distance 64mm hole \varnothing 6.5mm cable length 620mm flange steam generator flange width 82mm flange length 82mm		

heating elements for convection



1

Part No.	417780	Ref. No.	30720664
description	heating element 10400-13850W 208/230/240V heating circuits 3 ID \varnothing 227mm ED \varnothing 316mm L 333mm H 72mm W1 103mm H1 10mm H2 62mm flange length 142mm flange width 25mm connection male faston 6.3mm connection length 76mm tube \varnothing 8.5mm dry heating element mounting thread 3xM5 rectangular flange with thread bolt with gasket		




1

Part No.	417767	Ref. No.	20700062
description	heating element 12000W 240V heating circuits 3 ID \varnothing 390mm ED \varnothing 400mm L 435mm H 120mm W1 140mm H1 35mm H2 80mm flange length 155mm flange width 25mm hole distance 23mm connection male faston 6.3mm connection length 80mm tube \varnothing 6.5mm dry heating element hole \varnothing 6.5mm mounting pos. inner rectangular flange		



1

Part No.	417777	Ref. No.	30720659
description	heating element 5400-5800W 400/415V heating circuits 2 ID \varnothing 227mm ED \varnothing 274mm L 300mm H 70mm L1 10mm W1 62mm H1 10mm H2 60mm flange length 100mm flange width 23mm connection male faston 6.3mm connection length 78mm tube \varnothing 8.5mm dry heating element mounting thread 2xM5/1xM4 rectangular flange with thread bolt with gasket		

1

Part No.	417776	Ref. No.	30720658
description	heating element 5400-7200W 208/230/240V heating circuits 2 ID ø 227mm ED ø 274mm L 300mm H 70mm L1 10mm W1 62mm H1 10mm H2 60mm flange length 100mm flange width 23mm connection male faston 6.3mm connection length 78mm tube ø 8.5mm dry heating element mounting thread 2xM5/1xM4 rectangular flange with thread bolt with gasket		



1

Part No.	417774	Ref. No.	20700013
description	heating element 9000W 208V heating circuits 3 ID ø 394mm ED ø 407mm L 425mm H 120mm W1 124mm H1 30mm H2 90mm flange length 156mm flange width 25mm hole distance 24mm connection male faston 6.3mm connection length 80mm tube ø 6.5mm dry heating element hole ø 6.5mm rectangular flange		



1

Part No.	417779	Ref. No.	30720662
description	heating element 6900-7500W 400/415V heating circuits 2 ID ø 226mm ED ø 274mm L 300mm H 74mm L1 13mm W1 62mm H1 14mm H2 60mm flange length 140mm flange width 25mm connection male faston 6.3mm connection length 78mm tube ø 8.5mm dry heating element mounting thread 3xM5 rectangular flange with thread bolt with gasket		



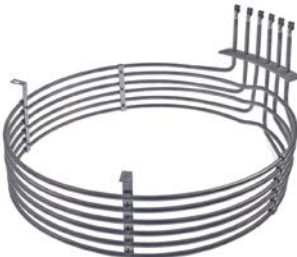
1

Part No.	417775	Ref. No.	20700014
description	heating element 9000W 208V heating circuits 3 ID ø 459mm ED ø 472mm L 510mm H 135mm W1 124mm H1 45mm H2 90mm flange length 156mm flange width 25mm hole distance 24mm connection male faston 6.3mm connection length 80mm tube ø 6.5mm dry heating element hole ø 6.5mm rectangular flange		




1

Part No.	417778	Ref. No.	30720661
description	heating element 6900-9200W 208/230/240V heating circuits 2 ID ø 224mm ED ø 273mm L 300mm H 74mm L1 18mm W1 62mm H1 14mm H2 60mm flange length 100mm flange width 23mm connection male faston 6.3mm connection length 78mm tube ø 8.5mm dry heating element mounting thread 2xM5/1xM4 rectangular flange with thread bolt with gasket		




1

Part No.	420419	Ref. No.	20700059
description	heating element 9000W 240V heating circuits 3 ID ø 395mm ED ø 405mm L 422mm H 120mm W1 148mm H1 50mm H2 87mm flange length 156mm flange width 25mm hole distance 25mm connection F6.3 hole ø 6.1mm		



1


Part No.	417762	Ref. No.	30700076
description	heating element 6900-9200W 208-240V heating circuits 2 ID ø 225mm ED ø 270mm L 295mm H 68mm L1 15mm W1 63mm H1 8mm H2 57mm flange length 142mm flange width 25mm connection male faston 6.3mm tube ø 8.5mm convection heating element mounting thread M5 hole ø 5mm rectangular flange with thread bolt		



1


Part No.	417768	Ref. No.	20700060
description	heating element 9000W 240V heating circuits 3 ID ø 460mm ED ø 470mm L 520mm H 135mm W1 145mm H1 50mm H2 85mm flange length 155mm flange width 25mm hole distance 23mm connection male faston 6.3mm connection length 80mm tube ø 6.5mm dry heating element hole ø 6.5mm mounting pos. inner rectangular flange		





			
1			
Part No.	417766	Ref. No.	20700061
description	heating element 9000W 240V heating circuits 3 ID ø 540mm ED ø 530mm L 580mm H 120mm W1 140mm H1 30mm H2 90mm flange length 155mm flange width 25mm hole distance 23mm connection male faston 6.3mm connection length 80mm tube ø 6.5mm dry heating element hole ø 6.5mm mounting pos. inner rectangular flange		

accessories

flange gaskets

			
1			
Part No.	699165	Ref. No.	06600064600
description	gasket L 142mm W 25mm D1 ø 6.5mm D2 ø 12mm hole distance 17mm 9 holes graphite thickness 2mm		


			
1			
Part No.	550548	Ref. No.	06600073000
description	gasket L 144mm W 25.5mm thickness 2.2mm for heating element suitable for GIORIK equiv. no. 2005173		

			
1			
Part No.	698523	Ref. No.	20700008
description	gasket L 155mm W 24.5mm D2 ø 7mm hole ø 9mm hole distance 12mm 13 holes graphite thickness 2.2mm		

thermostats

bi-metal thermostats


bi-metal thermostats


			
1			
Part No.	390963	Ref. No.	20800087
description	bi-metal thermostat hole distancemm switch-off temp. 120°C 1NC 1-pole 10A 250V connection F6.3 M4		

control and safety thermostats

JUMO

safety thermostats

			
1			
Part No.	375969	Ref. No.	20800022
description	safety thermostat switch-off temp. 135°C 1-pole 1CO 16A probe ø 4mm probe L 150mm capillary pipe 1500mm capillary pipe isolated 580mm shaft ø 5.4mm		



			
1			
Part No.	370763	Ref. No.	20800011 30820046
description	safety thermostat switch-off temp. 350°C 1-pole 1CO 2.5A probe ø 5mm probe L 48mm capillary pipe 950mm capillary pipe isolated 500mm gland nut probe SS copper screw connection M12 230V 602031/80		

switches and momentary switches

rocker/momentary rocker switches

30x22mm

blank

			
1			
Part No.	347706	Ref. No.	05000632000
description	momentary rocker switch mounting measurements 30x22mm black 2CO 250V 16A connection male faston 6.3mm ambient temperature max. 100/55°C protection IP65 with cover cap		
accessories for	347706		
	Part No.	301036	Ref. No.
			—
	protective cover internal size 30x22mm for rocker switch mounting measurementsmm		



microswitches

universal



Part No.	348043	Ref. No.	05001397500
description	microswitch with plunger 250V 16A 1CO connection male faston 6.3mm Lmm L1 27.8mm ambient temperature max. 125°C mounting distance 22mm with lever set type MS1-16 actuating force: 100g white		

magnetic switches

miscellaneous



Part No.	348039	Ref. No.	30800016
description	magnetic switch 1NO connection cable L 65mm L1 38mm L2 64mm mounting distance 50mm for door		



Part No.	348245	Ref. No.	30800017
description	magnetic switch 1NO L 65mm W 25mm H 28mm connection cable cable length 1150mm		

encoders and potentiometers



Part No.	403484	Ref. No.	20900026
description	encoder shaft L 10mm cable length 90mm shaft 6mm		

lamps

screw-on/push-on fit

halogen lamp

for socket G4 / G6.35 / G9



Part No.	359596	Ref. No.	065044
description	halogen lamp socket G4 12V 10W temp.-resist. 500°C		

oven lamps

lamps

halogen lamps

for socket G4 / G6.35 / G9



Part No.	359596	Ref. No.	065044
description	halogen lamp socket G4 12V 10W temp.-resist. 500°C		

alarm devices

alarm units



Part No.	353000	Ref. No.	30800047
description	alarm device 2 hole fixing		

contactors

ABB

power contactors



Part No.	381263	Ref. No.	061246
description	power contactor resistive load 30A 24VAC (AC3/400V) 17A/7.5kW main contacts 4NO auxiliary contacts connection screw connection type A16-40-00		

1 electric components



solid state relays

CELDUC



1

Part No.	402974	Ref. No.	30800037
description	solid state relay CELDUC 2 phase 50A 24-600V 10-30VDC L 58mm W 45mm plug screw type SOB965660		



1

Part No.	381228 ¹	Ref. No.	30800054
description	core temperature probe thermocouple K (NiCr-Ni) cable PTFE probe -50 up to 1150°C cable -40 up to +250°C connection plug probe ø4x-128mm thread cable length 1.5m handle ømm handle length 50mm		

¹multipoint probe

probes

producer-specific probes

probes



1

Part No.	378685	Ref. No.	20800173
description	temperature probe cable glass fibre probe 350°C connection 2-wire thread M8 probe ø3.5x26mm cable length 0.64m		



1

Part No.	381229	Ref. No.	20800174
description	temperature probe Pt100 cable Vetrotex probe -100 up to 450°C cable -50 up to +350°C connection 2-wire thread probe ø3.5x170mm cable length 0.4m -50 up to +350°C		

core probes



1

Part No.	381267 ¹	Ref. No.	30800053
description	core temperature probe Pt100 cable PTFE probe -40 up to +250°C cable -40 up to +250°C connection plug probe ø4x100mm thread cable length 1m handle ømm handle length 50mm		

¹multipoint probe

electronics

frequency converters




1

Part No.	403483	Ref. No.	20800211
description	frequency converter 200-240V 50/60Hz L 125mm W 43mm H 144mm output frequency 0-250Hz 6.9A output current 2.2A		




1

Part No.	403907	Ref. No.	30800098
description	frequency converter with heat sink 200-240V 50/60 L 128mm W 45mm H 146.5mm output frequency 0-250Hz 1.4A		

1


Part No.	403482	Ref. No.	20800084
description	frequency converter with heat sink 200-240V 50/60Hz output frequency 0-250Hz 10.8A output current 4.3A		



1


Part No.	404024	Ref. No.	20900002
description	main PCB combi-steamer Visual Cooking L 348mm W 100mm type 20 90 0002 Rev:2.2		

PCBs



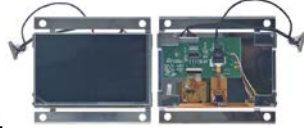
1

Part No.	404020	Ref. No.	30900059
description	display combi-steamer Slim/Visual Cooking L 10.4mm W 144mm TFT		
accessories for	404020		
	Part No.	Ref. No.	30900013
	ribbon cable L 120mm for display		




1

Part No.	404021	Ref. No.	30900008
description	PCB combi-steamer Visual Cooking W 140mm for combi-steamer H 140mm type Ver 1.67		




1

Part No.	403950	Ref. No.	30920049
description	touch panel L 169mm W 150mm suitable for Visual Cooking suitable for HOUNO display 7"		



1

Part No.	404022	Ref. No.	30900014
description	display PCB combi-steamer Visual Cooking L 133mm W 139mm		




1

Part No.	403913	Ref. No.	30900054
description	display PCB L 140mm W 135mm suitable for HOUNO B/C/K Ver3.51		

solenoid valves

solenoid valves (water)



RPE



1


Part No.	370760	Ref. No.	30520037
description	solenoid valve double straight 24VAC inlet 3/4" outlet 10mm DN10 t.max. 90°C plastic output B yesl/min flow regulating valve outlet B white		
spare parts for	370760		
	Part No.	Ref. No.	—
	solenoid coil RPE 24VAC		




			
1			
Part No.	370758	Ref. No.	30520192
description	solenoid valve double straight 24VAC inlet 3/4" outlet 10mm input 10-12l/min DN10 t.max. 90°C plastic output B 1-1.25l/min flow regulating valve outlet B white		
spare parts for	370758		
	Part No.	370774	Ref. No. —
	solenoid coil RPE 24VAC		

solenoid valves with reducers


single

			
1			
Part No.	370761	Ref. No.	30520034
description	solenoid valve single straight 24VAC inlet 3/4" outlet 11mm DN10 t.max. 90°C plastic output A yesl/min flow regulating valve outlet B white		

3-fold

			
1			
Part No.	370764	Ref. No.	30520180
description	solenoid valve triple straight 24V inlet 3/4" outlet 10mm DN10 t.max. 60°C TP output C 1.2l/min flow regulating valve outlet C white		


4-fold

			
1			
Part No.	370762	Ref. No.	30520181
description	solenoid valve 4-fold with sensor 24V inlet 3/4" outlet 10.5mm t.max. 90°C reducer output D 1.20l/min flow regulating valve outlet D white		


pressure switches

for combi-steamers

			
1			
Part No.	543032	Ref. No.	32720056
description	differential pressure switch pressure range 0.2-1.5mbar pressure connection ø 4.7mm DUNGS protection IP54 ambient temperature max. -10 up to +85°C		

			
1			
Part No.	348047	Ref. No.	30220071
description	pressure control pressure range 0-3mbar complete connection 6mm p max 0.025bar pressure connection 6mm		

accessories

			
1			
Part No.	699639	Ref. No.	059005
description	hose plastic ID ø 6mm ED ø 9mm food-safe		

fans

axial fans

ebm-papst

			
1			
Part No.	601458 ¹	Ref. No.	06600074000
description	axial fan L 119mm W 119mm H 38mm 230VAC 50Hz 19W bearing ball bearing manuf. no. 4656N metal connection male faston 2.8mm ebm-papst fan wheel ø 110mm temp.-resist. 85°C		
accessories for	601458		
	Part No.	692497	Ref. No. —
	guard ø 105mm mounting distance 150mm for axial fan ebm-papstmm		

¹with ball bearings



hot air motors



Part No.	696843	Ref. No.	30700022
description	bush with spring ø 14mm ED ø 20mm H 12mm ID ø 8mm		

pumps

drain pumps

HANNING



Part No.	501441	Ref. No.	20520270 20700034
description	drain pump 38W 200-240V inlet ø 24mm outlet ø 24mm 50/60Hz HANNING max. 15min reinforced version break time 45min input current 0.4A		



Part No.	501561	Ref. No.	05800010050
description	drain pump 38W 200-240V inlet ø 30mm outlet ø 24mm 50/60Hz type DP25R-396 HANNING		

vibration pumps



Part No.	501592	Ref. No.	20500050
description	vibration pump 24V 47W 50Hz inlet ø 7 outlet ø 1/8" CEME type E50701 L 124mm		

condensators & interference suppression filters

operating capacitors

plastic



Part No.	365170	Ref. No.	05000340000
description	capacitor capacity 2µF 425V tolerance 5% 50/60Hz ambient temperature max. -25 to +85°C ø 25mm L 49mm M8 plastic connection cable 250mm 416.17.74 protection		

HV capacitors

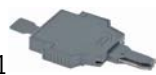


Part No.	365183	Ref. No.	06600380000
description	HV capacitor for microwave 1.2µF type CH85-23120 2300V 50/60Hz double connection male faston 6.3mm L 108mm H 38mm W 66mm dependent on equipment aluminium Qty 1 pcs		

fuses

fine fuses

fine fuse holders



Part No.	358192	Ref. No.	20800115
description	fuse holder suitable fuse 5x20/5x25mm 6.3A rated 250V		

HV fuses



Part No.	358169	Ref. No.	06600490010
description	HV fuse 0.8A slow-acting rated 5000V Qty 1 pcs		



electric accessories

plugs - couplings - power sockets

CEE plugs with cable



1

Part No.	551201	Ref. No.	05000024000
description	connecting cable CEE 5-pole contacts 3P+N+E max. 16A max 400V 2.5mm ² 2m H07 RN-F with plug		

cables

accessories

cable glands

threaded cable glands

screw connections



1

Part No.	530431	Ref. No.	05002815000
description	cable gland thread PG13.5 cable ø 12mm mounting ø 21mm Qty 1 pcs plastic WS 24		

ribbon cables

group 10



1

Part No.	698525	Ref. No.	30900013
description	ribbon cable L 120mm for display		

terminals

rail-mounted terminals

miscellaneous



1

Part No.	551281	Ref. No.	20800122
description	rail-mounted terminal max 400V connection plug-in connection 4-pole max. 10A cross section 4mm ²		

gas valves and ignition boxes

gas control valves

DUNGS



1

Part No.	371331	Ref. No.	32700170
description	solenoid coil 230VAC seat ø 10.5mm L 58mm W 37mm H 40.5mm		

ignition parts

ignition units



1

Part No.	107895	Ref. No.	32700166
description	ignition unit outputs 1 220-240VAC dimensions 84x62x38mm mounting distance 58mm inlet F6.3x0.8 outlet 4 type TRK2-30PFVD 69VA 50/60Hz protection IP54		

gas burners

accessories

gaskets



1

Part No.	514531	Ref. No.	32700045
description	gasket graphite ED ø 117mm ID ø 94mm thickness 1.7mm Qty 1 pcs		

accessories



1

Part No.	107896	Ref. No.	32700090
description	manifold gas L 118mm brass thread conical suitable for HOUNO combi-steamer		



equipmentspecific units

for convection ovens/combi-steamers

drain units

drip rails



1

Part No.	696848	Ref. No.	30410005
description	drip rail L 500mm stainless steel W 26mm for combi-steamer		



1


Part No.	696819	Ref. No.	30420152
description	drip rail L 553mm stainless steel W 26mm for combi-steamer		



1

Part No.	696818	Ref. No.	30410026
description	drip rail L 760mm stainless steel W 26mm for combi-steamer		

injection nozzles



1

Part No.	542437	Ref. No.	059216
description	injection nozzle bore \varnothing 1.1mm D1 \varnothing 11mm L 23mm WS 12 SS for combi-steamer thread 1/8" ET conical		

pipes



1

Part No.	521199	Ref. No.	30500013
description	pipe L 360mm \varnothing 25mm for combi-steamer stainless steel		

doors




1

Part No.	698528	Ref. No.	30420020
description	door glass suitable for HOUNO H 584mm W 692mm		

door mechanics

accessories



1

Part No.	696817	Ref. No.	30400048
description	cover W 25mm hole \varnothing 6.2mm L 70mm		




1

Part No.	701648	Ref. No.	064872
description	gas tension spring for combi-steamer 150N D1 \varnothing 15mm D2 \varnothing 6mm hole distance 255mm hole \varnothing 6mm L 265mm		



1

Part No.	701649	Ref. No.	064874
description	gas tension spring for combi-steamer 250N D1 \varnothing 15mm D2 \varnothing 6mm hole distance 255mm hole \varnothing 6mm L 268mm		



1

Part No.	542439	Ref. No.	30400027
description	torsion spring \varnothing 13mm L2 12mm wire gauge \varnothing 2mm L1 12mm L3 12mm Qty 1 pcs		



vibration pumps



1

Part No.	501592	Ref. No.	20500050
description	vibration pump 24V 47W 50Hz inlet \varnothing 7 outlet \varnothing 1/8" CEME type E50701 L 124mm		

miscellaneous



1

Part No.	698521	Ref. No.	20400238
description	plug L 35.4mm \varnothing 13mm		

locks

handle latches





universal



inside fixing

locks



1

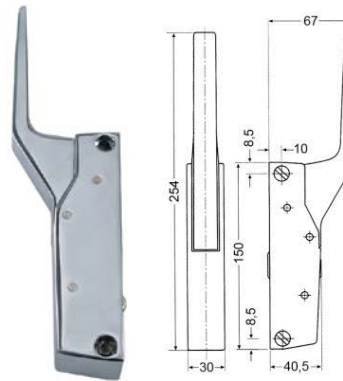
Part No.	694054	Ref. No.	04000470000
description	door handle for headed units L 145mm W 40mm H 62mm spring length 33mm inner black		
spare parts for	694054		
	Part No.	514390	Ref. No. 069023
	spring for door handle \varnothing 6mm L 54mm W 27.5mm		
	Part No.	694675	Ref. No. —
	door catch L 88mm W 40mm H 37mm spring length 33mm mounting distance 60mm		
	Part No.	694734	Ref. No. —
	door handle L 165mm W 40mm H 25mm black		
	Part No.	694735	Ref. No. —
	cap \varnothing 32mm black		
accessories for	694054		
	Part No.	691123	Ref. No. —
	duct for door opener		
	Part No.	694055	Ref. No. —
	door catch L 25mm W 14mm total length 54mm thread M8 thread L 29mm		

accessories for	694054		
	Part No.	694066	Ref. No. 069020
	door catch with spigot 2-stage L 28mm W 14mm H 15mm H1 16mm total length 51mm thread M8 thread L 23mm stainless steel		
	Part No.	694067	Ref. No. 04000410000
	door catch with spigot 1-stage L 26mm total length 51mm thread M8		



edgemoount latches

handle latches

CAFF/FERMOD



1


Part No.	700060	Ref. No.	05000463000
description	handle latch L 150mm mounting distance 133mm non lockable heated units G 791		
accessories for	700060		
	Part No.	700061	Ref. No. 05002062000
	door catch L 58mm W 20mm H 35mm mounting distance 42mm chrome-plated brass for headed units		
	Part No.	700062	Ref. No. —
	handle protection heated units		

door catches




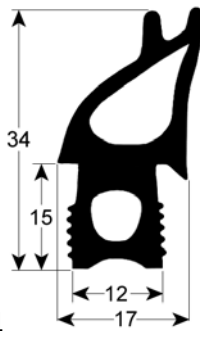
1

Part No.	690123	Ref. No.	05002066000 MK3
description	door catch H 69mm D 37mm W 20mm mounting distance 43mm with roller		

1

Part No.	700061	Ref. No.	05002062000
description	door catch L 58mm W 20mm H 35mm mounting distance 42mm chrome-plated brass for headed units		
accessories for	700061		
	Part No.	690414	Ref. No. —
	handle latch L 150mm mounting distance 133mm non lockable refrigeration units G 791		



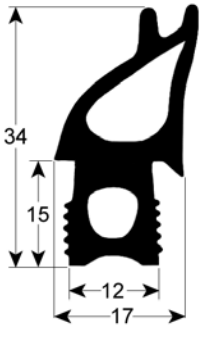
1

Part No.	901386	Ref. No.	30300136
description	door seal profile 2735 W 490mm L 820mm external size Qty 1		

gaskets

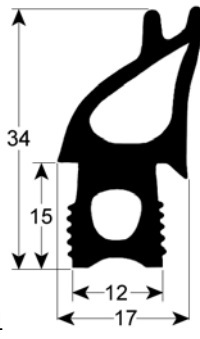
gaskets for heated units

door seals



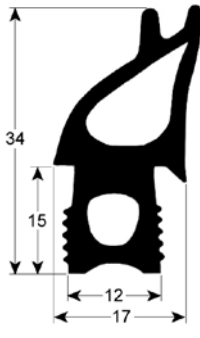
1

Part No.	901387	Ref. No.	30300134
description	door seal profile 2735 W 490mm L 550mm external size Qty 1 dark grey		



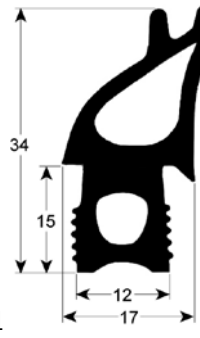
1

Part No.	902540	Ref. No.	30300137
description	door seal profile 2735 W 491mm L 947mm outer plug size Qty 1		



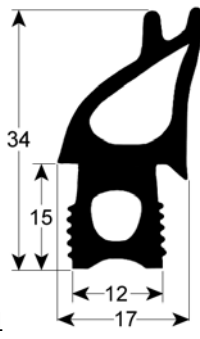
1

Part No.	902106	Ref. No.	30300135
description	door seal profile 2735 W 490mm L 690mm external size Qty 1		



1

Part No.	901854	Ref. No.	30300139
description	door seal profile 2735 W 495mm L 1470mm outer plug size suitable for HOUNO		



1

Part No.	902536	Ref. No.	30300187
description	door seal profile 2735 W 558mm L 683mm outer plug size Qty 1		



Part No.	901855	Ref. No.	30300142
description	door seal profile 2735 W 682mm L 1470mm Qty 1 suitable for HOUNO		

Part No.	902538	Ref. No.	30300141
description	door seal profile 2735 W 683mm L 1080mm outer plug size Qty 1		

Part No.	902537	Ref. No.	30300140
description	door seal profile 2735 W 683mm L 819mm outer plug size Qty 1		

Part No.	902534	Ref. No.	30300182
description	door seal profile 2739 L 1464mm Qty 1 suitable for HOUNO		

Part No.	902535	Ref. No.	30300183
description	door seal profile 2739 L 1845mm Qty 1 suitable for HOUNO		

gaskets for tray rack trolleys

Part No.	902521	Ref. No.	30420224
description	tray rack trolley gasket with front panel L 760mm Qty 1 suitable for combi-steamer HOUNO 2.20		

O-rings

EPDM

ø2.00mm

Part No.	361080	Ref. No.	05001658000
description	O-ring EPDM thickness 2mm ID ø 16mm Qty 1 pcs		

ø2.62mm

Part No.	532453	Ref. No.	32700106
description	O-ring EPDM thickness 2.62mm ID ø 21.89mm Qty 1 pcs		

sealing washers

graphite gaskets

Part No.	514531	Ref. No.	32700045
description	gasket graphite ED ø 117mm ID ø 94mm thickness 1.7mm Qty 1 pcs		



special gaskets

for combi-steamers



1

Part No.	699628	Ref. No.	30100147
description	gasket suitable for HOUNO combi-steamer mounting pos. for lens ED ø 83mm ID ø 52mm Viton thickness 3mm		

miscellaneous



1

Part No.	514531	Ref. No.	32700045
description	gasket graphite ED ø 117mm ID ø 94mm thickness 1.7mm Qty 1 pcs		



1

Part No.	511653	Ref. No.	20600007
description	gasket silicone L 82mm W 82mm thickness 3mm		



1

Part No.	698524	Ref. No.	32700059
description	gasket W 37.2mm L 60mm combi-steamer suitable for HOUNO thickness 4mm		

springs

torsion springs



1

Part No.	542439	Ref. No.	30400027
description	torsion spring ø 13mm L2 12mm wire gauge ø 2mm L1 12mm L3 12mm Qty 1 pcs		

gas tension springs

gas tension springs



1

Part No.	701648	Ref. No.	064872
description	gas tension spring for combi-steamer 150N D1 ø 15mm D2 ø 6mm hole distance 255mm hole ø 6mm L 265mm		



1

Part No.	701649	Ref. No.	064874
description	gas tension spring for combi-steamer 250N D1 ø 15mm D2 ø 6mm hole distance 255mm hole ø 6mm L 268mm		

hose reels and spray guns

spray guns



1

Part No.	542038	Ref. No.	059959
description	spray gun for appliances 3/8" IT L 135mm		



1

Part No.	545180	Ref. No.	059013
description	hose for spray gun black 5.5 ED ø 8mm		

dosing pumps

accessories

hose couplings

metal




1

Part No.	361506	Ref. No.	05108002600
description	screw pipe fitting angled nickel-plated brass thread 1/8" hose ø 6/8mm Qty 1 pcs		




1

Part No.	361504	Ref. No.	05108002500
description	screw pipe fitting straight nickel-plated brass thread 1/4" hose ø 6/8mm Qty 1 pcs		





1

Part No.	361500	Ref. No.	05108002800
description	screw pipe fitting straight nickel-plated brass thread 1/8" hose ø 6/8mm Qty 1 pcs		




1

Part No.	361502	Ref. No.	016821
description	screw pipe fitting straight nickel-plated brass thread 3/8" ET hose ø 6x8mm		
accessories for	361502		
	Part No.	532533	Ref. No. —
	O-ring EPDM thickness 1.5mm ID ø 17mm Qty 1 pcs		

hoses

industrial hoses

nylon hoses

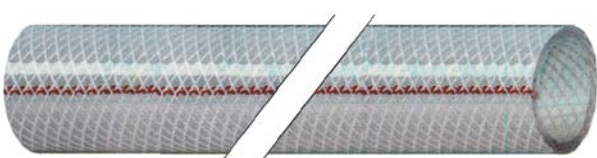


1

Part No.	570146	Ref. No.	30500498
description	nylon hose ID ø 4mm ED ø 6mm L 1m operating p. 10bar burst p. 50bar t.max. 100°C blue		

PVC hoses

PVC braided hoses




1

Part No.	530565	Ref. No.	05002075000
description	PVC braided hose ID ø 13mm ED ø 19mm L 10m operating p. 10bar burst p. 30bar t.max. 60°C Qty 10m		

silicone hoses

without fabric




1

Part No.	570109	Ref. No.	04000300150
description	silicone hose ID ø 12mm ED ø 18mm L 1m thickness 3mm operating pressure without pressure burst pressure non defined t.max. 200°C		

with fabric

with monofilament braid



1

Part No.	530542	Ref. No.	059963 30500065
description	silicone hose with monofilament braid ID ø 10mm ED ø 17mm L 5m thickness 3.5mm operating p. 4bar burst pressure at 95°C non definedbar burst pressure 130°C non definedbar t.max. 200°C Qty 5m		

formed hoses

straight




1

Part No.	504871	Ref. No.	30500012
description	formed hose ext. ø 34 ID ø 24mm rubber black Qty 1		

fittings, hose and pipe connectors


hose connectors

nickel-plated brass




1

Part No.	361504	Ref. No.	05108002500
description	screw pipe fitting straight nickel-plated brass thread 1/4" hose ø 6/8mm Qty 1 pcs		






1

Part No.	361500	Ref. No.	05108002800
description	screw pipe fitting straight nickel-plated brass thread 1/8" hose ø 6/8mm Qty 1 pcs		



1


Part No.	361502	Ref. No.	016821
description	screw pipe fitting straight nickel-plated brass thread 3/8" ET hose ø 6x8mm		
accessories for	361502		
	Part No.	532533	Ref. No. —
	O-ring EPDM thickness 1.5mm ID ø 17mm Qty 1 pcs		



1

Part No.	361506	Ref. No.	05108002600
description	screw pipe fitting angled nickel-plated brass thread 1/8" hose ø 6/8mm Qty 1 pcs		

stainless steel



1

Part No.	542438	Ref. No.	059147
description	hose connector thread 1/8" hose ø 6mm SS		


push-in fittings

JOHN GUEST




1

Part No.	440020	Ref. No.	05108003600
description	push-in fitting John Guest straight pipe connection ø6mm grommet ø 8mm		
accessories for	440020		
	Part No.	520971	Ref. No. —
	hose thickness 1mm LLDPE blue ID ø 4mm ED ø 6mm operating pressure at 20°C 16bar		



1

Part No.	440671	Ref. No.	05108001021
description	push-in fitting John Guest angled pipe connection ø8mm grommet ø 8mm		
accessories for	440671		
	Part No.	520972	Ref. No. —
	hose John Guest thickness 1mm LLDPE blue ID ø 6mm ED ø 8mm		




1

Part No.	440611	Ref. No.	05108001040
description	push-in fitting John Guest straight pipe connection ø15mm - ø15mm		

ancillary products


clamps

double wire clamps




1

Part No.	505364	Ref. No.	04100000005
description	wire clamp ø 17.7-18.7mm wire gauge ø 1.9mm zinc-coated steel Qty 50 pcs		



1

Part No.	505379	Ref. No.	04100000010
description	wire clamp ø 31.8-33.4mm wire gauge ø 2.8mm zinc-coated steel Qty 20 pcs		



1

Part No.	505385	Ref. No.	04100000030
description	wire clamp ø 38.5-40.5mm wire gauge ø 3.2mm zinc-coated steel Qty 20 pcs		



1

Part No.	505394	Ref. No.	04100000050
description	wire clamp ø 52.7-55.4mm wire gauge ø 3.5mm zinc-coated steel Qty 10 pcs		

fastening material

screws

countersunk screws



1

Part No.	560337	Ref. No.	055620
description	countersunk screw thread M6 L 20mm WS 4 SS DIN 7991/ISO 10642 Qty 1 pcs intake hexagonal		

side bolts



1

Part No.	560052	Ref. No.	055511 055514
description	side bolts thread M5 L 10mm SS Qty 20 pcs intake slotted head ø 12.5mm		

nuts

hexagonal nuts

DIN 934 / ISO 4032/8673



1

Part No.	560129	Ref. No.	056500
description	hexagonal nut thread M5 H 4mm WS 8 SS DIN/ISO DIN 934 / ISO 4032/8673 Qty 1 pcs		

fasteners

clamps

double wire clamps



1

Part No.	505364	Ref. No.	04100000005
description	wire clamp ø 17.7-18.7mm wire gauge ø 1.9mm zinc-coated steel Qty 50 pcs		



1

Part No.	505379	Ref. No.	04100000010
description	wire clamp ø 31.8-33.4mm wire gauge ø 2.8mm zinc-coated steel Qty 20 pcs		



1

Part No.	505385	Ref. No.	04100000030
description	wire clamp ø 38.5-40.5mm wire gauge ø 3.2mm zinc-coated steel Qty 20 pcs		



1

Part No.	505394	Ref. No.	04100000050
description	wire clamp ø 52.7-55.4mm wire gauge ø 3.5mm zinc-coated steel Qty 10 pcs		

consumables

fuses

fine fuses

fine fuse holders



1

Part No.	358192	Ref. No.	20800115
description	fuse holder suitable fuse 5x20/5x25mm 6.3A rated 250V		



HV fuses



Part No.	358169	Ref. No.	06600490010
description	HV fuse 0.8A slow-acting rated 5000V Qty 1 pcs		

GASTROPARTS.COM



© 2020 Gastroparts Sp. J. All rights reserved.