



**GASTROPARTS**

# Gierre

**[EN]** Cooking

**[DE]** Kochtechnik

**[ES]** Cocción

**[FR]** Cuisson

**[IT]** Cottura

**[PL]** Obróbka termiczna

**[RU]** Термическая обработка

✉ [gastroparts@gastroparts.com](mailto:gastroparts@gastroparts.com)

☎ tel. +48 56 657 00 66

📘 [fb.com/gastroparts.global](https://fb.com/gastroparts.global)

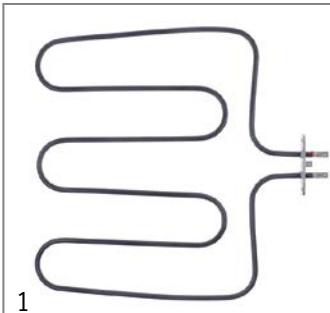
**GASTROPARTS.COM**





## heating elements

## heating elements for ovens



<b>Part No.</b>	418792	<b>Ref. No.</b>	RES155
<b>description</b>	heating element 1400W 230V heating circuits 1 L 315mm W 320mm L1 55mm L2 260mm W1 150mm W2 30mm flange length 70mm flange width 22mm hole distance 56mm hole ø 4.2mm tube ø 6.3mm connection male faston 6.3mm rectangular flange		

## heating elements for convection



<b>Part No.</b>	418998	<b>Ref. No.</b>	KITRES230
<b>description</b>	heating element 3000W 230V heating circuits 1 ID ø 182mm ED ø 195mm L 245mm H 52mm L1 45mm W1 30mm H1 25mm H2 27mm flange length 70mm flange width 22mm hole distance 56mm connection male faston 6.3mm connection length 44mm tube ø 6.2mm convection heating element hole ø 5mm		



<b>Part No.</b>	418503	<b>Ref. No.</b>	RES101
<b>description</b>	heating element 7500W 230V heating circuits 3 ID ø 305mm ED ø 315mm L 350mm H 106mm L1 27mm W1 105mm H1 16mm H2 90mm flange length 142mm flange width 25mm hole distance 63mm connection M4 connection length 72mm tube ø 6.5mm convection heating element hole ø 6.3mm rectangular flange		

## energy regulators

## EGO

## 1-circuit



<b>Part No.</b>	380015	<b>Ref. No.</b>	SIM123
<b>description</b>	energy regulator 230V 13A single-circuit turn direction right shaft ø 6x4.6mm shaft L 23mm mounting thread M4 power release 6-100% no. 50.57021.010		

## thermostats

## control and safety thermostats

## EGO

## control thermostats

## 55.10/19\_ series



<b>Part No.</b>	375652	<b>Ref. No.</b>	TER114
<b>description</b>	thermostat t.max. 266°C temperature range 50-255°C 1-pole 1NO 16A probe ø 3mm probe L 219mm capillary pipe 900mm capillary pipe isolated 350mm gland nut M10x1 shaft ø 6x4.6mm shaft L 23mm shaft position upper rotation 270°		



<b>Part No.</b>	375664	<b>Ref. No.</b>	TER109
<b>description</b>	thermostat t.max. 287°C temperature range 60-287°C 1-pole 1NO 16A probe ø 3.1mm probe L 226mm capillary pipe 1470mm capillary pipe isolated 350mm gland nut shaft ø 6x4.6mm shaft L 23mm shaft position upper rotation 270°		




1

<b>Part No.</b>	375860	<b>Ref. No.</b>	TER202.05015 TER205.05015
<b>description</b>	thermostat t.max. 289°C temperature range 57-289°C 1-pole 1NO 16A probe ø 3.1mm probe L 226mm capillary pipe 1780mm capillary pipe isolated 1770mm gland nut shaft ø 6x4.6mm shaft L 23mm shaft position upper° rotation 270° probe material SS		

safety thermostats

55.10/19\_ series




1

<b>Part No.</b>	375807	<b>Ref. No.</b>	TER116
<b>description</b>	safety thermostat switch-off temp. 320°C 1-pole 16A probe ø 6mm probe L 77mm capillary pipe 870mm capillary pipe isolated 660mm gland nut M10x1 probe		

switches and momentary switches

push/momentary push switches

ø25mm




1

<b>Part No.</b>	345160 <sup>1</sup>	<b>Ref. No.</b>	INT123
<b>description</b>	push switch mounting ø 25mm red 2NO 250V 16A illuminated connection male faston 6.3mm ambient temperature max. 85°C protection IP40		

<sup>1</sup>illuminated

microswitches

lever actuated




1

<b>Part No.</b>	345044	<b>Ref. No.</b>	MIC500
<b>description</b>	microswitch with lever 250V 16A 1CO connection male faston 6.3mm ambient temperature max. 85°C mounting distance 25mm type C99ZP3 actuating force: 25g lever length 71mm		

pin-plunger actuated

M12




1

<b>Part No.</b>	345694	<b>Ref. No.</b>	MIC209
<b>description</b>	microswitch with plunger mounting distance 25mm thread M12x1 thread L 14mm 250V 16A 1CO connection screw stroke 4mm L 49mm ambient temperature max. 125°C type MS10 actuating force: 350g		

cam switches

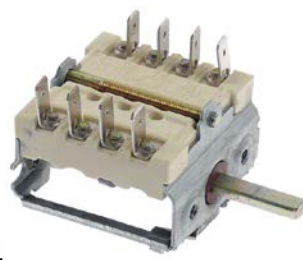
on/off



1

<b>Part No.</b>	300129	<b>Ref. No.</b>	COM123
<b>description</b>	cam switch 2 operating positions 2NO sequence 0-1 16A shaft ø 6x4.6mm shaft L 23mm connection male faston 6.3mm ceramic		

3 operating positions



1

<b>Part No.</b>	301315	<b>Ref. No.</b>	COM140
<b>description</b>	cam switch 3 operating positions 4NO sequence 1-0-2 16A shaft ø 6x4.6mm shaft L 23mm connection male faston 6.3mm 49.44915.712 ceramic		



## rotary switches

BREMAS

A1200 series



1

Part No.	346600	Ref. No.	COM160
----------	--------	----------	--------

description	
-------------	--

## lamps

## indicator lights

indicator lights (complete)

ø10mm

with plug-in socket



1

Part No.	359139	Ref. No.	SEG311 XSEG311
----------	--------	----------	-------------------

description	indicator light ø 10mm green 230V connection male faston 6.3mm Qty 1 pcs
-------------	--



1

Part No.	359140	Ref. No.	SEG312 XSEG312
----------	--------	----------	-------------------

description	indicator light ø 10mm yellow 230V connection male faston 6.3mm Qty 1 pcs
-------------	---

## screw-on/push-on fit

halogen lamp

for socket G4 / G6.35 / G9



1

Part No.	359599	Ref. No.	LAM125
----------	--------	----------	--------

description	halogen lamp socket G4 12V 20W temp.-resist. 500°C
-------------	--

## oven lamps

lamps

halogen lamps

for socket G4 / G6.35 / G9



1

Part No.	359599	Ref. No.	LAM125
----------	--------	----------	--------

description	halogen lamp socket G4 12V 20W temp.-resist. 500°C
-------------	--

sockets

G4 / G5,3 / G6,35



1

Part No.	359369	Ref. No.	POR150/3
----------	--------	----------	----------

description	lamp socket socket G4/G5.3/G6.35 24V ø 17mm H 10mm connection cable 120mm mounting distance 11.5mm for halogen lamp cable length 730mm
-------------	--

## timers

## programme timers



1

Part No.	360633	Ref. No.	TEM105
----------	--------	----------	--------

description	time switch kit 14000F3 operation time 120min impulse electric shaft ø 6x4.6mm shaft L 20mm CDC 230V engines 1 chambers 2
-------------	---




1

Part No.	360627	Ref. No.	TEM115
----------	--------	----------	--------

description	timer FIBER P255J03H9U3c engines 1 chambers 3 operation time 6min 230V 50/60Hz shaft ømm shaft Lmm motor type M51BJ0R00AA
-------------	---




electric timers



1


<b>Part No.</b>	350194	<b>Ref. No.</b>	TEM160
<b>description</b>	timer MS65 with bell operation time 60min time spreadmin 2NO at 250V 16A permanent position yes impulse electric shaft ø 6x4.6mm shaft L 23mm mounting distance 29mm mounting thread M4 connection male faston 6.3mm Invensys 230V voltage AC 2-pole		



1

<b>Part No.</b>	380714	<b>Ref. No.</b>	TEL145
<b>description</b>	power contactor resistive load 25A 230VAC (AC3/400V) 9A/4.2kW main contacts 3NO auxiliary contacts 1NO connection screw connection type BF0910A230		

mechanical timers




1

<b>Part No.</b>	350061	<b>Ref. No.</b>	TEM1243 ZTEM1243
<b>description</b>	timer DTJ with bell 2-pole operation time 120min impulse mechanical 2NO at 250V 16A permanent position yes shaft ø 6x4.6mm shaft 6x4.6mm shaft L 24mm mounting distance 28mm connection lateral		

relays

level relays

GICAR




1

<b>Part No.</b>	401224	<b>Ref. No.</b>	PRO065/1
<b>description</b>	level relay 230V connection F6.3 type RL30/3ES/F/G		

alarm devices

buzzer boards




1

<b>Part No.</b>	401062	<b>Ref. No.</b>	TEM105/1
<b>description</b>	buzzer board 230VAC L 48mm W 45mm connection Faston 6.3mm		

solenoid valves

solenoid valves (water)

RPE




1

<b>Part No.</b>	370379	<b>Ref. No.</b>	VAL110
<b>description</b>	solenoid valve double straight 230VAC inlet 3/4" outlet 1/4" DN10 RPE plastic inlet 3/4"mm		

contactors

LOVATO


power contactors







1


<b>Part No.</b>	380083	<b>Ref. No.</b>	TEL144
<b>description</b>	power contactor resistive load 25A 230VAC (AC3/400V) 9A/4.2kW main contacts 3NO auxiliary contacts 1NC connection screw connection type BF0901A230		





TP			
 			
<b>Part No.</b>	370025	<b>Ref. No.</b>	VAL1000
<b>description</b>	solenoid valve triple straight 230VAC inlet 3/4" outlet 11.5mm DN10 TP		
<b>spare parts for</b>	370025		
	<b>Part No.</b>	371013	<b>Ref. No.</b> —
	solenoid coil TP 230VAC 50/60Hz		
<b>accessories for</b>	370025		
	<b>Part No.</b>	371220	<b>Ref. No.</b> —
	reducer TP flow rate 3l/min red tolerance ±15%		
	<b>Part No.</b>	371221	<b>Ref. No.</b> —
	reducer TP flow rate 5.5l/min yellow tolerance ±15%		
	<b>Part No.</b>	371222	<b>Ref. No.</b> —
	reducer TP flow rate 6l/min grey tolerance ±15%		
	<b>Part No.</b>	371223	<b>Ref. No.</b> —
	reducer TP flow rate 10l/min white tolerance ±15%		
	<b>Part No.</b>	371224	<b>Ref. No.</b> —
	reducer TP flow rate 12l/min bronze tolerance ±15%		
	<b>Part No.</b>	371225	<b>Ref. No.</b> —
	reducer TP flow rate 16l/min light brown tolerance ±15%		
	<b>Part No.</b>	371226	<b>Ref. No.</b> —
	reducer TP flow rate 20l/min red tolerance ±15%		
	<b>Part No.</b>	371230	<b>Ref. No.</b> —
	reducer TP flow rate 0.25l/min red tolerance ±25%		
	<b>Part No.</b>	371231	<b>Ref. No.</b> —
	reducer TP flow rate 0.35l/min violet tolerance ±25%		
	<b>Part No.</b>	371232	<b>Ref. No.</b> —
	reducer TP flow rate 0.5l/min orange tolerance ±25%		
	<b>Part No.</b>	371233	<b>Ref. No.</b> —
	reducer TP flow rate 0.8l/min white tolerance ±25%		
	<b>Part No.</b>	371234	<b>Ref. No.</b> —
	reducer TP flow rate 1l/min light blue tolerance ±25%		
	<b>Part No.</b>	371235	<b>Ref. No.</b> —
	reducer TP flow rate 1.2l/min brown tolerance ±25%		
	<b>Part No.</b>	371236	<b>Ref. No.</b> —
	reducer TP flow rate 1.5l/min light brown tolerance ±25%		

accessories for 370025			
	<b>Part No.</b>	371237	<b>Ref. No.</b> —
	reducer TP flow rate 2.5l/min yellow tolerance ±25%		
	<b>Part No.</b>	371238	<b>Ref. No.</b> —
	reducer TP flow rate 3.4l/min dark green tolerance ±25%		
	<b>Part No.</b>	371239	<b>Ref. No.</b> —
	reducer TP flow rate 5l/min black tolerance ±25%		
	<b>Part No.</b>	371240	<b>Ref. No.</b> —
	reducer TP flow rate 8l/min blue tolerance ±20%		

### ball valves electric

			
<b>Part No.</b>	403042	<b>Ref. No.</b>	VAL550
<b>description</b>	ball valve inlet 3/4" IT outlet 3/4" IT 230V L 68mm closed off-current mode of operation electric connection cable 400mm		

### electrodes

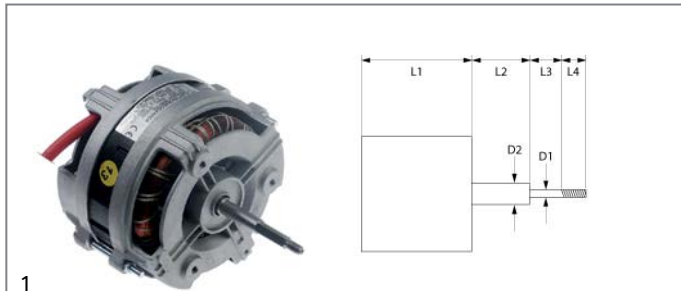
			
<b>Part No.</b>	400260	<b>Ref. No.</b>	PRO065/2
<b>description</b>	level electrode 1/4" total length 220mm probe L 195mm insulated probe length 185mm PTFE insulated connection male faston 6.3mm stainless steel ø 2.5mm		
<b>accessories for</b>	400260		
	<b>Part No.</b>	521003	<b>Ref. No.</b> —
	nut thread 1/4" H 6.3mm chrome-plated brass WS 20 Qty 1 pcs		






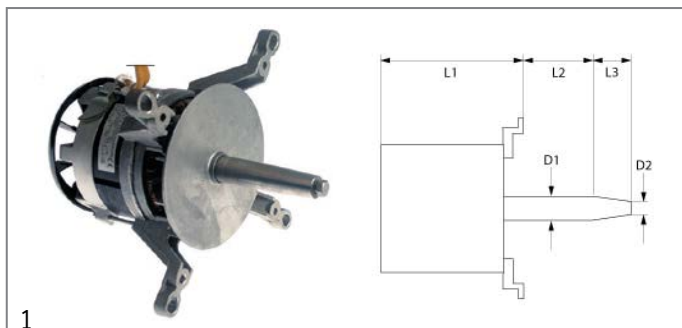
fans

hot air motors



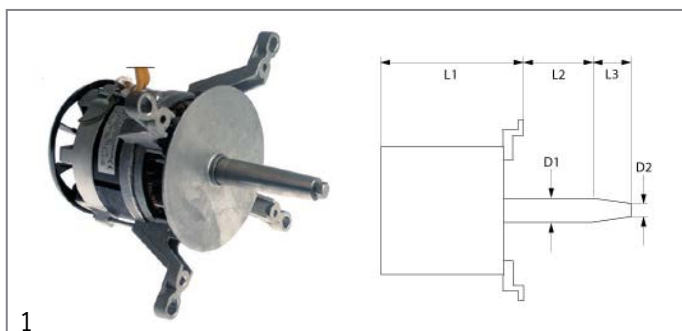
1

<b>Part No.</b>	601648	<b>Ref. No.</b>	KITMOT310 MOT300
<b>description</b>	fan motor 220-240V 1 phase 50/60Hz 0.12kW 2800/3400rpm speeds 1 L1 95mm L2 32mm L3 23mm L4 12mm D1 ø 6x8mm D2 ø 10mm M6R ET 0.9A power input 0.12W at 50Hz 2800rpm at 60Hz 3400rpm suitable capacitor 6.3µF/450V		
<b>accessories for</b>	601648		
		<b>Part No.</b>	365012 <b>Ref. No.</b> —
	operating capacitor capacity 6.3µF 450V tolerance 5% 50Hz ambient temperature max. -25 to +85°C ø 30mm L 61mm M8 plastic connection male faston 6.3mm protection		



1

<b>Part No.</b>	601356	<b>Ref. No.</b>	MOT103
<b>description</b>	fan motor 220-240V 1 phase 50Hz 0.37kW 1400rpm speeds 1 L1 168mm L2 45mm L3 47mm D1 ø 24mm D2 ø 20mm M8L IT 2A suitable capacitor 12.5µF/400V at 50Hz 1400rpm type 1021S2250		



1

<b>Part No.</b>	601544	<b>Ref. No.</b>	MOT101
<b>description</b>	fan motor 230/400V 3 phase 50Hz 0.5HP 1350rpm speeds 1 L1 168mm L2 45mm L3 27mm D1 ø 24mm D2 ø 20mm M8L IT 1.8/1A at 50Hz 1350rpm type FIR 1021		



1

<b>Part No.</b>	601355	<b>Ref. No.</b>	VEN127
<b>description</b>	fan wheel D1 ø 270mm H1 100mm blades 12 D2 ø 19.5mm D3 ø 23mm H2 45mm		




1

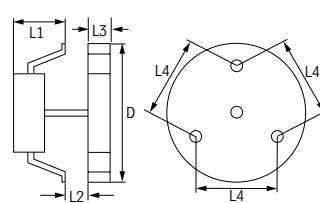
<b>Part No.</b>	602023	<b>Ref. No.</b>	VEL100
<b>description</b>	fan wheel D1 ø 270mm H1 120mm blades 12 D2 ø 19.5mm D3 ø 23mm H2 46mm		

hot air fans

miscellaneous



1





<b>Part No.</b>	601011	<b>Ref. No.</b>	MOT214
<b>description</b>	hot air fan 220-240V 40W 50/60Hz L1 65mm L2 15mm L3 25mm L4 87mm fan wheel ø 150mm FIME type C25R8023CLH		
<b>accessories for</b>	601011		
		<b>Part No.</b>	550879 <b>Ref. No.</b> ZMOT214/1
	insulation ø 130mm thickness 3mm hole ø 18mm for hot air fan		

Table continues overleaf





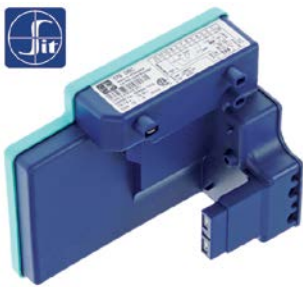
accessories for	601011		
	Part No.	601260	Ref. No. —
	nut thread M6L IT for hot air fan		

## gas valves and ignition boxes

### ignition boxes


#### SIT

	1		
<b>Part No.</b>	103278	<b>Ref. No.</b>	ASM79521001 KITELE090300/1
<b>description</b>	ignition box kit SIT type 571DBC electrodes 2 waiting time 1.5s safety time 5s 250V 10VA 50/60Hz		
<b>spare parts for</b>	103278		
	Part No.	107246	Ref. No. —
	ignition box SIT type 571DBC electrodes 2 waiting time 1s safety time 10s 230V 12VA 50/60Hz		

	1		
<b>Part No.</b>	107850	<b>Ref. No.</b>	ELE500/1
<b>description</b>	ignition box SIT type 579DBC electrodes 2 waiting time 1.5s safety time 6s 220/240V 12VA 50/60Hz		

### for ovens

#### miscellaneous

	1		
<b>Part No.</b>	698648	<b>Ref. No.</b>	NSL100
<b>description</b>	counterpart for microswitch L 50mm W 28mm H 23mm		





## locks

### handle latches

#### universal


#### inside fixing

#### locks

	1		
<b>Part No.</b>	694054	<b>Ref. No.</b>	MAN710
<b>description</b>	door handle for headed units L 145mm W 40mm H 62mm spring length 33mm inner black		
<b>spare parts for</b>	694054		
	Part No.	514390	Ref. No. —
	spring for door handle ø 6mm L 54mm W 27.5mm		
	Part No.	694675	Ref. No. —
	door catch L 88mm W 40mm H 37mm spring length 33mm mounting distance 60mm		
	Part No.	694734	Ref. No. —
	door handle L 165mm W 40mm H 25mm black		
	Part No.	694735	Ref. No. —
	cap ø 32mm black		
<b>accessories for</b>	694054		
	Part No.	691123	Ref. No. —
	duct for door opener		
	Part No.	694055	Ref. No. —
	door catch L 25mm W 14mm total length 54mm thread M8 thread L 29mm		
	Part No.	694066	Ref. No. —
	door catch with spigot 2-stage L 28mm W 14mm H 15mm H1 16mm total length 51mm thread M8 thread L 23mm stainless steel		
	Part No.	694067	Ref. No. MAN710/1
	door catch with spigot 1-stage L 26mm total length 51mm thread M8		


### producer-specific

#### GIERRE

	1		
<b>Part No.</b>	693840	<b>Ref. No.</b>	PIA530
<b>description</b>	base plate L 75mm W 35mm H 4mm for door handle mounting distance 60mm		





1 

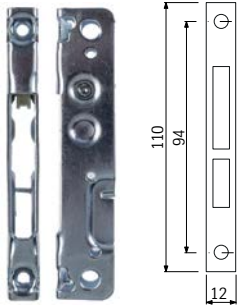
<b>Part No.</b>	694067	<b>Ref. No.</b>	MAN710/1
<b>description</b>	door catch with spigot 1-stage L 26mm total length 51mm thread M8		

1 

<b>Part No.</b>	694054	<b>Ref. No.</b>	MAN710
<b>description</b>	door handle for headed units L 145mm W 40mm H 62mm spring length 33mm inner black		
<b>spare parts for</b>	694054		
	<b>Part No.</b>	514390	<b>Ref. No.</b> —
	spring for door handle ø 6mm L 54mm W 27.5mm		
	<b>Part No.</b>	694675	<b>Ref. No.</b> —
	door catch L 88mm W 40mm H 37mm spring length 33mm mounting distance 60mm		
	<b>Part No.</b>	694734	<b>Ref. No.</b> —
	door handle L 165mm W 40mm H 25mm black		
	<b>Part No.</b>	694735	<b>Ref. No.</b> —
	cap ø 32mm black		
<b>accessories for</b>	694054		
	<b>Part No.</b>	691123	<b>Ref. No.</b> —
	duct for door opener		
	<b>Part No.</b>	694055	<b>Ref. No.</b> —
	door catch L 25mm W 14mm total length 54mm thread M8 thread L 29mm		
	<b>Part No.</b>	694066	<b>Ref. No.</b> —
	door catch with spigot 2-stage L 28mm W 14mm H 15mm H1 16mm total length 51mm thread M8 thread L 23mm stainless steel		
	<b>Part No.</b>	694067	<b>Ref. No.</b> MAN710/1
	door catch with spigot 1-stage L 26mm total length 51mm thread M8		

## hinges


### oven hinges

1 

<b>Part No.</b>	693045	<b>Ref. No.</b>	CER141/1
<b>description</b>	opposite support L 110mm W 12mm mounting distance 94mm		

1 

<b>Part No.</b>	690031	<b>Ref. No.</b>	CER151/1
<b>description</b>	opposite support oven hinge		

1 

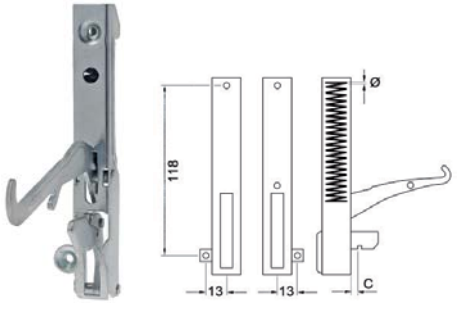

<b>Part No.</b>	701118	<b>Ref. No.</b>	CER151
<b>description</b>	oven hinge lever length 126mm mounting ear position left L 155mm W 20mm Qty 1 pcs		

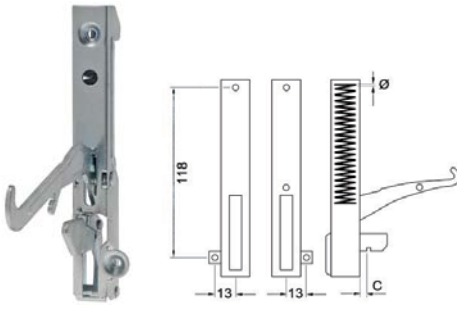

1 

<b>Part No.</b>	694354	<b>Ref. No.</b>	CER145
<b>description</b>	oven hinge mounting distance 118mm lug mounting 13mm lever length 119mm groove distance 12mm spring thickness 4mm mounting ear position left spring length 53mm L 154mm W 22mm		



			
1			
<b>Part No.</b>	694353	<b>Ref. No.</b>	CER146
<b>description</b>	oven hinge mounting distance 118mm lug mounting 13mm lever length 119mm groove distance 12mm spring thickness 4mm mounting ear position right spring length 53mm L 154mm W 22mm Qty 1 pcs		

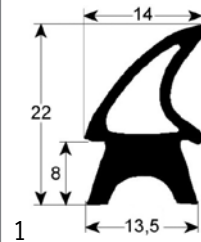
			
1			
<b>Part No.</b>	700013	<b>Ref. No.</b>	CER141
<b>description</b>	oven hinge mounting distance 118mm lug mounting 13mm lever length 119mm groove distance 13mm spring thickness 3.5mm mounting ear position left spring length 60mm L 154mm		
<b>accessories for</b>	700013		
	<b>Part No.</b>	700003	<b>Ref. No.</b> —
	opposite support L 110mm W 12mm mounting distance 94mm		

			
1			
<b>Part No.</b>	700014	<b>Ref. No.</b>	CER150
<b>description</b>	oven hinge mounting distance 118mm mounting distance 2mm lug mounting 13mm lever length 119mm groove distance 13mm spring thickness 3.5mm mounting ear position right spring length 60mm L 154mm		
<b>accessories for</b>	700014		
	<b>Part No.</b>	700003	<b>Ref. No.</b> —
	opposite support L 110mm W 12mm mounting distance 94mm		

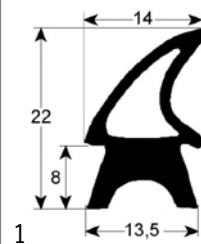
## gaskets

## gaskets for heated units

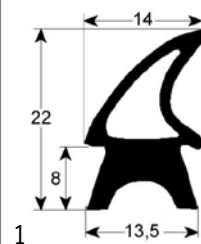
## door seals



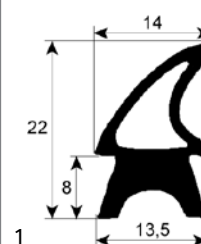
<b>Part No.</b>	901688	<b>Ref. No.</b>	GUA400
<b>description</b>	door seal profile 2455 W 465mm L 745mm external size		



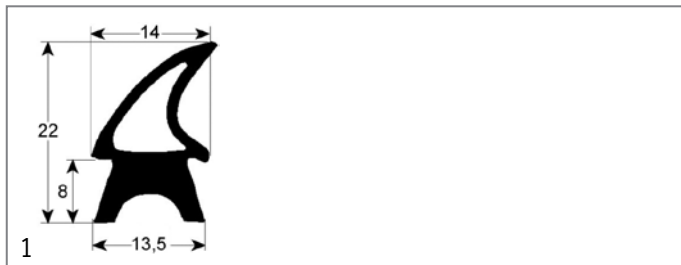
<b>Part No.</b>	900770	<b>Ref. No.</b>	GUA500
<b>description</b>	door seal profile 2455 W 475mm L 650mm external size Qty 1		



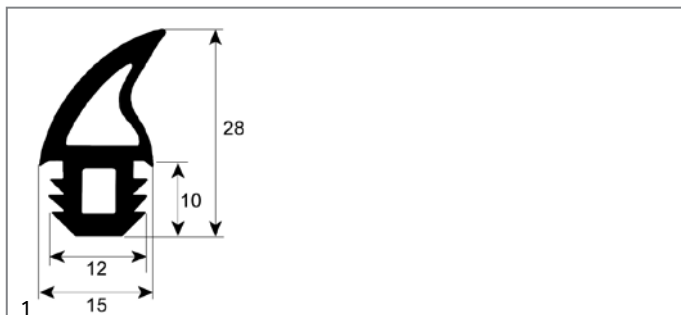
<b>Part No.</b>	901689	<b>Ref. No.</b>	GUA090 GUA600 XXGUA600
<b>description</b>	door seal profile 2455 W 635mm L 1700mm external size		



<b>Part No.</b>	900771	<b>Ref. No.</b>	GUA510
<b>description</b>	door seal profile 2455 W 650mm L 870mm external size Qty 1		



<b>Part No.</b>	901687	<b>Ref. No.</b>	GUA410
<b>description</b>	door seal profile 2455 W 745mm L 865mm external size		

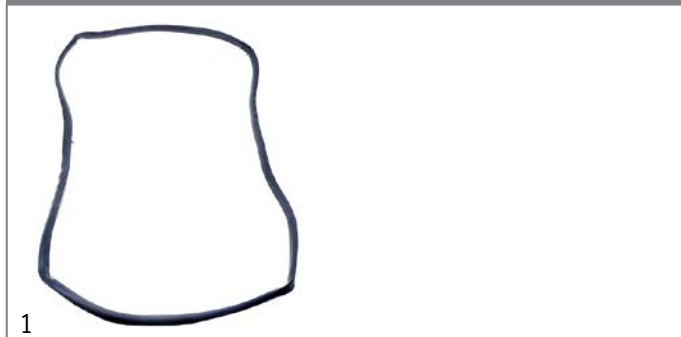


<b>Part No.</b>	901331	<b>Ref. No.</b>	GUA504.03060
<b>description</b>	door seal profile 2756 Qty supplied by meter		

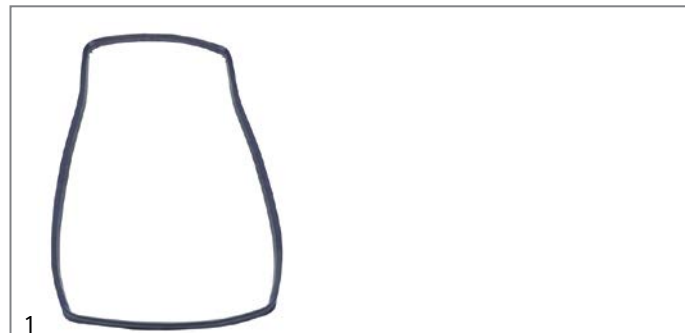


<b>Part No.</b>	900772	<b>Ref. No.</b>	GUA320
<b>description</b>	door seal profile 2926 L 1500mm Qty 1		

door seals with fixing hook



<b>Part No.</b>	900774	<b>Ref. No.</b>	GUA315
<b>description</b>	oven gasket L 660mm W 350mm with 6 mounting clips external size		



<b>Part No.</b>	900773	<b>Ref. No.</b>	GUA312 GUA504.03040
<b>description</b>	oven gasket L 670mm W 280mm with 6 mounting clips external size		

valves and tank inlets

ball valves

ball valves electric



<b>Part No.</b>	403042	<b>Ref. No.</b>	VAL550
<b>description</b>	ball valve inlet 3/4" IT outlet 3/4" IT 230V L 68mm closed off-current mode of operation electric connection cable 400mm		

water cycle components

pressure reduction valves

pressure reduction valves

producer-specific



<b>Part No.</b>	541185	<b>Ref. No.</b>	MIC510
<b>description</b>	pressure controller Metal Work series Bit MRA connection 1/4" default settingbar setting range 0-8bar p max 13bar t.max. 50°C plastic thread 1/4"		

mechanical components, equipment accessories



## fastening material

fasteners

roll pins



1

<b>Part No.</b>	691637	<b>Ref. No.</b>	SPI102
<b>description</b>	roll pin ø 3mm L 20mm		

**GASTROPARTS.COM**



© 2020 Gastroparts Sp. J. All rights reserved.