



GASTROPARTS

Gico Ovens

[EN] Cooking

[DE] Kochtechnik

[ES] Cocción

[FR] Cuisson

[IT] Cottura

[PL] Obróbka termiczna

[RU] Термическая обработка

✉ gastroparts@gastroparts.com

☎ tel. +48 56 657 00 66

📘 fb.com/gastroparts.global

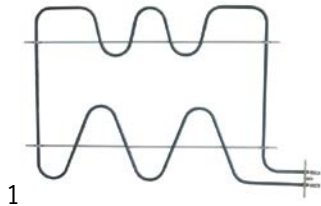
GASTROPARTS.COM






heating elements

heating elements for ovens



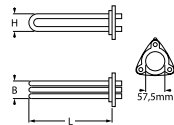
1


Part No.	416089	Ref. No.	260203130
description	heating element 2000W 400V L 500mm W 325mm L1 73mm L2 427mm W1 295mm W2 30mm flange length 70mm flange width 22mm hole distance 55mm hole \varnothing M4mm tube \varnothing 6.5mm connection length 22mm connection M4 heating circuits 1 rectangular flange dry heating element oven		
For models:	500-050FE		
accessories for	416089		
	Part No.	510368	Ref. No. —
	gasket L 70mm W 23.5mm hole \varnothing 5mm hole distance 56mm FIBER thickness 2mm for heating element		

immersion heating elements

3 hole flange \varnothing 57.5mm

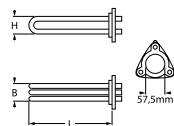
1



Part No.	416126	Ref. No.	293200360
description	heating element 10500W 230V mounting \varnothing 57.5mm heating circuits 3 L 590mm W 30mm H 40mm number of thermostat sleeves 1 thermostat sleeves \varnothing 7mm length thermostat sleeves 480mm thermostat sleeve upper tube \varnothing 8.5mm hole distance 73mm hole \varnothing 10mm connection M4 3 hole flange immersion heater		
spare parts for	416126		
	Part No.	510409	Ref. No. —
	O-ring EPDM thickness 5.34mm ID \varnothing 56.52mm Qty 1 pcs		



1



Part No.	416125	Ref. No.	293200760
description	heating element 7500W 230V mounting \varnothing 57.5mm heating circuits 3 L 398mm W 36mm H 41mm number of thermostat sleeves 1 thermostat sleeves \varnothing 7mm length thermostat sleeves 212mm thermostat sleeve not clinging tube \varnothing 8.5mm hole distance 72mm hole \varnothing 8mm connection M4 3 hole flange immersion heater		

heating elements for convection




1

Part No.	416123	Ref. No.	293200340
description	heating element 15000W 230V heating circuits 1 ID \varnothing 428mm ED \varnothing 443mm L 482mm H 158mm L1 27mm H1 32mm H2 123mm flange length 142mm flange width 25mm hole distance 63mm connection M6 connection length 71mm tube \varnothing 8.5mm convection heating element hole \varnothing 6mm rectangular flange		
For models:	EMD.E101MA, EMD.E101MN, EMD.E101MW		



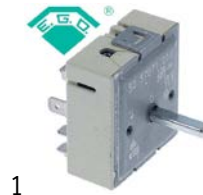
1

Part No.	416119	Ref. No.	238200212
description	heating element 2000W 240V heating circuits 1 ID \varnothing 182mm ED \varnothing 195mm L 245mm H 34mm L1 43mm W1 30mm H1 10mm H2 24mm flange length 70mm flange width 22mm hole distance 56mm connection male faston 6.3mm connection length 56mm tube \varnothing 6.3mm convection heating element mounting thread M5 rectangular flange with thread bolt		
accessories for	416119		
	Part No.	510368	Ref. No. —
	gasket L 70mm W 23.5mm hole \varnothing 5mm hole distance 56mm FIBER thickness 2mm for heating element		

energy regulators

EGO

1-circuit



1

Part No.	380019	Ref. No.	539205
description	energy regulator 240V 13A single-circuit turn direction right shaft \varnothing 6x4.6mm shaft L 23mm mounting thread M4 power release 6-100% no. 50.57071.010		
For models:	70-820, 70-840, ES-702N, ES-IR090C-I, ES-IR120C-I, ES-IR150C-I, ESIR180C-I		



thermostats

control and safety thermostats

EGO

control thermostats

55.10/19_ series



1

Part No.	375216	Ref. No.	53401005270
description	thermostat t.max. 280°C temperature range 50-280°C 1-pole 1NO 16A probe ø 3mm probe L 228mm capillary pipe 1300mm capillary pipe isolated 1150mm gland nut shaft L 23mm shaft position upper rotation 318°		
For models:	500-050FE, 64-040FCE, 64-040FE, 64-050FE-FEV, 64-050T, 64-057FE, 64-222FCE, 64-222FE, 700-040FEB, 700-050FEB, 700-052FEB, 700-054FEB, 700-055FEB, 700-057FEB, 700-138FEBA, 700-162FEBA, 700-200FEB, 700-222FEB, 700-224FEBA, 700-411B, 900-652, 900-950, 920-652, 920-950, EMD.E061MA, EMD.E061MN, EMD.E061MW, EMD.E081MA, EMD.E081MN, EMD.E081MW, EMD.E101MA, EMD.E101MN, EMD.E101MW, EMD.E102MA, EMD.E102MN		

55.34_ series

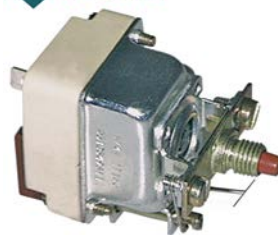


1

Part No.	375192	Ref. No.	00402 53402705320
description	thermostat t.max. 300°C temperature range 50-300°C 3-pole 3NO 16A probe ø 3mm probe L 219mm capillary pipe 900mm capillary pipe isolatedmm gland nut shaft ø 6x4.6mm shaft L 23mm shaft position upper rotation 270°		

safety thermostats

55.10/19_ series



1

Part No.	375218	Ref. No.	6340004014500
description	safety thermostat switch-off temp. 145°C 1-pole 16A probe ø 6mm probe L 130mm capillary pipe 900mm capillary pipe isolated 900mm gland nut probe SS		

55.32_ series



1

Part No.	375228	Ref. No.	53403000350
description	safety thermostat switch-off temp. 350°C 3-pole 20A probe ø 3mm probe L 188mm capillary pipe 900mm capillary pipe isolated 900mm gland nut probe SS		
For models:	110-050FE, 110-052FE, 110-057FE, 110-122FELC, 110-122FEL-FELR, 110-200FE, 500-050FE, 500-320AL-ALC-AR, 500-320TL-TLC-TR, 500-322AL-ALC-ALR-AR, 500-322TL-TLC-TLR-TR, 64-320TL-TLC-TR, 64-322TL-TLC-TLR-TR, 64-930T, 700-040FEB, 700-050FEB, 700-052FEB, 700-054FEB, 700-055FEB, 700-057FEB, 700-138FEBA, 700-162FEBA, 700-200FEB, 700-222FEB, 700-224FEBA, 700-320AL-ALC-AR, 700-320CL-CLC-CR, 700-320TL-TLC-TR, 700-322AL-ALC-ALR-AR, 700-322CL-CLC-CLR-CR, 700-322TL-TLC-TLR-TR, 700-411B, 700-622, 700-632, 700-900, 700-930, 700-960A-D, 700-962A, 900-040FE, 900-050FE, 900-052FE, 900-054FE, 900-057FE, 900-138FEA, 900-162FEA, 900-172FEA, 900-182FE, 900-200FE, 900-320AL-ALC, 900-320CL-CLCCR...(Other models you can see in the webshop)		

56._ series



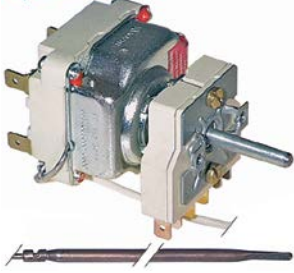
1

Part No.	375987	Ref. No.	63400040320 6340004032001
description	safety thermostat switch-off temp. 335°C 1-pole 20A probe ø 3.03mm probe L 160mm capillary pipe 900mm capillary pipe isolated 750mm gland nut probe SS		
For models:	64-040FCE, 64-050FCE, 64-222FCE		



control thermostats with operation switch

55.34_ series



Part No.	375246	Ref. No.	53401100615
description	thermostat t.max. 645°C temperature range 100-615/645°C 2-pole 2NO 16A probe ø 4mm probe L 230mm capillary pipe 1100mm capillary pipe isolated 600mm gland nut shaft ø 6x4.6mm shaft L 25mm shaft position lower rotation 270° outer switch 2NO probe material copper		

accessories

connecting bows



Part No.	550060	Ref. No.	5200995
description	connecting bow long for thermostat Qty 1 pcs		
For models:	110-032A-T, 110-050FE, 110-052A, 110-052FE, 110-052T, 110-057FE, 110-122FELC, 110-122FEL-FELR, 110-200FE, 110-320AL ALR, 110-320TL-TLR, 110-322AL-ALC-ALR, 110-322FEL-FELC-FELR, 110-322TL-TLC-TLR, 500-320AL-ALC-AR, 500-320TL-TLC-TR, 500-322AL-ALC-ALR-AR, 500-322TL-TLC-TLR-TR, 64-320TL-TLC-TR, 64-322TL-TLC-TLR-TR, 700-052A-C-T, 700-052FEB, 700-054A, 700-054C, 700-054FEB, 700-054T, 700-320AL-ALC-AR, 700-320CL-CLC-CR, 700-320TL-TLC-TR, 700-322AL-ALC-ALR-AR, 700-322CL-CLC-CLR-CR, 700-322TL-TLC-TLR-TR, 700-960A-D, 700-962A, 900-040FE, 900-050FE, 900-052A-C-T, 900-052FE, 900-054A-C-T, 900-054FE, 900-057FE, 900-138FEA, 900-162FEA, 900-172FEA, 900-182FE, 900-200FE, 900-320ALALC, 900-320AR, 900-320CL-CLC-CR, 900-320TL-TLC-TR... (Other models you can see in the webshop)		



Part No.	300156	Ref. No.	A00253
description	push switch mounting ø 25mm red 250V 16A voltage connection male faston 6.3mm ambient temperature max. 85°C protection IP40		



Part No.	300161 ¹	Ref. No.	5209201 6209201
description	push switch mounting ø 25mm white 2NO/indicator light 250V 16A illuminated connection male faston 6.3mm ambient temperature max. 85°C protection IP40		
For models:	110-500A-T, 500-500A, 500-701A, 64-500T, 64-519T, 64-520T, 64-542T, 700-520T		

¹illuminated

Part No.	345039	Ref. No.	55463001
description	protective cover round ED ø 33mm external size 23mm internal size 21mm H 12mm clear mounting ø 25mm		
For models:	500-701A, 64-519T, 64-520T, 700-519A-C-T, 700-520T, 700-622, 700-632, 700-900, 700-930, 900-622, 900-632, 900-642, 900-652, 900-900, 900-930, 900-940, 900-950, 920-622, 920-632, 920-642, 920-652, 920-900, 920-930, 920-940, 920-950		
accessories for	345039		
		Part No.	345001
		Ref. No.	—
	momentary push switch mounting ø 25mm yellow 1NO/indicator light 250V 16A cover connection male faston 6.3mm ambient temperature max. 85°C protection IP65		

microswitches

pin-plunger actuated

M10



Part No.	345032	Ref. No.	522583131
description	microswitch with plunger thread M10x1 thread L 12mm 250V 16A 1CO connection male faston 6.3mm stroke 7mm mounting distance 22mm L 28mm ambient temperature max. 125°C type SP9603 actuating force: 180g		

switches and momentary switches

push/momentary push switches

ø25mm



Part No.	300155	Ref. No.	A00252 A00252neu
description	momentary push switch mounting ø 25mm black 2NO 250V 16A light connection male faston 6.3mm ambient temperature max. 85°C protection IP40		



cam switches

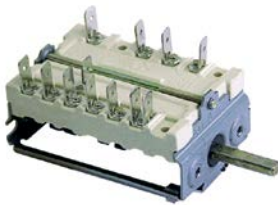
4-position



1

Part No.	300103	Ref. No.	00410 52002432
description	cam switch 4 operating positions 1NO/2CO sequence 0-1-2-3 32A shaft ø 6x4.6mm shaft L 23mm connection screw ceramic		
For models:	110-030A-T, 110-050A-T, 110-050FE, 500-030A-T, 500-050A-T, 500-050FE, 700-035A-C-T, 700-055A-C-T, 700-055FEB, 900-030A-C-T, 900-050A-C-T, 900-050FE, 900-172A-C-T, 900-172FEA, 900-521-522, 90-821, 920-030A-T, 920-050A-T, 920-050FE, 920-172A-T, 920-172FEA		

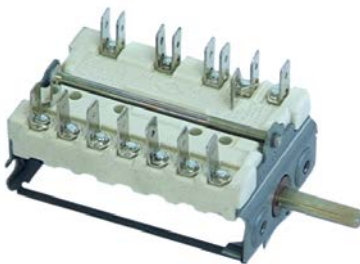
4 operating positions



1

Part No.	300010	Ref. No.	620044924
description	cam switch 4 operating positions 2NO/2CO sequence 0-1-2-3 16A shaft ø 6x4.6mm shaft L 23mm connection male faston 6.3mm ceramic		

5 operating positions




1

Part No.	300162	Ref. No.	62051824
description	cam switch 5 operating positions shaft ø 6x4.6mm connection male faston 7-pole		
For models:	EMD.E061MN, EMD.E081MN, EMD.E101MN, EMD.E102MN		

operation switches



1

Part No.	300080	Ref. No.	00423 52004115
description	cam switch 2 operating positions 4NO 16A sequence 0-1 shaft ø 6x4.6mm shaft L 23mm connection screw operation switch ceramic ambient temperature max. 150°C		
For models:	110-032A-T, 110-050FE, 110-052A, 110-052FE, 110-052T, 110-057FE, 110-122FELC, 110-122FEL-FELR, 110-200FE, 110-320AL ALR, 110-320TL-TLR, 110-322AL-ALC-ALR, 110-322FEL-FELC-FELR, 110-322TL-TLC-TLR, 500-320AL-ALC-AR, 500-320TL-TLC-TR, 500-322AL-ALC-ALR-AR, 500-322TL-TLC-TLR-TR, 64-320TL-TLC-TR, 64-322TL-TLC-TLR-TR, 700-052A-C-T, 700-052FEB, 700-054A, 700-054C, 700-054FEB, 700-054T, 700-320AL-ALC-AR, 700-320CL-CLC-CR, 700-320TL-TLC-TR, 700-322AL-ALC-ALR-AR, 700-322CL-CLC-CLR-CR, 700-322TL-TLC-TLR-TR, 700-960A-D, 700-962A, 900-040FE, 900-050FE, 900-052A-C-T, 900-052FE, 900-054A-C-T, 900-054FE, 900-057FE, 900-138FEA, 900-162FEA, 900-172FEA, 900-182FE, 900-200FE, 900-320ALALC, 900-320AR, 900-320CL-CLC-CR, 900-320TL-TLC-TR... (Other models you can see in the webshop)		
accessories for	300080		
		Part No.	551456 Ref. No. —
	gasket for switch ED ø 14mm ID ø 2.5mm thickness 3.5mm white		



1

Part No.	300200	Ref. No.	52002115
description	operation switch 2 operating positions 2NO 16A sequence 0-1 shaft ø 6x4.6mm shaft L 23mm connection male faston 6.3mm operation switch ceramic		
For models:	500-050FE, 500-755A, 64-519T, 64-520T, 64-700T, 64-703T, 64-930T, 700-040FEB, 700-050FEB, 700-052FEB, 700-054FEB, 700-055FEB, 700-057FEB, 700-138FEBA, 700-162FEBA, 700-200FEB, 700-222FEB, 700-224FEBA, 700-411B, 700-519A-C-T, 700-520T, 700-701A-S, 700-702A-S, 700-704A-S, 700-705A-S, 700-708A-S, 700-755A-S, 700-855A-S, 900-701A-S, 900-702A-S, 900-704A-S, 900-705A-S, 900-706A-S, 900-755A-S, 900-855A-S, 920-704A-S, 920-755A-S, EMD.E061MA, EMD.E061MW, EMD.E081MA, EMD.E081MW, EMD.E101MA, EMD.E101MW, EMD.E102MA, ES-023N, ES-121NVC, ES-151NVC, ES-181NVC		

1 electric components



magnetic switches

40x13mm



1

Part No.	300150	Ref. No.	695001
description	magnetic switch L 40mm W 13mm 250V 0.04A connection cable		
For models:	AB-370080A, AB-370080W, AB-370801A, AB-370801W, AB-96080A, AB-96080W, AB-96801A, AB-96801W, AB-96802A, AB-96802W, AB-AB03A, AB-AB03FA, AB-AB03PA, AB-AB03W, AB-AB05A, AB-AB-05PA, AB-AB05W, AB-AB10A, AB-AB10PA, AB-AB10PW, AB-AB10W, AB-AB14A, AB-AB14PA, AB-AB14PW, AB-AB14W, EMD.E061MA, EMD.E061MN, EMD.E061MW, EMD.E081MA, EMD.E081MN, EMD.E081MW, EMD.E101MA, EMD.E101MN, EMD.E101MW, EMD.E102MA, EMD.E102MN		

lamps

indicator lights


indicator lights 2-piece (lens and indicator lamp)

indicator light lenses

ø10mm (type SRZ-3)




1

Part No.	359123	Ref. No.	6229044
description	indicator light housings mounting measurements ø10mm green round Qty 1 pcs		
accessories for	359123		
	Part No.	359132	Ref. No. 6229046
	indicator lamp green 250V connection male faston 6.3mm protection IP54 ambient temperature max. 85°C		



1

Part No.	359124	Ref. No.	6229043
description	indicator light housings mounting measurements ø10mm yellow round Qty 1 pcs		
For models:	64-755T		
accessories for	359124		
	Part No.	359132	Ref. No. 6229046
	indicator lamp green 250V connection male faston 6.3mm protection IP54 ambient temperature max. 85°C		

indicator lamps for socket type SRZ / SDK / SDY / SFK



1

Part No.	359132	Ref. No.	6229046
description	indicator lamp green 250V connection male faston 6.3mm protection IP54 ambient temperature max. 85°C		
For models:	64-755T		

indicator lights (complete)

ø10mm

with plug-in socket



1

Part No.	359139	Ref. No.	A00409
description	indicator light ø 10mm green 230V connection male faston 6.3mm Qty 1 pcs		
For models:	110-030A-T, 110-032A-T, 110-037A-T, 110-050A-T, 110-050FE, 110-052A, 110-052FE, 110-052T, 110-057A-T, 110-057FE, 110-122FELC, 110-122FEL-FELR, 110-200FE, 110-320AL-ALR, 110-320TL-TLR, 110-322AL-ALC-ALR, 110-322FEL-FELC-FELR, 110-322TL-TLC-TLR, 110-500A-T, 500-030A-T, 500-050A-T, 500-050FE, 500-320AL-ALC-AR, 500-320TL-TLC-TR, 500-322AL-ALC-ALR-AR, 500-322TL-TLC-TLR-TR, 500-701A, 500-755A, 64-030T, 64-037T, 64-040FCE, 64-050FCE, 64-050FE-FEV, 64-050T, 64-057FE, 64-057T, 64-222FCE, 64-320TLTLC-TR, 64-322TL-TLC-TLR-TR, 64-519T, 64-520T, 64-700T, 64-703T, 64-930T, 700-030A-C-T, 700-035A-C-T, 700-037A-T, 700-040FEB, 700-050FEB, 700-052A-C-T...(Other models you can see in the webshop)		



1

Part No.	359140	Ref. No.	A00410
description	indicator light ø 10mm yellow 230V connection male faston 6.3mm Qty 1 pcs		
For models:	110-032A-T, 110-050FE, 110-052A, 110-052FE, 110-052T, 110-057FE, 110-122FELC, 110-122FEL-FELR, 110-200FE, 110-320AL-ALR, 110-320TL-TLR, 110-322AL-ALC-ALR, 110-322FEL-FELC-FELR, 110-322TL-TLC-TLR, 110-500A-T, 500-050FE, 500-320AL-ALC-AR, 500-320TL-TLC-TR, 500-322AL-ALC-ALR-AR, 500-322TL-TLC-TLR-TR, 500-500A, 500-755A, 64-040FCE, 64-040FE, 64-050FCE, 64-050FE-FEV, 64-057FE, 64-222FCE, 64-222FE, 64-320TL-TLC-TR, 64-322TL-TLC-TLR-TR, 64-500T, 64-519T, 64-520T, 64-542T, 64-700T, 64-703T, 64-930T, 700-040FEB, 700-050FEB, 700-052A-C-T, 700-052FEB, 700-054A, 700-054C, 700-054FEB, 700-054T, 700-055FEB, 700-057FEB, 700-138FEBA, 700-162FEBA...(Other models you can see in the webshop)		

ø13mm

with screw socket



1






Part No.	359049	Ref. No.	5229054
description	indicator light ø 13mm 400V green		
For models:	70-820, 70-840, 9ES-122N, 9ES-122NG, 9ES-152N, 9ES-152NG, 9ES-182N, 9ES-182NG, ES-023N, ES-121NVC, ES-121NVC, ES-151NVC, ES-151NVC, ES-181NVC, ES-181NVC, ES-702N, ES-IR090C-I, ES-IR120C-I, ES-IR150C-I, ES-IR180C-I		
accessories for	359049		
	Part No.	510302	Ref. No. —
	O-ring EPDM ID ø 12.42mm thickness 1.78mm Qty 1 pcs		

Table continues overleaf






accessories for	359049			
	Part No.	511505	Ref. No.	—
	O-ring EPDM thickness 1.78mm ID ø 12.42mm Qty 10 pcs			

	1			
Part No.	359050	Ref. No.	5229052	
description	indicator light ø 13mm 400V yellow			
For models:	9ES-122N, 9ES-122NG, 9ES-152N, 9ES-152NG, 9ES-182N, 9ES-182NG, ES-023N, ES-121NVC, ES-121NVCG, ES-151NVC, ES-151NVCG, ES-181NVC, ES-181NVCG, ES-424NC, ES-702N, ES-828NC, ES-861NC, ES-891NC			
accessories for	359050			
	Part No.	510302	Ref. No.	—
	O-ring EPDM ID ø 12.42mm thickness 1.78mm Qty 1 pcs			
	Part No.	511505	Ref. No.	—
	O-ring EPDM thickness 1.78mm ID ø 12.42mm Qty 10 pcs			

oven lamps

universal oven lamps


mounting diameter 35.5mm

	1			
Part No.	359718	Ref. No.	6230001	
description	oven lamp mounting ø 35.5mm 230V 15W socket E14 temp.-resist. 300°C connection male faston 6.3mm hard glas			
spare parts for	359718			
	Part No.	359701	Ref. No.	—
	lamp socket socket E14 220-230V mounting ø 35.5mm connection male faston 6.3mm 15W			
	Part No.	359740	Ref. No.	—
	light bulb t.max. 300°C socket E14 15W 230V ø 22mm L 48mm lens L 20mm for oven lamp IMPORT			

timers


electric timers

with time spread

	1			
Part No.	350074	Ref. No.	293202310	
description	timer MS65 operation time 120min time spread 30min 1CO/2NO/1NC at 250V 16A permanent position yes impulse electric shaft ø 6x4.6mm shaft L 22mm mounting distance 28mm connection lateral Invensys 4-pole shaft position lower°			


mechanical timers

	1			
Part No.	350003	Ref. No.	63510120	
description	timer M2 with bell 2-pole operation time 120min impulse mechanical 2NO at 250V 16A permanent position no shaft ø 6x4.6mm shaft 6x4.6mm shaft L 23mm mounting distance 28mm connection lateral			
accessories for	350003			
	Part No.	110366	Ref. No.	—
	knob switch zero mark t.max.°C ø 44mm shaft ø 6x4.6mm shaft flat upper black			
	Part No.	111199	Ref. No.	—
	dial plate graduation 120min permanent position no rotation 0-330° ø 60mm timers knob ø 45mm			

	1			
Part No.	350008	Ref. No.	63511120	
description	timer M2 with bell 2-pole operation time 120min impulse mechanical 2NO at 250V 16A permanent position yes shaft ø 6x4.6mm shaft 6x4.6mm shaft L 24mm mounting distance 28mm connection lateral			
For models:	64-040FCE, 64-050FCE, 64-222FCE			

alarm devices

alarm units

	1			
Part No.	350056	Ref. No.	623002	
description	alarm device 220-240VAC ømm H 25mm wall-mounted version mounting distancemm 83dB protection IPx0			
For models:	EMD.E061MA, EMD.E081MA, EMD.E101MA, EMD.E102MA			



contactors

LOVATO

power contactors



1

Part No.	380087	Ref. No.	6300240600
description	power contactor resistive load 16A 230VAC (AC3/400V) 5A/2.2kW main contacts 3NO auxiliary contacts 1NO connection screw connection type 11BG0610A230		



1

Part No.	380082	Ref. No.	53002420904
description	power contactor resistive load 20A 240VAC (AC3/400V) 9A/4kW main contacts 4NO		
For models:	110-500A-T, 500-701A, 64-700T, 64-703T, 64-755T, 64-930T, 700-325A-326A, 700-500A-C-T, 700-542A-C-T, 700-708A-S, 70-840, 900-325A-326A, 900-500A-C-T, 900-542A-C-T, 900-706A-S, 920-500AT, 920-542A-T		



1

Part No.	380083	Ref. No.	530024501
description	power contactor resistive load 25A 230VAC (AC3/400V) 9A/4.2kW main contacts 3NO auxiliary contacts 1NC connection screw connection type BF0901A230		
For models:	500-755A, 700-701A-S, 700-702A-S, 700-704A-S, 700-705A-S, 700-755A-S, 700-855A-S, 900-701A-S, 900-702A-S, 900-704A-S, 900-705AS, 900-755A-S, 900-855A-S, 920-704A-S, 920-755A-S, AB-370080A, AB-370080W, AB-370801A, AB-370801W, AB-96080A, AB-96080W, AB-96801A, AB-96801W, AB-96802A, AB-96802W, AB-AB03A, AB-AB-03FA, AB-AB03PA, AB-AB03W, AB-AB05A, AB-AB05PA, AB-AB05W, ABAB10A, AB-AB10PA, AB-AB10PW, AB-AB10W, AB-AB14A, AB-AB14PA, AB-AB14PW, AB-AB14W, EMD.E061MA, EMD.E061MN, EMD.E061MW, EMD.E081MA, EMD.E081MN, EMD.E081MW, EMD.E101MA, EMD.E101MN, EMD.E101MW, EMD.E102MA...(Other models you can see in the webshop)		

overload switches



1

Part No.	380081	Ref. No.	6310004
description	overload switch setting range 0.6-1A for contactors BG (BG06-BG12) series connection screw		
For models:	EMD.E061MA, EMD.E081MA, EMD.E101MA, EMD.E102MA		

relays

level relays

GICAR



1

Part No.	400018	Ref. No.	639624051
description	level relay 230V voltage AC connection F6.3 type RL30/3ES/F/G		

transformers

toroidal core transformers



1

Part No.	401618	Ref. No.	293203880
description	transformer primary 230V secondary 12V 50VA		
For models:	EMD.E061MA, EMD.E061MN, EMD.E061MW, EMD.E081MA, EMD.E081MW, EMD.E101MA, EMD.E101MW, EMD.E102MA		

encapsulated transformers

PMA



1

Part No.	379054	Ref. No.	639603
description	transformer primary 230VAC secondary 12VAC 3VA secondary 0.25A H 40mm L 45mm W 50mm connection screw 50/60Hz type 153/M		



electronic controllers





EVCO - EVERY CONTROL

universal controllers

built-in version



1

Part No.	378131	Ref. No.	629601
description	electronic controller EVERY CONTROL EVK411M mounting measurements 71x29mm 12V voltage AC/DC NTC/PTC/Pt100/Pt1000 relay outputs 1 CO-16A(8) NTC/PTC/Pt100/Pt1000/TC(J,K)/mV/mA yes protection IP65 dependent on probe°C display 3½ digits		
accessories for	378131		
	Part No.	379050	Ref. No. —
	temperature probe Pt100 cable Vetrotex probe -200 up to +600°C cable -50 up to +350°C probe ø6x100mm cable length 2.7m without screw connection 3-wire		
	Part No.	379160	Ref. No. —
	temperature probe NTC 10kOhm cable thermoplastic probe -40 up to +110°C cable -40 up to +110°C probe ø6x14mm cable length 1.5m without screw connection 2-wire		
	Part No.	379781	Ref. No. —
	temperature probe PTC 1kOhm cable thermoplastic probe -50 up to +150°C cable -40 up to +110°C probe ø6x14mm cable length 1.5m without screw connection 2-wire		
	Part No.	379944	Ref. No. —
	temperature probe Pt1000 cable Vetrotex probe -70 up to +500°C cable -50 up to +350°C connection 2-wire thread probe ø6x180mm cable length 1.7m		

SHANGFANG

accessories



1

Part No.	379054	Ref. No.	639603
description	transformer primary 230VAC secondary 12VAC 3VA secondary 0.25A H 40mm L 45mm W 50mm connection screw 50/60Hz type 153/M		

probes

producer-specific probes

probes



1

Part No.	400261	Ref. No.	62771000 A00317
description	temperature probe Pt100 cable Vetrotex probe -100 up to 450°C cable -50 up to +350°C connection 3-wire thread probe ø6x80mm cable length 1m		

core probes

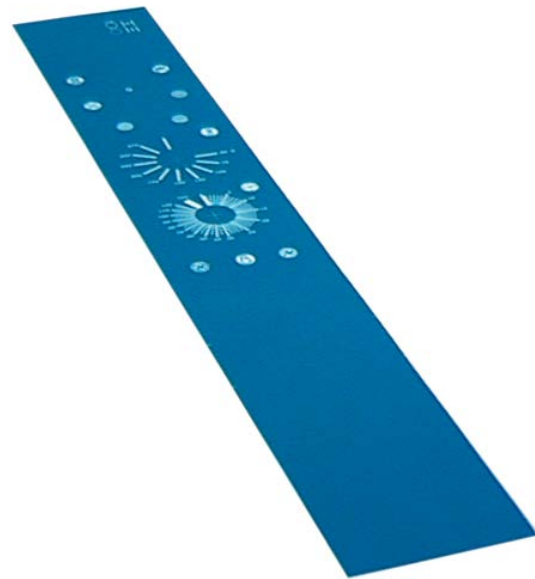


1

Part No.	400263	Ref. No.	6277041000
description	core temperature probe Pt100 cable PTFE probe -40 up to +250°C cable -40 up to +250°C connection 2-wire probe ø4x100mm thread cable length 2m handle ø 10mm handle length 90mm		


keypads

front foils



1

Part No.	400274	Ref. No.	293200220
description	front foil		


1			
Part No.	400276	Ref. No.	293200900
description	front foil		

solenoid valves

solenoid valves (water)


RPE



JOHN GUEST



1			
Part No.	374064	Ref. No.	539434110
description	solenoid valve single straight 230VAC inlet 3/4" outlet JG 10 input/ min output/min DN10 t.max. 25/60/90°C duty cycle 100% RPE 160001230V plastic		

TP




1			
Part No.	370017	Ref. No.	53943410240 A00287
description	solenoid valve single straight 230VAC inlet 3/4" outlet 11.5mm DN10 TP p max 10bar		
For models:	110-500A-T, 700-622, 700-632, 700-900, 700-930, 900-622, 900-632, 900-642, 900-652, 900-900, 900-930, 900-940, 900-950, 920-622, 920-632, 920-642, 920-652, 920-900, 920-930, 920-940, 920-950, 9ES-122N, 9ES-122NG, 9ES-152N, 9ES-152NG, 9ES-182N, 9ES-182NG		
spare parts for	370017		
	Part No.	371013	Ref. No. —
	solenoid coil TP 230VAC 50/60Hz		
accessories for	370017		
	Part No.	371220	Ref. No. —
	reducer TP flow rate 3l/min red tolerance ±15%		

accessories for	370017		
	Part No.	371221	Ref. No. —
	reducer TP flow rate 5.5l/min yellow tolerance ±15%		
	Part No.	371222	Ref. No. —
	reducer TP flow rate 6l/min grey tolerance ±15%		
	Part No.	371223	Ref. No. —
	reducer TP flow rate 10l/min white tolerance ±15%		
	Part No.	371224	Ref. No. —
	reducer TP flow rate 12l/min bronze tolerance ±15%		
	Part No.	371225	Ref. No. —
	reducer TP flow rate 16l/min light brown tolerance ±15%		
	Part No.	371226	Ref. No. —
	reducer TP flow rate 20l/min red tolerance ±15%		
	Part No.	371230	Ref. No. —
	reducer TP flow rate 0.25l/min red tolerance ±25%		
	Part No.	371231	Ref. No. —
	reducer TP flow rate 0.35l/min violet tolerance ±25%		
	Part No.	371232	Ref. No. —
	reducer TP flow rate 0.5l/min orange tolerance ±25%		
	Part No.	371233	Ref. No. —
	reducer TP flow rate 0.8l/min white tolerance ±25%		
	Part No.	371234	Ref. No. —
	reducer TP flow rate 1l/min light blue tolerance ±25%		
	Part No.	371235	Ref. No. —
	reducer TP flow rate 1.2l/min brown tolerance ±25%		
	Part No.	371236	Ref. No. —
	reducer TP flow rate 1.5l/min light brown tolerance ±25%		
	Part No.	371237	Ref. No. —
	reducer TP flow rate 2.5l/min yellow tolerance ±25%		
	Part No.	371238	Ref. No. —
	reducer TP flow rate 3.4l/min dark green tolerance ±25%		
	Part No.	371239	Ref. No. —
	reducer TP flow rate 5l/min black tolerance ±25%		
	Part No.	371240	Ref. No. —
	reducer TP flow rate 8l/min blue tolerance ±20%		





pressure switches

for gas equipment

			
1			
Part No.	541073	Ref. No.	6440001
description	pressure control ø 45mm pressure range adjustable 5-20mbar pressure connection vertical gas technology connection 1/4" pressure connection ø 1/4"mm		

electrodes




			
1			
Part No.	402833	Ref. No.	793103640
description	level electrode 1/4" total length 111.5mm probe L 86.5mm insulated probe length 84mm connection male faston 6.3mm stainless steel ø 2.5mm		
For models:	500-755A, 700-755A-S, 700-855A-S, 900-755A-S, 900-855A-S, 920-755A-S		

			
1			
Part No.	400260	Ref. No.	639314125
description	level electrode 1/4" total length 220mm probe L 195mm insulated probe length 185mm PTFE insulated connection male faston 6.3mm stainless steel ø 2.5mm		
accessories for	400260		
		Part No.	521003
	nut thread 1/4" H 6.3mm chrome-plated brass WS 20 Qty 1 pcs		

fans


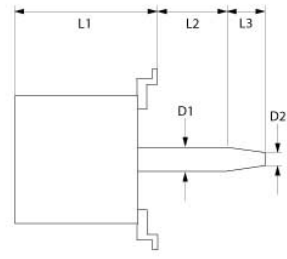
axial fans


ebm-papst

			
1			
Part No.	601030 ¹	Ref. No.	607008
description	axial fan L 119mm W 119mm H 38mm 230VAC 50Hz 18W bearing ball bearing manuf. no. 4656Z metal connection male faston 2.8mm ebm-papst fan wheel ø 110mm temp.-resist. 75°C		
For models:	700-050FEB, 700-052FEB, 700-054FEB, 700-055FEB, 900-050FE, 900-052FE, 900-054FE, 900-172FEA, AB-370080W, AB-370801W, AB-96080W, AB-96801W, AB-96802W, AB-AB03W, BF70120, BF70160, EMD.E061MA, EMD.E061MN, EMD.E061MW, EMD.E081MA, EMD.E081MN, EMD.E081MW, EMD.E101MA, EMD.E101MN, EMD.E101MW, EMD.E102MA, EMD.E102MN, TF-G110-G1101, TF-G138-G1381, TF-G158-G1581, TF-G2060-G2061, TF-N110-N1101-N1102, TF-N138-N1381-N1382, TF-N158, TF-N1581-N1582, TF-N2060-N2061-N2062, TR-G110-G1101, TR-G138-G1381, TR-G158-G1581, TR-G1860-G1861, TR-G2060BN, TR-G2060-G2061, TR-G2061BN, TR-G2341BN, TR-G234BN, TR-G234-G2341, TR-N110-N1101-N1102, TR-N138-N1381-N1382, TR-N158-N1581-N1582, TR-N1860-N1861-N1862... (Other models you can see in the webshop)		
accessories for	601030		
		Part No.	550898
	connecting cable cable length 2000mm connection F 2.8 connection distance 7.9mm for axial flow fan		
		Part No.	692497
	guard ø 105mm mounting distance 150mm for axial fan ebm-papstmm		

¹with ball bearings

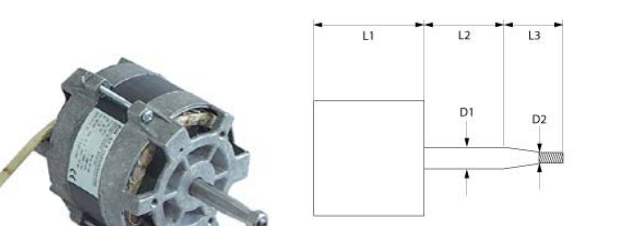
hot air motors

			
			
1			
Part No.	601091	Ref. No.	293200190
description	fan motor 200-240/415V 3 phase 50/60Hz 1HP 1400/1700rpm speeds 1 L1 210mm L2 45mm L3 47mm D1 ø 24mm D2 ø 20mm M8L IT 3.6/2.1A at 50Hz 200-240/415V at 60Hz 200-240/480V at 50Hz 1400rpm at 60Hz 1700rpm type 1040A4450		

1

Part No.	601093	Ref. No.	293201150
description	fan motor 200-240/415V 3 phase 50Hz 0.3/1HP 900/1400rpm speeds 2 L1 210mm L2 50mm L3 45mm D1 ø 24mm D2 ø 20mm M8L IT 3.6/2.1-1.5/0.9A at 50Hz 200-240/415V at 60Hz 200-240/480V at 50Hz 900/1400rpm at 60Hz 1100/1700rpm type 1041A4450		




1

Part No.	601090	Ref. No.	293200840
description	fan motor 200-240V 1 phase 50/60Hz 0.18kW 0.25HP 1400rpm speeds 1 L1 123mm L2 41mm L3 30mm D1 ø 15mm D2 ø 10mm M10L ET 1.6A suitable capacitor 5µF/450V at 50Hz 1400rpm at 60Hz 1700rpm type 1071		



1

Part No.	601095	Ref. No.	293200680
description	fan wheel D1 ø 210mm H1 100mm blades 20 D2 ø 11mm D3 ø 16mm H2 30mm		
For models:	EMD.E061MA, EMD.E061MN, EMD.E061MW		

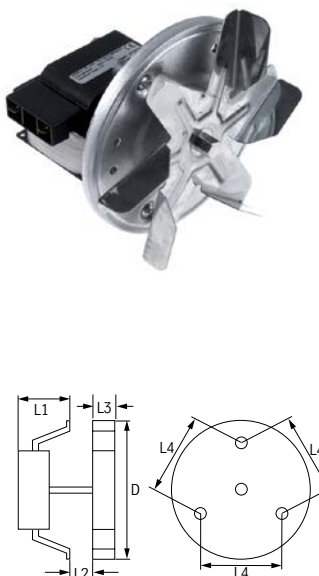


1

Part No.	601096	Ref. No.	293200240
description	fan wheel D1 ø 285mm H1 140mm blades 24 D2 ø 19.5mm D3 ø 23.5mm H2 45mm		
For models:	EMD.E081MA, EMD.E081MN, EMD.E081MW, EMD.E101MA, EMD.E101MN, EMD.E101MW		

hot air fans

miscellaneous




1

Part No.	601094	Ref. No.	507005 507007 507009
description	fan motor 240V 36W 50Hz L1 85mm L2 15mm L3 20mm L4 87mm fan wheel ø 150mm Emmevi type 260305X		
For models:	9ES-122N, 9ES-152N, 9ES-182N, ES-121NVC, ES-151NVC, ES-181NVC		

electric accessories

terminals

connection terminals with screw/faston connections



1

Part No.	550411	Ref. No.	652502
description	power terminal block 6-pole max. 40A max 450V connection ø6mm ² / F6.3 temp.-resist. 150°C cross section 6mm ²		
For models:	110-500A-T, 500-039A, 500-701A, 500-755A, 64-050FCE, 64-050FEFV, 64-050T, 64-057FE, 64-057T, 64-700T, 64-703T, 64-755T, 700-037A-T, 700-039A, 700-050FEB, 700-055A-C-T, 700-055FEB, 700-057A-T, 700-057FEB, 700-500A-C-T, 700-542A-C-T, 700-622, 700-701A-S, 700-702A-S, 700-704A-S, 700-705A-S, 700-708A-S, 700-755A-S, 700-855A-S, 700-900, 900-037A-T, 900-038A-058A, 900-038AM-058AM, 900-039A, 900-050A-C-T, 900-050FE, 900-057A-T, 900-057FE, 900-172A-C-T, 900-172FEA, 900-500A-C-T, 900-542A-C-T, 900-622, 900-642, 900-701A-S, 900-702A-S, 900-704A-S, 900-705A-S, 900-706A-S, 900-755A-S...(Other models you can see in the webshop)		



gas thermostats

PEL

25ST series






Part No.	101172	Ref. No.	435219
description	gas thermostat PEL type 25ST 100-300°C gas inlet M16x1.5 (tube ø 10mm) bypass nozzle ø 0.35mm gas outlet M16x1.5 (tube ø 10/8mm) thermocouple connection M9x1 pilot connection M10x1 capillary pipe 1200mm probe ø 6mm probe L 100mm shaft ø 8x6.5mm shaft L 21/15mm shaft flat upper		
spare parts for	101172		
	Part No.	100259	Ref. No. —
	bypass nozzle type PEL22 bore ø 0.35mm thread M6x0.5		
	Part No.	101060	Ref. No. —
	magnet unit standard L 39mm D1 ø 15.4mm D2 ø 11mm suitable for PEL20-21/JUNKERS/EGA		
	Part No.	106200	Ref. No. —
	nut thread M9x1 suitable for PEL 24/25S		
accessories for	101172		
	Part No.	100908	Ref. No. —
	union screw thread M10x1 for pipe ø 4mm Qty 1 pcs		
	Part No.	100909	Ref. No. —
	union screw thread M10x1 for pipe ø 6mm Qty 1 pcs		
	Part No.	101246	Ref. No. —
	olive for pipe ø 4mm Qty 1 pcs		
	Part No.	101278	Ref. No. —
	olive for pipe ø 10mm Qty 1 pcs		
	Part No.	101286	Ref. No. —
	olive ID ø 6mm Qty 1 pcs		
	Part No.	101300	Ref. No. —
	union nut thread M16x1.5 tube ø 10mm		
	Part No.	101450	Ref. No. —
	olive for pipe ø 8mm L 12.7mm Qty 1 pcs ED ø 10mm		
	Part No.	101451	Ref. No. —
	union nut thread M16x1.5 tube ø 8mm		
	Part No.	110079	Ref. No. —
	knob dial plate gas thermostat 1-8 silver		
	Part No.	110081	Ref. No. —
	knob ø 70mm shaft ø 8x6.5mm shaft flat universal		

gas valves and ignition boxes

gas control valves

HONEYWELL



Part No.	101395	Ref. No.	43330001
description	gas valve type VR4605P 230V 50Hz gas inlet 1/2" gas outlet 1/2" thermocouple connection pilot connection pressure range 8-50mbar operator type 230V (V404A 1071) pressure controller type 220/240V (V404A 1071 4) HONEYWELL coil type 220/240V (V4336A 2220) flange 45x45mm		
accessories for	101395		
	Part No.	101320	Ref. No. —
	cover suitable for gas valves HONEYWELL		
	Part No.	102845	Ref. No. —
	gas connection angled 1/2" flange 32x32mm hole distance 24x24mm Tandem		
	Part No.	102846	Ref. No. —
	gas connection straight 1/2" flange 32x32mm hole distance 24x24mm suitable for Tandem		

SIT

ELETTROSIT






Part No.	101127	Ref. No.	43300012
description	gas valve SIT type ELETROSIT 230V gas inlet 3/4" gas outlet 3/4" thermocouple connection M9x1 pilot connection M10x1 lateral equiv. no. 0.810.175		
spare parts for	101127		
	Part No.	101312	Ref. No. —
	microswitch		
	Part No.	101352	Ref. No. —
	solenoid coil 230V 50Hz suitable for ELETROSIT		
accessories for	101127		
	Part No.	100006	Ref. No. —
	piezoelectric igniter suitable for ELETROSIT body plastic blowing connection ø2.4mm ø 14mm		

Table continues overleaf



accessories for		101127	
	Part No.	100904	Ref. No. 4392050
	locking screw M10x1 for pipe ø 4mm Qty 1 pcs		
	Part No.	100905	Ref. No. —
	locking screw M10x1 for pipe ø 6mm Qty 1 pcs		
	Part No.	101301	Ref. No. —
	gas connection thread 1/2" straight ELETTROSIT screw with O-ring		
	Part No.	101303	Ref. No. —
	gas connection straight thread 3/4" ELETTROSIT		
	Part No.	101309	Ref. No. —
	extension		

TANDEM



Part No.	101189	Ref. No.	433012
description	gas valve 230V 50Hz gas inlet 1/2" gas outlet 1/2" pilot connection M10x1 level slow ignition ignition times pressure range 3-50mbar power supply for modulator equiv. no. 0.830.040 suitable for Tandem		
For models:	700-622, 700-900, 900-622, 900-642, 900-900, 900-940, 920-622, 920-642, 920-900, 920-940		
spare parts for	101189		
	Part No.	101379	Ref. No. —
	solenoid coil 230V 50Hz suitable for Tandem		
accessories for	101189		
	Part No.	100904	Ref. No. 4392050
	locking screw M10x1 for pipe ø 4mm Qty 1 pcs		
	Part No.	100905	Ref. No. —
	locking screw M10x1 for pipe ø 6mm Qty 1 pcs		
	Part No.	101274	Ref. No. —
	olive for pipe ø 16mm Qty 1 pcs		
	Part No.	101275	Ref. No. —
	union screw thread 1/2" for pipe ø 16mm Qty 1 pcs		
	Part No.	101925	Ref. No. —
	plug with O-ring thread M10x1 for pilot burner suitable for NOVASIT		
	Part No.	102845	Ref. No. —
	gas connection angled 1/2" flange 32x32mm hole distance 24x24mm Tandem		
	Part No.	102846	Ref. No. —
	gas connection straight 1/2" flange 32x32mm hole distance 24x24mm suitable for Tandem		

accessories for		101189	
	Part No.	102847	Ref. No. —
	O-ring		

ignition boxes

HONEYWELL



Part No.	101165	Ref. No.	43331001
description	ignition box HONEYWELL type S4560A 1008 equiv. no. S4560A 1008 electrodes 1 waiting time 0s safety time 10s 220-240V 10VA 50Hz		
For models:	700-622, 700-900, 900-622, 900-642, 900-900, 900-940, 920-622, 920-642, 920-900, 920-940		
spare parts for	101165		
	Part No.	358696	Ref. No. —
	fine fuse size ø5x20mm 4A medium lag rated 250V Qty 10 pcs		



Part No.	102367	Ref. No.	293203200
description	ignition box HONEYWELL type S4565A 2092 1 electrodes 3 waiting times safety time 10s 220-240V 4VA 50/60Hz		



Part No.	106949	Ref. No.	43331002
description	ignition box HONEYWELL type S4960A 1008 electrodes 1 waiting time 2s safety time 10s 220-240V 10VA 50Hz		



ignition parts


pilot burners







SIT

100 series



1

Part No.	106906	Ref. No.	A00132 A00280
description	pilot burner SIT type 100 series 3 flames nozzle \varnothing 0.2mm gas connection 6mm		
For models:	110-120AL-ALR, 110-120TL-TLR, 110-122AL-ALR, 110-122ALC, 110-122FELC, 110-122FEL-FELR, 110-122FLC, 110-122FL-FLR, 110-122TL, 110-122TL-TLR, 500-120AL-AR, 500-120ALC, 500-120TLC, 500-120TLTR, 500-122AL-ALR-AR, 500-122ALC, 500-122TLC, 500-122TL-TLR TR, 64-120TLC, 64-120TL-TR, 64-122TL, 64-122TLC, 64-122TLR-TR, 64-130TL-TR, 64-132TL-TLR-TR, 64-600T-603T, 700-120AL-AR-CL, 700-120ALC-CLC, 700-120CR-TL, 700-120TLC, 700-120TR, 700-122AL, 700-122ALC, 700-122ALR-AR-CL, 700-122CLC, 700-122CLR-CR TL, 700-122TLC, 700-122TLR-TR, 700-130AL-AR, 700-130CL-CR, 700-130TL-TR, 700-132AL-AR, 700-132ALR, 700-132CL-CR, 700-132CLR, 700-132TLR, 700-132TL-TR, 700-138A-C-T, 700-138FBA, 700-138FEBA... (Other models you can see in the webshop)		
spare parts for	106906		
	Part No.	100245	Ref. No. 4370001
	pilot burner nozzle LPG code 20 bore \varnothing 0.2mm Qty 1 pcs thread M8x0.75		
	Part No.	100855	Ref. No. —
	pilot burner bracket triple		
	Part No.	100885	Ref. No. —
	air mixing sleeve for pilot burner Qty 1 pcs		
	Part No.	100916	Ref. No. —
	compression spring for pilot burner Qty 1 pcs		
	Part No.	100917	Ref. No. —
	gasket for pilot burner Qty 1 pcs aluminium		
	Part No.	100918	Ref. No. —
	screw for pilot burner		
	Part No.	107162	Ref. No. —
	pilot burner cap SIT 3 flames Hmm Lmm Qty 1 pcs		
	Part No.	107701	Ref. No. —
	pilot burner bottom part SIT 100 series nozzle \varnothing 0.2mm		
accessories for	106906		
	Part No.	100245	Ref. No. 4370001
	pilot burner nozzle LPG code 20 bore \varnothing 0.2mm Qty 1 pcs thread M8x0.75		
	Part No.	100246	Ref. No. —
	pilot burner nozzle natural gas bore \varnothing 0.35mm Qty 1 pcs thread M8x0.75		
	Part No.	100904	Ref. No. 4392050
	locking screw M10x1 for pipe \varnothing 4mm Qty 1 pcs		

accessories for	106906		
	Part No.	100905	Ref. No. —
	locking screw M10x1 for pipe \varnothing 6mm Qty 1 pcs		
	Part No.	102110	Ref. No. —
	pilot tube copper pipe \varnothing 4mm thickness 1mm L 3000mm		
	Part No.	102111	Ref. No. —
	pilot tube copper pipe \varnothing 6mm thickness 1mm L 3000mm		
	Part No.	107171	Ref. No. —
	pilot burner nozzle SIT natural/liquid gas bore \varnothing 0.25mm Qty 1 pcs		
	Part No.	107700	Ref. No. —
	pilot burner bottom part SIT 100 series nozzle \varnothing 0.25mm		
	Part No.	107702	Ref. No. —
	pilot burner bottom part SIT 100 series nozzle \varnothing 0.35mm		

accessories

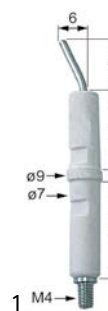
pilot burner nozzles



1

Part No.	100245	Ref. No.	4370001
description	pilot burner nozzle LPG code 20 bore \varnothing 0.2mm Qty 1 pcs thread M8x0.75		

ignition electrodes



1














Part No.	100706	Ref. No.	4398070
description	ignition electrode connection M4 Qty 1 pcs		
For models:	110-120AL-ALR, 110-120TL-TLR, 110-122AL-ALR, 110-122ALC, 110-122FELC, 110-122FEL-FELR, 110-122FLC, 110-122FL-FLR, 110-122TL, 110-122TL-TLR, 500-120AL-AR, 500-120ALC, 500-120TLC, 500-120TLTR, 500-122AL-ALR-AR, 500-122ALC, 500-122TLC, 500-122TL-TLR TR, 64-120TLC, 64-120TL-TR, 64-122TL, 64-122TLC, 64-122TLR-TR, 64-130TL-TR, 64-132TL-TLR-TR, 64-600T-603T, 700-120AL-AR-CL, 700-120ALC-CLC, 700-120CR-TL, 700-120TLC, 700-120TR, 700-122AL, 700-122ALC, 700-122ALR-AR-CL, 700-122CLC, 700-122CLR-CR TL, 700-122TLC, 700-122TLR-TR, 700-130AL-AR, 700-130CL-CR, 700-130TL-TR, 700-132AL-AR, 700-132ALR, 700-132CL-CR, 700-132CLR, 700-132TLR, 700-132TL-TR, 700-138A-C-T, 700-138FBA, 700-138FEBA... (Other models you can see in the webshop)		



140 - 145 -150 series

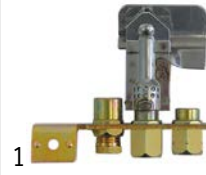


1

Part No.	100159	Ref. No.	790200900
description	pilot burner SIT type 150 series 2 flames nozzle 19 nozzle \varnothing 0.23/0.26mm gas connection 4mm		
spare parts for	100159		
	Part No.	100205	Ref. No. 43702019
	pilot burner nozzle SIT LPG code 19 bore \varnothing 0.23/0.26mm Qty 1 pcs suitable for SIT 150 series		
	Part No.	100701	Ref. No. 270200700
	ignition electrode connection M4 Qty 1 pcs		
	Part No.	100897	Ref. No. —
	olive for pipe \varnothing 4mm Qty 1 pcs for pilot burner		
	Part No.	100906	Ref. No. —
	screw connection thread M10x1 for ignition electrode brass Qty 1 pcs WS 10		
	Part No.	100907	Ref. No. —
	screw connection thread M10x1 Qty 1 pcs type SEF 1 \varnothing mm for thermocouple		
	Part No.	100908	Ref. No. —
	union screw thread M10x1 for pipe \varnothing 4mm Qty 1 pcs		
	Part No.	107888	Ref. No. —
	pilot burner SIT type 150 series 2 flames		
accessories for	100159		
	Part No.	100204	Ref. No. —
	pilot burner nozzle SIT LPG code 14 bore \varnothing 0.18/0.20mm Qty 1 pcs suitable for 140 series		
	Part No.	100206	Ref. No. 43702036
	pilot burner nozzle SIT natural gas code 36 bore \varnothing 0.60/0.55mm Qty 1 pcs suitable for SIT 150 series		
	Part No.	100207	Ref. No. —
	pilot burner nozzle SIT natural gas code 27 bore \varnothing 0.40/0.38mm suitable for SIT 140 series		
	Part No.	100216	Ref. No. —
	pilot burner nozzle SIT natural gas code 38 bore \varnothing 0.45mm Qty 1 pcs suitable for SIT 150 series		
	Part No.	100898	Ref. No. —
	olive for pipe \varnothing 6mm Qty 1 pcs for pilot burner		
	Part No.	100909	Ref. No. —
	union screw thread M10x1 for pipe \varnothing 6mm Qty 1 pcs		

POLIDORO

pilot burners










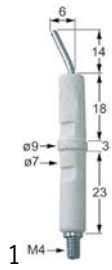
1

Part No.	100076	Ref. No.	A00283
description	pilot burner POLIDORO 3 flames natural gas code 29.2 gas connection 6mm		
For models:	110-122FLC, 110-122FL-FLR, 500-125A-126A, 500-750A, 500-800A, 64-040FCE, 64-040F-FV, 64-125T-126T, 64-222F, 64-900T, 700-040FB, 700-125A-C, 700-125T, 700-126A-C, 700-126T, 700-127A-C, 700-127T, 700-138FBA, 700-162FBA, 700-162FG, 700-200FB, 700-222FB, 700-224FBA, 700-224FG, 700-508, 700-750A-S, 700-800A-S, 900-040F, 900-125A-C, 900-125T, 900-126A-C, 900-126T, 900-127A-C, 900-127T, 900-138FA, 900-162FA, 900-162FG, 900-200F, 900-503, 900-506, 900-750A-S, 900-800A-S, 920-122FLC, 920-122FL-FLR-FR, 920-200F, 920-503, 920-506, 920-750A-S		
spare parts for	100076		
	Part No.	100907	Ref. No. —
	screw connection thread M10x1 Qty 1 pcs type SEF 1 \varnothing mm for thermocouple		
accessories for	100076		
	Part No.	100000	Ref. No. —
	pilot burner nozzle POLIDORO LPG code 22 bore \varnothing 0.22mm Qty 1 pcs		
	Part No.	100208	Ref. No. 4372022
	pilot burner nozzle POLIDORO LPG code 20 bore \varnothing 0.2mm Qty 1 pcs		
	Part No.	100209	Ref. No. —
	pilot burner nozzle POLIDORO natural gas code 40 bore \varnothing 0.4mm Qty 1 pcs		
	Part No.	100701	Ref. No. 270200700
	ignition electrode connection M4 Qty 1 pcs		
	Part No.	100906	Ref. No. —
	screw connection thread M10x1 for ignition electrode brass Qty 1 pcs WS 10		
	Part No.	100907	Ref. No. —
	screw connection thread M10x1 Qty 1 pcs type SEF 1 \varnothing mm for thermocouple		
	Part No.	100908	Ref. No. —
	union screw thread M10x1 for pipe \varnothing 4mm Qty 1 pcs		
	Part No.	100909	Ref. No. —
	union screw thread M10x1 for pipe \varnothing 6mm Qty 1 pcs		
	Part No.	102110	Ref. No. —
	pilot tube copper pipe \varnothing 4mm thickness 1mm L 3000mm		
	Part No.	102111	Ref. No. —
	pilot tube copper pipe \varnothing 6mm thickness 1mm L 3000mm		
	Part No.	102508	Ref. No. —
	union screw thread M10x1 for pipe \varnothing 4mm Qty 5 pcs		
	Part No.	102509	Ref. No. —
	union screw thread M10x1 for pipe \varnothing 6mm Qty 5 pcs		

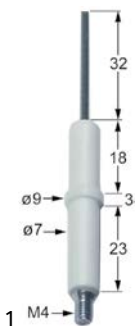

Table continues overleaf

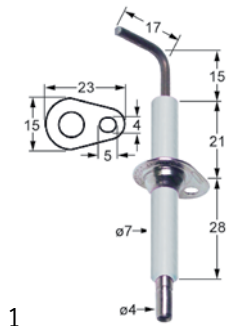


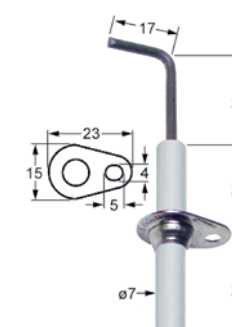
accessories for		100076		
	Part No.	102699	Ref. No.	—
	pilot burner nozzle POLIDORO natural gas code 25.2 bore \varnothing 2x0.25mm Qty 1 pcs 2 bores			
	Part No.	102795	Ref. No.	—
	olive for pipe \varnothing 4mm Qty 1 pcs			
	Part No.	102797	Ref. No.	—
	olive for pipe \varnothing 6mm Qty 1 pcs			
	Part No.	106703	Ref. No.	—
	pilot burner nozzle POLIDORO natural gas code 27.2 bore \varnothing 2x0.27mm Qty 1 pcs			
	Part No.	106704	Ref. No.	—
	pilot burner nozzle POLIDORO LPG code 16.2 bore \varnothing 2x0.16mm Qty 1 pcs			
	Part No.	106763	Ref. No.	4372027
	pilot burner nozzle POLIDORO natural gas code 27.2A bore \varnothing 2x0.27mm Qty 1 pcs			
	Part No.	106859	Ref. No.	—
	pilot burner nozzle POLIDORO LPG code 24 bore \varnothing 0.24mm Qty 1 pcs			

Part No.		Ref. No.	
100706		4398070	
			
description ignition electrode connection M4 Qty 1 pcs			
For models: 110-120AL-ALR, 110-120TL-TLR, 110-122AL-ALR, 110-122ALC, 110-122FELC, 110-122FEL-FELR, 110-122FLC, 110-122FL-FLR, 110-122TL, 110-122TL-TLR, 500-120AL-AR, 500-120ALC, 500-120TLC, 500-120TLTR, 500-122AL-ALR-AR, 500-122ALC, 500-122TLC, 500-122TL-TLR TR, 64-120TLC, 64-120TL-TR, 64-122TL, 64-122TLC, 64-122TLR-TR, 64-130TL-TR, 64-132TL-TLR-TR, 64-600T-603T, 700-120AL-AR-CL, 700-120ALC-CLC, 700-120CR-TL, 700-120TLC, 700-120TR, 700-122AL, 700-122ALC, 700-122ALR-AR-CL, 700-122CLC, 700-122CLR-CR TL, 700-122TLC, 700-122TLR-TR, 700-130AL-AR, 700-130CL-CR, 700-130TL-TR, 700-132AL-AR, 700-132ALR, 700-132CL-CR, 700-132CLR, 700-132TLR, 700-132TL-TR, 700-138A-C-T, 700-138FBA, 700-138FEBA... (Other models you can see in the webshop)			

electrodes

Part No.		Ref. No.		
100701		270200700		
				
description ignition electrode connection M4 Qty 1 pcs				
For models: 110-122FLC, 110-122FL-FLR, 110-200A-T, 110-200F, 110-200FE, 500-125A-126A, 500-750A, 500-800A, 64-040F-FV, 64-125T-126T, 64-222F, 700-040FB, 700-125A-C, 700-125T, 700-126A-C, 700-126T, 700-127A-C, 700-127T, 700-162FBA, 700-162FG, 700-508, 700-750A-S, 700-800A-S, 900-040F, 900-125A-C, 900-125T, 900-126A-C, 900-126T, 900-127A-C, 900-127T, 900-162FA, 900-162FG, 900-182F, 900-503, 900-506, 900-750A-S, 900-800A-S, 920-122FLC, 920-122FL-FLR-FR, 920-503, 920-506, 920-750A-S				
accessories for		100701		
	Part No.	100906	Ref. No.	—
	screw connection thread M10x1 for ignition electrode brass Qty 1 pcs WS 10			

Part No.		Ref. No.	
100761		793305370	
			
description ignition electrode flange length 23mm flange width 15mm D1 \varnothing 7mm L1 15mm L2 17mm BL1 21mm BL2 28mm fixing dimensions \varnothing 5x4mm with flange connection \varnothing 4mm			

Part No.		Ref. No.	
100760		793305360	
			
description ignition electrode flange length 23mm flange width 15mm D1 \varnothing 7mm L1 26mm L2 17mm BL1 21mm BL2 28mm fixing dimensions \varnothing 5x4mm with flange connection \varnothing 4mm			

gas components



ignition cables

pre-assembled cables



Part No.	100018	Ref. No.	5509040
description	ignition cable cable length 600mm connection $\varnothing 2.4\text{mm}$ / $\varnothing 4\text{mm}$ permanent temperature 200°C		
For models:	110-120AL-ALR, 110-120TL-TLR, 110-122AL-ALR, 110-122ALC, 110-122FELC, 110-122FEL-FELR, 110-122FLC, 110-122FL-FLR, 110-122TL, 110-122TL-TLR, 500-120AL-AR, 500-120ALC, 500-120TLC, 500-120TLTR, 500-122AL-ALR-AR, 500-122ALC, 500-122TLC, 500-122TL-TLR TR, 64-120TLC, 64-120TL-TR, 64-122TL, 64-122TLC, 64-122TLR-TR, 64-130TL-TR, 64-132TL-TLR-TR, 64-600T-603T, 64-900T, 700-120ALAR-CL, 700-120ALC-CLC, 700-120CR-TL, 700-120TLC, 700-120TR, 700-122AL, 700-122ALC, 700-122ALR-AR-CL, 700-122CLC, 700-122CLRCR-TL, 700-122TLC, 700-122TLR-TR, 700-130AL-AR, 700-130CL-CR, 700-130TL-TR, 700-132AL-AR, 700-132ALR, 700-132CL-CR, 700-132CLR, 700-132TLR, 700-132TL-TR, 700-400A-C-T, 700-402A-C-T... (Other models you can see in the webshop)		



Part No.	100019	Ref. No.	45509080
description	ignition cable cable length 900mm connection $\varnothing 2.4\text{mm}$ / $\varnothing 4\text{mm}$		
For models:	500-601A, 500-750A, 500-800A, 64-040F-FV, 64-125T-126T, 64-222F, 700-222A-C, 700-222FB, 700-222FEB, 700-222T, 700-224A-C, 700-224FBA, 700-224FEBA, 700-224FG, 700-224T, 700-601A-S, 700-602AS, 700-603A, 700-604A-605A, 700-609A, 700-750A-S, 700-800A-S, 900-182F, 900-402A-C-T, 900-601A-S, 900-602A-S, 900-604A-S, 900-605A-S, 900-609A, 900-750A-S, 900-800A-S, 920-402A-T, 920-604A-S, 920-609A, 920-750A-S		

ignition units



Part No.	101002	Ref. No.	539613240
description	ignition unit outputs 2 230VAC dimensions 88x23x34mm mounting distance 73mm inlet F6.3x0.8 outlet F2.8x0.8 0.6VA 50/60Hz		

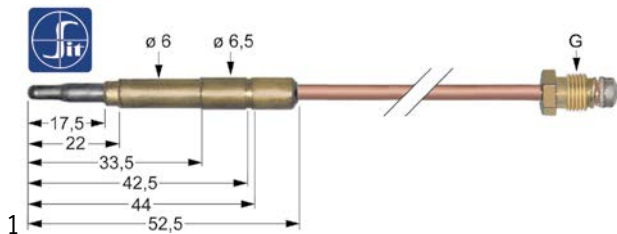
thermocouples

plug-in thermocouples

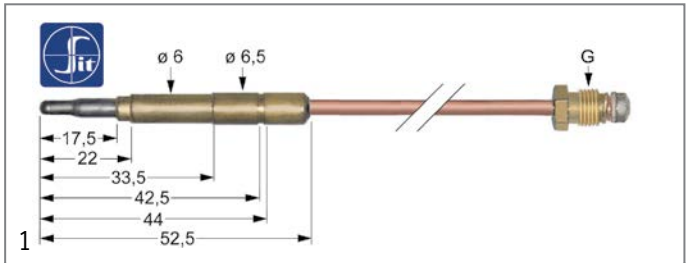
plug-in thermocouples standard

with barrel socket $\varnothing 6(6.5)\text{mm}$

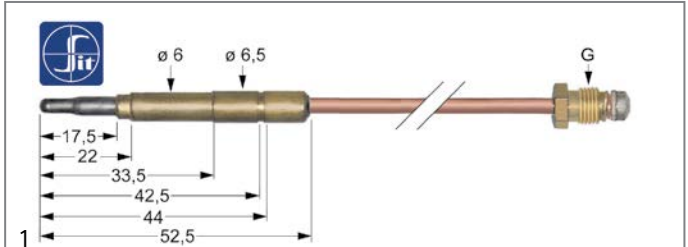
thermocouples SIT



Part No.	107603	Ref. No.	A00426
description	thermocouple SIT M8x1 L 1000mm plug connection $\varnothing 6.0(6.5)\text{mm}$		
For models:	700-020A-C-T, 700-040A-C-T, 700-040FB, 700-040FEB, 700-138A-C-T, 700-138FBA, 700-138FEBA, 700-162A-C-T, 700-162FBA, 700-162FEBA, 700-162FG, 700-222A-C, 700-222FB, 700-222FEB, 700-222T, 700-224A-C, 700-224FBA, 700-224FEBA, 700-224FG, 700-224T, 900-020A-C-T, 900-040A-C-T, 900-040F, 900-040FE, 900-138A-C-T, 900-138FA, 900-138FEA, 900-162A-C-T, 900-162FA, 900-162FEA, 900-162FG, 900-182F, 900-182FE		



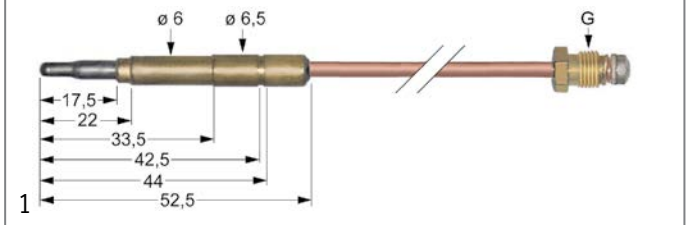
Part No.	107605	Ref. No.	A00201
description	thermocouple SIT M8x1 L 1500mm plug connection $\varnothing 6.0(6.5)\text{mm}$		



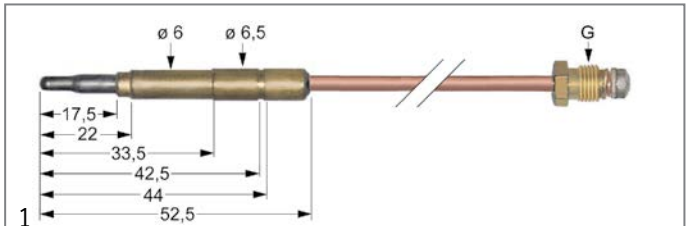
Part No.	107611	Ref. No.	434009175
description	thermocouple SIT M9x1 L 850mm plug connection $\varnothing 6.0(6.5)\text{mm}$		

For models:	110-120AL-ALR, 110-120TL-TLR, 110-122AL-ALR, 110-122ALC, 110-122FELC, 110-122FEL-FELR, 110-122FLC, 110-122FL-FLR, 110-122TL, 110-122TL-TLR, 110-200A-T, 110-200F, 110-200FE, 500-120AL-AR, 500-120ALC, 500-120TLC, 500-120TL-TR, 500-122AL-ALR-AR, 500-122ALC, 500-122TLC, 500-122TL-TLR-TR, 64-040F-FV, 64-125T-126T, 64-222F, 700-040FB, 700-040FEB, 700-120AL-AR-CL, 700-120ALC-CLC, 700-120CR-TL, 700-120TLC, 700-120TR, 700-122AL, 700-122ALC, 700-122ALR-AR-CL, 700-122CLC, 700-122CLR-CR-TL, 700-122TLC, 700-122TLR-TR, 700-138FBA, 700-162FBA, 700-200FB, 700-222FB, 700-224FBA, 700-400A-C-T, 700-401B, 700-402A-C-T, 900-040F, 900-120AL-AR, 900-120ALC, 900-120CL-CR... (Other models you can see in the webshop)		
--------------------	--	--	--

thermocouples with aluminised tip



Part No.	102043	Ref. No.	434009000
description	thermocouple M9x1 L 1000mm plug connection $\varnothing 6.0(6.5)\text{mm}$		



Part No.	102039	Ref. No.	434010100
description	thermocouple M9x1 L 320mm plug connection $\varnothing 6.0(6.5)\text{mm}$		

2 gas components



Part No.	102041	Ref. No.	434209075
description	thermocouple M9x1 L 600mm plug connection ø6.0(6.5)mm		

plug-in thermocouples with interruption

Part No.	107164	Ref. No.	434009100 4343103
description	thermocouple SIT with interrupter M9x1 L 1000mm plug connection ø6.0(6.5)mm soldering connection		
For models:	64-600T-603T, 700-508, 900-503, 900-506, 920-503, 920-506		

Part No.	107177	Ref. No.	434099045 4343106 A00425
description	thermocouple SIT with interrupter M9x1 L 600mm plug connection ø6.0mm F 6.3mm		
For models:	500-601A, 64-600T-603T, 700-601A-S, 700-602A-S, 700-603A, 700-604A-605A, 700-609A, 900-601A-S, 900-602A-S, 900-604A-S, 900-605A-S, 900-609A, 920-604A-S, 920-609A		

threaded thermocouples
threaded thermocouples standard
with socket with thread M8x1
SIT

Part No.	107632	Ref. No.	A00270
description	thermocouple SIT M8x1 L 1000mm M8x1		
accessories for	107632		
	Part No.	102067	Ref. No. —
	nut thread M8x1 H 3mm brass Qty 1 pcs type SEF 1		

Part No.	107631	Ref. No.	A00017
description	thermocouple SIT M8x1 L 850mm M8x1		
accessories for	107631		
	Part No.	102067	Ref. No. —
	nut thread M8x1 H 3mm brass Qty 1 pcs type SEF 1		

Part No.	107637	Ref. No.	A00022
description	thermocouple SIT M9x1 L 850mm M8x1		
accessories for	107637		
	Part No.	102067	Ref. No. —
	nut thread M8x1 H 3mm brass Qty 1 pcs type SEF 1		

threaded thermocouples (miscellaneous)

Part No.	102055	Ref. No.	A00016
description	thermocouple M8x1 L 450mm M8x1		
For models:	64-020T-64-040T, 64-040FCE, 64-040FE, 64-040F-FV, 64-222F, 64-222FCE, 64-222FE, 64-222T		
accessories for	102055		
	Part No.	102067	Ref. No. —
	nut thread M8x1 H 3mm brass Qty 1 pcs type SEF 1		

thermopiles

Part No.	102116	Ref. No.	434010580
description	thermopile ROBERTSHAW L 900mm probe ø 9mm probe L 57mm 250-750mV screw connection 7/16"		



gas burners

bar burners

bar burners



1

Part No.	105352	Ref. No.	A00161
description	bar burner 2 row L 650mm W 235mm ømm H 40mm gas range		
For models:	900-040F, 900-138FA, 900-162FA, 900-162FG, 900-182F, 900-200F, 900-401, 920-122FLC, 920-122FL-FLR-FR, 920-200F		



1

Part No.	105366	Ref. No.	293200290
description	bar burner ø 50mm Wmm Hmm L 298mm flange width 65mm flange length 71mm		



1

Part No.	105365	Ref. No.	293200270
description	bar burner ø 50mm Wmm Hmm L 615mm flange width 65mm flange length 71mm		



1

Part No.	105157	Ref. No.	293201090
description	bar burner ø 50mm Wmm Hmm L 775mm flange with bolt M4 flange width 65mm flange length 71mm		

gas nozzles

pilot burner nozzles

pilot burner nozzles POLIDORO



1

Part No.	100208	Ref. No.	4372022
description	pilot burner nozzle POLIDORO LPG code 20 bore ø 0.2mm Qty 1 pcs		



1

Part No.	106763	Ref. No.	4372027
description	pilot burner nozzle POLIDORO natural gas code 27.2A bore ø 2x 0.27mm Qty 1 pcs		

pilot burner nozzles SIT

100 series



1

Part No.	100245	Ref. No.	4370001
description	pilot burner nozzle LPG code 20 bore ø 0.2mm Qty 1 pcs thread M8x0.75		

140/150 series



1

Part No.	100205	Ref. No.	43702019
description	pilot burner nozzle SIT LPG code 19 bore ø 0.23/0.26mm Qty 1 pcs suitable for SIT 150 series		



1


Part No.	100206	Ref. No.	43702036
description	pilot burner nozzle SIT natural gas code 36 bore ø 0.60/0.55mm Qty 1 pcs suitable for SIT 150 series		

160 series




1

Part No.	107172	Ref. No.	43701025
description	pilot burner nozzle SIT LPG code 25 Qty 1 pcs		


1

Part No.	107650	Ref. No.	43703030
description	pilot burner nozzle SIT LPG code 30 Qty 1 pcs		




1

Part No.	107173	Ref. No.	43701035
description	pilot burner nozzle SIT natural gas code 35 Qty 1 pcs suitable for 160 series nozzle ø 0.35mm		



1


Part No.	107174	Ref. No.	43701041
description	pilot burner nozzle SIT natural gas code 41 Qty 1 pcs		



1

Part No.	107175	Ref. No.	43703051
description	pilot burner nozzle SIT natural gas code 51 Qty 1 pcs suitable for 160 series		

pressure switches




1

Part No.	541073	Ref. No.	6440001
description	pressure control ø 45mm pressure range adjustable 5-20mbar pressure connection vertical gas technology connection 1/4" pressure connection ø 1/4"mm		


knobs


producer-specific knobs

GICO




1

Part No.	112681	Ref. No.	76610000	
description	knob gas tap with ignition flame t.max.°C ø 60mm shaft ø 10x8mm shaft flat left grey			
accessories for	112681			
	Part No.	110832	Ref. No.	290202430
	knob spring			



1

Part No.	110832	Ref. No.	290202430
description	knob spring		
For models:	110-030A-T, 110-032A-T, 110-037A-T, 110-038A, 110-050A-T, 110-050FE, 110-052A, 110-052FE, 110-052T, 110-057A-T, 110-057FE, 110-058A, 110-122FELC, 110-122FEL-FELR, 110-200A-T, 110-200F, 110-200FE, 110-320AL-ALR, 110-320TL-TLR, 110-322AL-ALC-ALR, 110-322FEL-FELC-FELR, 110-322TL-TLC-TLR, 500-030A-T, 500-038A, 500-039A, 500-050A-T, 500-050FE, 500-125A-126A, 500-320AL-ALCAR, 500-320TL-TLC-TR, 500-322AL-ALC-ALR-AR, 500-322TL-TLC-TLR-TR, 64-020T-64-040T, 64-030T, 64-037T, 64-040FCE, 64-040FE, 64-040F-FV, 64-050FCE, 64-050FE-FEV, 64-050T, 64-057FE, 64-057T, 64-125T-126T, 64-132TL-TLR-TR, 64-222F, 64-222FCE, 64-222FE, 64-222T, 64-320TL-TLC-TR...(Other models you can see in the webshop)		



1

Part No.	110830	Ref. No.	290202350
description	rosette for knob red ID ø 60mm		
For models:	110-030A-T, 110-032A-T, 110-037A-T, 110-038A, 110-050A-T, 110-050FE, 110-052A, 110-052FE, 110-052T, 110-057A-T, 110-057FE, 110-058A, 110-122FELC, 110-122FEL-FELR, 110-200A-T, 110-200F, 110-200FE, 110-320AL-ALR, 110-320TL-TLR, 110-322AL-ALC-ALR, 110-322FEL-FELC-FELR, 110-322TL-TLC-TLR, 110-500A-T, 500-030AT, 500-038A, 500-039A, 500-050A-T, 500-050FE, 500-125A-126A, 500-320AL-ALC-AR, 500-320TL-TLC-TR, 500-322AL-ALC-ALR-AR, 500-322TL-TLC-TLR-TR, 500-500A, 500-701A, 700-020A-C-T, 700-030A-C-T, 700-035A-C-T, 700-037A-T, 700-038A-058A, 700-039A, 700-040A-C-T, 700-040FB, 700-040FEB, 700-050A-C-T, 700-050FEB, 700-052A-C-T, 700-052FEB, 700-054A, 700-054C...(Other models you can see in the webshop)		

gas components



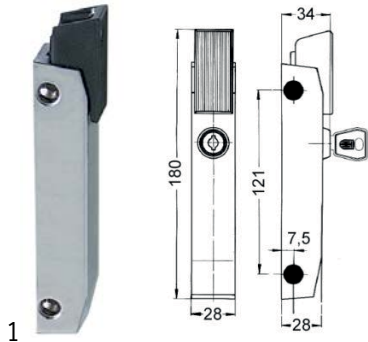
locks






edgemount latches

push button latches

RAHRBACH


6186 PRESTO series







Part No.	700045	Ref. No.	419506186
description	push button latch L 180mm mounting distance 121mm non lockable refrigeration units 6186 H 34mm W 28mm type PRESTO		
spare parts for	700045		
	Part No.	700046	Ref. No. —
	handle H 26.5mm L 55mm W 23.5mm plastic with spring spring length 14mm mounting thread M4 spring thickness 0.5mm		
accessories for	700045		
	Part No.	690108	Ref. No. —
	base plate H 5mm L 47.5mm W 21mm for swinging strike hole distance 31mm type PRESTO no. 6186		
	Part No.	690109	Ref. No. —
	base plate H 1mm L 47.5mm W 21mm plastic hole distance 31mm type PRESTO no. 6186		
	Part No.	700050	Ref. No. —
	door catch H 5mm L 47mm W 21mm hole distance 31mm with spigot refrigeration units type PRESTO no. 6186		
	Part No.	700051	Ref. No. —
	door catch H 5mm L 48mm W 21mm adjustable hole distance 31mm with spigot type PRESTO no. 6186		

handle latches



Part No.	700045	Ref. No.	419506186
description	push button latch L 180mm mounting distance 121mm non lockable refrigeration units 6186 H 34mm W 28mm type PRESTO		
spare parts for	700045		
	Part No.	700046	Ref. No. —
	handle H 26.5mm L 55mm W 23.5mm plastic with spring spring length 14mm mounting thread M4 spring thickness 0.5mm		

accessories for	700045		
	Part No.	690108	Ref. No. —
	base plate H 5mm L 47.5mm W 21mm for swinging strike hole distance 31mm type PRESTO no. 6186		
	Part No.	690109	Ref. No. —
	base plate H 1mm L 47.5mm W 21mm plastic hole distance 31mm type PRESTO no. 6186		
	Part No.	700050	Ref. No. —
	door catch H 5mm L 47mm W 21mm hole distance 31mm with spigot refrigeration units type PRESTO no. 6186		
	Part No.	700051	Ref. No. —
	door catch H 5mm L 48mm W 21mm adjustable hole distance 31mm with spigot type PRESTO no. 6186		

fittings for catering equipment

safety valves



Part No.	601099	Ref. No.	793303060
description	sealing cord shaft sealing suitable for GICO equiv. no. 793303060		




shelves and shelf rails

grates

universal

without upstand



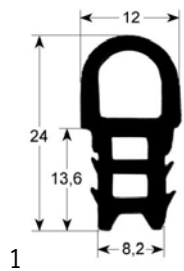
Part No.	970120	Ref. No.	793108350
description	grate W 325mm D 530mm GN 1/1 chrome-plated steel wire gauge frame 7mm lengthwise wires gauge 4mm crossing wires 1		
accessories for	970120		
	Part No.	690330	Ref. No. —
	rack L 1000mm W 22mm H 4mm aperture 3x8mm hole distance 12.5mm stainless steel		
	Part No.	694700	Ref. No. —
	shelf support L 31/28mm W 22mm H 18mm SS Qty 12 pcs		
	Part No.	694701	Ref. No. —
	shelf support L 31/28mm W 22mm H 17mm SS with hook Qty 12 pcs		



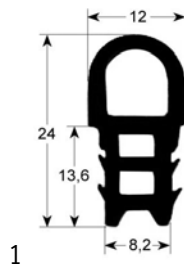
gaskets

gaskets for heated units

door seals



Part No.	900171	Ref. No.	284204130
description	door seal profile 2050 external size Qty supplied by meter		



Part No.	901316	Ref. No.	284201430 284201490 293200500 293201400 684201490
description	door seal profile 2050 L 3010mm Qty 1 suitable for GICO		

sealing cords

square



Part No.	601098	Ref. No.	793303880
description	sealing cord square size 6x6mm braided L 0.2m Qty 1		

valves and tank inlets

ball valves

ball valves electric



Part No.	403026 ¹	Ref. No.	6441001 6441002
description	ball valve inlet 1/2" IT outlet 1/2" IT 230V L 90mm 50/60Hz off-current open mode of operation electric W 60mm H 100mm connection cable 450mm IT 1/2"		

¹off-current open

GASTROPARTS.COM



© 2020 Gastroparts Sp. J. All rights reserved.