



GASTROPARTS

Falcon

[EN] Cooking

[DE] Kochtechnik

[ES] Cocción

[FR] Cuisson

[IT] Cottura

[PL] Obróbka termiczna

[RU] Термическая обработка

✉ gastroparts@gastroparts.com

☎ tel. +48 56 657 00 66

📘 fb.com/gastroparts.global

GASTROPARTS.COM






heating elements



immersion heating elements

with round flange ø57.5mm



Part No.	415849	Ref. No.	730570002
description	heating element 15000W 230V heating circuits 3 mounting ø 57.5mm L 530mm W 45mm H 30mm round flange connection M4 immersion heater tube ø 8.5mm connection length 15mm thermostat sleeves ø 7mm number of thermostat sleeves 1 length thermostat sleeves 272mm thermostat sleeve eccentric, clinging		
spare parts for	415849		
	Part No.	550002	Ref. No. —
	tension strap H 10mm L 21mm W 10mm hole ø 6.5mm for heating element		



Part No.	415848	Ref. No.	730550004
description	heating element 7500W 230V heating circuits 3 mounting ø 57.5mm L 365mm W 36mm H 50mm round flange connection M4 immersion heater tube ø 8.5mm thermostat sleeves ø 7.5mm number of thermostat sleeves 1 length thermostat sleeves 270mm thermostat sleeve eccentric, clinging		
spare parts for	415848		
	Part No.	510409	Ref. No. 730590010
	O-ring EPDM thickness 5.34mm ID ø 56.52mm Qty 1 pcs		
accessories for	415848		
	Part No.	550002	Ref. No. —
	tension strap H 10mm L 21mm W 10mm hole ø 6.5mm for heating element		

heating elements for convection





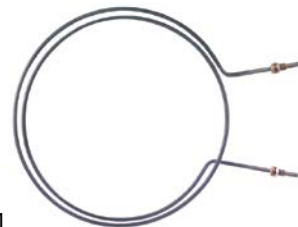
Part No.	415828	Ref. No.	730560000
description	heating element 15000W 230V heating circuits 3 ID ø 388mm ED ø 408mm L 428mm H 132mm L1 20mm W1 105mm H1 114mm H2 18mm flange length 140mm flange width 25mm hole distance 126mm connection M4 connection length 65mm tube ø 8.5mm convection heating element hole ø 6.3mm rectangular flange		



Part No.	419252	Ref. No.	530584126
description	heating element 2000W 230V heating circuits 1 ID ø 180mm ED ø 193mm L 258mm H 25mm L1 60mm W1 30mm H1 7mm H2 18mm flange length 70mm flange width 22mm hole distance 56mm connection male faston 6.3mm connection length 55mm tube ø 6.5mm convection heating element hole ø M4mm rectangular flange		




Part No.	418959	Ref. No.	530742422
description	heating element 21600W 230V heating circuits 6 ID ø 414mm ED ø 466mm L 522mm H 121.5mm L1 88mm W1 97mm H1 30.5mm H2 91mm flange length 130mm flange width 88mm connection M5 connection length 70mm tube ø 6.5mm mounting thread M6 flange with bolt M6		
accessories for	418959		
	Part No.	519647	Ref. No. 530757993
	counterflange ø 8mm perforation ø 13mm L 130mm W 88mm suitable for convection heating element 12 holes		
	Part No.	551240	Ref. No. 530749451
	gasket L 129mm W 87mm D1 ø 12mm D2 ø 7mm 12 holes graphite thickness 1mm		

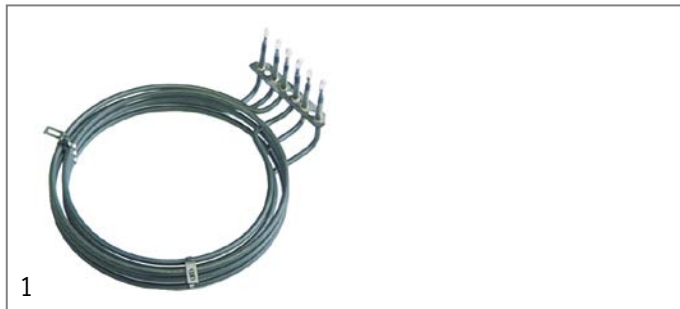


Part No.	418766	Ref. No.	530595110
description	heating element 4500W 230V heating circuits 1 ID ø 380mm ED ø 405mm L 530mm L1 100mm H 17mm thread M14x1.5 connection M4 tube ø 8.5mm		
spare parts for	418766		
	Part No.	510417	Ref. No. —
	flat gasket fibre ED ø 20mm ID ø 14mm thickness 2mm Qty 1 pcs		
accessories for	418766		
	Part No.	520228	Ref. No. —
	tooth lock washer ID ø 15.3mm ED ø 24mm steel Qty 1 pcs for thread M14		
	Part No.	520230	Ref. No. —
	nut thread M14x1.5 H 5mm WS 19 zinc-coated steel Qty 1 pcs		
	Part No.	521101	Ref. No. —
	nut thread M14x1.5 H 5mm WS 19 SS Qty 1 pcs		

Table continues overleaf







accessories for	418766			
	Part No.	550262	Ref. No.	—
	 flat gasket copper ED ø 20mm ID ø 14mm thickness 2mm			



Part No.	415805	Ref. No.	530693383
description	heating element 5700W 230V heating circuits 3 ID ø 206mm ED ø 245mm L 290mm H 42mm L1 45mm W1 97mm H1 2mm H2 40mm flange length 110mm flange width 20mm hole distance 35mm connection male faston 6.3mm connection length 58mm tube ø 6.3mm convection heating element hole ø 6.5mm rectangular flange		



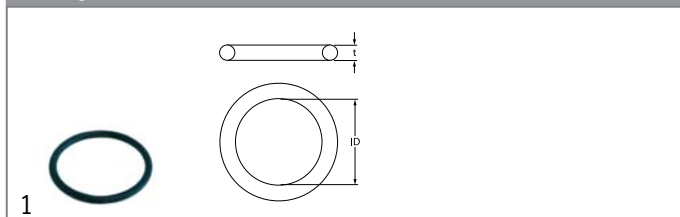
Part No.	415222	Ref. No.	530576581
description	heating element 2300W 230V heating circuits 1 L 90mm W 395mm connection M4 tube ø 8.5mm thread M14x1.5 2 hole fixing dry heating element		

accessories for	415222			
	Part No.	521103	Ref. No.	—
	 nut thread M4 H 3mm WS 7 brass Qty 20 pcs			
	Part No.	521104	Ref. No.	—
	 washer ID ø 4.3mm ED ø 8mm thickness 0.5mm brass Qty 20 pcs for thread M4			
	Part No.	560111	Ref. No.	—
	 plain washer ID ø 4.3mm ED ø 9mm thickness 0.8mm SS Qty 20 pcs DIN 125A for thread M4			
	Part No.	560131	Ref. No.	—
	 hexagonal nut thread M4 H 3.2mm WS 7 SS DIN/ISO DIN 934 / ISO 4032/8673 Qty 20 pcs			

accessories

sealing washers


O-rings



Part No.	510409	Ref. No.	730590010
description	O-ring EPDM thickness 5.34mm ID ø 56.52mm Qty 1 pcs		

flange gaskets



Part No.	551240	Ref. No.	530749451	
description	gasket L 129mm W 87mm D1 ø 12mm D2 ø 7mm 12 holes graphite thickness 1mm			
accessories for	551240			
	Part No.	519647	Ref. No.	530757993
	 counterflange ø 8mm perforation ø 13mm L 130mm W 88mm suitable for convection heating element 12 holes			

energy regulators

EGO

1-circuit



Part No.	380019	Ref. No.	737630011 E2512/22 - LD22 R8549
description	energy regulator 240V 13A single-circuit turn direction right shaft ø 6x4.6mm shaft L 23mm mounting thread M4 power release 6-100% no. 50.57071.010		
For models:	E2512, E3512, E3532		

thermostats

control and safety thermostats

EGO

control thermostats

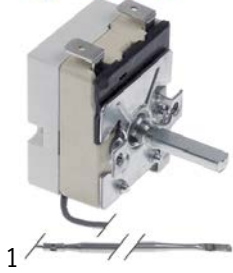
55.10/19_ series



Part No.	375070	Ref. No.	530091634 EL091634
description	thermostat t.max. 250°C temperature range 55-250°C 1-pole 1CO 16A probe ø 3.1mm probe L 226mm capillary pipe 1170mm capillary pipe isolated 1100mm gland nut M9x1 shaft L 25mm shaft position upper rotation 270°		



55.13_ series



Part No.	390843	Ref. No.	731910500 RZZ451
description	thermostat t.max. 291°C temperature range 50-291°C 1-pole 1NO 16A probe ø 3mm probe L 160mm capillary pipe 980mm capillary pipe isolated 600mm gland nut shaft ø 6x4.6mm shaft L 25mm shaft position upper rotation 270° outer switch 42.02900.000		
For models:	E3800, E720RS1, E720RS2, E720RS3, G3800		



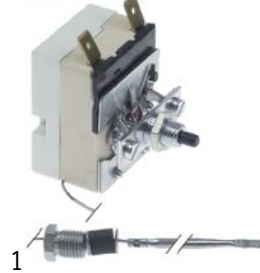
Part No.	375505	Ref. No.	531930370 539110370 539113110 R273
description	thermostat t.max. 320°C temperature range 50-320°C 1-pole 1NO 16A probe ø 3mm probe L 160mm capillary pipe 870mm capillary pipe isolated gland nut shaft ø 6x4.6mm shaft L 23mm shaft position upper rotation 270°		
For models:	E3441, E3441R, E3481, E3481R, E350-30, E350-34, E350-35		



Part No.	390862	Ref. No.	732920055 R7091
description	thermostat t.max. 90°C temperature range 71-90°C 1-pole 1NO 16A probe ø 3.1mm probe L 201mm capillary pipe 900mm capillary pipe isolated 120mm gland nut shaft ø 6x4.6mm shaft L 25mm shaft position upper rotation 40°		
For models:	E7204, E7208, E7211, G7204, G7208, G7211		

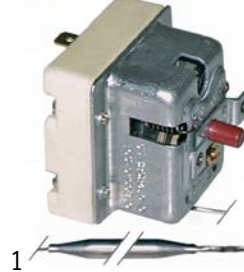
safety thermostats

55.13_ series



Part No.	390845	Ref. No.	610046 734311090
description	safety thermostat switch-off temp. 132°C 1-pole 16A probe ø 3.1mm probe L 248mm capillary pipe 830mm capillary pipe isolated gland nut M9x1 probe SS screw connection M12x0.75		
For models:	E4063, E4103, E4203		

55.32_ series



Part No.	390159	Ref. No.	530550024
description	safety thermostat switch-off temp. 150°C 1-pole 20A probe ø 6mm probe L 89mm capillary pipe 900mm capillary pipe isolated 800mm gland nut probe		

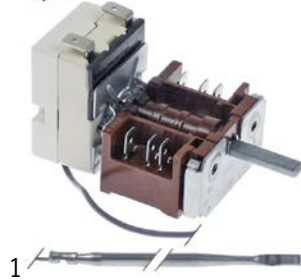


Part No.	375684	Ref. No.	530550025
description	safety thermostat switch-off temp. 360°C 1-pole 20A probe ø 11mm probe L 16mm capillary pipe 900mm capillary pipe isolated 900mm gland nut probe screw-in probe probe thread M14x1		



control thermostats with operation switch



55.13_ series



Part No.	390844	Ref. No.	600048 600406 732910210 732920049 735400230
description	thermostat temperature range 50-291°C 1-pole 1NO 16A probe ø 3mm probe L 160mm capillary pipe 980mm capillary pipe isolated 600mm gland nut shaft ø 6x4.6mm shaft L 25mm shaft position upper rotation 270° outer switch 42.02900.000		
For models:	E4069EL, E4109EL, E7202E, E7202S, E7204, E7208, E7211, G7204, G7208, G7211		



Part No.	390848	Ref. No.	732910090 802450
description	thermostat temperature range 50-291°C 1-pole 1NO 16A probe ø 3mm probe L 160mm capillary pipe 980mm capillary pipe isolated 600mm gland nut shaft ø 6x4.6mm shaft L 25mm shaft position upper rotation 270° outer switch 42.02900.000		
For models:	E7202, E7202S		
spare parts for	390848		

	Part No.	301115	Ref. No.	732910481 RZZ277
	cam switch 2 operating positions 2NO sequence 0-1 16A shaft ø 6x4.6mm shaft L 23mm connection male faston 6.3mm			
	Part No.	390843	Ref. No.	731910500 RZZ451
	thermostat t.max. 291°C temperature range 50-291°C 1-pole 1NO 16A probe ø 3mm probe L 160mm capillary pipe 980mm capillary pipe isolated 600mm gland nut shaft ø 6x4.6mm shaft L 25mm shaft position upper rotation 270° outer switch 42.02900.000			

various

control thermostats



Part No.	390842 ¹	Ref. No.	531740350 600096
description	bi-metal thermostat t.max. 250°C temperature range 100-250°C 1-pole 1NOA probe ø 4mm probe L 133mm capillary pipe 1300mm capillary pipe isolated 950mm gland nut shaft ø 6x4.6mm shaft L 23mm shaft position left rotation 290° replace set		
For models:	G1112		


¹with accessories

switches and momentary switches

microswitches

universal



Part No.	345042	Ref. No.	530570540	
description	microswitch with plunger 250V 16A 1CO connection male faston 6.3mm L 28mm ambient temperature max. 125°C mounting distance 22mm type EF83161.3 actuating force: 75g blue/black			
accessories for	345042			
	Part No.	345043	Ref. No.	—
	lever set 5-piece			


lever actuated



Part No.	347758	Ref. No.	531925260 R7391
description	microswitch with lever 250V 5A 1CO connection with cable L 35mm ambient temperature max. 85°C mounting distance 22mm with cable 500mm type V3SY1UL actuating force: 160g lever length 25mm		
For models:	E7204, E7208, E7211, G7004, G7011, G7204, G7208, G7211		

pin-plunger actuated



Part No.	345042	Ref. No.	530570540	
description	microswitch with plunger 250V 16A 1CO connection male faston 6.3mm L 28mm ambient temperature max. 125°C mounting distance 22mm type EF83161.3 actuating force: 75g blue/black			
accessories for	345042			
	Part No.	345043	Ref. No.	—
	lever set 5-piece			



M10



1

Part No.	345032	Ref. No.	730580003
description	microswitch with plunger thread M10x1 thread L 12mm 250V 16A 1CO connection male faston 6.3mm stroke 7mm mounting distance 22mm L 28mm ambient temperature max. 125°C type SP9603 actuating force: 180g		

M16



1

Part No.	345046	Ref. No.	530092444
description	microswitch with plunger thread M16x1 thread L 25mm 250V 5A 1NC/1NO connection male faston 6.3mm stroke 6mm ambient temperature max. 85°C actuating force: 400g		

system switches (ROLD)



1

Part No.	345606	Ref. No.	738060279
description	momentary switch unit 2CO 250V 16A connection male faston 6.3mm		



1

Part No.	345605	Ref. No.	738060700
description	switch 2CO 250V 16A connection male faston 6.3mm		

cam switches

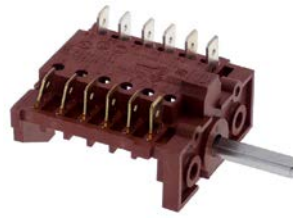
on/off



1

Part No.	301115	Ref. No.	732910481 RZZ277
description	cam switch 2 operating positions 2NO sequence 0-1 16A shaft \varnothing 6x4.6mm shaft L 23mm connection male faston 6.3mm		

4 operating positions



1

Part No.	300057	Ref. No.	530292664
description	cam switch 4 operating positions 6NO sequence 0-1-2-3 16A shaft \varnothing 6x4.6mm shaft L 23mm connection male faston 6.3mm 6CH/141 plastic		

touch sensitive light switches



1

Part No.	346388	Ref. No.	530550040
description	touch sensitive light switch 1NOVA for combi-steamer L 47mm W 20mm H 30mm		

magnetic switches

37x16mm



1

Part No.	347790	Ref. No.	530550041
description	magnetic switch L 37mm W 16mm 1NO 250V connection cable cable length 1960mm 10W with magnet nominal 0.04A		

encoders and potentiometers



1

Part No.	403084	Ref. No.	730580022
description	encoder shaft L 18mm cable length 200mm shaft 6x4.6mm		



lamps

indicator lights

indicator lights 2-piece (lens and indicator lamp)

indicator light lenses

ø12mm (type SDY-3)



1

Part No.	359262	Ref. No.	738160140
description	indicator light housings mounting measurements ø12mm green round Qty 1 pcs		

ø13mm (type SFK-3)



1

Part No.	359127	Ref. No.	738010520
description	indicator light housings mounting measurements ø13mm yellow Qty 1 pcs		

indicator lights (complete)

ø 6mm



1

Part No.	359038	Ref. No.	738010480
description	indicator light ø 6mm 230V red		



1

Part No.	359032	Ref. No.	738010490
description	indicator light ø 6mm 230V yellow		

ø10mm

with screw socket



1

Part No.	346881	Ref. No.	537810060 700025 731000008
description	indicator light ø 10mm 230V red connection male faston 6.3mm		
For models:	E2101, E2101EU, E2101EU-OTC, E2117, E2121, E2161EU, E2914i, E2962, E2965, E2994, E2995, E3101-3HP, E3101-4HP, E3101OTC-3HP, E3101OTC-4HP, E3117, E3121-3HP, E3121-4HP, E3161-3HP, E3161D, E3913i, E3914i, G2962, G2965, G2994, G2995		

Part No.	346883	Ref. No.	730962040
description	indicator light ø 10mm 230V yellow connection male faston 6.3mm		
For models:	E1100-3HP, E1100-4HP, E3405, E3800, E3862, G3800		

screw-on/push-on fit

light bulbs

for ovens



1

Part No.	359611	Ref. No.	531740340 RGG22/9
description	light bulb t.max. 300°C socket E14 40W 230V ø 45mm L 75mm lens L 50mm for oven lamp IMPORT		
For models:	E2102, E2112, G1112, G2102, G2112		

halogen lamp

for socket G4 / G6.35 / G9



1

Part No.	359596	Ref. No.	530571954 EL571954
description	halogen lamp socket G4 12V 10W temp.-resist. 500°C		

oven lamps

universal oven lamps

mounting diameter 35.5mm



1

Part No.	359705	Ref. No.	530092339
description	oven lamp glass thr. ø 35.5mm ø 52mm hard glas temp.-resist. 350°C		
accessories for	359705		

Part No.	359610	Ref. No.	—
description	light bulb t.max. 300°C socket E14 15W 230V ø 22mm L 47mm lens L 20mm for oven lamp type Philips		


Part No.	359700	Ref. No.	—
description	gasket for pizza oven fibre glass ID ø 32.5mm ED ø 55mm thickness 5mm		

Part No.	359721	Ref. No.	530693421
description	gasket silicone ED ø 48mm ID ø 39.5mm thickness 5mm Qty 1 pcs		


Part No.	359837	Ref. No.	—
description	gasket ID ø 33mm ED ø 46mm thickness 1mm graphite		

Table continues overleaf




accessories for	359705		
	Part No.	359838	Ref. No.
			—
	gasket ID ø 33mm ED ø 45mm		

55x70mm

	1		
Part No.	359375	Ref. No.	730580020
description	lamp socket complete version socket E14 mounting measurements 55x70mm		


lamps

light bulbs

	1		
Part No.	359611	Ref. No.	531740340 RGG22/9
description	light bulb t.max. 300°C socket E14 40W 230V ø 45mm L 75mm lens L 50mm for oven lamp IMPORT		
For models:	E2102, E2112, G1112, G2102, G2112		

halogen lamps

for socket G4 / G6.35 / G9



	1 500°C		
Part No.	359596	Ref. No.	530571954 EL571954
description	halogen lamp socket G4 12V 10W temp.-resist. 500°C		

timers

electric timers

	1		
Part No.	350001	Ref. No.	530330006
description	timer 2CO at 250V 16A permanent position yes impulse electric shaft ø 6x4.6mm shaft L 22mm mounting distance 28mm connection rear 2-pole operation time 120min		


mechanical timers

	1		
Part No.	350186	Ref. No.	731910460 804014
description	timer M2 2-pole operation time 120min impulse mechanical 2CO at 250V 16A permanent position yes shaft ø 6x4.6mm shaft L 23mm mounting distance 28mm		
For models:	E7002, E7202S		
accessories for	350186		
	Part No.	112627	Ref. No.
			—
	knob time 120min ø 58mm shaft ø 6x4.6mm shaft flat lower		


contactors


BENEDIKT & JÄGER

power contactors			
	1		
Part No.	380774	Ref. No.	731750860
description	power contactor resistive load 32A 230VAC (AC3/400V) 18A/7.5kW main contacts 3NO auxiliary contacts 1NO connection screw connection type K3-18ND10		
For models:	E2962, E2965, E2994, E2995		

	1		
Part No.	380637	Ref. No.	734510010
description	power contactor resistive load 45A 230VAC main contacts 3NO auxiliary contacts 1NO connection screw type K2-23A10 230		









			
1			
Part No.	381085	Ref. No.	731310080
description	power contactor resistive load 50A 230VAC (AC3/400V) 24A/11kW main contacts 3NO auxiliary contacts connection screw connection type K3-24A00230		


			
1			
Part No.	381006	Ref. No.	730560003
description	overload switch connection screw setting range 1-1.6A type ZB12		

MOELLER/EATON

power contactors

			
1			
Part No.	380550	Ref. No.	530550034
description	power contactor resistive load 20A 230VAC (AC3/400V) 9A/4kW main contacts 3NO auxiliary contacts 1NC connection screw connection type DILM9 01		
accessories for	380550		
	Part No.	380555	Ref. No. —
	auxiliary contact contacts 2NO/2NC AC15 16A for contactors DILEM connection screw type DILA-XHI22		
	Part No.	380556	Ref. No. —
	auxiliary contact contacts 4NO AC15 16A for contactors DILM 7-32 connection screw type DILA-XHI40		
	Part No.	380557	Ref. No. —
	auxiliary contact contacts 4NC AC15 16A for contactors DILM 7-32 connection screw type DILA-XHI04		
	Part No.	380558	Ref. No. —
	auxiliary contact contacts 3NO/1NC AC15 16A for contactors DILM 7-32 connection screw type DILA-XHI31		
	Part No.	380559	Ref. No. —
	auxiliary contact contacts 1NO/3NC AC15 16A for contactors DILM 7-32 connection screw type DILA-XHI13		
	Part No.	380568	Ref. No. —
	RC circuit suitable for DILM 9-12 rated 110-240V		


auxiliary contacts

			
1			
Part No.	381007	Ref. No.	730550009
description	auxiliary contact contacts 1NO/1NC AC15 10A for contactors connection screw type DILA-XHI11		

SIEMENS

power contactors

			
1			
Part No.	380652	Ref. No.	530570031
description	power contactor resistive load 22A 230VAC (AC3/400V) 9A/4kW main contacts 3NO auxiliary contacts 1NC connection screw connection type 3RT10-16-1AP02		

			
1			
Part No.	380646	Ref. No.	730570003
description	power contactor resistive load 40A 230VAC (AC3/400V) 17A/7.5kW main contacts 3NO auxiliary contacts connection screw connection type 3RT10-25-1AL20		



auxiliary contacts



1

Part No.	380647	Ref. No.	530570032
description	auxiliary contact contacts 1NO/1NC AC15 3A for contactors 3RT102 3 RT103 connection screw connection type 3RH1921-1EA11 resistive load 10A AC-12 10A		

overload switches



1

Part No.	380661	Ref. No.	730570000
description	overload switch setting range 1.4-2.0A connection screw type 3RU1116-1BB0 (AC3/400V) 0.75kW		

motor protection circuit breakers



1


Part No.	382000	Ref. No.	530570034
description	motor protection circuit breaker type 3RU1116-1EBO setting range 2.8-4A (AC3/400V) 1.5kW		

solid state relays

CELDUC



1

Part No.	402049	Ref. No.	530752401 EL752401
description	solid state relay CELDUC 1 phase 60A 24-600V 3-32VDC L 58mm W 45mm screw type SO965460		
accessories for	402049		
	Part No.	401564	Ref. No. —
heat-conducting foil L 62mm W 45mm for solid state relay			

relays

power relays

with bracket mounting



1

Part No.	380312	Ref. No.	738160210 738603330
description	power relays FINDER 230VAC 10A 3CO connection male faston 4.8mm bracket mounting dimensions 52x32.2x36.5mm manuf. no. 60.63.8.230.0000		



1

Part No.	380950	Ref. No.	600155 731580008 734243005 R6219
description	relay SCHRACK 230VAC 25A 2CO connection F6.3 with mounting strap at 250V 25A manuf. no. RM805730 250V 4-pole		
For models:	E2101EU-OTC, E2512, E2914i, E3101OTC-3HP, E3101OTC-4HP, E3512, E3913i, E3914i, G3101OTC		

level relays

GICAR



1

Part No.	401224	Ref. No.	735400300
description	level relay 230V connection F6.3 type RL30/3ES/F/G		



transformers

encapsulated transformers

multiple connections



1

Part No.	400251	Ref. No.	530572217
description	transformer 44VA		

with screw connection



1

Part No.	400127	Ref. No.	530560005
description	transformer primary 230VAC secondary 12VAC 40VA secondary 3.2A H 63mm L 75mm W 78mm connection 2-wire connection systems 50/60Hz moulded		

PMA



1

Part No.	400126	Ref. No.	530550038
description	transformer primary 230VAC secondary 12VAC 20VA secondary 2.1A connection screw 50Hz		

probes

universal probes

temperature probes



1

Part No.	381363	Ref. No.	530550052
description	temperature probe thermocouple K (NiCr-Ni) probe -50 up to 1150°C cable -50 up to +180°C cable length 1.5m thread M10x1 adapter length 93mm adapter ø 6mm cable colours silver/yellow probe L 90/14mm probe ø 6/3mm		

producer-specific probes

probes



1

Part No.	378324	Ref. No.	600534 734310370
description	temperature probe NTC cable Vetrotex probe -40 up to +110°C cable -50 up to +350°C connection 2-wire thread 1/8" probe ø5x100mm cable length 0.4m		
For models:	E4063, E4103, E4203		

core probes



1

Part No.	378358	Ref. No.	530747017
description	core temperature probe		



1

Part No.	379510	Ref. No.	530550054
description	core temperature probe thermocouple K (NiCr-Ni) cable PTFE probe -40 up to +250°C cable -40 up to +250°C connection 6-pin connector probe ø3.5x90mm thread cable length 1.1m handle ømm handle length 90mm		

electronics

frequency converters



1

Part No.	403841	Ref. No.	530550035
description	frequency converter with heat sink for combi-steamer L 135mm W 135mm 800W ECS P0010205-0		

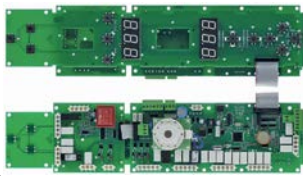


PCBs



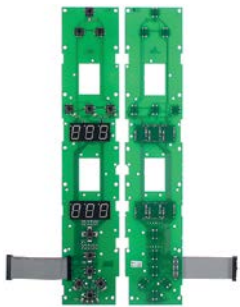
1

Part No.	403181	Ref. No.	530742457 EL742457
description	conversion kit combi-steamer Genius T 6-11 10-11 L 155mm W 115mm cable length 60mm display with PCB		



1

Part No.	403821	Ref. No.	530550049
description	keypad PCB for combi-steamer		



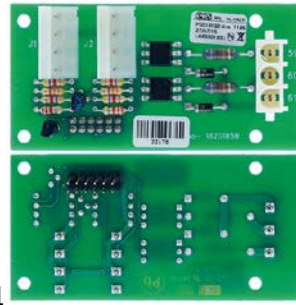
1

Part No.	403823	Ref. No.	530550132
description	keypad PCB for combi-steamer L 443mm W 83mm		



1

Part No.	401962	Ref. No.	530550044
description	PCB combi-steamer HME 611/1011		



1

Part No.	403828	Ref. No.	530550047
description	PCB for combi-steamer L 85mm W 42mm		

solenoid valves

solenoid valves (water)

ELBI

straight



1

Part No.	373025	Ref. No.	738010600
description	solenoid valve triple straight 230VAC inlet 3/4" outlet 11.5mm DN10 ELBI		

spare parts for 373025



Part No.	370467	Ref. No.	—
description	solenoid valve filter suitable for ELBI		

MÜLLER

medium temperature: 90°C
duty cycle: 100%



1

Part No.	370002	Ref. No.	734310265 R2027
description	solenoid valve single straight 230VAC inlet 3/4" outlet 14.5mm DN10 t.max. 90°C duty cycle 100% MÜLLER		

For models: E4063, E4103

spare parts for 370002



Part No.	370127	Ref. No.	—
description	solenoid valve body single straight inlet 3/4" outlet 14.5mm DN10 t.max. 90°C duty cycle 100% MÜLLER 230V		










Part No.	371002	Ref. No.	—
description	solenoid valve holder MÜLLER flange support		





Part No.	371009	Ref. No.	—
description	compression spring for solenoid coil		

Table continues overleaf




spare parts for 370002			
	Part No.	371011	Ref. No. —
	spare parts kit membrane with long star star hight 8mm MÜLLER		
	Part No.	371017	Ref. No. —
	solenoid coil MÜLLER 230VAC connection male faston 6.3mm		
	Part No.	371122	Ref. No. 530249688
	solenoid valve filter ø 19mm H 10mm suitable for MÜLLER		
	Part No.	501161	Ref. No. —
	tap head for solenoid valve holder for solenoid coils		
accessories for 370002			
	Part No.	371010	Ref. No. —
	solenoid coil 230VAC connection with cable cable length 2000mm		
	Part No.	371037	Ref. No. —
	solenoid coil 24VAC 50/60Hz connection male faston 6.3mm		
	Part No.	371038	Ref. No. —
	solenoid coil 230VAC connection appliance plug		


spare parts and accessories			
filters			
	1		
Part No.	371122	Ref. No.	530249688
description	solenoid valve filter ø 19mm H 10mm suitable for MÜLLER		


RPE			
JOHN GUEST			
	1		
Part No.	374032 ¹	Ref. No.	730550006
description	solenoid valve double straight 230VAC inlet 3/4" outlet 10mm DN10 plastic output A w/t membrane (constantly open)		

¹cylindrical outlet


	1		
Part No.	370768 ¹	Ref. No.	530550028
description	solenoid valve single straight 230VAC inlet 3/4" outlet 10mm input/ min output/ min DN10 t.max. 90°C duty cycle 100% RPE		


¹cylindrical outlet

solenoid valves with reducers			
2-fold			
	1		
Part No.	374031	Ref. No.	530550029
description	solenoid valve double straight 230VAC inlet 3/4 outlet JG 10 input 10-12l/min t.max. 90°C RPE plastic flow regulating valve inlet white + outlet reducer red		

3-fold			
	1		
Part No.	374014 ¹	Ref. No.	530570030
description	solenoid valve triple straight 230VAC inlet 3/4" outlet 10mm input 10-12l/min RPE plastic flow regulating valve inlet white flow regulating valve outlet A red/green flow regulating valve outlet B red/green flow regulating valve outlet C red/green		

¹cylindrical outlet

	1		
Part No.	374033	Ref. No.	730580007
description	solenoid valve triple straight 230VAC inlet 3/4" outlet 10mm input 10-12l/min t.max. 90°C RPE plastic flow regulating valve inlet white output B w/t membrane (constantly open)		

TP			
solenoid valves with reducers			
	1		
Part No.	370245	Ref. No.	738270080
description	solenoid valve single straight 24VAC inlet 3/4" outlet 11.5mm input 16l/min t.max. 90°C TP plastic flow regulating valve inlet light brown		



solenoid valves (gas)

various



1

Part No.	370711	Ref. No.	531750320 531930530 701251
description	solenoid valve gas 2-ways 230VAC inlet 1/2" IT outlet 1/2" IT connection cable L 69mm BLACK TEKNIGAS approval IP40 overall height 94mm		
For models:	G1962, G1965, G1994, G1995, G2962, G2965, G2994, G2995, G7004, G7008, G7011, G7204, G7208, G7211		

Solenoid valve - accessories

filters



1

Part No.	371122	Ref. No.	530249688
description	solenoid valve filter ø 19mm H 10mm suitable for MÜLLER		



1

Part No.	530903	Ref. No.	730580018
description	solenoid coil plug type F6.3x0.8 230V for combi-steamer		

ball valves electric



1

Part No.	403042	Ref. No.	730610000
description	ball valve inlet 3/4" IT outlet 3/4" IT 230V L 68mm closed off-current mode of operation electric connection cable 400mm		

pressure switches

for gas equipment



1

Part No.	541073	Ref. No.	530550019
description	pressure control ø 45mm pressure range adjustable 5-20mbar pressure connection vertical gas technology connection 1/4" pressure connection ø 1/4"mm		

for steam control



1

Part No.	541074	Ref. No.	730550001
description	pressure control ø 45mm triggering pressure 0.5bar reset pressure 0.35bar pressure connection vertical steam control pressure range 0.35/0.51bar connection 1/8" pressure connection 1/8"		

for combi-steamers



1

Part No.	541526	Ref. No.	530784028
description	pressure control p max 0.5bar pressure connection 1/8"		


electrodes





1

Part No.	401209	Ref. No.	735400440 R2950
description	level electrode 1/4" total length 180mm probe L 155mm insulated probe length 70mm PTFE insulated connection male faston 6.3mm stainless steel ø 2.5mm		
For models:	E4069EL, E4069TC-TMS, E4109EL, E4109TC-TMS		



			
1			
Part No.	403145	Ref. No.	734310300 R2265
description	level electrode 2 hole flange total length 100mm probe Lmm insulated probe lengthmm no probe connection M6x1 ceramic ø 32mm		
For models:	E4063, E4103, E4203, G4069, G4109		

			
1			
Part No.	403144	Ref. No.	610044 734310310
description	level electrode 2 hole flange total length 215mm probe L 116mm insulated probe lengthmm connection M6x1		
For models:	E4063, E4103, E4203, G4069, G4109		

			
1			
Part No.	400130	Ref. No.	530550051
description	level electrode M14x1.25 total length 220mm probe L 194mm insulated probe length 26mm connection male faston 6.3mm ø 2.5mm		


fans

axial fans

ebm-papst

			
1			
Part No.	601715 ¹	Ref. No.	735400360
description	axial fan L 119mm W 119mm H 38mm 230VAC 50Hz 18W bearing ball bearing manuf. no. 4656ZW metal connection cable 310mm ebm-papst fan wheel ø 110mm temp.-resist. 75°C		

¹with ball bearings

			
1			
Part No.	601038 ¹	Ref. No.	534500190 R7272
description	axial fan L 80mm W 80mm H 38mm 230VAC 50/60Hz 12W bearing ball bearing manuf. no. 8556N metal connection cable 300mm ebmpapst fan wheel ø 75mm temp.-resist. 90°C airflow 50m³/h		
For models:	E3913i, E3914i, G1808-CE, G1808-Pre-CE, G1838-CE, G1848-CE, G1848-Pre-CE		
accessories for	601038		
	Part No.	691102	Ref. No. —
	guard ø 75mm mounting distance 71mm for axial fan 80mm		


¹with ball bearings

import


			
1			
Part No.	601081 ¹	Ref. No.	530560003
description	axial fan L 80mm W 80mm H 38mm 230VAC 50/60Hz 14/13.5W bearing ball bearing connection male faston 2.8mm metal ADDA fan wheel ø 75mm temp.-resist. 70°C		
accessories for	601081		
	Part No.	691102	Ref. No. —
	guard ø 75mm mounting distance 71mm for axial fan 80mm		




¹with ball bearings





hot air motors


			
1			
Part No.	550859	Ref. No.	530560016
description	counterflange for fan motor ED ø 60mm int. ø 1 34mm int. ø 2 25mm thickness 6mm brass		








			
1			
Part No.	510675	Ref. No.	530373621
description	counterflange for fan motor ED \varnothing 60mm int. \varnothing 2 30mm thickness 5mm stainless steel		


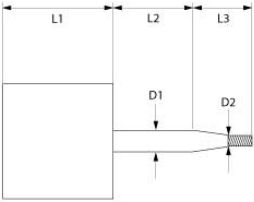
			
1			
Part No.	601856	Ref. No.	730550005
description	fan motor 220-240V 1 phase 50/60Hz 0.075kW 2800/3200rpm speeds 1 L1 85mm L2 30mm L3 23mm L4 12mm D1 \varnothing 8x6mm D2 \varnothing 8mm 0.6A suitable capacitor 5 μ F/400V		
accessories for	601856		
	Part No.	365017	Ref. No. —
	operating capacitor capacity 5 μ F 450V tolerance 5% 50/60Hz ambient temperature max. -25 to +85°C \varnothing 28mm L 54mm M8 plastic connection male faston 6.3mm 16.10.08 protection		
	Part No.	560129	Ref. No. —
	hexagonal nut thread M5 H 4mm WS 8 SS DIN/ISO DIN 934 / ISO 4032/8673 Qty 1 pcs		

			
1			
Part No.	500658	Ref. No.	530560002
description	fan motor 230/400V 3 phase 50/60Hz 0.55kW 1400/1700rpm speeds 1 L1 145mm L2 47mm L3 47mm D1 \varnothing 24mm D2 \varnothing 20mm M12L IT 2.6-2.3/1.5-1.3A (at 50-60Hz)A Cos(fi) 0.73 at 50Hz 200-240/415V at 60Hz 200-240/480V at 50Hz 1400rpm at 60Hz 1700rpm		
spare parts for	500658		
	Part No.	511172	Ref. No. 530560025
	shaft sealing ID \varnothing 24mm ED \varnothing 29mm thickness 3mm		
accessories for	500658		
	Part No.	560449	Ref. No. —
	hexagonal screw thread M12x1.5 L thread L 22mm bore \varnothing 6.3mm WS 19 total length 30mm		
	Part No.	601244	Ref. No. 530560007
	fan wheel D1 \varnothing 350mm H1 114mm blades 12 D2 \varnothing 19.5mm D3 \varnothing 23mm H2 45mm		


			
1			
Part No.	500102	Ref. No.	530332410
description	fan motor 230-240V 1 phase 50Hz 0.09kW 1390rpm speeds 1 L1 150mm L2 32mm L3 27mm \varnothing 125mm M10R IT 1.1A suitable capacitor 4 μ F/400V power input 200W at 50Hz 1390rpm type L7yzw4B-207 no. X5 D1 \varnothing 17mm D2 \varnothing 14mm		


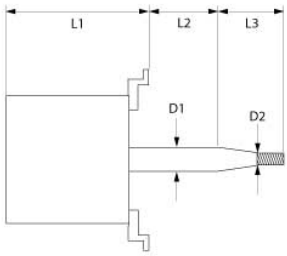
			
1			
Part No.	601474	Ref. No.	530693286
description	fan motor 230V 1 phase 50/60Hz 0.03kW 3600rpm speeds 1 L1 115mm L2 20mm L3 32mm \varnothing 12mm shaft flat length 23mm 7.5/8 0.35/0.56A suitable capacitor 3 μ F/400V power input 75/125W at 50Hz 3600rpm type L5ow2B-317 no. W9		
spare parts for	601474		
	Part No.	365191	Ref. No. —
	operating capacitor capacity 3 μ F 400V tolerance 5% 60Hz ambient temperature max. -40 up to +85°C \varnothing 30mm L 85mm M8 aluminium connection cable 400mm MLR25L40303063		
accessories for	601474		
	Part No.	602166	Ref. No. 530693375
	fan wheel blades 9 D1 \varnothing 175mm D2 \varnothing 8mm D3 \varnothing 8mm H1 30mm H2 28mm ED 6-23		

			
1			
Part No.	500659	Ref. No.	530560023
description	fan motor 230V 1 phase 50/60Hz 0.55kW 1400/1700rpm speeds 1 L1 150mm L2 52mm L3 45mm D1 \varnothing 24mm D2 \varnothing 20mm M12L IT 3A suitable capacitor 20 μ F/450V Cos(fi) 0.9 at 50Hz 1400rpm at 60Hz 1700rpm type 3042A2350		
spare parts for	500659		
	Part No.	511172	Ref. No. 530560025
	shaft sealing ID \varnothing 24mm ED \varnothing 29mm thickness 3mm		


1

Part No.	500680	Ref. No.	530550117
description	fan motor 230V 1 phase 50Hz 0.37kW 2800rpm speeds 1 L1 121mm L2 77mm L3 31mm D1 ø 16mm D2 ø 11mm 2.5A Cos(fi) 0.95 at 50Hz 230V at 50Hz 2800rpm type 1057.2155		
accessories for	500680		
	Part No.	601060	Ref. No. —
description	fan wheel D1 ø 180mm H1 60mm blades 16 D2 ø 11mm D3 ø 16mm H2 30mm		


1

Part No.	601864	Ref. No.	530742740
description	fan motor 380-415V 3 phase 50Hz 0.21kW 700/1400rpm speeds 2 L1 160mm L2 25mm L3 40mm D1 ø 17mm D2 ø 13mm M10R IT at 50Hz 700/1400rpm type 3081DH4052		




1

Part No.	601871	Ref. No.	530302821
description	fan motor 230V 1 phase 50Hz 85kW 2400rpm speeds 1 L1 85mm L2 40mm L3 33mm L4 133.5mm fan wheel ø 180mm at 50Hz 230V at 60Hz 230V at 50Hz 2600rpm at 60Hz 2850rpm type R2E180-AU01-09		




1

Part No.	602145	Ref. No.	530550066
description	fan wheel D1 ø 240mm D2 ø 11mm SS D3 ø 16mm H1 83mm blades 6		




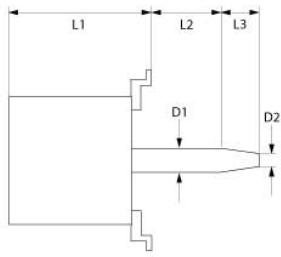
1

Part No.	501566	Ref. No.	530550118
description	fan motor 230V 3 phase 50Hz 0.25kW 2700rpm L1 122mm L2 77mm L3 30mm D1 ø 15mm D2 ø 8mm M10 1.5A type FIR no. 1057.2650		




1

Part No.	602168	Ref. No.	530899992
description	fan wheel for motor cooling ED ø 180mm H 20mm ID ø 25mm		


1

Part No.	500170	Ref. No.	530390052
description	fan motor 3 phase		



1


Part No.	550858	Ref. No.	530560015
description	flange for fan motor ED ø 60mm int. ø 1 28.5mm int. ø 2 25mm thickness 4mm brass		





1


Part No.	510673	Ref. No.	530580600
description	flange for fan motor ED ø 60mm int. ø 1 43mm int. ø 2 29mm thickness 6mm stainless steel		



			
1			
Part No.	550860	Ref. No.	730580014
description	flange for gasket ED \varnothing 35mm int. \varnothing 1 22mm int. \varnothing 2 9mm thickness 8mm brass		


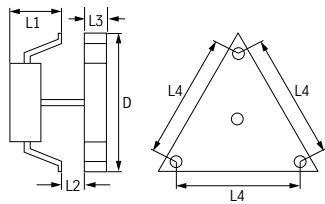
			
1			
Part No.	550861	Ref. No.	730580034
description	shaft seal for fan motor ID \varnothing 7.5mm ED \varnothing 22mm thickness 7mm		

			
1			
Part No.	511172	Ref. No.	530560025
description	shaft sealing ID \varnothing 24mm ED \varnothing 29mm thickness 3mm		


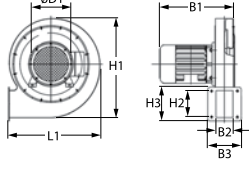
			
1			
Part No.	694997	Ref. No.	530782939
description	speed sensor for hot air motors cable length 450mm		

hot air fans

ebm-papst

			
1			
			
Part No.	601249	Ref. No.	535420010 RZZ263
description	hot air fan 230V 32W 0.27A L1 60mm L2 20mm L3 20mm L4 157mm fan wheel \varnothing 150mm ebm-papst type R2K150-AC01-15		
For models:	E2101EU-OTC, E31010TC-3HP, E31010TC-4HP, G21010TC, G31010TC		



radial fans


			
1			
			
Part No.	601181	Ref. No.	530550023
description	radial fan 230V voltage AC 50Hz 100W H1 170mm L1 175mm D1 \varnothing 50mm W1 115mm W2 40mm H2 45mm		

motors

gear motors

for combi-steamers

			
1			
Part No.	502288	Ref. No.	530550027
description	gear kit 8W 230V voltage AC 30rpm shaft \varnothing 6mm L 75mm W 87mm H 84mm conversion kit		
spare parts for	502288		
	Part No.	502291	Ref. No.
			—
	gear motor METEOR type 58U59DB4A1/00 8W 230V voltage AC 50Hz 30rpm shaft \varnothing 6x5mm L 69mm W 49mm H 65mm		


			
1			
Part No.	502293	Ref. No.	530753807
description	gear motor SYNCHRONOUS MOTOR type 60SM60-63-S 14W 230V voltage AC 50/60Hz 20/40rpm shaft \varnothing 6x5mm L 82mm W 60mm H 60mm kit		






pumps


booster pumps II

accessories

			
1			
Part No.	365015	Ref. No.	530550039
description	operating capacitor capacity 10µF 400V tolerance 5%Hz ambient temperature max. -25 to +85°C ø 35.5mm L 59mm M8 plastic connection male faston 6.3mm protection		

vibration pumps

			
1			
Part No.	500568	Ref. No.	530550032
description	vibration pump 230V 32W 50Hz inlet ø 7 outlet ø 1/8" IT CEME type E512/A32		
spare parts for	500568		
	Part No.	390698	Ref. No. —
	thermal fuse switch-off temp. 110°C suitable for ULKA pump		
	Part No.	520153	Ref. No. —
	bracket rubber dimensions 53x34x28mm		

			
1			
Part No.	501567	Ref. No.	530550178
description	vibration pump type HF 230V 22W 50Hz inlet ø 6 outlet ø 6 ULKA plastic L 97mm connection male faston 4.8mm		

condensators & interference suppression filters


operating capacitors

plastic

			
1			
Part No.	365015	Ref. No.	530550039
description	operating capacitor capacity 10µF 400V tolerance 5%Hz ambient temperature max. -25 to +85°C ø 35.5mm L 59mm M8 plastic connection male faston 6.3mm protection		


filters


interference suppression filters

			
1			
Part No.	365044	Ref. No.	530570037
description	interference suppression filter type FC701Y2F 250V 50-60Hz conductor 2 with E connection cable 200mm L 42mm ø 23mm Hmm Wmm plastic Qty 1 pcs		


fuses

fine fuses

			
1			
Part No.	358595	Ref. No.	730580042
description	fine fuse size ø5x20mm 0.2A slow-acting rated 250V Qty 10 pcs		

			
1			
Part No.	358703	Ref. No.	530560030
description	fine fuse size ø5x20mm 0.4A slow-acting rated 250V Qty 10 pcs		


fine fuse holders


			
1			
Part No.	550105	Ref. No.	730326941
description	rail-mounted terminal WIELAND type WK10/SIU 5X20 /V0 suitable fuse ø5x20mm 1.0-16mm² 10A rated 250V		




screw locks

D0-system (NEOZED)


			
1			
Part No.	358043	Ref. No.	530658294
description	fuse size D01 16A rated 250/400V E14 ø 11mm L 36mm Qty 10 pcs		

			
1			
Part No.	358045	Ref. No.	530751863
description	fuse size D02 35A rated 250/400V E18 ø 15mm L 36mm Qty 10 pcs		

gauge pieces (NEOZED)

			
1			
Part No.	358067	Ref. No.	530751855
description	gauge piece size D02 suitable for 35A		

overload switches

			
1			
Part No.	358515	Ref. No.	530550036
description	overload switch drop-away current 2.5A		


electric accessories

terminals

rail-mounted terminals

WIELAND




fuse terminal blocks




			
1			
Part No.	550105	Ref. No.	730326941
description	rail-mounted terminal WIELAND type WK10/SIU 5X20 /V0 suitable fuse ø5x20mm 1.0-16mm² 10A rated 250V		

gas valves and ignition boxes

gas control valves

HONEYWELL

			
1			
Part No.	106012	Ref. No.	530550016
description	gas valve type VK4115V 220-240V 50/60Hz gas inlet flange 32x32mm gas outlet flange 32x32mm thermocouple connection pilot connection pressure range 15-60mbar max 60mbar operator type HONEYWELL hole distance 24mm flange 32x32mm		
accessories for	106012		
	Part No.	102845	Ref. No. —
	gas connection angled 1/2" flange 32x32mm hole distance 24x24mm Tandem		
	Part No.	102846	Ref. No. —
	gas connection straight 1/2" flange 32x32mm hole distance 24x24mm suitable for Tandem		

			
1			
Part No.	106206	Ref. No.	530744050
description	gas valve type VK4115V 220-240V 50/60Hz gas inlet flange 32x32mm gas outlet flange 32x32mm thermocouple connection pilot connection pressure range 15-60mbar max 60mbar operator type HONEYWELL suitable for hole distance 24mm flange 32x32mm		
accessories for	106206		
	Part No.	102845	Ref. No. —
	gas connection angled 1/2" flange 32x32mm hole distance 24x24mm Tandem		
	Part No.	102846	Ref. No. —
	gas connection straight 1/2" flange 32x32mm hole distance 24x24mm suitable for Tandem		








SIT

NOVASIT



1

Part No.	107239	Ref. No.	537350006
description	gas valve SIT series Novasit 820 0.17VHz gas inlet 1/2" gas outlet 1/2" thermocouple connection M9x1 pilot connection M10x1 ignition pressure 3-5mbar pressure range 3-30mbar pressure regulator connection blind equiv. no. 0820303 supply Operator millivolt		
spare parts for	107239		
	Part No.	100110	Ref. No. —
	pilot burner SIT type 190 series 3 flames nozzle ømm gas connectionmm		
	Part No.	101065	Ref. No. —
	magnet unit with cable L 44mm D1 ø 30mm D2 ø 20mm suitable for NOVASIT		
	Part No.	101305	Ref. No. —
	gas connection straight 1/2" flange 45x45mm ELETTROSIT/V4400/4600/4605 suitable for SIT/HONEYWELL hole distance 36x36mm		
	Part No.	101306	Ref. No. —
	gas connection angled flange 45x45mm hole distance 36x36mm 1/2" ELETTROSIT/V4400/4600/4605 screw with O-ring suitable for SIT/HONEYWELL		
	Part No.	101307	Ref. No. —
	gas connection straight flange 45x45mm hole distance 36x36mm 3/4" ELETTROSIT/V4400/4600/4605 screw with O-ring suitable for SIT/HONEYWELL		
	Part No.	101308	Ref. No. —
	gas connection angled flange 45x45mm hole distance 36x36mm 3/4" ELETTROSIT/V4400/4600/4605 screw with O-ring suitable for SIT/HONEYWELL		
	Part No.	101312	Ref. No. —
	microswitch		
	Part No.	101799	Ref. No. —
	knob adapter shaft ø 10x8mm shaft L 18mm catch lower suitable for ZANUSSI shaft flat upper		
	Part No.	102116	Ref. No. 537350005 R3825
	thermopile ROBERTSHAW L 900mm probe ø 9mm probe L 57mm 250-750mV screw connection 7/16"		

TANDEM



1


Part No.	107303	Ref. No.	534400080 R2885
description	gas valve 230V 50Hz gas inlet 1/2" gas outlet 1/2" pilot connection M10x1 ignition time 3-7s pressure range 3-50mbar power supply for modulator type Tandem 830 SIT equiv. no. 0.830.033		
For models:	G4069, G4109		

ignition boxes

HONEYWELL



1

Part No.	101165	Ref. No.	536113060 G113060
description	ignition box HONEYWELL type S4560A 1008 equiv. no. S4560A 1008 electrodes 1 waiting time 0s safety time 10s 220-240V 10VA 50Hz		
spare parts for	101165		
	Part No.	358696	Ref. No. —
	fine fuse size ø5x20mm 4A medium lag rated 250V Qty 10 pcs		



1

Part No.	103109	Ref. No.	530550018
description	ignition box HONEYWELL type S4565C 1116 electrodes 2 waiting times safety time 5s 220-240V 4VA 50/60Hz		



SIT



1

Part No.	102387	Ref. No.	534400107 R2886
description	ignition box SIT type 503EFD electrodes 1 waiting time 1.5s safety time 60s 220/240V 12VA 50-60Hz protection IP20		
For models:	G4069, G4109		

gas solenoid valves

various



1

Part No.	370711	Ref. No.	531750320 531930530 701251
description	solenoid valve gas 2-ways 230VAC inlet 1/2" IT outlet 1/2" IT connection cable L 69mm BLACK TEKNIGAS approval IP40 overall height 94mm		
For models:	G1962, G1965, G1994, G1995, G2962, G2965, G2994, G2995, G7004, G7008, G7011, G7204, G7208, G7211		

ignition parts

pilot burners

SIT



1

Part No.	100205	Ref. No.	535410015 RH39
description	pilot burner nozzle SIT LPG code 19 bore \varnothing 0.23/0.26mm Qty 1 pcs suitable for SIT 150 series		
For models:	G2107EU, G2107-SB, G3107, G3107D, G3127		



1

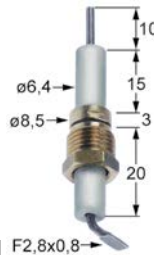
Part No.	100206	Ref. No.	530961100 RH36/4
description	pilot burner nozzle SIT natural gas code 36 bore \varnothing 0.60/0.55mm Qty 1 pcs suitable for SIT 150 series		
For models:	G3107, G3107D, G3127		

electrodes



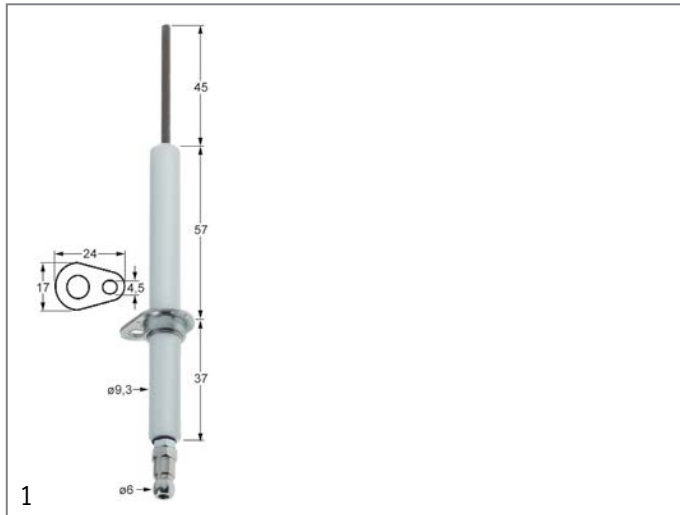
1

Part No.	107294	Ref. No.	531930585 T466007
description	bracket for ignition electrode L 112mm W 50mm bore \varnothing 14x13mm		
For models:	G7004, G7008, G7011, G7204, G7208, G7211		

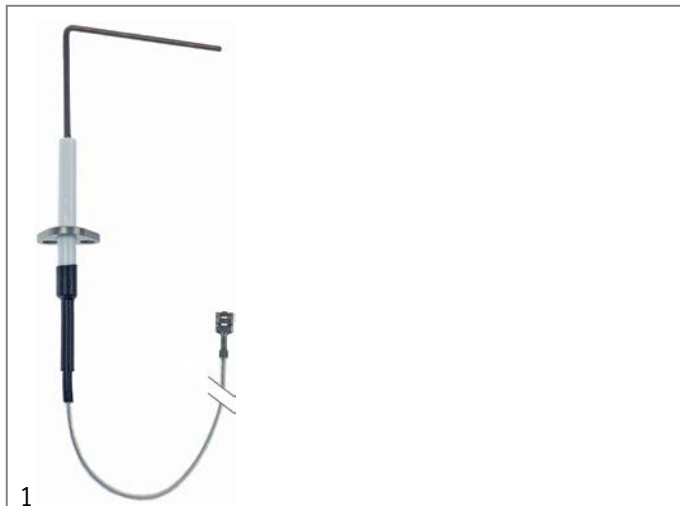


1

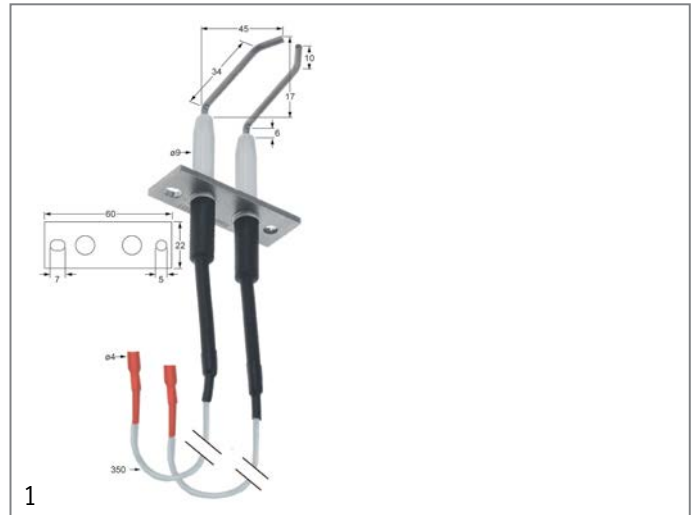
Part No.	107281	Ref. No.	530760010 537350007 801498 R3823
description	ignition electrode D1 \varnothing 6.4mm D2 \varnothing 8.5mm L1 10mm BL1 15mm BL2 3mm BL3 20mm connection male faston 2.8mm M10x1		
For models:	G2078TC-135L, G3203, G3206, G3830, G3860, G3865		




Part No.	106756	Ref. No.	530550017
description	ignition electrode flange length 24mm flange width 17mm D1 ø 9.3mm L1 45mm BL1 57mm BL2 37mm connection ø6 fixing dimensions ø4.5mm A1/B13/C2		

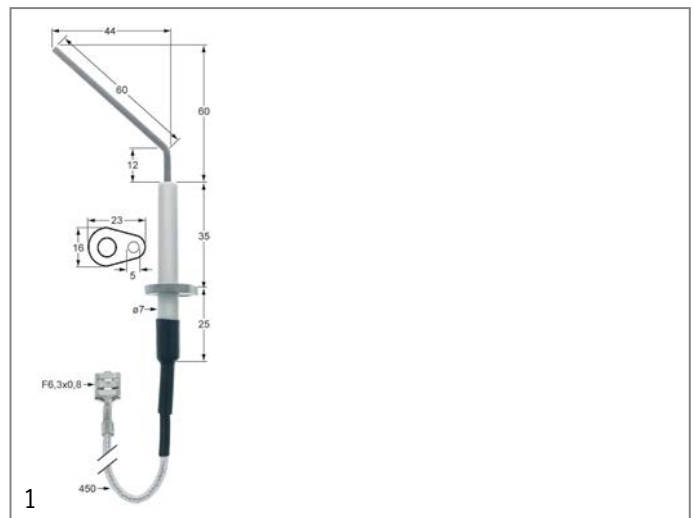


Part No.	107890	Ref. No.	530507184
description	ignition electrode flange length 24mm flange width 20mm D1 ø 7mm L1 45mm L2 70mm BL1 35mm BL2 22mm connection F6.3 cable length 450mm mounting distance 9mm		

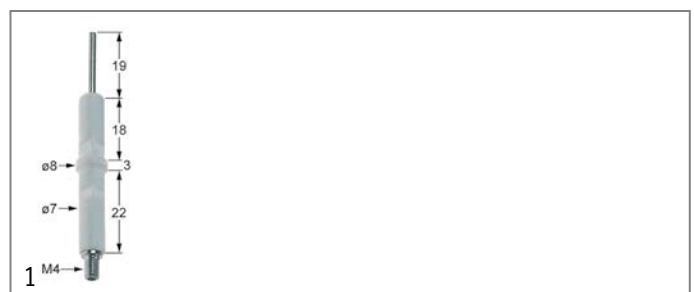


Part No.	106996	Ref. No.	530874787
description	ignition electrode flange length 60mm flange width 22mm D1 ø 9mm L1 17mm L2 45mm L3 6mm L4 34/10mm BL1 37mm BL2 32mm cable length 350mm connection ø 4mm		

accessories for	106996			
	Part No.	699472	Ref. No.	—
	gasket ignition electrode ID ø 13mm hole ø 6mm L 60mm W 22mm suitable for ELOMA graphite			



Part No.	106997	Ref. No.	530874906
description	monitoring electrode connection ø F6.3mm flange length 23mm flange width 16mm D1 ø 7mm L1 60mm L2 44mm L4 12mm L3 60mm BL1 35mm BL2 25mm connection F6.3x0.8 cable length 450mm fixing dimensions ø5mm		



Part No.	106516	Ref. No.	530961630
description	monitoring electrode D1 ø 7mm D2 ø 8mm connection M4 L1 19mm BL1 18mm BL2 3mm BL3 22mm		



ignition units



1	Part No.	104688	Ref. No.	530550037
---	-----------------	--------	-----------------	-----------

description ignition unit outputs 1 220-240VAC dimensions 84x62x38mm mounting distance 59mm inlet F6.3x0.8 outlet ø4mm type TRK2-30PVD 69VA 50/60Hz 0.3A protection IP00



1	Part No.	107278	Ref. No.	531930480 804031
---	-----------------	--------	-----------------	---------------------

description ignition unit outputs 2 220-240VAC 50-60Hz

For models: G1808-CE, G1808-Pre-CE, G1838-CE, G1848-CE, G1848-Pre-CE, G7004, G7008, G7011, G7204, G7208, G7211

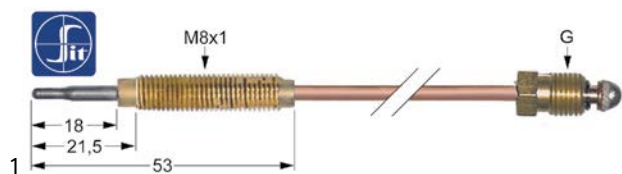
thermocouples

threaded thermocouples

threaded thermocouples standard

with socket with thread M8x1

SIT



1	Part No.	107636	Ref. No.	530962140 RJJ12
---	-----------------	--------	-----------------	--------------------

description thermocouple SIT M9x1 L 600mm M8x1

For models: G1107CE-OT

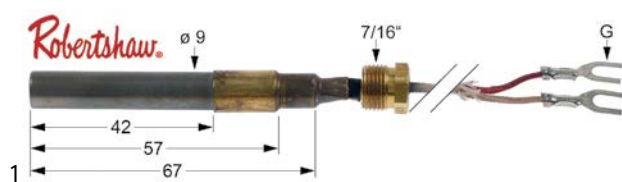
accessories for 107636



Part No.	102067	Ref. No.	—
-----------------	--------	-----------------	---

nut thread M8x1 H 3mm brass Qty 1 pcs type SEF 1

thermopiles



1	Part No.	102116	Ref. No.	537350005 R3825
---	-----------------	--------	-----------------	--------------------

description thermopile ROBERTSHAW L 900mm probe ø 9mm probe L 57mm 250-750mV screw connection 7/16"

For models: G3203, G3206, G3830, G3860, G3865

gas burners

forced air burners



1	Part No.	104314	Ref. No.	530560000
---	-----------------	--------	-----------------	-----------

description gasket L 108mm W 103mm H 3mm 6 holes

gas nozzles

pilot burner nozzles

pilot burner nozzles SIT

140/150 series



1	Part No.	100205	Ref. No.	535410015 RH39
---	-----------------	--------	-----------------	-------------------

description pilot burner nozzle SIT LPG code 19 bore ø 0.23/0.26mm Qty 1 pcs suitable for SIT 150 series

For models: G2107EU, G2107-SB, G3107, G3107D, G3127



1	Part No.	100206	Ref. No.	530961100 RH36/4
---	-----------------	--------	-----------------	---------------------

description pilot burner nozzle SIT natural gas code 36 bore ø 0.60/0.55mm Qty 1 pcs suitable for SIT 150 series

For models: G3107, G3107D, G3127

pressure switches



1	Part No.	541073	Ref. No.	530550019
---	-----------------	--------	-----------------	-----------

description pressure control ø 45mm pressure range adjustable 5-20mbar pressure connection vertical gas technology connection 1/4" pressure connection ø 1/4"mm



equipmentspecific units

for espresso machines

brewing units

filter holder gaskets

O-rings



1

Part No.	510409	Ref. No.	730590010
description	O-ring EPDM thickness 5.34mm ID ø 56.52mm Qty 1 pcs		

for convection ovens/combi-steamers

drain units

drip rails



1

Part No.	691961	Ref. No.	530550145
description	drain unit L 90mm edition since 2009		

injection pipes



1

Part No.	692838	Ref. No.	530753793
description	injection pipe for combi-steamer straight ED ø 12mm ID ø 8mm L 180mm -		



1

Part No.	692839	Ref. No.	530743267
description	injection pipe for combi-steamer U-shape ED ø 12mm ID ø 10mm L 265mm		

cleaning system

coupling bushings



1

Part No.	501591	Ref. No.	530753890
description	hose connector stainless steel hose ø 10/13mm M9 for cleaning system combi-steamer		

cleaning arms



1

Part No.	542416	Ref. No.	530775177
description	mounting flange ø 55mm hub with gasket for wash arm suitable for ELOMA combi-steamer		

hoses



1

Part No.	694953	Ref. No.	530550164
description	hose ID ø 13mm ED ø 23mm L 1mm EPDM blue/white t.max. 120°C for combi-steamer		

hoses



1

Part No.	520534	Ref. No.	530550162
description	hose ID ø 50mm ED ø 58mm L 50mm silicone Qty 1 for combi-steamer thickness 4mm		

service kits



1

Part No.	530902	Ref. No.	530550068
description	flange kit for washing arms suitable for combi-steamer LAINOX		



drip water trays



1

Part No.	699854	Ref. No.	530550147
description	drip tray L 520mm W 35mm H 70mm		



1

Part No.	699242	Ref. No.	530550148
description	drip tray L 576mm W 32mm H 51mm		



1

Part No.	699269	Ref. No.	530781177
description	plug H 10mm ø 20mm		

door mechanics

door bumpers



1

Part No.	694922	Ref. No.	530886726
description	rubber pad ø 11.5mm H 19mm rubber		

locking mechanism



1

Part No.	692714	Ref. No.	530791652
description	disc for catch ø 44mm hole ø 6x8mm		



1

Part No.	692715	Ref. No.	530888575
description	sleeve ø 50mm L 72mm W 59mm H 31mm hole distance 60mm ID ø 37mm		


vibration pumps



1

Part No.	500568	Ref. No.	530550032
description	vibration pump 230V 32W 50Hz inlet ø 7 outlet ø 1/8" IT CEME type E512/A32		

spare parts for 500568

	Part No.	390698	Ref. No.	—
	description	thermal fuse switch-off temp. 110°C suitable for ULKA pump		



Part No.	520153	Ref. No.	—
description	bracket rubber dimensions 53x34x28mm		



1

Part No.	501567	Ref. No.	530550178
description	vibration pump type HF 230V 22W 50Hz inlet ø 6 outlet ø 6 ULKA plastic L 97mm connection male faston 4.8mm		

heat exchangers



1

Part No.	520509	Ref. No.	530550092
description	reducing washer gas burner brass ID ø 3mm ED ø 16mm thickness 2.2mm code 3		


miscellaneous



1

Part No.	692363	Ref. No.	531920640 P461407
description	stop for door L 31mm W 65mm H 16mm		
For models:	E7204, E7208, E7211, G7204, G7208, G7211		





			
1			
Part No.	692300	Ref. No.	530550161
description	stopper with screw connection for glass plate D1 ø 15mm L 8mm thread M4		

knobs

accessories

covers


			
1			
Part No.	111510	Ref. No.	530748781
description	lid t.max.°C ø 37mm shaft ømm shaft flat silver for knob ELOMA		
accessories for	111510		
	Part No.	111498	Ref. No.
			530743690
			
	knob t.max.°C ø 48mm shaft ø 6.5mm shaft flat blue		




locks

handle latches

producer-specific

FALCON

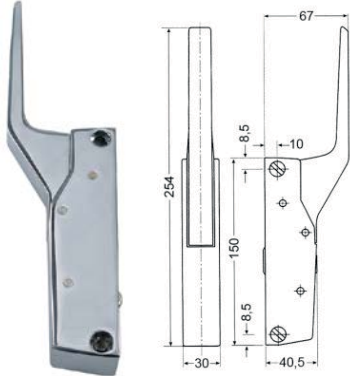


			
1			
Part No.	694067	Ref. No.	530747998
description	door catch with spigot 1-stage L 26mm total length 51mm thread M8		

			
1			
Part No.	691990	Ref. No.	530748765 EL748765
description	door handle hinged at right L 155mm W 60mm H 58mm spring length 53mm blue mounting distance 40mm mounting thread M4		
spare parts for	691990		
	Part No.	514450	Ref. No.
			530791504
			
	spring for door handle ø 6mm L 61mm W 27.5mm		
accessories for	691990		
	Part No.	111510	Ref. No.
			530748781
			
	lid t.max.°C ø 37mm shaft ømm shaft flat silver for knob ELOMA		

edgmount latches

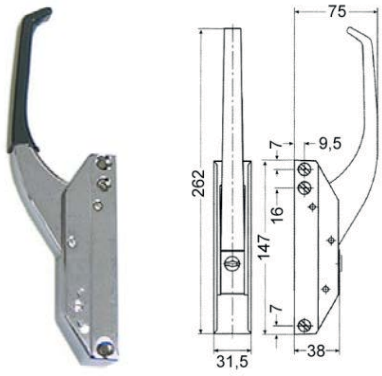

handle latches

CAFF/FERMOD

			
1			
Part No.	700060	Ref. No.	530377732
description	handle latch L 150mm mounting distance 133mm non lockable heated units G 791		
accessories for	700060		
	Part No.	700061	Ref. No.
			—
			
	door catch L 58mm W 20mm H 35mm mounting distance 42mm chrome-plated brass for headed units		
	Part No.	700062	Ref. No.
			530292532
			
	handle protection heated units		

CHG

R35 series

			
1			
Part No.	690178	Ref. No.	734350140 R2648
description	D-lock L 147mm mounting distance 117/133mm non lockable heated units R35 H 38mm W 31mm complete with door catch total length 263mm overall height 72mm		
For models:	E4063, E4103		
accessories for	690178		
	Part No.	690418	Ref. No.
			—
			
	door catch L 36mm W 19mm H 29mm mounting distance 12mm zinc-coated steel for refrigeration units		



espagnolette locks

producer-specific

FALCON



1

Part No.	694572	Ref. No.	530843210 705011
description	door handle H 96mm L 170mm W 55mm for espagnolette lock		
For models:	E5478, E6478, G5478, G6478		

hinges

door bearing



1

Part No.	701211	Ref. No.	731910100 802454
description	door hinge L 35mm W 38mm H 23mm mounting pos. upper bolt 17mm bolt ø 6.5mm replace set		
For models:	E7002		



1

Part No.	701244	Ref. No.	531740040 800003
description	door hinge L 46mm W 80mm H 24mm mounting pos. upper left with bush for convection oven Qty 1 pcs		
For models:	G1112		



1

Part No.	701246	Ref. No.	531740050 800005
description	hinge L 46mm W 28mm H 94mm mounting pos. bottom right with bush for convection oven		
For models:	G1112		



1

Part No.	701248	Ref. No.	531740030 800008
description	hinge L 47mm W 80mm H 52mm mounting pos. upper right with bush for convection oven Qty 1 pcs		
For models:	G1112		



1

Part No.	691285	Ref. No.	530550083
description	hinge bolt		

accessories

miscellaneous



1

Part No.	694994	Ref. No.	530875023
description	locking disc for hinge ID ø 12mm ED ø 30mm plastic		

DERBY RUOTE

spare parts and accessories

miscellaneous



1

Part No.	560193	Ref. No.	530349771
description	tooth lock washer ID ø 10.4mm ED ø 18mm zinc-coated steel DIN/ISO DIN 6798A Qty 1 pcs for thread M10		

gaskets

gaskets for heated units

door seals



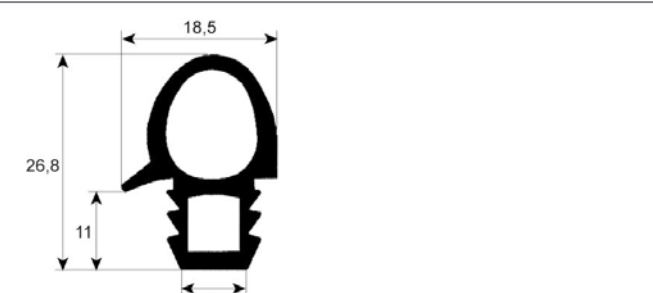
1

Part No.	901642	Ref. No.	531740300 703809
description	door seal L 500mm suitable for FALCON SS braid		
For models:	G1112		



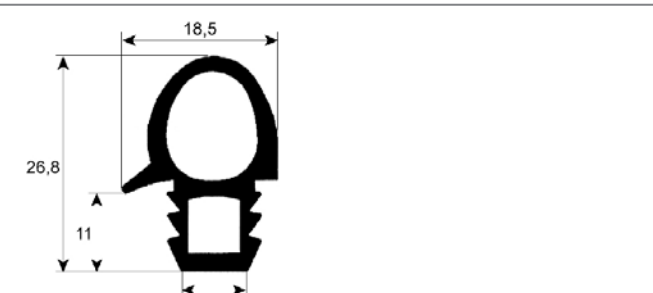

1

Part No.	901641	Ref. No.	531740280 703808
description	door seal L 700mm suitable for FALCON SS braid		
For models:	G1112		




1

Part No.	900100	Ref. No.	530384410
description	door seal profile 2070 W 460mm L 645mm external size Qty 1 6 x 1/1		



1


Part No.	900101	Ref. No.	530382310
description	door seal profile 2070 W 645mm L 700mm external size Qty 1 10 x 1/1		



1

Part No.	901583 ¹	Ref. No.	531930525 600605
description	door seal profile 2229 W 495mm L 635mm external size suitable for FALCON with fixing kit		
For models:	E7004, E7204, G7004, G7204		


¹with fixing kit



1

Part No.	901584 ¹	Ref. No.	531920525 600606
description	door seal profile 2229 W 615mm L 770mm external size suitable for FALCON with fixing kit		
For models:	E7008, E7208, G7008, G7208		

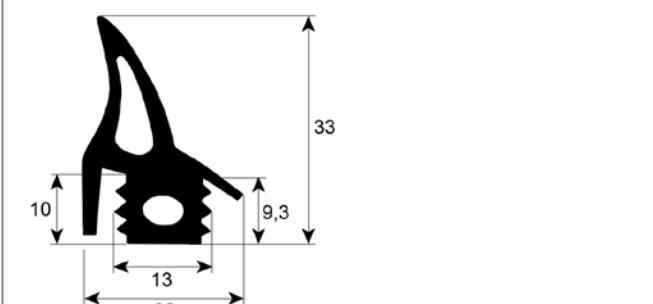
¹with fixing kit



1

Part No.	901585 ¹	Ref. No.	531940090 600607
description	door seal profile 2229 W 770mm L 900mm external size suitable for FALCON with fixing kit		
For models:	E7011, E7211, G7011, G7211		

¹with fixing kit



1

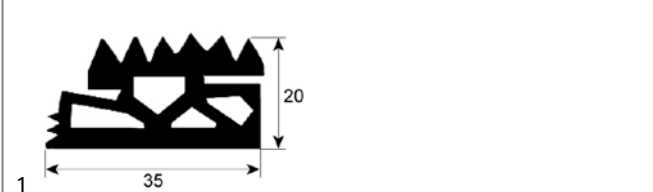
Part No.	901277	Ref. No.	530425207
description	door seal profile 2690 L 2275mm		



1

Part No.	901590	Ref. No.	531740302 703841
description	door seal W 500mm L 710mm suitable for FALCON set 4-piece		
For models:	E1112, G2102, G2112		

gaskets for tray rack trolleys



1

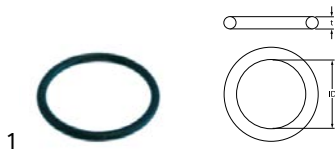
Part No.	900199	Ref. No.	530549207
description	tray rack trolley gasket profile 4070 L 1000mm Qty 1		



O-rings

EPDM

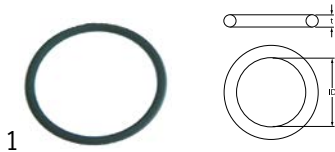
ø5.34mm



Part No.	510409	Ref. No.	730590010
description	O-ring EPDM thickness 5.34mm ID ø 56.52mm Qty 1 pcs		

Viton

ø2.62mm



Part No.	510579	Ref. No.	530581410
description	O-ring Viton thickness 2.62mm ID ø 34.6mm Qty 1 pcs		

ø3.53mm



Part No.	529357	Ref. No.	530753742
description	O-ring Viton thickness 3.53mm ID ø 23.4mm Qty 1 pcs		

sealing washers

graphite gaskets



Part No.	696702	Ref. No.	530550021
description	gasket graphite ED ø 84mm ID ø 61mm thickness 3mm Qty 1 pcs		

shaft gaskets

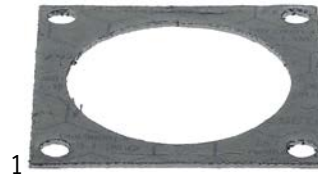
shaft gaskets



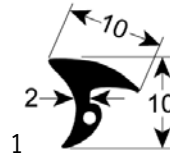
Part No.	511172	Ref. No.	530560025
description	shaft sealing ID ø 24mm ED ø 29mm thickness 3mm		

special gaskets

for combi-steamers



Part No.	699469	Ref. No.	530505953 530742678
description	gasket suitable for ELOMA for model Genius T 6-11 10-11 L 64mm W 64mm for combi-steamer ID ø 50mm graphite thickness 1.7mm		



Part No.	560648	Ref. No.	530584096
description	gasket suitable for ELOMA L 1000mm Qty 1m for combi-steamer		



Part No.	699383	Ref. No.	530560001
description	gasket suitable for LAINOX Qty 1m ED ø 126mm ID ø 90mm graphite thickness 3mm hole distance 42mm hole ø 7mm		



Part No.	699247	Ref. No.	530550061
description	gasket set for combi-steamer		

springs

torsion springs



Part No.	692523	Ref. No.	530503747
description	torsion spring ø 27.8mm ID ø 21.7mm L2 44mm wire gauge ø 3mm L1 13mm L3 44mm Qty 1 pcs		



miscellaneous



1

Part No.	514450	Ref. No.	530791504
description	spring for door handle ø 6mm L 61mm W 27.5mm		

manometers



1

Part No.	541979	Ref. No.	530224758
description	manometer ø 40mm pressure range 0-4bar connection at the rear in the centre thread 1/8"		

hose reels and spray guns

spray guns



1

Part No.	542062	Ref. No.	530550110
description	spray gun for appliances 1/2" IT L 225mm type LAINOX		



1

Part No.	542404	Ref. No.	530550111
description	shower hose connections 1/2" L 2500mm unbraided nominal-ø DN8mm		

hose reels

appliance hose reels



1

Part No.	545067	Ref. No.	530753181
description	hose reel without spray gun hose length 1.55m		

hoses

pre-rinse hoses

stainless steel flexi hoses



1

Part No.	542404	Ref. No.	530550111
description	shower hose connections 1/2" L 2500mm unbraided nominal-ø DN8mm		

industrial hoses

nylon hoses



1

Part No.	520252	Ref. No.	530785857
description	nylon hose ID ø 6mm ED ø 8mm L 5m thickness 1mm operating p. 10bar burst p. 50bar t.max. 100°C white		

PE hoses



1

Part No.	520973	Ref. No.	530550067
description	hose John Guest thickness 1.5mm LLDPE blue ID ø 7mm ED ø 10mm		
accessories for	520973		



Part No.	440564	Ref. No.	—
description	push-in fitting John Guest straight thread 1/4" BSP pipe connection ø10mm		



Part No.	440565	Ref. No.	—
description	push-in fitting John Guest straight thread 3/8" BSP pipe connection ø10mm		



Part No.	440608	Ref. No.	—
description	push-in fitting John Guest straight thread 1/2" BSP stub ø 10mm		



Part No.	440639	Ref. No.	—
description	push-in fitting John Guest angled thread 1/4" BSP pipe connection ø10mm		



Part No.	520359	Ref. No.	530550007
description	push-in fitting John Guest angled pipe connection ø10mm grommet ø 10mm		




Part No.	520363	Ref. No.	530550004
description	push-in fitting John Guest T-piece pipe connection ø10mm - ø10mm - ø10mm		



Part No.	520494	Ref. No.	530550005
description	push-in fitting John Guest angled pipe connection ø10mm - ø10mm		



PU hoses



1

Part No.	512505	Ref. No.	530550172
description	PU hose ID ø 5mm ED ø 8mm L 1m thickness 1.5mm t.max. -40 up to +60°C polyurethane transparent/colourless		

silicone hoses

without fabric




1

Part No.	530899	Ref. No.	530550163
description	silicone hose ID ø 13mm ED ø 18mm L 0.08m thickness 2.5mm red for combi-steamer		

with fabric

with glass fibre sleeving



1

Part No.	520024	Ref. No.	530593303
description	silicone hose with glass fibre sleeving ID ø 9.5mm ED ø 17mm L 5m thickness 3.75mm operating p. 4bar burst pressure at 95°C 26bar burst pressure 130°C 14bar t.max. 200°C white		

formed hoses

straight




1

Part No.	520534	Ref. No.	530550162
description	hose ID ø 50mm ED ø 58mm L 50mm silicone Qty 1 for combi-steamer thickness 4mm		

fittings, hose and pipe connectors

hose connectors

miscellaneous




1

Part No.	501591	Ref. No.	530753890
description	hose connector stainless steel hose ø 10/13mm M9 for cleaning system combi-steamer		

fittings

double nipples



1

Part No.	520160	Ref. No.	530440092 530754447
description	double nipple nickel-plated brass thread 1/8" - 1/8" Qty 1 pcs		




1

Part No.	521187	Ref. No.	530570451
description	double nipple nickel-plated brass thread 1/8" - 3/8" Qty 1 pcs int. ø 15mm int. ø 2 9.3mm		

screw pipe fittings

angle pieces



1

Part No.	699452	Ref. No.	530550011
description	angle piece thread M14x1 tube ø 10mm brass		



hose connectors

plastic



1

Part No.	362011	Ref. No.	530550008
description	hose connector plastic straight thread 1/4" hose ø 8x6mm Qty 1 pcs		

stainless steel



1

Part No.	542385	Ref. No.	530550013
description	hose connector SS angled thread 1/4" hose ø 10mm Qty 1 pcs		

producer-specific



1

Part No.	440027	Ref. No.	530550006
description	connecting piece for hose ID 6mm WS 15 total length 79mm plastic John Guest		



1


Part No.	520360	Ref. No.	730580000
description	hose connector thread 1/4" with coupling straight plastic		

push-in fittings

JOHN GUEST



1

Part No.	520359	Ref. No.	530550007	
description	push-in fitting John Guest angled pipe connection ø10mm grommet ø 10mm			
accessories for	520359			
	Part No.	520973	Ref. No.	530550067
	hose John Guest thickness 1.5mm LLDPE blue ID ø 7mm ED ø 10mm			



1

Part No.	520493	Ref. No.	530550010
description	hose connector John Guest straight pipe connection ø8mm - ø10mm L 41mm PM201008E NSF, SK		




1

Part No.	520492	Ref. No.	530561000
description	push-in fitting John Guest straight pipe connection ø10mm - ø10mm		




1

Part No.	520494	Ref. No.	530550005	
description	push-in fitting John Guest angled pipe connection ø10mm - ø10mm			
accessories for	520494			
	Part No.	520973	Ref. No.	530550067
	hose John Guest thickness 1.5mm LLDPE blue ID ø 7mm ED ø 10mm			




1

Part No.	520363	Ref. No.	530550004	
description	push-in fitting John Guest T-piece pipe connection ø10mm - ø10mm - ø10mm			
accessories for	520363			
	Part No.	520973	Ref. No.	530550067
	hose John Guest thickness 1.5mm LLDPE blue ID ø 7mm ED ø 10mm			



1

Part No.	520495	Ref. No.	530550009	
description	push-in fitting John Guest straight thread 1/8" BSP stub ø 8mm			
accessories for	520495			
	Part No.	520971	Ref. No.	—
	hose thickness 1mm LLDPE blue ID ø 4mm ED ø 6mm operating pressure at 20°C 16bar			



1

Part No.	440031	Ref. No.	530550015
description	push-in fitting John Guest straight thread 1/2" pipe connection ø8mm - ø8mm bulkhead connector		

valves and tank inlets

ball valves

ball valves electric



1

Part No.	403042	Ref. No.	730610000
description	ball valve inlet 3/4" IT outlet 3/4" IT 230V L 68mm closed off-current mode of operation electric connection cable 400mm		

water cycle components



pressure reduction valves

pressure reduction valves

producer-specific



1

Part No.	520502	Ref. No.	530871419
description	pressure reduction valve Norgren series R91 connection 1/8" default setting bar setting range 0.1-3bar p max 10bar t.max. 50°C brass		
accessories for	520502		
	Part No.	541979	Ref. No. 530224758
	manometer ø 40mm pressure range 0-4bar connection at the rear in the centre thread 1/8"		
	Part No.	542449	Ref. No. —
	manometer ø 40mm pressure range 0-6bar connection at the rear in the centre thread 1/8"		

ancillary products

clamps

security hose clamps

SS/brass



1

Part No.	520067	Ref. No.	730277665
description	hose clamp SS/brass ø 9-14mm width 10mm Qty 5 pcs		

fastening material

screws

grub screws

DIN 913/ISO 4026



1

Part No.	560497	Ref. No.	530753785 EL753785
description	grub screw thread M8 L 8mm A2-A2L DIN 913/ISO 4026 WS 4 Qty 20 pcs		

nuts

hexagonal nuts

hexagonal nuts metric (without norm)



1

Part No.	550681	Ref. No.	530550002
description	nut thread M12x1.25 H 5mm WS 17 brass Qty 1 pcs		

washers

tooth lock washers

DIN 6798A



1

Part No.	560193	Ref. No.	530349771
description	tooth lock washer ID ø 10.4mm ED ø 18mm zinc-coated steel DIN/ISO DIN 6798A Qty 1 pcs for thread M10		



fasteners

clamps

security hose clamps

SS/brass



1

Part No.	520067	Ref. No.	730277665
description	hose clamp SS/brass ø 9-14mm width 10mm Qty 5 pcs		

retaining rings

DIN 6799



1

Part No.	507015	Ref. No.	738010320
description	retaining ring E D1 ø 7mm D2 ø 14mm SS DIN 6799 thickness 0.9mm for shaft ø 8-11mm		

consumables

sealants and adhesives

high temperature silicone

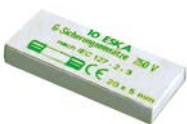


1

Part No.	890107	Ref. No.	530500402
description	high temperature silicone TOMABOND TB76 -40 up to +250°C red/brown tube 90ml		
description	Tomabond TB76 - tube 90ml - red brown Special elastic silicone for general bonding & sealing applications with high thermal loads. TB 76 is primarily used in building services, HVAC and mechanical engineering. Temperature-resistant to 300 °C over the short term		

fuses

fine fuses



1

Part No.	358595	Ref. No.	730580042
description	fine fuse size ø5x20mm 0.2A slow-acting rated 250V Qty 10 pcs		



1

Part No.	358703	Ref. No.	530560030
description	fine fuse size ø5x20mm 0.4A slow-acting rated 250V Qty 10 pcs		

screw locks

D0-system (NEOZED)



1

Part No.	358043	Ref. No.	530658294
description	fuse size D01 16A rated 250/400V E14 ø 11mm L 36mm Qty 10 pcs		



1

Part No.	358045	Ref. No.	530751863
description	fuse size D02 35A rated 250/400V E18 ø 15mm L 36mm Qty 10 pcs		

gauge pieces (NEOZED)



1

Part No.	358067	Ref. No.	530751855
description	gauge piece size D02 suitable for 35A		

GASTROPARTS.COM



© 2020 Gastroparts Sp. J. All rights reserved.