



**GASTROPARTS**

# Altoshaam

**[EN]** Cooking

**[DE]** Kochtechnik

**[ES]** Cocción

**[FR]** Cuisson

**[IT]** Cottura

**[PL]** Obróbka termiczna

**[RU]** Термическая обработка

✉ [gastroparts@gastroparts.com](mailto:gastroparts@gastroparts.com)

☎ tel. +48 56 657 00 66

📘 [fb.com/gastroparts.global](https://fb.com/gastroparts.global)

**GASTROPARTS.COM**





## heating elements

## heating cables

## miscellaneous



1

<b>Part No.</b>	580139	<b>Ref. No.</b>	4878
<b>description</b>	heating cable kit		



1

<b>Part No.</b>	420280	<b>Ref. No.</b>	4881 CB-3045
<b>description</b>	heating cable kit L 210Ft~64008mm for heated cabinet		



1

<b>Part No.</b>	580006	<b>Ref. No.</b>	4880
<b>description</b>	heating cable L 134Ft~40843mm		

## heating cartridges



1

<b>Part No.</b>	419035	<b>Ref. No.</b>	CB-3538
<b>description</b>	heating cartridge 230W 240V ø 12.5mm L 112mm thread 5/8"-18UNF cable length 150mm		

## thermostats

## bi-metal thermostats

## safety bi-metal thermostats



1

<b>Part No.</b>	390991	<b>Ref. No.</b>	TT-3859
<b>description</b>	bi-metal safety thermostat hole distance 23.5mm switch-off temp. 150°C 1CO 1-pole 16A 250V connection F6.3 screw		

## control and safety thermostats

## EGO

## safety thermostats

## 55.32\_ series



1

<b>Part No.</b>	375474	<b>Ref. No.</b>	TT-33325
<b>description</b>	safety thermostat t.max. 340°C switch-off temp. 340°C 2-pole 1NC/1CO 1x20/1x0.5A probe ø 4mm probe L 120mm capillary pipe 1300mm capillary pipe isolated 900mm gland nut probe		


## INVENSYS / ROBERTSHAW

## control thermostats



1


<b>Part No.</b>	390992	<b>Ref. No.</b>	TT-3978
<b>description</b>	thermostat t.max. 121.111°C temperature range 15.55-121.11°C 1-pole 1NO 16A probe ø 5mm probe L 400mm capillary pipe 850mm capillary pipe isolated gland nut shaft ø 6x4.6mm shaft L 21mm shaft position lower rotation 315° 60-250°F		

<b>Part No.</b>	390875	<b>Ref. No.</b>	TT-3498
<b>description</b>	thermostat t.max. 232.2°C temperature range 37.77-232.22°C 1-pole 1NO 30A probe ø 5mm probe L 280mm capillary pipe 900mm capillary pipe isolatedmm gland nut shaft L 24mm rotation 315° 100-450°F t.max. 450°F		




<b>Part No.</b>	580075	<b>Ref. No.</b>	TT3057 TT3058
<b>description</b>	thermostat t.max. 93°C temperature range 15-93°C 1-pole 1NO 15A probe ø 5mm probe L 400mm capillary pipe 1000mm capillary pipe isolatedmm gland nut shaft ø 6x4.6mm shaft L 22mm operating temperature range 60-200°F		




<b>Part No.</b>	390993	<b>Ref. No.</b>	TT-33432
<b>description</b>	thermostat t.max. 93°C temperature range 15-93°C 1-pole 1NO 15A probe ø 5mm probe L 400mm capillary pipe 2100mm capillary pipe isolatedmm gland nut shaft ø 6x4.6mm shaft L 22mm operating temperature range 60-200°F		

various

control thermostats



<b>Part No.</b>	390994	<b>Ref. No.</b>	TT-33626
<b>description</b>	thermostat t.max. 121.11°C temperature range adjustable°C 1-pole 1NO 16A probe ø 4mm probe L 250mm capillary pipe 2140mm capillary pipe isolatedmm gland nut shaft ø 6x4.6mm shaft L 21mm shaft position° shaft position right rotation°		




<b>Part No.</b>	580008	<b>Ref. No.</b>	TT3329
<b>description</b>	thermostat temperature range 37.77-162.78°C probe ø 5mm probe L 300mm capillary pipe 950mm shaft ø 6x4.6mm shaft L 23mm operating temperature range 100-325°F		

## switches and momentary switches


### rocker/momentary rocker switches


28x13.5mm





<b>Part No.</b>	348099	<b>Ref. No.</b>	SW-3409
<b>description</b>	rocker switch mounting measurements 27.4x12.4mm black 1CO 250V 10A with neutral position connection male faston 6.3mm ambient temperature max. 85°C protection IP40		

30x22mm





<b>Part No.</b>	301004	<b>Ref. No.</b>	SW-3887	
<b>description</b>	rocker switch mounting measurements 30x22mm black 2CO 250V 16A connection male faston 6.3mm ambient temperature max. 125/55°C protection IP40			
<b>accessories for</b>	301004			
	<b>Part No.</b>	301036	<b>Ref. No.</b>	—
	protective cover internal size 30x22mm for rocker switch mounting measurementsmm			



			
1			
<b>Part No.</b>	346377	<b>Ref. No.</b>	SW-34788
<b>description</b>	rocker switch mounting measurements 30x22mm black 2CO 230V 16A 0-1 connection male faston 6.3mm ambient temperature max. 125/55°C protection IP40		
<b>accessories for</b>	346377		
	<b>Part No.</b>	301036	<b>Ref. No.</b> —
	protective cover internal size 30x22mm for rocker switch mounting measurementsmm		

## 37x21mm


			
1			
<b>Part No.</b>	347969	<b>Ref. No.</b>	SW-34769
<b>description</b>	rocker switch mounting measurements 37x21mm black 2NO 250V 10A 0-1 connection male faston 6.3mm ambient temperature max. 85°C protection IP44		


			
1			
<b>Part No.</b>	348153 <sup>1</sup>	<b>Ref. No.</b>	5010847
<b>description</b>	rocker switch mounting measurements 37x21mm black 2NO 250V 10A 0-1 connection male faston 6.3mm ambient temperature max. 85°C protection IP44 mounting frame inclusive		

<sup>1</sup>with accessories

## toggle switches

## M12x0.75

			
1			
<b>Part No.</b>	348151	<b>Ref. No.</b>	SW-3040
<b>description</b>	toggle switch 2NO 250V screw		

			
1			
<b>Part No.</b>	348154	<b>Ref. No.</b>	SW-3041
<b>description</b>	toggle switch thread M10x0.75 1NO 120-240V 12/20A ON-OFF screw		


## lamps

## indicator lights


## indicator lights (complete)

ø12mm

with plug-in socket

			
1			
<b>Part No.</b>	580014	<b>Ref. No.</b>	LI3025 LI3027
<b>description</b>	indicator light ø 12mm 230V red		


## 30x13mm

			
1			
<b>Part No.</b>	346547	<b>Ref. No.</b>	LI-3516
<b>description</b>	indicator light mounting measurements 27.4x12.4mm 230V red connection male faston 6.3mm temp.-resist. 120°C		

## screw-on/push-on fit

## halogen lamp



for socket G4 / G6.35 / G9

			
1			
<b>Part No.</b>	357193	<b>Ref. No.</b>	LP-34213
<b>description</b>	halogen lamp socket G4 12V 20W temp.-resist. 300°C OSRAM HALOSTAR OVEN		


## oven lamps

## universal oven lamps

55x70mm

			
1			
<b>Part No.</b>	359297	<b>Ref. No.</b>	CV-26607
<b>description</b>	frame L 95mm W 81mm mounting distance 68/83mm thickness 6mm		
<b>accessories for</b>	359297		
	<b>Part No.</b>	359299	<b>Ref. No.</b> GS-26609
	gasket L 91mm W 77mm hole ø 3mm for oven lamp		




			
1			
<b>Part No.</b>	359299	<b>Ref. No.</b>	GS-26609
<b>description</b>	gasket L 91mm W 77mm hole ø 3mm for oven lamp		

**lamps**

halogen lamps

for socket G4 / G6.35 / G9

			
1			
<b>Part No.</b>	357193	<b>Ref. No.</b>	LP-34213
<b>description</b>	halogen lamp socket G4 12V 20W temp.-resist. 300°C OSRAM HALOSTAR OVEN		

**timers**

electric timers

			
1			
<b>Part No.</b>	580007	<b>Ref. No.</b>	TR3318
<b>description</b>	timer 240V operation time 12h		

**contactors**


HARTLAND

power contactors

			
1			
<b>Part No.</b>	381284	<b>Ref. No.</b>	CN-3062
<b>description</b>	power contactor resistive load 40A 208/240VAC 30A/10HP (AC3/240V) 30A/7.46kW main contacts 3NO auxiliary contacts connection screw clamp/male faston 6.3mm type HCCY3XU02CY		

SPRECHER+SCHUH

power contactors

			
1			
<b>Part No.</b>	381396	<b>Ref. No.</b>	CN-3654
<b>description</b>	power contactor resistive load 32A 220VAC (AC3/400V) 20A/11kW main contacts 3NO auxiliary contacts 1NC connection screw type CA7-23-01		

**solid state relays**

CRYDOM

			
1			
<b>Part No.</b>	403662	<b>Ref. No.</b>	RL-3736
<b>description</b>	solid state relay CRYDOM 1 phase 25A 240V 90-280VAC L 57mm W 44.6mm screw connection type A2425		


miscellaneous


			
1			
<b>Part No.</b>	403789	<b>Ref. No.</b>	RL-3583
<b>description</b>	solid state relay TELEDYNE 25A 12-280V 4-30VDC L 58mm W 44mm screw type S24D25		


## probes

### producer-specific probes

#### probes

1 

<b>Part No.</b>	379800	<b>Ref. No.</b>	5002100
<b>description</b>	temperature probe thermocouple K (NiCr-Ni) cable silicone probe -50 up to 1150°C cable -50 up to +180°C connection 2-wire thread M5 probe ø4x20mm cable length 3m		
<b>accessories for</b>	379800		
	<b>Part No.</b>	521012	<b>Ref. No.</b> —
	gasket graphite ED ø 15mm ID ø 5mm thickness 1.2mm Qty 1 pcs		

1 


<b>Part No.</b>	378507	<b>Ref. No.</b>	PR-33751
<b>description</b>	temperature probe thread M5 cable length 3m		

## solenoïd valves


### solenoïd valves (water)



#### ROBERTSHAW/INVENSYS

medium temperature: 90°C 90°C 60°C  
 ambient temperature: 60°C 25°C 60°C  
 duty cycle: 40% 100% 100%

1 

<b>Part No.</b>	372022	<b>Ref. No.</b>	VA-34045
<b>description</b>	solenoid valve double straight 230VAC inlet 3/4" outlet 14mm DN10 EATON (INVENSYS)		


1 



<b>Part No.</b>	372018	<b>Ref. No.</b>	VA-34300
<b>description</b>	solenoid valve single straight 230VAC inlet 3/4" outlet 14mm DN10 EATON (INVENSYS) flow regulating valve outlet flow regulating valve inlet white		
<b>spare parts for</b>	372018		
	<b>Part No.</b>	371122	<b>Ref. No.</b> —
	solenoid valve filter ø 19mm H 10mm suitable for MÜLLER		
	<b>Part No.</b>	371131	<b>Ref. No.</b> —
	solenoid coil 230VAC		

## fans

### axial fans

#### import

1 

<b>Part No.</b>	601080 <sup>1</sup>	<b>Ref. No.</b>	FA-3568
<b>description</b>	axial fan L 119mm W 119mm H 38mm 230VAC 50/60Hz 23/20W bearing ball bearing connection male faston 2.8mm metal ADDA fan wheel ø 110mm temp.-resist. 70°C		
<b>accessories for</b>	601080		
	<b>Part No.</b>	550898	<b>Ref. No.</b> —
	connecting cable cable length 2000mm connection F 2.8 connection distance 7.9mm for axial flow fan		
	<b>Part No.</b>	692519	<b>Ref. No.</b> —
	guard L 120mm W 120mm plastic		


<sup>1</sup>with ball bearings

## ignition parts

### pilot burners

#### HONEYWELL

#### pilot burners

1 

<b>Part No.</b>	102490	<b>Ref. No.</b>	BN-33371
<b>description</b>	pilot burner 1 flame		

## equipment-specific units

### for convection ovens/combi-steamers

#### spare parts and accessories

1



<b>Part No.</b>	580002	<b>Ref. No.</b>	HD2575
<b>description</b>	counterpart		







## knobs


### universal knobs


 <p>1</p>			
<b>Part No.</b>	110124	<b>Ref. No.</b>	KN3468
<b>description</b>	knob thermostat t.max. 350°C t.max.°F 100-350°C°F ø 50mm shaft ø 6x4.6mm shaft flat upper black temperature range 100-350°C rotation 270°		
<b>accessories for</b>	110124		
	Part No.	110135	Ref. No.
			—
	 <p>rosette knob up to ø 52mm</p>		

### producer-specific knobs

#### ALTO-SHAAM

 <p>1</p>			
<b>Part No.</b>	110124	<b>Ref. No.</b>	KN3468
<b>description</b>	knob thermostat t.max. 350°C t.max.°F 100-350°C°F ø 50mm shaft ø 6x4.6mm shaft flat upper black temperature range 100-350°C rotation 270°		
<b>accessories for</b>	110124		
	Part No.	110135	Ref. No.
			—
	 <p>rosette knob up to ø 52mm</p>		

 <p>1</p>			
<b>Part No.</b>	111491	<b>Ref. No.</b>	KN-3474
<b>description</b>	knob thermostat t.max. 90°C t.max.°F 15-90°C°F ø 48mm shaft ø 6x4.6mm shaft flat lower		
<b>For models:</b>	750-S-HD		

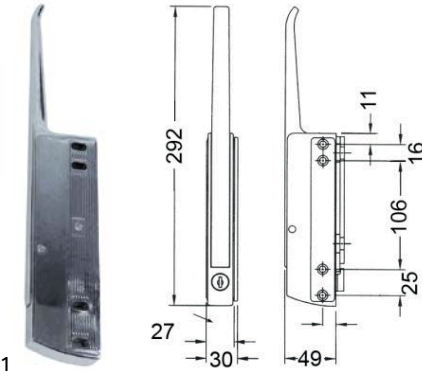
 <p>1</p>			
<b>Part No.</b>	580011	<b>Ref. No.</b>	KN3469
<b>description</b>	knob thermostat t.max.°C t.max. 200°F°C 60-200°F ø 49mm shaft ø 6x4.6mm shaft flat lower		
<b>For models:</b>	750-S-HD		

## locks

### edgemoat latches

#### magnetic locks

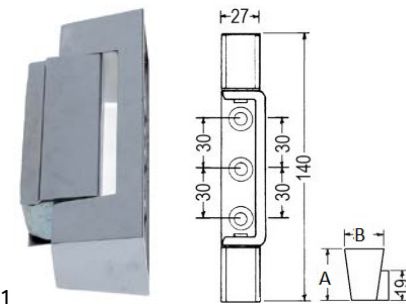

#### CHG

 <p>1</p>			
<b>Part No.</b>	690208	<b>Ref. No.</b>	HD2007
<b>description</b>	magnetic lock L 168mm mounting distance 105/147mm non lockable refrigeration units R25		


## hinges

### edgemoat hinges

#### CHG

 <p>1</p>			
<b>Part No.</b>	690294	<b>Ref. No.</b>	HG-2014
<b>description</b>	edgemoat hinge L 140mm mounting distance 30/30mm hinging left/right without lift L1 33mm L2 30mm series R42		
<b>spare parts for</b>	690294		
	Part No.	690292	Ref. No.
			—
	 <p>spring for R42 (140mm)</p>		

### miscellaneous

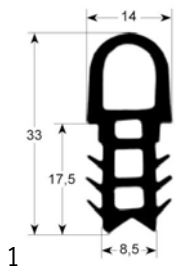
 <p>1</p>			
<b>Part No.</b>	710031	<b>Ref. No.</b>	CS-25675
<b>description</b>	swivel castor with swivel brake ø 90mm spigot housing chrome-plated sheet steel capacitykg spigot hight 56mm spigot-ø 35x35mm bearing slide bearing wheel body tread H 190mm wheel width 32mm Qty 1 pcs		



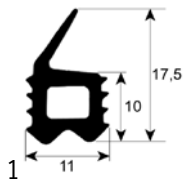
## gaskets

### gaskets for heated units

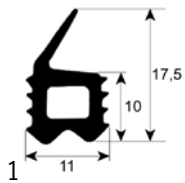
#### door seals



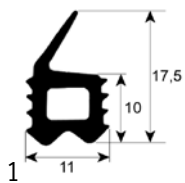
<b>Part No.</b>	901675	<b>Ref. No.</b>	GS-25550
<b>description</b>	door seal profile 2060 W 420mm L 475mm external size Qty 1		



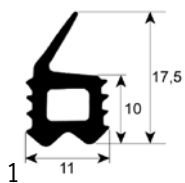
<b>Part No.</b>	901312	<b>Ref. No.</b>	GS-23790
<b>description</b>	door seal profile 2708 W 385mm L 545mm external size		



<b>Part No.</b>	901313	<b>Ref. No.</b>	GS-23794
<b>description</b>	door seal profile 2708 W 500mm L 730mm external size		



<b>Part No.</b>	901132	<b>Ref. No.</b>	GS22903 GS-23778
<b>description</b>	door seal profile 2708 W 545mm L 590mm external size		
<b>For models:</b>	750-S-HD		



<b>Part No.</b>	901314	<b>Ref. No.</b>	GS-23796
<b>description</b>	door seal profile 2708 W 560mm L 780mm external size		

1

<b>Part No.</b>	902469	<b>Ref. No.</b>	GS-26635
<b>description</b>	door seal profile 2784 W 420mm L 560mm outer plug size Qty 1		

1

<b>Part No.</b>	580013	<b>Ref. No.</b>	GS2398
<b>description</b>	door seal profile 2949 L 3000mm Qty 1		

## fittings, hose and pipe connectors

### hose connectors

#### nickel-plated brass



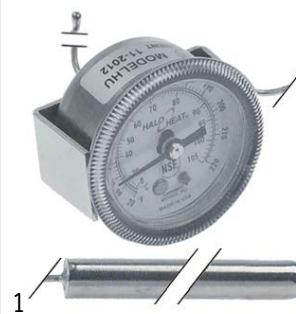
<b>Part No.</b>	512440	<b>Ref. No.</b>	PB-26512
<b>description</b>	T-piece with probe connection nickel-plated brass thread 3/4" hose ø 16mm		

## measuring equipment

### thermometers

#### built-in thermometers

ø41mm



<b>Part No.</b>	541894	<b>Ref. No.</b>	TH-33713
<b>description</b>	thermometer mounting ø 41mm t.max. 105°C 0-105°C probe ø 9.5mm probe L 65mm capillary pipe 900mm		





## fastening material

### screws

#### hexagonal screws



1

<b>Part No.</b>	560084	<b>Ref. No.</b>	SC-26060
<b>description</b>	hexagonal screw thread M5 thread L 16mm SS WS 8 Qty 20 pcs DIN 933 / ISO 4017		



1

<b>Part No.</b>	560088	<b>Ref. No.</b>	SC-22924
<b>description</b>	hexagonal screw thread M6 thread L 20mm SS WS 10 Qty 20 pcs DIN 933 / ISO 4017		

### nuts

#### hexagonal nuts

DIN 934 / ISO 4032/8673



1

<b>Part No.</b>	511212	<b>Ref. No.</b>	NU-22291
<b>description</b>	hexagonal nut thread M6 H 5mm WS 10 SS DIN/ISO DIN 934 / ISO 4032/8673 Qty 1 pcs		

### washers

#### spring rings



1

<b>Part No.</b>	560122	<b>Ref. No.</b>	WS-22301
<b>description</b>	lock washer ID ø 5.2mm ED ø 9mm SS DIN127 Qty 20 pcs for thread M5		



1

<b>Part No.</b>	560123	<b>Ref. No.</b>	WS-22302
<b>description</b>	lock washer ID ø 6.3mm ED ø 11mm SS DIN127 Qty 20 pcs for thread M6		

### washers

#### DIN 125A



1

<b>Part No.</b>	560112	<b>Ref. No.</b>	WS-22295
<b>description</b>	plain washer ID ø 5.3mm ED ø 10mm thickness 1mm SS Qty 20 pcs DIN 125A for thread M5		



1

<b>Part No.</b>	560113	<b>Ref. No.</b>	WS-22297
<b>description</b>	plain washer ID ø 6.4mm ED ø 12mm thickness 1.6mm SS Qty 20 pcs DIN 125A for thread M6		

**GASTROPARTS.COM**



© 2020 Gastroparts Sp. J. All rights reserved.