



GASTROPARTS

NTF

- [EN]** Refrigeration
- [DE]** Kühlgeräte
- [ES]** Refrigeración
- [FR]** Réfrigération
- [IT]** Refrigerazione
- [PL]** Chłodnictwo
- [RU]** Холодильная техника

✉ gastroparts@gastroparts.com

☎ +48 56 657 00 66

📘 fb.com/gastroparts.global

GASTROPARTS.COM





thermostats

refrigeration thermostats

RANCO

K22 series

RANCO



1

Part No.	390524	Ref. No.	23004 23591 N23004 N23591 N24727 NR23591 NR23951
description	thermostat RANCO type K22L1082 probe \varnothing mm probe Lmm capillary pipe 2000mm temperature range -22 up to -3°C		

RANCO



1

Part No.	390589	Ref. No.	23597 NR23597
description	thermostat RANCO type K22L1083 probe \varnothing mm probe Lmm capillary pipe 2300mm		

K50 series

RANCO



1

Part No.	390288	Ref. No.	N23034 NR23034
description	thermostat RANCO type K50L3163 probe \varnothing mm probe Lmm capillary pipe 2100mm temperature range -24 up to -14°C		

RANCO



1

Part No.	390588	Ref. No.	23421 N23421 NR23421
description	thermostat RANCO type K50L3274 probe \varnothing 2mm probe Lmm capillary pipe 3000mm		

RANCO



1

Part No.	390286	Ref. No.	23005 NR23005
description	thermostat RANCO type K50L3383 probe \varnothing mm probe Lmm capillary pipe 1500mm temperature range +1 up to +3°C		

switches and momentary switches


microswitches

universal

CROUZET



1


Part No.	345042	Ref. No.	23196 23372 N23196 N23372
description	microswitch with plunger 250V 16A 1CO connection male faston 6.3mm L 28mm ambient temperature max. 125°C mounting distance 22mm type EF83161.3 actuating force: 75g blue/black		
accessories for	345042		
	Part No.	345043	Ref. No. —
	 lever set 5-piece		



pin-plunger actuated



1


Part No.	345042	Ref. No.	23196 23372 N23196 N23372
description	microswitch with plunger 250V 16A 1CO connection male faston 6.3mm L 28mm ambient temperature max. 125°C mounting distance 22mm type EF83161.3 actuating force: 75g blue/black		
accessories for	345042		
	Part No.	345043	Ref. No. —
	lever set 5-piece		

timers

programme timers




1

Part No.	360525	Ref. No.	N23247
description	timer CDC 11904 engines 1 chambers 4 operation time 10min 230V shaft ømm shaft Lmm manuf. no. 11904F1 / BCR000.0000 motor type M48R ATS		
spare parts for	360525		
	Part No.	360118	Ref. No. —
	motor CDC pinion ø 4.9mm teeth 10 230V voltage AC 50/60Hz turn direction right motor ø 47mm H 19.3mm motor type M48R ATS for timer cable length 260mm 1.9/2.5W		



1

Part No.	360524	Ref. No.	23222 N23222
description	timer CDC 11904 engines 1 chambers 4 operation time 12min 230V shaft ømm shaft Lmm manuf. no. 11904F1 / BDR000.0000 motor type M48R ATS		
spare parts for	360524		
	Part No.	360118	Ref. No. —
	motor CDC pinion ø 4.9mm teeth 10 230V voltage AC 50/60Hz turn direction right motor ø 47mm H 19.3mm motor type M48R ATS for timer cable length 260mm 1.9/2.5W		



1

Part No.	360566	Ref. No.	23259 N23259
description	timer CDC 11904 engines 1 chambers 4 operation time 15min 115V 60Hz shaft ømm shaft Lmm manuf. no. 11904F1BEI000.0010 motor type M48R ATS voltage AC		




1

Part No.	360565	Ref. No.	23396 23780 N23396 N23780
description	timer CDC 11904 engines 1 chambers 4 operation time 18min 230V 50/60Hz shaft ømm shaft Lmm manuf. no. 11904F1BFE000.0030 motor type M48R ATS voltage AC		



1

Part No.	360549	Ref. No.	23635 N23635
description	timer CDC 11904 engines 1 chambers 4 operation time 8min 230V 50/60Hz shaft ømm shaft Lmm manuf. no. 11904F1 / DER000.0010		
spare parts for	360549		
	Part No.	360118	Ref. No. —
	motor CDC pinion ø 4.9mm teeth 10 230V voltage AC 50/60Hz turn direction right motor ø 47mm H 19.3mm motor type M48R ATS for timer cable length 260mm 1.9/2.5W		



contactors

LOVATO

power contactors



1

Part No.	380964	Ref. No.	23594 N23594
description	power contactor resistive load 20A 230VAC (AC3/400V) 9A/4kW main contacts 4NO auxiliary contacts connection screw connection type 11BG09T4A230		

relays

supervisory relays



1


Part No.	401610	Ref. No.	23633 N23633
description	supervisory relay revolutions		

probes

sensors



1

Part No.	401611	Ref. No.	23676 N23676 NR23676
description	sensor ø 18mm L 44mm thread M10x1 cable length 1450mm		
accessories for	401611		
	Part No.	521129	Ref. No. —
	nut thread M10 H 6mm SS WS 17 Qty 1 pcs DIN/ISO DIN 439		

solenoid valves

solenoid valves (water)

RPE

solenoid valves with reducers

single



1

Part No.	370440	Ref. No.	N10368
description	solenoid valve 1-fold, without membrane (constantly open) angled inlet 3/4" outlet 11.5mm input 10-12l/min RPE plastic flow regulating valve inlet white		

TP

solenoid valves with reducers



1

Part No.	370436	Ref. No.	23498 N23498
description	solenoid valve double angled 230VAC inlet 3/4" input/l/min output 0.6/0.6l/min DN10 t.max. 90°C TP plastic outlet 11.5mm output A 0.6l/min output B 0.6l/min flow regulating valve outlet A orange flow regulating valve outlet B orange		



1


Part No.	370434	Ref. No.	23157 N23157
description	solenoid valve double angled 230VAC inlet 3/4" input/l/min output 2.5/2.5l/min DN10 t.max. 90°C TP plastic outlet 11.5mm output A 2.5l/min output B 2.5l/min flow regulating valve outlet A yellow flow regulating valve outlet B yellow		





1


Part No.	370449	Ref. No.	23220 N23220 NC23220
description	solenoid valve single angled 230VAC inlet 3/4" outlet 11.5mm input 2.5l/min output/l/min DN10 t.max. 90°C TP plastic flow regulating valve inlet yellow		




			
1			
Part No.	370450	Ref. No.	23623 N23623
description	solenoid valve single angled 230VAC inlet 3/4" outlet 11.5mm input 5l/min t.max. 90°C TP plastic flow regulating valve outlet white flow regulating valve inlet pink		

			
1			
Part No.	370401	Ref. No.	23108 N23108
description	solenoid valve single angled 230VAC inlet 3/4" outlet 11.5mm output 2.5l/min t.max. 90°C TP plastic flow regulating valve outlet yellow		

			
1			
Part No.	370426	Ref. No.	23497 N23497
description	solenoid valve single angled 230VAC inlet 3/4" outlet 11.5mm input/min output 0.6l/min DN10 t.max. 90°C TP plastic flow regulating valve outlet orange		

			
1			
Part No.	370448	Ref. No.	N23537
description	solenoid valve single angled 230VAC cable length 600mm inlet 1/4"mm		

			
1			
Part No.	370399	Ref. No.	23115 N23115
description	solenoid valve single angled 230VAC inlet 3/4" outlet 11.5mm input/min output 0.8l/min DN10 t.max. 90°C TP plastic		


solenoid valves (refrigeration)

CASTEL

valve bodies

STANDARD series


suitable for refrigerants R22, R134a, R404A, R407C, R410A, R507

			
1			
Part No.	370427	Ref. No.	23001 N23001
description	solenoid valve single angled 230VAC inlet 3/4" outlet 11.5mm input/min output 1.2l/min DN10 t.max. 90°C TP plastic flow regulating valve outlet dark brown		

			
1			
Part No.	370151	Ref. No.	20410 N20410
description	solenoid valve body NC type 1028/2 S p max 45bar connection 1/4" soldering connection DN 2.2mm -35 up to +105°C L 125mm refrigeration straight CASTEL		
accessories for	370151		
	Part No.	371084	Ref. No. —
	solenoid coil CASTEL 230VAC 8VA 50/60Hz connection cable 1000mm type CM2		
	Part No.	371090	Ref. No. —
	power socket plug type DIN 43650A screw		
	Part No.	371301	Ref. No. —
	solenoid coil CASTEL 110VAC 8VA 50/60Hz seat ø 11.5mm connection DIN 43650A type HF2		
	Part No.	371314	Ref. No. —
	solenoid coil CASTEL 240VAC 8VA 50/60Hz seat ø 11.5mm		

Table continues overleaf



accessories for	370151			
	Part No.	371321	Ref. No.	—
	solenoid coil CASTEL 12/24VAC 50/60Hz seat ø 11.5mm connection DIN 43650A type HF2			

pressure switches

for refrigeration

SAGI NO MIYA



1

Part No.	541480	Ref. No.	23342 N23342
description	pressure control HD reset manual p max 33bar refrigeration type FTB-3UC37 connection male faston 6.3mm switch-off pressure 30bar -20 to +70°C		



1

Part No.	541479	Ref. No.	23175 N23175
description	pressure control HD reset automatic refrigeration type HTB-X114 connection 2.4mm		

compressors

EMBRACO / ASPERA

R404a/R507

HMBP monophase

High/Medium evaporation temperature above -20/-15 °C



1

Part No.	605161	Ref. No.	N23505
description	compressor coolant R404a/R507 type NEK6210GK 220-240V 50Hz HMBP fully hermetic 8.5kg 3/8HP cylinder capacity 8.78cm³ CSIR H 200mmW 566W 674W 815W 988W 1195W 1435W 1707W		



1

Part No.	605190	Ref. No.	N23438
description	compressor coolant R404a/R507 type NJ9232GK 220-240V 50Hz HMBP 22.1kg 1 1/4HP cylinder capacity 26.2cm³ CSR H 277mmWW 1093W 1470W 1911W 2413W 2973W 3588W 4255W ambient temperature max. 45°C		



fans

refrigeration fans

refrigeration motors universal

ELCO

BT series - capacitor motors



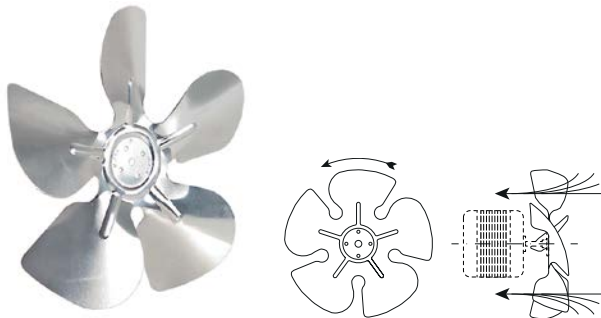
1			
Part No.	601420 ¹	Ref. No.	23121 N23121
description	fan motor 45W 230V 50Hz L1 53mm L2 18mm L3 120mm W 103mm cable length 500mm 1300rpm ELCO 3FBT 50-40/15 3 mounting options bearing slide bearing		

¹incl. capacitor

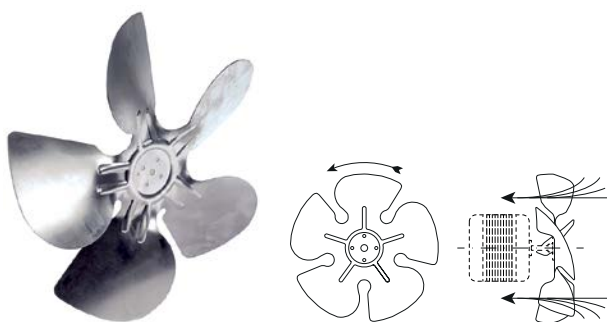
accessories

fan wheels

aluminium

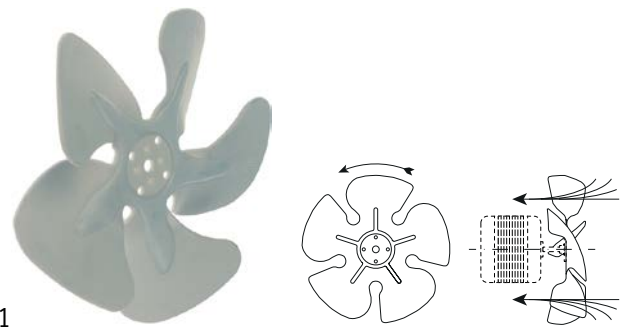


1			
Part No.	601284	Ref. No.	20031 N20031
description	fan wheel sucking ø 254mm fan wheel mounting 25.4mm blade angle 28° W 42mm aluminium		



1			
Part No.	601410	Ref. No.	20407 N20407
description	fan wheel sucking ø 300mm fan wheel mounting 25.4mm blade angle 28° W 45mm aluminium		

plastic



1			
Part No.	601412	Ref. No.	N10213
description	fan wheel sucking ø 154mm fan wheel mounting 25.4mm blade angle 28° W 34mm plastic		

cooling motors (various)

refrigeration motors with foot



1			
Part No.	601418	Ref. No.	N23029
description	fan motor 10W 230V 50Hz L1 48mm L2 70mm L3 85mm W 83mm feet depth 72mm cable length 500mm connection with plug		

motors

gear motors

for ice-cube maker

miscellaneous




1			
Part No.	500675	Ref. No.	N23532
description	gear motor 220/240V 50Hz for flake ice maker		





pumps


pumps for ice machines

1 electric components






1

Part No.	500590	Ref. No.	N23377 NC23377
description	pump FIR type 4240.2300 120W 230V 50/60Hz inlet ø 22mm outlet ø 22mm L 240mm rotation direction right for ice-cube maker capacitor 5µF		
spare parts for	500590		
	Part No.	601412	Ref. No. N10213
	fan wheel sucking ø 154mm fan wheel mounting 25.4mm blade angle 28° W 34mm plastic		
	Part No.	601413	Ref. No. —
	fixing plate suitable for fanwheel ED ø 32mm shaft ø 7 mounting distance 26mm		




1

Part No.	500591	Ref. No.	NC23691
description	pump FIR type 4240.2301 120W 230V 50/60Hz inlet ø 22mm outlet ø 22mm L 260mm rotation direction right capacitor 5µF		
spare parts for	500591		
	Part No.	601412	Ref. No. N10213
	fan wheel sucking ø 154mm fan wheel mounting 25.4mm blade angle 28° W 34mm plastic		
	Part No.	601413	Ref. No. —
	fixing plate suitable for fanwheel ED ø 32mm shaft ø 7 mounting distance 26mm		







1

Part No.	499233	Ref. No.	C23858
description	pump REBO 45W 220/240V 50Hz inlet ø 19mm outlet ø 17mm L 110mm rotation direction left for ice-cube maker		
spare parts for	499233		
	Part No.	530639	Ref. No. —
	impellor suitable for REBO ø 42mm ID ø 6x7mm H 17mm		







1

Part No.	500165	Ref. No.	23002 NC23002
description	pump REBO type 63/35 120W 230V 50/60Hz inlet ø 28mm outlet ø 26mm L 180mm rotation direction right for ice-cube maker capacitor 5µF		
spare parts for	500165		
	Part No.	365017	Ref. No. —
	operating capacitor capacity 5µF 450V tolerance 5% 50/60Hz ambient temperature max. -25 to +85°C ø 28mm L 54mm M8 plastic connection male faston 6.3mm 16.10.08 protection		
	Part No.	601412	Ref. No. N10213
	fan wheel sucking ø 154mm fan wheel mounting 25.4mm blade angle 28° W 34mm plastic		
	Part No.	601413	Ref. No. —
	fixing plate suitable for fanwheel ED ø 32mm shaft ø 7 mounting distance 26mm		




1

Part No.	500166	Ref. No.	N23068 NC23068
description	pump REBO type 63/45 150W 230V 50/60Hz inlet ø 28mm outlet ø 26mm L 200mm rotation direction right capacitor 5µF		
spare parts for	500166		
	Part No.	365017	Ref. No. —
	operating capacitor capacity 5µF 450V tolerance 5% 50/60Hz ambient temperature max. -25 to +85°C ø 28mm L 54mm M8 plastic connection male faston 6.3mm 16.10.08 protection		
	Part No.	601412	Ref. No. N10213
	fan wheel sucking ø 154mm fan wheel mounting 25.4mm blade angle 28° W 34mm plastic		
	Part No.	601413	Ref. No. —
	fixing plate suitable for fanwheel ED ø 32mm shaft ø 7 mounting distance 26mm		


1

Part No.	500164	Ref. No.	NC23254
description	pump REBO type NR40 55W 220/240V 50Hz outlet ø 17mm L 113mm rotation direction left for ice-cube maker outlet upper		




1

Part No.	500970	Ref. No.	23073 N23073
description	pump motor 55W 230V 50Hz REBO L 205mm type outlet ømm suitable for for ice maker		




1

Part No.	500161	Ref. No.	NC23056 NC23076
description	pump REBO type NR40 55W 230V 50Hz outlet ø 17mm L 110mm rotation direction left for ice-cube maker		
spare parts for	500161		
	Part No.	500970	Ref. No. 23073 N23073
description	pump motor 55W 230V 50Hz REBO L 205mm type outlet ømm suitable for for ice maker		

condensators & interference suppression filters


filters

RC circuits



1

Part No.	365211	Ref. No.	N23457
description	interference suppression filter type XRY RC MKPX2 275V connection plug		



1


Part No.	500592	Ref. No.	NC23566
description	pump REBO type NR40 55W 230V 50Hz outlet ø 17mm L 110mm rotation direction left for ice-cube maker		

equipment-specific units

for ice-cube maker


drain systems

drain fittings



1


Part No.	695620	Ref. No.	N10472
description	drain fitting straight connection 24mm for ice maker		




1


Part No.	500593	Ref. No.	NC23624
description	pump REBO type NR40 55W 230V 50Hz outlet ø 17mm L 110mm rotation direction left for ice-cube maker		

overflow pipes



1


Part No.	695622	Ref. No.	N10305
description	lid for overflow pipe tube ø 34mm		
accessories for	695622		
	Part No.	695086	Ref. No. 10133 N10133
description	overflow pipe tube ø 20.5mm pipe length 88.6mm		








1


Part No.	500596	Ref. No.	NC23626
description	pump REBO type NR50 60W 230V 50Hz outlet ø 17mm L 110mm rotation direction left for ice-cube maker		



			
1			
Part No.	695083	Ref. No.	13028 N13028
description	overflow pipe ID ø 22mm D1 ø 27mm D2 ø 19mm L 144mm		

			
1			
Part No.	695086	Ref. No.	10133 N10133 N10133+N20233
description	overflow pipe tube ø 20.5mm pipe length 88.6mm		
accessories for	695086		
	Part No.	532517	Ref. No. —
	O-ring silicone thickness 1.78mm ID ø 17.17mm Qty 1 pcs		
	Part No.	695059	Ref. No. 10007 N10007 N10007/A
	hose connector for ice-cube maker		
	Part No.	695537	Ref. No. N13006
	gasket silicone ED ø 40mm ID ø 30mm thickness 2mm Qty 1 pcs		
	Part No.	695622	Ref. No. N10305
	lid for overflow pipe tube ø 34mm		



reducing rings


			
1			
Part No.	699157	Ref. No.	N20785
description	reduction ring ED ø 54mm int. ø 1 42mm int. ø 2 34mm H 30mm		

spray systems


N.T.F.

spray arms

			
1			
Part No.	695486	Ref. No.	C20029 NC20029
description	spray arm L 440mm nozzles 9 for ice-cube type A		
spare parts for	695486		
	Part No.	695069	Ref. No. D20002 ND20002
	spray nozzle for ice maker		

			
1			
Part No.	695489	Ref. No.	C20058 NC20058
description	spray arm L 670mm nozzles 15 for ice-cube type A		

accessories

			
1			
Part No.	695069	Ref. No.	D20002 ND20002
description	spray nozzle for ice maker		

doors


doors

			
1			
Part No.	695514	Ref. No.	NC10297
description	door for ice-cube maker W 447mm H 217mm thickness 22mm		


curtains


with holder

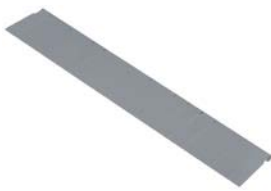
			
1			
Part No.	695506	Ref. No.	NC22034
description	curtain for ice maker W 328mm H 150mm with holder shaft length 325mm shaft ø 7.5mm		


			
1			
Part No.	695508	Ref. No.	NC22059
description	curtain for ice maker W 660mm H 165mm with holder shaft length 665mm shaft ø 7.5mm		





 <p>1</p>			
Part No.	696594	Ref. No.	NC22106
description	curtain for ice-cube maker W 273mm H 160mm shaft length 280mm shaft ø 7.6mm holder length 316mm		


without holder			
 <p>1</p>			
Part No.	695619	Ref. No.	NC10532
description	curtain for ice maker W 275mm H 80mm shaft length 280mm shaft ø 7.5mm		



 <p>1</p>			
Part No.	695117	Ref. No.	NC10534
description	curtain for ice-cube maker W 430mm H 80mm shaft length 440mm shaft ø 7.5mm complete with rod		


accessories			
lamellas			
 <p>1</p>			
Part No.	695082	Ref. No.	10005 N10005
description	lamella for curtain L 69mm W 23mm ID ø 8mm		


pan mechanics			
sumps			
 <p>1</p>			
Part No.	696739	Ref. No.	NC10491 NRC10491
description	sump for ice maker L 310mm W 205mm H 85mm		

spare parts and accessories			
 <p>1</p>			
Part No.	695013	Ref. No.	20389 N20389
description	paddle with spindle		

suction system			
intake filters			
 <p>1</p>			
Part No.	695532	Ref. No.	20005 N20005
description	round filters ø 28mm H 60mm		

gaskets			
miscellaneous			
 <p>1</p>			
Part No.	695537	Ref. No.	N13006
description	gasket silicone ED ø 40mm ID ø 30mm thickness 2mm Qty 1 pcs		
accessories for	695537		
			
Part No.	695059	Ref. No.	10007 N10007 N10007/A
description	hose connector for ice-cube maker		

flaps			
 <p>1</p>			
Part No.	696350	Ref. No.	NC26544
description	flap W 79mm H 86mm thickness 26mm		

mechanics for evaporators			
miscellaneous			
 <p>1</p>			
Part No.	696550	Ref. No.	NC20633
description	mechanical shaft seal for evaporator ID ø 26mm		



hoses

formed hoses

form L



1


Part No.	695107	Ref. No.	13005 N13005
description	formed hose L-shape for ice-cube maker ID ø 17mm ED ø 23.5mm L 70mm W 50mm		

hose connectors

with thread



1

Part No.	695059	Ref. No.	10007 N10007 N10007/A
description	hose connector for ice-cube maker		
accessories for	695059		
	Part No.	695537	Ref. No. N13006
description	gasket silicone ED ø 40mm ID ø 30mm thickness 2mm Qty 1 pcs		

without thread



1

Part No.	695058	Ref. No.	10006 C10006 NC10006
description	hose connector 2-way for ice-cube maker		



1

Part No.	695527	Ref. No.	NC26452
description	hose connector 3-way for hose for ice-cube maker		

floats

float containers




1

Part No.	695072	Ref. No.	C10201 NC10201
description	float container for ice maker with microswitch plastic		




1

Part No.	696755	Ref. No.	C10164 NC10164 NC10164GB
description	float container for ice maker with microswitch plastic suitable for GB902		
spare parts for	696755		
	Part No.	345105	Ref. No. —
description	microswitch with plunger 250V 16A 1CO connection male faston 6.3mm L 28mm ambient temperature max. 125°C mounting distance 22mm type SM-51 actuating force: 280g black		



1

Part No.	402163	Ref. No.	10145 N10145
description	float container L 150mm 250V cable lengthmm ømm mounting ømm 2CO 12A male faston 6.3mm		
spare parts for	402163		
	Part No.	348044	Ref. No. —
description	microswitch with plunger 250V 16A 1CO connection male faston 4.8mm Lmm L1 27.8mm ambient temperature max. 125°C mounting distance 22mm with lever set type MS1-16 actuating force: 45g white		

miscellaneous



1

Part No.	695536	Ref. No.	N10096
description	nut for drain assembly		

valves

intake valves



1

Part No.	695539	Ref. No.	10188 N10188
description	intake valve with float		



equipment feet and end caps

equipment feet

with screw mounting

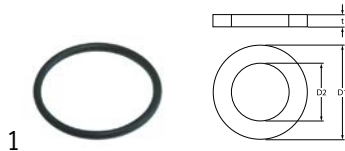


Part No.	700761	Ref. No.	N10406
description	equipment foot tube ø 50mm thread M10 thread L 12mm H 130-180mm SS size 2" Qty 1 pcs		

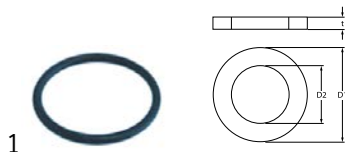
gaskets

O-rings

EPDM

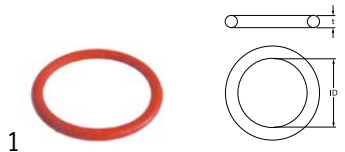


Part No.	517004	Ref. No.	20429 N20429
description	O-ring EPDM thickness 2.62mm ID ø 34.6mm Qty 1 pcs		

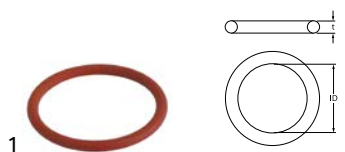


Part No.	528192	Ref. No.	20655 N20655
description	O-ring EPDM thickness 3mm ID ø 56mm Qty 1 pcs		

silicone



Part No.	532255	Ref. No.	20688 N20688
description	O-ring silicone thickness 2.62mm ID ø 21.89mm Qty 10 pcs		



Part No.	527123	Ref. No.	20689 N20689
description	O-ring silicone thickness 3.53mm ID ø 34.52mm Qty 1 pcs		

sealing washers

plastic gaskets



Part No.	695538	Ref. No.	N13007
description	gasket plastic ED ø 40mm ID ø 30mm thickness 2mm Qty 1 pcs		

silicone gaskets



Part No.	695537	Ref. No.	N13006
description	gasket silicone ED ø 40mm ID ø 30mm thickness 2mm Qty 1 pcs		

accessories for



Part No.	695059	Ref. No.	10007 N10007 N10007/A
description	hose connector for ice-cube maker		

refrigeration cycle components

valves

Schrader valves

valve bodies



Part No.	750097	Ref. No.	N14007
description	valve body for Schrader valve thread 1/4" SAE connection 6mm soldering connection		

valve inserts



Part No.	750098	Ref. No.	14005 N14005
description	Schrader valve CASTEL 8394/B R22		



evaporators

for ice-cube maker

for ice cube maker



1

Part No.	750201	Ref. No.	ND10046
description	evaporator for ice-cube maker 36 cubes L 440mm W 190mm H 40mm		



1

Part No.	750202	Ref. No.	ND10047
description	evaporator for ice-cube maker 60 cubes L 665mm W 190mm H 40mm		

accessories

miscellaneous

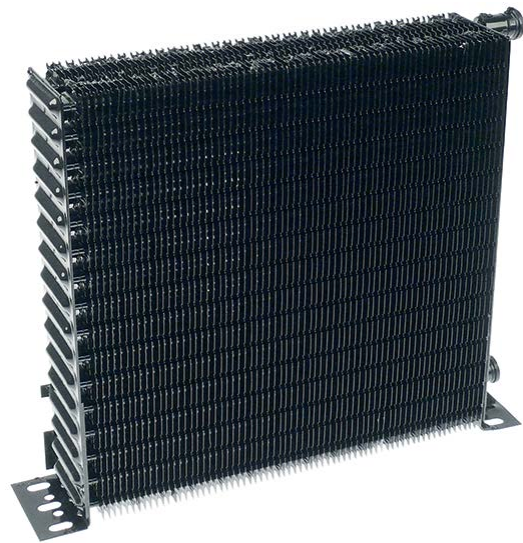


1

Part No.	696550	Ref. No.	NC20633
description	mechanical shaft seal for evaporator ID ø 26mm		

condensers

condensers



1

Part No.	750409	Ref. No.	N20175
description	condenser W 260mm D 60mm H 250mm mounting distance 275mm connection ø 8mm		

condensers water-cooled




1

Part No.	750392	Ref. No.	N14034
description	condenser tube ø 15mm water-cooled ø 255mm mounting distance 128mm		



evaporation and condensing trays

unheated condensing trays


 <p>1</p>			
Part No.	750316	Ref. No.	NC10314
description	condensing tray L 160mm W 80mm H 85mm		

transmission technology and ball bearings

ball bearings

deep-groove ball bearings 2RS

 <p>1</p>			
Part No.	523522	Ref. No.	20045 N20045
description	deep-groove ball bearing type 6004-2RS shaft \varnothing 20mm ED \varnothing 42mm W 12mm with sealing discs deep-groove ball bearing DIN 625-1		

 <p>1</p>			
Part No.	523511	Ref. No.	20433 N20433
description	deep-groove ball bearing type 6203-2RS shaft \varnothing 17mm ED \varnothing 40mm W 12mm with sealing discs deep-groove ball bearing DIN 625-1		

 <p>1</p>			
Part No.	523513	Ref. No.	N20112
description	deep-groove ball bearing type 6205-2RS shaft \varnothing 25mm ED \varnothing 52mm W 15mm with sealing discs deep-groove ball bearing DIN 625-1		

thrust ball bearings

 <p>1</p>			
Part No.	523052	Ref. No.	N20685
description	thrust ball bearing shaft \varnothing 30mm ED \varnothing 62mm W 42mm type 500-4251 DIN 711		

springs

tension springs


 <p>1</p>			
Part No.	695544	Ref. No.	20282 N20282
description	tension spring \varnothing 10.5mm total length 42mm wire gauge \varnothing 1.5mm		

 <p>1</p>			
Part No.	695108	Ref. No.	20228 N20228
description	tension spring \varnothing 6.3mm total length 21mm wire gauge \varnothing 0.5mm		

 <p>1</p>			
Part No.	695435	Ref. No.	20232 N20232
description	tension spring \varnothing 9.2mm total length 24mm wire gauge \varnothing 1.6mm		

water cycle components

supply filters

 <p>1</p>			
Part No.	695531	Ref. No.	10139 N10139
description	supply filter thread 1" total length 100mm plastic with metal filter \varnothing 18mm		

GASTROPARTS.COM



© 2020 Gastroparts Sp. J. All rights reserved.