



GASTROPARTS

Icematic

- [EN]** Refrigeration
- [DE]** Kühlgeräte
- [ES]** Refrigeración
- [FR]** Réfrigération
- [IT]** Refrigerazione
- [PL]** Chłodnictwo
- [RU]** Холодильная техника

✉ gastroparts@gastroparts.com

☎ +48 56 657 00 66

📘 fb.com/gastroparts.global

GASTROPARTS.COM



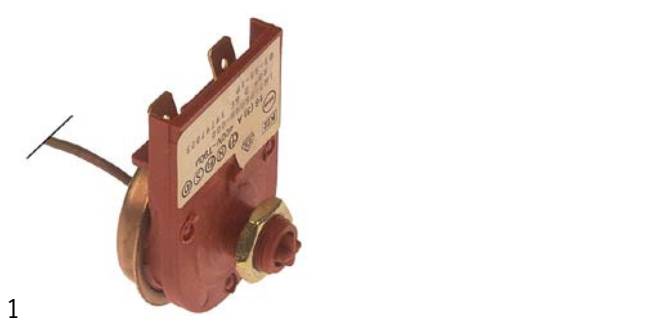


thermostats

control and safety thermostats

RANCO

safety thermostats



Part No.	390583	Ref. No.	19797023/0 CM19797023/0
description	safety thermostat t.max. 80°C temperature range°C 1-pole 1NC 16A probe ø 9mm probe L 50mm capillary pipe 800mm capillary pipe isolatedmm gland nut shaft ømm shaft Lmm shaft position rotation° probe material copper with coiled probe screw connection M10x0.75 switch-off temp. 80°C		
For models:	N21S, N25SW, N45L, N45S, N45SW, N70SW, N90SW		

refrigeration thermostats

DANFOSS

service thermostats DANFOSS

All Danfoss thermostats are supplied with fastening material application:

390552 - **fridges

390553 - **Refrigerators with defrosting push button 390554 -
/Refrigerators with automatic defrosting 390555 -
absorption refrigerators

390557 - Deep cooler with active signal

390558 - Freezing with passive signal

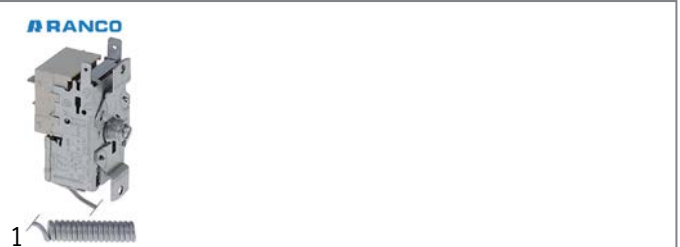
390559 - bottle cooler 390559



Part No.	390559	Ref. No.	077B7008 19797007/0 19797012/0 CM19797007/0 CM19797012/0
description	thermostat type 077B7008 capillary pipe 2000mm temperature range -8.5 up to +11.5°C probe ømm probe Lmm		

RANCO

K22 series



Part No.	390209	Ref. No.	19797009/0 CM19797009/0
description	thermostat RANCO type K22L1020 probe ø 9mm probe L 40mm capillary pipe 2000mm temperature range -20.5 up to -1.5°C		
For models:	N21S		

K50 series




Part No.	390581	Ref. No.	19797026/0 CM19797026/0 I-35
description	thermostat RANCO type K50-S3595 probe ø 2mm probe Lmm capillary pipe 2000mm		
For models:	N21S		


K55 series





Part No.	390210	Ref. No.	3824917
description	thermostat RANCO type K55L1042 capillary pipe 1100mm temperature range +1.7 up to +9.5°C probe ø10x110mm		



 <p>1</p>			
Part No.	390283	Ref. No.	19797017/0 19797302/0 CM19797017/0 CM19797302/0
description	thermostat RANCO type K55L5081 capillary pipe 1100mm temperature range°C probe ø10x110mm		
For models:	N140, N20L, N20WL, N25BI, N25L, N25LBI, N25LW, N25S, N25SW, N35BI, N35S, N35SW, N45L, N45S, N45SW, N50BI, N50BIW, N55L, N55LW, N55S, N55SW		

 <p>2</p>			
Part No.	390284	Ref. No.	19797018/0 19797303 CM19797018/0
description	thermostat RANCO type K55L5082 capillary pipe 1500mm temperature range°C probe ø10x110mm		
For models:	N70S, N70SW, N90L, N90LW, N90S, N90SW		

with mounting components			
 <p>1</p>			
Part No.	346876	Ref. No.	19410208/0 81401140 CM19410208/0
description	microswitch with handle with a switch 250V 16A 1CO connection male faston L 35mm L1 28mm ambient temperature max. 125°C mounting distance 22mm type V-166-1CR5 actuating force: 86g		
For models:	N20L, N20WL, N25BI, N25L, N25LBI, N25LW, N25S, N25SW, N35BI, N35S, N35SW		


float switches			
 <p>1</p>			
Part No.	345365	Ref. No.	81404080/0 81409179/0 CM81404080/0 CM81409179/0
description	float switch 250V 16A 1CO male faston 6.3mm L 150mm ambient temperature max. 125°C mounting distance 23mm type EF83161.5 actuating force: 5g black		
For models:	N20L, N20WL, N25BI, N25L, N25LBI, N25LW, N25S, N25SW, N35BI, N35S, N35SW, N45L, N45S, N45SW, N50BI, N50BIW, N55L, N55LW, N55S, N55SW, N70S, N70SW, N90L, N90LW, N90S, N90SW		


switches and momentary switches

microswitches

roller-lever actuated

heavy duty version

 <p>1</p>			
Part No.	346874	Ref. No.	19410300/0 CM19410300/0
description	microswitch with handle with a switch 250V 16A 1CO connection screw L 29mm L1 49mm ambient temperature max. 85°C mounting distance 26mm type Z-15GW22-B actuating force: 120g lever length 25mm		

 <p>1</p>			
Part No.	347088	Ref. No.	81449091/0 CM81449091/0
description	float switch with plunger 250V 16A 1CO male faston 6.3mm L 130mm ambient temperature max. 125°C mounting distance 23mm type EF83161.5 actuating force: 5g black		
For models:	N140		


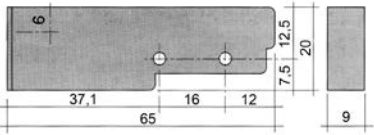

floats			
 <p>1</p>			
Part No.	695036	Ref. No.	29025013/0 CF66058500 CF78312700 CM29025013/0 CMCF66058500 CMCF78312700
description	float for ice maker ø 75mm L 115mm H 40mm plastic		
For models:	F100, F120, F125C, F200, F80C, F80WC, SF300, SF500, SFN1000, SFN1000W		

touch sensitive light switches

			
1			
Part No.	402009	Ref. No.	29040018 29040018/0 33580175/0 CF65067400 CM29040018/0 CM33580175/0 CMCF65067400
description	light barrier L 310mm W 35mm H 47mm		
For models:	F80C, F80WC		


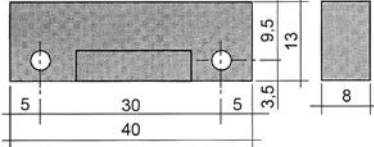
magnetic switches

65x20mm

			
1			
			
Part No.	345116	Ref. No.	19410213
description	magnetic switch L 65mm W 20mm 1NO 250V 0.4A P max. 100W connection cable cable length 3000mm		
accessories for	345116		
			
Part No.	345399	Ref. No.	19355004/0 CM19355004/0
description	magnet ø 3.3mm L 40mm H 8mm W 13mm hole distance 30mm M3		

accessories

magnets

			
1			
			
Part No.	345399	Ref. No.	19355004/0 CM19355004/0
description	magnet ø 3.3mm L 40mm H 8mm W 13mm hole distance 30mm M3		
For models:	N200M, N200MW, N300M, N300MW		


lamps

indicator lights

indicator lights (complete)

ø13mm


with plug-in socket

			
1			
Part No.	359141	Ref. No.	33576295
description	indicator light ø 13mm red 230V connection male faston 6.3mm temp.-resist. 120°C Qty 1 pcs		

relays

power relays

with bracket mounting


			
1			
Part No.	380312	Ref. No.	19620107/0 CM19620107/0
description	power relays FINDER 230VAC 10A 3CO connection male faston 4.8mm bracket mounting dimensions 52x32.2x36.5mm manuf. no. 60.63.8.230.0000		
For models:	N140, N20L, N20WL, N25BI, N25L, N25LBI, N25LW, N25S, N25SW, N35BI, N35S, N35SW, N45L, N45S, N45SW, N50BI, N50BIW, N55L, N55LW, N55S, N55SW, N70S, N70SW, N90L, N90LW, N90S, N90SW		

electronic controllers

CAREL

refrigeration controllers

built-in version

			
1			
Part No.	381365	Ref. No.	26118434/0 CM26118434/0
description	electronic controller CAREL IR33S0EN00 mounting measurements 71x29mm built-in depth 56mm 230V voltage AC relay outputs 1 CO-8A(4) NTC NTC DI yes yes yes yes yes protection IP65 display 3 digits		



probes

producer-specific probes

probes



Part No.	402006	Ref. No.	29070010 33580065/0 33580065/1 CM33580065/0 CM33580065/1
description	temperature probe PTC 2k0hm cable PVC probe -50 up to +150°C cable -10 up to 100°C connection plug thread probe ø5x60mm cable length 1.5m		

Hall sensors



Part No.	402044	Ref. No.	29070015/0 CF62040403 CM29070015/0 CMCF62040403
description	Hall sensor L 29mm W 26mm H 26mm mounting distance 10mm cable length 1250mm		
For models:	F100, F100C, F120, F125C, F200, F80C, F80WC, SF300, SF500, SFN1000, SFN1000W		

accessories

miscellaneous



Part No.	402040	Ref. No.	29015055 29015055/0 29070016 CF62040404 CM29015055/0 CMCF62040404
description	cable for level electrode cable length 1800mm		
For models:	F100, F120, F125C, F200, SF300, SF500, SFN1000, SFN1000W		

electronics

housing for PCBs



Part No.	695663	Ref. No.	29070021/0 CF66054600 CM29070021/0 CMCF66054600
description	housing PCB L 230mm W 142mm H 57mm		
For models:	F100C		



Part No.	694206	Ref. No.	19190397/0 CF66054700 CM19190397/0 CMCF66054700
description	lid PCB L 180mm W 110mm H 9mm		
For models:	F100, F120, F200, SF300, SF500		
accessories for	694206		

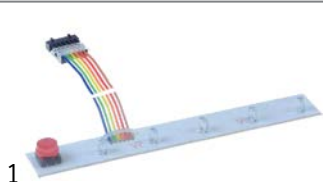
Part No.	694205	Ref. No.	—
description	housing PCB L 180mm W 110mm H 40mm		



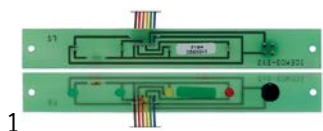
Part No.	694796	Ref. No.	29015057/0 CM29015057/0
description	lid PCB L 205mm W 125mm H 14mm plastic		



PCBs



Part No.	401805	Ref. No.	33580151/0 CM33580151/0
description	display PCB ice maker N201/N301//N501 L 170mm W 25mm		
For models:	N131M, N201M, N301M, N401M, N501M		



Part No.	401801	Ref. No.	33580024/0 CM33580024/0
description	keypad PCB ice maker N200/N300/N500		
For models:	N200M, N200MW, N300M, N300MW, N500M		



Part No.	401799	Ref. No.	33580150/0 33580250/0 CM33580150/0 CM33580250/0
description	PCB ice maker N201/N301//N501 230V		
For models:	N131M, N201M, N301M, N401M, N501M		

accessories for	401799			
	Part No.	701450	Ref. No.	81455102/0 CM81455102/0
connection cable L 1300mm 2-pole level sensor suitable for ice maker connection plug plug type coded plug				

central units



Part No.	402004	Ref. No.	29070012/0 81469134/0 CM29070012/0 CM81469134/0
description	control box		
For models:	F100, F100C, F120, F125C, F200, F80C, F80WC, SF300, SF500, SFN1000, SFN1000W		

accessories for	402004			
	Part No.	402005	Ref. No.	29070013 29070013/0 620404.10 CF62040410 CM29070013/0 CMCF62040410
temperature probe PTC 2kOhm cable TPE probe -50 up to +150°C cable -40 up to +110°C connection plug thread probe ø6x50mm cable length 1.6m				

accessories for	402004			
	Part No.	402044	Ref. No.	29070015/0 CF62040403 CM29070015/0 CMCF62040403
Hall sensor L 29mm W 26mm H 26mm mounting distance 10mm cable length 1250mm				
	Part No.	402191	Ref. No.	29070014/0 CF62040401 CM29070014/0 CMCF62040401
temperature probe PTC 2kOhm cable TPE probe -50 up to +150°C cable -40 up to +110°C connection plug thread probe ø5x20mm cable length 1.8m				

	Part No.	403836	Ref. No.	81414543/0 CF62046213 CF62046215 CM81414543/0 CMCF62046213 CMCF62046215
description	control box ice maker suitable for ICEMATIC/SCOTSMAN/SIMAG			

	Part No.	403837	Ref. No.	81400264/0 CM81400264/0
description	control box ice maker suitable for ICEMATIC/SCOTSMAN/SIMAG			

	Part No.	402042	Ref. No.	CMXG06071100
description	control box suitable for SFT 012			



solenoid valves

solenoid valves (water)

ELBI



1

Part No.	370431	Ref. No.	19865518/0 CM19865518/0
description	solenoid valve single straight 230VAC inlet 3/4" outlet 11.5mm input/min output 2l/min DN10 t.max. 90°C ELBI plastic		
For models:	N21S		



1

Part No.	370461	Ref. No.	19865509/0 CM19865509/0
description	solenoid valve double straight 230VAC inlet 3/4" outlet 11.5mm input/min output -/4,7l/min DN10 t.max. 90°C ELBI plastic output B 4.7l/min flow regulating valve outlet B grey output A w/t membrane (constantly open)		
For models:	N140, N20L, N20WL, N45S, N45SW, N50BI, N50BIW, N55SW, N70SW, N90LW, N90SW		



1

Part No.	370433	Ref. No.	65010551
description	solenoid valve double straight 230VAC inlet 3/4" outlet 11.5mm input/min output 2/2.5l/min DN10 t.max. 90°C ELBI plastic output A 2l/min output B 2.5l/min flow regulating valve outlet A white flow regulating valve outlet B orange		

TP

solenoid valves with reducers



1

Part No.	370416	Ref. No.	19865530/0 CM19865530/0
description	solenoid valve double straight 230VAC inlet 3/4" input/min output 1.2/1.2l/min DN10 t.max. 90°C TP plastic outlet 11.5mm output A 1.2l/min output B 1.2l/min flow regulating valve outlet A dark brown flow regulating valve outlet B dark brown		
For models:	N20L, N20WL, N25LW, N25SW, N35SW		

drain valves



1

Part No.	370691	Ref. No.	19865525 19865597 19865597/0 81454760/0 CM19865597/0 CM81454760/0
description	solenoid valve angled 220-240V kit inlet 17.5mm outlet 16mm		
For models:	N201M, N301M, N500M, N501M		

compressors

ACC/ZEL

R404a/R507

HMBP monophase

High/Medium evaporation temperature above -20/-15 °C



1

Part No.	605014	Ref. No.	19165854
description	compressor coolant R404a/R507 type ML80TB 220-240V 50Hz HMBP fully hermetic 11.4kg 3/8HP cylinder capacity 7.57cm³ CSIR H 175.5mmW 261W 346W 446W 561W 691W 835W 993W 1167W test method ASHRAE ambient temperature max. 43°C		

EMBRACO / ASPERA

R404a/R507

LBP monophase

Lower evaporation temperature below -20°C



1

Part No.	605174	Ref. No.	CM19165559/0
description	compressor coolant R404a/R507 type NJ2192GK 220-240V 50Hz LBP 20.4kg 1 1/4HP cylinder capacity 26.2cm³ CSIR H 265mm 685W 989W 1342W 1745W 2196W 2196WWWWW		



L'UNITE HERMETIQUE / TECUMSEH

R404A

HMBP monophase

High/Medium evaporation temperature above -20/-15 °C



Part No.	605065	Ref. No.	81453661 81453661/0 CF67009905 CM19165594/0 CM81453661/0 CMCF67009905
description	compressor coolant R404A type CAJ4519Z 220-240V 50Hz HMBP 24kg 1.5HP cylinder capacity 34.4cm ³ CSR H 282mmWWW 1769W 2353W 3009W 3756W 4360W 5200W		
For models:	N301M, SF500		

fans

refrigeration fans


refrigeration motors universal

ELCO

N series - multi fit



Part No.	601427	Ref. No.	18562496/0 29020001 29020003 CF62041902 CM18562496/0 CMCF62041902
description	fan motor ELCO 10W 230V 50/60Hz bearing slide bearing L1 49mm L2 59mm L3 86.5mm W 83mm connection cable 500mm 1300/1550rpm 5 mounting options VNT10-20/028		
For models:	F100, F100C, F120, F200, N35S, N35SW, N45L		
spare parts for	601427		
	Part No.	560140	Ref. No. —
	hexagonal nut thread M4 H 4.8mm SS WS 7 Qty 20 pcs DIN/ISO DIN 985 self-locking		
	Part No.	560332	Ref. No. —
	plain washer ID ø 4.3mm ED ø 9mm thickness 0.8mm SS Qty 1 pcs		
	Part No.	560340	Ref. No. —
	hexagonal nut thread M4 H 3.2mm WS 7 SS DIN/ISO DIN 934 / ISO 4032/8673 Qty 1 pcs		

spare parts for	601427		
	Part No.	601413	Ref. No. —
	fixing plate suitable for fanwheel ED ø 32mm shaft ø 7 mounting distance 26mm		

miscellaneous


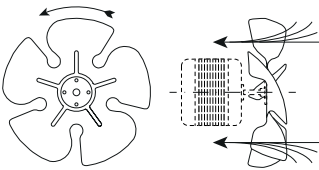

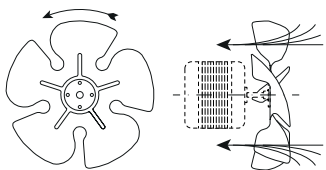

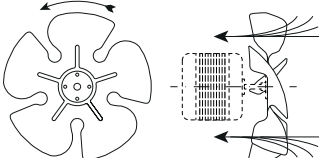



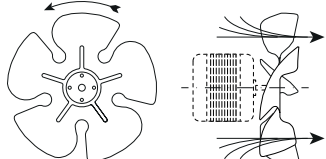
Part No.	601431	Ref. No.	29020005 CF62041906 CMCF62041906
description	fan motor 35W 230V		
For models:	SF500		


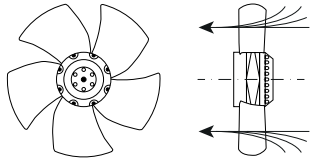



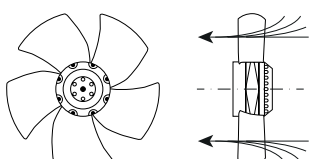
Part No.	601524	Ref. No.	18562524 18562524/0 CM18562524/0
description	fan motor 35W 230V 50/60Hz L3 153mm W 83mm cable length 1600mm 1300rpm with capacitor capacitor 2.5µF		
For models:	N131M, N201M, N301M, N401M, N501M		



accessories			
fan wheels			
aluminium			
 <p>1</p> 			
Part No.	601387	Ref. No.	62041934
description	fan wheel sucking \varnothing 254mm fan wheel mounting 25.4mm blade angle 34° W 50mm aluminium		
 <p>2</p> 			
Part No.	601555	Ref. No.	CF62000001 CF62041936 CMCF62000001 CMCF62041936
description	fan wheel sucking \varnothing 300mm fan wheel mounting 25.4mm blade angle 25° W 45mm aluminium		
For models:	SF500		
 <p>1</p> 			
Part No.	601410	Ref. No.	18740032/0 CM18740032/0
description	fan wheel sucking \varnothing 300mm fan wheel mounting 25.4mm blade angle 28° W 45mm aluminium		
For models:	N401M, N501M		

aluminium			
 <p>1</p> 			
Part No.	602041	Ref. No.	18740042/0 CM18740042/0
description	fan wheel blowing \varnothing 300mm fan wheel mounting 25.4mm blade angle 31° W 58mm aluminium		

cold air circulating fans (complete)			
HIDRIA			
 <p>1</p> 			
Part No.	602029	Ref. No.	18562559/2 CM18562559/2 CM18562559/3
description	fan type R09R-30SPB-4M-3509 fan wheel \varnothing 300mm 230V 50/60Hz 80W \varnothing 105mm suitable capacitor 2.5 μ F HIDRIA suitable for blast chiller 1370rpm H 90mm cable length 1800mm mounting distance 255mm		

 <p>1</p> 			
Part No.	602009	Ref. No.	18562519/0 CM18562519/0
description	fan type R09R-3530HA-4M-4237 fan wheel \varnothing 350mm 230V 50/60Hz 130/165W HIDRIA 1290/1380rpm sucking H 155mm cable length 1800mm mounting distance 315mm		
For models:	T14, T20, T20C, T20R		



radial fans

miscellaneous




1

Part No.	601523	Ref. No.	18562480/0 CM18562480/0
description	radial fan 230V voltage AC 50Hz 50W H1 175mm L1 165mm D1 ø 83mm W1 160mm W2 73mm H2 60mm W3 82mm H3 96mm		
For models:	N50BI, N50BIW		



1

Part No.	500786	Ref. No.	81404024/0 CM81404024/0
description	float motor LIP 11W 230V 50Hz 1rpm shaft ø 8mm W 100mm H 90mm for ice maker L 130mm		
For models:	N20L, N20WL, N25BI, N25L, N25LBI, N25LW, N25S, N25SW, N35BI, N35S, N35SW, N45L		
spare parts for	500786		
	Part No.	695670	Ref. No. 25260000/0 CM25260000/0
disc for pan tilting ø 100mm shaft intake ø 7mm			

motors

gear motors

for ice-cube maker

for paddles



1

Part No.	500407	Ref. No.	19440059/0 19440059/1 CM19440059/0 CM19440059/1
description	gear motor LIP type 123MR 8W 220/240V voltage AC 50/60Hz 50rpm turn direction counterclockwise shaft ø 4mm shaft intake ø 6.2mm groove width 2.3mm shaft L 8mm shaft ø 4mm W 74mm		
For models:	N140, N20L, N20WL, N25BI, N25L, N25LBI, N25LW, N25S, N25SW, N35BI, N35S, N35SW, N45L, N45S, N45SW, N50BI, N50BIW, N55L, N55LW, N55S, N55SW, N70S, N70SW, N90L, N90LW, N90S, N90SW		



1

Part No.	500409	Ref. No.	19440058 19440063/0 19440069/0 81404001/0 CM19440063/0 CM19440069/0 CM81404001/0
description	float motor LIP type 001 11W 220/240V voltage 50/60 0.7rpm shaft ø 7mm shaft length 20mm W 71mm H 62mm L 110mm		

for sumps



1

Part No.	500410	Ref. No.	19440065/0 CM19440065/0
description	float motor LIP 11W 230V 50Hz 0.7rpm shaft ø 7mm shaft length 20mm W 72mm H 110mm 010		
For models:	N140, N70S, N70SW, N90L, N90LW, N90S, N90SW		




1

Part No.	500411	Ref. No.	19440057/0 CM19440057/0
description	gear motor BITRON type 97103 11W 230V 50Hz 0.7rpm shaft ø 7mm shaft length 30mm W 72mm H 60mm L 116mm		




 <p>1</p>			
Part No.	500756	Ref. No.	81442072/0 CM81442072/0
description	gear motor LIP type 10 11W 220/240V voltage AC 50/60Hz 0.7rpm shaft ø 8mm W 118mm H 88mm for ice maker L 130mm		
For models:	N140		

 <p>1</p>			
Part No.	500047	Ref. No.	19550113/0 CM19550113/0 CMCS62043300 CMNM62043300 CMXG62043300
description	pump REBO type MH30F1 30W 230V 50Hz outlet ø 12.7mm L 135mm rotation direction left		
For models:	N131M, N201M, N21S, N301M, N401M, N501M		

accessories


fan wheels

 <p>1</p>			
Part No.	601538	Ref. No.	CF65034000 CMCF65034000
description	fan wheel motor type 71 ø 124mm shaft intake ø 18.5mm H 18mm plastic		
For models:	SF300, SF500, SFN1000, SFN1000W		

 <p>1</p>			
Part No.	500761	Ref. No.	19535157 19535157/0 CM19535157/0
description	pump REBO type MH30F1 30W 230V 50Hz outlet ø 13mm L 135mm rotation direction right for ice maker		
For models:	N200M, N200MW, N300M, N300MW		

pumps

pumps for ice machines

 <p>1</p>			
Part No.	500597	Ref. No.	19550109 19550109/0 CM19550109/0 CMXG62043003
description	pump GRE type MH50F 60W 230V 50Hz outlet ø 21mm L 110mm rotation direction right for ice maker		

condensators & interference suppression filters

operating capacitors

<p>plastic</p>  <p>1</p>			
Part No.	365018	Ref. No.	CF62016724
description	operating capacitor capacity 35µF 400V tolerance 5%Hz ambient temperature max. -25 to +85°C ø 45mm L 95mm M8 plastic connection male faston 6.3mm protection		



equipment-specific units

for fridges

drain systems

siphons



1

Part No.	515142	Ref. No.	28314963/0 CM28314963/0
description	drain connection ø 30mm hose ø 21mm L 82mm plastic		

miscellaneous



1

Part No.	694821	Ref. No.	26104012/0 CM26104012/0
description	guide bar mounting pos. left L 400mm W 45mm		



1

Part No.	694822	Ref. No.	26104013/0 CM26104013/0
description	guide bar mounting pos. right L 400mm W 45mm		

for ice-cube maker

ice breakers



1

Part No.	696436	Ref. No.	29015001 29060000 CF06072000 CMCF06072000
description	ice breaker ID ø 26mm ED ø 51mm H 59mm brass with ball bearing		

ice chutes

ice chutes



1

Part No.	695595	Ref. No.	25250099/0 25260462/0 CM25250099/0 CM25260462/0
description	ice chute for door L 345mm W 205mm white		
For models:	N20L, N20WL, N25BI, N25S, N25SW		

1

Part No.	695596	Ref. No.	25250106/0 CM25250106/0
description	ice chute for door L 423mm W 205mm		



1

Part No.	694282	Ref. No.	25260472/0 25260473/0 CM25260472/0 CM25260473/0
description	ice chute for ice-cube maker L 210mm W 365mm H 90mm white		
For models:	F80C, F80WC, N25L, N25LBI, N25LW, N35BI, N35S, N35SW, N45L, N45S, N45SW, N50BI, N50BIW, N55L, N55LW, N55S, N55SW		


ice scoops




1

Part No.	694819	Ref. No.	19500099/0 CM19500099/0
description	ice scoop L 155mm W 80mm H 55mm		





			
1			
Part No.	694820	Ref. No.	19500101/0 CM19500101/0
description	ice scoop L 240mm W 150mm H 90mm		

spare parts and accessories

			
1			
Part No.	695020	Ref. No.	25654016/0 CM25654016/0
description	disc for pan tilting		
For models:	N140, N20L, N20WL, N25S, N25SW, N45S, N45SW, N50BI, N50BIW, N55L, N55LW, N55S, N55SW, N70S, N70SW		


probes

			
1			
Part No.	401764	Ref. No.	81453007 81453114/0 81453434/0 CM81453114/0 CM81453434/0
description	probe for ice thickness		
For models:	N131M, N200M, N200MW, N201M, N300M, N300MW, N301M, N401M, N500M, N501M		

			
1			
Part No.	401837	Ref. No.	81453796/0 CM81453796/0
description	probe for water level 2-pole cable length 85mm		
For models:	N401M, N501M		

doors

inner doors

			
1			
Part No.	695596	Ref. No.	25250106/0 CM25250106/0
description	ice chute for door L 423mm W 205mm		

doors

			
1			
Part No.	695743	Ref. No.	81460184/0 81460326/0 CM81460184/0 CM81460326/0
description	door for ice maker W 1080mm H 275mm thickness 16mm		


curtains


without holder

			
1			
Part No.	695726	Ref. No.	81401600/0 CM81401600/0
description	curtain for ice maker W 250mm H 70mm shaft length 270mm shaft ø 6mm		
For models:	N21S		

pan mechanics

sumps


			
1			
Part No.	695014	Ref. No.	25098060/0 81403005/0 CM25098060/0 CM81403005/0
description	sump complete for ice maker L 180mm W 125mm H 80mm shaft L 205mm N20 blue		
For models:	N20L, N20WL, N25S, N25SW		

			
1			
Part No.	696414	Ref. No.	81401621/0 CM81401621/0
description	sump complete for ice maker L 180mm W 125mm H 80mm shaft L 210mm N25 blue		
For models:	N25BI, N25L, N25LBI, N25LW, N25S, N25SW		




			
1			
Part No.	695015	Ref. No.	81403007/0 CM81403007/0
description	sump complete for ice maker L 225mm W 165mm H 80mm shaft L 255mm for modell N30/N35 white		
For models:	N35BI, N35S, N35SW		


			
1			
Part No.	695017	Ref. No.	81413001/0 CM81413001/0
description	sump complete for ice maker L 275mm W 220mm H 75mm ICEMATIC white		
For models:	N45S, N45SW, N50BI, N50BIW, N55S, N55SW		


			
1			
Part No.	695016	Ref. No.	81414519/0 81423003/0 CM81414519/0 CM81423003/0
description	sump complete for ice maker L 275mm W 220mm white		
For models:	N55L, N55LW		

			
1			
Part No.	695019	Ref. No.	81442008/0 CM81442008/0
description	sump complete for ice maker L 690mm W 230mm H 65mm ICEMATIC		


			
1			
Part No.	694818	Ref. No.	81400278/0 CM81400278/0
description	sump complete for ice-cube maker L 275mm W 223mm H 80mm white		


			
1			
Part No.	695018	Ref. No.	81423002/0 CM81423002/0
description	sump complete L 455mm W 180mm H 60mm ICEMATIC		
For models:	N70S, N70SW, N90S, N90SW		

			
1			
Part No.	696682	Ref. No.	81453588/0 CM81453588/0
description	sump for ice maker L 697mm W 230mm H 150mm white		


			
1			
Part No.	695662	Ref. No.	25820125/0 CM25820125/0
description	water container for ice maker L 697mm W 260mm H 148mm white		
For models:	N201M, N301M, N401M, N501M		


spare parts and accessories


			
1			
Part No.	695646	Ref. No.	25726279/0 25726478/0 CM25726279/0 CM25726478/0
description	bracket for inner door L 44mm W 20mm H 18mm shaft intake ø 6.3mm mounting distance 30mm		
For models:	F125C, F80C, F80WC, N20L, N20WL, N25BI, N25L, N25LBI, N25LW, N25S, N25SW, N35BI, N35S, N35SW, N45L, N45S, N45SW, N50BI, N50BIW, N55L, N55LW, N55S, N55SW, N70S, N70SW, N90L, N90LW, N90S, N90SW		


			
1			
Part No.	695651	Ref. No.	25525419/0 CM25525419/0
description	bracket for pulser L 34mm W 15mm H 60mm		
For models:	N140, N20L, N20WL, N25BI, N25L, N25LBI, N25LW, N25S, N25SW, N35BI, N35S, N35SW, N45L, N45S, N45SW, N50BI, N50BIW, N55L, N55LW, N55S, N55SW, N70S, N70SW, N90L, N90LW, N90S, N90SW		





 <p>1</p>			
Part No.	695414	Ref. No.	25726121/0 CM25726121/0 CM25726123/0
description	bracket for sump mounting pos. left L 237mm W 15mm H 50mm ICEMATIC		
For models:	N140, N20L, N20WL, N25BI, N25L, N25LBI, N25LW, N25S, N25SW, N35BI, N35S, N35SW, N45L, N45S, N45SW, N50BI, N50BIW, N55L, N55LW, N55S, N55SW, N70S, N70SW, N90L, N90LW, N90S, N90SW		


 <p>1</p>			
Part No.	695415	Ref. No.	25726122/0 25726124/0 CM25726122/0 CM25726124/0
description	bracket for sump mounting pos. right ICEMATIC		
For models:	N140, N20L, N20WL, N25BI, N25L, N25LBI, N25LW, N25S, N25SW, N35BI, N35S, N35SW, N45L, N45S, N45SW, N50BI, N50BIW, N55L, N55LW, N55S, N55SW, N70S, N70SW, N90L, N90LW, N90S, N90SW		


 <p>1</p>			
Part No.	695009	Ref. No.	25726115 25726115/3 CM25726115/3
description	bracket paddle L 50mm W 17mm H 23mm shaft intake \varnothing 6.5mm mounting distance 30mm		
For models:	N140, N20L, N20WL, N25BI, N25L, N25LBI, N25LW, N25S, N25SW, N35BI, N35S, N35SW, N45L, N45S, N45SW, N50BI, N50BIW, N55L, N55LW, N55S, N55SW, N70S, N70SW, N90L, N90LW, N90S, N90SW		


 <p>1</p>			
Part No.	695681	Ref. No.	19800179/0 25110914/0 CM19800179/0 CM25110914/0
description	bush for spindle ED \varnothing 10mm ID \varnothing 6.2mm L 20mm plastic ICEMATIC		
For models:	N20L, N20WL, N25L, N25LW, N25S, N25SW, N35S, N35SW, N45L, N45S, N45SW, N50BI, N50BIW, N55L, N55LW, N55S, N55SW, N70S, N70SW, N90L, N90LW, N90S, N90SW		


 <p>1</p>			
Part No.	695670	Ref. No.	25260000/0 CM25260000/0
description	disc for pan tilting \varnothing 100mm shaft intake \varnothing 7mm		
For models:	N20L, N20WL, N25BI, N25L, N25LBI, N25LW, N25S, N25SW, N35BI, N35S, N35SW, N45L		

 <p>1</p>			
Part No.	695479	Ref. No.	81413043/0 CM81413043/0
description	disc for pan tilting \varnothing 100mm shaft \varnothing 7mm		
For models:	N140, N45S, N45SW, N50BI, N50BIW, N55L, N55LW, N55S, N55SW, N70S, N70SW, N90L, N90LW, N90S, N90SW		


 <p>1</p>			
Part No.	695023	Ref. No.	25325953 25325953/1 CM25325953/1
description	guide for lever L 30mm W 12mm H 15mm		
For models:	N140, N20L, N20WL, N25L, N25LW, N25S, N25SW, N35S, N35SW, N45S, N45SW, N50BI, N50BIW, N55L, N55LW, N55S, N55SW, N70S, N70SW, N90L, N90LW, N90S, N90SW		


 <p>1</p>			
Part No.	695025	Ref. No.	25440110/0 81403011/0 CM25440110/0 CM81403011/0
description	lever for sump L 143mm W 29mm H 37mm shaft intake \varnothing 10mm plastic ICEMATIC		
For models:	N20L, N20WL, N25BI, N25L, N25LBI, N25LW, N25S, N25SW, N35BI, N35S, N35SW, N45L, N45S, N45SW, N50BI, N50BIW, N55L, N55LW, N55S, N55SW, N70S, N70SW, N90L, N90LW, N90S, N90SW		


 <p>1</p>			
Part No.	695026	Ref. No.	25560254/1 25560256/0 CM25560254/1 CM25560256/0
description	pin for lever L 38mm \varnothing 4.5mm metal		
For models:	N140, N20L, N20WL, N25BI, N25L, N25LBI, N25LW, N25S, N25SW, N35BI, N35S, N35SW, N45L, N45S, N45SW, N50BI, N50BIW, N55L, N55LW, N55S, N55SW, N70S, N70SW, N90L, N90LW, N90S, N90SW		


 <p>1</p>			
Part No.	695024	Ref. No.	25110910 25110910/0 25110911/0 CM25110910/0 CM25110911/0
description	roller for pan tilting \varnothing 26.7mm shaft intake \varnothing 8.1mm		
For models:	N140, N20L, N20WL, N25S, N25SW, N45S, N45SW, N50BI, N50BIW, N55L, N55LW, N55S, N55SW, N70S, N70SW		





			
1			
Part No.	695035	Ref. No.	25725433/0 25725439/0 CM25725433/0 CM25725439/0
description	shaft intake for paddle motor L 30mm W 17mm H 60mm shaft intake ø 4mm mounting distance 17mm		
For models:	N140, N20L, N20WL, N25BI, N25L, N25LBI, N25LW, N25S, N25SW, N35BI, N35S, N35SW, N45L, N45S, N45SW, N50BI, N50BIW, N55L, N55LW, N55S, N55SW, N70S, N70SW, N90L, N90LW, N90S, N90SW		


			
2			
Part No.	695004	Ref. No.	25030006/0 CM25030006/0
description	spindle for ice maker ø 6mm L 165mm SS		
For models:	N20L, N20WL, N25BI, N25S, N25SW		

			
1			
Part No.	695005	Ref. No.	25030007/0 CM25030007/0
description	spindle for ice maker ø 6mm L 206mm		
For models:	N35BI, N35S, N35SW		

			
1			
Part No.	695006	Ref. No.	25030010/0 CM25030010/0
description	spindle for ice maker ø 6mm L 315mm SS		
For models:	N45S, N45SW, N50BI, N50BIW, N55L, N55LW, N55S, N55SW		

			
1			
Part No.	695007	Ref. No.	25030011/0 CM25030011/0
description	spindle for paddle L 495mm		
For models:	N70S, N70SW, N90L, N90LW, N90S, N90SW		

			
1			
Part No.	695021	Ref. No.	25474600/0 CM25474600/0
description	torsion spring ø 20.8mm L1 23.2mm L2 37mm wire gauge ø 2.3mm for ice maker		
For models:	N20L, N20WL, N25BI, N25L, N25LBI, N25LW, N25S, N25SW, N35BI, N35S, N35SW		


			
1			
Part No.	695022	Ref. No.	25474602/0 CM25474602/0
description	torsion spring ø 21.2mm L1 26mm L2 37mm wire gauge ø 2.6mm for ice maker		
For models:	N45L, N45S, N45SW, N50BI, N50BIW, N55L, N55LW, N55S, N55SW, N70S, N70SW, N90L, N90LW, N90S, N90SW		

gear wheels

			
1			
Part No.	691787	Ref. No.	29028004
description	gear wheel ø 27/101mm shaft intake ø 13mm teeth 15/94		

drive technology

			
1			
Part No.	694780	Ref. No.	29028005 65115800 CF65115800 CMCF65115800
description	gear wheel ø 135mm shaft ø 25mm W 19mm teeth 83		
For models:	SF300, SF500, SFN1000, SFN1000W		

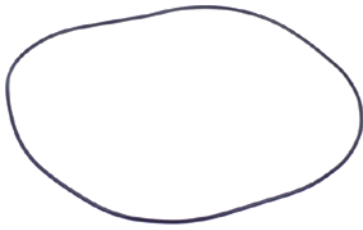
			
1			
Part No.	695582	Ref. No.	290286006 CF65115600 CMCF65115600
description	gear wheel teeth 65 tooth width 14.5mm ED ø 74mm H 72mm shaft ø 12.7mm		
For models:	SF300, SF500, SFN1000, SFN1000W		

gaskets

			
1			
Part No.	695428	Ref. No.	CF65040200 CMCF65040200
description	shaft sealing for auger ED ø 45mm ID ø 30mm		
For models:	SF300, SF500, SFN1000, SFN1000W		



miscellaneous



1

Part No.	697879	Ref. No.	1300061738 CM1300061738
description	O-ring NBR thickness 2.62mm ID ø 219mm Qty 1 pcs		
For models:	SF300, SF500		

housing and bezels

housings



1

Part No.	696685	Ref. No.	25702906/0 CM25702906/0
description	frame for ice maker L 765mm W 495mm H 110mm plastic anthracite		

model name plates



1

Part No.	694824	Ref. No.	19263215/0 CM19263215/0
description	type plate ICEMATIC self-adhesive blue/white L 120mm W 120mm		

insulation



1

Part No.	694112	Ref. No.	CF06055101 CF6055101 CMCF06055101 CMCF6055101
description	insulation for discharge chute L 190mm W 200mm H 175mm		

flaps



1

Part No.	696392	Ref. No.	25820114/0 81453008/0 81453130/0 CM25820114/0 CM81453008/0 CM81453130/0
description	flap for ice maker W 493mm L 423mm for evaporator		



1

Part No.	696610	Ref. No.	81453072 81453131/0 CM81453131/0
description	sump for ice maker W 500mm H 70mm L 540mm for evaporator		

mechanics for evaporators

holders



1

Part No.	694437	Ref. No.	06068800 29015012 29070002 65105900 CF06052700 CF06068800 CF65105900 CF75400801 CMCF06052700 CMCF06068800 CMCF65105900 CMCF75400801
description	bearing block for evaporator kit with holder mounting pos. lower		
For models:	SF300, SF500		



miscellaneous



1

Part No.	694598	Ref. No.	CF78447601 CMCF78447601
description	magnet holder with magnet H 37mm ED ø 42mm plastic		
For models:	SFN1000, SFN1000W		

gear motors

gearboxes



1

Part No.	695607	Ref. No.	29070007 CFA3123001 CMCFA3123001
description	housing for gearbox		
For models:	SF300, SF500, SFN1000, SFN1000W		

hoses

hose connectors

with thread



1

Part No.	695045	Ref. No.	CF66022400 CM25631035 CMCF66022400
description	hose connector 3-way ID ø 15mm ED ø 21mm L 91mm		
For models:	F100, F120, F125C, F200, F80C, F80WC, SF300, SF500		

without thread



1

Part No.	695050	Ref. No.	25690803 25690806/0 CM25690806/0
description	hose connector straight plastic L 70mm ø 21mm		
For models:	F100C, F125C, F80C, F80WC, N200M, N200MW, N20L, N20WL, N25BI, N25L, N25LW, N25S, N25SW, N300M, N300MW, N35S, N35SW, N45L, N45S, N45SW, N500M, N55L, N55LW, N55S, N55SW, N70S, N70SW, N90L, N90LW, N90S, N90SW		

water dispersions



1

Part No.	694823	Ref. No.	25790075/0 81454208/0 CM25790075/0 CM81454208/0
description	hose T-piece L 580mm for ice maker		

miscellaneous



1

Part No.	520447	Ref. No.	73320400 CF73320400 CMCF73320400
description	double nipple thread 3/8" - 3/4" L1 24mm L2 12mm		
For models:	F100, F120, F200, SF300, SF500, SFN1000W		

floats

container lids




1


Part No.	695038	Ref. No.	CF66036300 CMCF66036300
description	lid L 150mm W 102mm for float container		
For models:	F100, F120, F125C, F200, F80C, F80WC, SF300, SF500, SFN1000, SFN1000W		





float containers


 <p>1</p>			
Part No.	695037	Ref. No.	29087022/0 79312601 CF79312601 CM29087022/0 CMCF79312601
description	float container for ice maker plastic		
For models:	F100, F120, F125C, F200, F80C, F80WC, SFN1000, SFN1000W		


miscellaneous


 <p>1</p>			
Part No.	691665	Ref. No.	25726470/0 25726473/0 CM25726470/0 CM25726473/0
description	bracket for evaporator flap		
For models:	N131M, N200M, N200MW, N201M, N300M, N300MW, N301M, N401M, N500M, N501M		

 <p>1</p>			
Part No.	694815	Ref. No.	25725607/0 CM25725607/0
description	bracket L 128mm W 90mm H 30mm plastic		


 <p>1</p>			
Part No.	694816	Ref. No.	25725606/0 CM25725606/0
description	bracket L 243mm W 149mm H 40mm plastic		


 <p>1</p>			
Part No.	696684	Ref. No.	25702875/0 CM25702875/0
description	bush ID \varnothing 4.4mm D1 \varnothing 28mm D2 \varnothing 12.75mm L1 25mm		

 <p>1</p>			
Part No.	695630	Ref. No.	CF06035900 CMCF06035900
description	coupling set \varnothing 37mm		
For models:	F100, F100C, F120, F125C, F200, F80C, F80WC		

 <p>1</p>			
Part No.	695660	Ref. No.	25300000/0 CM25300000/0
description	inlet spout for ice maker ICEMATIC		
For models:	N20L, N20WL, N25BI, N25L, N25LBI, N25LW, N25S, N25SW, N35BI, N35S, N35SW, N45L, N45S, N45SW, N50BI, N50BIW, N55L, N55LW, N55S, N55SW, N70S, N70SW, N90L, N90LW, N90S, N90SW		

 <p>1</p>			
Part No.	695744	Ref. No.	CF66013200 CMCF65088700 CMCF66013200
description	insulation L 150mm W 100mm H 140mm ID \varnothing 55mm		
For models:	F100, F120, F200		

 <p>1</p>			
Part No.	692612	Ref. No.	19690418/0 CM19690418/0
description	lid H 12mm ID \varnothing 38mm ED \varnothing 44mm		

 <p>1</p>			
Part No.	695046	Ref. No.	19305022/0 CF66053500 CM19305022/0 CMCF66053500
description	nut H 5mm thread M24x1.5 plastic		
For models:	F100, F120, F125C, F200, F80C, F80WC, N21S, SF300, SF500		



hinges

piano hinges

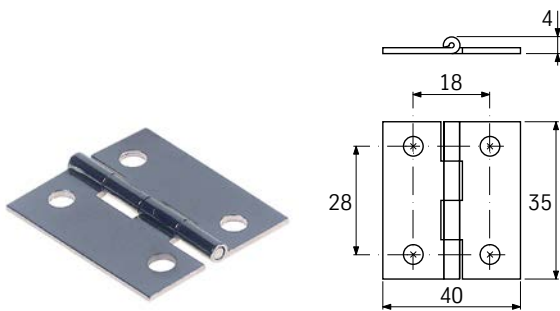
producer-specific

CASTEL



1

Part No.	701030	Ref. No.	19120045/0 CM19120045/0
description	hinge controllable L 43mm W 37mm hole \varnothing 4mm for ice container mounting distance 26/32mm plastic		



1

Part No.	691804	Ref. No.	19120050/0 CM19120050/0
description	hinge L 40mm W 35mm H 4mm mounting distance 28mm hole \varnothing 5mm thickness 1.3mm brass ICEMATIC		
For models:	F100C, F125C, F80C, F80WC, N20L, N20WL, N25BI, N25L, N25LBI, N25LW, N25S, N25SW, N35BI, N35S, N35SW, N45L, N45S, N45SW, N50BI, N50BIW, N55L, N55LW, N55S, N55SW, N70S, N70SW, N90L, N90LW, N90S, N90SW		

equipment feet and end caps

equipment feet

with screw mounting

universal



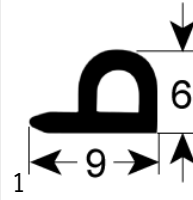
1

Part No.	701458	Ref. No.	25570707/0 CM25570707/0
description	equipment foot tube \varnothing 52mm thread M10 thread L 25mm H 104-115mm stainless steel size 2" Qty 1 pcs		

gaskets

refrigeration gaskets

miscellaneous



Part No.	902011	Ref. No.	19550123/0 CM19550123/0
description	gasket self-adhesive size 9x6		

plug-in gaskets

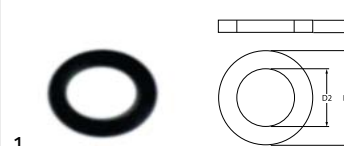
miscellaneous



Part No.	902010	Ref. No.	19550126/0 CM19550126/0
description	gasket plug-in gasket size 7x13		

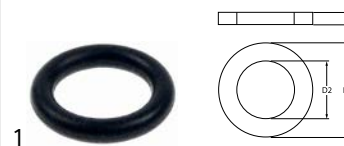
O-rings

EPDM



1

Part No.	528485	Ref. No.	CF64010000 CMCF64010000
description	O-ring EPDM thickness 1.78mm ID \varnothing 6.07mm Qty 1 pcs		
For models:	F100, F120, F125C, F200, F80C, F80WC, SF300, SF500, SFN1000, SFN1000W		

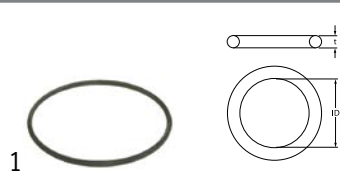


1

Part No.	361085	Ref. No.	41020448 41020448/0 CM41020448/0
description	O-ring EPDM thickness 2mm ID \varnothing 8mm Qty 1 pcs		
For models:	N200M, N200MW, N300M, N300MW, N500M		



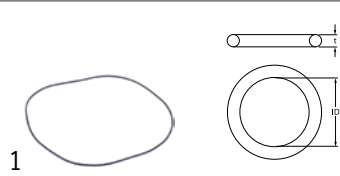
silicone



1

Part No.	695064	Ref. No.	29000022 CF64004120 CMCF64004120
description	O-ring silicone thickness 2mm ID ø 66.4mm Qty 1 pcs		


NBR



1


Part No.	697879	Ref. No.	1300061738 CM1300061738
description	O-ring NBR thickness 2.62mm ID ø 219mm Qty 1 pcs		
For models:	SF300, SF500		

shaft gaskets



1

Part No.	698239	Ref. No.	29040001 CF64008300 CMCF64008300
description	shaft seal ID ø 11.91mm ED ø 18.24mm thickness 5mm		
For models:	F100, F100C, F120, F125C, F80C, F80WC		




1

Part No.	511534	Ref. No.	64001901 CF02160700 CF64001901 CMCF02160700 CMCF64001901
description	shaft seal ID ø 22mm ED ø 32mm thickness 5.5mm		
For models:	F100, F100C, F120, F125C, F200, F80C, F80WC		

refrigeration cycle components

cooling water regulators

JOHNSON CONTROLS



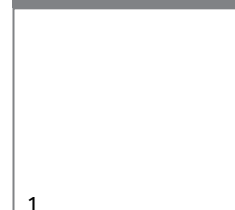
1

Part No.	541483	Ref. No.	19870815/0 29087021/0 CF62011100 CM19870815/0 CM29087021/0 CMCF62011100
description	cooling water regulator 3/8" type V46AA-9950 connection 6mm soldering connection pressure range 5-18bar water pressure max. 10bar water temperature max. 90°C capillary pipe 750mm L 160mm 0.9kg		
For models:	F100, F120, F200, N20L, N20WL, SF300, SF500, SFN1000W		

evaporators

for fridges

producer-specific



1

Part No.	750698	Ref. No.	19270072/0
description	evaporator		
For models:	T5		

transmission technology and ball bearings

ball bearings

ball bearings inch



1

Part No.	523001	Ref. No.	29015004/0 CF67001101 CM29015004/0 CMCF67001101
description	ball bearing type SR14-2RS shaft ø 7/8"mm ED ø 1 7/8"mm W 3/8"mm		
For models:	F100, F100C, F120, F125C, F200, F80C, F80WC		



miscellaneous



1			
Part No.	523514	Ref. No.	29015011 CF65105800 CMCF65105800
description	ball bearing type L/3350 shaft ø 25mm ED ø 52mm W 33mm stainless steel		
For models:	SF300, SF500, SFN1000, SFN1000W		

springs

torsion springs



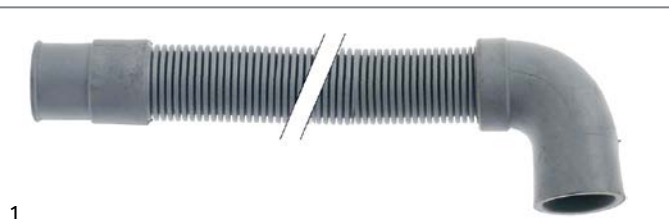
1			
Part No.	695021	Ref. No.	25474600/0 CM25474600/0
description	torsion spring ø 20.8mm L1 23.2mm L2 37mm wire gauge ø 2.3mm for ice maker		
For models:	N20L, N20WL, N25BI, N25L, N25LBI, N25LW, N25S, N25SW, N35BI, N35S, N35SW		



1			
Part No.	695022	Ref. No.	25474602/0 CM25474602/0
description	torsion spring ø 21.2mm L1 26mm L2 37mm wire gauge ø 2.6mm for ice maker		
For models:	N45L, N45S, N45SW, N50BI, N50BIW, N55L, N55LW, N55S, N55SW, N70S, N70SW, N90L, N90LW, N90S, N90SW		

hoses

drain hoses



1			
Part No.	530473	Ref. No.	19810114/0 CM19810114/0
description	drain hose DN19 L 1900mm straight ø inside 19mm straight ext. ø 25mm elbow ø inside 23mm elbow ext. ø 27mm outer hose ø 24mm for ice maker		
For models:	F100C, F125C, F80WC, N131M, N140, N200M, N200MW, N201M, N20L, N20WL, N25BI, N25SW, N300M, N300MW, N301M, N401M, N501M, N55L, N55LW, N55S, N55SW, N70S, N70SW, N90L, N90LW, N90S, N90SW		

fittings, hose and pipe connectors

fittings

double nipples



1			
Part No.	520447	Ref. No.	73320400 CF73320400 CMCF73320400
description	double nipple thread 3/8" - 3/4" L1 24mm L2 12mm		
For models:	F100, F120, F200, SF300, SF500, SFN1000W		

hose connectors

producer-specific



1			
Part No.	695050	Ref. No.	25690803 25690806/0 CM25690806/0
description	hose connector straight plastic L 70mm ø 21mm		
For models:	F100C, F125C, F80C, F80WC, N200M, N200MW, N20L, N20WL, N25BI, N25L, N25LW, N25S, N25SW, N300M, N300MW, N35S, N35SW, N45L, N45S, N45SW, N500M, N55L, N55LW, N55S, N55SW, N70S, N70SW, N90L, N90LW, N90S, N90SW		

GASTROPARTS.COM



© 2020 Gastroparts Sp. J. All rights reserved.