



GASTROPARTS

Yindu

- [EN]** Equipment
- [DE]** Geräte
- [ES]** Aparatos
- [FR]** Équipement
- [IT]** Attrezzature
- [PL]** Urządzenia
- [RU]** Оборудование

✉ gastroparts@gastroparts.com

☎ +48 56 657 00 66

📘 fb.com/gastroparts.global

GASTROPARTS.COM





heating elements

heating cables

miscellaneous



Part No.	417745	Ref. No.	W0310067
description	heating cable 600V L 1100mm silicone connection plug GFR2700		

foil heating elements



Part No.	419256	Ref. No.	W0310080
description	foil heating element L 520mm W 220mm 61W 220V cable length 400mm connection plug GFR2700		

switches and momentary switches

rocker/momentary rocker switches

30x22mm



Part No.	347791	Ref. No.	W0308019
description	rocker switch mounting measurements 30x22mm green 2NO 230V 20A illuminated 0-I connection male faston 6.3mm ambient temperature max. 125/55°C protection IP65 with rubber collar		

microswitches

with push button

switches with snap-fit




Part No.	348227	Ref. No.	W0308012
description	microswitch 250V 0.5A connection male faston 2.8mm for fridge GFR2700/GRE2700		

lamps

LED

LED bars




Part No.	357260	Ref. No.	W0304086 W0304511
description	LED bar L 130mm W 14mm H 8mm cable length 300mm GFR2700/GRE2700		
accessories for	357260		
	Part No.	692879	Ref. No. W0409863
	cover for lamp L 185mm W 55mm H 40mm for GFR2700/GRE2700		

lamp accessories

fascias



Part No.	692879	Ref. No.	W0409863
description	cover for lamp L 185mm W 55mm H 40mm for GFR2700/GRE2700		
accessories for	692879		
	Part No.	357260	Ref. No. W0304086 W0304511
	LED bar L 130mm W 14mm H 8mm cable length 300mm GFR2700/GRE2700		

transformers

power supplies



Part No.	403903	Ref. No.	W0399114
description	power supply primary 100-240VAC secondary 24VDC H 30mm L 85mm W 45mm 50/60Hz type JKY36-SP2400600		



Part No.	403902	Ref. No.	W0399115
description	power supply primary 100-240VAC secondary 24VDC H 34mm L 114mm W 45mm 50/60Hz type JKY36-SP2401500 GRE2700		



electronic controllers

DIXELL

refrigeration controllers

built-in version




1

Part No.	378665	Ref. No.	W0302160
description	electronic controller DIXELL XR03CX-5R0C1 mounting measurements 71x29mm built-in depth 50mm 230V voltage AC NTC relay outputs 2 NO-20A(8) CO-8A(3) NTC DI protection IP65 defrosting function/time control -55 up to +99°C display 2 digit		



1

Part No.	378363	Ref. No.	W0302159	
description	electronic controller DIXELL XR06CX-5R0C1 mounting measurements 71x29mm 230V voltage AC NTC relay outputs 3 NO-20A(8) CO-8A(3) NO-5A(2) NTC NTC DI protection IP54 -40 up to +110°C display 3½ digits			
accessories for	378363			
	Part No.	381249	Ref. No.	—
	temperature probe NTC 10kOhm cable PVC probe -40 up to +110°C cable -10 up to 100°C connection 2-wire thread probe ø6x14mm cable length 3m			

probes

producer-specific probes

probes



1

Part No.	403899	Ref. No.	W0302305
description	probe NTC 10kOhm cable PVC probe -40 up to +110°C cable -40 up to +110°C connection coded plug thread probe ø6x14mm cable length 600m GFR2700/GRE2700		



1

Part No.	403901	Ref. No.	W0302304
description	probe NTC 10kOhm cable PVC probe -40 up to +110°C cable -40 up to +110°C connection coded plug thread probe ø6x14mm cable length 800m GFR2700/GRE2700		

solenoid valves


solenoid valves (refrigeration)

SANHUA

valves



1

Part No.	374110	Ref. No.	W0205011	
description	solenoid valve type FDF2AT connection 6mm soldering connection L 143mm pipe connection ø 6mm 220-240V			
accessories for	374110			
	Part No.	696787	Ref. No.	W0208009
	T-piece copper ID ø 4.5mm ED ø 6mm refrigeration for GFR2700			

R290A

LBP monophase

Lower evaporation temperature below -20°C



1

Part No.	605258	Ref. No.	W0201133
description	compressor coolant R290 type EMTE2134U 220-240V 50Hz LBP 9kg 3/8HP cylinder capacity 9.5cm³ CSIR H 187mm 250W 278W 305W 330W 366W		



R600A

LBP monophase

Lower evaporation temperature below -20°C



1	Part No.	605281	Ref. No.	W0201151
description compressor coolant R600a type EMB40CLC 220-240V 50Hz LBP 8kg 1HP cylinder capacity 7.24cm³ H 160mm				

fans

refrigeration fans

refrigeration motors universal

IMPORT

multi fit fan motors

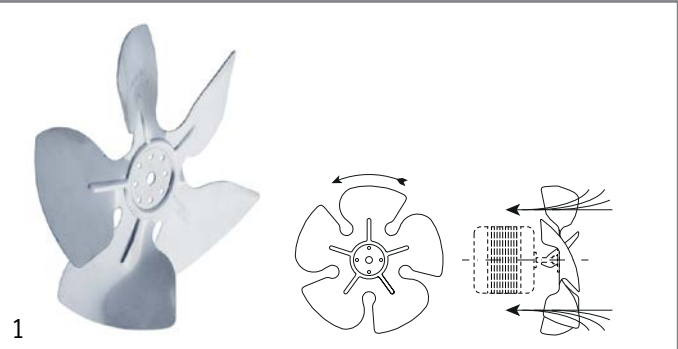


1	Part No.	601020	Ref. No.	W0301906 W0301911
description fan motor 5W 230V 50-60Hz L1 44mm L2 48mm L3 79mm W 84mm cable length 500mm 1300rpm YZF5-13-18/26 5 mounting options bearing slide bearing				

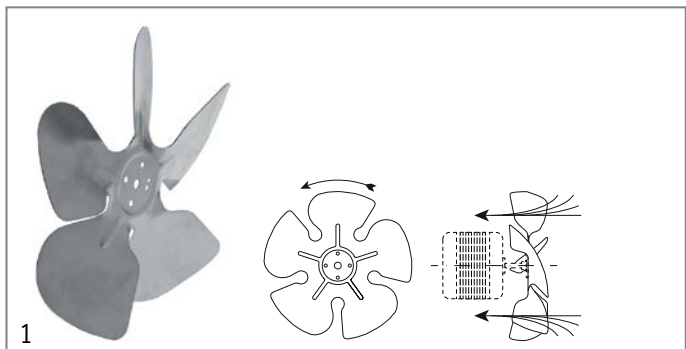
accessories

fan wheels

aluminium



1	Part No.	601553	Ref. No.	W0301078
description fan wheel sucking ø 172mm fan wheel mounting 25.4mm blade angle 28° W 35mm aluminium				



1	Part No.	601070	Ref. No.	W0301060
description fan wheel sucking ø 200mm fan wheel mounting 25.4mm blade angle 28° W 38mm aluminium				

cooling motors (complete)



1	Part No.	602174	Ref. No.	W0301913
description fan 220-240V 7W 50/60Hz fan wheel ø 170mm connection cable 350mm 1300rpm GFR2700/GRE2700				

accessories for	602174	Part No.	699579	Ref. No.	80021501
 bracket for fan for evaporator L 130mm W 80mm hole distance 63mm for GFR2700/GRE2700					



equipment-specific units


for fridges

drain systems

drain valves




1

Part No.	699499	Ref. No.	W0409858
description	drain fitting connection A L 47mm hose ø 15mm for GFR2700/GRE2700 plastic		
accessories for	699499		
	Part No.	699567	Ref. No. W0409859
	drain fitting connection B L 20mm for GFR2700/GRE2700 plastic		



1

Part No.	699567	Ref. No.	W0409859
description	drain fitting connection B L 20mm for GFR2700/GRE2700 plastic		
accessories for	699567		
	Part No.	699499	Ref. No. W0409858
	drain fitting connection A L 47mm hose ø 15mm for GFR2700/GRE2700 plastic		

drain pans



1

Part No.	530916	Ref. No.	80012001
description	drain pan L 520mm W 233mm H 30mm for GFR2700/GRE2700 hole ø 24mm		

spare parts and accessories



1

Part No.	699568	Ref. No.	W0604038
description	base plate for door hinge mounting pos. lower L 35mm W 25mm for GFR2700/GRE2700		





1

Part No.	699569	Ref. No.	W0604030
description	base plate for door hinge mounting pos. right L 74mm W 42mm for GFR2700/GRE2700		





1

Part No.	692867	Ref. No.	W04102051
description	cover ø 20mm L 400mm W 43mm plastic Qty 1 pcs for GFR2700/GRE2700		
accessories for	692867		
	Part No.	692870	Ref. No. W0413062
	rubber pad L 40mm W 17mm H 30mm for GFR2700/GRE2700		
	Part No.	696789	Ref. No. W0210413
	copper pipe with insulation pipe ø 6 for fridge GFR2700/GRE2700		





1



Part No.	692870	Ref. No.	W0413062
description	rubber pad L 40mm W 17mm H 30mm for GFR2700/GRE2700		
accessories for	692870		
	Part No.	692867	Ref. No. W04102051
	cover ø 20mm L 400mm W 43mm plastic Qty 1 pcs for GFR2700/GRE2700		
	Part No.	696789	Ref. No. W0210413
	copper pipe with insulation pipe ø 6 for fridge GFR2700/GRE2700		








housing and bezels




covers




 <p>1</p>							
Part No.	699586	Ref. No.	80010941 80011041				
description	bracket for air baffle L 800mm W 38mm H 20mm for GFR2700/ GRE2700 3 holes						
accessories for	699586						
 <table border="1"> <tr> <td>Part No.</td> <td>699573</td> <td>Ref. No.</td> <td>80010942 80011042</td> </tr> </table>				Part No.	699573	Ref. No.	80010942 80011042
Part No.	699573	Ref. No.	80010942 80011042				
deflector rear L 1030mm W 363mm H 20mm for GFR2700/GRE2700							



 <p>1</p>							
Part No.	699576	Ref. No.	81131203 8113120301				
description	cover for drain pan L 598mm W 218mm H 42mm for GFR2700/ GRE2700						
accessories for	699576						
 <table border="1"> <tr> <td>Part No.</td> <td>696783</td> <td>Ref. No.</td> <td>W0803011</td> </tr> </table>				Part No.	696783	Ref. No.	W0803011
Part No.	696783	Ref. No.	W0803011				
insulation Styropor for drain pan L 515mm W 213mm H 18mm Qty pcs for GFR2700/GRE2700							

 <p>1</p>							
Part No.	692879	Ref. No.	W0409863				
description	cover for lamp L 185mm W 55mm H 40mm for GFR2700/GRE2700						
accessories for	692879						
 <table border="1"> <tr> <td>Part No.</td> <td>357260</td> <td>Ref. No.</td> <td>W0304086 W0304511</td> </tr> </table>				Part No.	357260	Ref. No.	W0304086 W0304511
Part No.	357260	Ref. No.	W0304086 W0304511				
LED bar L 130mm W 14mm H 8mm cable length 300mm GFR2700/ GRE2700							

 <p>1</p>							
Part No.	699574	Ref. No.	81131204 8113120401				
description	cover front for evaporator L 598mm W 295mm H 65mm for GFR2700/ GRE2700						
accessories for	699574						
 <table border="1"> <tr> <td>Part No.</td> <td>699577</td> <td>Ref. No.</td> <td>80021203</td> </tr> </table>				Part No.	699577	Ref. No.	80021203
Part No.	699577	Ref. No.	80021203				
cover left for evaporator L 255mm W 155mm H 15mm for GFR2700/ GRE2700							
 <table border="1"> <tr> <td>Part No.</td> <td>699578</td> <td>Ref. No.</td> <td>80021204</td> </tr> </table>				Part No.	699578	Ref. No.	80021204
Part No.	699578	Ref. No.	80021204				
cover right for evaporator L 255mm W 155mm H 15mm for GFR2700/ GRE2700							

 <p>1</p>							
Part No.	699577	Ref. No.	80021203				
description	cover left for evaporator L 255mm W 155mm H 15mm for GFR2700/ GRE2700						
accessories for	699577						
 <table border="1"> <tr> <td>Part No.</td> <td>699574</td> <td>Ref. No.</td> <td>81131204 8113120401</td> </tr> </table>				Part No.	699574	Ref. No.	81131204 8113120401
Part No.	699574	Ref. No.	81131204 8113120401				
cover front for evaporator L 598mm W 295mm H 65mm for GFR2700/ GRE2700							
 <table border="1"> <tr> <td>Part No.</td> <td>699578</td> <td>Ref. No.</td> <td>80021204</td> </tr> </table>				Part No.	699578	Ref. No.	80021204
Part No.	699578	Ref. No.	80021204				
cover right for evaporator L 255mm W 155mm H 15mm for GFR2700/ GRE2700							

 <p>1</p>							
Part No.	699578	Ref. No.	80021204				
description	cover right for evaporator L 255mm W 155mm H 15mm for GFR2700/ GRE2700						
accessories for	699578						
 <table border="1"> <tr> <td>Part No.</td> <td>699574</td> <td>Ref. No.</td> <td>81131204 8113120401</td> </tr> </table>				Part No.	699574	Ref. No.	81131204 8113120401
Part No.	699574	Ref. No.	81131204 8113120401				
cover front for evaporator L 598mm W 295mm H 65mm for GFR2700/ GRE2700							
 <table border="1"> <tr> <td>Part No.</td> <td>699577</td> <td>Ref. No.</td> <td>80021203</td> </tr> </table>				Part No.	699577	Ref. No.	80021203
Part No.	699577	Ref. No.	80021203				
cover left for evaporator L 255mm W 155mm H 15mm for GFR2700/ GRE2700							

 <p>1</p>							
Part No.	699573	Ref. No.	80010942 80011042				
description	deflector rear L 1030mm W 363mm H 20mm for GFR2700/GRE2700						
accessories for	699573						
 <table border="1"> <tr> <td>Part No.</td> <td>699586</td> <td>Ref. No.</td> <td>80010941 80011041</td> </tr> </table>				Part No.	699586	Ref. No.	80010941 80011041
Part No.	699586	Ref. No.	80010941 80011041				
bracket for air baffle L 800mm W 38mm H 20mm for GFR2700/ GRE2700 3 holes							

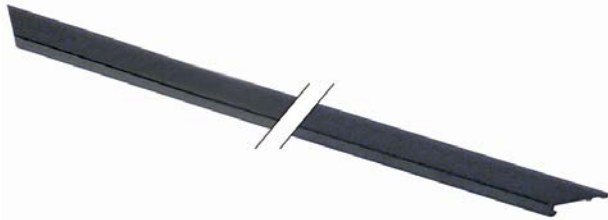
housings

 <p>1</p>			
Part No.	699575	Ref. No.	81131401 81131403 8113140302
description	front panel front-upper for fridge L 730mm W 300mm H 62mm for GFR2700/GRE2700		


1 mechanical components,
equipment accessories

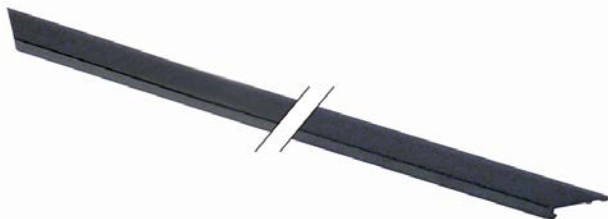


frame




1

Part No.	699583	Ref. No.	W04102045
description	frame rail for door mounting pos. left/right L 1530mm W 19mm H 7.5mm plastic for GFR2700/GRE2700		
accessories for	699583		
	Part No.	Ref. No.	W04102044
	frame rail for door mounting pos. upper/lower L 650mm W 19mm H 7.5mm plastic for GFR2700/GRE2700		



1

Part No.	699584	Ref. No.	W04102044
description	frame rail for door mounting pos. upper/lower L 650mm W 19mm H 7.5mm plastic for GFR2700/GRE2700		
accessories for	699584		
	Part No.	Ref. No.	W04102045
	frame rail for door mounting pos. left/right L 1530mm W 19mm H 7.5mm plastic for GFR2700/GRE2700		

doors

doors



1


Part No.	699571	Ref. No.	81130201 8113020101
description	door right suitable for GFR2700/GRE2700 W 730mm H 1610mm thickness 45mm stainless steel		
spare parts for	699571		
	Part No.	Ref. No.	W0604030
	base plate for door hinge mounting pos. right L 74mm W 42mm for GFR2700/GRE2700		
	Part No.	Ref. No.	W0409842
	bush upper for door hinge ID \varnothing 11mm ED \varnothing 13mm L 29.5mm for GFR2700/GRE2700		
	Part No.	Ref. No.	W0409843
	bush lower for door hinge ID \varnothing 11mm ED \varnothing 13mm L 26mm for GFR2700/GRE2700		
	Part No.	Ref. No.	W0404514
	refrigeration gasket profile 9750 W 660mm L 1537mm plug size		

miscellaneous




1

Part No.	692869	Ref. No.	81131801 W0409081
description	cover for drain pipe L 145mm W 49mm H 44mm plastic for GFR2700		



1

Part No.	696783	Ref. No.	W0803011
description	insulation Styropor for drain pan L 515mm W 213mm H 18mm Qty pcs for GFR2700/GRE2700		
accessories for	696783		
	Part No.	Ref. No.	81131203 8113120301
	cover for drain pan L 598mm W 218mm H 42mm for GFR2700/GRE2700		

locks

locking devices

producer-specific

WEIBO





1




Part No.	692878	Ref. No.	W0604007
description	key cylinder rotation 90° cam length 45mm cam width 14mm for GFR2700/GRE2700 with 2 keys		



hinges

door bearing


 <p>1</p>			
Part No.	699587	Ref. No.	W0604033
description	hinge L 87mm W 46mm mounting pos. upper right thickness 3.6mm bolt 46mm bolt ø 10.5mm for GFR2700/GRE2700		
accessories for	699587		
			
Part No.	699588	Ref. No.	W0604037
description	hinge L 88mm W 50mm mounting pos. bottom right thickness 3.6mm bolt 29mm bolt ø 11mm for GFR2700/GRE2700		

 <p>1</p>			
Part No.	699588	Ref. No.	W0604037
description	hinge L 88mm W 50mm mounting pos. bottom right thickness 3.6mm bolt 29mm bolt ø 11mm for GFR2700/GRE2700		
spare parts for	699588		
			
Part No.	699568	Ref. No.	W0604038
description	base plate for door hinge mounting pos. lower L 35mm W 25mm for GFR2700/GRE2700		
accessories for	699588		
			
Part No.	699587	Ref. No.	W0604033
description	hinge L 87mm W 46mm mounting pos. upper right thickness 3.6mm bolt 46mm bolt ø 10.5mm for GFR2700/GRE2700		


accessories


bushes

 <p>1</p>			
Part No.	701642	Ref. No.	W0409843
description	bush lower for door hinge ID ø 11mm ED ø 13mm L 26mm for GFR2700/GRE2700		

 <p>1</p>			
Part No.	701641	Ref. No.	W0409842
description	bush upper for door hinge ID ø 11mm ED ø 13mm L 29.5mm for GFR2700/GRE2700		

base plate


 <p>1</p>			
Part No.	699568	Ref. No.	W0604038
description	base plate for door hinge mounting pos. lower L 35mm W 25mm for GFR2700/GRE2700		

 <p>1</p>			
Part No.	699569	Ref. No.	W0604030
description	base plate for door hinge mounting pos. right L 74mm W 42mm for GFR2700/GRE2700		


equipment feet and end caps

equipment feet

with screw mounting

 <p>1</p>			
Part No.	701640	Ref. No.	W0409018
description	equipment foot tube ø 51mm plate size 70x70mm hole distance 50mm H 11,7-18mm Qty 1 pcs for GFR2700/GRE2700 adjustable		


with fixing plate


 <p>1</p>			
Part No.	701640	Ref. No.	W0409018
description	equipment foot tube ø 51mm plate size 70x70mm hole distance 50mm H 11,7-18mm Qty 1 pcs for GFR2700/GRE2700 adjustable		

shelves and shelf rails

grates


producer-specific

 <p>1</p>			
Part No.	970982	Ref. No.	W0402040
description	grate W 620mm D 530mm plastic-coated steel with hinge camp crossing wires 2 suitable for GRE2700		

1

Part No.	970980	Ref. No.	W0402366
description	grate W 630mm D 602mm plastic-coated steel crossing wires 2 suitable for GFR2700/GRE2700		




1


Part No.	970981	Ref. No.	W0402369
description	grate W 650mm D 530mm plastic-coated steel crossing wires 2 suitable for GFR2700		


shelf rails and supports

producer-specific





1

Part No.	701643	Ref. No.	80037407	
description	guide U-shape L 620mm W 15mm H 20mm mounting pos. left for GFR2700/GRE2700			
accessories for	701643			
	Part No.	701644	Ref. No.	80037408
	guide U-shape L 620mm W 15mm H 20mm mounting pos. right for GFR2700/GRE2700			





1

Part No.	701644	Ref. No.	80037408	
description	guide U-shape L 620mm W 15mm H 20mm mounting pos. right for GFR2700/GRE2700			
accessories for	701644			
	Part No.	701643	Ref. No.	80037407
	guide U-shape L 620mm W 15mm H 20mm mounting pos. left for GFR2700/GRE2700			



1

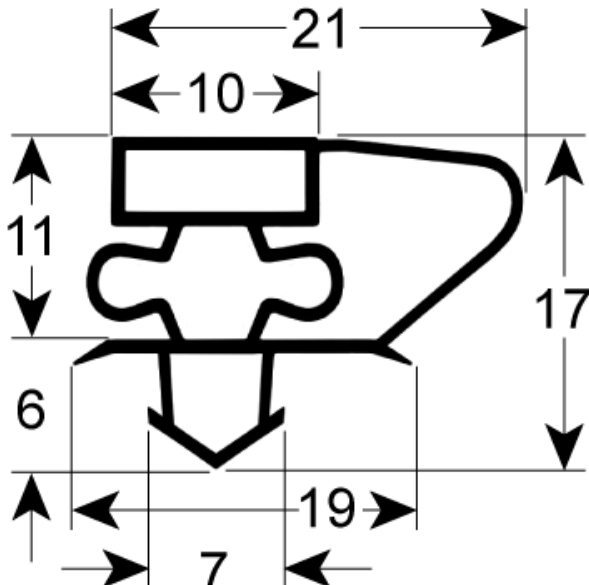
Part No.	699585	Ref. No.	80037402	
description	rack L 985mm W 57mm H 38mm mounting pos. left/right aperture 15x15mm hole distance 55mm 18 holes for GFR2700/GRE2700			
accessories for	699585			
	Part No.	701643	Ref. No.	80037407
	guide U-shape L 620mm W 15mm H 20mm mounting pos. left for GFR2700/GRE2700			
	Part No.	701644	Ref. No.	80037408
	guide U-shape L 620mm W 15mm H 20mm mounting pos. right for GFR2700/GRE2700			

gaskets

refrigeration gaskets

plug-in gaskets

profile 9750



1

Part No.	902514	Ref. No.	W0404514
description	refrigeration gasket profile 9750 W 660mm L 1537mm plug size		

refrigeration cycle components

filter driers

miscellaneous



1

Part No.	750748	Ref. No.	W0204101
description	dryer ø 19mm L 166mm connection 2,7/5,2 for GFR2700/GRE2700		



refrigeration pipes

copper pipes uninsulated

1

Part No.	692872	Ref. No.	W0210284
description	refrigeration pipe ID \varnothing 2/3mm ED \varnothing 5mm L 0.4m refrigeration GFR2700		

1

Part No.	692871	Ref. No.	W0210452
description	refrigeration pipe ID \varnothing 3/7mm ED \varnothing 6/8mm L 0.38m refrigeration GFR2700		

1

Part No.	692874	Ref. No.	W0210412
description	refrigeration pipe ID \varnothing 5.5mm ED \varnothing 6.5mm L 0.3m refrigeration GFR2700		

1

Part No.	692876	Ref. No.	W0210411
description	refrigeration pipe ID \varnothing 5mm ED \varnothing 6.5mm L 0.28m refrigeration GFR2700		

1

Part No.	692875	Ref. No.	W0210416
description	refrigeration pipe ID \varnothing 6,5/7,5mm ED \varnothing 7,5/8,5mm L 0.38m refrigeration GRE2700		

1

Part No.	692873	Ref. No.	W0210282	
description	refrigeration pipe ID \varnothing 6.5mm ED \varnothing 8mm L 0.36m refrigeration GFR2700			
accessories for	692873			
	Part No.	696787	Ref. No.	W0208009
		T-piece copper ID \varnothing 4.5mm ED \varnothing 6mm refrigeration for GFR2700		

1

Part No.	692877	Ref. No.	W0210417
description	refrigeration pipe ID \varnothing 6/7mm ED \varnothing 7/8mm L 0.41m refrigeration GRE2700		

copper pipes insulated

1

Part No.	696789	Ref. No.	W0210413	
description	copper pipe with insulation pipe \varnothing 6 for fridge GFR2700/GRE2700			
accessories for	696789			
	Part No.	692867	Ref. No.	W04102051
		cover \varnothing 20mm L 400mm W 43mm plastic Qty 1 pcs for GFR2700/GRE2700		
	Part No.	692870	Ref. No.	W0413062
		rubber pad L 40mm W 17mm H 30mm for GFR2700/GRE2700		



1

Part No.	699570	Ref. No.	W0210414
description	refrigeration pipe pipe ø 8 L 1700mm GFR2700		



1

Part No.	699572	Ref. No.	W0210418
description	refrigeration pipe pipe ø 8 L 1700mm GRE2700		

connections



1

Part No.	696787	Ref. No.	W0208009
description	T-piece copper ID ø 4.5mm ED ø 6mm refrigeration for GFR2700		

accessories for 696787



Part No.	374110	Ref. No.	W0205011
description	solenoid valve type FDF2AT connection 6mm soldering connection L 143mm pipe connection ø 6mm 220-240V		

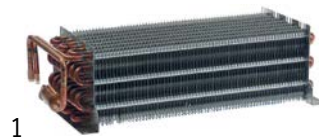


Part No.	692873	Ref. No.	W0210282
description	refrigeration pipe ID ø 6.5mm ED ø 8mm L 0.36m refrigeration GFR2700		




evaporators

for fridges

producer-specific






1

Part No.	750744	Ref. No.	W0202112 W0202112A
description	evaporator L 404mm W 175mm H 142mm GFR2700		
accessories for	750744		
	Part No.	699574	Ref. No. 81131204 8113120401
	cover front for evaporator L 598mm W 295mm H 65mm for GFR2700/ GRE2700		
	Part No.	699577	Ref. No. 80021203
	cover left for evaporator L 255mm W 155mm H 15mm for GFR2700/ GRE2700		
	Part No.	699578	Ref. No. 80021204
	cover right for evaporator L 255mm W 155mm H 15mm for GFR2700/ GRE2700		



1

Part No.	750743	Ref. No.	W0202117 W0202117A
description	evaporator W 150mm H 135mm L 300mm GRE2700		
accessories for	750743		
	Part No.	699574	Ref. No. 81131204 8113120401
	cover front for evaporator L 598mm W 295mm H 65mm for GFR2700/ GRE2700		
	Part No.	699577	Ref. No. 80021203
	cover left for evaporator L 255mm W 155mm H 15mm for GFR2700/ GRE2700		
	Part No.	699578	Ref. No. 80021204
	cover right for evaporator L 255mm W 155mm H 15mm for GFR2700/ GRE2700		

accessories

miscellaneous



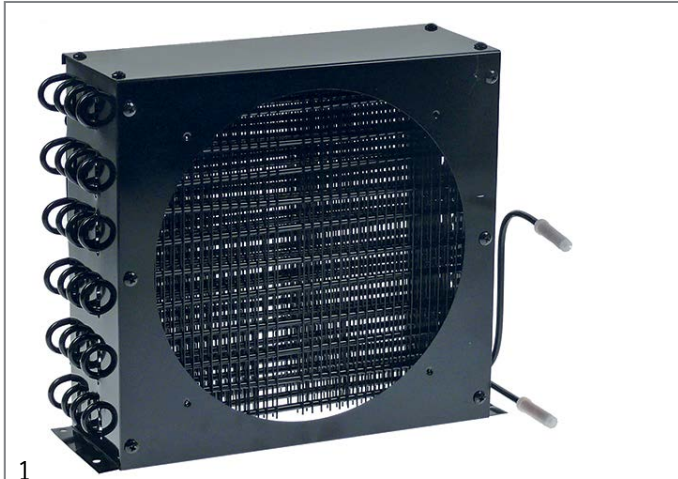
1

Part No.	692868	Ref. No.	W0409079
description	cover for evaporator plastic GFR2700/GRE2700		



condensers

condensers



1

Part No.	750746	Ref. No.	W0203051
description	condenser Capacitor W 250mm H 100mm L 260mm for GRE2700		



1


Part No.	750742	Ref. No.	W0203052
description	condenser Capacitor W 250mm H 140mm L 260mm GFR2700		

evaporation and condensing trays

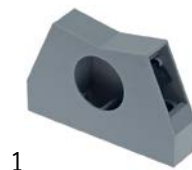
evaporation trays




1

Part No.	750745	Ref. No.	W0409071
description	evaporation tray rear L 527mm W 238mm for fridge for GFR2700/ GRE2700		
accessories for	750745		
	Part No.	750747	Ref. No. W0409078
	overflow plastic for GFR2700/GRE2700		

miscellaneous



1

Part No.	750747	Ref. No.	W0409078
description	overflow plastic for GFR2700/GRE2700		
accessories for	750747		
	Part No.	750745	Ref. No. W0409071
	evaporation tray rear L 527mm W 238mm for fridge for GFR2700/ GRE2700		

GASTROPARTS.COM

