



GASTROPARTS

Williams

- [EN]** Equipment
- [DE]** Geräte
- [ES]** Aparatos
- [FR]** Équipement
- [IT]** Attrezzature
- [PL]** Urządzenia
- [RU]** Оборудование

✉ gastroparts@gastroparts.com

☎ +48 56 657 00 66

📘 fb.com/gastroparts.global

GASTROPARTS.COM





heating elements

heating elements for refrigeration

heating elements for condensate evaporation



Part No.	420442	Ref. No.	HEATER310
description	heating element 500W 240V L 500mm W 35mm cable length 750mm connection distance 35mm tube ø 8.5mm		

thermostats

bi-metal thermostats

safety bi-metal thermostats



Part No.	390976	Ref. No.	STAT390
description	bi-metal safety thermostat hole distance 28.5mm 1-pole connection male faston 6.3mm vertical Qty 1 pcs		

probes

universal probes

temperature probes



Part No.	378454	Ref. No.	PROBE245
description	temperature probe NTC 2kOhm cable thermoplastic probe -40 up to +110°C cable -40 up to +110°C probe ø6x28mm cable length 2.5m 2-wire		



Part No.	379783	Ref. No.	PROBE150 PROBE151
description	temperature probe PTC 1kOhm cable PVC probe -40 up to +105°C cable -10 up to 100°C probe ø6x35mm cable length 2m without screw connection 2-wire resistor 1kOhm		

producer-specific probes

core probes



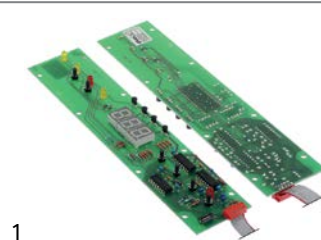
Part No.	381317	Ref. No.	PROBE140
description	core temperature probe PTC 20 Ohm cable silicone probe -40 up to +150°C cable -50 up to +180°C connection 2-wire probe ø5x65mm thread cable length 1m handle ø 25mm handle length 65mm for blast chiller		

electronics

PCBs



Part No.	361939	Ref. No.	THERM570
description	display PCB L 180mm W 45mm suitable for WILLIAMS with ribbon cable		




Part No.	361940	Ref. No.	THERM560
description	display PCB L 225mm W 50mm suitable for WILLIAMS		



Part No.	361937	Ref. No.	THERM490
description	motherboard blast freezer suitable for WILLIAMS 230V		



			
1			
Part No.	361938	Ref. No.	THERM811
description	relay PCB blast freezer L 100mm W 105mm suitable for WILLIAMS 230V		

compressors

L'UNITE HERMETIQUE / TECUMSEH


R134A

HMBP monophase

High/Medium evaporation temperature above -20/-15 °C

			
1			
Part No.	605173	Ref. No.	COMP1080
description	compressor coolant R134a type AE4430Y-FZ1A 220-240V 50Hz HMBP 9.7kg 1/4HP cylinder capacity 8cm ³ CSIR H 200mmWW 294W 382W 488W 613W 760W 930W 1127W		

			
1			
Part No.	605188	Ref. No.	COMP1090
description	compressor coolant R134a type AE4440Y-FZ 220-240V 50Hz HMBP 10kg 1/3HP cylinder capacity 10.33cm ³ CSIR H 200mmWWW 399W 508W 637W 790W 968W 1176W		

			
1			
Part No.	605098	Ref. No.	COMP330
description	compressor coolant R134a type AE4460Y-FZ 220-240V 50Hz HMBP fully hermetic 12.2kg 1/2HP cylinder capacity 15.09cm ³ CSIR H 211mmWWW 660W 838W 1040W 1280W 1540W 1840W test method EN 12900		

			
1			
Part No.	605172	Ref. No.	COMP340
description	compressor coolant R134a type CAJ4492Y-F 220-240V 50Hz HMBP 22kg 3/4HP cylinder capacity 25.95cm ³ CSIR H 271mmWW 584W 871W 1215W 1617W 2078WW		
spare parts for	605172		
	Part No.	Ref. No.	—
	terminal box for compressor		

R404A

LBP monophase

Lower evaporation temperature below -20°C

			
1			
Part No.	605157	Ref. No.	COMP460
description	compressor coolant R404A type CAJ2428Z 220-240V 50Hz LBP 21kg 5/8HP cylinder capacity 15.2cm ³ CSIR H 271mm 434W 589W 773W 991W 1246WWWWW		




1

Part No.	605134	Ref. No.	COMP470
description			



1

Part No.	605136	Ref. No.	COMP530
description	compressor coolant R404A type CAJ2464Z 220-240V 50Hz LBP fully hermetic 21.5kg 1.5HP cylinder capacity 34.5cm ³ CSR H 282mm 1108W 1579W 1850W 2317W 2855W test method EN 12900 820W		

HMBP monophase

High/Medium evaporation temperature above -20/-15 °C



1

Part No.	605015	Ref. No.	COMP435
description	compressor coolant R404A type CAE9470Z 220-240V 50Hz HMBP fully hermetic 13.7kg 1/2HP cylinder capacity 13.3cm ³ CSR H 207mmW 549W 711W 897W 1110W 1356W 1637W 1960W test method EN 12900 2327W		

fans

axial fans

import



1

Part No.	601080 ¹	Ref. No.	FAN095
description	axial fan L 119mm W 119mm H 38mm 230VAC 50/60Hz 23/20W bearing ball bearing connection male faston 2.8mm metal ADDA fan wheel ø 110mm temp.-resist. 70°C		
accessories for	601080		
	Part No.	550898	Ref. No. —
	connecting cable cable length 2000mm connection F 2.8 connection distance 7.9mm for axial flow fan		
	Part No.	692519	Ref. No. —
	guard L 120mm W 120mm plastic		


¹with ball bearings

refrigeration fans

refrigeration motors universal

ELCO

N series - standard




1

Part No.	602018	Ref. No.	MOTOR020
description	fan motor ELCO 10W 230V 50/60Hz L1 48mm L2 48mm L3 86mm cable length 500mm 1300/1550rpm 3 mounting options NET4T10ZVN009		




1

Part No.	602019	Ref. No.	MOTOR030
description	fan motor ELCO 16W 230V 50/60Hz L1 48mm L2 48mm L3 92mm cable length 500mm 1300/1550rpm 3 mounting options NET4T-16PVN005		
spare parts for	602019		
	Part No.	601413	Ref. No. —
	fixing plate suitable for fanwheel ED ø 32mm shaft ø 7 mounting distance 26mm		




1

Part No.	602020	Ref. No.	MOTOR040
description	fan motor ELCO 25W 230V 50/60Hz L1 53mm L2 53mm L3 112mm cable length 500mm 1300/1550rpm 3 mounting options NET4T-25PVN002		

accessories

fan wheels


aluminium



1

Part No.	601566	Ref. No.	BLADE150
description	fan wheel sucking ø 154mm fan wheel mounting 25.4mm blade angle 28° W 34mm aluminium		

aluminium




1

Part No.	601573	Ref. No.	BLADE070
description	fan wheel blowing ø 254mm fan wheel mounting 25.4mm blade angle 28° W 44mm aluminium		

cold air circulating fans (complete)

ebm-papst


A4E series



1

Part No.	602016	Ref. No.	MOTOR430
description	fan A4E300-AX06-05 fan wheel ø 300mm blades 5 230V 60/75W ø 95mm H 85mm 1350/1500rpm cable length 1000mm suitable capacitor 1.5µF		

S4E series



1

Part No.	602015	Ref. No.	MOTOR830
description	fan S4E330-AP18-30 fan wheel ø 330mm blades 5 230V 50/60Hz 110/140W mounting distance 400mm hole ø 8mm 1400/1620rpm cable length 300mm suitable capacitor 4µF		



ELCO



1

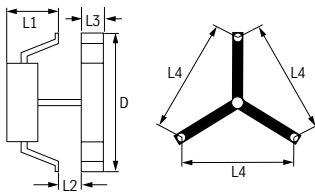
Part No.	602021	Ref. No.	MOTOR080
description	fan fan wheel ø 200mm 230V 50/60Hz hole ø 250mm 1300/1550rpm connection 3-wire cable length 500mm ELCO sucking		

hot air fans

ebm-papst



1



Part No.	602017	Ref. No.	FAN070
description	hot air fan 240V 30W L1 60mm L2 65mm L3 20mm L4 87mm fan wheel ø 150mm type R2K150-AC03-81 1850rpm		

condensators & interference suppression filters

operating capacitors

plastic



1

Part No.	365206	Ref. No.	CAPACITOR803
description	operating capacitor capacity 4µF 450V tolerance 5% 50/60Hz ambient temperature max. -25 to +85°C ø 30mm L 60mm M8 plastic		

equipment-specific units

for fridges

spare parts and accessories



1

Part No.	551287	Ref. No.	BUSH090
description	bush ø 9.2mm L 13mm ID ø 6.2mm suitable for WILLIAMS		

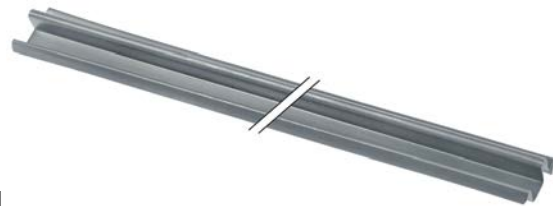
drawers

rails



1

Part No.	689004	Ref. No.	SLIDE120
description	rail for drawer L 290mm size 12x12mm right/left refrigerator		



1

Part No.	689003	Ref. No.	SLIDE070
description	rail for drawer L 470mm size 12x12mm right/left refrigerator		



1

Part No.	689002	Ref. No.	SLIDE060
description	rail for drawer L 583mm size 12x12mm refrigerator		



locks

locking devices

producer-specific

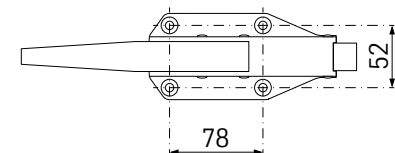
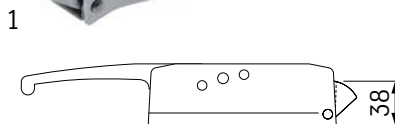
WILLIAMS



Part No.	692583	Ref. No.	LOCK020
description	key cylinder with solid handle \varnothing 20mm thread M18x1 shaft \varnothing 7.5mm thread L 18mm		

face mounted latches

KASON



Part No.	701440	Ref. No.	HANDLE070 HANDLE676
-----------------	--------	-----------------	------------------------

description catch L 261.9mm W 71.4mm H 51.2mm mounting distance 1 78X52mm hinging left/right lockable series 0058

accessories for 701440



Part No.	701496	Ref. No.	—
description	door catch L 75mm W 48mm H 51.5mm off-set -3.2 up to 6.4mm mounting distance 1 55.6mm mounting distance 2 28.6mm chrome-plated, polished series 0058		



Part No.	701497	Ref. No.	—
description	door catch L 75mm W 48mm H 80mm off-set 19 up to 38.1mm mounting distance 1 55.6mm mounting distance 2 28.6mm chrome-plated, polished series 0058		

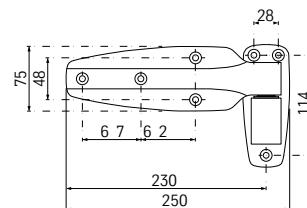


Part No.	701498	Ref. No.	—
description	door catch L 75mm W 48mm H 95.5mm off-set 44.5 up to 63.5mm mounting distance 1 55.6mm mounting distance 2 28.6mm chrome-plated, polished series 0058		

hinges

overlying hinges

miscellaneous

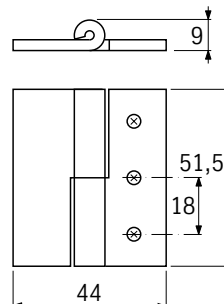


Part No.	701446	Ref. No.	HINGE260
description	hinge overall height 54mm with gradient total length 250mm W 75mm		

piano hinges

producer-specific

WILLIAMS



Part No.	692586	Ref. No.	HINGE250
description	hinge L 51.5mm W 44mm H 9mm mounting distance 1 18mm mounting distance 2 18mm hole \varnothing 4mm thickness 2mm SS		



spring assisted hinges

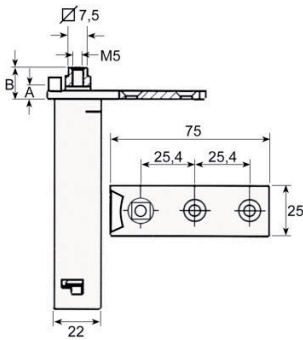
universal

CAFF/FERMOD

group 2



1



Part No.	690574	Ref. No.	HINGE290
description	spring assisted hinge series 176 mounting pos. left/right L 75mm W 25.6mm A 11mm B 15mm mounting measurements 22x22mm intake 7.5x7.5		

producer-specific

WILLIAMS



1

Part No.	692581	Ref. No.	HINGE790
description	spring assisted hinge right/left L 75mm W 23mm H 106mm A 4mm shaft length 92mm mounting distance 25mm chrome-plated steel		



1

Part No.	692584	Ref. No.	HINGE700
description	spring assisted hinge right/left L 75mm W 23mm H 106mm A 4mm shaft length 92mm mounting distance 25mm chrome-plated steel		

door bearing



1

Part No.	701445	Ref. No.	BIGHEAD010
description	hinge L 27mm W 15mm H 18mm mounting distance 30mm mounting pos. right/left with plunger		



1

Part No.	692585	Ref. No.	HINGE023
description	hinge bearing L 87mm W 19mm H 25mm mounting distance 30mm mounting pos. right/left with plunger refrigerator shaft ø 8mm Qty 1 pcs		

accessories

bushes



1

Part No.	694781	Ref. No.	PLUG055
description	bush ID ø 8.2mm ED ø 11mm L 13mm		

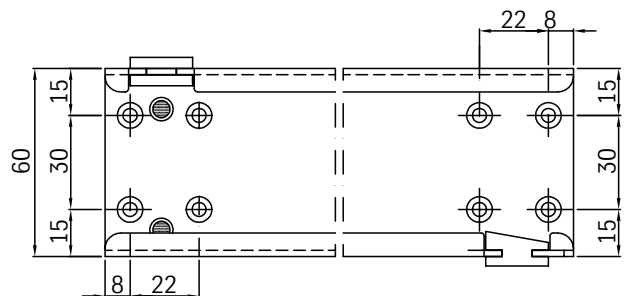
pullouts

drawer slides

universal



1




Part No.	690753 ¹	Ref. No.	N/A
description	telescopic slide pair L 550mm pull-out length 610mm total length 1160mm Qty 1 pair capacity 50kg H 60mm SS telescopic		

spare parts for 690753

	Part No.	690750	Ref. No.	—
		stop for telescopic rail L 20mm plastic H 12mm D 9mm		

¹multiple slide (60mm more than nominal length)
Table continues overleaf





spare parts for	690753		
	Part No.	696333	Ref. No.
	stop for telescopic rail L 20mm plastic H 15mm D 8mm		

rollers

roller with holder

	1		
Part No.	701444	Ref. No.	CASTOR155
description	roller roller \varnothing 22mm B1 38mm SS/plastic mounting pos. lower/upper bearing Qty 1 pcs L 60mm mounting distance 24/42mm A 60mm overall width 45mm		

	1		
Part No.	701442 ¹	Ref. No.	CASTOR040
description	swivel castor with swivel brake \varnothing 100mm plate fixing housing chrome-plated steel plate size 105x85mm hole distance 70x70mm capacity 80kg bearing slide bearing wheel body polypropylene tread TPE tyres H 125mm wheel width 32mm -20 up to +60°C Qty 1 pcs		
accessories for	701442		
	Part No.	701441	Ref. No.
	swivel castor \varnothing 100mm plate fixing housing chrome-plated steel plate size 105x85mm hole distance 70x70mm capacity 80kg bearing slide bearing wheel body polypropylene tread TPE tyres H 125mm wheel width 32mm -20 up to +60°C Qty 1 pcs		


¹with swivel brake


shelves and shelf rails

grates

universal


without upstand

	1		
Part No.	970726	Ref. No.	SHELF010
description	grate W 325mm D 530mm H 10mm plastic-coated steel wire gauge frame 6.6mm lengthwise wires gauge 4.6mm crossing wires 1 grey suitable for SL-D		

	1		
Part No.	970875	Ref. No.	SHELF495
description	grate W 525mm D 470mm plastic-coated steel crossing wires 1 white		


shelf rails and supports

producer-specific

	1		
Part No.	701448	Ref. No.	PILASTER010 PILASTER030
description	rack L 1220mm W 20mm hole distance 13mm Qty 1 pcs aperture 3x6mm		

equipment feet and end caps



screw-in feet

	1		
Part No.	701443	Ref. No.	FEET020
description	equipment foot thread M8 thread L 37mm \varnothing 38mm H 16mm Qty 1 pcs L 53mm suitable for WILLIAMS		

miscellaneous

with fixing plate

\varnothing 100mm

	1		
Part No.	701441	Ref. No.	CASTOR030
description	swivel castor \varnothing 100mm plate fixing housing chrome-plated steel plate size 105x85mm hole distance 70x70mm capacity 80kg bearing slide bearing wheel body polypropylene tread TPE tyres H 125mm wheel width 32mm -20 up to +60°C Qty 1 pcs		
accessories for	701441		
	Part No.	701442	Ref. No.
	swivel castor with swivel brake \varnothing 100mm plate fixing housing chrome-plated steel plate size 105x85mm hole distance 70x70mm capacity 80kg bearing slide bearing wheel body polypropylene tread TPE tyres H 125mm wheel width 32mm -20 up to +60°C Qty 1 pcs		



Part No.	701447	Ref. No.	PILASTER110
description	rack L 380mm W 20mm hole distance 13mm Qty 1 pcs aperture 3x6mm		

Part No.	690969	Ref. No.	PILASTER020
description	shelf support L 33/28mm W 22mm H 18mm		

gaskets

refrigeration gaskets

plug-in gaskets

profile 9153

We offer custom-made gaskets for this profile

Part No.	901937	Ref. No.	GASKET945
description	refrigeration gasket profile 9153 W 430mm L 800mm plug size		

Part No.	902266	Ref. No.	N/A
description	refrigeration gasket profile 9153 Wmm L 2500mm		

profile 9195

We offer custom-made gaskets for this profile

Part No.	901924	Ref. No.	GASKET1230
description	refrigeration gasket profile 9195 W 154mm L 615mm plug size		

Part No.	901923	Ref. No.	GASKET220
description	refrigeration gasket profile 9195 W 170mm L 415mm plug size		

Part No.	901926	Ref. No.	GASKET260
description	refrigeration gasket profile 9195 W 170mm L 615mm plug size		

Part No.	901929	Ref. No.	GASKET210
description	refrigeration gasket profile 9195 W 285mm L 415mm plug size		

Part No.	901930	Ref. No.	GASKET800
description	refrigeration gasket profile 9195 W 380mm L 515mm plug size		

Part No.	901922	Ref. No.	GASKET1210
description	refrigeration gasket profile 9195 W 390mm L 475mm plug size		



Part No.	901928	Ref. No.	GASKET180
description	refrigeration gasket profile 9195 W 415mm L 620mm plug size		

Part No.	901935	Ref. No.	GASKET1440
description	refrigeration gasket profile 9195 W 610mm L 1620mm plug size		

Part No.	901927	Ref. No.	GASKET200
description	refrigeration gasket profile 9195 W 415mm L 655mm plug size		

Part No.	901934	Ref. No.	GASKET110
description	refrigeration gasket profile 9195 W 615mm L 1415mm plug size		

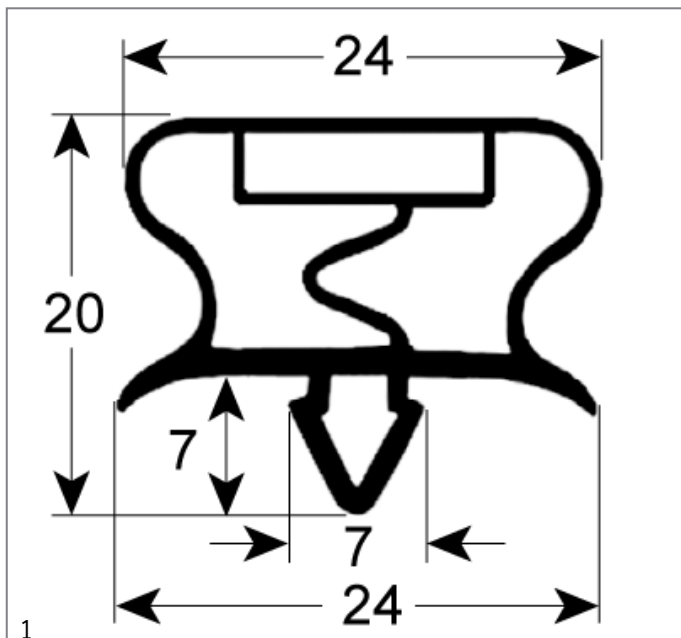
Part No.	902047	Ref. No.	GASKET1100
description	refrigeration gasket profile 9195 W 420mm L 635mm plug size		

Part No.	901936	Ref. No.	GASKET440
description	refrigeration gasket profile 9195 W 615mm L 1475mm plug size		

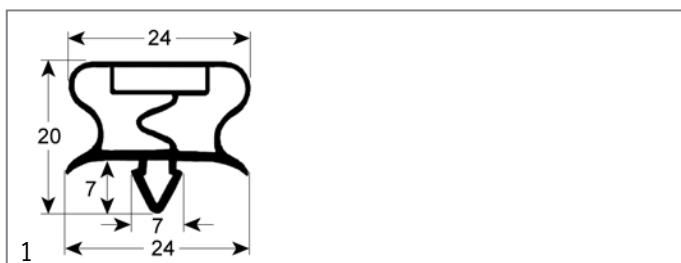
Part No.	901925	Ref. No.	GASKET810
description	refrigeration gasket profile 9195 W 480mm L 600mm plug size		

Part No.	901933	Ref. No.	GASKET1040
description	refrigeration gasket profile 9195 W 625mm L 1435mm plug size		

Part No.	901932	Ref. No.	GASKET1430
description	refrigeration gasket profile 9195 W 565mm L 630mm plug size		



Part No.	902486	Ref. No.	GASKET750
description	refrigeration gasket profile 9195 W 630mm L 1270mm plug size		



Part No.	901931	Ref. No.	GASKET1080
description	refrigeration gasket profile 9195 W 630mm L 1285mm plug size		

refrigeration cycle components

filter driers

miscellaneous



Part No.	750510	Ref. No.	DRIER110
description	dryer size 15g ø 19mm L 117mm connection 7,4/8,4mm Qty 1 pcs		

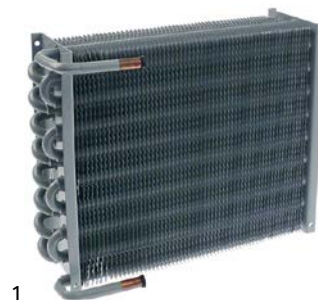


Part No.	750511	Ref. No.	DRIER050
description	dryer ø 24mm L 230mm connection 5.1/8mm		

evaporators

for fridges

producer-specific



Part No.	750507	Ref. No.	EVAP110
description	evaporator L 275mm W 68mm H 225mm total length 300mm overall width 82mm overall height 230mm suitable for WILLIAMS		



Part No.	750509	Ref. No.	EVAP070
description	evaporator L 500mm W 125mm H 65mm total length 532mm overall width 130mm overall height 72mm suitable for WILLIAMS		



Part No.	750508	Ref. No.	EVAP510
description	evaporator L 553mm W 125mm H 85mm total length 585mm overall width 132mm overall height 95mm suitable for WILLIAMS		

fastening material

screws

countersunk screws



Part No.	560220	Ref. No.	SCREW200
description	countersunk screw thread M6 L 20mm SS DIN 963/ISO 2009 Qty 20 pcs intake slotted head ø 11mm		



consumables

sealants and adhesives

adhesive tapes



1

Part No.	692580	Ref. No.	TAPE050
description	adhesive tape aluminium L 45m W 50mm		
description	<p>Aluminium shielding tape: 50mm wide, 45m long 40µm aluminium foil, coated with electrically conductive adhesive. The tape has a siliconised paper backing.</p> <ul style="list-style-type: none"> - Conductive acrylic adhesive - Good shielding properties and z-axis conductivity - Good resistance to high and low temperatures (-20°C to +155°C) - Good resistance to chemical materials, heat, acids and alkali salts - Easy to roll out 		

GASTROPARTS.COM

