



GASTROPARTS

Valentine

- [EN]** Equipment
- [DE]** Geräte
- [ES]** Aparatos
- [FR]** Équipement
- [IT]** Attrezzature
- [PL]** Urządzenia
- [RU]** Оборудование

✉ gastroparts@gastroparts.com

☎ +48 56 657 00 66

📘 fb.com/gastroparts.global

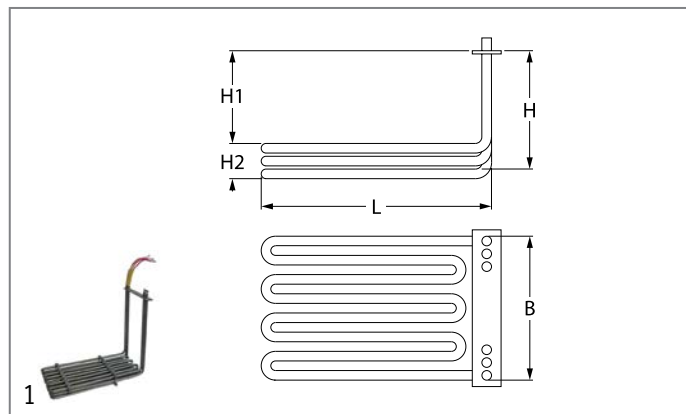
GASTROPARTS.COM



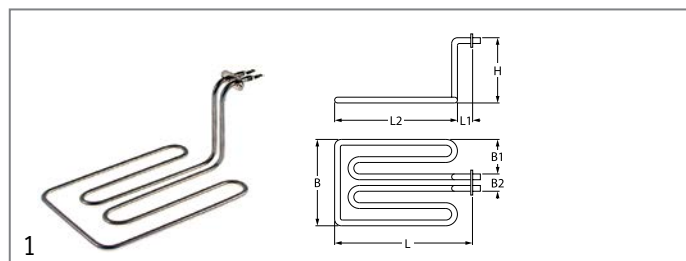


heating elements

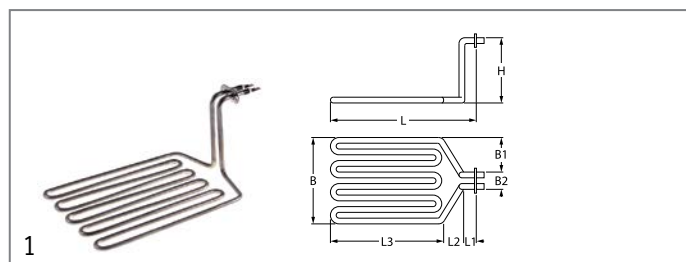
heating elements for fryers



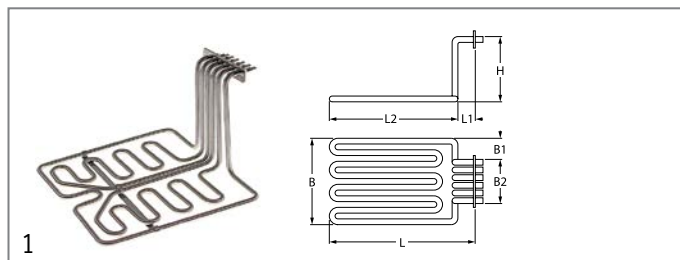
| | | | |
|--------------------|--|-----------------|-----|
| Part No. | 415357 | Ref. No. | N/A |
| description | heating element 8000W 400V heating circuits 3 L 335mm W 150mm H 270mm rectangular flange connection cable fryer heaters H1 233mm H2 37mm hole distance 30mm hole ø 5mm flange length 165mm flange width 20mm cable length 150mm tube ø 8.5mm | | |



| | | | |
|--------------------|---|-----------------|---------|
| Part No. | 418350 | Ref. No. | 9021-61 |
| description | heating element 2300W 230V heating circuits 1 L 293mm W 195mm H 136mm L1 23mm L2 270mm W1 84mm W2 27mm flange length 50mm flange width 22mm hole distance 40mm windings 2 tube ø 8mm connection length 50mm connection male faston 6.3mm hole ø 4.5mm rectangular flange immersion heater | | |

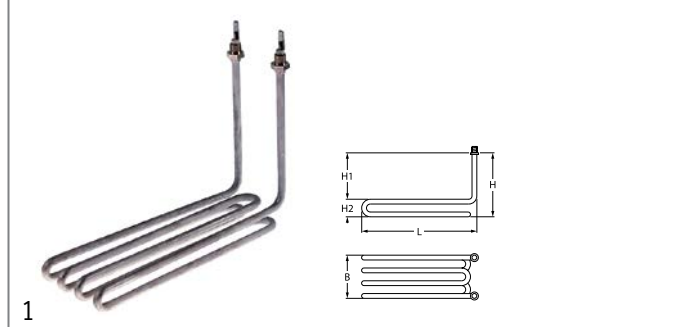


| | | | |
|--------------------|---|-----------------|---------|
| Part No. | 418351 | Ref. No. | 9022-61 |
| description | heating element 3000W 230V heating circuits 1 L 293mm W 200mm H 135mm rectangular flange connection male faston 6.3mm immersion heater L1 23mm L2 30mm L3 240mm W1 86mm W2 28mm hole distance 40mm windings 5 hole ø 4.5mm flange length 50mm flange width 22mm tube ø 8mm connection length 50mm | | |





| | | | |
|--------------------|--|-----------------|---------|
| Part No. | 418352 | Ref. No. | 9024-54 |
| description | heating element 6400W 230/400V heating circuits 3 L 285mm W 278mm H 170mm L1 20mm L2 265mm W1 92mm W2 94mm flange length 115mm flange width 22mm tube ø 8mm hole distance 103mm hole ø 5mm connection male faston 6.3mm connection length 35mm rectangular flange immersion heater fryer | | |


2 hole fixing



| | | | |
|--------------------|--|-----------------|-----------------|
| Part No. | 418357 | Ref. No. | 5185 5185-01 |
| description | heating element 2333W 230V heating circuits 1 L 268mm W 94mm H 190mm H1 162mm H2 28mm thread M12x1 tube ø 8mm windings 4 2 hole fixing connection male faston 6.3mm mounting distance 70mm immersion heater connection length 24mm | | |

| | | | |
|---|---|--------|-------------------|
| spare parts for | 418357 | | |
|  | Part No. | 510417 | Ref. No. — |
| | flat gasket fibre ED ø 20mm ID ø 14mm thickness 2mm Qty 1 pcs | | |

| | | | |
|---|---|--------|-------------------|
| accessories for | 418357 | | |
|  | Part No. | 361182 | Ref. No. — |
| | nut thread 1/4" H 5mm nickel-plated brass WS 17 Qty 1 pcs | | |

| | | | |
|---|--|--------|-------------------|
|  | Part No. | 520228 | Ref. No. — |
| | tooth lock washer ID ø 15.3mm ED ø 24mm steel Qty 1 pcs for thread M14 | | |

| | | | |
|---|--|--------|-------------------|
|  | Part No. | 550262 | Ref. No. — |
| | flat gasket copper ED ø 20mm ID ø 14mm thickness 2mm | | |



| | | | |
|------------------------|--|-----------------|-------------------|
| | | | |
| 1 | | | |
| Part No. | 418356 | Ref. No. | 5184 5184-01 |
| description | heating element 2500W 400V heating circuits 1 L 268mm W 84mm H 190mm H1 161mm H2 29mm thread M12x1 tube \varnothing 8.5mm windings 4 2 hole fixing connection male faston 6.3mm mounting distance 65mm immersion heater connection length 24mm | | |
| spare parts for | 418356 | | |
| | Part No. | 510417 | Ref. No. — |
| | flat gasket fibre ED \varnothing 20mm ID \varnothing 14mm thickness 2mm Qty 1 pcs | | |
| accessories for | 418356 | | |
| | Part No. | 361182 | Ref. No. — |
| | nut thread 1/4" H 5mm nickel-plated brass WS 17 Qty 1 pcs | | |
| | Part No. | 520228 | Ref. No. — |
| | tooth lock washer ID \varnothing 15.3mm ED \varnothing 24mm steel Qty 1 pcs for thread M14 | | |
| | Part No. | 550262 | Ref. No. — |
| | flat gasket copper ED \varnothing 20mm ID \varnothing 14mm thickness 2mm | | |

| | | | |
|------------------------|--|-----------------|-------------------|
| | | | |
| 1 | | | |
| Part No. | 418354 | Ref. No. | 5181 5181-01 |
| description | heating element 3600W 230V heating circuits 1 L 268mm W 138mm H 190mm H1 162mm H2 28mm thread M12x1 tube \varnothing 8mm windings 6 2 hole fixing connection male faston 6.3mm mounting distance 122mm immersion heater connection length 25mm | | |
| spare parts for | 418354 | | |
| | Part No. | 510417 | Ref. No. — |
| | flat gasket fibre ED \varnothing 20mm ID \varnothing 14mm thickness 2mm Qty 1 pcs | | |
| accessories for | 418354 | | |
| | Part No. | 520228 | Ref. No. — |
| | tooth lock washer ID \varnothing 15.3mm ED \varnothing 24mm steel Qty 1 pcs for thread M14 | | |
| | Part No. | 550262 | Ref. No. — |
| | flat gasket copper ED \varnothing 20mm ID \varnothing 14mm thickness 2mm | | |

| | | | |
|------------------------|--|-----------------|-------------------|
| | | | |
| 1 | | | |
| Part No. | 418355 | Ref. No. | 5182 5182-01 |
| description | heating element 3600W 400V heating circuits 1 L 268mm W 145mm H 190mm H1 160mm H2 30mm thread M12x1 tube \varnothing 8.5mm windings 6 2 hole fixing connection male faston 6.3mm mounting distance 135mm immersion heater connection length 23mm | | |
| accessories for | 418355 | | |
| | Part No. | 361182 | Ref. No. — |
| | nut thread 1/4" H 5mm nickel-plated brass WS 17 Qty 1 pcs | | |
| | Part No. | 510417 | Ref. No. — |
| | flat gasket fibre ED \varnothing 20mm ID \varnothing 14mm thickness 2mm Qty 1 pcs | | |
| | Part No. | 520228 | Ref. No. — |
| | tooth lock washer ID \varnothing 15.3mm ED \varnothing 24mm steel Qty 1 pcs for thread M14 | | |
| | Part No. | 550262 | Ref. No. — |
| | flat gasket copper ED \varnothing 20mm ID \varnothing 14mm thickness 2mm | | |

| | | | |
|--------------------|-----------------------------|-----------------|---------|
| | | | |
| 1 | | | |
| Part No. | 418363 | Ref. No. | 1934-03 |
| description | heating element 11000W 400V | | |

| | | | |
|--------------------|---|-----------------|------------|
| | | | |
| 1 | | | |
| Part No. | 419249 | Ref. No. | B0030-02SA |
| description | heating element 7200W 440V heating circuits 3 L 285mm W 150mm H 283mm H1 244mm H2 39mm tube \varnothing 8.3mm | | |



1

| | | | |
|------------------------|--|-----------------|----------------------------------|
| Part No. | 418343 | Ref. No. | 1934-03 1937-03 |
| description | heating element 8000W 400V heating circuits 3 L 332mm W 150mm H 274mm H1 244mm H2 30mm cable length 530mm special fixing connection cable immersion heater | | |
| spare parts for | 418343 | | |
| | Part No. | 390113 | Ref. No. 0705-02 70502 |
| | safety thermostat switch-off temp. 240°C 3-pole 3NC 20A probe ø 4mm probe L 157mm capillary pipe 890mm capillary pipe isolated 350mm gland nut probe SS | | |
| | Part No. | 415357 | Ref. No. N/A |
| | heating element 8000W 400V heating circuits 3 L 335mm W 150mm H 270mm rectangular flange connection cable fryer heaters H1 233mm H2 37mm hole distance 30mm hole ø 5mm flange length 165mm flange width 20mm cable length 150mm tube ø 8.5mm | | |

1

| | | | |
|--------------------|--|-----------------|---------------------|
| Part No. | 418358 | Ref. No. | 6291-1SA 6291-SA |
| description | heating element 7200W 400V heating circuits 3 L 285mm W 150mm H 255mm H1 225mm H2 30mm cable length 110mm special fixing tube ø 8mm immersion heater W1 40mm W2 70mm | | |

1

| | | | |
|--------------------|--|-----------------|-----|
| Part No. | 415357 | Ref. No. | N/A |
| description | heating element 8000W 400V heating circuits 3 L 335mm W 150mm H 270mm rectangular flange connection cable fryer heaters H1 233mm H2 37mm hole distance 30mm hole ø 5mm flange length 165mm flange width 20mm cable length 150mm tube ø 8.5mm | | |

1

| | | | |
|------------------------|---|-----------------|----------------------------------|
| Part No. | 418353 | Ref. No. | 3101-02 |
| description | heating element 7000W 400V heating circuits 3 L 395mm W 157mm H 268mm L1 80mm L2 315mm H1 30mm H2 238mm H3 44mm special fixing tube ø 8.5mm immersion heater | | |
| spare parts for | 418353 | | |
| | Part No. | 300092 | Ref. No. 3278 |
| | microswitch with plunger 400V 16A 2NO connection male faston 6.3mm ambient temperature max. 85°C mounting distance 22mm type XTD22A21 actuating force: 150g fryer black | | |
| | Part No. | 390113 | Ref. No. 0705-02 70502 |
| | safety thermostat switch-off temp. 240°C 3-pole 3NC 20A probe ø 4mm probe L 157mm capillary pipe 890mm capillary pipe isolated 350mm gland nut probe SS | | |

accessories

washers

1

| | | | |
|--------------------|--|-----------------|-----------------|
| Part No. | 560112 | Ref. No. | 4105 4815-05 |
| description | plain washer ID ø 5.3mm ED ø 10mm thickness 1mm SS Qty 20 pcs DIN 125A for thread M5 | | |

1

| | | | |
|--------------------|---|-----------------|---------------------|
| Part No. | 418340 | Ref. No. | 6302-3SA 6302-SA |
| description | heating element 11000W 400V heating circuits 3 L 285mm W 150mm H 255mm H1 225mm H2 30mm special fixing connection cable tube ø 8.5mm immersion heater fryer W1 40mm W2 70mm | | |

1

| | | | |
|--------------------|--------------------------|-----------------|------|
| Part No. | 693500 | Ref. No. | 6120 |
| description | hook for heating element | | |



thermostats

control and safety thermostats

EGO

control thermostats

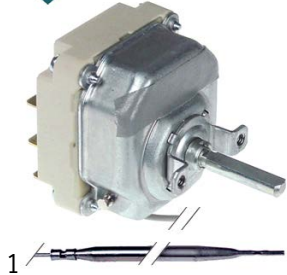
55.18_ series



1

| | | | |
|--------------------|---|-----------------|----|
| Part No. | 375989 | Ref. No. | TT |
| description | thermostat t.max. 190°C temperature range 130-190°C 1-pole 1NO 16A probe ø 6mm probe L 118mm capillary pipe 890mm gland nut shaft ø 6x4.6mm shaft L 23mm shaft position upper rotation 270° | | |

55.34_ series



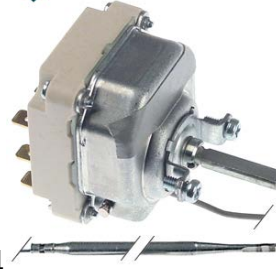
1

| | | | |
|--------------------|---|-----------------|---------|
| Part No. | 375771 | Ref. No. | 6310-SA |
| description | thermostat t.max. 190°C temperature range 106-190°C 3-pole 1CO/2NO 16A probe ø 4mm probe L 157mm capillary pipe 1780mm capillary pipe isolated 1500mm gland nut shaft ø 6x4.6mm shaft L 23mm shaft position upper rotation 270° | | |



1

| | | | |
|--------------------|---|-----------------|--|
| Part No. | 375766 | Ref. No. | 320101 3201-02 3201-04 3201-2 5162 |
| description | thermostat t.max. 190°C temperature range 120-190°C 3-pole 1CO/2NO 16A probe ø 6mm probe L 133mm capillary pipe 880mm capillary pipe isolated 350mm gland nut shaft ø 6x4.6mm shaft L 23mm shaft position upper rotation 270° | | |




1

| | | | |
|--------------------|---|-----------------|-----------------|
| Part No. | 375763 | Ref. No. | 6311 6311-SA |
| description | thermostat t.max. 206°C temperature range 120-206°C 3-pole 1CO/2NO 16A probe ø 4mm probe L 157mm capillary pipe 1780mm capillary pipe isolated 1500mm gland nut shaft ø 6x4.6mm shaft L 23mm shaft position upper rotation 270° | | |

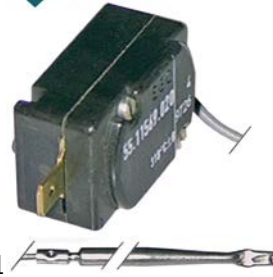


1

| | | | |
|---|--|-----------------|------------------------------------|
| Part No. | 391050 | Ref. No. | B0040-11 B0040-11SA B0040-13 |
| description | thermostat t.max. 206°C temperature range 95-190°C 3-pole 1CO/2NO 16A probe ø 4mm probe L 157mm capillary pipe 1780mm capillary pipe isolated 1500mm gland nut shaft ø 6x4.6mm shaft L 23mm shaft position upper rotation 285° with knob | | |
| spare parts for | 391050 | | |
|  | Part No. | 112855 | Ref. No. B0090-02 |
| | knob t.max. 190°C temperature range 95-190°C ø 50mm shaft ø 6x4.6mm shaft flat left rotation 285° black | | |

safety thermostats

55.11_ series

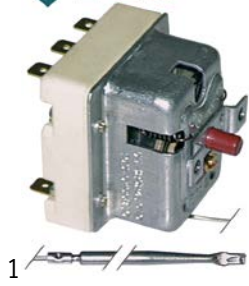


1

| | | | |
|--------------------|--|-----------------|---------|
| Part No. | 375109 | Ref. No. | 9021-53 |
| description | safety thermostat switch-off temp. 240°C 1-pole 16A probe ø 4mm probe L 91mm capillary pipe 530mm capillary pipe isolated 350mm gland nut probe SS | | |



55.32_ series



| | | | |
|--------------------|---|-----------------|------------------|
| Part No. | 390113 | Ref. No. | 0705-02 70502 |
| description | safety thermostat switch-off temp. 240°C 3-pole 3NC 20A probe ø 4mm probe L 157mm capillary pipe 890mm capillary pipe isolated 350mm gland nut probe SS | | |



| | | | |
|--------------------|---|-----------------|-------------------|
| Part No. | 376027 | Ref. No. | 631451 6314-SA |
| description | safety thermostat switch-off temp. 295°C 3-pole 20A probe ø 4mm probe L 128mm capillary pipe 1770mm capillary pipe isolated 1750mm gland nut probe SS | | |

55.33_ series



| | | | |
|--------------------|---|-----------------|--------------------|
| Part No. | 375764 | Ref. No. | 6313-51 6313-SA |
| description | safety thermostat switch-off temp. 282°C 3-pole 20A probe ø 4mm probe L 157mm capillary pipe 1770mm capillary pipe isolated 1490mm gland nut probe SS | | |

accessories

gland nut accessories

ducts



| | | | |
|--------------------|---|-----------------|------|
| Part No. | 550560 | Ref. No. | 1990 |
| description | gland duct ET M12x0.75 IT M9x1 probe ø max. 6.4mm WS 17 stainless steel | | |

accessories for 550560



| | | | |
|--------------------|---|-----------------|--------------|
| Part No. | 345351 | Ref. No. | 1049 3203 |
| description | nut thread M12x0.75 H 1.6mm WS 14 chrome-plated brass Qty 1 pcs | | |



| | | | |
|--------------------|---|-----------------|-----------------|
| Part No. | 550562 | Ref. No. | 4146 6348-17 |
| description | plain washer ID ø 12mm ED ø 18mm thickness 1.5mm SS Qty 1 pcs | | |

gaskets



| | | | |
|--------------------|-------------------------------|-----------------|------|
| Part No. | 510452 | Ref. No. | 3204 |
| description | gasket silicone ø 7.8mm L 7mm | | |






| | | | |
|--------------------|---|-----------------|---------|
| Part No. | 375770 | Ref. No. | 0705-04 |
| description | safety thermostat switch-off temp. 285°C 3-pole 20A probe ø 4mm probe L 128mm capillary pipe 870mm capillary pipe isolated 350mm gland nut probe SS | | |

1

| | | | |
|--------------------|--------------------------|-----------------|------|
| Part No. | 550561 | Ref. No. | 3204 |
| description | insulation for gland nut | | |



bolts with slot


| | | | |
|---|---|-----------------|-------------------|
|  | | | |
| 1 | | | |
| Part No. | 520243 | Ref. No. | 3202 |
| description | bolt with slot thread M9x1 Qty 10 pcs nickel-plated brass | | |
| accessories for | 520243 | | |
|  | Part No. | 510591 | Ref. No. — |
| | washer with slot ED ø 8.8mm slit width 1.2mm Qty 10 | | |
|  | Part No. | 510592 | Ref. No. — |
| | gasket ø 8x8.7mm Qty 10 pcs slotted silicone | | |

switches and momentary switches


microswitches


roller-lever actuated


with mounting components

| | | | |
|---|--|-----------------|--------------------------------------|
|  | | | |
| 1 | | | |
| Part No. | 348222 | Ref. No. | B0045-21 B0045-47SA B0090-38SA |
| description | microswitch with handle with a switch 250V 6A 1NO connection cable 1500mm L 14mm with fixing sheet type with mountign material | | |

pin-plunger actuated


| | | | |
|---|--|-----------------|--------------|
|  | | | |
| 1 | | | |
| Part No. | 345060 | Ref. No. | 5172 6321 |
| description | microswitch with plunger 250V 16A 1NO connection male faston 6.3mm ambient temperature max. 85°C mounting distance 22mm type BS1010 actuating force: 350g red stroke 9mm | | |


| | | | |
|---|---|-----------------|------|
|  | | | |
| 1 | | | |
| Part No. | 300092 | Ref. No. | 3278 |
| description | microswitch with plunger 400V 16A 2NO connection male faston 6.3mm ambient temperature max. 85°C mounting distance 22mm type XTD22A21 actuating force: 150g fryer black | | |


| | | | |
|---|---|-----------------|------|
|  | | | |
| 1 | | | |
| Part No. | 345285 | Ref. No. | 1973 |
| description | microswitch with plunger 400V 16A 2NO connection male faston 6.3mm ambient temperature max. 85°C mounting distance 22mm type XTD22J actuating force: 400g black | | |

cam switches


on/off

| | | | |
|--|---|-----------------|---------|
|  | | | |
| 1 | | | |
| Part No. | 300074 | Ref. No. | 2693-01 |
| description | cam switch 4 operating positions 2NO sequence 0-1-0-1 16A shaft ø 6x4.6mm shaft L 23mm connection male faston 6.3mm ceramic | | |

| | | | |
|--|---|-----------------|------|
|  | | | |
| 1 | | | |
| Part No. | 300021 | Ref. No. | 0719 |
| description | cam switch 4 operating positions 4NO sequence 0-1-0-1 16A shaft ø 6x4.6mm shaft L 23mm connection screw ceramic | | |

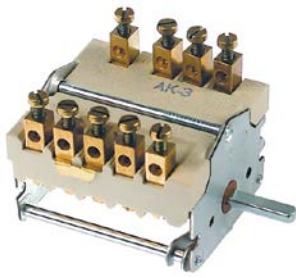
| | | | |
|---|---|-----------------|------|
|  | | | |
| 1 | | | |
| Part No. | 300102 | Ref. No. | 0718 |
| description | cam switch 4 operating positions 4NO sequence 0-1-0-1 32A shaft ø 6x4.6mm shaft L 23mm connection screw ceramic | | |

5-position

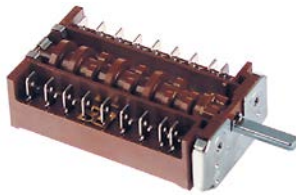
| | | | |
|--|--|-----------------|------|
|  | | | |
| 1 | | | |
| Part No. | 300105 | Ref. No. | 3770 |
| description | cam switch 5 operating positions 3NO/1CO sequence 0-1-2-3-4 32A shaft ø 6x4.6mm shaft L 23mm connection screw 5-position ceramic | | |



3 operating positions

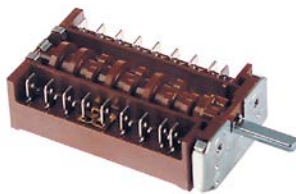


| | | | | |
|---|--------------------|---|-----------------|---------|
| 1 | Part No. | 346469 | Ref. No. | 6317-51 |
| | description | cam switch 3 operating positions 3NO/1CO sequence 0-1-2 32A shaft ø 6x4.6mm shaft L 23mm connection screw | | |



| | | | | |
|---|--------------------|---|-----------------|---------|
| 1 | Part No. | 347157 | Ref. No. | 6316-52 |
| | description | cam switch 3 operating positions 8NO sequence 0-1-2 16A shaft ø 6x4.6mm shaft L 23mm connection male faston 6.3mm plastic | | |

4 operating positions



| | | | | |
|---|--------------------|---|-----------------|---------|
| 1 | Part No. | 346468 | Ref. No. | 6316-51 |
| | description | cam switch 4 operating positions sequence 0-1-2-3 shaft ø 6x4.6mm connection male faston 8-pole | | |

lamps

indicator lights

ø16.2mm



| | | | | |
|---|--------------------|----------------------------|-----------------|------|
| 1 | Part No. | 359686 | Ref. No. | 3270 |
| | description | indicator light lens clear | | |



| | | | | |
|---|--------------------|----------------------------|-----------------|------|
| 1 | Part No. | 359688 | Ref. No. | 3272 |
| | description | indicator light lens green | | |



| | | | | |
|---|--------------------|-----------------------------|-----------------|------|
| 1 | Part No. | 359687 | Ref. No. | 3271 |
| | description | indicator light lens yellow | | |



| | | | | |
|---|--------------------|--|-----------------|------|
| 1 | Part No. | 359685 | Ref. No. | 3269 |
| | description | lamp socket mounting measurements ø16.2mm socket E10 | | |

| | | | | |
|------------------------|-----------------|-----------------------------|-----------------|------|
| accessories for | 359685 | | | |
| | Part No. | 359686 | Ref. No. | 3270 |
| | | indicator light lens clear | | |
| | Part No. | 359687 | Ref. No. | 3271 |
| | | indicator light lens yellow | | |
| | Part No. | 359688 | Ref. No. | 3272 |
| | | indicator light lens green | | |
| | Part No. | 359689 | Ref. No. | — |
| | | indicator light lens red | | |

lamps

neon light bulbs



| | | | | |
|---|--------------------|---|-----------------|-----|
| 1 | Part No. | 359585 | Ref. No. | 739 |
| | description | neon light bulb socket E10 230V green ø 10mm L 28mm | | |

| | | | | |
|------------------------|-----------------|---|-----------------|------|
| accessories for | 359585 | | | |
| | Part No. | 359060 | Ref. No. | — |
| | | lamp socket mounting measurements ø16.2mm socket E10 connection screw | | |
| | Part No. | 359685 | Ref. No. | 3269 |
| | | lamp socket mounting measurements ø16.2mm socket E10 | | |



| | | | | |
|---|--------------------|---|-----------------|-------------|
| 1 | Part No. | 359602 | Ref. No. | 0728 733 |
| | description | neon light bulb socket E14 230V clear ø 14mm L 30mm | | |



indicator lights (complete)

ø10mm

with screw socket



1

| | | | |
|--------------------|--|-----------------|------|
| Part No. | 359867 | Ref. No. | 6324 |
| description | indicator light ø 10mm 230V clear connection male faston 4.8mm socket screw base | | |



1

| | | | |
|--------------------|--|-----------------|-------------------------|
| Part No. | 359870 | Ref. No. | 6326 V2000+BB +GREEN |
| description | indicator light ø 10mm 230V green connection male faston 4.8mm socket screw base | | |



1

| | | | |
|--------------------|--|-----------------|----------------|
| Part No. | 359872 | Ref. No. | 6327 6-3408 |
| description | indicator light ø 10mm 230V red connection male faston 4.8mm socket screw base | | |



1

| | | | |
|--------------------|---|-----------------|--------------|
| Part No. | 359871 | Ref. No. | 5175 6325 |
| description | indicator light ø 10mm 230V yellow connection male faston 4.8mm socket screw base | | |

ø12mm

with plug-in socket



1

| | | | |
|--------------------|-----------------------------------|-----------------|---------|
| Part No. | 359288 | Ref. No. | 9024-56 |
| description | indicator light ø 12mm 230V green | | |



1

| | | | |
|--------------------|--|-----------------|---------|
| Part No. | 359393 | Ref. No. | 9024-55 |
| description | indicator light ø 12mm 230V red with cable | | |

LED

indicator lamps

mounting diameter 8mm



1

| | | | |
|--------------------|---|-----------------|----------|
| Part No. | 360749 | Ref. No. | B0060-04 |
| description | indicator light LED mounting ø 8mm green 230VAC connection F2.8x0.8 mounting thread M8x0.75 | | |



1

| | | | |
|--------------------|---|-----------------|----------|
| Part No. | 360750 | Ref. No. | B0060-03 |
| description | indicator light LED mounting ø 8mm red 230VAC connection F2.8x0.8 mounting thread M8x0.75 | | |



1

| | | | |
|--------------------|---|-----------------|---------|
| Part No. | 360747 | Ref. No. | B0060-1 |
| description | indicator light LED mounting ø 8mm white 230VAC connection F2.8x0.8 mounting thread M8x0.75 | | |



1

| | | | |
|--------------------|--|-----------------|----------|
| Part No. | 360748 | Ref. No. | B0060-02 |
| description | indicator light LED mounting ø 8mm yellow 230VAC connection F2.8x0.8 mounting thread M8x0.75 | | |

screw-on/push-on fit

neon light bulbs



1

| | | | |
|--------------------|---|-----------------|-----|
| Part No. | 359585 | Ref. No. | 739 |
| description | neon light bulb socket E10 230V green ø 10mm L 28mm | | |

accessories for 359585



| | | | |
|--------------------|---|-----------------|---|
| Part No. | 359060 | Ref. No. | — |
| description | lamp socket mounting measurements ø16.2mm socket E10 connection screw | | |



| | | | |
|--------------------|--|-----------------|------|
| Part No. | 359685 | Ref. No. | 3269 |
| description | lamp socket mounting measurements ø16.2mm socket E10 | | |





1

| | | | |
|--------------------|---|-----------------|-------------|
| Part No. | 359602 | Ref. No. | 0728 733 |
| description | neon light bulb socket E14 230V clear ø 14mm L 30mm | | |




timers

audible timers

| | | | |
|--|--|-----------------|---------------|
|  <p>1</p> | | | |
| Part No. | 350166 | Ref. No. | 3190 6341 |
| description | audible timer operation time 15min ø 52mm shaft ø 6x4.6mm shaft L 23mm mounting distance 28mm | | |
| accessories for | 350166 | | |
| | Part No. | 111924 | Ref. No. 6335 |
| |  knob time 15min t.max.°C ø 50mm shaft ø 6x4.6mm shaft flat right black | | |

alarm devices


buzzers


| | | | |
|--|---|-----------------|------|
|  <p>1</p> | | | |
| Part No. | 350224 | Ref. No. | 6338 |
| description | buzzer 110-230VAC/VDC connection F2,8x0,5 thread thread M25x1.5 mounting ø 25.5mm | | |

contactors

BENEDIKT & JÄGER

power contactors

| | | | |
|--|--|-----------------|---------|
|  <p>1</p> | | | |
| Part No. | 381492 | Ref. No. | 6281-12 |
| description | power contactor resistive load 20A 230VAC (AC3/400V) 4kW main contacts 3NO auxiliary contacts 1NC connection screw type K1-09D01 | | |

| | | | |
|---|--|-----------------|-----------------|
|  <p>1</p> | | | |
| Part No. | 380773 | Ref. No. | 3251 6282-11 |
| description | power contactor resistive load 25A 230VAC (AC3/400V) 10A/4kW main contacts 3NO auxiliary contacts 1NC connection screw connection type K3-10A01230 | | |

ISKRA (FANAL)


power contactors

| | | | |
|---|--|-----------------|-------------------------|
|  <p>1</p> | | | |
| Part No. | 380413 | Ref. No. | 3252 6281 6281-11 |
| description | power contactor resistive load 20A 400VAC (AC3/400V) 8.5A/5.5kW main contacts 3NO auxiliary contacts 1NC connection screw connection type Fanal DSL7 01 type ISKRA K07M 01 | | |

probes

producer-specific probes


core probes

| | | | |
|---|---|-----------------|------|
|  <p>1</p> | | | |
| Part No. | 379871 | Ref. No. | 5175 |
| description | core temperature probe thermocouple K (NiCr-Ni) cable PTFE probe -40 up to +250°C cable -40 up to +250°C connection plug probe ø3x100mm thread M16 cable length 2.2m handle ø 10mm handle length 40mm | | |

fuses

fine fuses

fine fuse holders

| | | | |
|---|---|-----------------|-----------------|
|  <p>1</p> | | | |
| Part No. | 550558 | Ref. No. | 6401 6401-SA |
| description | fuse holder suitable fuse ø5x20mm ø 12.5mm 10A rated 250V connection F4.8 | | |



electronic components

resistors



| | | | |
|--------------------|---------------------|-----------------|--------------|
| Part No. | 359502 | Ref. No. | 0742 6328 |
| description | resistor 120KOhm 3W | | |



| | | | |
|--------------------|---|-----------------|-------------------------|
| Part No. | 360751 | Ref. No. | 6339-27 6339-27-01SA |
| description | resistor 27KOhm 25W with cable cable length 400mm | | |

equipment-specific units

for deep fryers

spare parts and accessories



| | | | |
|--------------------|------------------------|-----------------|------|
| Part No. | 550892 | Ref. No. | 3155 |
| description | blind screw connection | | |

miscellaneous



| | | | |
|--------------------|----------------|-----------------|------|
| Part No. | 693476 | Ref. No. | 1860 |
| description | bar for outlet | | |



| | | | |
|--------------------|----------------|-----------------|------|
| Part No. | 693509 | Ref. No. | 3172 |
| description | bar for outlet | | |



| | | | |
|--------------------|------------------------------------|-----------------|------|
| Part No. | 694971 | Ref. No. | 6128 |
| description | bar for outlet L 240mm W 80mm WS 8 | | |



| | | | |
|--------------------|------------------------|-----------------|------|
| Part No. | 693478 | Ref. No. | 0663 |
| description | base plate for oil tap | | |



| | | | |
|--------------------|-------------------------|-----------------|--------------|
| Part No. | 693479 | Ref. No. | 0676 6433 |
| description | drain fitting thread 1" | | |

accessories for 693479



| | | | |
|-----------------|--------|-----------------|---|
| Part No. | 512073 | Ref. No. | — |
|-----------------|--------|-----------------|---|

flat gasket rubber ED ϕ 31mm ID ϕ 22mm thickness 2mm Qty 1 pcs



| | | | |
|-----------------|--------|-----------------|---|
| Part No. | 532020 | Ref. No. | — |
|-----------------|--------|-----------------|---|

O-ring EPDM thickness 1.78mm ID ϕ 31.47mm Qty 10 pcs



| | | | |
|--------------------|--------------------------|-----------------|------|
| Part No. | 693500 | Ref. No. | 6120 |
| description | hook for heating element | | |



| | | | |
|--------------------|-------------------|-----------------|------|
| Part No. | 693480 | Ref. No. | 0665 |
| description | slide for oil tap | | |



knobs

universal knobs

1

| | | | |
|--------------------|--|-----------------|-----------------|
| Part No. | 112562 | Ref. No. | 6331 6333-01 |
| description | knob 0-ECO-FRY t.max.°C° ø 50mm shaft ø 6x4.6mm shaft flat upper black | | |

1

| | | | |
|--------------------|--|-----------------|---------|
| Part No. | 112496 | Ref. No. | 6333-01 |
| description | knob 0-SCHMELZEN-1 ø 50mm shaft ø 6x4.6mm shaft flat upper black | | |

1

| | | | |
|--------------------|---|-----------------|------|
| Part No. | 111926 | Ref. No. | 6332 |
| description | knob 0-SCHMELZEN-BACKEN ø 50mm shaft ø 6x4.6mm shaft flat upper | | |

1

| | | | |
|--------------------|---|-----------------|------|
| Part No. | 110231 | Ref. No. | 5166 |
| description | knob switch 0-1-0-1 t.max.°C° ø 50mm shaft ø 6x4.6mm shaft flat upper black | | |

1

| | | | |
|--------------------|---|-----------------|------|
| Part No. | 111925 | Ref. No. | 6336 |
| description | knob thermostat t.max. 190°C ø 50mm shaft ø 6x4.6mm shaft flat left black temperature range 110-190°C rotation 270° | | |

1

| | | | |
|--------------------|---|-----------------|------|
| Part No. | 111944 | Ref. No. | 5168 |
| description | knob thermostat t.max. 190°C ø 50mm shaft ø 6x4.6mm shaft flat left black temperature range 120-190°C rotation 270° | | |

1

| | | | |
|--------------------|---|-----------------|------|
| Part No. | 111924 | Ref. No. | 6335 |
| description | knob time 15min t.max.°C° ø 50mm shaft ø 6x4.6mm shaft flat right black | | |

producer-specific knobs

VALENTINE

1


| | | | |
|--------------------|--|-----------------|----------|
| Part No. | 112851 | Ref. No. | B0090-01 |
| description | knob 0-ECO-1 ø 50mm shaft ø 6x4.6mm shaft flat upper rotation 180° black | | |

1

| | | | |
|--------------------|--|-----------------|-----------------|
| Part No. | 112562 | Ref. No. | 6331 6333-01 |
| description | knob 0-ECO-FRY t.max.°C° ø 50mm shaft ø 6x4.6mm shaft flat upper black | | |


1

| | | | |
|--------------------|--|-----------------|---------|
| Part No. | 112496 | Ref. No. | 6333-01 |
| description | knob 0-SCHMELZEN-1 ø 50mm shaft ø 6x4.6mm shaft flat upper black | | |


1

| | | | |
|--------------------|---|-----------------|------|
| Part No. | 111926 | Ref. No. | 6332 |
| description | knob 0-SCHMELZEN-BACKEN ø 50mm shaft ø 6x4.6mm shaft flat upper | | |




1

| | | | |
|--------------------|---|-----------------|------|
| Part No. | 111944 | Ref. No. | 5168 |
| description | knob thermostat t.max. 190°C ø 50mm shaft ø 6x4.6mm shaft flat left black temperature range 120-190°C rotation 270° | | |




1

| | | | |
|--------------------|--|-----------------|------|
| Part No. | 110231 | Ref. No. | 5166 |
| description | knob switch 0-1-0-1 t.max.°C ø 50mm shaft ø 6x4.6mm shaft flat upper black | | |



1

| | | | |
|--------------------|--|-----------------|------|
| Part No. | 111924 | Ref. No. | 6335 |
| description | knob time 15min t.max.°C ø 50mm shaft ø 6x4.6mm shaft flat right black | | |




1

| | | | |
|--------------------|--|-----------------|---------|
| Part No. | 111930 | Ref. No. | 0712-02 |
| description | knob switch zero mark t.max.°C temperature range°C ø 42mm shaft ø 6x4.6mm shaft flat upper white | | |


accessories

fascias




1

| | | | |
|--------------------|-------------|-----------------|------|
| Part No. | 111931 | Ref. No. | 3191 |
| description | bezel 15min | | |




1

| | | | |
|--------------------|---|-----------------|----------|
| Part No. | 112855 | Ref. No. | B0090-02 |
| description | knob t.max. 190°C temperature range 95-190°C ø 50mm shaft ø 6x4.6mm shaft flat left rotation 285° black | | |



1

| | | | |
|--------------------|-----------------------------|-----------------|------|
| Part No. | 111932 | Ref. No. | 0716 |
| description | bezel switch and thermostat | | |




1

| | | | |
|--------------------|---|-----------------|------|
| Part No. | 111925 | Ref. No. | 6336 |
| description | knob thermostat t.max. 190°C ø 50mm shaft ø 6x4.6mm shaft flat left black temperature range 110-190°C rotation 270° | | |

handles and hand wheels

mushroom cap handles



1

| | | | |
|--------------------|--|-----------------|------|
| Part No. | 693477 | Ref. No. | 0670 |
| description | mushroom cap handle thread M5 handle ø 32mm L 25mm plastic black | | |



bracket handles




1

| | | | |
|--------------------|---|-----------------|------|
| Part No. | 693501 | Ref. No. | 5134 |
| description | pull handle L 112mm H 30mm mounting distance 85mm | | |

baskets


fryer baskets

VALENTINE




1

| | | | |
|--------------------|---|-----------------|---------|
| Part No. | 970475 | Ref. No. | 9024-60 |
| description | fryer basket L1 245mm W1 285mm H1 125mm hinged handle | | |




1

| | | | |
|--------------------|---|-----------------|---------|
| Part No. | 970889 | Ref. No. | 9021-57 |
| description | fryer basket L1 250mm W1 220mm H1 100mm | | |



1

| | | | |
|--------------------|---|-----------------|---------|
| Part No. | 970474 | Ref. No. | 9021-57 |
| description | fryer basket L1 260mm W1 220mm H1 100mm hinged handle | | |




1

| | | | |
|--------------------|---|-----------------|------|
| Part No. | 970148 | Ref. No. | 3180 |
| description | fryer basket L1 268mm W1 160mm H1 120mm | | |




1

| | | | |
|--------------------|---|-----------------|------|
| Part No. | 970482 | Ref. No. | 3181 |
| description | fryer basket L1 268mm W1 255mm H1 120mm | | |




1

| | | | |
|--------------------|---|-----------------|-----------------|
| Part No. | 970478 | Ref. No. | 5145 5145-02 |
| description | fryer basket L1 270mm W1 160mm H1 100mm L2 495mm H3 170mm chrome-plated steel | | |



1

| | | | |
|--------------------|---|-----------------|-----------------|
| Part No. | 970476 | Ref. No. | 5146 5146-02 |
| description | fryer basket L1 270mm W1 240mm H1 100mm | | |



1

| | | | |
|--------------------|---|-----------------|-----------------|
| Part No. | 970477 | Ref. No. | 5147 5147-02 |
| description | fryer basket L1 270mm W1 340mm H1 100mm | | |



1



| | | | |
|--------------------|---|-----------------|-----------------|
| Part No. | 970479 | Ref. No. | 5148 5148-02 |
| description | fryer basket L1 270mm W1 440mm H1 100mm | | |

1



| | | | |
|--------------------|---|-----------------|------|
| Part No. | 970480 | Ref. No. | 3179 |
| description | fryer basket L1 280mm W1 210mm H1 120mm | | |

1



| | | | |
|--------------------|---|-----------------|----------|
| Part No. | 970803 | Ref. No. | B2080-01 |
| description | fryer basket L1 285mm W1 155mm H1 135mm | | |

1



| | | | |
|--------------------|---|-----------------|--------------------|
| Part No. | 970461 | Ref. No. | 6417-02 6417-04 |
| description | fryer basket L1 285mm W1 157mm H1 135mm | | |

1



| | | | |
|--------------------|---|-----------------|--------------------|
| Part No. | 970462 | Ref. No. | 6419-02 6419-04 |
| description | fryer basket L1 285mm W1 202mm H1 135mm | | |

1



| | | | |
|--------------------|---|-----------------|--------------------------------|
| Part No. | 970484 | Ref. No. | 6420-02 6420-04 B6080-01 |
| description | fryer basket L1 285mm W1 250mm H1 135mm L2 530mm H2 170mm H3 275mm SS | | |

1



| | | | |
|--------------------|---|-----------------|---------|
| Part No. | 970463 | Ref. No. | 6418-02 |
| description | fryer basket L1 290mm W1 350mm H1 135mm | | |

1



| | | | |
|--------------------|---|-----------------|------|
| Part No. | 970465 | Ref. No. | 1955 |
| description | fryer basket L1 300mm W1 160mm H1 140mm | | |

1



| | | | |
|--------------------|---|-----------------|------|
| Part No. | 970466 | Ref. No. | 1957 |
| description | fryer basket L1 310mm W1 360mm H1 150mm | | |

1



| | | | |
|--------------------|---|-----------------|---------------------|
| Part No. | 970780 | Ref. No. | 6419-04 B2580-01 |
| description | fryer basket W1 202mm L1 285mm H1 135mm | | |



valves and tank inlets

ball valves

universal

ball valves with lever handle



1

| | | | |
|--------------------|---|-----------------|------|
| Part No. | 520280 | Ref. No. | 5137 |
| description | ball valve connection 1/2" IT - 1/2" IT DN15 total length 50mm with lever handle handle length 85mm | | |

producer-specific

VALENTINE



1

| | | | |
|--------------------|---|-----------------|------|
| Part No. | 514362 | Ref. No. | 6431 |
| description | ball valve inlet 1" ET outlet 1" IT L 73mm without handle | | |

accessories for

| | | | |
|-----------------|--------|-----------------|------|
| 514362 | | | |
| Part No. | 514363 | Ref. No. | 6432 |



nut thread 1" H 12.5mm SS WS 46 Qty 1 pcs

1

| | | | |
|--------------------|---|-----------------|------|
| Part No. | 514363 | Ref. No. | 6432 |
| description | nut thread 1" H 12.5mm SS WS 46 Qty 1 pcs | | |

fastening material

nuts

hexagonal nuts

hexagonal nuts metric (without norm)



1

| | | | |
|--------------------|---|-----------------|--------------|
| Part No. | 345351 | Ref. No. | 1049 3203 |
| description | nut thread M12x0.75 H 1.6mm WS 14 chrome-plated brass Qty 1 pcs | | |



1

| | | | |
|--------------------|--------------------------------|-----------------|------|
| Part No. | 550559 | Ref. No. | 3273 |
| description | nut thread M16x1 H 5.5mm WS 19 | | |

hexagonal nuts inch thread



1

| | | | |
|--------------------|---|-----------------|------|
| Part No. | 514363 | Ref. No. | 6432 |
| description | nut thread 1" H 12.5mm SS WS 46 Qty 1 pcs | | |

washers

washers

DIN 125A



1

| | | | |
|--------------------|--|-----------------|-----------------|
| Part No. | 560112 | Ref. No. | 4105 4815-05 |
| description | plain washer ID ø 5.3mm ED ø 10mm thickness 1mm SS Qty 20 pcs DIN 125A for thread M5 | | |

miscellaneous



1

| | | | |
|--------------------|---|-----------------|-----------------|
| Part No. | 550562 | Ref. No. | 4146 6348-17 |
| description | plain washer ID ø 12mm ED ø 18mm thickness 1.5mm SS Qty 1 pcs | | |

GASTROPARTS.COM

