



**GASTROPARTS**

# Tornati

- [EN]** Equipment
- [DE]** Geräte
- [ES]** Aparatos
- [FR]** Équipement
- [IT]** Attrezzature
- [PL]** Urządzenia
- [RU]** Оборудование

✉ [gastroparts@gastroparts.com](mailto:gastroparts@gastroparts.com)

☎ +48 56 657 00 66

📘 [fb.com/gastroparts.global](https://fb.com/gastroparts.global)


**GASTROPARTS.COM**










## heating elements


### heating elements for pizza ovens







<b>Part No.</b>	415890	<b>Ref. No.</b>	336023
<b>description</b>	heating element 1500W 230V L 455mm W 410mm thread 1/4" mounting distance 402mm connection length 60mm connection M6x1 tube ø 8.5mm heating circuits 1 dry heating element 2 hole fixing pizza oven		
<b>accessories for</b>	415890		
	<b>Part No.</b>	361182	<b>Ref. No.</b> —
	nut thread 1/4" H 5mm nickel-plated brass WS 17 Qty 1 pcs		
	<b>Part No.</b>	510417	<b>Ref. No.</b> —
	flat gasket fibre ED ø 20mm ID ø 14mm thickness 2mm Qty 1 pcs		
	<b>Part No.</b>	520228	<b>Ref. No.</b> —
	tooth lock washer ID ø 15.3mm ED ø 24mm steel Qty 1 pcs for thread M14		
	<b>Part No.</b>	550262	<b>Ref. No.</b> —
	flat gasket copper ED ø 20mm ID ø 14mm thickness 2mm		



<b>Part No.</b>	415891	<b>Ref. No.</b>	336014 336024
<b>description</b>	heating element 2000W 230V L 560mm W 545mm thread 1/4" mounting distance 540mm connection M6 tube ø 8.5mm heating circuits 1 dry heating element 2 hole fixing pizza oven		



<b>Part No.</b>	415896	<b>Ref. No.</b>	336005
<b>description</b>	heating element 550W 230V L 1180mm W 63mm thread 1/4" mounting distance 54.5mm connection length 49mm connection M4 tube ø 8.5mm heating circuits 1 dry heating element 2 hole fixing		
<b>accessories for</b>	415896		
	<b>Part No.</b>	361182	<b>Ref. No.</b> —
	nut thread 1/4" H 5mm nickel-plated brass WS 17 Qty 1 pcs		
	<b>Part No.</b>	510417	<b>Ref. No.</b> —
	flat gasket fibre ED ø 20mm ID ø 14mm thickness 2mm Qty 1 pcs		
	<b>Part No.</b>	520228	<b>Ref. No.</b> —
	tooth lock washer ID ø 15.3mm ED ø 24mm steel Qty 1 pcs for thread M14		
	<b>Part No.</b>	550262	<b>Ref. No.</b> —
	flat gasket copper ED ø 20mm ID ø 14mm thickness 2mm		



<b>Part No.</b>	415521	<b>Ref. No.</b>	336007 f.Export60x60
<b>description</b>	heating element 650W 230V L 570mm W 160mm thread 1/4" mounting distance 164mm connection length 39mm connection M6 tube ø 8.5mm heating circuits 1 dry heating element 2 hole fixing		
<b>accessories for</b>	415521		
	<b>Part No.</b>	361182	<b>Ref. No.</b> —
	nut thread 1/4" H 5mm nickel-plated brass WS 17 Qty 1 pcs		
	<b>Part No.</b>	510417	<b>Ref. No.</b> —
	flat gasket fibre ED ø 20mm ID ø 14mm thickness 2mm Qty 1 pcs		
	<b>Part No.</b>	520228	<b>Ref. No.</b> —
	tooth lock washer ID ø 15.3mm ED ø 24mm steel Qty 1 pcs for thread M14		
	<b>Part No.</b>	550262	<b>Ref. No.</b> —
	flat gasket copper ED ø 20mm ID ø 14mm thickness 2mm		

## thermostats

### control and safety thermostats

EGO

safety thermostats

55.10/19\_ series

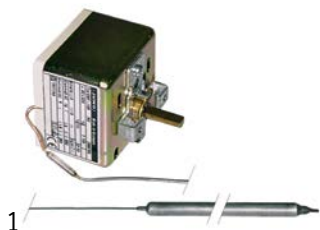


<b>Part No.</b>	375662	<b>Ref. No.</b>	333014
<b>description</b>	safety thermostat switch-off temp. 512°C 1-pole 16A probe ø 3.9mm probe L 228mm capillary pipe 1470mm capillary pipe isolated 960mm gland nut probe SS screw connection M8x1		
<b>accessories for</b>	375662		
	<b>Part No.</b>	102067	<b>Ref. No.</b> —
	nut thread M8x1 H 3mm brass Qty 1 pcs type SEF 1		



## JUMO

## control thermostats



<b>Part No.</b>	375103	<b>Ref. No.</b>	333003
<b>description</b>	thermostat t.max. 500°C temperature range 20-500°C 3-pole 3CO 16A probe ø 8mm probe L 155mm capillary pipe 1000mm capillary pipe isolatedmm gland nut shaft ø 6x4.6mm shaft L 17mm rotation 270°		

## safety thermostats



<b>Part No.</b>	390169	<b>Ref. No.</b>	333007
<b>description</b>	safety thermostat switch-off temp. 20-500°C temperature range°C 1-pole 1NC 16A probe ø 6mm probe L 275mm capillary pipe 1000mm capillary pipe isolatedmm gland nut shaft ømm probe material copper 230V		
<b>For models:</b>	TF60, TF99		

## control thermostats with actual value




<b>Part No.</b>	379039	<b>Ref. No.</b>	333002
<b>description</b>	thermostat t.max. 500°C temperature range 0-500°C 1CO 5A probe ø 8mm probe L 150mm capillary pipe 1100mm mounting ø 60mm front measurements 72x72mm		

switches and momentary switches  
rocker/momentary rocker switches

30x22mm

labelled



<b>Part No.</b>	300125	<b>Ref. No.</b>	304026	
<b>description</b>	rocker switch mounting measurements 30x22mm green 2NO 230V 16A 0-I connection male faston 6.3mm ambient temperature max. 125/55°C protection IP65 with cover cap			
<b>For models:</b>	TF60, TF99			
<b>accessories for</b>	300125			
	<b>Part No.</b>	301036	<b>Ref. No.</b>	—
	protective cover internal size 30x22mm for rocker switch mounting measurementsmm			

## rotary switches

BREMAS

A1600 series



<b>Part No.</b>	345315 <sup>1</sup>	<b>Ref. No.</b>	304023
<b>description</b>	rotary switch 3 1-0-2 sets of contacts 6 type CA160007 400V 16A shaft ø 5x5mm shaft L 23mm shaft square with knob connection screw		

<sup>1</sup>incl. knob

CQ016R series



<b>Part No.</b>	301065	<b>Ref. No.</b>	304023
<b>description</b>	rotary switch 400V 16A shaft ø 5x5mm connection screw clamp shaft squaremm		



**lamps**

screw-on/push-on fit

light bulbs

for ovens



1

<b>Part No.</b>	359610	<b>Ref. No.</b>	321006
<b>description</b>	light bulb t.max. 300°C socket E14 15W 230V ø 22mm L 47mm lens L 20mm for oven lamp type Philips		
<b>For models:</b>	TF60, TF99		

halogen lamp

for socket G4 / G6.35 / G9



1

<b>Part No.</b>	359599	<b>Ref. No.</b>	321012
<b>description</b>	halogen lamp socket G4 12V 20W temp.-resist. 500°C		

oven lamps

universal oven lamps

mounting diameter 35.5mm



1

<b>Part No.</b>	359701	<b>Ref. No.</b>	323004
<b>description</b>	lamp socket socket E14 220-230V mounting ø 35.5mm connection male faston 6.3mm 15W		
<b>For models:</b>	TF60, TF99		
<b>accessories for</b>	359701		



<b>Part No.</b>	359705	<b>Ref. No.</b>	—
<b>description</b>	oven lamp glass thr.ø 33.5mm ø 52mm hard glas temp.-resist. 350°C		



<b>Part No.</b>	359709	<b>Ref. No.</b>	323013
<b>description</b>	oven lamp glass thr.ø 33.5mm ø 42mm hard glas temp.-resist. 350°C		



<b>Part No.</b>	359721	<b>Ref. No.</b>	—
<b>description</b>	gasket silicone ED ø 48mm ID ø 39.5mm thickness 5mm Qty 1 pcs		



<b>Part No.</b>	359942	<b>Ref. No.</b>	323005 TO323005
<b>description</b>	oven lamp glass thr.ø 33.5mm ø 41mm hard glas temp.-resist. 350°C		



1

<b>Part No.</b>	359942	<b>Ref. No.</b>	323005 TO323005
<b>description</b>	oven lamp glass thr.ø 33.5mm ø 41mm hard glas temp.-resist. 350°C		



1

<b>Part No.</b>	359709	<b>Ref. No.</b>	323013
<b>description</b>	oven lamp glass thr.ø 33.5mm ø 42mm hard glas temp.-resist. 350°C		

mounting diameter 65.5mm



1

<b>Part No.</b>	359724	<b>Ref. No.</b>	323006
<b>description</b>	oven lamp glass thread ø 62mm H 46mm ø 74mm hard glas temp.-resist. 350°C		
<b>For models:</b>	TF60, TF99		

lamps

light bulbs



1

<b>Part No.</b>	359610	<b>Ref. No.</b>	321006
<b>description</b>	light bulb t.max. 300°C socket E14 15W 230V ø 22mm L 47mm lens L 20mm for oven lamp type Philips		
<b>For models:</b>	TF60, TF99		

halogen lamps

for socket G4 / G6.35 / G9



1

<b>Part No.</b>	359599	<b>Ref. No.</b>	321012
<b>description</b>	halogen lamp socket G4 12V 20W temp.-resist. 500°C		



## electronic controllers

### EVCO - EVERY CONTROL

universal controllers

built-in version



1

<b>Part No.</b>	379027	<b>Ref. No.</b>	331008
<b>description</b>	electronic controller EVERY CONTROL mounting measurements 66.5x138mm 230V voltage AC TC J/K protection IP54 0-700°C for pizza oven type EC8		

## probes

### producer-specific probes

probes

1



<b>Part No.</b>	379423	<b>Ref. No.</b>	T0338014
<b>description</b>	temperature probe thermocouple J (Fe-CuNi) cable Vetrotex probe -50 up to +750°C cable -50 up to +350°C connection wire end ferrules thread probe ø6x150mm cable length 1.5m		


## fans

### axial fans


import



1

<b>Part No.</b>	601080 <sup>1</sup>	<b>Ref. No.</b>	328022
<b>description</b>	axial fan L 119mm W 119mm H 38mm 230VAC 50/60Hz 23/20W bearing ball bearing connection male faston 2.8mm metal ADDA fan wheel ø 110mm temp.-resist. 70°C		
<b>For models:</b>	TF60, TF99		
<b>accessories for</b>	601080		
	<b>Part No.</b>	550898	<b>Ref. No.</b> —
	connecting cable cable length 2000mm connection F 2.8 connection distance 7.9mm for axial flow fan		

<sup>1</sup>with ball bearings

<b>accessories for</b>	601080		
	<b>Part No.</b>	692519	<b>Ref. No.</b> —
	guard L 120mm W 120mm plastic		





## gas valves and ignition boxes

### gas control valves

HONEYWELL



1

<b>Part No.</b>	101164	<b>Ref. No.</b>	512001
<b>description</b>	gas valve type VR4605A 230V 50Hz gas inlet 1/2" gas outlet 1/2" thermocouple connection pilot connection pressure range 3-37mbar operator type 230V (V404A 1329)		
<b>For models:</b>	TF60, TF99		
<b>accessories for</b>	101164		
	<b>Part No.</b>	101305	<b>Ref. No.</b> —
	gas connection straight 1/2" flange 45x45mm ELETTROSIT/V4400/4600/4605 suitable for SIT/HONEYWELL hole distance 36x36mm		
	<b>Part No.</b>	101306	<b>Ref. No.</b> —
	gas connection angled flange 45x45mm hole distance 36x36mm 1/2" ELETTROSIT/V4400/4600/4605 screw with O-ring suitable for SIT/HONEYWELL		
	<b>Part No.</b>	101307	<b>Ref. No.</b> —
	gas connection straight flange 45x45mm hole distance 36x36mm 3/4" ELETTROSIT/V4400/4600/4605 screw with O-ring suitable for SIT/HONEYWELL		
	<b>Part No.</b>	101308	<b>Ref. No.</b> —
	gas connection angled flange 45x45mm hole distance 36x36mm 3/4" ELETTROSIT/V4400/4600/4605 screw with O-ring suitable for SIT/HONEYWELL		




## ignition boxes

### HONEYWELL



1

<b>Part No.</b>	101165	<b>Ref. No.</b>	512002
<b>description</b>	ignition box HONEYWELL type S4560A 1008 equiv. no. S4560A 1008 electrodes 1 waiting time 0s safety time 10s 220-240V 10VA 50Hz		
<b>For models:</b>	TF60, TF99		
<b>spare parts for</b>	101165		
	<b>Part No.</b>	358696	<b>Ref. No.</b> —
	fine fuse size ø5x20mm 4A medium lag rated 250V Qty 10 pcs		

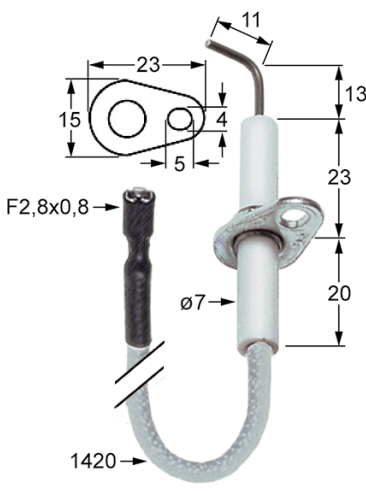


1

<b>Part No.</b>	106949	<b>Ref. No.</b>	512030
<b>description</b>	ignition box HONEYWELL type S4960A 1008 electrodes 1 waiting time 2s safety time 10s 220-240V 10VA 50Hz		

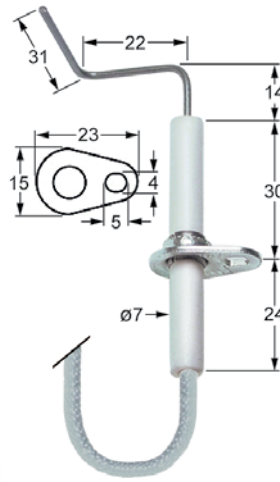
## ignition parts

### electrodes



1

<b>Part No.</b>	100726	<b>Ref. No.</b>	337001
<b>description</b>	ignition electrode flange length 23mm flange width 15mm D1 ø 7mm L1 13mm L2 11mm BL1 23mm BL2 20mm connection F 2.8x0.8mm cable length 1420mm fixing dimensions ø5x4mm with flange		
<b>For models:</b>	TF60, TF99		



1

<b>Part No.</b>	100727	<b>Ref. No.</b>	338002
<b>description</b>	ignition electrode flange length 23mm flange width 15mm D1 ø 7mm L1 14mm L2 22mm L3 31mm BL1 30mm BL2 24mm cable length 1400mm fixing dimensions ø5x4mm with flange		
<b>For models:</b>	TF60, TF99		

## gas nozzles

### main nozzles

#### gas nozzles M13x1



1

<b>Part No.</b>	102783	<b>Ref. No.</b>	502018 FR23-30/37
<b>description</b>	gas injector thread M13x1 bore ø 1.8mm WS 13		



1

<b>Part No.</b>	102785	<b>Ref. No.</b>	FR20/25
<b>description</b>	gas injector thread M13x1 bore ø 2.65mm WS 13		

## equipment-specific units

### for pizza ovens

#### firebricks



1


<b>Part No.</b>	850005	<b>Ref. No.</b>	201078
<b>description</b>	firebrick L 615mm W 606mm H 25mm delivery freight forwarding company only		
<b>For models:</b>	TF60		

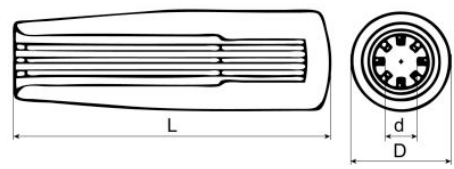
1 

<b>Part No.</b>	850116	<b>Ref. No.</b>	201112
<b>description</b>	firebrick L 615mm W 610mm H 18mm delivery freight forwarding company only		

1 

<b>Part No.</b>	850006	<b>Ref. No.</b>	201080
<b>description</b>	firebrick L 913mm W 606mm H 25mm delivery freight forwarding company only		


1 

1 

<b>Part No.</b>	110331	<b>Ref. No.</b>	I580/80 N12,513010
<b>description</b>	cylindrical handle bore $\varnothing$ 12mm $\varnothing$ 26mm L 80mm		

**gaskets**  
sealing cords


square

1 

<b>Part No.</b>	693738	<b>Ref. No.</b>	211003
<b>description</b>	sealing cord square size 10x10mm t.max. 550°C braided L 5m		
<b>For models:</b>	TF60, TF99		

**springs**  
gas tension springs

gas tension springs


1 

<b>Part No.</b>	692685	<b>Ref. No.</b>	514002
<b>description</b>	gas tension spring 150N hub 100mm D1 $\varnothing$ 6mm D2 $\varnothing$ 15mm hole distance 260mm hole $\varnothing$ 6mm L 275mm		

**measuring equipment**  
thermometers

built-in thermometers

$\varnothing$ 60mm


1 

<b>Part No.</b>	541054	<b>Ref. No.</b>	332001 JUMO DIAM.60
<b>description</b>	thermometer mounting $\varnothing$ 60mm t.max. 500°C 0 up to +500°C probe $\varnothing$ 10mm probe L 80mm capillary pipe 700mm		

**knobs**

producer-specific knobs

TORNATI


1 

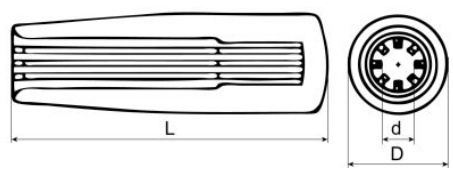
<b>Part No.</b>	112538	<b>Ref. No.</b>	513002
<b>description</b>	knob switch zero mark $\varnothing$ 27mm shaft $\varnothing$ 6mm shaft flat lower black		

**handles and hand wheels**

cylindrical handles

fixed

1 

1 

<b>Part No.</b>	110332	<b>Ref. No.</b>	I580/65 N10,513007
<b>description</b>	cylindrical handle bore $\varnothing$ 10mm $\varnothing$ 23mm L 65mm		

**GASTRO**PARTS.COM

