



**GASTROPARTS**

# Star-Manufacturing

- [EN]** Equipment
- [DE]** Geräte
- [ES]** Aparatos
- [FR]** Équipement
- [IT]** Attrezzature
- [PL]** Urządzenia
- [RU]** Оборудование

✉ [gastroparts@gastroparts.com](mailto:gastroparts@gastroparts.com)

☎ +48 56 657 00 66

📘 [fb.com/gastroparts.global](https://fb.com/gastroparts.global)

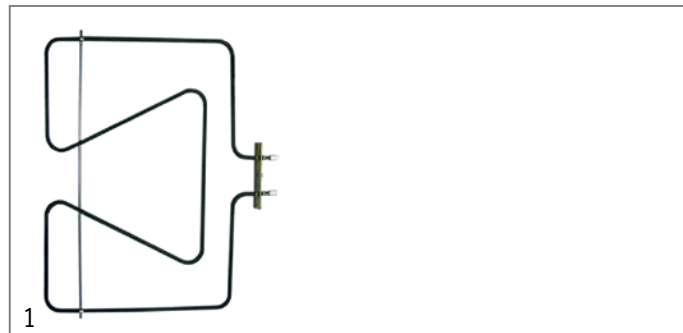
**GASTROPARTS.COM**



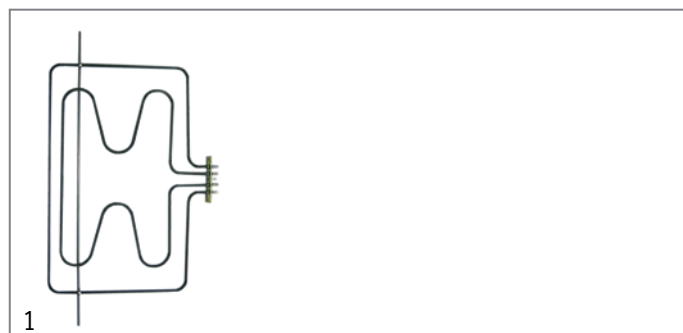


## heating elements

### heating elements for ovens



<b>Part No.</b>	415775	<b>Ref. No.</b>	10013150430
<b>description</b>	heating element 1750W 230V heating circuits 1 L 326mm W 405mm L1 34mm L2 292mm W1 170mm W2 60mm flange length 100mm flange width 22mm hole distance 86mm tube ø 6.3mm connection male faston 6.3mm mounting pos. lower rectangular flange dry heating element oven mounting thread M4		



<b>Part No.</b>	415774	<b>Ref. No.</b>	10013150420 16002032700
<b>description</b>	heating element 3050W 230V heating circuits 2 L 325mm W 474mm L1 40mm L2 285mm W1 237mm W2 60mm flange length 100mm flange width 22mm hole distance 85mm bridge length 620mm hole ø M4mm tube ø 6.3mm connection male faston 6.3mm mounting pos. upper rectangular flange dry heating element oven		

## energy regulators

### EGO

#### 1-circuit

<b>Part No.</b>		<b>Ref. No.</b>	15138 200539 200544 2J-200539
<b>description</b>	energy regulator 120V 13A single-circuit turn direction left shaft ø 6.3x4.7mm shaft L 19mm mounting thread M4 no. 50.59.130.048		

<b>Part No.</b>	380035	<b>Ref. No.</b>	200538 200545 2J-200538 5200 5230
<b>description</b>	energy regulator EGO 240V 13A single-circuit turn direction left shaft ø 6x4.6mm shaft L 19mm mounting thread 3/8"-24UNF power release 22-70% no. 50.59070.048 front fixing		

## ROBERTSHAW

### INF series

<b>Part No.</b>	381550	<b>Ref. No.</b>	2J-6403
<b>description</b>	energy regulator ROBERTSHAW 240V 15A turn direction left shaft ø 6,3x4mm shaft L 16mm no. INF2401303		

## thermostats

### control and safety thermostats

#### INVENSYS / ROBERTSHAW

#### safety thermostats

<b>Part No.</b>	390965	<b>Ref. No.</b>	
<b>description</b>	safety thermostat switch-off temp. 232°C 1-poleA probe ø 7.93mm probe L 77mm capillary pipe 760mm capillary pipe isolatedmm gland nut shaft ømm probe SS		



## switches and momentary switches

## rocker/momentary rocker switches

37x21mm



1

<b>Part No.</b>	348094	<b>Ref. No.</b>	2E-70851 WS-8706-28
<b>description</b>	momentary rocker switch mounting measurements 37x21mm black 2NO 250V 10A momentary connection male faston 6.3mm ambient temperature max. 125°C protection IP40		

## push/momentary push switches

ø25mm



1

<b>Part No.</b>	346002	<b>Ref. No.</b>	10013101580
<b>description</b>	momentary push switch mounting ø 25mm red 2NO 250V 16A connection male faston 6.3mm ambient temperature max. 85°C protection IP40		



1

<b>Part No.</b>	346432	<b>Ref. No.</b>	10013101570
<b>description</b>	push switch mounting ø 25mm red 1NO 250V 16A connection male faston 6.3mm ambient temperature max. 85°C protection IP40		

## cam switches

## operation switches



1

<b>Part No.</b>	300119	<b>Ref. No.</b>	10013000860
<b>description</b>	operation switch 6 operating positions 5NO 16A sequence 0-1-2-3-4-5 shaft ø 6x4.6mm shaft L 23mm connection male faston 6.3mm plastic ambient temperature max. 318°C		

## lamps

## indicator lights

## indicator lights (complete)

ø12mm

with plug-in socket



1

<b>Part No.</b>	580014	<b>Ref. No.</b>	150654 154024 156054 301013
<b>description</b>	indicator light ø 12mm 230V red		

ø13mm

with plug-in socket



1

<b>Part No.</b>	359141	<b>Ref. No.</b>	10013000611 16001518000
<b>description</b>	indicator light ø 13mm red 230V connection male faston 6.3mm temp.-resist. 120°C Qty 1 pcs		

## electric accessories

## cables

## accessories

## protection hoses

## miscellaneous

1

<b>Part No.</b>		<b>Ref. No.</b>	2E-Z2898
<b>description</b>	protection pipe suitable for contact grill ID ø 15mm ED ø 19mm mounting ø 21mm Qty 1m plastic/metal		



## ignition parts

### pilot burners


ROBERTSHAW

pilot burners

universal series with electrodes




1

<b>Part No.</b>	107401	<b>Ref. No.</b>	2J-80201-25
<b>description</b>	pilot burner ROBERTSHAW type 3S-2 2 flames natural gas code 18 for pipe ø 1/4" CCT		
<b>spare parts for</b>	107401		
	<b>Part No.</b>	<b>Ref. No.</b>	—
	100276		
	pilot burner nozzle natural gas code 18 suitable for ROBERTSHAW		



1

<b>Part No.</b>	107400	<b>Ref. No.</b>	2J-80201-24
<b>description</b>	pilot burner ROBERTSHAW type 3SL-20 2 flames natural gas code 18 for pipe ø 1/4" CCT		
<b>spare parts for</b>	107400		
	<b>Part No.</b>	<b>Ref. No.</b>	—
	100276		
	pilot burner nozzle natural gas code 18 suitable for ROBERTSHAW		

### ignition units



1

<b>Part No.</b>	101037	<b>Ref. No.</b>	10013234490 16001493104
<b>description</b>	ignition unit outputs 6		

## thermocouples

### thermocouple sets universal



1

<b>Part No.</b>	102280	<b>Ref. No.</b>	2J-6726
<b>description</b>	thermocouple set ROBERTSHAW 5-piece L 18" - 455mm		



1

<b>Part No.</b>	102281	<b>Ref. No.</b>	2J-Z4609
<b>description</b>	thermocouple set ROBERTSHAW 5-piece L 24" - 610mm		



1

<b>Part No.</b>	103236	<b>Ref. No.</b>	2J-80504-03
<b>description</b>	thermocouple set ROBERTSHAW 5-piece L 60" - 1525mm ASA 11/32		

## gas nozzles

### chokes

AB



1

<b>Part No.</b>	107807	<b>Ref. No.</b>	2V-6671
<b>description</b>	restrictor AB type AP7-2 gas inlet 1/8"x27 NPT (tube ø 5.4mm) gas outlet 7/16"x24 UNS (tube ø 1/4" CC)		

## knobs

### producer-specific knobs

STAR MFG



1

<b>Part No.</b>	112885	<b>Ref. No.</b>	2R-Z4997
<b>description</b>	knob zero mark t.max. °C ø 59mm shaft ø 8.7x6mm black		



## locks

### edgemount latches

### magnetic locks

### miscellaneous

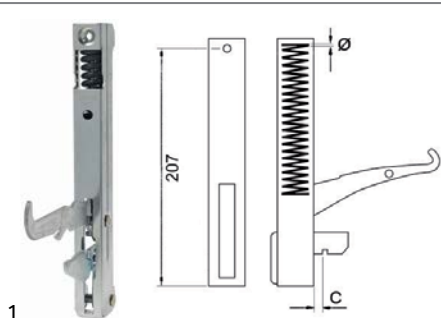


1

<b>Part No.</b>	701661	<b>Ref. No.</b>	WS-63946
<b>description</b>	magnetic lock L 267mm mounting distance 1 117.5mm mounting distance 2 16mm non lockable suitable for ALTO SHAAM with screws		

## hinges

### oven hinges



1

<b>Part No.</b>	690037	<b>Ref. No.</b>	10013160490
<b>description</b>	oven hinge mounting distance 205mm mounting distance 2mm lug mountingmm lever length 119mm groove distance 13mm spring thickness 4.3mm mounting ear position spring length 103mm L 214mm		

## pullouts

### rollers

### rollers



1

<b>Part No.</b>	692927	<b>Ref. No.</b>	2P-30483 WS-50483
<b>description</b>	roller rollerø 23.2mm B1 6.5mm A 23.2mm B 6.5mm C 8mm D 1/4"-20UNC=ø6.35mm x 1.27mm E 13mm bearing ball bearing thread 1/4"-20UNC=ø6.35mm x 1.27 thread L 8mm Qty 1 pcs		

## gaskets

### gaskets for heated units

### door seals



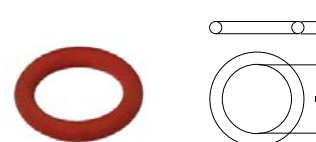
1

<b>Part No.</b>	900511	<b>Ref. No.</b>	10013150180 14400162800
<b>description</b>	door seal profile 2910 L 1230mm Qty 1		

## O-rings

### silicone

### ø1.78mm



1

<b>Part No.</b>	532508	<b>Ref. No.</b>	10013151140
<b>description</b>	O-ring silicone thickness 1.78mm ID ø 6.75mm Qty 1 pcs		

**GASTRO**PARTS.COM

