



GASTROPARTS

Sirman

- [EN]** Equipment
- [DE]** Geräte
- [ES]** Aparatos
- [FR]** Équipement
- [IT]** Attrezzature
- [PL]** Urządzenia
- [RU]** Оборудование

✉ gastroparts@gastroparts.com

☎ +48 56 657 00 66

📘 fb.com/gastroparts.global

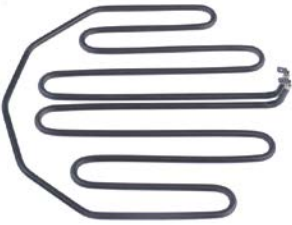
GASTROPARTS.COM



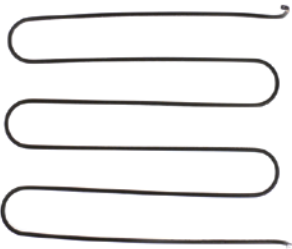


heating elements


heating elements for crepes makers

 <p>1</p>			
Part No.	418646	Ref. No.	IGS703103
description	heating element 2000W 230V L 270mm W 235mm H 45mm tube ø 6.3mm W2 20mm connection male faston 6.3mm connection distance 229mm crepes maker		
For models:	CREPIERA TONDA		


heating elements for griddles


 <p>1</p>			
Part No.	418644	Ref. No.	IV5253500
description	heating element 450W 230V heating circuits 1 L 440mm W 350mm H 45mm tube ø 6.3mm warming plate connection distance 344mm		


heating elements for hot dog machines

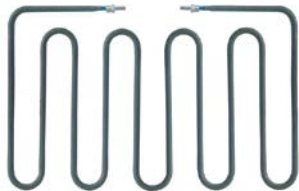
 <p>1</p>			
Part No.	416487	Ref. No.	ATHD071015
description	heating element 750W 230V L 183mm W 324mm H mm tube ø 6.3mm L1 31mm L2 152mm W1 134mm W2 56mm connection male faston 6.3mm connection distance 51mm dry heating element heating circuits 1		

heating elements for contact grills

 <p>1</p>			
Part No.	416590	Ref. No.	IGS407C
description	heating element 1150W 230V L 192mm W 304mm H 18mm W1 98mm W2 108mm connection length 24mm tube ø 6.3mm windings 5 connection M4 mounting pos. lower dry heating element		

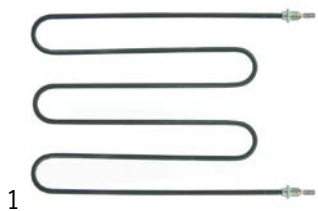
 <p>1</p>			
Part No.	416593	Ref. No.	IGS402P
description	heating element 700W 240V L 180mm W 175mm H 15mm W1 50mm W2 75mm connection length 21mm tube ø 6.5mm windings 3 connection M4 mounting pos. lower dry heating element		

 <p>1</p>			
Part No.	416592	Ref. No.	IGS103013 IGS407P
description	heating element 850W 240V L 180mm W 172mm H 16mm W1 45mm W2 71mm connection length 18mm tube ø 6.5mm windings 3 connection 18 cable length 120mm mounting pos. lower dry heating element		

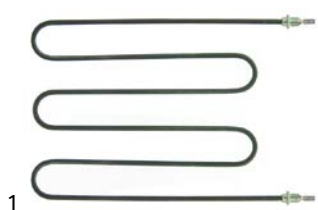
 <p>1</p>			
Part No.	416591	Ref. No.	IGS402C
description	heating element 875W 230V heating circuits 1 L 190mm W 308mm H 18mm W1 108mm W2 92mm connection length 24mm tube ø 6.3mm windings 5 connection M4 mounting pos. upper dry heating element		



heating elements for pizza ovens



Part No.	416488	Ref. No.	IB5256400
description	heating element 1000W 230V L 320mm W 240mm thread M12x1.5 mounting distance 233mm connection length 33mm connection male faston 6.3mm tube ø 6.3mm heating circuits 1 dry heating element 2 hole fixing		
For models:	VETRINETTA 38		

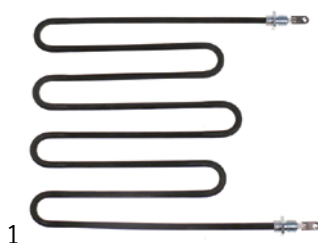


Part No.	416489	Ref. No.	IB5256410
description	heating element 700W 230V L 316mm W 235mm thread M12x1.5 mounting distance 228mm connection length 34mm connection male faston 6.3mm tube ø 6.3mm heating circuits 1 dry heating element 2 hole fixing		

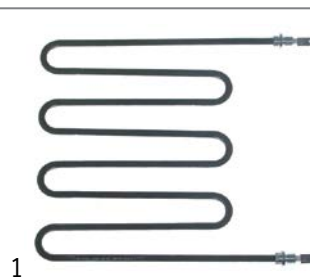






Part No.	417666	Ref. No.	IGS803603
description	heating element 975W 240V L 700mm W 100mm thread 1/4" mounting distance 54.5mm connection length 49mm connection M4 tube ø 8.5mm heating circuits 1 2 hole fixing		

heating elements for salamanders/toast-



Part No.	418645	Ref. No.	IB52565010
description	heating element 1700W 230V L 235mm W 211mm thread M12x1 mounting distance 205mm connection M4 tube ø 6.3mm heating circuits 1 dry heating element 2 hole fixing salamander grill H 6.3mm		
For models:	SALAMANDRA PRO 1/1G CE		



Part No.	416594	Ref. No.	RCSG200	
description	heating element 1900W 230V L 230mm W 205mm thread M10x1 mounting distance 199mm connection length 23mm connection M4 tube ø 6.3mm heating circuits 1 dry heating element 2 hole fixing salamander grill H 6.3mm			
accessories for	416594			
	Part No.	510416	Ref. No.	—
	flat gasket fibre ED ø 19mm ID ø 10.5mm thickness 1.5mm for thread M10 Qty 1 pcs			
	Part No.	510893	Ref. No.	—
	O-ring EPDM thickness 2.62mm ID ø 9.92mm Qty 1 pcs			
	Part No.	520231	Ref. No.	—
	nut thread M10x1 H 6mm WS 14 zinc-coated steel Qty 1 pcs			
	Part No.	521129	Ref. No.	—
	nut thread M10 H 6mm SS WS 17 Qty 1 pcs DIN/ISO DIN 439			

quartz heating elements



Part No.	416564	Ref. No.	IB5206800
description	heating coil 400W 110V for quartz tube 320hm L1 345mm L2 310mm ø 6mm connection eye		
For models:	ROLLER		



Part No.	417445	Ref. No.	IB5206900
description	heating coil 400W 110V for quartz tube L1 170mm L2 115mm ø 6.5mm connection eye		




Part No.	416482	Ref. No.	IGS402T04
description	heating coil 400W 115V L1 280mm L2 220mm ø 6mm connection eye		
For models:	4Q		




Part No.	417448	Ref. No.	IB5206810 IB5206910
description	heating coil 400W 230V 1350hm L1 300mm L2 210mm ø 6.3mm connection ø 5mm		




1 

Part No.	416484	Ref. No.	IGS402T06
description	heating coil 500W 115V for quartz tube L1 260mm L2 220mm ø 6mm connection eye		
For models:	12Q, 6Q		

1 


Part No.	416485	Ref. No.	IGS402T06/02
description	heating coil 600W 110V for quartz tube L1 390mm L2 340mm ø 6mm connection eye		
For models:	6Q		

1 


Part No.	416562	Ref. No.	IGS402SF	
description	heating coil 700W 110V for quartz tube L1 510mm L2 460mm ø 6mm connection eye			
accessories for	416562			
	Part No.	416561	Ref. No.	IGS660SF
	quartz tube WV L 515mm tube ø 10mm			

1 


Part No.	693096	Ref. No.	IB5906800 IGS630SF
description	insulator complete ø 13mm bore ø 5.2mm		
For models:	ROLLER		

1 


Part No.	416481	Ref. No.	IGS660T04
description	quartz tube L 270mm ID ø 8.5mm ED ø 11.5mm		
For models:	4Q		

1 

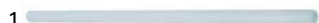
Part No.	418583	Ref. No.	IB3506900
description	quartz tube WV L 255mm tube ø 11mm		

1 

Part No.	416486	Ref. No.	IB3506800
description	quartz tube WV L 337mm tube ø 11mm		
For models:	ROLLER		


1 

Part No.	416483	Ref. No.	IGS660T06
description	quartz tube WV L 390mm tube ø 11mm		
For models:	12Q, 6Q		

1 

Part No.	416561	Ref. No.	IGS660SF	
description	quartz tube WV L 515mm tube ø 10mm			
accessories for	416561			
	Part No.	416562	Ref. No.	IGS402SF
	heating coil 700W 110V for quartz tube L1 510mm L2 460mm ø 6mm connection eye			

heating elements for convection


1 

Part No.	418267	Ref. No.	FPRES30003	
description	heating element 2500W 230V heating circuits 1 ID ø 181mm ED ø 193mm L 208mm H 30mm L1 10mm W1 30mm H1 6mm H2 24mm flange length 70mm flange width 22mm hole distance 56mm connection male faston 6.3mm tube ø 6.3mm convection heating element hole ø 5mm rectangular flange			
spare parts for	418267			
	Part No.	510368	Ref. No.	—
	gasket L 70mm W 23.5mm hole ø 5mm hole distance 56mm FIBER thickness 2mm for heating element			

energy regulators


EGO

1-circuit

1 

Part No.	380015	Ref. No.	ATHD073010 IGS445SF RCSG230
description	energy regulator 230V 13A single-circuit turn direction right shaft ø 6x4.6mm shaft L 23mm mounting thread M4 power release 6-100% no. 50.57021.010		

DIAMOND

1 

Part No.	380032	Ref. No.	IB5256500 IGS804403
description	energy regulator 230V 13.5A turn direction right shaft ø 6x4.6mm shaft L 23mm mounting thread M4 equiv. no. 45ER104C1		
For models:	SALAMANDRA PRO 1/1G CE		



thermostats

control and safety thermostats

IMIT / TEMPOMATIC / ARTERMO

control thermostats

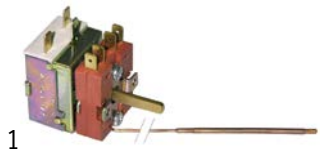


Part No.	375399	Ref. No.	IB5866400
description	thermostat t.max. 300°C temperature range 50-300°C 1-pole 1CO 15A probe ø 4mm probe L 97mm capillary pipe 900mm capillary pipe isolatedmm gland nut shaft ø 6x4.6mm shaft L 19mm shaft position upper rotation 270°		



Part No.	375847	Ref. No.	IV5863500
description	thermostat t.max. 90°C temperature range 0-90°C 1-pole 1CO 15A probe ø 6.5mm probe L 100mm capillary pipe 1500mm capillary pipe isolatedmm gland nut shaft ø 6x4.6mm shaft L 18mm shaft position +135° rotation 270° 250V		

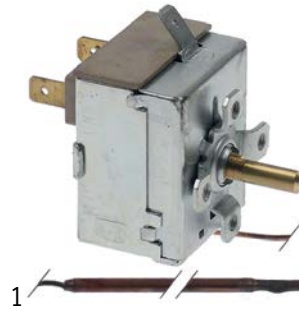
control thermostats with operation switch



Part No.	390139	Ref. No.	IGS460
description	thermostat t.max. 270°C temperature range 63-270°C 1-pole 1CO 15A probe ø 3.5mm probe L 195mm capillary pipe 1000mm capillary pipe isolatedmm gland nut shaft ø 6x4.6mm shaft L 17mm shaft position upper° rotation 270°		

TECASA

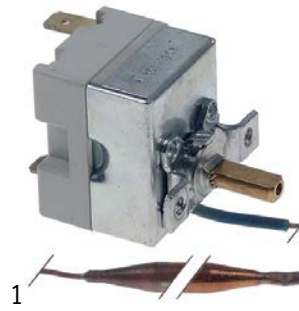
control thermostats



Part No.	375986	Ref. No.	IGS104023 IGS704203
description	thermostat t.max. 310°C temperature range 50-310°C 1-pole 1NO 16A probe ø 3.5mm probe L 195mm capillary pipe 900mm capillary pipe isolated 20mm gland nut shaft ø 6x4.6mm shaft L 18mm shaft position upper rotation 270° 230V suitable for IMIT		
For models:	CREPIERA TONDA		

various

control thermostats



Part No.	375904	Ref. No.	IB5866000
description	thermostat t.max. 90°C temperature range 0-90°C 1-pole 1NO 16A probe ø 6.5mm probe L 85mm capillary pipe 970mm capillary pipe isolatedmm gland nut shaft L 15mm shaft position upper° rotation 270° probe material copper ambient temperature max. 150°C		
For models:	VETRINETTA 38		

switches and momentary switches



rocker/momentary rocker switches



28x13.5mm






Part No.	346957	Ref. No.	KODK005
description	rocker switch mounting measurements 28x13.5mm green 1NO 250V 6A illuminated ON-OFF connection male faston 6.3mm ambient temperature max. 85°C protection IP40		





30x22mm			
 <p>1</p>			
Part No.	301002	Ref. No.	IB5806000
description	rocker switch mounting measurements 30x22mm orange 2NO 250V 16A illuminated 0-I connection male faston 6.3mm ambient temperature max. 85/125°C protection IP65		
For models:	VETRINETTA 38		
accessories for	301002		
	Part No.	301036	Ref. No. —
protective cover internal size 30x22mm for rocker switch mounting measurementsmm			


 <p>1</p>			
Part No.	301009	Ref. No.	IV5806001
description	rocker switch mounting measurements 30x22mm white 2NO 250V 16A illuminated 0-I connection male faston 6.3mm ambient temperature max. 125/55°C protection IP65		
accessories for	301009		
	Part No.	301036	Ref. No. —
protective cover internal size 30x22mm for rocker switch mounting measurementsmm			


 <p>1</p>			
Part No.	348090	Ref. No.	29410101
description	rocker switch mounting measurements 30x22mm white 2CO 250V 16A for mincer arrow connection male faston 6.3mm ambient temperature max. 100/55°C protection IP40		

labelled			
 <p>1</p>			
Part No.	346868	Ref. No.	19410101 19410102
description	rocker switch mounting measurements 30x22mm white 2NO 250V 16A illuminated 0-I connection male faston 6.3mm ambient temperature max. 125/55°C protection IP65 with cover cap		
For models:	PERLA 220 CE DOM, PERLA 250 CE DOM		
accessories for	346868		
	Part No.	301036	Ref. No. —
protective cover internal size 30x22mm for rocker switch mounting measurementsmm			




push/momentary push switches			
ø11mm			
 <p>1</p>			
Part No.	347060	Ref. No.	IV5820010
description	push button mounting ø M11x1mm black 1NO 250V 16A connection male faston 6.3mm ambient temperature max. 125°C with plunger actuating force: 200g type CM thread L 14mm		
For models:	TV-TM INOX, TV-TM INOX07		

ø19.2mm			
 <p>1</p>			
Part No.	346414	Ref. No.	LF1041001
description	momentary push switch mounting ø 19.2mm silver 1NC/1NO 250V 5A SS connection soldering connection ambient temperature max. 85°C protection IP40		

 <p>1</p>			
Part No.	346415	Ref. No.	LF1041000
description	momentary push switch mounting ø 19.2mm silver 1NO 50V 0.05A with LED connection soldering connection ambient temperature max. 85°C protection IP40		

 <p>1</p>			
Part No.	347650 ¹	Ref. No.	LF1041015
description	momentary push switch mounting ø 19.2mm SS 1NO 24V 0.05A with LED connection male faston 6.3mm ambient temperature max. 85°C protection IP40 SS cable length 800mm		

¹illuminated by LED

ø22mm			
 <p>1</p>			
Part No.	401357	Ref. No.	MF2138
description	momentary push switch mounting measurements ø22mm 1NO/1NC/indicator light 400V 4A indicator lamp 24V 0-I connection screw ambient temperature max. 125/55°C protection IP40		
For models:	TC22E CE, TCG 22 E CE		
spare parts for	401357		
	Part No.	346181	Ref. No. —
push button mounting ø 21mm external size 30x55mm oval			
accessories for	401357		
	Part No.	401709	Ref. No. —
protective cover external size 57x32mm internal size 47x22mm matt finish rubber H 27.5mm			



overload switches



1

Part No.	347067	Ref. No.	19410152
description	push switch KJD17 mounting measurements 45x22mm black/white 2NO/A1 250V 10A I O connection male faston 4.8mm/6.3mm ambient temperature max. 85°C protection IP54 with cover cap		




1

Part No.	348137	Ref. No.	19410152 CINPKJD17
description	push switch KLD-28A mounting measurements 45x22mm green/red 2NO/A1 250V 16A I O connection male faston 2.8mm/6.3mm ambient temperature max. 85°C protection IP55 with cover cap		

miscellaneous




1

Part No.	346955	Ref. No.	IB5804402
description	momentary push switch mounting measurements 29x29mm black 1NO 250V 6A connection screw VORTEX		
For models:	VORTEX 43, VORTEX 55, VORTEX 75		
accessories for	346955		
	Part No.	346960	Ref. No. IB4104002
	protection cap for push-button L 45mm W 21mm		



1

Part No.	346959	Ref. No.	IB5804403
description	momentary push switch mounting measurements 29x29mm red 1NO 250V 6A connection screw CICLONE		
For models:	CICLONE 15VV CE, CICLONE 23 CE		
accessories for	346959		
	Part No.	346958	Ref. No. IB4104102
	protection cap L 45mm W 21mm		

accessories

frame




1

Part No.	346252	Ref. No.	19563171
description	frame external size 36x65mm internal size 30x22mm black plastic mounting distance 54mm		
For models:	PERLA 220 CE DOM, PERLA 250 CE DOM		

protective covers




1

Part No.	346960	Ref. No.	IB4104002
description	protection cap for push-button L 45mm W 21mm		
For models:	VORTEX 43, VORTEX 55, VORTEX 75		
accessories for	346960		
	Part No.	346955	Ref. No. IB5804402
	momentary push switch mounting measurements 29x29mm black 1NO 250V 6A connection screw VORTEX		



1

Part No.	346958	Ref. No.	IB4104102
description	protection cap L 45mm W 21mm		
For models:	CICLONE 15VV CE, CICLONE 23 CE		
accessories for	346958		
	Part No.	346959	Ref. No. IB5804403
	momentary push switch mounting measurements 29x29mm red 1NO 250V 6A connection screw CICLONE		

microswitches

universal




1

Part No.	348046	Ref. No.	PANE61424LOAG PANE6142-F60
description	microswitch with plunger 250V 16A 1CO connection male faston 4.8mm Lmm L1 27.8mm ambient temperature max. 125°C mounting distance 22mm with lever set type MS1-16 actuating force: 100g white		



CROUZET



1


Part No.	345042	Ref. No.	IB5820800
description	microswitch with plunger 250V 16A 1CO connection male faston 6.3mm L 28mm ambient temperature max. 125°C mounting distance 22mm type EF83161.3 actuating force: 75g blue/black		
For models:	DRAGONE CE		
accessories for	345042		
	Part No.	345043	Ref. No.
			—
	lever set 5-piece		



1

Part No.	348043	Ref. No.	MSC04N262
description	microswitch with plunger 250V 16A 1CO connection male faston 6.3mm Lmm L1 27.8mm ambient temperature max. 125°C mounting distance 22mm with lever set type MS1-16 actuating force: 100g white		
For models:	C9VV CE		


lever actuated



1

Part No.	347010	Ref. No.	IB5820700
description	microswitch with lever 250V 16A 1CO connection male faston 4.8mm L 36mm ambient temperature max. 105°C mounting distance 22mm type D3V-16G443-1C25-K actuating force: 50g lever length 28mm		
For models:	APOLLO CE		

roller-lever actuated
microswitches




1

Part No.	346893	Ref. No.	MSC04N292
description	microswitch with handle with a switch 250V 16A 1CO connection male faston 6.3mm ambient temperature max. 125°C mounting distance 22mm white		
For models:	C9VV CE		

pin-plunger actuated


CROUZET



1


Part No.	345042	Ref. No.	IB5820800
description	microswitch with plunger 250V 16A 1CO connection male faston 6.3mm L 28mm ambient temperature max. 125°C mounting distance 22mm type EF83161.3 actuating force: 75g blue/black		
For models:	DRAGONE CE		
accessories for	345042		
	Part No.	345043	Ref. No.
			—
	lever set 5-piece		

M10



1


Part No.	345678	Ref. No.	19410201
description	microswitch with plunger thread M10x0.75 thread L 16mm 250V 16A 1NO connection male faston 6.3mm stroke 2.5mm mounting distance 22mm ambient temperature max. 125°C actuating force: 290g		
For models:	PERLA 220 CE DOM, PERLA 250 CE DOM		
accessories for	345678		
	Part No.	100779	Ref. No.
			—
	nut thread M10x0.75 H 3mm WS 14 SS Qty 2 pcs		



1

Part No.	345032	Ref. No.	MSC04N276
description	microswitch with plunger thread M10x1 thread L 12mm 250V 16A 1CO connection male faston 6.3mm stroke 7mm mounting distance 22mm L 28mm ambient temperature max. 125°C type SP9603 actuating force: 180g		
For models:	C9VV CE		


accessories



1

Part No.	698204	Ref. No.	MSC04N264
description	bracket for microswitch C4-C6		
For models:	C9VV CE		




			
1			
Part No.	347061	Ref. No.	MSC04N274
description	spacer ring for microswitch ID ø 10mm ED ø 14mm thickness 4mm		
For models:	C9VV CE		

rotary switches


BREMAS

CQ016R series


			
1			
Part No.	346592	Ref. No.	19410160
description	rotary switch 2 0-1 sets of contacts 2 400V 20A shaft ø 5x5mm shaft L 16mm shaft square with knob connection screw		


GIOVENZANA


rotary switches


			
1			
Part No.	347733	Ref. No.	LF1033001
description	rotary switch 3 1-0-2 momentary sets of contacts 6 6909V 16A shaft ø 7x8mm shaft L 15mm shaft square connection screw		


TECNOMATIC


			
1			
Part No.	348152	Ref. No.	MF2365
description	rotary switch 1-0-2 momentary 3 type HD1237R922 600V 12A shaft ø 5x5mm shaft L 22mm		

			
1			
Part No.	345993	Ref. No.	IB5806805
description	rotary switch 2 0-1 sets of contacts 2 600V 25A shaft ø 5x5mm shaft square connection screw		
For models:	ROLLER		

			
1			
Part No.	346239	Ref. No.	MF2365 old version
description	rotary switch 3 1-0-2 momentary sets of contacts 5 type HD1237R921-L5 600V 12A shaft ø 6mm shaft L 22mm shaft round connection male faston 6.3mm		

			
1			
Part No.	346238	Ref. No.	MF2364
description	rotary switch 3 1-0-2 momentary sets of contacts 6 type HD1249R922 600V 12A shaft ø 5x5mm shaft L 23mm shaft square connection screw		

			
1			
Part No.	345994	Ref. No.	IB5806800
description	rotary switch 5 0-1-2-3-4 sets of contacts 4 type HD16G014F112 600V 16A shaft ø 5x5mm shaft L 23mm shaft square connection screw		
For models:	ROLLER		

			
1			
Part No.	347875	Ref. No.	IB5806820
description	rotary switch 5 0-1-2-3-4 sets of contacts 6 type HD16G014F112 600V 16A shaft ø 5x5mm shaft L 23mm shaft square connection screw ED ø 43mm L 80mm		

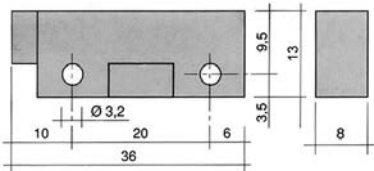



magnetic switches

36x13mm



1



Part No.	345335	Ref. No.	IV5820000 MF2362
description	magnetic switch L 36mm W 13mm 1NO 250V 0.04A P max. 10W connection cable cable length 960mm		
For models:	TCG 22 E CE, TV-TM INOX, TV-TM INOX07		
accessories for	345335		
	Part No.	519049	Ref. No. —
	magnet ømm L 63mm H 10.7mm W 18.8mm hole distance 52mm M2 hole ø 2mm		

40x13mm



1

Part No.	300273	Ref. No.	LF1010005
description	magnetic switch L 40mm W 13mm 1NO 250V 1A P max. 50W connection cable cable length 1180mm		

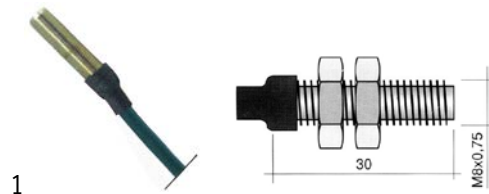
ø 6mm



1

Part No.	345967	Ref. No.	RG04094
description	magnetic switch 250V 1A P max. 50W probe L 29mm 1NO connection cable cable length 3000mm		
For models:	PP EXPO 4 CE, PP EXPO 8 CE		

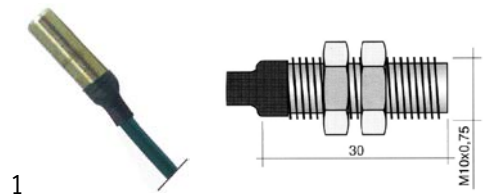
M8x0.75




1

Part No.	345631	Ref. No.	RG04224
description	magnetic switch thread M8x0.75 1NO 250V 1A P max. 50W connection cable cable length 2000mm		
For models:	PP EXPO 4 CE, PP EXPO 8 CE		

M10x0.75



1

Part No.	345632	Ref. No.	IV5820510
description	magnetic switch thread M10x0.75 1NO 250V 0.5A P max. 50W connection cable cable length 2000mm type 102		
For models:	TC 12 MAGNUM INGRANAGGI CE		
accessories for	345632		
	Part No.	100779	Ref. No. —
	nut thread M10x0.75 H 3mm WS 14 SS Qty 2 pcs		

accessories

magnets


1

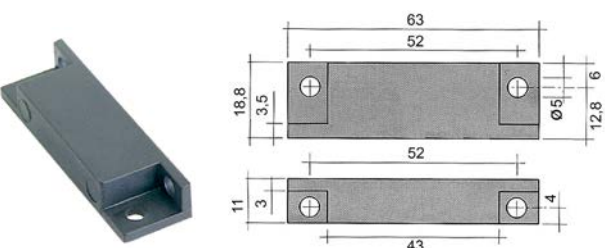
Part No.	346392	Ref. No.	MF0292
description	magnet		
For models:	GF, GP		


1

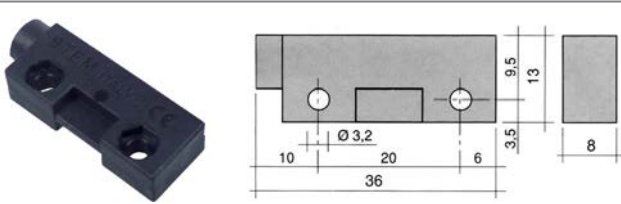
Part No.	346393	Ref. No.	MF0295
description	magnet		
For models:	GF, GP		



			
1			
Part No.	691178	Ref. No.	IB5823050 IV5823050
description	magnet \varnothing 22mm Lmm H 7mm Wmm ED \varnothing 22mm M5		
For models:	PP EXPO 4 CE, PP EXPO 8 CE		

			
1			
Part No.	345336	Ref. No.	IV5820050
description	magnet \varnothing 4.8mm L 63mm H 11mm W 18.8mm hole distance 51mm M4		
For models:	TV-TM INOX, TV-TM INOX07		


			
1			
Part No.	346891	Ref. No.	RG08054
description	magnet \varnothing 6mm L 25mm		
For models:	PP EXPO 4 CE, PP EXPO 8 CE		




			
1			
Part No.	345398	Ref. No.	RG04146
description	magnet \varnothing mm L 36mm H 8mm W 13mm hole distance 20mm M3 hole \varnothing 3mm		


control equipment


GIOVENZANA

switches (complete)


			
1			
Part No.	346490	Ref. No.	LF1034002 RG04300 RG04300+RG04328
description	emergency stop switch mounting measurements \varnothing 22mm red 1NC complete		
For models:	PP EXPO 4 CE, PP EXPO 8 CE		

			
1			
Part No.	401357	Ref. No.	MF2138
description	momentary push switch mounting measurements \varnothing 22mm 1NO/1NC/indicator light 400V 4A indicator lamp 24V 0-I connection screw ambient temperature max. 125/55°C protection IP40		
For models:	TC22E CE, TCG 22 E CE		
spare parts for	401357		
	Part No.	346181	Ref. No.
			—
	push button mounting \varnothing 21mm external size 30x55mm oval		
accessories for	401357		
	Part No.	401709	Ref. No.
			—
	protective cover external size 57x32mm internal size 47x22mm matt finish rubber H 27.5mm		


			
1			
Part No.	346545	Ref. No.	LF1034001 PPRN2CL RG04356
description	push button mounting measurements \varnothing 22mm green 1NO complete with protecting cover		
For models:	PP EXPO 4 CE, PP EXPO 8 CE		


			
1			
Part No.	346513	Ref. No.	LF1010705 RG04354
description	push button mounting measurements \varnothing 22mm red 1NC complete with protecting cover		
For models:	PP EXPO 4 CE, PP EXPO 8 CE		


encoders and potentiometers

			
1			
Part No.	401953	Ref. No.	IB5944010
description	PCB hand blenders VORTEX with potentiometer 230V		
For models:	VORTEX 43, VORTEX 55, VORTEX 75		



 <p>1</p>			
Part No.	300362	Ref. No.	19414060N IB5940920
description	potentiometer 0.1KOhm rotation 270° shaft ø 6mm confectioned shaft L 42mm thread M10 cable length 28mm Orione		
For models:	C9VV CE, ORIONE CE		

 <p>1</p>			
Part No.	300227	Ref. No.	IB5940011
description	potentiometer 0.1KOhm rotation 270° shaft ø 6mm shaft L 42mm thread M10 cable length 600mm		

 <p>1</p>			
Part No.	300130	Ref. No.	IB5946815
description	potentiometer 4KOhm toaster		
For models:	ROLLER		


lamps


indicator lights

indicator lights (complete)


ø10mm


with screw socket


 <p>1</p>			
Part No.	357001	Ref. No.	IGS716033
description	indicator light ø 10mm 230V yellow/red temp.-resist. 120°C with protecting cover		
For models:	CREPIERA TONDA		

 <p>1</p>			
Part No.	359986	Ref. No.	IGS716023
description	indicator light ø 10mm 250V yellow connection male faston 6.3mm		
For models:	CREPIERA TONDA		

with plug-in socket


 <p>1</p>			
Part No.	359232	Ref. No.	IGS422T12
description	indicator light ø 10mm clear 230V connection male faston 2.8mm Qty 1 pcs		
For models:	12Q		

 <p>1</p>			
Part No.	359138	Ref. No.	MF2192
description	indicator light ø 10mm red 230V connection male faston 6.3mm Qty 1 pcs		
For models:	TC22E CE, TCG 22 E CE		


 <p>1</p>			
Part No.	359140	Ref. No.	IB5846400 RCSG236
description	indicator light ø 10mm yellow 230V connection male faston 6.3mm Qty 1 pcs		
For models:	SALAMANDRA PRO 1/1G CE, VETRINETTA 38		


ø12mm

with screw socket

 <p>1</p>			
Part No.	359027	Ref. No.	ATHD076005
description	indicator light ø 12mm 250V green connection male faston 6.3mm		

30x22mm

 <p>1</p>			
Part No.	359154	Ref. No.	IGS422
description	indicator light mounting measurements 30x22mm 230V white connection male faston 6.3mm temp.-resist. 125/55°C type RL2		

 <p>1</p>			
Part No.	301138	Ref. No.	IGS422SF
description	indicator light mounting measurements 30x22mm 230V red/green connection male faston 6.3mm temp.-resist. 125/55°C type RL2		



miscellaneous



1

Part No.	359851	Ref. No.	KODK006
description	indicator light mounting measurements 32.5x8.5mm white 230V		

screw-on/push-on fit

light bulbs

for ovens



1

Part No.	359610	Ref. No.	IB5946010
description	light bulb t.max. 300°C socket E14 15W 230V ø 22mm L 47mm lens L 20mm for oven lamp type Philips		
For models:	VETRINETTA 38		



oven lamps

universal oven lamps

mounting diameter 35.5mm



1

Part No.	359718	Ref. No.	IB5846000	
description	oven lamp mounting ø 35.5mm 230V 15W socket E14 temp.-resist. 300°C connection male faston 6.3mm hard glas			
For models:	VETRINETTA 38			
spare parts for	359718			
	Part No.	359701	Ref. No.	—
	lamp socket socket E14 220-230V mounting ø 35.5mm connection male faston 6.3mm 15W			
	Part No.	359740	Ref. No.	—
	light bulb t.max. 300°C socket E14 15W 230V ø 22mm L 48mm lens L 20mm for oven lamp IMPORT			

lamps

light bulbs

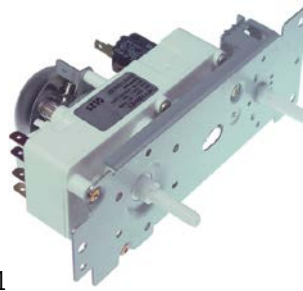


1

Part No.	359610	Ref. No.	IB5946010
description	light bulb t.max. 300°C socket E14 15W 230V ø 22mm L 47mm lens L 20mm for oven lamp type Philips		
For models:	VETRINETTA 38		

timers

programme timers





1

Part No.	360376	Ref. No.	E6001806BP
description	timer		

mechanical timers



1


Part No.	350176	Ref. No.	RG04342	
description	timer C20 2-pole operation time 5min 2NO at 250V 16A permanent position no shaft ø 6x4.6mm shaft 6x4.6mm shaft L 20mm mounting distance 28mm			
accessories for	350176			
	Part No.	110366	Ref. No.	IB4206400
	knob switch zero mark t.max.°C ø 44mm shaft ø 6x4.6mm shaft flat upper black			
	Part No.	112138	Ref. No.	—
	dial plate graduation 5min permanent position no rotation 0-290° ø 60mm			





1


Part No.	350128 ¹	Ref. No.	RG04342
description	timer C20 2-pole operation time 5min 2NO at 250V 16A shaft ø 6x4.6mm shaft L 20mm mounting distance 28mm		

¹incl. knob


1

Part No.	350179	Ref. No.	IV5966010
description	timer G 2-pole operation time 5min impulse mechanical 2NO at 250V 16A permanent position no shaft ø 3.5x3.5mm shaft 3.5 x 3.5mm shaft L 17mm mounting distance 28mm connection lateral		
accessories for	350179		
	Part No.	110365	Ref. No. —
	knob switch zero mark t.max.°C ø 44mm shaft ø 3.5x3.5mm shaft flat black		
	Part No.	112913	Ref. No. —
	dial plate graduation 5min permanent position no rotation 30-330° ø 60mm suitable for timers ø60mm		






1

Part No.	350130	Ref. No.	FP6111300001
description	timer M11 with bell 1-pole operation time 120min impulse mechanical 1NO at 250V 16A permanent position yes shaft ø 6x4.6mm shaft L 23mm mounting distance 28mm mounting thread M4 connection male faston 6.3mm 4 hole fixing shaft flat upper		



1


Part No.	350032	Ref. No.	IBSP66400 IGS440
description	timer M2 2-pole operation time 15min impulse mechanical 2NO at 250V 16A permanent position no shaft ø 6x4.6mm shaft 6x4.6mm shaft L 18mm mounting distance 28mm connection rear		
For models:	12Q, 4Q, 6Q		
accessories for	350032		
	Part No.	110366	Ref. No. IB4206400
	knob switch zero mark t.max.°C ø 44mm shaft ø 6x4.6mm shaft flat upper black		
	Part No.	110371	Ref. No. —
	dial plate graduation 15min permanent position no rotation 30-330° ø 60mm timers knob ø 45mm		



1

Part No.	350192	Ref. No.	RGE04030
description	timer M2 3-pole operation time 4min impulse mechanical 3NO at 250V 16A permanent position no shaft ø 6x4.6mm shaft 6x4.6mm shaft L 22mm mounting distance 28mm mounting thread M4 connection male faston 6.3mm		

audible timers




1

Part No.	350014	Ref. No.	IGS450
description	audible timer operation time 15min ø 56mm shaft ø 6x4.6mm shaft L 24mm mounting distance 28mm		

spare parts and accessories

knobs



1


Part No.	110366	Ref. No.	IB4206400
description	knob switch zero mark t.max.°C ø 44mm shaft ø 6x4.6mm shaft flat upper black		

solid state relays

accessories

diodes

high voltage diodes



1

Part No.	358161	Ref. No.	PA62024000AP
description	hv diode type 2X062+HVR-1X connection F6.3mm / lug M4 cable lengthmm for microwave		



magnetrons



1

Part No.	402123	Ref. No.	P2M210-M1GL
description	Magnetron PANASONIC type 2M210M1 for microwaves		



1

Part No.	402845	Ref. No.	2M244-M1GL 2M244M23 P2M244-M1GL
description	Magnetron PANASONIC type 2M244-M23		

probes

universal probes

temperature probes

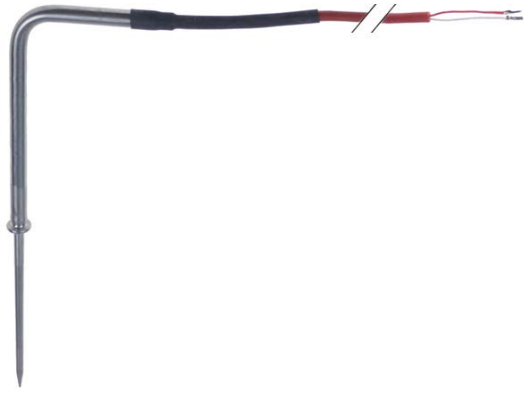


1

Part No.	379064	Ref. No.	OSC042657
description	temperature probe PTC 1kOhm cable silicone probe -50 up to +150°C cable -50 up to +180°C probe ø6x40mm cable length 3m without screw connection 2-wire		

producer-specific probes

core probes



1

Part No.	379707	Ref. No.	AF74700998
description	core temperature probe cable silicone cable -50 up to +180°C connection 2-wire probe ø5x100mm thread cable length 3m handle ø 8mm handle length 120mm		

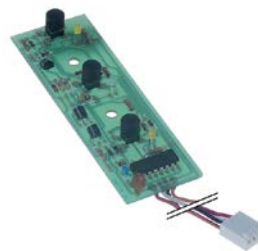


1

Part No.	381445	Ref. No.	AF74700945
description	core temperature probe PTC cable silicone probe -50 to +120°C cable -50 up to +180°C connection 2-wire probe ø6x110mm thread cable length 2.5m handle ø 9mm handle length 80mm		

electronics

PCBs




1

Part No.	401731	Ref. No.	IB5940915
description	control PCB drink mixer Orione 230V		
For models:	ORIONE CE		


1

Part No.	401381	Ref. No.	19411005
description	keypad PCB		


1

Part No.	697124	Ref. No.	MF2141
description	PCB 230/400V		
For models:	TC22E CE, TCG 22 E CE		




1

Part No.	401730	Ref. No.	IB5940800
description	PCB drink mixer Dragone 50/60Hz 230V		
For models:	DRAGONE CE		




1

Part No.	401733	Ref. No.	KOKD020
description	PCB 230V		




1

Part No.	401732	Ref. No.	IB5940910
description	PCB drink mixer Orione 50Hz 230V		
For models:	ORIONE CE		




1

Part No.	401734	Ref. No.	IB5940700
description	PCB 230V		




1

Part No.	401729	Ref. No.	IB5940005
description	PCB drink mixer Sirio 50/60Hz 110-250V 1.5A		
For models:	SIRIO 1 GDO CE, SIRIO 2 GDO CE		




1

Part No.	400957	Ref. No.	IB5946810
description	PCB conveyor toaster TOC		
For models:	ROLLER		



1


Part No.	401728	Ref. No.	IB5940000
description	PCB drink mixer Sirio 50/60Hz 120/240V 1.6A		
For models:	SIRIO 1 GDO CE, SIRIO 2 GDO CE		







1


Part No.	401727	Ref. No.	19413007
description	PCB cutter C4-C6 230V		
For models:	C9VV CE		





			
1			
Part No.	401384	Ref. No.	LF1033010
description	PCB for mincer 230/400V		


			
1			
Part No.	403515	Ref. No.	IB5940702
description	PCB fruit squeezer APOLLO L 111mm W 56mm 230V		
For models:	APOLLO CE		


			
1			
Part No.	300367	Ref. No.	IB5944014
description	PCB hand blenders CICLONE with potentiometer 230V		
For models:	CICLONE 15VW CE		
accessories for	300367		
	Part No.	111235	Ref. No. IB4200705
	Part No.	401954	Ref. No. —
			control PCB


			
1			
Part No.	401953	Ref. No.	IB5944010
description	PCB hand blenders VORTEX with potentiometer 230V		
For models:	VORTEX 43, VORTEX 55, VORTEX 75		


			
1			
Part No.	403439	Ref. No.	LF1033031
description	PCB meat mincer 12 230/400V		

			
1			
Part No.	401738	Ref. No.	IV5940505T
description	PCB meat mincer Mod.12 230/400V type TGM7-L		
For models:	TC 12 MAGNUM INGRANAGGI CE		

			
1			
Part No.	403890	Ref. No.	29411002+19702005
description	PCB meat mincer TGM7 230/400V		


			
1			
Part No.	401561	Ref. No.	IV5940500 MF2140
description	PCB meat mincer/cheese grater Mod.12-22 230V		

			
1			
Part No.	401359	Ref. No.	MF0160
description	PCB meat mincer/cheese grater T12 230V		


1

Part No.	401385	Ref. No.	LF1033020
description	PCB Mod.12 230/400V type TGM7		
For models:	TC 12 MAGNUM INGRANAGGI CE		




1

Part No.	403315	Ref. No.	19411000.06
description	PCB slicer CANOVA L 128mm W 42mm H 42mm		




1

Part No.	401360	Ref. No.	MF0159
description	PCB Mod.12 400V		






1

Part No.	403007	Ref. No.	19411000 19411000.12
description	PCB slicer GEMMA 300 400V		




1

Part No.	400955	Ref. No.	19411008
description	PCB slicer 230/400V		
For models:	C9VV CE, CICLONE ASTA 35cm 0,15/0,23kW, TV-TM INOX, TV-TM INOX07		
accessories for	400955		
	Part No.	401357	Ref. No. MF2138
	momentary push switch mounting measurements ø22mm 1NO/1NC/indicator light 400V 4A indicator lamp 24V 0-1 connection screw ambient temperature max. 125/55°C protection IP40		
	Part No.	401709	Ref. No. —
	protective cover external size 57x32mm internal size 47x22mm matt finish rubber H 27.5mm		



1

Part No.	400954	Ref. No.	19411007
description	PCB slicer/cutter 50/60Hz 230V		
For models:	C9VV CE, CICLONE ASTA 35cm 0,15/0,23kW, TV-TM INOX, TV-TM INOX07		



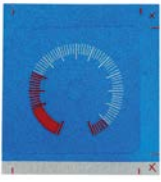
1

Part No.	401613	Ref. No.	RG04232
description	power PCB PP4-PP8-PP15 Expo 230/400V type TASF99		
For models:	PP EXPO 4 CE, PP EXPO 8 CE		



keypads

front foils



1

Part No.	696452	Ref. No.	MSC04V238
description	front foil cutter C9VV CE blue L 60mm W 60mm		
For models:	C9VV CE		



1

Part No.	401740	Ref. No.	MSC04V238old
description	front foil grey L 60mm W 60mm		



1

Part No.	401741	Ref. No.	RG04348
description	front foil potato peeler PP4-PP8-PP15 Expo black L 139mm W 99mm		
For models:	PP EXPO 4 CE, PP EXPO 8 CE		

1

Part No.	401376	Ref. No.	19420168
description	keypad foil		

1

Part No.	401383	Ref. No.	19420165
description	keypad foil		



1

Part No.	401379	Ref. No.	LF1039210
description	keypad foil L 170mm W 170mm buttons 3		

1

Part No.	401739	Ref. No.	IB4100930
description	keypad foil Orione for mixer grey L 160mm W 34mm buttons 3		
For models:	ORIONE CE		

keypad units

1

Part No.	401374	Ref. No.	LF1033010A
description	keypad unit		

1

Part No.	403001	Ref. No.	LF1007001 LF1010027
description	keypad unit bone saw SO1650/SO2020 L 120mm W 49mm with cable		

1

Part No.	401737	Ref. No.	19702021
description	keypad unit buttons 2 blue L 130mm W 41mm		
For models:	C9VV CE, CICLEONE ASTA 35cm 0,15/0,23kW, TV-TM INOX, TV-TM INOX07		



1

Part No.	403005	Ref. No.	19702036
description	keypad unit buttons 2 L 130mm W 41mm		

1

Part No.	401736	Ref. No.	19702022
description	keypad unit buttons 2 white L 130mm W 41mm		
For models:	C9VV CE, CICLONE ASTA 35cm 0,15/0,23kW, TV-TM INOX, TV-TM INOX07		

1

Part No.	401377	Ref. No.	LF1033011
description	keypad unit L 130mm W 41mm		

1

Part No.	401735	Ref. No.	LF1033021
description	keypad unit meat mincer TC12 buttons 3 cable length 90mm L 130mm W 41mm cable colours brown/yellow/grey/green/pink/white		
For models:	TC 12 MAGNUM INGRANAGGI CE		
accessories for	401735		
	Part No.	Ref. No.	19563034
	401373		
	gasket for keypad housing L 135mm W 50mm		

1

Part No.	401378	Ref. No.	IV5940515T
description	keypad unit meat mincer TC12 edition since year of construction 2005 L 130mm W 41mm complete		
For models:	TC 12 MAGNUM INGRANAGGI CE		

1

Part No.	403006	Ref. No.	19702034
description	keypad unit slicer BAYONNE/CANOVA buttons 2 L 130mm W 41mm		

1

Part No.	401694	Ref. No.	19702004
description	keypad unit slicer BAYONNE/CICLONE/SAN-DANIELE buttons 2 L 130mm W 41mm		
For models:	C9VV CE, CICLONE ASTA 35cm 0,15/0,23kW, TV-TM INOX, TV-TM INOX07		
accessories for	401694		
	Part No.	Ref. No.	19563034
	401373		
	gasket for keypad housing L 135mm W 50mm		

1

Part No.	403002	Ref. No.	19702000
description	keypad unit slicer buttons 2 MIRRA/SAN-DANIELE/YORK L 120mm W 48mm		
accessories for	403002		
	Part No.	Ref. No.	19563030
	403004		
	gasket for keypad housing L 122mm W 52mm		

1

Part No.	403003	Ref. No.	19702002
description	keypad unit slicer GEMMA 300/350 buttons 2 L 150mm W 55mm		
accessories for	403003		
	Part No.	Ref. No.	19563032
	401380		
	gasket for keypad housing L 150mm W 60mm		

accessories

1

Part No.	403004	Ref. No.	19563030
description	gasket for keypad housing L 122mm W 52mm		

1

Part No.	401373	Ref. No.	19563034
description	gasket for keypad housing L 135mm W 50mm		
For models:	C9VV CE, CICLONE ASTA 35cm 0,15/0,23kW, TC 12 MAGNUM INGRANAGGI CE, TV-TM INOX, TV-TM INOX07		

1

Part No.	401380	Ref. No.	19563032
description	gasket for keypad housing L 150mm W 60mm		



1

Part No.	401375	Ref. No.	19563118
description	keypad housing		

1

Part No.	401382	Ref. No.	19563116
description	keypad housing		


fans

axial fans

ebm-papst



1

Part No.	601038 ¹	Ref. No.	IB5036830
description	axial fan L 80mm W 80mm H 38mm 230VAC 50/60Hz 12W bearing ball bearing manuf. no. 8556N metal connection cable 300mm ebmpapst fan wheel ø 75mm temp.-resist. 90°C airflow 50m³/h		
For models:	ROLLER		
accessories for	601038		
	Part No.	691102	Ref. No. —
	guard ø 75mm mounting distance 71mm for axial fan 80mm		


¹with ball bearings

refrigeration fans

cold air circulating fans (complete)



1

Part No.	601964	Ref. No.	OSC649130
description	fan A2E250AM06-12 fan wheel ø 250mm blades 9 230V 50/60Hz 115/150W ø 250mm 2450rpm cable length 1400mm sucking suitable capacitor 3µF		
spare parts for	601964		
	Part No.	365137	Ref. No. —
	capacitor capacity 3µF 450V tolerance 5% 50/60Hz ambient temperature max. -25 to +85°C ø 25mm L 56mm M8 plastic connection cable 250mm 416.17.77GF protection		

motors

gear motors

miscellaneous




1

Part No.	500488	Ref. No.	IB5036800
description			
For models:	ROLLER		




1

Part No.	500730	Ref. No.	IB9865132
description	gear motor CIARAMELLA 150W 230V voltage DC 50/60Hz shaft ø 14mm L 205mm W 115mm H 80mm for citrus juicers		
For models:	APOLLO CE		

1

Part No.	500932	Ref. No.	IB5036000
description	gear motor CROUZET 3.5W 230V 50Hz shaft \varnothing 8mm L 80mm W 60mm H 40mm for pizza display		
For models:	VETRINETTA 38		


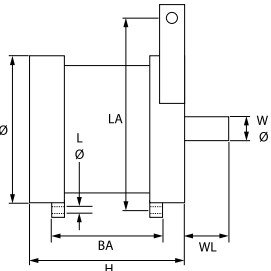


1

Part No.	500489	Ref. No.	IB5036810
description	gear motor CROUZET type 80804011 24V 4.6rpm shaft \varnothing 0.88mm L 92mm W 64mm H 97mm for toaster		
For models:	ROLLER		


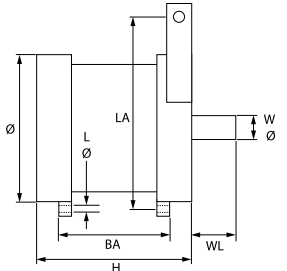
motors

for slicers


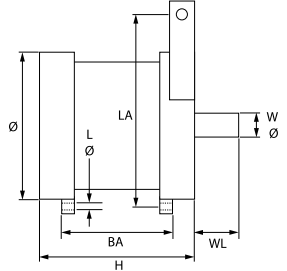
1

Part No.	501507	Ref. No.	19403042
description	motor 230V 1 phase 115W 50Hz 1440rpm shaft \varnothing 15mm shaft length 24mm \varnothing 125mm H 110mm mounting distance 71mm hole distance 155mm hole \varnothing 6mm type M71-4M 220/250/275 CASTELLOTTI		


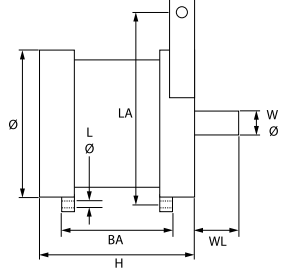
1

Part No.	500898	Ref. No.	19400101
description	motor 230V 1 phase 147W 50Hz 1400rpm shaft \varnothing 15mm shaft length 20mm \varnothing 125mm H 100mm mounting distance 71mm hole distance 155mm hole \varnothing 6mm type C71/40 220/250/275 CASTELLOTTI		


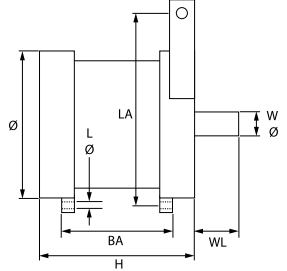
1

Part No.	500717	Ref. No.	SM400108
description	motor 230V 1 phase 147W 50Hz 1400rpm shaft \varnothing 15mm shaft length 21mm \varnothing 135mm H 120mm mounting distance 63mm hole distance 155mm hole \varnothing 8mm type C71/40 275-300 CASTELLOTTI		


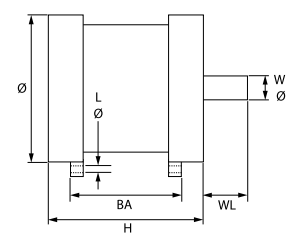
1

Part No.	501393	Ref. No.	AVA648A
description	motor 230V 50Hz 1400rpm shaft \varnothing 15mm shaft length 18mm \varnothing 134mm H 140mm mounting distance 83mm hole distance 156mm hole \varnothing 6mm CASTELLOTTI		


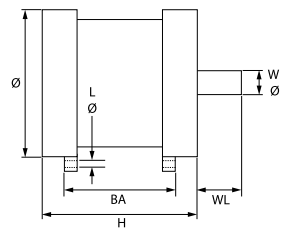
1

Part No.	500718	Ref. No.	SM402215
description	motor 400V 3 phase 210W 50Hz 1400rpm shaft \varnothing 15mm shaft length 22mm \varnothing 135mm H 120mm mounting distance 63mm hole distance 155mm hole \varnothing 8mm 275-300 CASTELLOTTI		


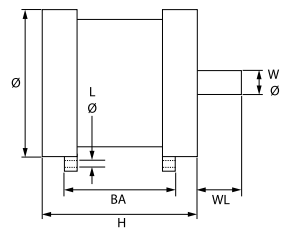
1

Part No.	500720	Ref. No.	19400408
description	motor 230/400V 3 phase 50/60Hz 890rpm shaft \varnothing 16.5mm shaft length 32mm \varnothing 130mm H 120mm mounting distance 87mm hole \varnothing 8mm GEMMA 350		







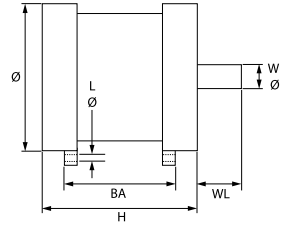
1

Part No.	500721	Ref. No.	19400108
description	motor 230V 1 phase 50/60Hz 890rpm shaft \varnothing 16.5mm shaft length 32mm \varnothing 130mm H 140mm mounting distance 108mm hole \varnothing 8mm GEMMA 350		


1

Part No.	500715	Ref. No.	AMC648
description	motor 230V 1 phase 50Hz 1400rpm shaft \varnothing 15mm shaft length 23mm \varnothing 110mm H 98mm mounting distance 69mm hole \varnothing 6mm 220		
For models:	PERLA 220 CE DOM, PERLA 250 CE DOM		
spare parts for	500715		
	Part No.	365013	Ref. No.
			19410301 19410303
description	operating capacitor capacity 8 μ F 400V tolerance 5%Hz ambient temperature max. -25 to +85°C \varnothing 31.5mm L 55mm M8 plastic connection male faston 6.3mm protection		

1


Part No.	500901	Ref. No.	19400107
description	motor 230V 275W 1 phase 50Hz 1400rpm shaft \varnothing 16.5mm shaft length 32mm \varnothing 130mm H 140mm mounting distance 108mm hole \varnothing 8mm 300-330-350		



1


Part No.	501425	Ref. No.	SM401408
description	motor 230V 1 phase 50Hz 1400rpm shaft \varnothing 14mm shaft length 63mm hole \varnothing 9.5mm hole distance 110mm		

for bar blender




1

Part No.	500728	Ref. No.	IB5000800
description	motor for bar blender 220V 450W 50Hz 18000rpm thread M6L shaft \varnothing 8mm mounting distance 36mm H 60mm L 165mm W 80mm mounting thread M4 Dragone CIARAMELLA		
For models:	DRAGONE CE		




1

Part No.	500729	Ref. No.	IB5000900
description	motor for bar blender 230V 750W 50Hz 14000/24000rpm thread M8L mounting distance 90mm Orione		
For models:	ORIONE CE		



1

Part No.	500731	Ref. No.	IB9865200
description	motor for bar blender 230V 100W 50/60Hz 14000rpm shaft \varnothing 10mm shaft length 143mm H 83mm L 260mm W 83mm Sirio CIARAMELLA		
For models:	SIRIO 1 GDO CE, SIRIO 2 GDO CE		



1

Part No.	500732	Ref. No.	IB9865201
description	motor for bar blender 230V 100W 50/60Hz 14000rpm shaft \varnothing 18mm shaft length 143mm H 83mm L 260mm W 83mm Sirio CIARAMELLA		
For models:	SIRIO 1 GDO CE, SIRIO 2 GDO CE		



for cutters



1

Part No.	500897	Ref. No.	MSC04N136
description	motor 230V 50Hz 1 phase shaft ø 20mm shaft length 25mm mounting distance 64mm ø 100mm H 140mm C4-C6-C9		
For models:	C9VV CE		

1

Part No.	500834	Ref. No.	LF1832002
description	motor for mincer 230V		

for ice-cube maker

complete



1

Part No.	500727	Ref. No.	IB5000801
description	motor 350W 230V 50Hz 1 phase 12000rpm CIARAMELLA 0.35kW		
For models:	TRITON CE		

1

Part No.	500854	Ref. No.	LF1833502
description	motor for mincer 230V		

for meat mincers

motors



1

Part No.	500866	Ref. No.	LF1839701
description	motor 3000W 230/400V 50Hz 3 phase shaft ø 19mm 1390rpm type M112 ø 175mm H 250mm CSM 3kW		

1

Part No.	500861	Ref. No.	LF1838303
description	motor for mincer 230V		

1

Part No.	500833	Ref. No.	LF1831001
description	motor 400V for mincer		

1

Part No.	500863	Ref. No.	LF1838603
description	motor for mincer 230V		

1

Part No.	500832	Ref. No.	LF1831002
description	motor for mincer 230V		

1

Part No.	500865	Ref. No.	LF1839703
description	motor for mincer 230V		



1

Part No.	500835	Ref. No.	LF1832001
description	motor for mincer 400V		

1

Part No.	500857	Ref. No.	LF1834001
description	motor for mincer 400V		

1

Part No.	500862	Ref. No.	LF1838301
description	motor for mincer 400V		

1

Part No.	500864	Ref. No.	LF1838601
description	motor for mincer 400V		

1

Part No.	500860	Ref. No.	LF2037050
description	motor meat mincer/cheese grater 230V		

1

Part No.	500858	Ref. No.	IV5050802
description	motor meat mincer/cheese grater 230V 1 phase		
For models:	TC 12 MAGNUM INGRANAGGI CE		

1

Part No.	500859	Ref. No.	IV5050803
description	motor meat mincer/cheese grater 400V		
For models:	TC 12 MAGNUM INGRANAGGI CE		

rotors



1

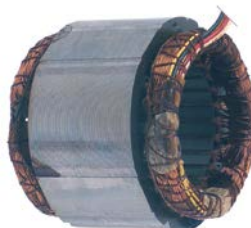
Part No.	500726	Ref. No.	MF2095A
description	rotor 230V ø 89.2mm shaft ø 25mm shaft length 357mm Mod.12 meat mincer/cheese grater		



1

Part No.	500725	Ref. No.	MF2202
description	rotor 400V ø 89.2mm shaft ø 25mm shaft length 357mm Mod.22 meat mincer/cheese grater		
For models:	TC22E CE, TCG 22 E CE		

stators



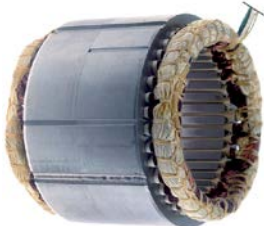
1

Part No.	500825	Ref. No.	MF0004
description	stator 230V 50Hz 4-pole 1400rpm 1 phase ø 110mm ID ø 66mm H 60mm with temperature protection Mod.8		



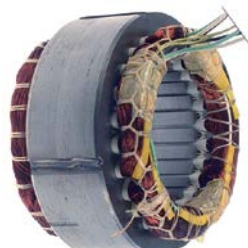
1

Part No.	500828	Ref. No.	MF0102 MF2096
description	stator 230V 50Hz 4-pole 1400rpm 1 phase ø 150mm ID ø 90mm H 70mm with temperature protection Mod.12		

1

Part No.	500830	Ref. No.	MF0170 MF2203
description	stator 230V 50Hz 6-pole 900rpm 1 phase ø 150mm ID ø 103mm H 90mm with temperature protection Mod.22		
For models:	TC22E CE, TCG 22 E CE		



1

Part No.	500829	Ref. No.	MF0103 MF2097
description	stator 400V 50Hz 4-pole 1400rpm 3 phase ø 150mm ID ø 83.6mm H 50mm with temperature protection Mod.12		



1

Part No.	500831	Ref. No.	MF0171 MF2204
description	stator 400V 50Hz 6-pole 900rpm 3 phase ø 150mm ID ø 90mm H 70mm with temperature protection Mod.22		
For models:	TC22E CE, TCG 22 E CE		

for vegetable slicers



1

Part No.	500719	Ref. No.	IV5050002
description	motor 230V 515W 50Hz 1 phase shaft ø 14mm shaft length 37mm mounting distance 154mm TM		
For models:	TV-TM INOX, TV-TM INOX07		

for potato peelers




1

Part No.	500711	Ref. No.	RG04260A
description	motor 230V 50Hz 1 phase shaft ø 10mm shaft length 21mm 1400rpm ø 120mm H 170mm mounting distance 136mm PP4 Expo		




1

Part No.	500713	Ref. No.	RG08260A
description	motor 230V 50Hz 1 phase shaft ø 12mm shaft length 23mm 1400rpm type RG08260A mounting distance 188mm PP8 Expo		
For models:	PP EXPO 4 CE, PP EXPO 8 CE		



1

Part No.	500712	Ref. No.	RG04260B
description	motor 400V 50Hz 3 phase shaft ø 10mm shaft length 21mm 1400rpm ø 120mm H 170mm mounting distance 136mm PP4 Expo		




1

Part No.	500714	Ref. No.	RG08260B
description	motor 400V 50Hz 3 phase shaft ø 12mm shaft length 23mm 1400rpm mounting distance 188mm PP8 Expo		
For models:	PP EXPO 4 CE, PP EXPO 8 CE		




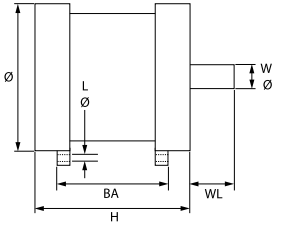
for bone saws

1



Part No.	601686	Ref. No.	LF1810502
description	motor 230V 750W 50Hz 1 phase shaft \varnothing 18mm shaft length 33mm \varnothing 180mm H 220mm mounting distance 44mm hole \varnothing 7mm type MM90S6 S02004 CSM		


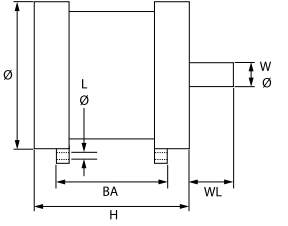
1

Part No.	500867	Ref. No.	IB5053403
description	motor 400V 50Hz 3 phase shaft \varnothing 19mm shaft length 30mm \varnothing 115mm H 155mm mounting distance 110mm hole \varnothing 10mm		

for mozzarella slicers

1

Part No.	500723	Ref. No.	IB5053003
description	motor 230/400V 260W 50/60Hz 3 phase 1400rpm shaft \varnothing 15mm shaft length 31mm \varnothing 115mm H 155mm mounting distance 110mm hole \varnothing 10mm type C71/70 Athos CASTELLOTTI		


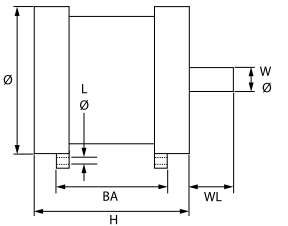
universal

1




Part No.	501536	Ref. No.	29401502
description	motor 250W 230V 50Hz 1 phase shaft \varnothing 11mm flange \varnothing 90mm 2800rpm type 1-MP63 A2 \varnothing 120mm H 130mm L 195mm fixing dimensions 80x100mm 0.25kW		

1


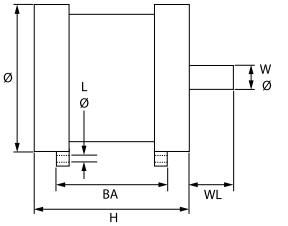
Part No.	500722	Ref. No.	IB5053002
description	motor 230V 260W 50Hz 1 phase 1400rpm shaft \varnothing 15mm shaft length 31mm \varnothing 115mm H 155mm mounting distance 110mm hole \varnothing 10mm type C71/70 Athos CASTELLOTTI		

1



Part No.	500916	Ref. No.	IB8000501
description	motor 230V 50Hz		

1

Part No.	500716	Ref. No.	IB5053004
description	motor 240V 260W 50Hz 1 phase 1400rpm shaft \varnothing 15mm shaft length 31mm \varnothing 115mm H 155mm mounting distance 110mm hole \varnothing 10mm Athos		

1

Part No.	500832	Ref. No.	LF1831002
description	motor for mincer 230V		

1

Part No.	500834	Ref. No.	LF1832002
description	motor for mincer 230V		



1			
Part No.	500850	Ref. No.	LF1832502
description	motor for mincer 230V		

1			
Part No.	500865	Ref. No.	LF1839703
description	motor for mincer 230V		

1			
Part No.	500852	Ref. No.	LF1832602
description	motor for mincer 230V		

1			
Part No.	500835	Ref. No.	LF1832001
description	motor for mincer 400V		

1			
Part No.	500854	Ref. No.	LF1833502
description	motor for mincer 230V		

1			
Part No.	500851	Ref. No.	LF1832501
description	motor for mincer 400V		

1			
Part No.	500856	Ref. No.	LF1834002
description	motor for mincer 230V		

1			
Part No.	500853	Ref. No.	LF1832601
description	motor for mincer 400V		

1			
Part No.	500861	Ref. No.	LF1838303
description	motor for mincer 230V		

1			
Part No.	500855	Ref. No.	LF1833501
description	motor for mincer 400V		

1			
Part No.	500863	Ref. No.	LF1838603
description	motor for mincer 230V		

1			
Part No.	500857	Ref. No.	LF1834001
description	motor for mincer 400V		



1

Part No.	500862	Ref. No.	LF1838301
description	motor for mincer 400V		

1

Part No.	500864	Ref. No.	LF1838601
description	motor for mincer 400V		

1

Part No.	500860	Ref. No.	LF2037050
description	motor meat mincer/cheese grater 230V		

1

Part No.	500858	Ref. No.	IV5050802
description	motor meat mincer/cheese grater 230V 1 phase		
For models:	TC 12 MAGNUM INGRANAGGI CE		

1

Part No.	500859	Ref. No.	IV5050803
description	motor meat mincer/cheese grater 400V		
For models:	TC 12 MAGNUM INGRANAGGI CE		

pumps

booster pumps II

accessories



1

Part No.	365015	Ref. No.	19410307
-----------------	--------	-----------------	----------

description	operating capacitor capacity 10µF 400V tolerance 5%Hz ambient temperature max. -25 to +85°C ø 35.5mm L 59mm M8 plastic connection male faston 6.3mm protection		
--------------------	--	--	--



1

Part No.	365012	Ref. No.	19410308
-----------------	--------	-----------------	----------

description	operating capacitor capacity 6.3µF 450V tolerance 5% 50Hz ambient temperature max. -25 to +85°C ø 30mm L 61mm M8 plastic connection male faston 6.3mm protection		
--------------------	--	--	--

condensators & interference suppression filters

operating capacitors

plastic



1

Part No.	365015	Ref. No.	19410307
-----------------	--------	-----------------	----------

description	operating capacitor capacity 10µF 400V tolerance 5%Hz ambient temperature max. -25 to +85°C ø 35.5mm L 59mm M8 plastic connection male faston 6.3mm protection		
--------------------	--	--	--




1

Part No.	365014	Ref. No.	MF0022 RG04290
-----------------	--------	-----------------	-------------------

description	operating capacitor capacity 12.5µF 450V tolerance 5%Hz ambient temperature max. -25 to +85°C ø 35mm L 70mm M8 plastic connection male faston 6.3mm 45S.C3DS.12.5 protection		
--------------------	--	--	--




1



Part No.	365021	Ref. No.	MF0192 MF2144
description	operating capacitor capacity 16µF 425V tolerance 5% 50/60Hz ambient temperature max. -25 to +85°C ø 35mm L 73mm single M8 plastic connection male faston 6.3mm 416.10.99 protection		

1



Part No.	365019	Ref. No.	IV5820020 MF2223
description	operating capacitor capacity 20µF 400V tolerance 5% 50/60Hz ambient temperature max. -25 to +85°C ø 39.5mm L 70mm M8 plastic connection male faston 6.3mm 16.10.25. protection		
For models:	TC22E CE, TCG 22 E CE, TV-TM INOX, TV-TM INOX07		

1



Part No.	365109	Ref. No.	IV5820025
description	operating capacitor capacity 25µF 400V tolerance 5% 50/60Hz ambient temperature max. -25 to +85°C ø 44mm L 70mm M8 plastic connection male faston 6.3mm protection		
For models:	TC 12 MAGNUM INGRANAGGI CE		

1



Part No.	365092	Ref. No.	RG08290
description	operating capacitor capacity 25µF 450V tolerance 5% 50Hz ø 45mm L 75mm plastic		

1



Part No.	365012	Ref. No.	19410308
description	operating capacitor capacity 6.3µF 450V tolerance 5% 50Hz ambient temperature max. -25 to +85°C ø 30mm L 61mm M8 plastic connection male faston 6.3mm protection		

1




Part No.	365013	Ref. No.	19410301 19410303
description	operating capacitor capacity 8µF 400V tolerance 5% 50/60Hz ambient temperature max. -25 to +85°C ø 31.5mm L 55mm M8 plastic connection male faston 6.3mm protection		
For models:	PERLA 220 CE DOM, PERLA 250 CE DOM		

fuses

fine fuses

various

1



Part No.	358184	Ref. No.	PA62304210BP
description	fine fuse size ø6x30mmmm 10A slow-acting rated 250V Qty 1 pcs		


electric accessories

plugs - couplings - power sockets

appliance sockets/plugs


low temperature appliances 70°C

1



Part No.	550704	Ref. No.	IB5520000
description	low temperature appliance plug C14 male faston 6.3mm max 10A/250V T70 mounting distance 40mm hole ø 3.5mm thermoplastic		

1



Part No.	550962 ¹	Ref. No.	KODK008A
description	low temperature appliance plug C14 max 15A/250V T70 with cable		

¹with cable



cables

power supply cables



1

Part No.	550726	Ref. No.	KODK008B
description	low temperature appliance supply cable CEE7/7 - C15 3-pole contacts P+N+E 1mm ² max. 10A max 250V 2.0m H05VVF T70 2-pole + earthing insulation PVC		



1

Part No.	550927	Ref. No.	19410530
description	low temperature appliance supply cable CEE7/7 3-pole 1mm ² 1.5m T70 with connector strip insulation PVC		
For models:	PERLA 220 CE DOM, PERLA 250 CE DOM, TV-TM INOX, TV-TM INOX07		



1

Part No.	550553	Ref. No.	IB5503010
description	medium temperature appliance supply cable CEE7/7 - C15 3-pole contacts P+N+E 1mm ² max. 10A max 250V 2.0m H05VVF T120 insulation PVC countries D/F/B/I black		
For models:	ORIONE CE, SIRIO 1 GDO CE, SIRIO 2 GDO CE		



1

Part No.	550767	Ref. No.	19410536
description	plug CEE 4-pole 3-pole+Nmm ² max. 16A max 415V 1.5m with cable		

accessories

cable glands

threaded cable glands

screw connections



1

Part No.	550990 ¹	Ref. No.	RG04332 RG04334
description	cable gland thread PG7 cable ø 8mm mounting ø 15mm Qty 1 plastic WS 19		
For models:	PP EXPO 4 CE, PP EXPO 8 CE		

¹incl. fastening nut

connection cables



1

Part No.	550928	Ref. No.	19410718
description	connection cable L 300mm 2-pole		

terminals

terminal blocks



1

Part No.	550232	Ref. No.	19410822
description	lustre terminal 12-pole cross section 2.5mm ² max. 32A max 450V temp.-resist. 150°C		
For models:	APOLLO CE, SIRIO 1 GDO CE, SIRIO 2 GDO CE		

connection terminals with screw/faston connections




1

Part No.	550961 ¹	Ref. No.	IB469 IGS469
description	power terminal block 4-pole max. 40A max 450V connection ø6mm ² / F6.3 temp.-resist. 150°C cross section 6mm ² with ground lug		
For models:	CREPIERA TONDA		

¹with ground lug




connection terminals with strain relief



1

Part No.	550356	Ref. No.	MSC04N202A
description	power terminal block 2-pole max 450V max. 16A cable ø 15mm cross section 1.5mm ²		
For models:	C9VV CE		




1

Part No.	550991	Ref. No.	IB5893000
description	power terminal block 3-pole max 400V max. 16A cable ømm cross section 2.5mm ² connection with screw with cable run		



1

Part No.	550764	Ref. No.	MSC04N202 RG04207
description	power terminal block 3-pole max 450V max. 16A cable ø 14.5mm cross section 1.5mm ² connection male faston 6.3mm mounting ø 28mm with strain relief		
For models:	PP EXPO 4 CE, PP EXPO 8 CE		




1

Part No.	550765	Ref. No.	RG04207 +2x 19410802
description	power terminal block 5-pole max 450V max. 16A cable ø 14.5mm cross section 1.5mm ² connection male faston 6.3mm mounting ø 28mm with strain relief		

accessories

holders




1

Part No.	550766	Ref. No.	19410820
description	bracket for connector strip cross section 2.5mm ² 3-pole plastic L 51mm W 31mm		
For models:	APOLLO CE		

equipment-specific units

for slicers

covers




1

Part No.	694826	Ref. No.	19510235	
description	blade covering ø 255mm for knife ø 300mm mounting ø 17			
accessories for	694826			
	Part No.	698242	Ref. No.	19530930.10 SM133417
	threaded bush L 18mm for slicer ET M12 IT M6			



1

Part No.	693786	Ref. No.	SM500503
description	blade covering ø 255mm for knife ø 300mm mounting thread M10 mounting ø 17		




1


Part No.	697457	Ref. No.	AMG006
description	blade covering for knife ø 250mm aluminium		
For models:	PERLA 250 CE DOM		





			
1			
Part No.	697522	Ref. No.	AMC006
description	blade covering ø 230mm for knife ø 220mm mounting thread M6 mounting ø 12 aluminium		
For models:	PERLA 220 CE DOM		


			
1			
Part No.	699484	Ref. No.	195102025
description	blade covering ø 263mm for knife ø 250mm mounting thread M6 aluminium		


			
1			
Part No.	698457	Ref. No.	195102026
description	blade covering ø 273mm for knife ø 250mm aluminium		


bushes			
			
1			
Part No.	698246	Ref. No.	SM133418
description	threaded bush ET M10x1 blade cover		

			
1			
Part No.	698242	Ref. No.	19530930.10 SM133417
description	threaded bush L 18mm for slicer ET M12 IT M6		

handles			
			
1			
Part No.	696266	Ref. No.	AMA008
description	cone handle thread M4 ø 9mm L 14mm aluminium slicer		
For models:	PERLA 220 CE DOM, PERLA 250 CE DOM		


			
1			
Part No.	696267	Ref. No.	19021110
description	mushroom cap handle thread M4 ø 16mm L 18.5mm aluminium slicer		


miscellaneous			
			
1			
Part No.	697523	Ref. No.	SM503404
description	protector for knife ø 350mm ø 360mm aluminium GEMMA 350		


sliding plates			
			
1			
Part No.	697524	Ref. No.	AMC040
description	sliding plate 220 mounting distance 70mm mounting thread M6		
For models:	PERLA 220 CE DOM		


			
1			
Part No.	697525	Ref. No.	AMG040
description	sliding plate 250 mounting distance 70mm mounting thread M8		
For models:	PERLA 250 CE DOM		




			
1			
Part No.	697526	Ref. No.	SM504120
description	sliding plate 300 mounting distance 87mm		

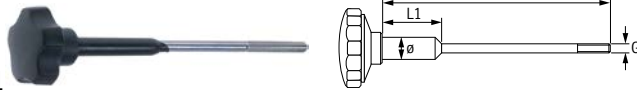
holders			
			
1			
Part No.	696239	Ref. No.	195107E07
description	bracket hole \varnothing 19mm mounting distance 120mm L 160mm W 80mm 300-330		

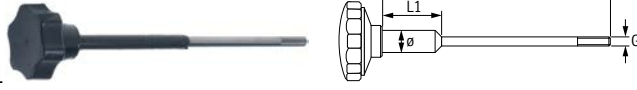
			
1			
Part No.	696240	Ref. No.	AMM058 AMR058
description	bracket hole \varnothing 7.3mm mounting distance 70mm L 160mm W 20mm shaft \varnothing 15mm shaft L 38mm 220-250		
For models:	PERLA 220 CE DOM		


			
1			
Part No.	696238	Ref. No.	SM500318
description	bracket hole \varnothing 8mm mounting distance 98mm L 140mm W 48mm shaft \varnothing 15mm shaft L 46mm 300		

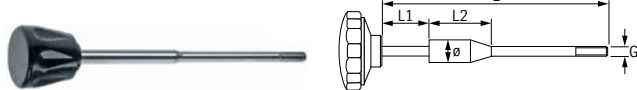
hand guard			
			
1			
Part No.	696252	Ref. No.	19563002
description	protector \varnothing 68mm ID \varnothing 18mm thickness 10mm for sliding plate		


			
1			
Part No.	696251	Ref. No.	AMA062
description	protector \varnothing 68mm ID \varnothing 25.8mm thickness 10mm for sliding plate		
For models:	PERLA 220 CE DOM, PERLA 250 CE DOM		

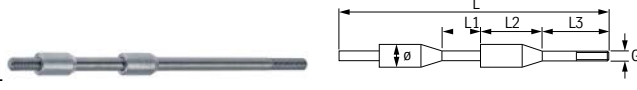
locking screws			
			
1			
Part No.	697513	Ref. No.	AMC032 AMG032
description	locking screw thread M6 L 148mm \varnothing 10mm L1 51mm handle \varnothing 40mm		
For models:	PERLA 220 CE DOM, PERLA 250 CE DOM		

			
1			
Part No.	697709	Ref. No.	AVA032
description	locking screw thread M6 L 170mm \varnothing 8mm L1 80mm		

			
1			
Part No.	698078	Ref. No.	SM212740
description	locking screw thread M6 L 200mm \varnothing 10mm L1 80mm		

			
1			
Part No.	697734	Ref. No.	AVG032
description	locking screw thread M8 L 198mm \varnothing 10mm L2 24mm		

			
1			
Part No.	697738	Ref. No.	SM592021
description	locking screw thread M8 L 200mm \varnothing 10mm D1 \varnothing 10mm L2 23mm L3 23mm without handle		

			
1			
Part No.	697735	Ref. No.	19530501
description	locking screw thread M6 L 160mm \varnothing 10mm D1 \varnothing 10mm L2 18mm L3 18mm		

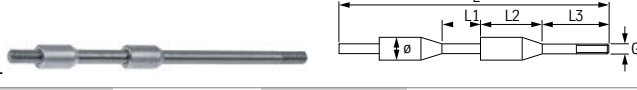


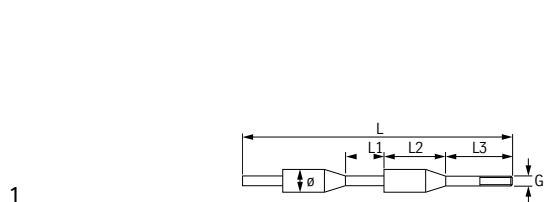
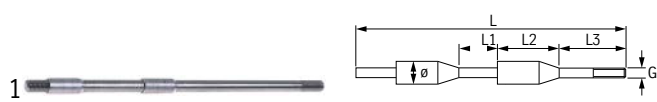
			
1			
Part No.	697740	Ref. No.	19530532
description	locking screw thread M6 L 185mm \varnothing 10mm D1 \varnothing 10mm L2 18mm L3 18mm		
accessories for	697740		
	Part No.	111054	Ref. No.
			19564016
	star handle thread M6 \varnothing 40mm L 29mm blue		

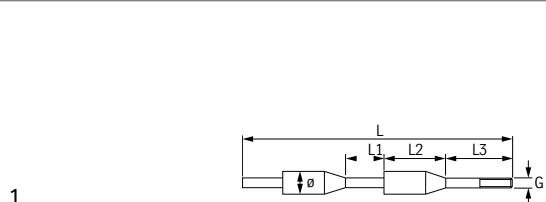
Table continues overleaf





accessories for	697740		
	Part No.	698200	Ref. No. 19562502
	star handle thread M6 ø 40mm L 29mm black		


	Part No.	697736	Ref. No. 19530554
description	locking screw thread M8 L 230mm ø 12mm D1 ø 12mm L2 25mm L3 25mm without handle		

	Part No.	696230	Ref. No. 19530507
description	locking screw thread M8 L 235mm ø 10mm D1 ø 10mm without handle		


	Part No.	697737	Ref. No. 19530509
description	locking screw thread M8 L 240mm ø 12mm D1 ø 12mm L2 23mm L3 23mm without handle		


handles			
	Part No.	698200	Ref. No. 19562502
description	star handle thread M6 ø 40mm L 29mm black		


	Part No.	111054	Ref. No. 19564016
description	star handle thread M6 ø 40mm L 29mm blue		

	Part No.	697443	Ref. No. 19562504 19564013
description	star handle thread M8 ø 50mm L 29mm black		
For models:	PERLA 220 CE DOM, PERLA 250 CE DOM		


adjustment knobs			
	Part No.	697509	Ref. No. AMC102
description	adjusting knob 0-12 ø 55mm shaft ø 12mm shaft L 35mm handle ø 42mm		
For models:	PERLA 220 CE DOM		


	Part No.	697510	Ref. No. 19562402 19564020
description	adjusting knob 0-15 ø 60mm shaft ø 12mm shaft L 32mm		

	Part No.	696693	Ref. No. 19562404
description	adjusting knob 0-15 ø 68mm shaft ø 18mm shaft L 47mm handle ø 53mm		


	Part No.	697511	Ref. No. 19562404 old
description	adjusting knob 0-15 ø 68mm shaft ø 18mm shaft L 47mm handle ø 58mm		




 <p>1</p>			
Part No.	696500	Ref. No.	19562404 (old version)
description	adjusting knob 0-24 ø 68mm shaft ø 18mm shaft L 37mm handle ø 56mm		


 <p>1</p>			
Part No.	697512	Ref. No.	19562410
description	ring for handle ø 72mm ID ø 35mm thickness 10mm plastic black		

eccentric disc for slice thickness


 <p>1</p>			
Part No.	697507	Ref. No.	SM190100011
description	eccentrics for cutting thickness hole ø 12mm groove width 6.5mm ED ø 56mm thickness 21mm		


 <p>1</p>			
Part No.	697756	Ref. No.	19563505LG
description	eccentrics for cutting thickness hole ø 12mm groove width 6mm ED ø 56mm thickness 10mm		


 <p>1</p>			
Part No.	697506	Ref. No.	AMI092
description	eccentrics for cutting thickness hole ø 12mm groove width 6mm ED ø 56mm thickness 20mm		
For models:	PERLA 220 CE DOM, PERLA 250 CE DOM		


 <p>1</p>			
Part No.	697508	Ref. No.	SM190100022
description	eccentrics for cutting thickness hole ø 18mm groove width 8mm ED ø 85mm thickness 24.5mm		


springs


 <p>1</p>			
Part No.	696211	Ref. No.	AMC672
description	compression spring ø 11.5mm L 46mm wire gauge ø 1.3mm slicer 220		
For models:	PERLA 220 CE DOM, PERLA 250 CE DOM		

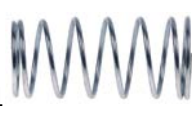
 <p>1</p>			
Part No.	696208	Ref. No.	SM370111
description	compression spring ø 13.5mm L 57mm wire gauge ø 1.4mm slicer 275-300		

 <p>1</p>			
Part No.	696209	Ref. No.	19390205
description	compression spring ø 13.5mm L 92mm wire gauge ø 1.4mm slicer		

 <p>1</p>			
Part No.	696210	Ref. No.	19390600
description	compression spring ø 14mm L 16mm wire gauge ø 1.2mm slicer 220-250		

 <p>1</p>			
Part No.	696205	Ref. No.	SM370104
description	compression spring ø 22/28mm L 22mm wire gauge ø 2mm conical slicer D1 ø 22mm D2 ø 28mm 250-300		

 <p>1</p>			
Part No.	696207	Ref. No.	AMC244
description	compression spring ø 23/25mm L 19mm wire gauge ø 1.5mm conical slicer D1 ø 23mm D2 ø 25mm 220-250		
For models:	PERLA 220 CE DOM, PERLA 250 CE DOM		

 <p>1</p>			
Part No.	696206	Ref. No.	AMC254 AMG254
description	compression spring ø 23/25mm L 53mm wire gauge ø 1.5mm conical slicer D1 ø 23mm D2 ø 25mm 220-250		
For models:	PERLA 220 CE DOM, PERLA 250 CE DOM		



Part No.	696212	Ref. No.	AMA814
description	compression spring \varnothing 7.6mm L 22mm wire gauge \varnothing 0.7mm slicer 195-220		
For models:	PERLA 220 CE DOM		



Part No.	696213	Ref. No.	AME410
description	compression spring \varnothing 7.6mm L 28mm wire gauge \varnothing 0.7mm slicer PARKER		
For models:	PERLA 250 CE DOM		

spring washers



Part No.	696253	Ref. No.	19342005 AMA096
description	spring washer ID \varnothing 12mm ED \varnothing 25mm Qty 1 pcs		
For models:	PERLA 220 CE DOM, PERLA 250 CE DOM		



Part No.	696254	Ref. No.	19342006
description	spring washer ID \varnothing 19mm ED \varnothing 32mm Qty 1 pcs		

guiding pieces

for sliding plates



Part No.	696246	Ref. No.	19500107
description	guide L 112mm W 56mm hole \varnothing 19mm shaft \varnothing 19mm shaft L 56mm mounting thread M8 300-330 aluminium		



Part No.	696247	Ref. No.	AMM064 AMR064
description	guide L 80mm W 54mm H 37mm hole \varnothing 15mm shaft intake \varnothing 12mm mounting thread M8 220-250		
For models:	PERLA 220 CE DOM, PERLA 250 CE DOM		



Part No.	696245	Ref. No.	SM500218
description	guide L 87mm W 56mm H 38mm hole \varnothing 15mm shaft intake \varnothing 12mm mounting thread M6 275-300 aluminium		



Part No.	696276	Ref. No.	AMA066
description	connection plate L 83mm W 12mm thickness 4mm hole \varnothing 6.5mm hole distance 69mm		
For models:	PERLA 220 CE DOM, PERLA 250 CE DOM		

for carriage



Part No.	696244	Ref. No.	SM500618
description	guide L 120mm W 122mm H 66mm hole \varnothing 18mm thread M22 220-250		



Part No.	696243	Ref. No.	AMM212
description	guide L 122mm W 116mm H 59mm hole \varnothing 20mm thread M8 220-250		
For models:	PERLA 220 CE DOM, PERLA 250 CE DOM		





Part No.	696279	Ref. No.	SM190830
description	connection plate L 37mm W 33mm hole distance 18mm aperture 6x12mm thickness 2.5mm		





Part No.	696270	Ref. No.	AMA220
description	grub screw slicer thread M8 L 27mm plastic		
For models:	PERLA 220 CE DOM, PERLA 250 CE DOM		





			
1			
Part No.	696289	Ref. No.	19534029
description	knurled nut for carriage thread M22 ø 32mm chrome-plated 220-250 Qty 1 pcs WS H 7mm		


			
1			
Part No.	696832	Ref. No.	19565001
description	pressure pin L 8mm ø 5mm Qty 5 pcs		


			
1			
Part No.	696341	Ref. No.	SM561504
description	screw for carriage thread M8 L 16mm ø 32mm		


			
1			
Part No.	696231	Ref. No.	19534034
description	spindle thread M8 L 32mm ø 10.5mm 220-250		


			
1			
Part No.	696288	Ref. No.	19534024
description	threaded bush thread M22 L 20mm ID ø 11mm 220-250		


			
1			
Part No.	696278	Ref. No.	19533200
description	threaded plate thread M6 L 36mm W 15mm hole distance 18mm thickness 4mm		


bushes			
			
1			
Part No.	696709	Ref. No.	19324102
description	bush ED ø 14mm ID ø 12mm H 12mm bronze		


			
1			
Part No.	696283	Ref. No.	19324108
description	bush for carriage ED ø 20mm ID ø 18mm H 20mm bronze		

			
1			
Part No.	696282	Ref. No.	19324005
description	bush for carriage ED ø 22mm ID ø 19mm H 20mm bronze		

spindles			
			
1			
Part No.	696229	Ref. No.	19530612
description	spindle for carriage ø 18mm L 445mm thread M8 250-275		

			
1			
Part No.	696227	Ref. No.	AMC242
description	spindle for carriage ø 20mm L 385mm thread M8 220		
For models:	PERLA 220 CE DOM		

			
1			
Part No.	696228	Ref. No.	AMG242
description	spindle for carriage ø 20mm L 420mm thread M8 250		
For models:	PERLA 250 CE DOM		

			
1			
Part No.	696225	Ref. No.	AMI080
description	spindle for sliding plate ø 12mm L 120mm		
For models:	PERLA 220 CE DOM, PERLA 250 CE DOM		



1



Part No.	696224	Ref. No.	SM521218
description	spindle for sliding plate \varnothing 12mm L 130mm 275-300		

1



Part No.	696226	Ref. No.	19530705
description	spindle for sliding plate \varnothing 19mm L 120mm thread M8 250-370		

accessories

1



Part No.	696269	Ref. No.	19335060+19346010 SM130201
description	countersunk screw thread M6 L 16mm stainless steel head \varnothing 11mm set with plain washer slicer		

1



Part No.	698974	Ref. No.	19525060 19525060.10 19566060
description	guide L 32mm W 29mm ID \varnothing 10mm mounting thread M5 aluminium		

1



Part No.	698968	Ref. No.	19526060
description	guide L 36mm W 32mm ID \varnothing 12mm mounting thread M4 aluminium CANOVA		

1



Part No.	696268	Ref. No.	AMC246
description	oval head screw thread M8 stainless steel L 10mm slicer \varnothing 22mm		
For models:	PERLA 220 CE DOM, PERLA 250 CE DOM		

hand guard

1



Part No.	696287	Ref. No.	19562382
description	hand protection for sharpener units L 210mm W 105mm hole \varnothing 5.3mm mounting distance 54mm 195		

1



Part No.	696284	Ref. No.	19562201
description	hand protection for knife \varnothing 220mm H 80mm W 35mm hole \varnothing 4.8mm mounting distance 47mm plastic		
For models:	PERLA 220 CE DOM		

1



Part No.	697298	Ref. No.	19562202
description	hand protection for knife \varnothing 250mm		
For models:	PERLA 250 CE DOM		

1



Part No.	696285	Ref. No.	SM501203
description	hand protection for knife \varnothing 300mm H 180mm W 95mm hole \varnothing 5mm mounting distance 85mm aluminium		

1




Part No.	696286	Ref. No.	19521311
description	hand protection for knife \varnothing 350mm H 200mm W 118mm hole \varnothing 5mm mounting distance 85mm aluminium		


1





Part No.	698196	Ref. No.	19562324
description	hand protection for carriage 275-300 H 220mm W 150mm thickness 4mm hole \varnothing 6mm mounting distance 88mm		




 <p>1</p>			
Part No.	698311	Ref. No.	19562358
description	hand protection for carriage 275-300 H 244mm W 150mm thickness 4mm hole ø 6.3mm mounting distance 87.2mm		

 <p>1</p>			
Part No.	698312	Ref. No.	19562336
description	hand protection for carriage 300-370 H 275mm W 297mm thickness 10mm mounting distance 248mm plexiglas		


 <p>1</p>			
Part No.	697858	Ref. No.	AMA294A
description	hand protection for slicer		
For models:	PERLA 220 CE DOM, PERLA 250 CE DOM		

 <p>1</p>			
Part No.	698574	Ref. No.	19562342
description	hand protection for slicer H 280mm W 150mm thickness 5mm hole ø 10mm mounting distance 95mm plastic		


 <p>1</p>			
Part No.	698245	Ref. No.	1956232206
description	hand protection H 210mm W 153mm mounting distance 93mm		

 <p>1</p>			
Part No.	699625	Ref. No.	19562322
description	hand protection slicer H 165mm W 150mm thickness 4mm hole ø 6mm mounting distance 86mm		
For models:	PERLA 220 CE DOM, PERLA 250 CE DOM		


<p>accessories</p>			
 <p>1</p>			
Part No.	696281	Ref. No.	19521603
description	spacer bush for hand guard thread M5 ø 16mm L 31mm		
For models:	PERLA 220 CE DOM, PERLA 250 CE DOM		

 <p>1</p>			
Part No.	697467	Ref. No.	SM591519
description	blade pulley with spindle D1 ø 40mm D2 ø 63mm D3 ø 80mm shaft ø 15 L 42mm shaft length 194mm mounting thread M5 mounting ø 3-hole		

 <p>1</p>			
Part No.	696234	Ref. No.	AMG022
description	blade pulley with spindle D1 ø 40mm D2 ø 65mm D3 ø 64mm shaft ø 15 L 43mm shaft length 152mm mounting thread M5 mounting ø 3-hole		
For models:	PERLA 250 CE DOM		

 <p>1</p>			
Part No.	696233	Ref. No.	AMC022
description	blade pulley with spindle D1 ø 40mm D2 ø 69mm D3 ø 65mm shaft ø 15 L 30mm shaft length 147mm mounting thread M5 mounting ø 3-hole		
For models:	PERLA 220 CE DOM		





			
1			
Part No.	696232	Ref. No.	19700307
description	blade pulley with spindle D1 ø 57mm D2 ø 78mm D3 ø 95mm shaft ø 20 L 65mm shaft length 220mm mounting thread M5 mounting ø 4 hole		

food holders


handles

			
1			
Part No.	698195	Ref. No.	19562903 19562905
description	cone handle thread M10 ø 29mm L 82mm black		


			
1			
Part No.	697431	Ref. No.	19562901 19564019
description	cone handle thread M6 ø 26mm plastic L 70mm black thread L 10mm		


			
1			
Part No.	697432	Ref. No.	19562900
description	cone handle thread M6 ø 26mm plastic L 70mm thread L 6mm		

			
1			
Part No.	698313	Ref. No.	AMA284
description	handle ø 18.5mm L 44mm plastic food holder		
For models:	PERLA 220 CE DOM, PERLA 250 CE DOM		
accessories for	698313		
	Part No.	504788	Ref. No. AMA282
	screw thread M5 L 50mm Qty 1 pcs		


			
1			
Part No.	111123	Ref. No.	19562904 19564021
description	handle thread M10 IT ø 30mm L 110mm D1 ø 65mm		


food holders


			
1			
Part No.	697530	Ref. No.	sehe Bemerkung!!!! SM11016007 SM11016007+19563206+19324102
description	food holder 275-300 L 270mm hole ø 12mm		


			
1			
Part No.	698190	Ref. No.	19510922 19510922+2x19324102+19563206
description	food holder 300		


accessories

			
1			
Part No.	698518	Ref. No.	19525062
description	guide food holder ø 10mm L 33mm thread M5 aluminium		

			
1			
Part No.	698369	Ref. No.	19566062
description	guide food holder ø 10mm L 33mm thread M5 plastic		

			
1			
Part No.	696220	Ref. No.	AMC270A
description	spindle food holder ø 10mm L 210mm		
For models:	PERLA 220 CE DOM, PERLA 250 CE DOM		


			
1			
Part No.	696221	Ref. No.	AMP270
description	spindle food holder ø 12mm L 265mm 300		

			
1			
Part No.	698193	Ref. No.	19541509
description	thread bolt for handle ø 14mm L 120mm thread M10 stainless steel		




blades

pullers



1

Part No.	697531	Ref. No.	19702508
description	puller for knife ø 300mm hole distance 160mm thread M8		



1


Part No.	697532	Ref. No.	19702512
description	puller for knife ø 357mm hole distance 160mm thread M8		

PTFE




1

Part No.	697304	Ref. No.	18250403210TF
description	slicing machine blade ED ø 250mm seat ø 40mm 3-hole ID ø 210mm H 17.5mm PTFE 100Cr6		
For models:	VCO250		




1

Part No.	697547	Ref. No.	18275403218TF
description	slicing machine blade ED ø 275mm seat ø 40mm 3-hole ID ø 218mm H 21.5mm PTFE 100Cr6		




1

Part No.	697548	Ref. No.	18275404218TF
description	slicing machine blade ED ø 275mm seat ø 40mm 4 hole ID ø 218mm H 21.5mm PTFE 100Cr6		




1

Part No.	696520	Ref. No.	1830040325422TF
description	slicing machine blade ED ø 300mm seat ø 40mm 3-hole PTFE ID ø 254mm H 22.5mm		
For models:	MIRRA 300 CE		




1

Part No.	698210	Ref. No.	1830057425422TF
description	slicing machine blade ED ø 300mm seat ø 57mm 4 hole ID ø 254mm H 22.5mm PTFE 100Cr6		




1

Part No.	697550	Ref. No.	18330574270TF
description	slicing machine blade ED ø 330mm seat ø 57mm 4 hole ID ø 270mm H 23mm PTFE 100Cr6		



1

Part No.	697551	Ref. No.	18350574280TF
description	slicing machine blade ED ø 350mm seat ø 57mm 4 hole ID ø 280mm H 22.5mm PTFE 100Cr6		



1

Part No.	697552	Ref. No.	18370574300TF
description	slicing machine blade ED ø 370mm seat ø 57mm 4 hole ID ø 300mm H 22.5mm PTFE 100Cr6		



special



1

Part No.	697845	Ref. No.	N/A
description	slicing machine blade ED \varnothing 330mm seat \varnothing 270mm 4 hole ID \varnothing 57mm Hmm 100Cr6		

standard



1

Part No.	697546	Ref. No.	18195303155
description	slicing machine blade ED \varnothing 195mm seat \varnothing 30mm 3-hole ID \varnothing 155mm H 12.8mm C45 standard		



1

Part No.	697436	Ref. No.	18220403180F
description	slicing machine blade ED \varnothing 220mm seat \varnothing 40mm 3-hole ID \varnothing 180mm H 15.5mm C45		



1

Part No.	697365	Ref. No.	18250403210
description	slicing machine blade ED \varnothing 250mm seat \varnothing 40mm 3-hole ID \varnothing 210mm H 17.5mm C45 standard		
For models:	PERLA 250 CE DOM		



1

Part No.	697541	Ref. No.	1827540321815
description	slicing machine blade ED \varnothing 275mm seat \varnothing 40mm 3-hole ID \varnothing 218mm H 15.5mm C45 standard		



1

Part No.	697540	Ref. No.	18275403218
description	slicing machine blade ED \varnothing 275mm seat \varnothing 40mm 3-hole ID \varnothing 218mm H 21.5mm C45 standard		



1

Part No.	697539	Ref. No.	18275403220
description	slicing machine blade ED \varnothing 275mm seat \varnothing 40mm 3-hole ID \varnothing 220mm H 15.5mm C45 standard		



1

Part No.	697538	Ref. No.	18275404218
description	slicing machine blade ED \varnothing 275mm seat \varnothing 40mm 4 hole ID \varnothing 218mm H 21.5mm C45 standard		



1

Part No.	697385	Ref. No.	18300403250 1830040325020F
description	slicing machine blade ED \varnothing 300mm seat \varnothing 40mm 3-hole ID \varnothing 250mm H 20mm C45 standard		




1

Part No.	698214	Ref. No.	18300403254
description	slicing machine blade ED \varnothing 300mm seat \varnothing 40mm 3-hole ID \varnothing 254mm H 22.5mm C45 standard		




1




Part No.	698191	Ref. No.	18300574254
description	slicing machine blade ED ø 300mm seat ø 57mm 4 hole ID ø 254mm H 22.5mm C45 standard		

1




Part No.	697375	Ref. No.	18330574270
description	slicing machine blade ED ø 330mm seat ø 57mm 4 hole ID ø 270mm H 23mm 100Cr6 standard		

1




Part No.	697463	Ref. No.	18350574280F
description	slicing machine blade ED ø 350mm seat ø 57mm 4 hole ID ø 280mm H 22.5mm 100Cr6 standard		

1




Part No.	697399	Ref. No.	18350574280
description	slicing machine blade ED ø 350mm seat ø 57mm 4 hole ID ø 280mm H 22.5mm C45 standard		

1



Part No.	697460	Ref. No.	18370574300
description	slicing machine blade ED ø 370mm seat ø 57mm 4 hole ID ø 300mm H 22.5mm 100Cr6 standard		

1




Part No.	697458	Ref. No.	18385574315
description	slicing machine blade ED ø 385mm seat ø 57mm 4 hole ID ø 315mm H 22.5mm 100Cr6 standard		

sharpener units


lids



1



Part No.	696261	Ref. No.	AME402
description	lid for sharpener units L 104mm W 80mm mounting distance 80mm 220/250/275		
For models:	PERLA 250 CE DOM		

1



Part No.	696262	Ref. No.	SM501501
description	lid for sharpener units L 125mm W 103mm mounting distance 88mm 275-300		
accessories for	696262		
	Part No.	Ref. No.	SM211413
	697445		
	mushroom cap handle thread M6 handle ø 33mm L 26mm plastic black		
	Part No.	Ref. No.	IB4206451
	697517		
	cone handle thread M10 ø 30mm L 66mm black		

push buttons

1



Part No.	696260	Ref. No.	AMA810 AME426
description	push button for sharpener units ø 12mm L 19mm hole ø 5.2mm 195-220		
For models:	PERLA 220 CE DOM, PERLA 250 CE DOM		



1



Part No.	696259	Ref. No.	AME468
description	push button for sharpener units \varnothing 12mm L 19mm hole \varnothing 6mm 220-250		
For models:	PERLA 250 CE DOM		

1



Part No.	696255	Ref. No.	SM561101
description	push button for sharpener units \varnothing 12mm L 22mm hole \varnothing 6mm 275-300		

1



Part No.	696257	Ref. No.	SM561101+SM150401
description	push button for sharpener units \varnothing 12mm L 22mm hole \varnothing 6mm 275-300		

holders

1



Part No.	696263	Ref. No.	SM501401
description	body for sharpener units L 102mm W 46mm H 38mm hole \varnothing 6mm mounting distance 88mm aluminium 275-300		

1



Part No.	696265	Ref. No.	AME456
description	body for sharpener units L 92mm W 35mm H 28mm hole \varnothing 6mm mounting distance 80mm plastic 220-250		
For models:	PERLA 250 CE DOM		

1



Part No.	696264	Ref. No.	19562101
description	body for sharpener units L 99mm W 48mm H 28mm hole \varnothing 6mm mounting thread M6 plastic 195-220		
For models:	PERLA 220 CE DOM		

1



Part No.	696242	Ref. No.	SM501303
description	bracket for sharpener units L 52mm W 30mm H 61mm hole \varnothing 12mm mounting thread M8 aluminium		

1



Part No.	696241	Ref. No.	AME436
description	bracket for sharpener units L 57mm W 25mm H 54mm hole \varnothing 12mm mounting thread M6 aluminium		
For models:	PERLA 250 CE DOM		

knobs

1



Part No.	697516	Ref. No.	19562700 19564018
description	locking screw thread M5 handle \varnothing 25mm L 8mm		

1




Part No.	697384	Ref. No.	AME428
description	locking screw thread M6 handle \varnothing 25mm black L 54mm		
For models:	PERLA 250 CE DOM		


1





Part No.	697514	Ref. No.	SM592400
description	locking screw thread M8 handle \varnothing 30mm L 60mm		





			
1			
Part No.	697445	Ref. No.	SM211413
description	mushroom cap handle thread M6 handle ø 33mm L 26mm plastic black		


spindles			
			
1			
Part No.	696215	Ref. No.	AME412
description	spindle grindstone D1 ø 5mm D2 ø 6mm L 65mm thread M6 IT M4 220-250		
For models:	PERLA 250 CE DOM		

			
1			
Part No.	696216	Ref. No.	AME424
description	spindle grindstone D1 ø 6mm D2 ø 10mm L 63mm thread M6 220-250		
For models:	PERLA 250 CE DOM		


			
1			
Part No.	696214	Ref. No.	AMA802 AMA804
description	spindle grindstone D1 ø 6mm D2 ø 10mm L 70mm thread M6 195-220		
For models:	PERLA 220 CE DOM		


			
1			
Part No.	696217	Ref. No.	SM570201
description	spindle grindstone D1 ø 6mm D2 ø 12mm L 78mm thread M6 250-300		


			
1			
Part No.	696222	Ref. No.	AME442
description	spindle for sharpener units ø 12mm L 67mm thread M8		
For models:	PERLA 250 CE DOM		


			
1			
Part No.	696223	Ref. No.	SM540501
description	spindle for sharpener units ø 12mm L 98mm thread M8 250-300		


accessories			
			
1			
Part No.	696258	Ref. No.	AME464
description	ball for sharpener units ø 4.8mm metal		
For models:	PERLA 250 CE DOM		

			
1			
Part No.	696256	Ref. No.	SM150401
description	oval head screw thread M3 L 3.2mm push button		


			
1			
Part No.	696271	Ref. No.	AME427
description	oval head screw thread M3 L 4.2mm push button		
For models:	PERLA 250 CE DOM		

			
1			
Part No.	696218	Ref. No.	AME450
description	thread bolt for sharpener units thread M5 ø 5mm L 30mm		
For models:	PERLA 250 CE DOM		


grindstones			
			
1			
Part No.	697565	Ref. No.	19300101
description	grindstone ø 40mm thickness 10mm bore ø 6mm grained fine with bevel, without hub		


			
1			
Part No.	697492	Ref. No.	SM260101old
description	grindstone ø 40mm thickness 11mm bore ø 6mm grained coarse with bevel, without hub		





			
1			
Part No.	697549	Ref. No.	19300201
description	grindstone ø 40mm thickness 7.8mm bore ø 6mm grained fine with bevel, without hub		


			
1			
Part No.	697797	Ref. No.	19300107N SM260101
description	grindstone ø 43mm thickness 12mm bore ø 6mm grained coarse with bevel, with hub		

			
1			
Part No.	697505	Ref. No.	SM260102
description	grindstone ø 43mm thickness 8mm bore ø 6mm grained fine with bevel, without hub		

			
1			
Part No.	698197	Ref. No.	19300207
description	grindstone ø 45mm thickness 8mm bore ø 6mm grained fine with bevel, without hub		

			
1			
Part No.	698198	Ref. No.	19300107C AVA416
description	grindstone ø 45mm thickness 9mm bore ø 6mm grained coarse with bevel, without hub		


			
1			
Part No.	697393	Ref. No.	19300108C 19300108C.10
description	grindstone ø 48mm thickness 15mm bore ø 8mm grained coarse with bevel, without hub		


			
1			
Part No.	697392	Ref. No.	19300209
description	grindstone ø 50mm thickness 8mm bore ø 8mm grained fine with bevel, without hub		


grindstones with hub

			
1			
Part No.	697424	Ref. No.	19300301
description	grindstone ø 40mm thickness 8mm bore ø 6mm grained coarse with bevel, with hub		
For models:	PERLA 220 CE DOM, PERLA 250 CE DOM		

			
1			
Part No.	697423	Ref. No.	19300401
description	grindstone ø 40mm thickness 8mm bore ø 6mm grained fine with bevel, with hub		
For models:	PERLA 220 CE DOM, PERLA 250 CE DOM		

			
1			
Part No.	697421	Ref. No.	N/A
description	grindstone ø 45mm thickness 8mm bore ø 6mm grained coarse with bevel, with hub		

			
1			
Part No.	697422	Ref. No.	N/A
description	grindstone ø 45mm thickness 8mm bore ø 6mm grained fine with bevel, with hub		

			
1			
Part No.	698637	Ref. No.	N/A
description	grindstone ø 48mm thickness 8mm bore ø 8mm grained fine with bevel, with hub		



1			
Part No.	697358	Ref. No.	AMP416
description	grindstone ø 50mm thickness 8mm bore ø 6mm grained fine with bevel, with hub		

1			
Part No.	697593	Ref. No.	19300208
description	grindstone ø 50mm thickness 8mm bore ø 8mm grained coarse with bevel, with hub		

1			
Part No.	697592	Ref. No.	N/A
description	grindstone ø 50mm thickness 8mm bore ø 8mm grained fine with bevel, with hub		

carriages

handles

1			
Part No.	696830	Ref. No.	AVA256
description	adjusting knob thread M10 handle ø 66mm H 51mm black		

1			
Part No.	697381	Ref. No.	19562803
description	handle thread M12 handle ø 66mm H 50mm black		

1			
Part No.	697515	Ref. No.	SM19014009
description	locking screw thread M8 handle ø 50mm 275-300 L 14mm		

1			
Part No.	691263	Ref. No.	IB4200910
description	pull handle L 160mm H 56mm mounting distance 133mm thread M8		
For models:	SALAMANDRA PRO 1/1G CE		

1			
Part No.	697443	Ref. No.	19562504 19564013
description	star handle thread M8 ø 50mm L 29mm black		
For models:	PERLA 220 CE DOM, PERLA 250 CE DOM		

holders

1			
Part No.	696237	Ref. No.	SM500818
description	bracket L 190mm W 100mm mounting distance 48mm suitable for carriage 275-300		

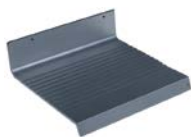
1			
Part No.	696235	Ref. No.	AMC258
description	bracket L 195mm W 85mm mounting distance 33mm suitable for carriage 220		
For models:	PERLA 220 CE DOM		



1

Part No.	696236	Ref. No.	AMG258
description	bracket L 200mm W 85mm mounting distance 33mm suitable for carriage 250		
For models:	PERLA 250 CE DOM		

carriage plates



1

Part No.	697527	Ref. No.	AME264A
description	carriage L 20mm W 22mm mounting distance 33mm suitable for slicer 220 SIRMAN		
For models:	PERLA 220 CE DOM		



1

Part No.	697528	Ref. No.	AMG264A
description	carriage L 24mm W 23mm mounting distance 33mm suitable for slicer 250 SIRMAN		
For models:	PERLA 250 CE DOM		



1

Part No.	697529	Ref. No.	195104012
description	carriage L 250mm W 275mm mounting distance 33mm suitable for slicer 275-300 SIRMAN		

accessories



1

Part No.	696707	Ref. No.	19526062
description	bracket for bolt 300		



1

Part No.	696250	Ref. No.	AMA289
description	bracket thread M5 L 25mm ID ø 10mm thickness 20mm 220-250		
For models:	PERLA 220 CE DOM, PERLA 250 CE DOM		



1

Part No.	696280	Ref. No.	19560101
description	spacer ring ø 22mm ID ø 10mm thickness 3mm PTFE 220-250		

miscellaneous



1

Part No.	696248	Ref. No.	AMA028
description	bracket thread M10x0.75 ø 30mm for microswitch ID ø 15.2mm thickness 17mm mounting thread M6		
For models:	PERLA 220 CE DOM, PERLA 250 CE DOM		



1

Part No.	696249	Ref. No.	19540905
description	bracket thread M10x0.75 ø 35mm for microswitch ID ø 20.2mm thickness 15mm mounting thread M8 250-300		



1

Part No.	696277	Ref. No.	AMC680
description	connection plate L 37mm W 25mm for motor thickness 4mm hole ø 6mm hole distance 15.5mm		
For models:	PERLA 220 CE DOM, PERLA 250 CE DOM		



1

Part No.	696219	Ref. No.	AMC670
description	thread bolt thread M6 ø 11mm L 74mm for motor hole ø 5mm		
For models:	PERLA 220 CE DOM, PERLA 250 CE DOM		



for bandsaws

wipers



Part No.	697772	Ref. No.	LF2001032
description	wiper L 45mm W 25mm thickness 3mm plastic S01650/S02020		

impellers



Part No.	699620	Ref. No.	LF2001037
description	impellor upper disc ø 210mm shaft intake ø 40mm disc width 16mm overall width 32mm for bandsaw		

saw blades

width 16mm



Part No.	699019	Ref. No.	28045136
description	saw blade L 1360mm W 16mm thickness 0.5mm tooth spacing 6mm		



Part No.	699025	Ref. No.	28045152
description	saw blade L 1520mm W 16mm thickness 0.5mm tooth spacing 6mm		



Part No.	699026	Ref. No.	28045155
description	saw blade L 1550mm W 16mm thickness 0.5mm tooth spacing 6mm		



Part No.	699033	Ref. No.	28041565
description	saw blade L 1650mm W 16mm thickness 0.5mm tooth spacing 6mm		



Part No.	699037	Ref. No.	28045180
description	saw blade L 1800mm W 16mm thickness 0.5mm tooth spacing 6mm		



Part No.	699040	Ref. No.	28045184
description	saw blade L 1840mm W 16mm thickness 0.5mm tooth spacing 6mm		



Part No.	699003	Ref. No.	28045202
description	saw blade L 2020mm W 16mm thickness 0.5mm tooth spacing 6mm		



Part No.	699049	Ref. No.	28045240
description	saw blade L 2400mm W 16mm thickness 0.5mm tooth spacing 6mm		



Part No.	699043	Ref. No.	28045294
description	saw blade L 2940mm W 16mm thickness 0.5mm tooth spacing 6mm Qty 1 pcs		



Part No.	699060	Ref. No.	28045310
description	saw blade L 3100mm W 16mm thickness 0.5mm tooth spacing 6mm		

width 20mm



Part No.	699171	Ref. No.	28044165 28046165
description	saw blade L 1650mm W 20mm thickness 0.5mm tooth spacing 6mm teeth diamant coating		



Part No.	699004	Ref. No.	28044202
description	saw blade L 2020mm W 20mm thickness 0.5mm tooth spacing 6mm		



miscellaneous



1

Part No.	699624	Ref. No.	LF1201001
-----------------	--------	-----------------	-----------

description	cap cover for impellor ø 40mm H 7mm		
--------------------	-------------------------------------	--	--



1

Part No.	699623	Ref. No.	LF2001014
-----------------	--------	-----------------	-----------

description	insert lower L 31mm W 15mm H 15mm		
--------------------	-----------------------------------	--	--



1

Part No.	699622	Ref. No.	LF2001028
-----------------	--------	-----------------	-----------

description	plain washer chamfered ø 9-28mm H 5mm		
--------------------	---------------------------------------	--	--



1

Part No.	699626	Ref. No.	IX2472042
-----------------	--------	-----------------	-----------

description	retaining ring for impellor metal ø 46mm H 1.7mm		
--------------------	--	--	--



1

Part No.	698965	Ref. No.	LF2010008
-----------------	--------	-----------------	-----------

description	screw ø 30mm H 45mm		
--------------------	---------------------	--	--



1

Part No.	696834	Ref. No.	LF1210002
-----------------	--------	-----------------	-----------

description	shaft seal ID ø 25mm ED ø 40mm thickness 5mm		
--------------------	--	--	--

for meat mincers

gearboxes



1

Part No.	696204	Ref. No.	29401800
-----------------	--------	-----------------	----------

description	gearbox motor shaft ø 11mm flange ø 90mm transmission 1/30 drive shaft ø 14mm type 30		
--------------------	---	--	--

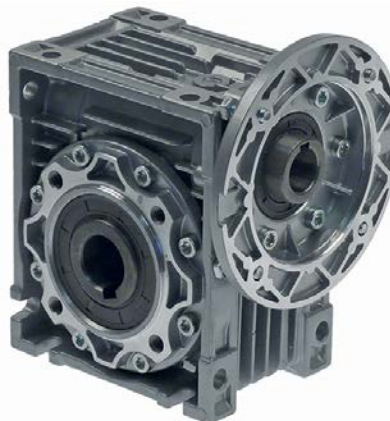


1

Part No.	698164	Ref. No.	LF2043015
-----------------	--------	-----------------	-----------

description	gearbox motor shaft ø 19mm flange ø 120mm transmission 1/49 drive shaft ø 25mm type FRS60		
--------------------	---	--	--

For models:	IP30, MASTER30		
--------------------	----------------	--	--



1

Part No.	698162	Ref. No.	LF2039210
-----------------	--------	-----------------	-----------

description	gearbox motor shaft ø 19mm flange ø 120mm transmission 1/7 drive shaft ø 25mm Mod.12-22		
--------------------	---	--	--

For models:	TC12RIO, TC22FR, TC22LAPORTE, TC22RIO		
--------------------	---------------------------------------	--	--



1	Part No.	698163	Ref. No.	LF2039414
	description	gearbox motor shaft \varnothing 19mm flange \varnothing 120mm transmission 1/7 drive shaft \varnothing 25mm type FRS60 Mod.32		
	For models:	MASTER30, TC32BU, TC32FR, TC32LAPORTE, TC32RIO		

gear wheels



1	Part No.	698148	Ref. No.	IV2320500
	description	auger \varnothing 35.5mm shaft intake \varnothing 17mm W 45mm for mincer Mod.12		
	For models:	TC 12 MAGNUM INGRANAGGI CE, TC12M, TCG12M		



1	Part No.	698028	Ref. No.	MF0110
	description	gear wheel double \varnothing 32/70mm shaft intake \varnothing 15mm W 30mm teeth 18/41 splitting tooth width 14/11mm DIN/ISO Mod.12-22		
	For models:	TCG12E, TCG22E		



1	Part No.	698027	Ref. No.	MF0111
	description	gear wheel \varnothing 25mm shaft intake \varnothing 10mm teeth 13 splitting tooth width 20mm DIN/ISO Mod.12-22		
	For models:	TCG12E, TCG22E		



1	Part No.	698149	Ref. No.	IV2330500
	description	gear wheel \varnothing 61mm shaft intake \varnothing 17mm teeth 27 tooth width 20mm Mod.12		
	For models:	TC 12 MAGNUM INGRANAGGI CE, TC12M, TCG12M		



1	Part No.	698029	Ref. No.	MF0112
	description	gear wheel \varnothing 64mm shaft intake \varnothing 16mm teeth 39 splitting tooth width 13mm DIN/ISO Mod.12-22		
	For models:	TCG12E, TCG22E		



1	Part No.	698101	Ref. No.	LF2032010
	description	gear wheel set		
	For models:	TC12F, TC22F		



1	Part No.	698130	Ref. No.	LF2032608
	description	gear wheel set		
	For models:	TC12CHICAGO, TC22PF, TC32CHICAGO, TC32PF		



1	Part No.	698139	Ref. No.	LF2034010
	description	gear wheel set		
	For models:	TC32IND, TC42IND		

drive shafts

for blades



1	Part No.	698038	Ref. No.	MF0127 MF2127
	description	drive shaft ENTERPRISE model 12 \varnothing 9.5mm L 53mm thread M12x1.75 D1 \varnothing 20mm thread L 20mm		
	For models:	TCG12E		



1	Part No.	698106	Ref. No.	LF2031004
	description	drive shaft ENTERPRISE model 12 \varnothing 9.6mm L 74mm thread M16x1.5 D1 \varnothing 21.5mm thread L 24mm		
	For models:	TC12CHICAGO, TC12F, TC12RIO		



1

Part No.	698056	Ref. No.	MF0194
description	drive shaft ENTERPRISE model 22 \varnothing 11mm L 53mm thread M12x1.75 D1 \varnothing 22mm thread L 18mm		
For models:	TCG22E		



1

Part No.	698110	Ref. No.	LF2032008
description	drive shaft ENTERPRISE model 22 \varnothing 11mm L 76mm thread M16x1.5 D1 \varnothing 21.5mm thread L 24mm		
For models:	TC22CHICAGO, TC22F, TC22FR, TC22LAPORTE, TC22PF, TC22RIO		



1

Part No.	698135	Ref. No.	LF2033013
description	spindle ENTERPRISE model 32 \varnothing 13mm L 87mm thread M20x1.5 D1 \varnothing 29.5mm thread L 28mm		
For models:	MASTER30, TC32BU, TC32CHICAGO, TC32FR, TC32IND, TC32LAPORTE, TC32PF, TC32RIO		



1

Part No.	698146	Ref. No.	LF2034004
description	spindle ENTERPRISE model 42 \varnothing 20mm L 113mm thread M20x1.5 D1 \varnothing 34.5mm thread L 35mm		
For models:	TC42IND		



1

Part No.	698066	Ref. No.	MF0200
description	drive shaft Unger model 22 \varnothing 12/15mm L 80mm stainless steel thread M12x1.75		

for augers



1

Part No.	698159	Ref. No.	LF2037012
description	drive shaft model 12 \varnothing 16mm L 95mm D1 \varnothing 25mm shaft diameter 17x17mm		
For models:	TCG12M		



1

Part No.	698150	Ref. No.	IV2080500
description	drive shaft model 12 \varnothing 17mm L 128mm D1 \varnothing 25mm shaft diameter 17x17mm		
For models:	TC 12 MAGNUM INGRANAGGI CE, TC12M, TCG12M		



1

Part No.	698031	Ref. No.	MF0115
description	drive shaft model 12-22 \varnothing 17mm L 78mm D1 \varnothing 25mm shaft diameter 10x23mm		
For models:	TCG12E, TCG22E		



1


Part No.	698103	Ref. No.	LF2032019
description	drive shaft model 12-22 \varnothing 20mm L 153mm D1 \varnothing 45mm		
For models:	TC12F, TC22F		




1


Part No.	698165	Ref. No.	LF2039212
description	drive shaft model 12-22 \varnothing 25mm L 121mm D1 \varnothing 35mm shaft diameter 15x35mm		
For models:	TC12RIO, TC22FR, TC22RIO		





			
1			
Part No.	699621	Ref. No.	LF2032621
description	drive shaft model 12-22-32 \varnothing 40/25/20mm L 97mm shaft diameter 15x40mm		


			
1			
Part No.	698131	Ref. No.	LF2032604
description	drive shaft model 22-32		
For models:	TC12CHICAGO, TC22PF, TC32CHICAGO, TC32PF		

			
1			
Part No.	698168	Ref. No.	LF2095010
description	drive shaft model 30 \varnothing 25mm L 169mm D1 \varnothing 30mm shaft diameter 10X30mm		
For models:	IP30, MASTER30		

			
1			
Part No.	698167	Ref. No.	LF2039725
description	drive shaft model 30 \varnothing 25mm L 205mm D1 \varnothing 40mm shaft diameter 15x40mm		
For models:	MASTER30		

			
1			
Part No.	698144	Ref. No.	LF2034006
description	drive shaft model 42		
For models:	TC42IND		

			
1			
Part No.	698140	Ref. No.	LF2033505
description	drive shaft \varnothing 53mm stainless steel L 120mm		
For models:	TC32IND		

			
1			
Part No.	698166	Ref. No.	LF2039412
description	drive shaft type 32 \varnothing 25mm L 170mm D1 \varnothing 40mm shaft diameter 15x40mm		
For models:	TC32FR, TC32RIO		

			
1			
Part No.	698102	Ref. No.	LF2032011
description	spindle D1 \varnothing 25mm \varnothing 16mm L 42mm Mod.12-22 thread M12x1.5 total length 71mm		
For models:	TC12F, TC22F		

			
1			
Part No.	698030	Ref. No.	MF0108
description	spindle \varnothing 15mm L 31mm Mod.12-22 thread M14x1.5 total length 46mm		
For models:	TCG12E, TCG22E		



locking screws

locking levers



1

Part No.	698184	Ref. No.	LF2033016
description	locking lever model 32 thread M25 \varnothing 25mm lever length 75mm thread L 22mm total length 105mm		



1

Part No.	698093	Ref. No.	MF0352
description	locking lever thread M10 \varnothing 28mm lever length 70mm thread L 30mm plastic total length 77mm		



1

Part No.	698115	Ref. No.	LF2032015
description	locking lever thread M25 thread L 20mm \varnothing 25mm lever length 65mm total length 86mm		

locking screws



1

Part No.	698092	Ref. No.	MF0118 MF2115
description	locking screw thread M10 thread L 30mm handle \varnothing 60mm plastic		
For models:	TC22E CE, TCG 22 E CE		



1

Part No.	698296	Ref. No.	29561600
description	locking screw thread M8 thread L 26mm handle \varnothing 47mm black plastic edition unitl 07/2014		



1

Part No.	698183	Ref. No.	29561651 IV4200500
description	locking screw thread M8 L 26mm handle \varnothing 40mm		
For models:	TC 12 MAGNUM INGRANAGGI CE		

lids



1

Part No.	698017	Ref. No.	MF0367
description	lid model 12-22 \varnothing 100mm plastic mounting distance 85mm		
For models:	GF, TCG12E, TCG22E		
accessories for	698017		

plug for lid \varnothing 75mm plastic for meat mincer/cheese grater

Part No.	699592	Ref. No.	—
-----------------	--------	-----------------	---



1

Part No.	698010	Ref. No.	MF0002
description	lid model 8 \varnothing 78mm plastic mounting distance 70mm		
For models:	GP		

gaskets



1

Part No.	501593	Ref. No.	LF1232608
description	flat gasket rubber ED \varnothing 76mm ID \varnothing 58mm thickness 1mm Qty 1 pcs		



1

Part No.	698305	Ref. No.	LF1232605
description	gasket for mincer thickness 0.9mm for gearbox		



funnel trays



1

Part No.	698077	Ref. No.	MF0373 MF2113
description	hopper filling pipe central L 275mm W 200mm H 50mm tube ø 52mm		



1

Part No.	698179	Ref. No.	IV2270500 LF2037041
description	hopper filling pipe central L 340mm W 250mm H 60mm tube ø 52mm		
For models:	TC 12 MAGNUM INGRANAGGI CE		



1

Part No.	698113	Ref. No.	LF2032016
description	hopper filling pipe central L 340mm W 250mm H 60mm tube ø 56mm		



1

Part No.	698076	Ref. No.	MF0181
description	hopper filling pipe central L 370mm W 250mm H 60mm tube ø 52mm		
For models:	TCG22E		



1

Part No.	698175	Ref. No.	LF2032805
description	hopper filling pipe central L 410mm W 320mm H 60mm tube ø 52mm		



1

Part No.	698174	Ref. No.	LF2033017
description	hopper filling pipe central L 500mm W 350mm H 70mm tube ø 76mm		

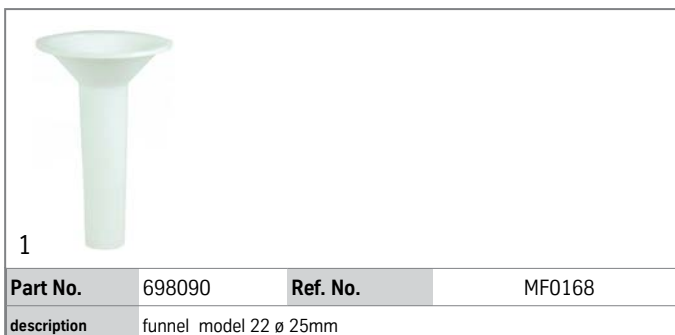
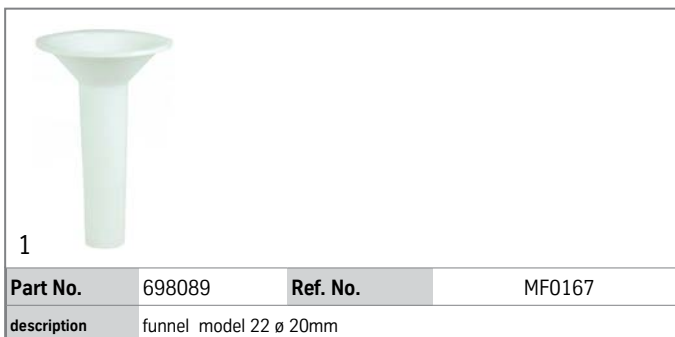
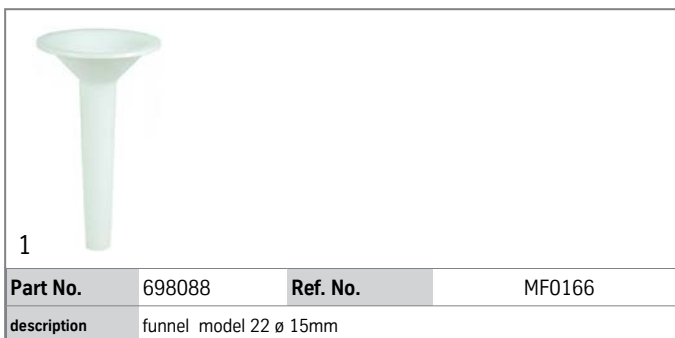
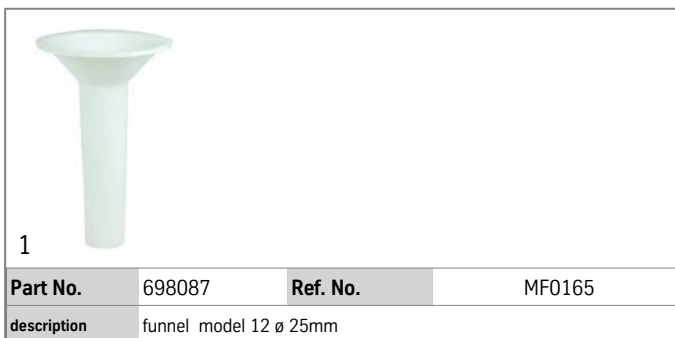
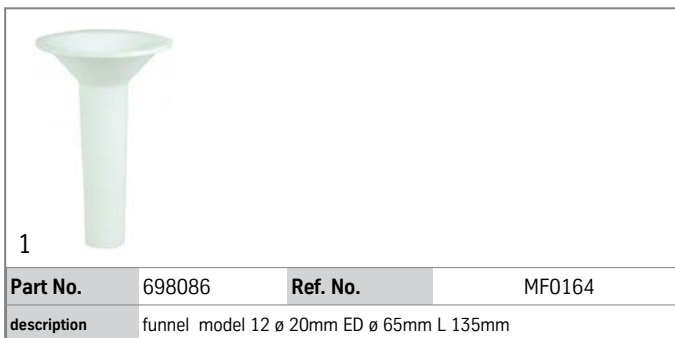
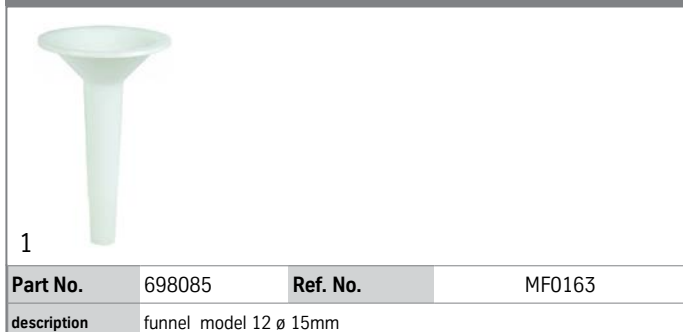


1

Part No.	698176	Ref. No.	LF2033503
description	hopper filling pipe central L 810mm W 410mm H 80mm tube ø 76mm		



funnels





holders



1

Part No.	698237	Ref. No.	29661200
description	bracket model 8 ID \varnothing 51mm hole \varnothing 7mm mounting distance 65mm plastic H 40mm for motor mounting distance 1 84mm		



1

Part No.	698235	Ref. No.	29030501
description	bracket model 8 \varnothing 57mm ID \varnothing 42mm hole \varnothing 7mm mounting distance 84mm aluminium		

grinder plates

ENTERPRISE

with 1 notch

with hub



1

Part No.	696117	Ref. No.	2810 120 10X
description	grinder plate type ENTERPRISE size 12 hole \varnothing 10mm with hub grooves 1 stainless steel \varnothing 70mm		



1

Part No.	696118	Ref. No.	2810 120 12X
description	grinder plate type ENTERPRISE size 12 hole \varnothing 12mm with hub grooves 1 stainless steel \varnothing 70mm		



1

Part No.	696119	Ref. No.	2810 120 14X
description	grinder plate type ENTERPRISE size 12 hole \varnothing 14mm with hub grooves 1 stainless steel \varnothing 70mm		



1

Part No.	696120	Ref. No.	2810 120 16X
description	grinder plate type ENTERPRISE size 12 hole \varnothing 16mm with hub grooves 1 stainless steel \varnothing 70mm		



1

Part No.	696121	Ref. No.	2810 120 18X
description	grinder plate type ENTERPRISE size 12 hole \varnothing 18mm with hub grooves 1 stainless steel \varnothing 70mm		



1

Part No.	696122	Ref. No.	2810 120 20X
description	grinder plate type ENTERPRISE size 12 hole \varnothing 20mm with hub grooves 1 stainless steel \varnothing 70mm		



1

Part No.	696130	Ref. No.	2810 220 10X
description	grinder plate type ENTERPRISE size 22 hole ø 10mm with hub grooves 1 stainless steel ø 82mm		



1

Part No.	696134	Ref. No.	2810 220 18X
description	grinder plate type ENTERPRISE size 22 hole ø 18mm with hub grooves 1 stainless steel ø 82mm		



1

Part No.	696131	Ref. No.	2810 220 12X
description	grinder plate type ENTERPRISE size 22 hole ø 12mm with hub grooves 1 stainless steel ø 82mm		



1

Part No.	696135	Ref. No.	2810 220 20X
description	grinder plate type ENTERPRISE size 22 hole ø 20mm with hub grooves 1 stainless steel ø 82mm		



1

Part No.	696132	Ref. No.	2810 220 14X
description	grinder plate type ENTERPRISE size 22 hole ø 14mm with hub grooves 1 stainless steel ø 82mm		



1

Part No.	696144	Ref. No.	2810 320 10X
description	grinder plate type ENTERPRISE size 32 hole ø 10mm with hub grooves 1 stainless steel ø 98mm		



1

Part No.	696133	Ref. No.	2810 220 16X
description	grinder plate type ENTERPRISE size 22 hole ø 16mm with hub grooves 1 stainless steel ø 82mm		



1

Part No.	696145	Ref. No.	2810 320 12X
description	grinder plate type ENTERPRISE size 32 hole ø 12mm with hub grooves 1 stainless steel ø 98mm		



1

Part No.	696146	Ref. No.	2810 320 14X
description	grinder plate type ENTERPRISE size 32 hole ø 14mm with hub grooves 1 stainless steel ø 98mm		

1

Part No.	696147	Ref. No.	2810 320 16X
description	grinder plate type ENTERPRISE size 32 hole ø 16mm with hub grooves 1 stainless steel ø 98mm		

1

Part No.	696148	Ref. No.	2810 320 18X
description	grinder plate type ENTERPRISE size 32 hole ø 18mm with hub grooves 1 stainless steel ø 98mm		

1

Part No.	696149	Ref. No.	2810 320 20X
description	grinder plate type ENTERPRISE size 32 hole ø 20mm with hub grooves 1 stainless steel ø 98mm		

1

Part No.	696155	Ref. No.	2810 420 10X
description	grinder plate type ENTERPRISE size 42 hole ø 10mm with hub grooves 1 stainless steel ø 130mm		

1

Part No.	696156	Ref. No.	2810 420 12X
description	grinder plate type ENTERPRISE size 42 hole ø 12mm with hub grooves 1 stainless steel ø 130mm		

1

Part No.	696157	Ref. No.	2810 420 14X
description	grinder plate type ENTERPRISE size 42 hole ø 14mm with hub grooves 1 stainless steel ø 130mm		

1

Part No.	696158	Ref. No.	2810 420 16X
description	grinder plate type ENTERPRISE size 42 hole ø 16mm with hub grooves 1 stainless steel ø 130mm		



1

Part No.	696159	Ref. No.	2810 420 18X
description	grinder plate type ENTERPRISE size 42 hole ø 18mm with hub grooves 1 stainless steel ø 130mm		



1

Part No.	696160	Ref. No.	2810 420 20X
description	grinder plate type ENTERPRISE size 42 hole ø 20mm with hub grooves 1 stainless steel ø 130mm		



1

Part No.	696151	Ref. No.	2810 420 35X
description	grinder plate type ENTERPRISE size 42 hole ø 3.5mm with hub grooves 1 stainless steel ø 130mm		



1

Part No.	696150	Ref. No.	2810 420 3X
description	grinder plate type ENTERPRISE size 42 hole ø 3mm with hub grooves 1 stainless steel ø 130mm		



1

Part No.	696152	Ref. No.	2810 420 45X
description	grinder plate type ENTERPRISE size 42 hole ø 4.5mm with hub grooves 1 stainless steel ø 130mm		



1

Part No.	696153	Ref. No.	2810 420 6X
description	grinder plate type ENTERPRISE size 42 hole ø 6mm with hub grooves 1 stainless steel ø 130mm		



1

Part No.	696154	Ref. No.	2810 420 8X
description	grinder plate type ENTERPRISE size 42 hole ø 8mm with hub grooves 1 stainless steel ø 130mm		

with 2 notches

with hub



1

Part No.	696111	Ref. No.	2810 120 2X
description	grinder plate type ENTERPRISE size 12 hole ø 2mm with hub grooves 2 stainless steel ø 70mm		




1

Part No.	696113	Ref. No.	2810 120 35X
description	grinder plate type ENTERPRISE size 12 hole \varnothing 3.5mm with hub grooves 2 stainless steel \varnothing 70mm		



1

Part No.	696116	Ref. No.	2810 120 8X
description	grinder plate type ENTERPRISE size 12 hole \varnothing 8mm with hub grooves 2 stainless steel \varnothing 70mm		




1

Part No.	696112	Ref. No.	2810 120 3X
description	grinder plate type ENTERPRISE size 12 hole \varnothing 3mm with hub grooves 2 stainless steel \varnothing 70mm		



1

Part No.	696124	Ref. No.	2810 220 2X
description	grinder plate type ENTERPRISE size 22 hole \varnothing 2mm with hub grooves 2 stainless steel \varnothing 82mm		



1

Part No.	696114	Ref. No.	2810 120 45X
description	grinder plate type ENTERPRISE size 12 hole \varnothing 4.5mm with hub grooves 2 stainless steel \varnothing 70mm		



1

Part No.	696126	Ref. No.	2810 220 35X
description	grinder plate type ENTERPRISE size 22 hole \varnothing 3.5mm with hub grooves 2 stainless steel \varnothing 82mm		



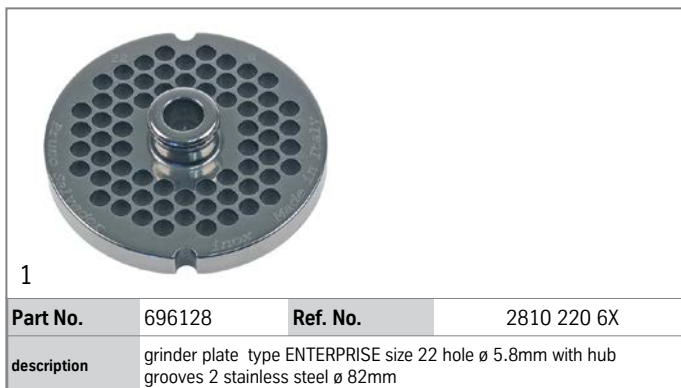
1


Part No.	696115	Ref. No.	2810 120 6X
description	grinder plate type ENTERPRISE size 12 hole \varnothing 6mm with hub grooves 2 stainless steel \varnothing 70mm		



1


Part No.	696125	Ref. No.	2810 220 3X
description	grinder plate type ENTERPRISE size 22 hole \varnothing 3mm with hub grooves 2 stainless steel \varnothing 82mm		




1

Part No.	696143	Ref. No.	2810 320 8X
description	grinder plate type ENTERPRISE size 32 hole ø 8mm with hub grooves 2 stainless steel ø 100mm		



1

Part No.	696101	Ref. No.	2810 0803X
description	grinder plate type ENTERPRISE size 8 hole ø 3mm with hub grooves 2 stainless steel ø 62mm		



1


Part No.	696103	Ref. No.	2810 080 45X
description	grinder plate type ENTERPRISE size 8 hole ø 4.5mm with hub grooves 2 stainless steel ø 62mm		



1


Part No.	696104	Ref. No.	2810 080 6X
description	grinder plate type ENTERPRISE size 8 hole ø 6mm with hub grooves 2 stainless steel ø 62mm		

UNGER




1

Part No.	696299	Ref. No.	2812 120 10
description	grinder plate type Unger size 12 hole ø 10mm flat grooves 1 stainless steel ø 69.6mm		




1

Part No.	696301	Ref. No.	2812 120 16
description	grinder plate type Unger size 12 hole ø 16mm flat grooves 1 stainless steel ø 69.6mm		




1

Part No.	696017	Ref. No.	2812 120 3
description	grinder plate type Unger size 12 hole ø 3mm flat grooves 1 stainless steel ø 69.6mm		



1

Part No.	696018	Ref. No.	2812 120 45
description	grinder plate type Unger size 12 hole ø 4.5mm flat grooves 1 stainless steel ø 69.6mm		



1

Part No.	696297	Ref. No.	2812 120 6
description	grinder plate type Unger size 12 hole ø 6mm flat grooves 1 stainless steel ø 69.6mm		



Part No.	696298	Ref. No.	2812 120 8
description	grinder plate type Unger size 12 hole ø 8mm flat grooves 1 stainless steel ø 69.6mm		



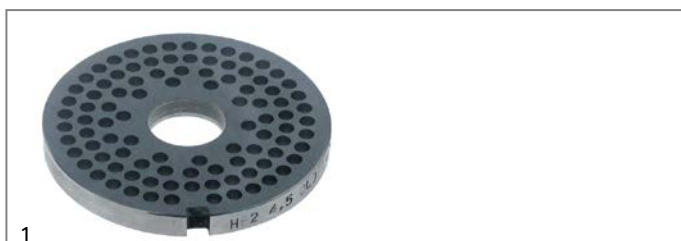
Part No.	696306	Ref. No.	2812 220 10
description	grinder plate type Unger size 22 hole ø 10mm flat grooves 1 stainless steel ø 81.6mm		



Part No.	696308	Ref. No.	2812 220 16
description	grinder plate type Unger size 22 hole ø 16mm flat grooves 1 stainless steel ø 81.6mm		



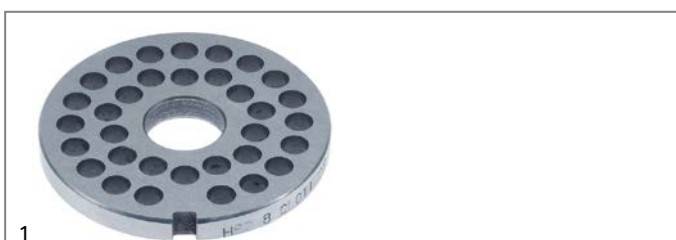
Part No.	696302	Ref. No.	2812 220 3
description	grinder plate type Unger size 22 hole ø 3mm flat grooves 1 stainless steel ø 81.6mm		



Part No.	696303	Ref. No.	2812 220 45
description	grinder plate type Unger size 22 hole ø 4.5mm flat grooves 1 stainless steel ø 81.6mm		



Part No.	696304	Ref. No.	2812 220 6
description	grinder plate type Unger size 22 hole ø 6mm flat grooves 1 stainless steel ø 81.6mm		



Part No.	696305	Ref. No.	2812 220 8
description	grinder plate type Unger size 22 hole ø 8mm flat grooves 1 stainless steel ø 81.6mm		



Part No.	696313	Ref. No.	2812 320 10
description	grinder plate type Unger size 32 hole ø 10mm flat grooves 1 stainless steel ø 97.6mm		



Part No.	696315	Ref. No.	2812 320 16
description	grinder plate type Unger size 32 hole ø 16mm flat grooves 1 stainless steel ø 97.6mm		



Part No.	696309	Ref. No.	2812 320 3
description	grinder plate type Unger size 32 hole ø 3mm flat grooves 1 stainless steel ø 97.6mm		



1			
Part No.	696310	Ref. No.	2812 320 45
description	grinder plate type Unger size 32 hole ø 4.5mm flat grooves 1 stainless steel ø 97.6mm		

1			
Part No.	696316	Ref. No.	2812 420 3
description	grinder plate type Unger size 42 hole ø 3mm flat grooves 1 stainless steel ø 130mm		

1			
Part No.	696311	Ref. No.	2812 320 6
description	grinder plate type Unger size 32 hole ø 6mm flat grooves 1 stainless steel ø 97.6mm		

1			
Part No.	696317	Ref. No.	2812 420 45
description	grinder plate type Unger size 42 hole ø 4.5mm flat grooves 1 stainless steel ø 130mm		

1			
Part No.	696312	Ref. No.	2812 320 8
description	grinder plate type Unger size 32 hole ø 8mm flat grooves 1 stainless steel ø 97.6mm		

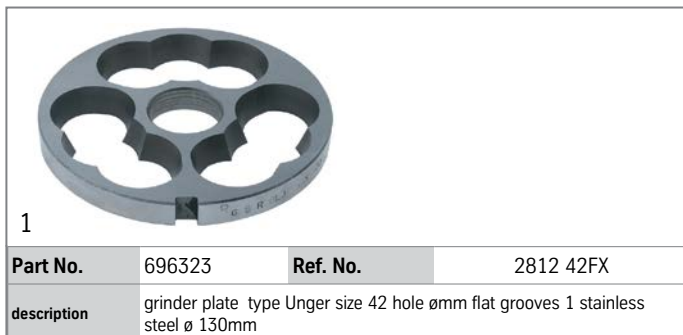
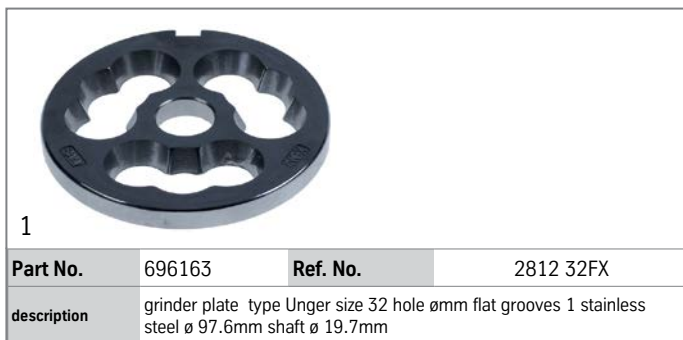
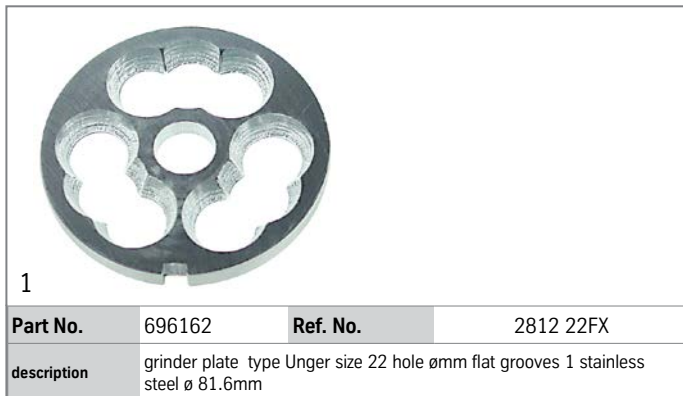
1			
Part No.	696318	Ref. No.	2812 420 6
description	grinder plate type Unger size 42 hole ø 6mm flat grooves 1 stainless steel ø 130mm		

1			
Part No.	696320	Ref. No.	2812 420 10
description	grinder plate type Unger size 42 hole ø 10mm flat grooves 1 stainless steel ø 130mm		

1			
Part No.	696319	Ref. No.	2812 420 8
description	grinder plate type Unger size 42 hole ø 8mm flat grooves 1 stainless steel ø 130mm		

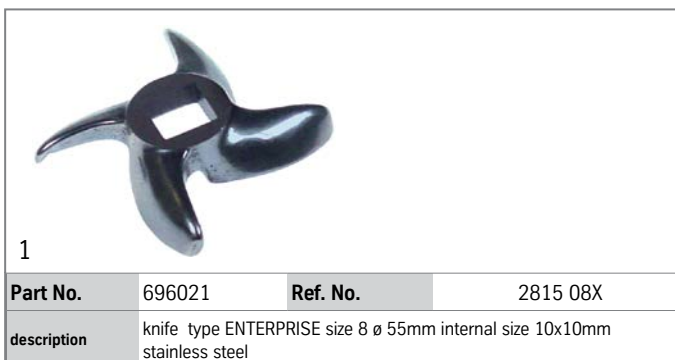
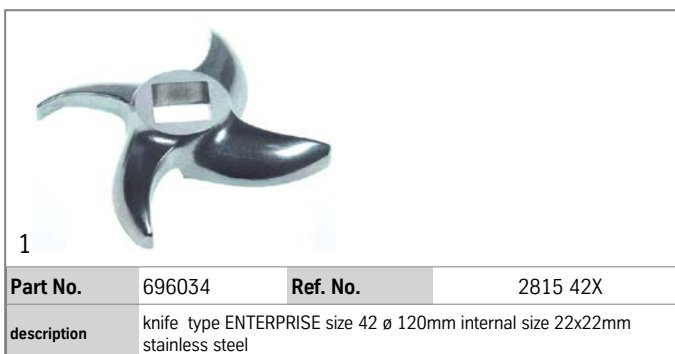
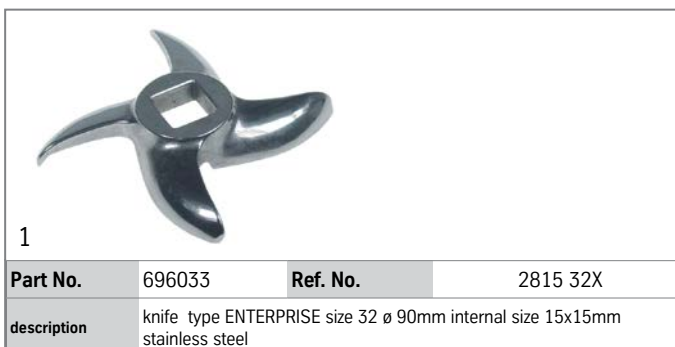
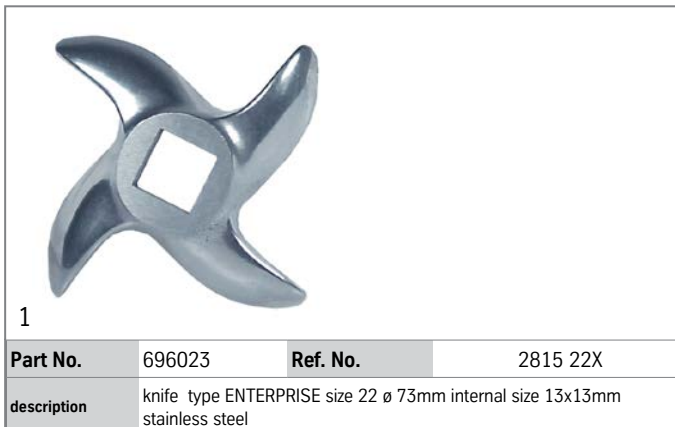
1			
Part No.	696322	Ref. No.	2812 420 16
description	grinder plate type Unger size 42 hole ø 16mm flat grooves 1 stainless steel ø 130mm		

1			
Part No.	696161	Ref. No.	2812 12FX
description	grinder plate type Unger size 12 hole ø 6mm flat grooves 1 stainless steel ø 69.6mm		
For models:	TC12F, TCG12E		



blades

ENTERPRISE





UNGER

with fixed blades



1

Part No.	696032	Ref. No.	28030520 2815 32UX
description	knife type Unger size B-98 (32) ø 90mm stainless steel		



1

Part No.	696031	Ref. No.	2815 22UX
description	knife type Unger size H-82 (22) ø 73mm stainless steel		



1

Part No.	696030	Ref. No.	2815 12UX
description	knife type Unger size R-70 (12) ø 62mm stainless steel		

spacer rings



1

Part No.	698068	Ref. No.	2803 055 2
description	spacer ring type Unger size H-82 (22) ø 81.5mm H 18mm		



1

Part No.	698047	Ref. No.	LF311D DX
description	spacer ring type Unger size R-70 (12) ø 69.5mm H 15mm		

ring nuts



1

Part No.	698049	Ref. No.	MF2134
description	ring nut Unger model 12 stainless steel		



1

Part No.	698070	Ref. No.	MF2254
description	ring nut Unger model 22 stainless steel thread M94x2		



1


Part No.	698147	Ref. No.	LF2034103
description	ring nut Unger model 42 stainless steel		
For models:	TC42IND		




1


Part No.	698161	Ref. No.	IV2540505L LF2037074
description	ring nut ENTERPRISE model 12 ID ø 62mm stainless steel		
For models:	TC 12 MAGNUM INGRANAGGI CE, TC12M, TCG12M		




			
1			
Part No.	698231	Ref. No.	29030401
description	ring nut ENTERPRISE model 8 ID ø 68mm aluminium		



			
1			
Part No.	698136	Ref. No.	LF2032607
description	ring nut model 32 cast iron		
For models:	TC32PF		

			
1			
Part No.	698138	Ref. No.	LF2033103
description	ring nut model 32 ID ø 90mm stainless steel		
For models:	MASTER30, TC32BU, TC32CHICAGO, TC32FR, TC32IND, TC32LAPORTE, TC32RIO		

			
1			
Part No.	698107	Ref. No.	LF2031003
description	ring nut Unger model 12 ED ø 84mm thickness 26mm ID ø 62mm stainless steel thread M78x2		
For models:	TC12CHICAGO, TC12F, TC12RIO		

			
1			
Part No.	698040	Ref. No.	MF0133 MF2133
description	ring nut Unger model 12 ED ø 89mm thickness 27mm ID ø 64mm stainless steel thread M82x2		
For models:	TCG12E		


			
1			
Part No.	698039	Ref. No.	MF0132 MF2132
description	ring nut Unger model 12 ID ø 78mm aluminium		
For models:	TCG12E		

			
1			
Part No.	698111	Ref. No.	LF2032007
description	ring nut Unger model 22 ED ø 103mm thickness 28mm ID ø 74mm stainless steel thread M96x2		
For models:	TC22CHICAGO, TC22F, TC22FR, TC22LAPORTE, TC22RIO		
accessories for	698111		
	Part No.	698108	Ref. No. LF2032005
auger chamber ENTERPRISE model 22 stainless steel			


			
1			
Part No.	698057	Ref. No.	MF0187 MF2220
description	ring nut Unger model 22 ID ø 73mm aluminium		
For models:	TC22E CE, TCG 22 E CE, TCG22E		





			
1			
Part No.	698133	Ref. No.	LF2032503
description	ring nut Unger model 22 ID ø 73mm cast iron		
For models:	TC22PF		


			
1			
Part No.	698058	Ref. No.	MF0188 MF2221
description	ring nut Unger model 22 ID ø 74mm stainless steel thread M94x2		
For models:	TC22E CE, TCG 22 E CE, TCG22E		


augers
complete


			
1			
Part No.	696008	Ref. No.	MF0143
description	auger aluminium		


			
1			
Part No.	696011	Ref. No.	MF0274
description	auger cast iron Unger		


			
1			
Part No.	698975	Ref. No.	29030311
description	auger model 12 ø 52mm L 108mm aluminium with spindle ENTERPRISE		

			
1			
Part No.	698037	Ref. No.	F2124PS MF0126 MF2124 MF2124+MF2127
description	auger model 12 ø 53mm L 135mm stainless steel with spindle ENTERPRISE		
For models:	TCG12E		

			
1			
Part No.	698035	Ref. No.	MF2122 MF2122+MF2127
description	auger model 12 ø 53mm L 140mm aluminium with spindle ENTERPRISE		

			
1			
Part No.	698043	Ref. No.	MF2125 MF2125+MF2128
description	auger model 12 ø 53mm L 145mm cast iron with spindle Unger		

			
1			
Part No.	698044	Ref. No.	MF2126 MF2126+MF2129
description	auger model 12 ø 53mm L 145mm stainless steel with spindle Unger		

			
1			
Part No.	698036	Ref. No.	MF0125 MF2123 MF2123+MF2127
description	auger model 12 ø 53mm L 150mm cast iron with spindle ENTERPRISE		
For models:	TCG12E		



1



Part No.	699185	Ref. No.	LF2031004+LF2038010
description	auger model 12 stainless steel with drive shaft ENTERPRISE		

1



Part No.	698053	Ref. No.	F2214PS MF0183 MF2214 MF2214+MF2217
description	auger model 22 ø 63mm L 150mm aluminium with spindle ENTERPRISE		
For models:	TC22E CE, TCG 22 E CE, TCG22E		

1



Part No.	698054	Ref. No.	MF0182 MF2215 MF2215+MF2217
description	auger model 22 ø 63mm L 150mm cast iron with spindle ENTERPRISE		
For models:	TC22E CE, TCG 22 E CE, TCG22E		

1



Part No.	698063	Ref. No.	F2242PU MF0356 MF2242 MF2242+MF2243 MF2242+MF2252
description	auger model 22 ø 63mm L 175mm cast iron with spindle Unger		

1



Part No.	698055	Ref. No.	MF0184 MF2216 MF2216+MF2217
description	auger model 22 ø 64mm L 150mm stainless steel with spindle ENTERPRISE		
For models:	TC22E CE, TCG 22 E CE, TCG22E		

1



Part No.	698062	Ref. No.	MF0199 MF0353 MF2251 MF2251+MF2252
description	auger model 22 ø 64mm L 175mm stainless steel with spindle Unger		

1



Part No.	698304	Ref. No.	LF2032912
description	auger model 32 ø 63mm L 200mm stainless steel conical complete		

1



Part No.	698228	Ref. No.	29030301
description	auger model 8 ø 45mm L 100mm aluminium with spindle ENTERPRISE		

1



Part No.	698160	Ref. No.	IV2520505L LF2037072
description	auger ø 53mm L 115mm stainless steel standard shaft diameter 17x17mm with spindle type Mod.12		
For models:	TC 12 MAGNUM INGRANAGGI CE, TC12M, TCG12M		



1

Part No.	696010	Ref. No.	MF0196
description	auger stainless steel Unger		

without bolt




1

Part No.	698105	Ref. No.	LF2031002
description	auger model 12 ø 45mm L 180mm stainless steel with spindle		
For models:	TC12CHICAGO, TC12F		



1

Part No.	698170	Ref. No.	LF2038010
description	auger model 12 stainless steel		
For models:	TC12RIO		



1

Part No.	698132	Ref. No.	LF2032502
description	auger model 22 cast iron		
For models:	TC22PF		



1

Part No.	698171	Ref. No.	LF2038310
description	auger model 22 ø 59mm L 125mm stainless steel		
For models:	TC22FR, TC22LAPORTE, TC22RIO		



1

Part No.	698109	Ref. No.	LF2032006
description	auger model 22 stainless steel		
For models:	TC22CHICAGO, TC22F		




1

Part No.	698134	Ref. No.	LF2032606
description	auger model 32 ø 70mm L 140mm cast iron		
For models:	TC32PF		




1

Part No.	698172	Ref. No.	LF2038610
description	auger model 32 ø 74mm L 165mm stainless steel		
For models:	TC32FR, TC32LAPORTE, TC32RIO		

1

Part No.	698141	Ref. No.	LF2033102
description	auger model 32 stainless steel		
For models:	TC32IND		



1

Part No.	698173	Ref. No.	LF2039703
description	auger model 32 stainless steel ENTERPRISE		
For models:	MASTER30, TC32BU		



1

Part No.	698145	Ref. No.	LF2034102
description	auger model 42 ø 102mm L 240mm stainless steel		
For models:	TC42IND		

augers chambers

outer parts



1

Part No.	698232	Ref. No.	IV2540500L
description	auger chamber ENTERPRISE model 12 inlet ø 58mm stainless steel		
For models:	TC 12 MAGNUM INGRANAGGI CE		



1

Part No.	698230	Ref. No.	29030201
description	auger chamber ENTERPRISE model 8 aluminium edition unitl 07/2014		



1

Part No.	698514	Ref. No.	29030201.14
description	auger chamber ENTERPRISE model 8 inlet ø 52mm aluminium edition since 08/2014		



1

Part No.	698243	Ref. No.	MF2110 ø 52
description	body ENTERPRISE model 12 inlet ø 52mm aluminium		


inner parts




1

Part No.	698032	Ref. No.	MF0272 MF2117
description	auger chamber ENTERPRISE model 12 inlet ø 56mm cast iron		
For models:	TCG32E		



			
1			
Part No.	698104	Ref. No.	LF2031001
description	auger chamber ENTERPRISE model 12 inlet ø 60mm stainless steel		
For models:	TC12F, TC12RIO		

			
1			
Part No.	698034	Ref. No.	MF0123 MF2118
description	auger chamber ENTERPRISE model 12 inlet ø 61mm stainless steel		
For models:	TCG12E		

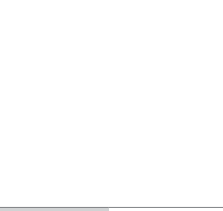
			
1			
Part No.	698050	Ref. No.	MF0180 MF2212
description	auger chamber ENTERPRISE model 22 inlet ø 62mm aluminium		
For models:	TC22E CE, TCG 22 E CE, TCG22E		


			
1			
Part No.	698051	Ref. No.	MF0179 MF2210
description	auger chamber ENTERPRISE model 22 inlet ø 62mm cast iron		
For models:	TC22E CE, TCG 22 E CE, TCG22E		

			
1			
Part No.	698052	Ref. No.	MF2211
description	auger chamber ENTERPRISE model 22 inlet ø 62mm stainless steel thread M94x2		
For models:	TC22E CE, TCG 22 E CE		
accessories for	698052		
	Part No.	690058	Ref. No. —
	counter support for off-set 19mm mounting distance 14.25mm W 28mm L 52mm H 50mm type 6000/6004 no. 6000-020701		

			
1			
Part No.	698108	Ref. No.	LF2032005
description	auger chamber ENTERPRISE model 22 stainless steel		
For models:	TC22F, TC22FR, TC22LAPORTE, TC22RIO		
accessories for	698108		
	Part No.	698111	Ref. No. LF2032007
	ring nut Unger model 22 ED ø 103mm thickness 28mm ID ø 74mm stainless steel thread M96x2		

			
1			
Part No.	698169	Ref. No.	LF2033101
description	auger chamber ENTERPRISE model 32 inlet ø 77mm stainless steel		
For models:	TC32FR, TC32RIO		

			
1			
Part No.	696005	Ref. No.	MF0273
description	auger chamber Unger cast iron		

			
1			
Part No.	698041	Ref. No.	MF2120
description	auger chamber Unger model 12 inlet ø 59mm cast iron		

			
1			
Part No.	698042	Ref. No.	MF2121
description	auger chamber Unger model 12 stainless steel		



1

Part No.	698059	Ref. No.	MF0355 MF2240
description	auger chamber Unger model 22 inlet ø 62mm cast iron		
For models:	TCG22E		



1

Part No.	698061	Ref. No.	F2255 + F2213 MF0198 MF2255
description	auger chamber Unger model 22 inlet ø 62mm cast iron for double-bladed knife		



1

Part No.	698060	Ref. No.	MF0354 MF2250
description	auger chamber Unger model 22 stainless steel		

1

Part No.	696004	Ref. No.	MF0195
description	auger chamber Unger stainless steel		

miscellaneous

1

Part No.	696013	Ref. No.	MF0197
description	bolt		



1

Part No.	698363	Ref. No.	LF2034008
description	casing cover for gearbox		



1

Part No.	698967	Ref. No.	LF1039710
description	magnet ø 32mm		

plungers



1


Part No.	698229	Ref. No.	29561800
description	plunger ø 41mm L 95mm total length 200mm		

1

Part No.	698080	Ref. No.	MF0139 MF0190 MF2114 MF2208
description	plunger ø 46mm L 120mm total length 240mm plastic hollow		
For models:	TC22E CE, TCG 22 E CE		

1

Part No.	698659	Ref. No.	LF2032017
description	plunger ø 48mm L 125mm total length 280mm plastic hollow		

1

Part No.	698371	Ref. No.	LF2035861
description	plunger ø 48mm L 165mm total length 320mm		



1

Part No.	698182	Ref. No.	LF1533004
description	plunger ø 50mm L 165mm total length 310mm		

for cutters

drive shafts



1

Part No.	693940	Ref. No.	MSC04N104
description	drive shaft D1 ø 65mm ø 15mm L 170mm C4-C4VV		
For models:	C9VV CE		



1


Part No.	694348	Ref. No.	MSC06N104	
description	drive shaft D1 ø 65mm ø 15mm L 233mm C6 CE/VT/VV			
For models:	C9VV CE			
accessories for	694348			
	Part No.	698305	Ref. No.	LF1232605
	gasket for mincer thickness 0.9mm for gearbox			



1

Part No.	694347	Ref. No.	MSC09V104
description	drive shaft D1 ø 85mm ø 20mm L 295mm C9VV CE		

containers



1

Part No.	697290	Ref. No.	MSC09V076
description	container C9VV edition since 10/2003		



1

Part No.	698976	Ref. No.	40750080
description	sump GN 1/3 H 200mm plastic		
For models:	TV-TM INOX, TV-TM INOX07		

lids



1

Part No.	691247	Ref. No.	MSC04N052
description	lid for cutter ø 225mm ID ø 204mm plastic C4-C6 edition until 08/2003		



1

Part No.	691664	Ref. No.	MSC04V052A
description	lid for cutter \varnothing 225mm ID \varnothing 204mm plastic with gasket C4-C6 edition since 08/2003		
For models:	C9VV CE		



1

Part No.	693943	Ref. No.	MSC09V052A
description	lid for cutter \varnothing 265mm ID \varnothing 240mm plastic with gasket C9VV edition since 10/2003		



1

Part No.	693784	Ref. No.	MSC15N052
description	lid for cutter \varnothing 300mm ID \varnothing 280mm plastic C15		

blades

spacer rings

1

Part No.	696035	Ref. No.	MSC04N068P
description	spacer ring ED \varnothing 60mm int. \varnothing 1 30mm H 12mm mounting distance 46mm 4 hole hole \varnothing 4.2mm plastic C4-C4VV		
For models:	C9VV CE		



1

Part No.	696020	Ref. No.	MSC04N068
description	spacer ring ED \varnothing 60mm int. \varnothing 1 30mm H 14mm mounting distance 46mm 4 hole hole \varnothing 4.2mm plastic C4-C4VV		
For models:	C9VV CE		
accessories for	696020		



Part No.	696037	Ref. No.	MSC04N062
description	blade holder ED \varnothing 60mm int. \varnothing 1 15mm int. \varnothing 2 30mm H 77mm mounting distance 46mm 4 hole hole \varnothing 3mm plastic C4-C4VV		



Part No.	696174	Ref. No.	MSC04N064F
description	mixer mounting pos. upper L 98mm seat \varnothing 33mm mounting distance 46mm 4 hole hole \varnothing 4.4mm thickness 2mm model C4-C6		



Part No.	696175	Ref. No.	MSC04N072F
description	knife mounting pos. lower L 93mm seat \varnothing 33mm mounting distance 46mm 4 hole hole \varnothing 4.4mm thickness 2mm model C4-C6		



Part No.	696176	Ref. No.	MSC04N064
description	knife mounting pos. upper L 98mm seat \varnothing 33mm mounting distance 46mm 4 hole hole \varnothing 4.4mm thickness 2mm model C4-C6		



Part No.	696177	Ref. No.	MSC04N072
description	knife mounting pos. lower L 93mm seat \varnothing 33mm mounting distance 46mm 4 hole hole \varnothing 4.4mm thickness 2mm model C4-C6		



Part No.	696178	Ref. No.	MSC04N064Z
description	knife mounting pos. upper L 98mm seat \varnothing 42mm mounting distance 46mm 4 hole hole \varnothing 4.4mm thickness 2mm model C4-C6		



Part No.	696179	Ref. No.	MSC04N072Z
description	knife mounting pos. lower L 93mm seat \varnothing 33mm mounting distance 46mm 4 hole hole \varnothing 4.4mm thickness 2mm model C4-C6		



1

Part No.	696042	Ref. No.	MSC06N068P
description	spacer ring ED \varnothing 60mm int. \varnothing 1 30mm H 18mm mounting distance 46mm 4 hole hole \varnothing 4.2mm plastic C6-C6VV		
For models:	C9VV CE		
accessories for	696042		

















Part No.	696040	Ref. No.	MSC06N062P
description	blade holder ED \varnothing 60mm int. \varnothing 1 15mm int. \varnothing 2 30mm H 128mm mounting distance 46mm 4 hole hole \varnothing 3mm plastic \varnothing 60 C6-C6VV-mm		








Part No.	696180	Ref. No.	MSC04N064V
description	knife mounting pos. upper L 98mm seat \varnothing 33mm mounting distance 46mm 4 hole hole \varnothing 4.4mm thickness 2mm model C4-C6		



			
1			
Part No.	696041	Ref. No.	MSC06N068
description	spacer ring ED ø 60mm int. ø 1 30mm H 20mm mounting distance 46mm 4 hole hole ø 4.2mm plastic C6-C6VV		
For models:	C9VV CE		
accessories for	696041		
	Part No.	696039	Ref. No. MSC06N062
	blade holder ED ø 60mm int. ø 1 15mm int. ø 2 30mm H 133mm mounting distance 46mm 4 hole hole ø 3mm plastic C6-C6VV		
	Part No.	696174	Ref. No. MSC04N064F
	mixer mounting pos. upper L 98mm seat ø 33mm mounting distance 46mm 4 hole hole ø 4.4mm thickness 2mm model C4-C6		
	Part No.	696175	Ref. No. MSC04N072F
	knife mounting pos. lower L 93mm seat ø 33mm mounting distance 46mm 4 hole hole ø 4.4mm thickness 2mm model C4-C6		
	Part No.	696176	Ref. No. MSC04N064
	knife mounting pos. upper L 98mm seat ø 33mm mounting distance 46mm 4 hole hole ø 4.4mm thickness 2mm model C4-C6		
	Part No.	696177	Ref. No. MSC04N072
	knife mounting pos. lower L 93mm seat ø 33mm mounting distance 46mm 4 hole hole ø 4.4mm thickness 2mm model C4-C6		
	Part No.	696178	Ref. No. MSC04N064Z
	knife mounting pos. upper L 98mm seat ø 42mm mounting distance 46mm 4 hole hole ø 4.4mm thickness 2mm model C4-C6		
	Part No.	696179	Ref. No. MSC04N072Z
	knife mounting pos. lower L 93mm seat ø 33mm mounting distance 46mm 4 hole hole ø 4.4mm thickness 2mm model C4-C6		

			
1			
Part No.	696000	Ref. No.	MSC09V068
description	spacer ring ED ø 72mm int. ø 1 38mm H 24mm mounting distance 58mm 4 hole hole ø 5mm plastic C9VV		
accessories for	696000		
	Part No.	696036	Ref. No. MSC09V062
	blade holder ED ø 72mm int. ø 1 20mm int. ø 2 38mm H 165mm mounting distance 58mm 4 hole hole ø 3.5mm plastic C9VV		
	Part No.	696182	Ref. No. MSC09V064F
	mixer mounting pos. upper L 119mm seat ø 42mm mounting distance 58mm 4 hole hole ø 4.4mm thickness 2.5mm model C9VV		
	Part No.	696183	Ref. No. MSC09V072F
	mixer mounting pos. lower L 112mm seat ø 42mm mounting distance 58mm 4 hole hole ø 4.4mm thickness 2.5mm model C9VV		
	Part No.	696184	Ref. No. MSC09V064
	knife mounting pos. upper L 119mm seat ø 42mm mounting distance 58mm 4 hole hole ø 4.4mm thickness 2.5mm model C9VV		
	Part No.	696185	Ref. No. MSC09V072
	knife mounting pos. lower L 112mm seat ø 42mm mounting distance 58mm 4 hole hole ø 4.4mm thickness 2.5mm model C9VV		

accessories for	696000		
	Part No.	696186	Ref. No. MSC09V064Z
	knife mounting pos. upper L 119mm seat ø 42mm mounting distance 58mm 4 hole hole ø 4.4mm thickness 2.5mm model C9VV		
	Part No.	696187	Ref. No. MSC09V072Z
	knife mounting pos. lower L 112mm seat ø 42mm mounting distance 58mm 4 hole hole ø 4.4mm thickness 2.5mm model C9VV		

holders			
			
1			
Part No.	696040	Ref. No.	MSC06N062P
description	blade holder ED ø 60mm int. ø 1 15mm int. ø 2 30mm H 128mm mounting distance 46mm 4 hole hole ø 3mm plastic ø 60 C6-C6VV-mm		
For models:	C9VV CE		
accessories for	696040		
	Part No.	696042	Ref. No. MSC06N068P
	spacer ring ED ø 60mm int. ø 1 30mm H 18mm mounting distance 46mm 4 hole hole ø 4.2mm plastic C6-C6VV		
	Part No.	696180	Ref. No. MSC04N064V
	knife mounting pos. upper L 98mm seat ø 33mm mounting distance 46mm 4 hole hole ø 4.4mm thickness 2mm model C4-C6		

			
1			
Part No.	696039	Ref. No.	MSC06N062
description	blade holder ED ø 60mm int. ø 1 15mm int. ø 2 30mm H 133mm mounting distance 46mm 4 hole hole ø 3mm plastic C6-C6VV		
For models:	C9VV CE		
accessories for	696039		
	Part No.	696041	Ref. No. MSC06N068
	spacer ring ED ø 60mm int. ø 1 30mm H 20mm mounting distance 46mm 4 hole hole ø 4.2mm plastic C6-C6VV		
	Part No.	696174	Ref. No. MSC04N064F
	mixer mounting pos. upper L 98mm seat ø 33mm mounting distance 46mm 4 hole hole ø 4.4mm thickness 2mm model C4-C6		
	Part No.	696175	Ref. No. MSC04N072F
	knife mounting pos. lower L 93mm seat ø 33mm mounting distance 46mm 4 hole hole ø 4.4mm thickness 2mm model C4-C6		

Table continues overleaf



accessories for		696039	
Part No.	696176	Ref. No.	MSC04N064
knife mounting pos. upper L 98mm seat ø 33mm mounting distance 46mm 4 hole hole ø 4.4mm thickness 2mm model C4-C6			
Part No.	696177	Ref. No.	MSC04N072
knife mounting pos. lower L 93mm seat ø 33mm mounting distance 46mm 4 hole hole ø 4.4mm thickness 2mm model C4-C6			
Part No.	696178	Ref. No.	MSC04N064Z
knife mounting pos. upper L 98mm seat ø 42mm mounting distance 46mm 4 hole hole ø 4.4mm thickness 2mm model C4-C6			
Part No.	696179	Ref. No.	MSC04N072Z
knife mounting pos. lower L 93mm seat ø 33mm mounting distance 46mm 4 hole hole ø 4.4mm thickness 2mm model C4-C6			



1

Part No.	696038	Ref. No.	MSC04N062P
description	blade holder ED ø 60mm int. ø 1 15mm int. ø 2 30mm H 72mm mounting distance 46mm 4 hole hole ø 3mm plastic C4-C4VV		
For models:	C9VV CE		
accessories for	696038		
	Part No.	696035	Ref. No. MSC04N068P
spacer ring ED ø 60mm int. ø 1 30mm H 12mm mounting distance 46mm 4 hole hole ø 4.2mm plastic C4-C4VV			
	Part No.	696180	Ref. No. MSC04N064V
knife mounting pos. upper L 98mm seat ø 33mm mounting distance 46mm 4 hole hole ø 4.4mm thickness 2mm model C4-C6			



1

Part No.	696037	Ref. No.	MSC04N062
description	blade holder ED ø 60mm int. ø 1 15mm int. ø 2 30mm H 77mm mounting distance 46mm 4 hole hole ø 3mm plastic C4-C4VV		
For models:	C9VV CE		
accessories for	696037		
	Part No.	696020	Ref. No. MSC04N068
spacer ring ED ø 60mm int. ø 1 30mm H 14mm mounting distance 46mm 4 hole hole ø 4.2mm plastic C4-C4VV			
	Part No.	696174	Ref. No. MSC04N064F
mixer mounting pos. upper L 98mm seat ø 33mm mounting distance 46mm 4 hole hole ø 4.4mm thickness 2mm model C4-C6			
	Part No.	696175	Ref. No. MSC04N072F
knife mounting pos. lower L 93mm seat ø 33mm mounting distance 46mm 4 hole hole ø 4.4mm thickness 2mm model C4-C6			


accessories for		696037	
Part No.	696176	Ref. No.	MSC04N064
knife mounting pos. upper L 98mm seat ø 33mm mounting distance 46mm 4 hole hole ø 4.4mm thickness 2mm model C4-C6			
Part No.	696177	Ref. No.	MSC04N072
knife mounting pos. lower L 93mm seat ø 33mm mounting distance 46mm 4 hole hole ø 4.4mm thickness 2mm model C4-C6			
Part No.	696178	Ref. No.	MSC04N064Z
knife mounting pos. upper L 98mm seat ø 42mm mounting distance 46mm 4 hole hole ø 4.4mm thickness 2mm model C4-C6			
Part No.	696179	Ref. No.	MSC04N072Z
knife mounting pos. lower L 93mm seat ø 33mm mounting distance 46mm 4 hole hole ø 4.4mm thickness 2mm model C4-C6			





1


Part No.	696036	Ref. No.	MSC09V062
description	blade holder ED ø 72mm int. ø 1 20mm int. ø 2 38mm H 165mm mounting distance 58mm 4 hole hole ø 3.5mm plastic C9VV		
accessories for	696036		
	Part No.	696000	Ref. No. MSC09V068
spacer ring ED ø 72mm int. ø 1 38mm H 24mm mounting distance 58mm 4 hole hole ø 5mm plastic C9VV			
	Part No.	696182	Ref. No. MSC09V064F
mixer mounting pos. upper L 119mm seat ø 42mm mounting distance 58mm 4 hole hole ø 4.4mm thickness 2.5mm model C9VV			
	Part No.	696183	Ref. No. MSC09V072F
mixer mounting pos. lower L 112mm seat ø 42mm mounting distance 58mm 4 hole hole ø 4.4mm thickness 2.5mm model C9VV			
	Part No.	696184	Ref. No. MSC09V064
knife mounting pos. upper L 119mm seat ø 42mm mounting distance 58mm 4 hole hole ø 4.4mm thickness 2.5mm model C9VV			
	Part No.	696185	Ref. No. MSC09V072
knife mounting pos. lower L 112mm seat ø 42mm mounting distance 58mm 4 hole hole ø 4.4mm thickness 2.5mm model C9VV			
	Part No.	696186	Ref. No. MSC09V064Z
knife mounting pos. upper L 119mm seat ø 42mm mounting distance 58mm 4 hole hole ø 4.4mm thickness 2.5mm model C9VV			
	Part No.	696187	Ref. No. MSC09V072Z
knife mounting pos. lower L 112mm seat ø 42mm mounting distance 58mm 4 hole hole ø 4.4mm thickness 2.5mm model C9VV			





blades			
blades serrated			
			
1			
Part No.	696187	Ref. No.	MSC09V072Z
description	knife mounting pos. lower L 112mm seat ø 42mm mounting distance 58mm 4 hole hole ø 4.4mm thickness 2.5mm model C9VV		


			
1			
Part No.	696179	Ref. No.	MSC04N072Z
description	knife mounting pos. lower L 93mm seat ø 33mm mounting distance 46mm 4 hole hole ø 4.4mm thickness 2mm model C4-C6		
For models:	C9VV CE		


			
1			
Part No.	696186	Ref. No.	MSC09V064Z
description	knife mounting pos. upper L 119mm seat ø 42mm mounting distance 58mm 4 hole hole ø 4.4mm thickness 2.5mm model C9VV		


			
1			
Part No.	696178	Ref. No.	MSC04N064Z
description	knife mounting pos. upper L 98mm seat ø 42mm mounting distance 46mm 4 hole hole ø 4.4mm thickness 2mm model C4-C6		
For models:	C9VV CE		


blades smooth			
			
1			
Part No.	696185	Ref. No.	MSC09V072
description	knife mounting pos. lower L 112mm seat ø 42mm mounting distance 58mm 4 hole hole ø 4.4mm thickness 2.5mm model C9VV		


			
1			
Part No.	696166	Ref. No.	MSC15N072
description	knife mounting pos. lower L 128mm seat ø 48mm mounting distance 66mm 4 hole hole ø 5.5mm model C15		


			
1			
Part No.	696177	Ref. No.	MSC04N072
description	knife mounting pos. lower L 93mm seat ø 33mm mounting distance 46mm 4 hole hole ø 4.4mm thickness 2mm model C4-C6		
For models:	C9VV CE		

			
1			
Part No.	696184	Ref. No.	MSC09V064
description	knife mounting pos. upper L 119mm seat ø 42mm mounting distance 58mm 4 hole hole ø 4.4mm thickness 2.5mm model C9VV		

			
1			
Part No.	696165	Ref. No.	MSC15N064
description	knife mounting pos. upper L 136mm seat ø 48mm mounting distance 66mm 4 hole hole ø 5.5mm model C15		

			
1			
Part No.	696176	Ref. No.	MSC04N064
description	knife mounting pos. upper L 98mm seat ø 33mm mounting distance 46mm 4 hole hole ø 4.4mm thickness 2mm model C4-C6		
For models:	C9VV CE		

			
1			
Part No.	696180	Ref. No.	MSC04N064V
description	knife mounting pos. upper L 98mm seat ø 33mm mounting distance 46mm 4 hole hole ø 4.4mm thickness 2mm model C4-C6		
For models:	C9VV CE		

			
1			
Part No.	696181	Ref. No.	MSC04N064P
description	knife mounting pos. upper L 98mm seat ø 33mm mounting distance 46mm 4 hole hole ø 4.4mm thickness 2mm model C4-C6		
For models:	C9VV CE		



mixers



1

Part No.	696183	Ref. No.	MSC09V072F
description	mixer mounting pos. lower L 112mm seat \varnothing 42mm mounting distance 58mm 4 hole hole \varnothing 4.4mm thickness 2.5mm model C9VV		



1

Part No.	696182	Ref. No.	MSC09V064F
description	mixer mounting pos. upper L 119mm seat \varnothing 42mm mounting distance 58mm 4 hole hole \varnothing 4.4mm thickness 2.5mm model C9VV		



1

Part No.	696174	Ref. No.	MSC04N064F
description	mixer mounting pos. upper L 98mm seat \varnothing 33mm mounting distance 46mm 4 hole hole \varnothing 4.4mm thickness 2mm model C4-C6		
For models:	C9VV CE		

blades with adaptor (complete)



1

Part No.	696171	Ref. No.	MSC06AMON
description	knife complete \varnothing 196mm H 157mm C6-C6VV		



1

Part No.	696164	Ref. No.	MSC04AMON	
description	knife complete \varnothing 196mm H 95mm C4-C4VV			
spare parts for	696164			
	Part No.	696176	Ref. No.	MSC04N064
	knife mounting pos. upper L 98mm seat \varnothing 33mm mounting distance 46mm 4 hole hole \varnothing 4.4mm thickness 2mm model C4-C6			
	Part No.	696177	Ref. No.	MSC04N072
	knife mounting pos. lower L 93mm seat \varnothing 33mm mounting distance 46mm 4 hole hole \varnothing 4.4mm thickness 2mm model C4-C6			



1

Part No.	696169	Ref. No.	MSC09AMON
description	knife complete \varnothing 238mm H 194mm C9VV		

protective coverings



1

Part No.	696189	Ref. No.	MSC04N075
description	protective covering for cutter blade mounting pos. lower model C4-C6		
For models:	C9VV CE		



1

Part No.	696188	Ref. No.	MSC04N073
description	protective covering for cutter blade mounting pos. upper model C4-C6		
For models:	C9VV CE		

miscellaneous




1

Part No.	696190	Ref. No.	MSC04N174
description	grindstone for knife L 60mm W 25mm thickness 12mm with handle		
For models:	C9VV CE		



1

Part No.	696378	Ref. No.	MSC04N028
description	guide for container plastic		
For models:	C9VV CE		

1

Part No.	696191	Ref. No.	MSC04N200
description	scraper L 121mm W 82mm plastic		
For models:	C9VV CE		

for vegetable slicers

lids



1


Part No.	696198	Ref. No.	IV2280010
description	lid for vegetable slicer stainless steel ø 220mm TM		
For models:	TV-TM INOX, TV-TM INOX07		

press levers



1


Part No.	698186	Ref. No.	IV98407400
description	plunger ø 50mm H 140mm plastic TMA		
For models:	TV-TM INOX, TV-TM INOX07		



1

Part No.	697900	Ref. No.	IV4010000
description	press lever L 180mm W 145mm H 140mm plastic TM		
For models:	TV-TM INOX, TV-TM INOX07		


holders



1

Part No.	696100	Ref. No.	IV4010030
description	bracket for microswitch H 39mm L 65mm W 26mm TM		
For models:	TV-TM INOX, TV-TM INOX07		

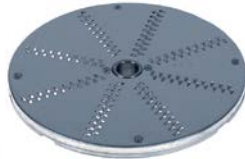
ejector discs



1


Part No.	697294	Ref. No.	40751DESP
description	ejector H 17mm seat ø 25mm hole distance 41mm TMA		
For models:	TV-TM INOX, TV-TM INOX07		

grating discs



1


Part No.	697497	Ref. No.	40751DT02
description	grating disc type DT2 ø 205mm seat ø 19mm slicing thickness 2mm SS/aluminium		





1


Part No.	697489	Ref. No.	40751DT03
description	grating disc type DT3 ø 205mm seat ø 19mm slicing thickness 3mm SS/aluminium		



			
1			
Part No.	696167	Ref. No.	40751DT04
description	grating disc type DT4 ø 205mm seat ø 19mm slicing thickness 4mm SS/aluminium		

			
1			
Part No.	697491	Ref. No.	40751DT07
description	grating disc type DT7 ø 205mm seat ø 19mm H 34.5mm slicing thickness 7mm SS/aluminium		

			
1			
Part No.	697498	Ref. No.	40751DT09
description	grating disc type DT9 ø 205mm seat ø 19mm slicing thickness 9mm SS/aluminium		


			
1			
Part No.	697496	Ref. No.	40751DTV
description	grating disc type DTV ø 205mm seat ø 19mm SS/aluminium		


cutting discs

blades smooth

cutting discs


			
1			
Part No.	697504	Ref. No.	40751DF01
description	slicing disk type DF1 ø 205mm seat ø 19mm slicing thickness 1mm aluminium		


			
1			
Part No.	697502	Ref. No.	40751DF10
description	slicing disk type DF10 ø 205mm seat ø 19mm slicing thickness 10mm aluminium		

			
1			
Part No.	697494	Ref. No.	40751DF14
description	slicing disk type DF14 ø 205mm seat ø 19mm slicing thickness 14mm aluminium		

			
1			
Part No.	697302	Ref. No.	40751DF02
description	slicing disk type DF2 ø 205mm seat ø 19mm slicing thickness 2mm aluminium		

			
1			
Part No.	697503	Ref. No.	40751DF03
description	slicing disk type DF3 ø 205mm seat ø 19mm slicing thickness 3mm aluminium		

			
1			
Part No.	697485	Ref. No.	40751DF04
description	slicing disk type DF4 ø 205mm seat ø 19mm slicing thickness 4mm aluminium		

			
1			
Part No.	697484	Ref. No.	40751DF08
description	slicing disk type DF8 ø 205mm seat ø 19mm slicing thickness 8mm aluminium		





blades round


			
1			
Part No.	697303	Ref. No.	40751DF05
description	slicing disk type DF5 ø 205mm seat ø 19mm slicing thickness 5mm aluminium		

stick slicing discs

			
1			
Part No.	697488	Ref. No.	40751DQ10
description	stick slicing disc type DQ10 ø 205mm seat ø 19mm slicing thickness 10mm aluminium		


			
1			
Part No.	697493	Ref. No.	40751DQ04
description	stick slicing disc type DQ4 ø 205mm seat ø 19mm slicing thickness 4mm aluminium		


			
1			
Part No.	697495	Ref. No.	40751DQ06
description	stick slicing disc type DQ6 ø 205mm seat ø 19mm slicing thickness 6mm aluminium		

			
1			
Part No.	697486	Ref. No.	40751DQ08
description	stick slicing disc type DQ8 ø 205mm seat ø 19mm slicing thickness 8mm aluminium		

cubing grids


			
1			
Part No.	697490	Ref. No.	40751PS10
description	cubing grid type PS10 ø 210mm seat ø 38mm slicing thickness 10mm aluminium		

			
1			
Part No.	697499	Ref. No.	40751PS14
description	cubing grid type PS14 ø 210mm seat ø 38mm slicing thickness 14mm aluminium		


			
1			
Part No.	697501	Ref. No.	40751PS20
description	cubing grid type PS20 ø 210mm seat ø 38mm slicing thickness 20mm aluminium		

			
1			
Part No.	697487	Ref. No.	40751PS08
description	cubing grid type PS8 ø 210mm seat ø 38mm slicing thickness 8mm aluminium		

spindles

			
1			
Part No.	696098	Ref. No.	IV2080050
description	spindle L1 18.5mm L2 10.5mm D1 ø 6mm D2 ø 5mm for microswitch total length 30.5mm TM		
For models:	TV-TM INOX, TV-TM INOX07		

miscellaneous

			
1			
Part No.	696099	Ref. No.	IV75MTM
description	compression spring ø 7.2mm L 19mm wire gauge ø 0.7mm for microswitch model TM		
For models:	TV-TM INOX, TV-TM INOX07		



1

Part No.	110703	Ref. No.	IV4000800
description	cylindrical handle thread M10 ø 28mm L 87mm		
For models:	TCG12M		



1

Part No.	696192	Ref. No.	IV7400010
description	latch mounting distance 15mm stainless steel TM		
For models:	TV-TM INOX, TV-TM INOX07		

for cheese graters

drive shafts



1

Part No.	699621	Ref. No.	LF2032621
description	drive shaft model 12-22-32 ø 40/25/20mm L 97mm shaft diameter 15x40mm		



1

Part No.	698124	Ref. No.	IB1903400
description	spindle ø 25mm L 350mm OLIMPO		
For models:	OLIMPO		

lids



1

Part No.	698017	Ref. No.	MF0367
description	lid model 12-22 ø 100mm plastic mounting distance 85mm		
For models:	GF, TCG12E, TCG22E		
accessories for	698017		



Part No.	699592	Ref. No.	—
description	plug for lid ø 75mm plastic for meat mincer/cheese grater		



1

Part No.	698010	Ref. No.	MF0002
description	lid model 8 ø 78mm plastic mounting distance 70mm		
For models:	GP		

press levers



1

Part No.	698012	Ref. No.	MF0140
description	press lever Mod.12		
For models:	GF, TCG12E, TCG22E		



1

Part No.	698154	Ref. No.	IV1060405
description	press lever Mod.12		
For models:	TCG12M		



1

Part No.	698236	Ref. No.	MF2162
description	press lever Mod.12-22		
For models:	TCG 22 E CE		



1

Part No.	698127	Ref. No.	IB1263455
description	press lever OLIMPO		
For models:	OLIMPO		

rubbing cylinders

complete



1

Part No.	698158	Ref. No.	IV2020520 LF2037035
description	grating cylinder ø 75mm L 140mm ID ø 14mm shaft ø 15mm stainless steel Mod.12		
For models:	TCG12M		



1

Part No.	698014	Ref. No.	MF0150
description	grating cylinder ø 79mm L 155mm ID ø 25mm Mod.12-22		
For models:	GF, TCG12E, TCG22E		



1

Part No.	698015	Ref. No.	MF0152 MF2158
description	grating cylinder ø 79mm L 155mm ID ø 25mm stainless steel Mod.12-22		
For models:	GF, TCG 22 E CE, TCG12E, TCG22E		

rubbing cylinders



1

Part No.	698128	Ref. No.	IB2303460
description	grating cylinder ø 73mm L 137mm ID ø 69mm stainless steel OLIMPO		
For models:	OLIMPO		



1

Part No.	698234	Ref. No.	MF2156
description	grating cylinder ø 79mm L 142.2mm ID ø 71mm Mod.12-22		
For models:	TCG 22 E CE		

side parts



1

Part No.	698008	Ref. No.	MF0020
description	grating cylinder		
For models:	GP		



1

Part No.	698009	Ref. No.	MF0061
description	grating cylinder		
For models:	GP		



1

Part No.	698129	Ref. No.	IB1223460
description	side panel ID ø 25mm ED ø 69mm W 30mm aluminium OLIMPO		
For models:	OLIMPO		



1

Part No.	698016	Ref. No.	MF0149 MF2155
description	side panel ID ø 25mm ED ø 71mm W 24mm aluminium Mod.12-22		
For models:	GF, TCG 22 E CE, TCG12E, TCG22E		

grating cylinder housings



1

Part No.	698013	Ref. No.	MF0147
description	housing aluminium Mod.12		
For models:	GF, TCG12E, TCG22E		

pulleys



1

Part No.	698125	Ref. No.	IB1023415
description	pulley disc ø 55mm disc width 40mm shaft intake ø 25mm overall width 55mm metal OLIMPO		
For models:	OLIMPO		

gear wheels



1

Part No.	698148	Ref. No.	IV2320500
description	auger ø 35.5mm shaft intake ø 17mm W 45mm for mincer Mod.12		
For models:	TC 12 MAGNUM INGRANAGGI CE, TC12M, TCG12M		



1

Part No.	698028	Ref. No.	MF0110
description	gear wheel double ø 32/70mm shaft intake ø 15mm W 30mm teeth 18/41 splitting tooth width 14/11mm DIN/ISO Mod.12-22		
For models:	TCG12E, TCG22E		



1

Part No.	698027	Ref. No.	MF0111
description	gear wheel ø 25mm shaft intake ø 10mm teeth 13 splitting tooth width 20mm DIN/ISO Mod.12-22		
For models:	TCG12E, TCG22E		




1

Part No.	698149	Ref. No.	IV2330500
description	gear wheel ø 61mm shaft intake ø 17mm teeth 27 tooth width 20mm Mod.12		
For models:	TC 12 MAGNUM INGRANAGGI CE, TC12M, TCG12M		




1


Part No.	698029	Ref. No.	MF0112
description	gear wheel ø 64mm shaft intake ø 16mm teeth 39 splitting tooth width 13mm DIN/ISO Mod.12-22		
For models:	TCG12E, TCG22E		



1

Part No.	696097	Ref. No.	IB2183000
description	bracket L 94mm W 12mm mounting distance 50mm protection cap Athos		

miscellaneous



1

Part No.	698011	Ref. No.	MF0293 MF2160
description	bolt for press lever ø 8mm L 60mm		
For models:	GP, TCG 22 E CE, TCG12E, TCG22E		



1

Part No.	696193	Ref. No.	4IV9840530B IB4023000A
description	protection cap ø 188mm H 51mm mounting distance 95mm plastic white Athos		



1

Part No.	110703	Ref. No.	IV4000800
description	cylindrical handle thread M10 ø 28mm L 87mm		
For models:	TCG12M		

for potato peelers

drive shafts



1

Part No.	696829	Ref. No.	IV2080600
description	drive shaft lower for potato peeler device ø 28/59/16mm L 177mm		
accessories for	696829		
	Part No.	Ref. No.	IV76C5X5X20
	slot nut W 5mm H 5mm L 20mm		


for mozzarella slicers

accessories



1

Part No.	696197	Ref. No.	IB1263050
description	body for mozzarella cutter ø 180mm ID ø 42mm aluminium Athos		




1

Part No.	696054	Ref. No.	RG04270
description	shaft set with gasket and ball bearing potato peeler PP4 Expo shaft 25x14mm		




1

Part No.	696055	Ref. No.	RG08270
description	shaft set with gasket and ball bearing potato peeler PP8-PP15 Expo shaft 28x14mm		
For models:	PP EXPO 4 CE, PP EXPO 8 CE		



1

Part No.	696708	Ref. No.	IV77C7X8X15
description	slot nut for drive shaft L 14mm PPJ/LCJ		

lids




1

Part No.	696199	Ref. No.	RG04002
description	lid potato peeler ø 310mm ID ø 280mm plastic mounting distance 59mm PP4-PP8-PP15 Expo		
For models:	PP EXPO 4 CE, PP EXPO 8 CE		

abrasive side elements

inserts



1

Part No.	696202	Ref. No.	RG04016
description	abrasive band potato peeler ø 300mm L 205mm mounting distance 120mm PP4 Expo		



1

Part No.	696203	Ref. No.	RG08016
description	abrasive band potato peeler ø 300mm L 270mm mounting distance 160mm PP8 Expo		
For models:	PP EXPO 4 CE, PP EXPO 8 CE		



1


Part No.	696828	Ref. No.	IV2426695 IV2466695
description	abrasive band potato peeler ø 330mm L 280mm mounting distance 230mm PPJ 20		

grinding discs




1

Part No.	696201	Ref. No.	RG04025 RG04026
description	grating disc ø 280mm potato peeler PP4-PP8 Expo		
For models:	PP EXPO 4 CE, PP EXPO 8 CE		




1

Part No.	696377	Ref. No.	RG15025
description	grating disc ø 350mm for potato peeler device		



1

Part No.	696346	Ref. No.	IV2426600
description	grating disc ø 390mm for potato peeler device		



1

Part No.	696376	Ref. No.	RGE04110
description	grinding disc ø 280mm for potato peeler device PP4 ECO shaft 28x14		



pulleys



1

Part No.	696047	Ref. No.	RG08268
description	pulley disc ø 116mm disc width 33mm shaft intake ø 16mm overall width 33mm type flat metal for potato peeler device		
For models:	PP EXPO 4 CE, PP EXPO 8 CE		

miscellaneous



1

Part No.	696760	Ref. No.	RG04246
description	plate for motor stainless steel		



1

Part No.	696046	Ref. No.	RG04268
description	pulley disc ø 116mm disc width 25mm shaft intake ø 16mm overall width 25mm type flat metal for potato peeler device		

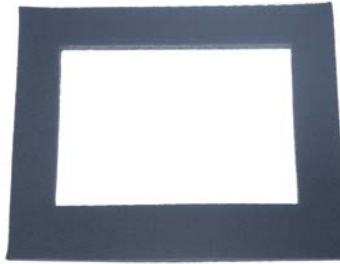


1

Part No.	696044	Ref. No.	RG04250
description	V-ripped belt pulley grooves 8 disc ø 25mm shaft intake ø 10mm disc width 28mm groove depth 2mm groove width 2mm overall width 28mm type TB2.34		

door mechanics

door seals



1

Part No.	696168	Ref. No.	RG04154
description	door seal L 143mm W 120mm thickness 4mm internal size 104x75mm PP4 Expo		



1

Part No.	696051	Ref. No.	RG08052 RG15052
description	door seal L 170mm W 135mm thickness 8mm internal size 90x115mm PP8 Expo		
For models:	PP EXPO 4 CE, PP EXPO 8 CE		

doors



1

Part No.	696052	Ref. No.	RG04136
description	door W 135mm H 115mm with gasket PP4 Expo		



1

Part No.	696049	Ref. No.	RG08050 RG08050+RG08052
description	door W 164mm H 150mm with gasket PP8-PP15 Expo		
For models:	PP EXPO 4 CE, PP EXPO 8 CE		



miscellaneous



Part No.	696045	Ref. No.	RG08038
description	bolt L 59mm SS ø 7mm		
For models:	PP EXPO 4 CE, PP EXPO 8 CE		




Part No.	696048	Ref. No.	RG08040
description	handle L 180mm W 118mm H 50mm aluminium PP8-PP15 Expo		
For models:	PP EXPO 4 CE, PP EXPO 8 CE		



Part No.	696053	Ref. No.	RG04138
description	handle L 180mm W 20mm thickness 6mm SS PP4 Expo		



Part No.	696292	Ref. No.	RG08046	
description	joint L 42mm W 16mm H 16mm IT M8 hole ø 8mm U-shape for door PP8-PP15 Expo			
For models:	PP EXPO 4 CE, PP EXPO 8 CE			
accessories for	696292			
	Part No.	696293	Ref. No.	RG08048
	joint L 70mm W 20mm thickness 8mm thread M8 thread L 20mm hole ø 8.3mm plate for door PP8-PP15 Expo			



Part No.	696293	Ref. No.	RG08048
description	joint L 70mm W 20mm thickness 8mm thread M8 thread L 20mm hole ø 8.3mm plate for door PP8-PP15 Expo		
For models:	PP EXPO 4 CE, PP EXPO 8 CE		

accessories for 696293



Part No.	696292	Ref. No.	RG08046
description	joint L 42mm W 16mm H 16mm IT M8 hole ø 8mm U-shape for door PP8-PP15 Expo		



Part No.	346891	Ref. No.	RG08054
description	magnet ø 6mm L 25mm		
For models:	PP EXPO 4 CE, PP EXPO 8 CE		

for dough mixers

agitators



Part No.	698573	Ref. No.	CINP7-11-03 CINP7-40102800
description	whisk ø 125mm L 190mm hole ø 12mm		

for bar blender

blenders

jar components

jars



Part No.	696081	Ref. No.	IB4050800
description	blender jar plastic 1500ml for mixer Dragone		
For models:	DRAGONE CE		



1

Part No.	696082	Ref. No.	IB4050900
description	blender jar plastic 2000ml for mixer Orione		
For models:	ORIONE CE		

complete



1

Part No.	696084	Ref. No.	IB9865520
description	blender jar plastic 1500ml complete for mixer Dragone		
For models:	DRAGONE CE		



1

Part No.	696083	Ref. No.	IB2260900A
description	blender jar stainless steel 2000ml for mixer Orione		
For models:	ORIONE CE		



1

Part No.	696085	Ref. No.	IB9865521
description	blender jar plastic 1500ml for mixing complete for mixer Dragone		
For models:	DRAGONE CE		



1

Part No.	696087	Ref. No.	IB9865320.04 IB9865341.05
description	blender jar plastic 2000ml complete for mixer Orione		
For models:	ORIONE CE		



1

Part No.	696089	Ref. No.	IB9865323.06
description	blender jar stainless steel 2000ml complete for mixer Orione		
For models:	ORIONE CE		



1

Part No.	696086	Ref. No.	IB9865321.05
description	blender jar plastic 2000ml for mixing complete for mixer Orione		
For models:	ORIONE CE		



1

Part No.	696088	Ref. No.	IB9865324.04
description	blender jar stainless steel 2000ml for mixing complete for mixer Orione		
For models:	ORIONE CE		

lids




1

Part No.	696072	Ref. No.	IB4000820
description	lid ø 148mm plastic nominal-ø 120mm hole ø 48mm Dragone		
For models:	DRAGONE CE		




1


Part No.	696073	Ref. No.	IB4100920
description	lid ø 156mm rubber nominal-ø 136mm hole ø 48mm Orione		
For models:	ORIONE CE		



1


Part No.	696070	Ref. No.	IB4050905
description	lid lock ø 48mm H 50mm plastic		
For models:	DRAGONE CE, ORIONE CE		

gaskets




1

Part No.	696076	Ref. No.	IB4100915
description	gasket silicone ED ø 68mm ID ø 48mm thickness 2mm Qty 1 pcs		
For models:	ORIONE CE		



1

Part No.	696071	Ref. No.	IB4104040
description	O-ring EPDM thickness 3.53mm ID ø 52.39mm Qty 1 pcs		
For models:	ORIONE CE		



1

Part No.	696075	Ref. No.	IB4104031
description	V-ring ID ø 8mm thickness 5mm		
For models:	DRAGONE CE		

holders




1

Part No.	696080	Ref. No.	IB4010910
description	bracket for jar ø 121mm nominal-ø 100mm hole ø 49mm plastic Orione		
For models:	ORIONE CE		

blades


spare blades



1


Part No.	696065	Ref. No.	IB2680900 IB2680901
description	knife W 73mm H 47mm hole ø 6x8mm Orione		
For models:	ORIONE CE		

couplings



1


Part No.	696061	Ref. No.	IB2000801
description	coupling ø 20mm H 10mm stainless steel Dragone		
For models:	DRAGONE CE		



1

Part No.	696062	Ref. No.	IB2000901
description	coupling ø 25mm H 17mm IT M5L stainless steel Orione		
For models:	ORIONE CE		




			
1			
Part No.	696063	Ref. No.	IB2000903
description	coupling ø 28mm H 17mm IT M5L stainless steel Orione		
For models:	ORIONE CE		


blades with adaptor (complete)

			
1			
Part No.	696074	Ref. No.	IB9865335.05
description	slicing unit plastic jar stainless steel Orione		
For models:	ORIONE CE		

			
1			
Part No.	696077	Ref. No.	IB9865336.06
description	slicing unit stainless steel jar ø 70mm stainless steel Orione		
For models:	ORIONE CE		


mixer discs

			
1			
Part No.	696060	Ref. No.	IB2100933
description	mixer disc ø 50mm hole ø 10mm H 6.5mm aluminium Orione		
For models:	ORIONE CE		

			
1			
Part No.	696290	Ref. No.	IB2100932
description	mixer disc ø 50mm hole ø 27mm H 8mm aluminium Orione		
For models:	ORIONE CE		

mixer discs (complete)

			
1			
Part No.	696057	Ref. No.	IB9865322.05
description	mixer disc complete plastic jar ø 70mm stainless steel Orione		
For models:	ORIONE CE		

			
1			
Part No.	696056	Ref. No.	IB9865322.04
description	mixer disc complete stainless steel jar ø 70mm stainless steel Orione		
For models:	ORIONE CE		

spindles


			
1			
Part No.	696291	Ref. No.	IB2100931
description	spindle ø 10mm L 60mm IT M5L Orione		
For models:	ORIONE CE		


			
1			
Part No.	696058	Ref. No.	IB2000902
description	spindle ø 10mm L 76.5mm D1 ø 23.5mm ID ø 21.5mm IT M5L aluminium Orione		
For models:	ORIONE CE		



 <p>1</p>			
Part No.	695169	Ref. No.	IB2000806
description	spindle ø 8mm L 53mm T1: M5L T2: M6L steel Dragone		
For models:	DRAGONE CE		


miscellaneous

 <p>1</p>			
Part No.	695119	Ref. No.	IB2000910
description	cap nuts thread M5L WS 10 SS Qty 1 pcs		
For models:	DRAGONE CE, ORIONE CE		

 <p>1</p>			
Part No.	696064	Ref. No.	IB2000915
description	screw ø 10mm L 13.6mm thread M4		
For models:	ORIONE CE		

 <p>1</p>			
Part No.	696059	Ref. No.	IB2000926
description	union nut ø 70mm ID ø 46.8mm H 10.5mm stainless steel		
For models:	ORIONE CE		

holders

 <p>1</p>			
Part No.	696079	Ref. No.	IB4000810
description	bracket for jar ø 116mm int. ø 1 24mm int. ø 2 79mm Dragone		
For models:	DRAGONE CE		


 <p>1</p>			
Part No.	696078	Ref. No.	IB4010900
description	bracket for jar ø 129mm int. ø 1 16mm int. ø 2 100mm Orione		
For models:	ORIONE CE		

actuators


group 1

 <p>1</p>			
Part No.	698203	Ref. No.	IB4100905
description	mixer coupling for jar ø 36mm H 14mm IT M6L teeth 6 rubber Dragone		
For models:	DRAGONE CE, ORIONE CE		

 <p>1</p>			
Part No.	698202	Ref. No.	IB4000815
description	mixer coupling for motor ø 36mm H 14mm IT M6L teeth 6 plastic Dragone		
For models:	DRAGONE CE		

 <p>1</p>			
Part No.	696069	Ref. No.	IB4100900
description	mixer coupling motor ø 36mm H 14mm IT M8L teeth 6 plastic Orione		
For models:	ORIONE CE		

group 2

 <p>1</p>			
Part No.	651061	Ref. No.	IB4000816
description	mixer coupling ø 26mm H 10mm teeth 4 rubber		



mixers

jars



1

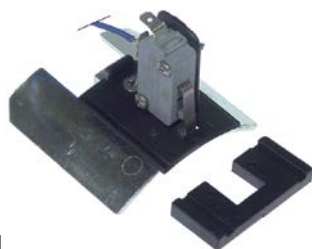
Part No.	698318	Ref. No.	IB4050100
description	blender jar plastic ø 105mm H 150mm		
For models:	SIRIO 1 GDO CE, SIRIO 2 GDO CE		



1

Part No.	698564	Ref. No.	65010100
description	blender jar SS ø 104mm H 150mm DMB / DMB20		
For models:	SIRIO 1 GDO CE, SIRIO 2 GDO CE		

holders



1

Part No.	650100	Ref. No.	IB4000130 IB9866020
description	bracket with microswitch for jar W 62mm H 60mm		
For models:	SIRIO 1 GDO CE, SIRIO 2 GDO CE		

mixer discs



1

Part No.	696091	Ref. No.	IB2100110
description	knife drink mixer ø 26mm IT M5 H 19mm Sirio		
For models:	SIRIO 1 GDO CE, SIRIO 2 GDO CE		



1

Part No.	696066	Ref. No.	IB2200100
description	mixer disc drink mixer ø 25mm ID ø 5mm Sirio		
For models:	SIRIO 1 GDO CE, SIRIO 2 GDO CE		

accessories



1

Part No.	696093	Ref. No.	IB2100100
description	spacer bush ø 8mm ID ø 5.3mm H 14mm Sirio		
For models:	SIRIO 1 GDO CE, SIRIO 2 GDO CE		

for hand blenders

drive shafts



1

Part No.	523074	Ref. No.	CINP01-24 CINP7-09-02 CINP7-40101200
description	gear wheel teeth 18 shaft intake ø 12mm ø 30mm tooth width 2.75mm hub ø 4mm plastic W 11mm		



spare parts and accessories



1

Part No.	696706	Ref. No.	IB4080110
description	cover ø 110mm H 135mm Sirio		

couplings



1

Part No.	651031	Ref. No.	IB4004046
description	coupling D1 ø 12mm D2 ø 23mm int. ø 1 8mm thread M6L L 45mm teeth 4 CICLONE		
For models:	CICLONE ASTA 25cm 0,15/0,23kW, CICLONE ASTA 35cm 0,15/0,23kW		



1

Part No.	651030	Ref. No.	IB4004045
description	coupling D1 ø 12mm D2 ø 24mm thread M8L L 35mm teeth 8 VORTEX edition until year of construction 09/2004		
For models:	VORTEX 43, VORTEX 55, VORTEX 75, VORTEX ASTA 30cm 0,43/0,55/0,75kW, VORTEX ASTA 40cm 0,43/0,55/0,75kW		



1

Part No.	651027	Ref. No.	IB4004043.04
description	coupling D1 ø 18mm D2 ø 21mm int. ø 1 12mm thread M8L L 36mm teeth 8 VORTEX edition since year of construction 10/2004		
For models:	VORTEX 43, VORTEX 55, VORTEX 75		



1

Part No.	651032	Ref. No.	IB4004048
description	coupling D1 ø 18mm D2 ø 21mm int. ø 1 8mm thread M6L L 36mm teeth 4 CICLONE		
For models:	CICLONE 15VV CE, CICLONE 23 CE		



1

Part No.	651022	Ref. No.	IB4004045.04
description	coupling tooth 8 ø 24mm H 45mm VORTEX edition since year of construction 10/2004		
For models:	VORTEX 43, VORTEX 55, VORTEX 75, VORTEX ASTA 30cm 0,43/0,55/0,75kW, VORTEX ASTA 40cm 0,43/0,55/0,75kW		

blender sticks

bushes



1

Part No.	651021	Ref. No.	IB2104020
description	bush ø 11mm ID ø 8mm L 10.3mm		
For models:	VORTEX 43, VORTEX 55, VORTEX 75, VORTEX ASTA 30cm 0,43/0,55/0,75kW, VORTEX ASTA 40cm 0,43/0,55/0,75kW		

gaskets



1

Part No.	651023	Ref. No.	IB4104005
description	gasket mixer bowl ED ø 46mm ID ø 32mm CICLONE/VORTEX		
For models:	CICLONE ASTA 25cm 0,15/0,23kW, CICLONE ASTA 35cm 0,15/0,23kW, VORTEX 43, VORTEX 55, VORTEX 75, VORTEX ASTA 30cm 0,43/0,55/0,75kW, VORTEX ASTA 40cm 0,43/0,55/0,75kW		



1

Part No.	651056	Ref. No.	IB4104015
description	sealing ring ED ø 16mm ID ø 8mm CICLONE		

bearing blocks



1

Part No.	651024	Ref. No.	IB9866003
description	bearing block with gasket and ball bearing mounting pos. lower ø 49.5mm ID ø 24mm H 31.5mm VORTEX		
For models:	VORTEX 43, VORTEX 55, VORTEX 75, VORTEX ASTA 30cm 0,43/0,55/0,75kW, VORTEX ASTA 40cm 0,43/0,55/0,75kW		



blades

spare blades



1

Part No.	651034	Ref. No.	IB2680401
description	knife hole \varnothing 6x5mm CICLONE		
For models:	CICLONE ASTA 25cm 0,15/0,23kW, CICLONE ASTA 35cm 0,15/0,23kW		




1

Part No.	651033	Ref. No.	IB2680400
description	knife hole \varnothing 6x8mm VORTEX		
For models:	VORTEX 43, VORTEX 55, VORTEX 75, VORTEX ASTA 30cm 0,43/0,55/0,75kW, VORTEX ASTA 40cm 0,43/0,55/0,75kW		

blades with adaptor (complete)



1

Part No.	651025	Ref. No.	IB9866004
description	knife with spindle \varnothing 60mm hole \varnothing 8mm H 40mm VORTEX		
For models:	VORTEX 43, VORTEX 55, VORTEX 75, VORTEX ASTA 30cm 0,43/0,55/0,75kW, VORTEX ASTA 40cm 0,43/0,55/0,75kW		
spare parts for	651025		
	Part No.	651033	Ref. No. IB2680400
	knife hole \varnothing 6x8mm VORTEX		

accessories



1

Part No.	651035	Ref. No.	IB1980406
description	blade holder CICLONE		
For models:	CICLONE ASTA 25cm 0,15/0,23kW, CICLONE ASTA 35cm 0,15/0,23kW		



1

Part No.	651036	Ref. No.	IB1980407
description	screw for knife thread M4L CICLONE		
For models:	CICLONE ASTA 25cm 0,15/0,23kW, CICLONE ASTA 35cm 0,15/0,23kW		

blender sticks



1

Part No.	698238	Ref. No.	66204500
description	blender stick L 450mm complete		

spindles



1

Part No.	698364	Ref. No.	IB2104004
description	drive shaft for hand blender D1 \varnothing 18mm D2 \varnothing 8mm L 430mm		
For models:	VORTEX 43, VORTEX 55, VORTEX 75, VORTEX ASTA 30cm 0,43/0,55/0,75kW, VORTEX ASTA 40cm 0,43/0,55/0,75kW		

beaters

beaters



1

Part No.	698573	Ref. No.	CINP7-11-03 CINP7-40102800
description	whisk \varnothing 125mm L 190mm hole \varnothing 12mm		

miscellaneous



1

Part No.	550963	Ref. No.	IB5894000
description	bend relief ID \varnothing 7mm		
For models:	CICLONE 15VV CE, CICLONE 23 CE, VORTEX 43, VORTEX 55, VORTEX 75		



1

Part No.	346961	Ref. No.	IB4004042
description	push button \varnothing 10mm L 62mm VORTEX		
For models:	VORTEX 43, VORTEX 55, VORTEX 75		




1

Part No.	346954	Ref. No.	IB4004047
description	push button ø 10mm L 72mm CICLONE		
For models:	CICLONE 15VV CE, CICLONE 23 CE		

1

Part No.	651026	Ref. No.	IB9866010
description	tool kit		

for citrus juicers

spillage trays



1


Part No.	696092	Ref. No.	IB2260700
description	tray ø 170mm hole ø 31mm H 74mm stainless steel model APOLLO		
For models:	APOLLO CE		

gaskets



1


Part No.	696067	Ref. No.	IB4180700
description	gasket ø 26mm ID ø 11mm H 12mm for citrus juicers		
For models:	APOLLO CE		



1


Part No.	696068	Ref. No.	IB4100110
description	gasket ø 85mm H 18mm drink mixer hole distance 55x75mm model Sirio		
For models:	SIRIO 1 GDO CE, SIRIO 2 GDO CE		

juicer insert



1


Part No.	960107	Ref. No.	IB4000720
description	juicer insert		
For models:	APOLLO CE		



1

Part No.	650261	Ref. No.	IB4000730
description	juicer insert H 60mm plastic		

spindles



1


Part No.	696090	Ref. No.	IB2080700
description	spindle L 66.5mm model APOLLO WS 14 IT M8L		
For models:	APOLLO CE		



1

Part No.	696095	Ref. No.	IB2080710
description	spindle ø 8mm L 85mm motor model Sirio suitable for flange		
For models:	APOLLO CE		

miscellaneous




1

Part No.	523000	Ref. No.	IB7300700
description	thrust ball bearing shaft ø 12mm ED ø 26mm W 9mm type 51101 DIN 711		
For models:	APOLLO CE		

for ice crusher

handles



1

Part No.	696096	Ref. No.	IB2080712
description	handle rod L 160mm ø 10mm T1: M8 T2: M10		
For models:	TRITON CE		



V-belts



1

Part No.	698222	Ref. No.	IB7003012
description	poly-v belt grooves 6 W 12mm L 526mm profile TB2		
For models:	TRITON CE		

bodies



1

Part No.	696196	Ref. No.	IB1273460
description	body ice crusher ID ø 98.5mm L 210mm aluminium		
For models:	TRITON CE		

for cup coffee machines

lids



1

Part No.	696193	Ref. No.	4IV9840530B IB4023000A
description	protection cap ø 188mm H 51mm mounting distance 95mm plastic white Athos		

miscellaneous



1

Part No.	697300	Ref. No.	IB77DG12
description	wing nuts thread M12 SS Qty 1 pcs		

for crepes makers

cast plates



1

Part No.	691259	Ref. No.	IGS701213
description	cast plate ø 350mm		
For models:	CREPIERA TONDA		



1

Part No.	691260	Ref. No.	IGS701233
description	cast plate ø 350mm		
For models:	CREPIERA TONDA		

for hot dog machines

lids



1

Part No.	693098	Ref. No.	ATHD058502
description	lid		


glass cylinders




1


Part No.	693845	Ref. No.	BICCHIERE HOT DOG Y06 GM3556300
description	glass cylinder for hot dog machine ø 170mm H 270mm 5l Y06		






			
1			
Part No.	693002	Ref. No.	ATHD066006
description	glass cylinder ø 200mm Pyrex glass H 240mm		

skewers			
			
1			
Part No.	693094	Ref. No.	ATHD055804
description	bun spikes		


for tilting bratt pans			
miscellaneous			
			
1			
Part No.	523510	Ref. No.	19320201 MF0005
description	deep-groove ball bearing type 6202-2RS shaft ø 15mm ED ø 35mm W 11mm with sealing discs deep-groove ball bearing DIN 625-1		
For models:	GP, TCG12M		

for panini grill			
cast plates			
			
1			
Part No.	693933	Ref. No.	IGS200PL
description	cast plate smooth mounting pos. lower		

for microwaves			
housings			
inner parts			
			
1			
Part No.	691046	Ref. No.	PA20113030GP
description	roof liner L 483mm W 248mm for microwave		
accessories for	691046		
	Part No.	692572	Ref. No. PANE9082930AP
mounting clip ø 8mm suitable for microwave			

miscellaneous			
			
1			
Part No.	692572	Ref. No.	PANE9082930AP
description	mounting clip ø 8mm suitable for microwave		

for ovens			
housing and bezels			
			
1			
Part No.	651029	Ref. No.	IGS600PU
description	insulation L 200mm W 185mm thickness 4mm		

for pizza ovens			
springs			
			
1			
Part No.	694861	Ref. No.	IGS809053
description	torsion spring ø 20mm L2 11mm wire gauge ø 3mm L1 30mm L3 40mm Qty 1 pcs		

for sterilisers			
			
1			
Part No.	694563	Ref. No.	IV4236016
description	blade holder for steriliser L 348mm W 116mm H 36mm transparent plexiglas		



for toasters

pliers

pliers



1

Part No.	690010	Ref. No.	IGS184
description	plier for toaster H 180mm total length 100mm		
For models:	12Q, 4Q, 6Q		

for vacuum packers

PTFE tapes



1

Part No.	692674	Ref. No.	IW1471250030
description	PTFE tape W 80mm thickness 0.5mm Qty 1		

sealing bars



1

Part No.	698069	Ref. No.	KODK012
description	sealing bar L 460mm W 25mm H 70mm		

heating wires



1

Part No.	418506	Ref. No.	KODK001
description	heating wire L 454mm Qty 1		

for heated display cases

glass panels



1

Part No.	700899	Ref. No.	PA31463030GP
description	glass panel L 488mm W 202mm thickness 3.5mm mounting pos. outer		

miscellaneous



1

Part No.	691105	Ref. No.	IB1926000
description	coupling for pizza display		
For models:	VETRINETTA 38		




1

Part No.	691106	Ref. No.	IB7506000
description	door hinge kit for glass door mounting pos. upper/lower		
For models:	VETRINETTA 38		




for sausage fillers

funnels




1

Part No.	698366	Ref. No.	LF2011015A
description	funnel ø 10mm L 190mm polyethylene		




1

Part No.	698367	Ref. No.	LF2011015B
description	funnel ø 18mm L 190mm polyethylene		



1

Part No.	698368	Ref. No.	LF2011015C
description	funnel ø 25mm L 180mm polyethylene		



1

Part No.	698365	Ref. No.	LF2011015 LF2011015 A/B/C
description	funnel set ø 10/18/25mm L 190mm polyethylene seat ø 58mm		

pistons

accessories



1

Part No.	696579	Ref. No.	LF2011012
description	aerator and air bleeder ø 31mm H 40mm Qty 1		

knobs


producer-specific knobs

SIRMAN



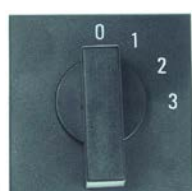
1

Part No.	110929	Ref. No.	IB4200700 IB4200701
description	knob potentiometer t.max.°C temperature range°C ø 23mm shaft ø 6mm silver		
For models:	APOLLO CE, DRAGONE CE, ORIONE CE, ROLLER		




1

Part No.	112907	Ref. No.	IB4206440
description	knob switch 0-1 t.max.°C temperature range°C ø 50mm shaft ø 5x5mm black		




1

Part No.	112906	Ref. No.	IB4206450
description	knob switch 0-1-2-3 ø 52x52mm shaft ø 5x5mm square external size 52x52mm		


1

Part No.	110277	Ref. No.	ATHD061001
description	knob switch zero mark ø 42mm shaft ø 8 x 5.5mm shaft flat upper black		




1

Part No.	696294	Ref. No.	RG04352
description	knob switch zero mark ø 44mm shaft ø 6x4.6/3.5x3.5mm shaft flat upper black 2-piece		




1

Part No.	110931	Ref. No.	IB4206400 (old version)
description	knob switch zero mark ø 45mm shaft ø 5x6mm shaft flat upper black		




1

Part No.	112280	Ref. No.	IB4200100
description	knob switch zero mark t.max.°C temperature range°C ø 16mm shaft ø 6mm black/grey		
For models:	SIRIO 1 GDO CE, SIRIO 2 GDO CE		




1

Part No.	112916	Ref. No.	KODK003
description	knob switch zero mark t.max.°C temperature range°C ø 18mm shaft ø 5.5mm		




1

Part No.	111235	Ref. No.	IB4200705
description	knob switch zero mark t.max.°C temperature range°C ø 23mm shaft ø 5.5mm black		
For models:	CICLONE 15VV CE		




1

Part No.	112283	Ref. No.	MSC04V236
description	knob switch zero mark t.max.°C temperature range°C ø 23mm shaft ø 6mm black		
For models:	C9VV CE		




1

Part No.	110275	Ref. No.	IGS336
description	knob switch zero mark t.max.°C temperature range°C ø 45mm shaft ø 6x5mm shaft flat rectangular black		
For models:	12Q, 4Q, 6Q		




1

Part No.	110276	Ref. No.	IB4206412 IGS385SF
description	knob switch zero mark t.max.°C temperature range°C ø 49mm shaft ø 6x4.6mm shaft flat upper black		
For models:	SALAMANDRA PRO 1/1G CE		



1

Part No.	110366	Ref. No.	IB4206400
description	knob switch zero mark t.max.°C ø 44mm shaft ø 6x4.6mm shaft flat upper black		

1

Part No.	112914	Ref. No.	IB4206010
description	knob thermostat t.max. 90°C temperature range 30-90°C ø 42mm shaft ø 6x4.6mm shaft flat upper		
For models:	VETRINETTA 38		

handles and hand wheels

cylindrical handles

fixed



1

Part No.	110703	Ref. No.	IV4000800
description	cylindrical handle thread M10 ø 28mm L 87mm		
For models:	TCG12M		



1

Part No.	112917	Ref. No.	IB4206430
description	cylindrical handle thread M8 ø 23mm L 55mm		
For models:	SALAMANDRA PRO 1/1G CE		



1

Part No.	691314	Ref. No.	MF2359
description	cylindrical handle thread M8 ø 28mm L 86mm		
For models:	TCG 22 E CE		

cone handles



1

Part No.	698195	Ref. No.	19562903 19562905
description	cone handle thread M10 ø 29mm L 82mm black		



1

Part No.	697517	Ref. No.	IB4206451
description	cone handle thread M10 ø 30mm L 66mm black		
For models:	TRITON CE		




1

Part No.	697431	Ref. No.	19562901 19564019
description	cone handle thread M6 ø 26mm plastic L 70mm black thread L 10mm		



1

Part No.	697432	Ref. No.	19562900
description	cone handle thread M6 ø 26mm plastic L 70mm thread L 6mm		



1

Part No.	696266	Ref. No.	AMA008
description	cone handle thread M4 ø 9mm L 14mm aluminium slicer		
For models:	PERLA 220 CE DOM, PERLA 250 CE DOM		


mushroom cap handles




1

Part No.	696267	Ref. No.	19021110
description	mushroom cap handle thread M4 ø 16mm L 18.5mm aluminium slicer		




			
1			
Part No.	697445	Ref. No.	SM211413
description	mushroom cap handle thread M6 handle \varnothing 33mm L 26mm plastic black		


ball handles

			
1			
Part No.	112694	Ref. No.	MSC04N018
description	ball handle thread M6 \varnothing 20mm with metal bush black plastic		
For models:	C9VV CE		


star handles

			
1			
Part No.	698183	Ref. No.	29561651 IV4200500
description	locking screw thread M8 L 26mm handle \varnothing 40mm		
For models:	TC 12 MAGNUM INGRANAGGI CE		

			
1			
Part No.	698200	Ref. No.	19562502
description	star handle thread M6 \varnothing 40mm L 29mm black		

			
1			
Part No.	111054	Ref. No.	19564016
description	star handle thread M6 \varnothing 40mm L 29mm blue		

			
1			
Part No.	697443	Ref. No.	19562504 19564013
description	star handle thread M8 \varnothing 50mm L 29mm black		
For models:	PERLA 220 CE DOM, PERLA 250 CE DOM		

			
1			
Part No.	111404	Ref. No.	LF1510702
description	star handle thread M8x1.25 \varnothing 31mm L 23.5mm black		


bracket handles

			
1			
Part No.	691263	Ref. No.	IB4200910
description	pull handle L 160mm H 56mm mounting distance 133mm thread M8		
For models:	SALAMANDRA PRO 1/1G CE		

fasteners

locking screws

			
1			
Part No.	698515	Ref. No.	29561600.14
description	locking screw thread M10x1.5 thread L 30mm handle \varnothing 50mm black plastic/SS edition since 08/2014		

			
1			
Part No.	697516	Ref. No.	19562700 19564018
description	locking screw thread M5 handle \varnothing 25mm L 8mm		




accessories

extensions

			
1			
Part No.	696096	Ref. No.	IB2080712
description	handle rod L 160mm ø 10mm T1: M8 T2: M10		
For models:	TRITON CE		

hinges

miscellaneous


			
1			
Part No.	691106	Ref. No.	IB7506000
description	door hinge kit for glass door mounting pos. upper/lower		
For models:	VETRINETTA 38		

pullouts

rollers


rollers


accessories


			
1			
Part No.	560133	Ref. No.	IX2934006
description	hexagonal nut thread M6 H 5mm WS 10 SS DIN/ISO DIN 934 / ISO 4032/8673 Qty 20 pcs		


equipment feet and end caps


screw-in feet


			
1			
Part No.	696094	Ref. No.	IB4356015
description	equipment foot thread M4 thread L 10mm ø 15mm H 10mm Qty 1 pcs		
For models:	ORIONE CE		


			
1			
Part No.	693791	Ref. No.	19560201
description	equipment foot thread M5 thread L 10mm ø 36mm H 27mm Qty 1 pcs		
For models:	PERLA 220 CE DOM, PERLA 250 CE DOM		

			
1			
Part No.	696043	Ref. No.	MSC04N114K MSC04N114K + MSC04N115K
description	equipment foot thread M5 thread L 8mm ø 28mm H 24mm Qty 1 pcs C4-C6-C9		
For models:	C9VV CE		

			
1			
Part No.	691264	Ref. No.	IB4356000
description	equipment foot thread M6 thread L 16mm ø 25mm H 6mm Qty 1 pcs		
For models:	VETRINETTA 38		

			
1			
Part No.	697770	Ref. No.	19560202
description	equipment foot thread M8 thread L 12mm ø 47mm H 35mm Qty 1 pcs		

			
1			
Part No.	695612	Ref. No.	IV4083500
description	equipment foot thread M8 thread L 20mm ø 29mm H 11mm Qty 1 pcs		

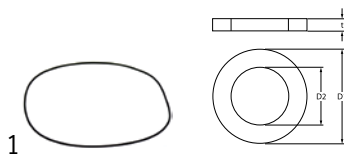
			
1			
Part No.	513284	Ref. No.	IB4356005
description	equipment foot thread M8 thread L 20mm ø 30mm H 12mm Qty 1 pcs		
For models:	SALAMANDRA PRO 1/1G CE		



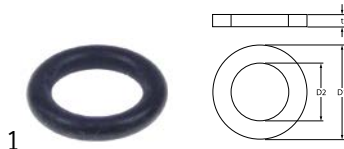
gaskets

O-rings

EPDM



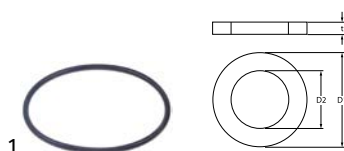
Part No.	698025	Ref. No.	MF2351
description	O-ring EPDM thickness 2mm ID ø 164.5mm Qty 1 pcs		



Part No.	532614	Ref. No.	19560103 SM211108
description	O-ring EPDM thickness 3.53mm ID ø 12.29mm Qty 1 pcs		

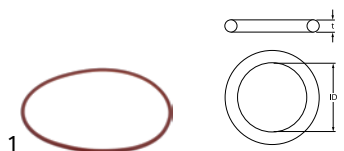


Part No.	696071	Ref. No.	IB4104040
description	O-ring EPDM thickness 3.53mm ID ø 52.39mm Qty 1 pcs		
For models:	ORIONE CE		

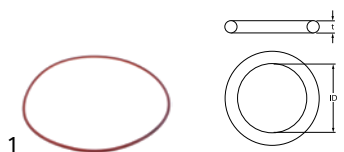


Part No.	532629	Ref. No.	IV7200600
description	O-ring EPDM thickness 3.53mm ID ø 74.61mm Qty 1 pcs		

miscellaneous



Part No.	532600	Ref. No.	LF1211302
description	O-ring SILOPREN thickness 7mm ID ø 240.67mm Qty 1 pcs OR 08950		



Part No.	532608	Ref. No.	LF1212202
description	O-ring SILOPREN thickness 7mm ID ø 354.9mm Qty 1 pcs OR 081400		

sealing washers

rubber gaskets



Part No.	510649	Ref. No.	LF1212201
description	boot Qty 1 pcs		



Part No.	501593	Ref. No.	LF1232608
description	flat gasket rubber ED ø 76mm ID ø 58mm thickness 1mm Qty 1 pcs		

silicone gaskets



Part No.	696076	Ref. No.	IB4100915
description	gasket silicone ED ø 68mm ID ø 48mm thickness 2mm Qty 1 pcs		
For models:	ORIONE CE		

shaft gaskets

v-rings




Part No.	696075	Ref. No.	IB4104031
description	V-ring ID ø 8mm thickness 5mm		
For models:	DRAGONE CE		

shaft gaskets


1


Part No.	698118	Ref. No.	LF1234001
description	shaft seal		
For models:	TC32IND, TC42IND		





			
1			
Part No.	698119	Ref. No.	LF1234002
description	shaft seal		
For models:	TC32IND, TC42IND		


			
1			
Part No.	698211	Ref. No.	IB4104010
description	shaft seal ID ø 15mm ED ø 24mm thickness 5mm		
For models:	CICLONE ASTA 25cm 0,15/0,23kW, CICLONE ASTA 35cm 0,15/0,23kW, VORTEX 43, VORTEX 55, VORTEX 75, VORTEX ASTA 30cm 0,43/0,55/0,75kW, VORTEX ASTA 40cm 0,43/0,55/0,75kW		


			
1			
Part No.	698116	Ref. No.	LF1260001
description	shaft seal ID ø 15mm ED ø 30mm thickness 7mm		
For models:	TC22PF, TC32PF		


			
1			
Part No.	696834	Ref. No.	LF1210002
description	shaft seal ID ø 25mm ED ø 40mm thickness 5mm		


			
1			
Part No.	698002	Ref. No.	IV72AT 40x25x8mm MF0106 MF2101
description	shaft seal ID ø 25mm ED ø 40mm thickness 7mm		
For models:	TC12M, TC22E CE, TCG 22 E CE, TCG12E, TCG12M, TCG22E		


			
1			
Part No.	698117	Ref. No.	LF1233002
description	shaft seal ID ø 25mm ED ø 47mm thickness 7mm		
For models:	TC22PF, TC32PF		

			
1			
Part No.	698123	Ref. No.	LF1243001
description	shaft seal ID ø 30mm ED ø 62mm thickness 7mm		
For models:	IP30, MASTER30		

			
1			
Part No.	698121	Ref. No.	LF1239203
description	shaft seal ID ø 35mm ED ø 50mm thickness 5mm		
For models:	TC12RIO, TC22FR, TC22LAPORTE, TC22RIO		

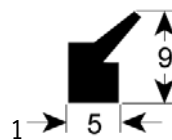
			
1			
Part No.	696379	Ref. No.	LF1232611
description	shaft seal ID ø 40mm ED ø 50mm thickness 7mm		

			
1			
Part No.	698122	Ref. No.	LF1239401
description	shaft seal ID ø 40mm ED ø 62mm thickness 7mm		
For models:	MASTER30, TC32FR, TC32LAPORTE, TC32RIO		

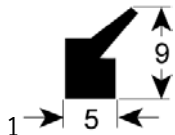
			
1			
Part No.	698306	Ref. No.	MSC04N094
description	shaft sealing ID ø 15mm ED ø 20mm thickness 6mm		
For models:	C9VV CE		

special gaskets

for vacuum packers



Part No.	902524	Ref. No.	IW1471240010
description	lid gasket silicone Qty 1 for vacuum packing machine L 1870mm		



Part No.	902525	Ref. No.	IW1471250010
description	lid gasket silicone Qty 1 for vacuum packing machine L 2130mm		

miscellaneous

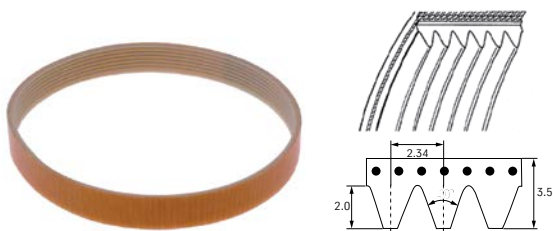


Part No.	698305	Ref. No.	LF1232605
description	gasket for mincer thickness 0.9mm for gearbox		

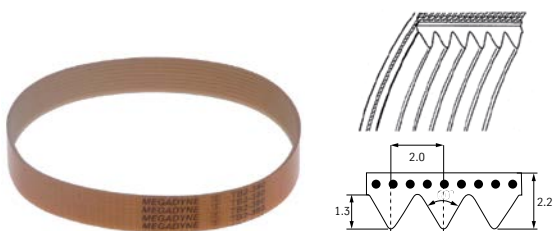
transmission technology and ball bearings

drive belts

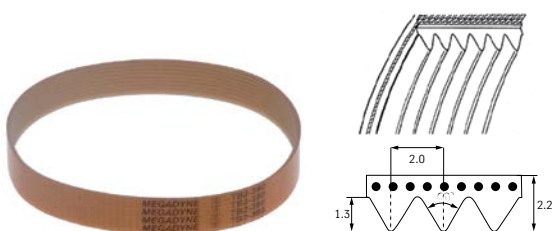
poly-v belts



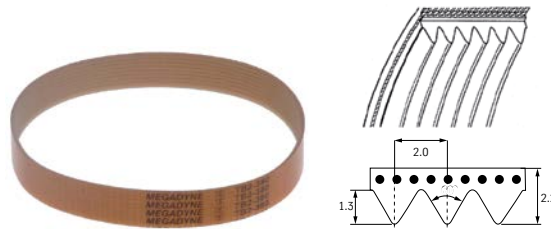
Part No.	698227	Ref. No.	IV7000010
description	poly-v belt grooves 8 W 18mm L 483mm profile J		
For models:	TV-TM INOX, TV-TM INOX07		



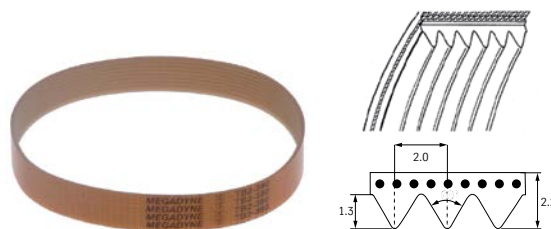
Part No.	698220	Ref. No.	19310207
description	poly-v belt grooves 10 W 20mm L 380mm profile TB2		



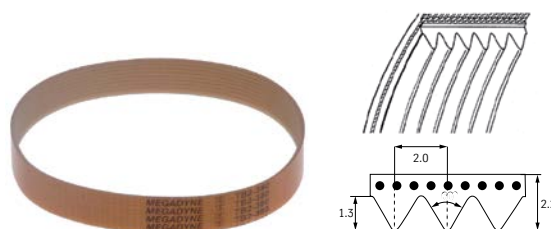
Part No.	698126	Ref. No.	IB7003412
description	poly-v belt grooves 10 W 20mm L 430mm profile TB2		
For models:	OLIMPO		



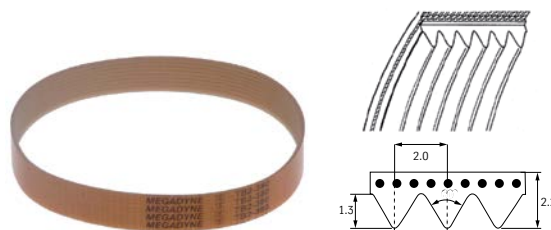
Part No.	698221	Ref. No.	19310209
description	poly-v belt grooves 11 W 22mm L 480mm profile TB2		



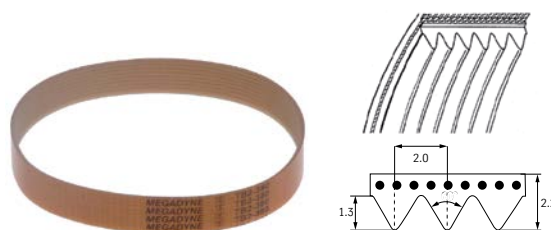
Part No.	698157	Ref. No.	LF2037056
description	poly-v belt grooves 12 W 24mm L 725mm profile TB2		
For models:	TCG12M		



Part No.	698156	Ref. No.	LF2037058
description	poly-v belt grooves 14 W 28mm L 430mm profile TB2		
For models:	TCG12M		



Part No.	698222	Ref. No.	IB7003012
description	poly-v belt grooves 6 W 12mm L 526mm profile TB2		
For models:	TRITON CE		



Part No.	693939	Ref. No.	MSC04N112 MSC04N112 bis 1999
description	poly-v belt grooves 6 W 12mm L 630mm profile TB2		



1

Part No.	698223	Ref. No.	MSC04N112A MSC04N112A ab 1999
description	poly-v belt grooves 6 W 12mm L 660mm profile TB2		
For models:	C9VV CE		

1

Part No.	697367	Ref. No.	19310203
description	poly-v belt grooves 8 W 16mm L 330mm profile TB2		

1

Part No.	698224	Ref. No.	MSC09V112
description	poly-v belt grooves 7 W 14mm L 1186mm profile TB2		

1

Part No.	697616	Ref. No.	19310201
description	poly-v belt grooves 8 W 16mm L 345mm profile TB2		

1

Part No.	697612	Ref. No.	AMA024
description	poly-v belt grooves 8 W 16mm L 266mm profile TB2		

1

Part No.	698219	Ref. No.	19310206
description	poly-v belt grooves 8 W 16mm L 360mm profile TB2		

1

Part No.	697613	Ref. No.	AMC024
description	poly-v belt grooves 8 W 16mm L 295mm profile TB2		
For models:	PERLA 220 CE DOM		

1

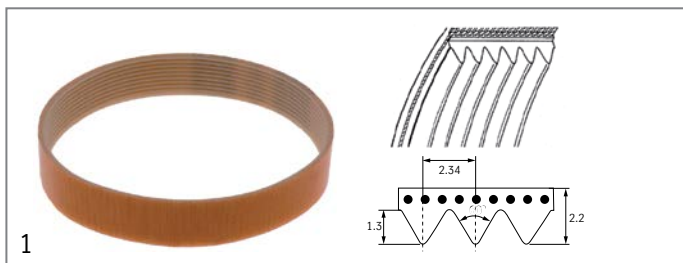
Part No.	697619	Ref. No.	19310212
description	poly-v belt grooves 8 W 16mm L 430mm profile TB2		

1

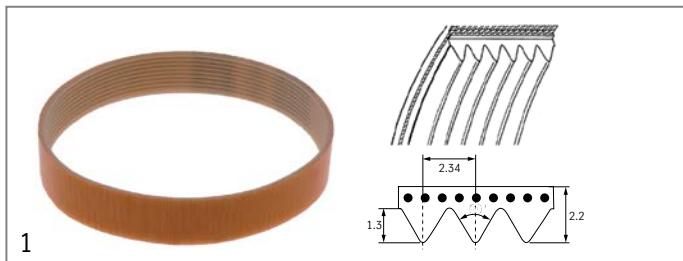
Part No.	697280	Ref. No.	AMG024
description	poly-v belt grooves 8 W 16mm L 310mm profile TB2		
For models:	PERLA 250 CE DOM		

1

Part No.	698226	Ref. No.	RG08248
description	poly-v belt grooves 10 W 23mm L 432mm profile TB2.34		
For models:	PP EXPO 4 CE, PP EXPO 8 CE		



Part No.	697639	Ref. No.	RG15248
description	poly-v belt grooves 10 W 23mm L 711mm profile TB2.34		



Part No.	698225	Ref. No.	RG04248
description	poly-v belt grooves 6 W 14mm L 432mm profile TB2.34		

springs

torsion springs



Part No.	690169	Ref. No.	IGS543C
description	torsion spring \varnothing 20.1mm L2 40mm wire gauge \varnothing 3.6mm mounting pos. left L1 16mm L3 16mm		

accessories for	690169			
	Part No.	690159	Ref. No.	IGS540C
	torsion spring \varnothing 20.2mm L2 40mm wire gauge \varnothing 3.7mm mounting pos. right L1 16mm L3 16mm			



Part No.	690194	Ref. No.	IGS543
description	torsion spring \varnothing 20.1mm L2 40mm wire gauge \varnothing 3.8mm mounting pos. left L1 16mm L3 16mm		

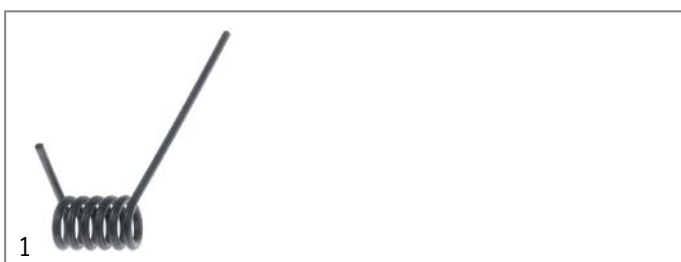


Part No.	690159	Ref. No.	IGS540C
description	torsion spring \varnothing 20.2mm L2 40mm wire gauge \varnothing 3.7mm mounting pos. right L1 16mm L3 16mm		

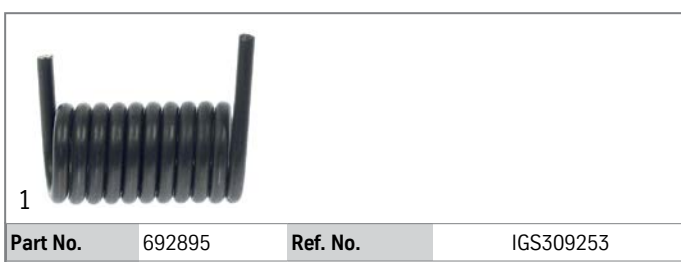
accessories for	690159			
	Part No.	690169	Ref. No.	IGS543C
	torsion spring \varnothing 20.1mm L2 40mm wire gauge \varnothing 3.6mm mounting pos. left L1 16mm L3 16mm			



Part No.	690193	Ref. No.	IGS540
description	torsion spring \varnothing 20.2mm L2 40mm wire gauge \varnothing 3.7mm mounting pos. right L1 16mm L3 16mm		



Part No.	694861	Ref. No.	IGS809053
description	torsion spring \varnothing 20mm L2 11mm wire gauge \varnothing 3mm L1 30mm L3 40mm Qty 1 pcs		



Part No.	692895	Ref. No.	IGS309253
description	torsion spring \varnothing 20mm L2 38mm wire gauge \varnothing 3.2mm mounting pos. left L1 14mm L3 8mm		




Part No.	692894	Ref. No.	IGS309243
description	torsion spring \varnothing 20mm L2 38mm wire gauge \varnothing 3.2mm mounting pos. right L1 14mm L3 8mm		




1

Part No.	690198	Ref. No.	IGS109013 IGS540/99
description	torsion spring \varnothing 21.2mm L2 40mm wire gauge \varnothing 3.5mm mounting pos. right L1 26mm L3 10mm edition build from 1999		
accessories for	690198		


Part No.	690199	Ref. No.	IGS543/99 IGSIGS109023
description	torsion spring \varnothing 21.2mm L2 42mm wire gauge \varnothing 3.3mm mounting pos. left L1 40mm L3 28mm edition build from 1999		



1

Part No.	690199	Ref. No.	IGS543/99 IGSIGS109023
description	torsion spring \varnothing 21.2mm L2 42mm wire gauge \varnothing 3.3mm mounting pos. left L1 40mm L3 28mm edition build from 1999		
accessories for	690199		

Part No.	690198	Ref. No.	IGS109013 IGS540/99
description	torsion spring \varnothing 21.2mm L2 40mm wire gauge \varnothing 3.5mm mounting pos. right L1 26mm L3 10mm edition build from 1999		



1

Part No.	690185	Ref. No.	IGS109033 IGS540C/99
description	torsion spring \varnothing 22.6mm L2 40mm wire gauge \varnothing 3.8mm mounting pos. right L1 25mm L3 9mm		
accessories for	690185		

Part No.	690192	Ref. No.	IGS109043 IGS543C/99
description	torsion spring \varnothing 22mm L2 40mm wire gauge \varnothing 3.7mm mounting pos. left L1 26mm L3 10mm		



1


Part No.	690192	Ref. No.	IGS109043 IGS543C/99
description	torsion spring \varnothing 22mm L2 40mm wire gauge \varnothing 3.7mm mounting pos. left L1 26mm L3 10mm		

compression springs




1

Part No.	696211	Ref. No.	AMC672
description	compression spring \varnothing 11.5mm L 46mm wire gauge \varnothing 1.3mm slicer 220		
For models:	PERLA 220 CE DOM, PERLA 250 CE DOM		




1

Part No.	696208	Ref. No.	SM370111
description	compression spring \varnothing 13.5mm L 57mm wire gauge \varnothing 1.4mm slicer 275-300		




1

Part No.	696209	Ref. No.	19390205
description	compression spring \varnothing 13.5mm L 92mm wire gauge \varnothing 1.4mm slicer		




1

Part No.	696210	Ref. No.	19390600
description	compression spring \varnothing 14mm L 16mm wire gauge \varnothing 1.2mm slicer 220-250		



1


Part No.	696205	Ref. No.	SM370104
description	compression spring \varnothing 22/28mm L 22mm wire gauge \varnothing 2mm conical slicer D1 \varnothing 22mm D2 \varnothing 28mm 250-300		



1


Part No.	696207	Ref. No.	AMC244
description	compression spring \varnothing 23/25mm L 19mm wire gauge \varnothing 1.5mm conical slicer D1 \varnothing 23mm D2 \varnothing 25mm 220-250		
For models:	PERLA 220 CE DOM, PERLA 250 CE DOM		




			
1			
Part No.	696206	Ref. No.	AMC254 AMG254
description	compression spring \varnothing 23/25mm L 53mm wire gauge \varnothing 1.5mm conical slicer D1 \varnothing 23mm D2 \varnothing 25mm 220-250		
For models:	PERLA 220 CE DOM, PERLA 250 CE DOM		

			
1			
Part No.	528977	Ref. No.	IB76M4005
description	compression spring \varnothing 5.5mm L 15mm wire gauge \varnothing 0.4mm CICLEONE		
For models:	CICLEONE 15VV CE, CICLEONE 23 CE		

			
1			
Part No.	691262	Ref. No.	IB76M4000
description	compression spring \varnothing 6mm L 13mm wire gauge \varnothing 0.8mm		
For models:	VORTEX 43, VORTEX 55, VORTEX 75		

			
1			
Part No.	696099	Ref. No.	IV75MTM
description	compression spring \varnothing 7.2mm L 19mm wire gauge \varnothing 0.7mm for microswitch model TM		
For models:	TV-TM INOX, TV-TM INOX07		

			
1			
Part No.	696212	Ref. No.	AMA814
description	compression spring \varnothing 7.6mm L 22mm wire gauge \varnothing 0.7mm slicer 195-220		
For models:	PERLA 220 CE DOM		

			
1			
Part No.	696213	Ref. No.	AME410
description	compression spring \varnothing 7.6mm L 28mm wire gauge \varnothing 0.7mm slicer PARKER		
For models:	PERLA 250 CE DOM		

kitchen accessories

spillage trays

			
1			
Part No.	698112	Ref. No.	LF1532001 MF0134
description	meat collecting tray L 255mm W 195mm H 50mm		

			
1			
Part No.	698074	Ref. No.	MF0189
description	meat collecting tray L 310mm W 240mm H 50mm		


			
1			
Part No.	698071	Ref. No.	MF0028
description	meat collecting tray \varnothing 160mm Lmm Wmm H 60mm		

			
1			
Part No.	698073	Ref. No.	MF0157
description	meat collecting tray \varnothing 220mm Lmm Wmm H 90mm		

fastening material

rivets/rivet nuts


plastic rivets


			
1			
Part No.	692572	Ref. No.	PANE9082930AP
description	mounting clip \varnothing 8mm suitable for microwave		




screws


countersunk screws

 <p>1</p>			
Part No.	560201	Ref. No.	RG08060
description	countersunk screw thread M6 L 14mm WS 4 SS DIN 7991/ISO 10642 Qty 1 pcs intake hexagonal		
For models:	PP EXPO 4 CE, PP EXPO 8 CE		


 <p>1</p>			
Part No.	560661	Ref. No.	IX27991008020
description	countersunk screw thread M8 L 20mm DIN 7991 Qty 10 pcs intake hexagonal 5mm head ø 16mm		

 <p>1</p>			
Part No.	560383	Ref. No.	40000000 C9VV Pos.98
description	countersunk screw thread M5 L 16mm SS DIN 965/ISO 7046 Qty 1 pcs head ø 9mm oval head		


flat-headed bolts

 <p>1</p>			
Part No.	560062	Ref. No.	60000000
description	flat-headed bolt thread M4 thread L 10mm SS DIN 7985/ISO 7045 Qty 20 pcs intake Phillips head ø 8mm head thickness 2mm		


oval head screws

 <p>1</p>			
Part No.	560319	Ref. No.	RG04062
description	oval head screw thread M6 thread L 14mm intake hexagonal 4mm		
For models:	PP EXPO 4 CE, PP EXPO 8 CE		


hexagonal screws


 <p>1</p>			
Part No.	560090	Ref. No.	IX2933006030
description	hexagonal screw thread M6 thread L 30mm SS WS 10 Qty 20 pcs DIN 933 / ISO 4017		


cylinder head bolts


<p>DIN 912/ISO 4762</p>  <p>1</p>			
Part No.	560591	Ref. No.	IX2912005016
description	cylinder head bolt thread M5 thread L 16mm WS 4 SS Qty 1 pcs intake internal hexagon DIN 912/ISO 4762		

grub screws

<p>DIN 916/ISO 4029</p>  <p>1</p>			
Part No.	696273	Ref. No.	AMA085 AMI072
description	grub screw thread M5 L 10mm DIN 916/ISO 4029 intake internal hexagon WS 2.5 Qty 1 pcs		
For models:	PERLA 220 CE DOM, PERLA 250 CE DOM		

 <p>1</p>			
Part No.	696274	Ref. No.	AMA026
description	grub screw thread M5 L 6/10mm DIN 916/ISO 4029 WS 2.5 set Qty 1 pcs L1 6mm L2 10mm		

 <p>1</p>			
Part No.	696272	Ref. No.	AMA266
description	grub screw thread M5 L 6mm DIN 916/ISO 4029 intake internal hexagon WS 2.5 Qty 1 pcs		
For models:	PERLA 220 CE DOM, PERLA 250 CE DOM		

 <p>1</p>			
Part No.	510906	Ref. No.	AMA030
description	grub screw thread M6 L 8mm stainless steel DIN 914/ISO 4027 WS 3 Qty 1 pcs		
For models:	PERLA 220 CE DOM, PERLA 250 CE DOM		



1

Part No.	560207	Ref. No.	AMA086
description	grub screw thread M8 L 10mm steel DIN 916/ISO 4029 intake internal hexagon WS 4 Qty 1 pcs		
For models:	PERLA 220 CE DOM, PERLA 250 CE DOM		

miscellaneous



1

Part No.	504788	Ref. No.	AMA282
description	screw thread M5 L 50mm Qty 1 pcs		
For models:	PERLA 220 CE DOM, PERLA 250 CE DOM		

miscellaneous

1

Part No.	696006	Ref. No.	MF0124
description	screw		

nuts

wing nuts



1

Part No.	697300	Ref. No.	IB77DG12
description	wing nuts thread M12 SS Qty 1 pcs		



1

Part No.	560147	Ref. No.	AMC678
description	wing nuts thread M6 SS DIN/ISO DIN 315 Qty 20 pcs		
For models:	PERLA 220 CE DOM, PERLA 250 CE DOM		

cap nuts



1

Part No.	695119	Ref. No.	IB2000910
description	cap nuts thread M5L WS 10 SS Qty 1 pcs		
For models:	DRAGONE CE, ORIONE CE		

hexagonal nuts

DIN 934 / ISO 4032/8673



1

Part No.	560133	Ref. No.	IX2934006
description	hexagonal nut thread M6 H 5mm WS 10 SS DIN/ISO DIN 934 / ISO 4032/8673 Qty 20 pcs		

washers

spring rings



1

Part No.	560123	Ref. No.	IX21751006
description	lock washer ID ø 6.3mm ED ø 11mm SS DIN127 Qty 20 pcs for thread M6		

spring washers



1

Part No.	696253	Ref. No.	19342005 AMA096
description	spring washer ID ø 12mm ED ø 25mm Qty 1 pcs		
For models:	PERLA 220 CE DOM, PERLA 250 CE DOM		



1

Part No.	696254	Ref. No.	19342006
description	spring washer ID ø 19mm ED ø 32mm Qty 1 pcs		



washers

DIN 125A



1

Part No.	560113	Ref. No.	AMA238 RG04064
description	plain washer ID ø 6.4mm ED ø 12mm thickness 1.6mm SS Qty 20 pcs DIN 125A for thread M6		
For models:	PERLA 220 CE DOM, PERLA 250 CE DOM, PP EXPO 4 CE, PP EXPO 8 CE		

DIN 9021



1

Part No.	560117	Ref. No.	IV77R06X18 IV77R06X20
description	plain washer ID ø 6.4mm ED ø 18mm thickness 1.5mm SS Qty 20 pcs DIN 9021 for thread M6		

fasteners

slot nuts



1

Part No.	560659	Ref. No.	IX26885A050512
description	slot nut W 5mm H 5mm L 12mm		



1

Part No.	692006	Ref. No.	IV76C5X5X20
description	slot nut W 5mm H 5mm L 20mm		



1

Part No.	560456	Ref. No.	19365010
description	slot nut W 5mm H 5mm L 45mm		

retaining rings

DIN 471



1

Part No.	693061	Ref. No.	IB77SE25
description	retaining ring shaft ø 25mm thickness 1.2mm steel DIN 471		
For models:	OLIMPO		



1

Part No.	523104	Ref. No.	LF1513006
description	retaining ring thickness 1.6mm stainless steel DIN 471 bore ø 30mm		
For models:	IP30, MASTER30		

DIN 472



1

Part No.	698004	Ref. No.	MF0114
description	retaining ring bore ø 40mm thickness 1.9mm steel DIN 472		
For models:	TCG12E, TCG22E		



1

Part No.	523102	Ref. No.	IB77SI47
description	retaining ring bore ø 47mm thickness 1.8mm steel DIN 472		
For models:	OLIMPO		

consumables

lubricants

oils

gear oils



1

Part No.	890285	Ref. No.	N/A
description	gear oil 680 EP for mincer Qty 1l		

fuses

fine fuses



1

Part No.	358184	Ref. No.	PA62304210BP
description	fine fuse size ø6x30mmmm 10A slow-acting rated 250V Qty 1 pcs		

GASTROPARTS.COM

