



GASTROPARTS

Saro

[EN] Equipment

[DE] Geräte

[ES] Aparatos

[FR] Équipement

[IT] Attrezzature

[PL] Urządzenia

[RU] Оборудование

✉ gastroparts@gastroparts.com

☎ +48 56 657 00 66

📘 fb.com/gastroparts.global

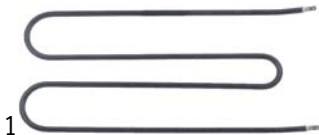
GASTROPARTS.COM





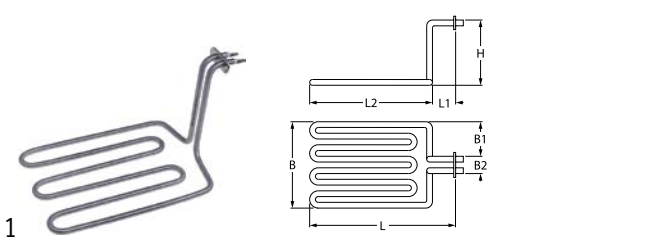
heating elements

heating elements for bain maries



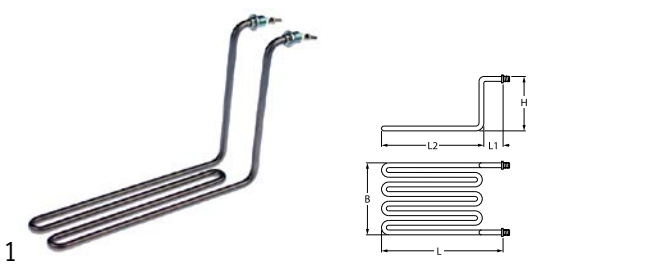
Part No.	420070	Ref. No.	94-8095019
description	heating element 1200W 230V heating circuits 1 L 406mm L1 30mm W 140mm connection male faston 6.3mm connection distance 134mm tube ø 7mm dry heating element for bain marie L2 380mm H 15mm		






heating elements for fryers






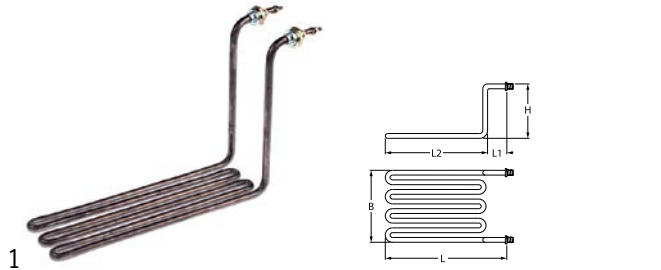
Part No.	418643	Ref. No.	172-2060 172-5016
description	heating element 3200W 230V heating circuits 1 L 290mm W 185mm H 165mm L1 35mm L2 255mm W1 78mm W2 29mm flange length 50mm flange width 22mm hole distance 40mm windings 3 tube ø 8.5mm connection length 35mm connection F 6.3 hole ø 4mm rectangular flange immersion heater		









2 hole fixing



Part No.	418462	Ref. No.	172-5000	
description	heating element 1250W 230V heating circuits 1 L 293mm W 69mm H 178mm L1 25mm L2 268mm thread 1/4" mounting distance 56mm tube ø 8.5mm windings 2 2 hole fixing connection M4 connection length 28mm immersion heater			
accessories for	418462			
	Part No.	361182	Ref. No.	—
	nut thread 1/4" H 5mm nickel-plated brass WS 17 Qty 1 pcs			
	Part No.	510417	Ref. No.	—
	flat gasket fibre ED ø 20mm ID ø 14mm thickness 2mm Qty 1 pcs			
	Part No.	520228	Ref. No.	—
	tooth lock washer ID ø 15.3mm ED ø 24mm steel Qty 1 pcs for thread M14			
	Part No.	521103	Ref. No.	—
	nut thread M4 H 3mm WS 7 brass Qty 20 pcs			
	Part No.	521104	Ref. No.	—
	washer ID ø 4.3mm ED ø 8mm thickness 0.5mm brass Qty 20 pcs for thread M4			


accessories for	418462			
	Part No.	550262	Ref. No.	—
	flat gasket copper ED ø 20mm ID ø 14mm thickness 2mm			
	Part No.	560111	Ref. No.	—
	plain washer ID ø 4.3mm ED ø 9mm thickness 0.8mm SS Qty 20 pcs DIN 125A for thread M4			
	Part No.	560131	Ref. No.	—
	hexagonal nut thread M4 H 3.2mm WS 7 SS DIN/ISO DIN 934 / ISO 4032/8673 Qty 20 pcs			




Part No.	418445	Ref. No.	94-8010	
description	heating element 2500W 230V heating circuits 1 L 279mm W 78mm H 178mm L1 17mm L2 262mm thread 1/4" tube ø 8.5mm windings 3 2 hole fixing connection M4 fryer			
spare parts for	418445			
	Part No.	510417	Ref. No.	—
	flat gasket fibre ED ø 20mm ID ø 14mm thickness 2mm Qty 1 pcs			
accessories for	418445			
	Part No.	361182	Ref. No.	—
	nut thread 1/4" H 5mm nickel-plated brass WS 17 Qty 1 pcs			
	Part No.	520228	Ref. No.	—
	tooth lock washer ID ø 15.3mm ED ø 24mm steel Qty 1 pcs for thread M14			
	Part No.	521103	Ref. No.	—
	nut thread M4 H 3mm WS 7 brass Qty 20 pcs			
	Part No.	521104	Ref. No.	—
	washer ID ø 4.3mm ED ø 8mm thickness 0.5mm brass Qty 20 pcs for thread M4			
	Part No.	550262	Ref. No.	—
	flat gasket copper ED ø 20mm ID ø 14mm thickness 2mm			
	Part No.	560111	Ref. No.	—
	plain washer ID ø 4.3mm ED ø 9mm thickness 0.8mm SS Qty 20 pcs DIN 125A for thread M4			
	Part No.	560131	Ref. No.	—
	hexagonal nut thread M4 H 3.2mm WS 7 SS DIN/ISO DIN 934 / ISO 4032/8673 Qty 20 pcs			





heating plates

			
1			
Part No.	417569	Ref. No.	S160P022
description	hot plate 58W 230V L 62mm W 43mm		

quartz heating elements

			
1			
Part No.	418968	Ref. No.	12-1712
description	quartz heating element 500W 240V L 460mm ø 9mm for salamander grill		


heating elements for convection


			
1			
Part No.	415124	Ref. No.	20-2057
description	heating element 2300W 230V heating circuits 1 ID ø 183mm ED ø 198mm L 215mm H 28mm L1 11mm W1 31mm H1 15mm H2 21mm flange length 70mm flange width 22mm hole distance 56mm connection male faston 6.3mm tube ø 6.3mm convection heating element hole ø 4mm rectangular flange		
accessories for	415124		
	Part No.	510368	Ref. No. —
	gasket L 70mm W 23.5mm hole ø 5mm hole distance 56mm FIBER thickness 2mm for heating element		

thermostats

bi-metal thermostats

miscellaneous

			
1			
Part No.	374059	Ref. No.	282-5049
description	thermostat hole distance 27mm switch-off temp.°C 10 no to be sold in FranceA 250 no to be sold in FranceV connection M4 for rice cooker		

			
1			
Part No.	374043	Ref. No.	282-5049
description	thermostat switch-off temp.°C 1NC 1-pole 10A 250V connection M4		

control and safety thermostats

EGO

control thermostats

55.10/19_ series

			
1			
Part No.	375777	Ref. No.	122-2002
description	thermostat t.max. 180°C temperature range 70-180°C 1-pole 1NO 16A probe ø 6mm probe L 87mm capillary pipe 600mm capillary pipe isolated 350mm gland nut shaft ø 6x4.6mm shaft L 23mm shaft position upper rotation 270°		

55.34_ series

			
1			
Part No.	375434	Ref. No.	122-2084
description	thermostat t.max. 180°C 3-pole 3NO 16A probe ø 6mm probe L 134mm capillary pipe 1250mm capillary pipe isolated 2050mm gland nut shaft ø 6x4.6mm shaft L 23mm shaft position upper rotation 270°		



E-G-O




1

Part No.	375929	Ref. No.	122-2082
description	thermostat t.max. 182°C temperature range 101-182°C 3-pole 3NO 16A probe ø 6mm probe L 133mm capillary pipe 1180mm capillary pipe isolated 1040mm gland nut shaft ø 6x4.6mm shaft L 23mm shaft position upper rotation 270°		

safety thermostats

55.11_ series

E-G-O




1

Part No.	375109	Ref. No.	34-1370
description	safety thermostat switch-off temp. 240°C 1-pole 16A probe ø 4mm probe L 91mm capillary pipe 530mm capillary pipe isolated 350mm gland nut probe SS		

switches and momentary switches

cam switches

10 operating positions




1

Part No.	347459	Ref. No.	237-2074
description	cam switch 10 operating positions shaft ø 6x4.6mm shaft L 23mm connection male faston 6.3mm 11-pole		

rotary switches


GOTTAK



1

Part No.	347397	Ref. No.	122-2018
description	rotary switch 2 0-1 sets of contacts 1 type 4RH 400V 16A shaft ø 6x4.6mm shaft L 18mm shaft oval connection male faston 6.3mm t.max. 105°C		

miscellaneous

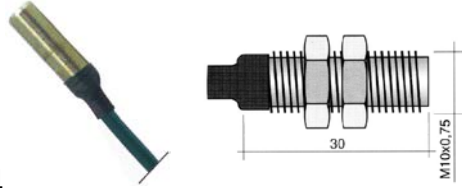


1

Part No.	348036	Ref. No.	122-2018
description	rotary switch sets of contacts 2 2 0-1 type CH 400V 16A shaft ø 6x4.6mm shaft L 22mm connection male faston 6.3mm		

magnetic switches


M10x0.75



1

Part No.	345632	Ref. No.	10-1595	
description	magnetic switch thread M10x0.75 1NO 250V 0.5A P max. 50W connection cable cable length 2000mm type 102			
accessories for	345632			
	Part No.	100779	Ref. No.	—
	nut thread M10x0.75 H 3mm WS 14 SS Qty 2 pcs			

miscellaneous



1

Part No.	347457	Ref. No.	325-5000	
description	magnetic switch 12V 0.5A P max. 6W 1CO connection coded plug L 55mm cable length 360mm L1 35mm			
accessories for	347457			
	Part No.	347458	Ref. No.	325-5015
	magnet ø 11mm L 12.4mm H 12.4mm Wmm ID ø 6mm ED ø 11mm M5 hole ø 5.75mm			




accessories

magnets



1

Part No.	347458	Ref. No.	325-5015
description	magnet ø 11mm L 12.4mm H 12.4mm Wmm ID ø 6mm ED ø 11mm M5 hole ø 5.75mm		
accessories for	347458		
	Part No.	347457	Ref. No.
			325-5000
	magnetic switch 12V 0.5A P max. 6W 1CO connection coded plug L 55mm cable length 360mm L1 35mm		

lamps

indicator lights

indicator lights (complete)

ø13mm

with plug-in socket



1

Part No.	359143	Ref. No.	122-2004
description	indicator light ø 13mm yellow 230V connection male faston 6.3mm temp.-resist. 120°C Qty 1 pcs		

timers

mechanical timers



1

Part No.	350104	Ref. No.	122-2053
description	timer C20 2-pole operation time 15min impulse mechanical 2NO at 250V 16A permanent position no shaft ø 6x4.6mm shaft L 23mm mounting distance 28mm mounting thread M8 connection lateral		

electronics

PCBs



1

Part No.	402954	Ref. No.	325-5006
description	control PCB ice cube maker ZB26/50 L 121mm W 73mm		

motors

gear motors

for ice-cube maker

for paddles



1

Part No.	501535	Ref. No.	3962010
description	gear motor type 50KTYZ 6W 220-240V 50/60Hz 33/40rpm shaft ø 7mm		



1


Part No.	499085	Ref. No.	325-5007
description	motor DEXUN type 60KTYZ 14W 220-240V voltage AC 50/60Hz 50/60rpm shaft ø 7mm L 60mm W 60mm for paddle		

for sumps



1

Part No.	499309	Ref. No.	325-5005
description	motor DEXUN type 50KTYZ 6W 220-240V voltage AC 50/60Hz 1/1.2rpm shaft ø 7mm W 50mm for sump		





1

Part No.	499086	Ref. No.	325-5005 Komplet
description	motor DEXUN type 50KTYZ 6W 220-240V voltage AC 50/60Hz 1/1.2rpm shaft ø 7mm W 50mm for sump complete		

fuses

thermal fuses




1

Part No.	358173	Ref. No.	S160P025
description	thermal fuse switch-off temp. 216°C nominalA		

electric accessories

cables

power supply cables



1

Part No.	551193	Ref. No.	
description	power lead CEE7/7 type E+F 3-pole contacts P+N+E 1.5mm ² max. 16A max 230V 1.37m H07RN-F 3G1.50mm ² countries A/B/D/F/I		

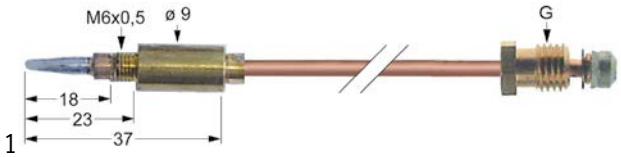
ignition parts

thermocouples

threaded thermocouples

threaded thermocouples standard

threaded thermocouples (miscellaneous)



1


Part No.	102121	Ref. No.	237-20541	
description	thermocouple M8x1 L 600mm M6x0.5			
accessories for	102121			
	Part No.	100892	Ref. No.	—
	thermocouple nut thread M6x0.5 H 6.5mm WS 8 brass Qty 1 pcs			

equipment-specific units

for ice-cube maker

pan mechanics

spare parts and accessories




1

Part No.	694552	Ref. No.	325-5023
description	disc for pan tilting ø 99mm shaft length 19mm		


knobs

universal knobs



1

Part No.	112026	Ref. No.	328-3008	
description	knob thermostat t.max. 270°C ø 50mm shaft ø 6x4.6mm shaft flat upper black temperature range 50-190°C rotation 270°			
accessories for	112026			
	Part No.	110135	Ref. No.	—
	rosette knob up to ø 52mm			




1

Part No.	112121	Ref. No.	122-2009
description	knob thermostat t.max. 180°C ø 48mm shaft ø 6x4.6mm shaft flat upper temperature range 70-180°C rotation 270°		


producer-specific knobs

SARO




1

Part No.	110568	Ref. No.	122-2054
description	knob switch zero mark t.max.°C ø 40mm shaft ø 6x4.6mm shaft flat upper black		





1

Part No.	112121	Ref. No.	122-2009
description	knob thermostat t.max. 180°C ø 48mm shaft ø 6x4.6mm shaft flat upper temperature range 70-180°C rotation 270°		

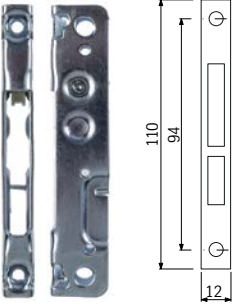


1

Part No.	112026	Ref. No.	328-3008	
description	knob thermostat t.max. 270°C ø 50mm shaft ø 6x4.6mm shaft flat upper black temperature range 50-190°C rotation 270°			
accessories for	112026			
	Part No.	110135	Ref. No.	—
	rosette knob up to ø 52mm			

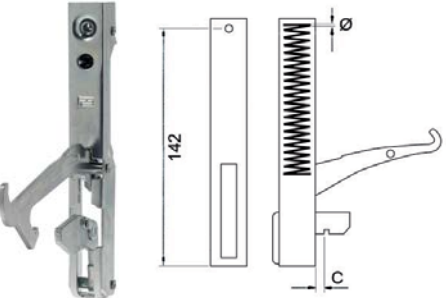
hinges

oven hinges




1

Part No.	693045	Ref. No.	237-2008
description	opposite support L 110mm W 12mm mounting distance 94mm		



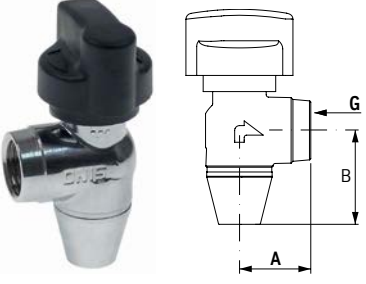
1

Part No.	700459	Ref. No.	237-2040	
description	oven hinge mounting distance 142mm mounting distance 2mm lug mountingmm lever length 117mm groove distance 7mm spring thickness 3.5mm mounting ear position 156mm W 22mm			
accessories for	700459			
	Part No.	693045	Ref. No.	237-2008
	opposite support L 110mm W 12mm mounting distance 94mm			

fittings for catering equipment

outlet taps

universal




1

Part No.	540747	Ref. No.	172-5008
description	outlet tap chrome-plated brass angled W 30mm H 40mm thread 1/2" IT		

baskets


fryer baskets

SARO




1

Part No.	970485	Ref. No.	122-2006
description	fryer basket L1 245mm W1 140mm H1 100mm		




1

Part No.	970186	Ref. No.	122-2007
description	fryer basket L1 245mm W1 220mm H1 95mm chrome-plated steel hinged handle		



1

Part No.	970181	Ref. No.	122-2006	
description	fryer basket L1 255mm W1 135mm H1 100mm chrome-plated steel hinged handle			
accessories for	970181			
	Part No.	694989	Ref. No.	—
	handle L 130mm W 35mm for fryer basket plastic			



consumables

fuses

thermal fuses



Part No.	358173	Ref. No.	S160P025
description	thermal fuse switch-off temp. 216°C nominalA		

GASTROPARTS.COM

