



**GASTROPARTS**

# Sammic

- [EN]** Equipment
- [DE]** Geräte
- [ES]** Aparatos
- [FR]** Équipement
- [IT]** Attrezzature
- [PL]** Urządzenia
- [RU]** Оборудование

✉ [gastroparts@gastroparts.com](mailto:gastroparts@gastroparts.com)

☎ tel. +48 56 657 00 66

📘 [fb.com/gastroparts.global](https://fb.com/gastroparts.global)

**GASTROPARTS.COM**







# heating elements


## immersion heating elements

### 3 hole flange ø38.5mm




<b>Part No.</b>	420206	<b>Ref. No.</b>	2313132 2319211
<b>description</b>	heating element 2000W 230V mounting ø 38.5mm heating circuits 1 L 261mm W 33mm H 19mm number of thermostat sleeves 1 thermostat sleeves ø 7mm length thermostat sleeves 105mm thermostat sleeve eccentric, non clinging tube ø 6mm hole distance 57.5mm hole ø 10mm 3 hole flange connection male faston 6.3mm immersion heater		
<b>For models:</b>	P-35, P-41, SL-18, SL-20E		
<b>accessories for</b>	420206		
	<b>Part No.</b>	<b>Ref. No.</b>	—
	532577		
	O-ring EPDM thickness 5.34mm ID ø 40.65mm Qty 1 pcs		

### with expansion flange 40 x 17mm





<b>Part No.</b>	420028	<b>Ref. No.</b>	2313119 2319207
<b>description</b>	heating element 1500W 220V flange 40x17mm L 115mm W 190mm H 24mm tube ø 8mm heating circuits 1 immersion heater		
<b>For models:</b>	P-35, P-41, S-41, SL-19, SL-19D, SL-20, SL-20D, SL-21, SL-21B, SL-21BD, SL-21D, SL-22, SL-22B, SL-22BD, SL-22D, SL-23, SL-23B, SL-23BP, SL-24, SL-290B, SL-350B, SL-550B, SL-550BP, X-35, X-40, X-41, X-45		


### with expansion flange 70 x 18mm




<b>Part No.</b>	416357	<b>Ref. No.</b>	2302830
<b>description</b>	heating element 2000W 230V heating circuits 1 flange 70x18mm L 265mm W 65mm connection M4 tube ø 8.5mm		
<b>For models:</b>	BM-21, E-18, E-19, LVT-18, LVT-18A, LVT-18H, SV-18, SV-18H		



<b>Part No.</b>	416370	<b>Ref. No.</b>	2309092
<b>description</b>	heating element 2500W 230V heating circuits 1 flange 70x18mm L 380mm W 68mm H 30mm connection male faston 6.3mm tube ø 8mm		
<b>For models:</b>	E-1000, S-350, S-550, SB-350, SB-550, SC-1100, SL-650C, SL-650C-USA, SP-290, SP-350, SP-550, SP-550B, SP-800		
<b>accessories for</b>	416370		
	<b>Part No.</b>	<b>Ref. No.</b>	2309053
	510429		
	gasket L 76mm W 23mm hole distance 25mm 3 holes for heating element type DB 70 without thermostat sensor hole		





<b>Part No.</b>	420029	<b>Ref. No.</b>	2313408 2313465
<b>description</b>	heating element 2500W 230V heating circuits 1 flange 70x18mm L 390mm W 95mm H 29mm connection male faston 6.3mm immersion heater tube ø 8mm		
<b>For models:</b>	P-100, P-50, S-100, S-120, S-50, S-60, SL-1100B, SL-1100BP, SL-1200B, SL-1200BP, SL-290B, SL-350B, SL-360, SL-550, SL-550B, SL-550BP, SL-560, SL-800B, SL-810, SL-900, X-100, X-120, X-50, X-60, X-80		



<b>Part No.</b>	420076	<b>Ref. No.</b>	2309094
<b>description</b>	heating element 3000W 230V heating circuits 3 flange 70x18mm L 380mm W 65mm H 28mm connection male faston 6.3mm immersion heater expansion flange for tank tube ø 6.4mm		
<b>For models:</b>	LV-1100, LV-1200, S-60, S-750, S-750A, SB-750, SB-750A, SC-1200, SL-1100B, SL-1100BP, SL-1200B, SL-1200BP, SL-650C, SL-900		



### with round flange ø57.5mm





<b>Part No.</b>	416369	<b>Ref. No.</b>	2309696
<b>description</b>	heating element 2500W 230V heating circuits 1 mounting ø 57.5mm L 255mm W 31mm H 42mm connection male faston 6.3mm tube ø 8mm thermostat sleeves ø 7mm number of thermostat sleeves 1 length thermostat sleeves 110mm thermostat sleeve centre		
<b>For models:</b>	E-300, LVT-19, S-20, S-21, S-23, S-41, SB-22, SB-23, SL-290B, SL-350B, SL-550B, SL-550BP, SP-23, SP-23B, SP-290, SP-350, SP-550, SP-550B, SV-19, SV-20, SV-21, SV-21B, X-35, X-40, X-41, X-45		
<b>accessories for</b>	416369		
	<b>Part No.</b>	<b>Ref. No.</b>	—
	550002		
	tension strap H 10mm L 21mm W 10mm hole ø 6.5mm for heating element		



electric components





			
<b>Part No.</b>	420207	<b>Ref. No.</b>	2319070
<b>description</b>	heating element 2800W 230V heating circuits 1 mounting ø 57.5mm L 297mm W 32mm H 37mm round flange connection male faston 6.3mm immersion heater tube ø 8mm connection length 32mm thermostat sleeves ø 7mm number of thermostat sleeves 1 length thermostat sleeves 110mm thermostat sleeve centre not clinging		
<b>For models:</b>	S-41, SL-19, SL-19D, SL-20D, SL-21BD, SL-21D, SL-22, SL-22B, SL-22BD, SL-22D, SL-23, SL-23B, SL-23BP, SL-24, SL-290B, SL-350B, SL-550B, SL-550BP, X-35, X-40, X-41, X-45		
<b>accessories for</b>	420207		
	<b>Part No.</b>	550002	<b>Ref. No.</b> —
	tension strap H 10mm L 21mm W 10mm hole ø 6.5mm for heating element		

			
<b>Part No.</b>	420030	<b>Ref. No.</b>	2309778
<b>description</b>	heating element 3000W 230V heating circuits 1 mounting ø 57.5mm L 308mm W 32mm H 37mm connection male faston 6.3mm immersion heater tube ø 8mm thermostat sleeves ø 8mm number of thermostat sleeves 1 length thermostat sleeves 105mm thermostat sleeve centre		
<b>For models:</b>	S-290, S-350, S-50, SB-290, SB-350, SL-290B, SL-350B, SL-360, SL-550, SL-550B, SL-550BP, SL-560, SP-290, SP-350, SP-550, SP-550B, X-50		

			
<b>Part No.</b>	420031	<b>Ref. No.</b>	2305052 2309100 2309860
<b>description</b>	heating element 4500W 230V heating circuits 3 mounting ø 57.5mm L 365mm W 33mm H 38mm connection male faston 6.3mm immersion heater tube ø 8mm thermostat sleeves ø 8mm number of thermostat sleeves 1 length thermostat sleeves 105mm thermostat sleeve centre		
<b>For models:</b>	S-550, S-60, SB-550, SL-290B, SL-350B, SL-550B, SL-550BP, SL-650C, SL-650C-USA, SL-810, SL-900, SP-290, SP-350, SP-550, SP-550B, X-60		


			
<b>Part No.</b>	420036	<b>Ref. No.</b>	2309098
<b>description</b>	heating element 6000W 230V heating circuits 3 mounting ø 57.5mm L 455mm W 34mm H 40mm round flange connection male faston 6.3mm tube ø 8mm thermostat sleeves ø 8mm number of thermostat sleeves 1 length thermostat sleeves 105mm thermostat sleeve centre		
<b>For models:</b>	E-1000, LV-1100, P-100, S-100, S-120, S-750, S-750A, SB-750, SB-750A, SC-1100, SL-1100B, SL-1100BP, SL-1200B, SL-1200BP, SL-800B, SL-900, SP-800, SU-600, SU-750, X-100, X-120		
<b>accessories for</b>	420036		
	<b>Part No.</b>	510409	<b>Ref. No.</b> —
	O-ring EPDM thickness 5.34mm ID ø 56.52mm Qty 1 pcs		


			
<b>Part No.</b>	420205	<b>Ref. No.</b>	2309858
<b>description</b>	heating element 9000W 230V heating circuits 3 mounting ø 57.5mm L 510mm W 34mm H 44mm round flange connection M4 immersion heater tube ø 8mm thermostat sleeves ø 7mm number of thermostat sleeves 1 length thermostat sleeves 110mm thermostat sleeve centre not clinging		
<b>For models:</b>	LV-1200, S-100, S-120, SC-1200, SL-1100B, SL-1100BP, SL-1200B, SL-1200BP, SL-900, ST, ST-1400, ST-1700, ST-2200, ST-2800, ST-3000, ST-3500, SU-600, SU-750, X-100, X-120		

			
<b>Part No.</b>	420194	<b>Ref. No.</b>	2309746
<b>description</b>	heating element 1500W 230V heating circuits 1 L 190mm W 120mm H 19mm thread 1/4" mounting distance 69mm tube ø 8mm connection male faston 6.3mm immersion heater 2 hole fixing		
<b>For models:</b>	E-19, E-300, LVT-19, S-20, S-21, S-23, S-290, SB-22, SB-23, SB-290, SP-23, SP-23B, SP-290, SP-350, SP-550, SP-550B, SV-19, SV-20, SV-21, SV-21B		

accessories

flange gaskets


			
<b>Part No.</b>	510401	<b>Ref. No.</b>	00003430
<b>description</b>	gasket rubber L 88mm W 73mm thickness 5mm hole ø 7mm hole distance 65mm for heating element 4 holes ID ø 50mm		

			
<b>Part No.</b>	510429	<b>Ref. No.</b>	2309053
<b>description</b>	gasket L 76mm W 23mm hole distance 25mm 3 holes for heating element type DB 70 without thermostat sensor hole		
<b>For models:</b>	E-18, E-19, LVT-18, LVT-18A, LVT-18H, SV-18, SV-18H		

thermostats

bi-metal thermostats

safety bi-metal thermostats

			
<b>Part No.</b>	390717	<b>Ref. No.</b>	2302852 2319230
<b>description</b>	bi-metal safety thermostat hole distance 23.8mm switch-off temp. 110°C 1NC 1-pole 16A 250V connection F6.3 2 hole fixing mounting ø 18.3mm		
<b>For models:</b>	E-1000, E-300, LV-1100, LV-1200, LVT-19, P-100, P-50, S-100, S-120, S-20, S-21, S-23, S-290, S-350, S-41, S-50, S-550, S-60, S-750, S-750A, SB-22, SB-23, SB-290, SB-350, SB-550, SB-750, SB-750A, SC-1100, SC-1200, SL-1100B, SL-1100BP, SL-1200B, SL-1200BP, SL-20, SL-20D, SL-21, SL-21B, SL-21BD, SL-21D, SL-22, SL-22B, SL-22BD, SL-22D, SL-23, SL-23B, SL-23BP, SL-24, SL-290B, SL-350B, SL-550B...(Other models you can see in the webshop)		



control and safety thermostats

IMIT / TEMPOMATIC / ARTERMO

control thermostats



<b>Part No.</b>	375280	<b>Ref. No.</b>	2302850 2309068
<b>description</b>	thermostat t.max. 86°C temperature range 0-86°C 1-pole 1CO 16A probe ø 6.5mm probe L 98mm capillary pipe 920mm capillary pipe isolatedmm gland nut shaft ø 6x4.6mm shaft L 20mm shaft position +135° rotation 270° probe material copper		
<b>For models:</b>	E-1000, E-18, E-19, E-300, LV-1100, LV-1200, LV-290, LV-350, LV-550, LV-750, LV-750A, LVT-18, LVT-18A, LVT-18H, LVT-19, P-35, P-41, P-50, S-20, S-21, S-23, S-290, S-350, S-550, S-750, S-750A, SA-3000, SA-5000, SAS-5000, SAS-6000, SB-22, SB-23, SB-290, SB-350, SB-550, SB-750, SB-750A, SC-1100, SC-1200, SL-1100B, SL-1100BP, SL-1200B, SL-1200BP, SL-18, SL-19, SL-19D, SL-20, SL-20D, SL-20E, SL-21...(Other models you can see in the webshop)		

30x22mm

<b>Part No.</b>	347956	<b>Ref. No.</b>	2140282 2310416
<b>description</b>	rocker switch mounting measurements 30x22mm white 2NO 250V 20A illuminated 0-1 connection male faston 6.3mm ambient temperature max. 125/55°C protection IP65 with rubber collar		
<b>For models:</b>	ECM, SAM-3001, SL-20E, SL-300, V-201T, V-253T		

<b>Part No.</b>	346474	<b>Ref. No.</b>	2310405
<b>description</b>	dummy element external size 30x22mm suitable for rocker switch		
<b>For models:</b>	SC-1100, SC-1200, SL-20, SL-21, SL-21B, SL-23, SL-23B, SL-23BP, SL-290B, SL-350B, SL-550B, SL-550BP, SP-23, SP-23B, SP-290, SP-350, SP-550, SP-550B, SV-20, SV-21, SV-21B		

switches and momentary switches

rocker/momentary rocker switches

25.5x25mm

<b>Part No.</b>	346869 <sup>1</sup>	<b>Ref. No.</b>	2306536
<b>description</b>	rocker switch mounting measurements 25.5x25mm green 2NO 250V 16A illuminated main switch connection male faston 6.3mm ambient temperature max. 85°C protection IP40		
<b>For models:</b>	LVT-19, S-21, TS-150, V-200T, V-252T		
<b>accessories for</b>	346869		
<b>Part No.</b>	301323	<b>Ref. No.</b>	—
<b>description</b>	protective cover external size 35x35mm H 11mm transparent suitable for rocker switch mounting measurements 25.5x25mm L 35mm W 35mm		

<sup>1</sup>illuminated

27.8x25mm

<b>Part No.</b>	347173 <sup>1</sup>	<b>Ref. No.</b>	4301649
<b>description</b>	momentary rocker switch mounting measurements 27.8x25mm white 2NO 250V 16A illuminated programme connection male faston 6.3mm ambient temperature max. 85°C protection IP40		
<b>For models:</b>	S-21, SB-22		

<sup>1</sup>illuminated

push/momentary push switches

19x13mm

<b>Part No.</b>	347106	<b>Ref. No.</b>	2052737
<b>description</b>	momentary push switch mounting measurements 19x13mm black 1NO 250V 16A connection male faston 6.3mm ambient temperature max. 105°C protection IP65 with cover cap		
<b>For models:</b>	M-5, SK-3, SK-5, SK-8, SKE-3, SKE-5, SKE-8		

<b>Part No.</b>	347105	<b>Ref. No.</b>	2052736
<b>description</b>	push switch mounting measurements 19x13mm black 1NO 250V 16A connection male faston 6.3mm ambient temperature max. 85°C protection IP65 with cover cap		
<b>For models:</b>	SK-3, SK-5, SK-8, SKE-3, SKE-5, SKE-8		

<b>Part No.</b>	359446 <sup>1</sup>	<b>Ref. No.</b>	2052735
<b>description</b>	push switch mounting measurements 19x13mm yellow 2NO 250V 16A illuminated connection male faston 6.3mm ambient temperature max. 125°C protection IP65 with cover cap		
<b>For models:</b>	M-5, SK-3, SK-5, SK-8, SKE-3, SKE-5, SKE-8		

<sup>1</sup>illuminated



30x22mm



1

<b>Part No.</b>	301274	<b>Ref. No.</b>	4301648
<b>description</b>	momentary push switch mounting measurements 30x22mm black 1NO 250V 16A connection male faston 6.3mm ambient temperature max. 85/55°C protection IP65 with cover cap		
<b>For models:</b>	SV-18, SV-18H		



1

<b>Part No.</b>	301275 <sup>1</sup>	<b>Ref. No.</b>	2306538
<b>description</b>	push switch mounting measurements 30x22mm orange 2NO 250V 16A illuminated connection male faston 6.3mm ambient temperature max. 85°C protection IP65 with cover cap		
<b>For models:</b>	E-18, E-19, E-300, LVT-18, LVT-18A, LVT-18H, S-20, SV-18, SV-18H		

illuminated



1

<b>Part No.</b>	346048	<b>Ref. No.</b>	2310400 2319394
<b>description</b>	momentary push switch mounting measurements 30x22mm black 1NO 250V 16A connection male faston 6.3mm ambient temperature max. 85/125°C protection IP40		
<b>For models:</b>	P-41, P-50, SC-1100, SC-1200, SL-20, SL-21, SL-21B, SL-23, SL-23B, SL-23BP, SL-290B, SL-350B, SL-550B, SL-550BP, SL-800B, SP-23, SP-23B, SP-290, SP-350, SP-550, SP-550B, SP-800, SV-20, SV-21, SV-21B		



1

<b>Part No.</b>	347024	<b>Ref. No.</b>	2310404 2319208
<b>description</b>	momentary push switch mounting measurements 30x22mm white 1NO/indicator light 250V 16A connection male faston 6.3mm ambient temperature max. 85/55°C protection IP40		
<b>For models:</b>	P-35, P-41, P-50, SA-3000, SA-5000, SAM-3000, SAS-5000, SAS-6000, SL-18, SL-19, SL-20, SL-21, SL-21B, SL-23, SL-23B, SL-23BP, SL-290B, SL-350B, SL-550B, SL-550BP, SL-800B, SP-23, SP-23B, SP-290, SP-350, SP-550, SP-550B, SP-800, SV-19, SV-20, SV-21, SV-21B		



1

<b>Part No.</b>	347955	<b>Ref. No.</b>	2310402
<b>description</b>	push switch mounting measurements 30x22mm black 1NO/1NC 250V 12A connection male faston 4.8mm ambient temperature max. 85°C protection IP44		
<b>For models:</b>	SA-3000, SA-5000, SC-1200, SL-800B, SP-800		



1

<b>Part No.</b>	346041 <sup>1</sup>	<b>Ref. No.</b>	2310403 2319215 6800234
<b>description</b>	push switch mounting measurements 30x22mm white 2NO 250V 16A illuminated connection male faston 6.3mm ambient temperature max. 85/55°C protection IP40		
<b>For models:</b>	P-35, P-41, P-50, SA-3000, SA-5000, SAS-5000, SAS-5001, SAS-6000, SAS-6001, SC-1100, SC-1100BP, SC-1200, SC-1200BP, SL-1100B, SL-1100BP, SL-1200B, SL-1200BP, SL-18, SL-19, SL-20, SL-21, SL-21B, SL-23, SL-23B, SL-23BP, SL-290B, SL-350B, SL-550B, SL-550BP, SL-800B, SL-900, SP-23, SP-23B, SP-290, SP-350, SP-550, SP-550B, SP-800, SU-600, SU-750, SV-19, SV-20, SV-204T, SV-21, SV-21B, SV-306T, SV-308T, SV-310S, SV-310T, SV-408T...(Other models you can see in the webshop)		

illuminated

ø22mm



1

<b>Part No.</b>	347107	<b>Ref. No.</b>	2500491 2500635
<b>description</b>	momentary push switch mounting measurements ø22mm black 2NO 250V 16A connection screw ambient temperature max. 85°C protection IP40 mounting ø 22mm		
<b>For models:</b>	BM-11, CA-300, CA-400, ES-150, M-10, M-15, M-25, M-25T, M-26, PE-15, PES-18, PES-20, PI-10, PI-18, PI-20, PI-30, PS-22, PS-32, TRX-21, TRX-22		



1

<b>Part No.</b>	347111	<b>Ref. No.</b>	2009329	
<b>description</b>	momentary push switch mounting ø 22mm red/green 1NO/1NC 250V 10A connection screw ambient temperature max. 85°C protection IP65			
<b>For models:</b>	PP-12, PP-12+, PP-6, PP-6+, PPC-12, PPC-6, PPC-6+			
<b>accessories for</b>	347111			
	<b>Part No.</b>	401709	<b>Ref. No.</b>	—
	protective cover external size 57x32mm internal size 47x22mm matt finish rubber H 27.5mm			

## microswitches

## lever actuated



1

<b>Part No.</b>	347443	<b>Ref. No.</b>	4309250
<b>description</b>	microswitch with lever 250V 16A 1CO connection male faston 6.3mm L 40mm ambient temperature max. 85°C actuating force: 120g		
<b>For models:</b>	E-18, E-19, E-300, LVT-18, LVT-18A, LVT-18H, S-20, S-21, S-23, S-290, S-350, S-550, S-750, S-750A, SB-22, SB-23, SB-290, SB-350, SB-550, SB-750, SB-750A, SV-18, SV-18H		



1

<b>Part No.</b>	345107	<b>Ref. No.</b>	6420114
<b>description</b>	microswitch with lever 250V 16A 1CO connection male faston 6.3mm L 98mm ambient temperature max. 125°C mounting distance 22mm actuating force: 30g lever length 90mm		
<b>For models:</b>	BB-900		

roller-lever actuated

microswitches

1

<b>Part No.</b>	346893	<b>Ref. No.</b>	2509359
<b>description</b>	microswitch with handle with a switch 250V 16A 1CO connection male faston 6.3mm ambient temperature max. 125°C mounting distance 22mm white		
<b>For models:</b>	BM-5		

1

<b>Part No.</b>	345041	<b>Ref. No.</b>	2509124
<b>description</b>	microswitch with handle with a switch 250V 16A 1CO connection male faston 6.3mm ambient temperature max. 85°C black lever length 20.5mm		
<b>For models:</b>	BM-11, BM-22, BM-22C, BM-22H, BM-42		

position switches

OMRON

1

<b>Part No.</b>	347472	<b>Ref. No.</b>	2306003 2309877
<b>description</b>	position switch with mountign material 1NC/1NO 230V L 31mm W 30mm H 64mm protection IP67 AC-15 3A		
<b>For models:</b>	E-1000, LV-1100, LV-1200		

float switches

1

<b>Part No.</b>	347348	<b>Ref. No.</b>	2310475
<b>description</b>	float switch thread M16x2 1NO or 1NC ø 18mm L 88.5mm mounting ø 16mm 240V 1A cable cable length 1000mm		
<b>For models:</b>	SC-1100BP, SC-1200BP, SL-1100B, SL-1100BP, SL-1200B, SL-1200BP, SL-23, SL-23B, SL-23BP, SL-290B, SL-350B, SL-550B, SL-550BP, SL-650C, SL-650C-USA, SL-900, SP-550BP		

rotary switches

GOTTAK

1

<b>Part No.</b>	347356 <sup>1</sup>	<b>Ref. No.</b>	2309182
<b>description</b>	rotary switch 2 0-1 sets of contacts 2 type 4RH 400V 16A shaft ø 6x4.6mm shaft L 18mm shaft oval with knob connection male faston 6.3mm for dishwasher at 250V 16A at 400V 10A		
<b>For models:</b>	E-1000		

<sup>1</sup>incl. knob

1

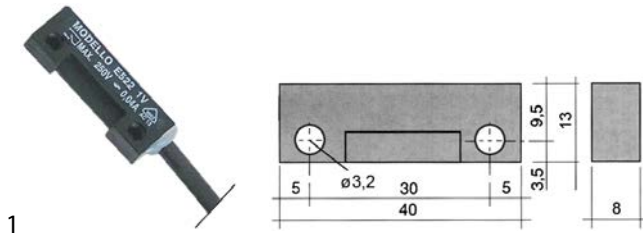
<b>Part No.</b>	347471 <sup>1</sup>	<b>Ref. No.</b>	2309869
<b>description</b>	rotary switch 4 0-1-2-3 sets of contacts 4 type 4RH 400V 16A shaft ø 6x4.6mm shaft L 18mm shaft oval with knob connection male faston 6.3mm		
<b>For models:</b>	LV-1100, LV-1200		

<sup>1</sup>incl. knob



magnetic switches

40x13mm



<b>Part No.</b>	345504	<b>Ref. No.</b>	2050640 2050705 2319223
<b>description</b>	magnetic switch L 40mm W 13mm 1NO 250V 0.04A P max. 10W connection cable length 1000mm		
<b>For models:</b>	CA-300, CA-400, ES-100, ES-200, P-35, P-41, P-50, S-41, S-50, S-60, SA-3000, SA-5000, SAM-3000, SAM-3001, SAS-5000, SAS-6000, SL-18, SL-19, SL-19D, SL-20, SL-20D, SL-20E, SL-21, SL-21B, SL-21BD, SL-21D, SL-22, SL-22B, SL-22BD, SL-22D, SL-23, SL-23B, SL-23BP, SL-24, SL-290B, SL-300, SL-350B, SL-360, SL-550, SL-550B, SL-550BP, SL-560, SL-650C, SL-650C-USA, SL-800B, SL-810, SP-23, SP-23B, SP-290, SP-350...(Other models you can see in the webshop)		
<b>accessories for</b>	345504		
		<b>Part No.</b>	345399 <b>Ref. No.</b> —
	magnet ø 3.3mm L 40mm H 8mm W 13mm hole distance 30mm M3		

<b>Part No.</b>	347109	<b>Ref. No.</b>	2009205 2059013
<b>description</b>	magnetic switch L 40mm W 13mm 1NO 250V 0.04A with magnet connection male faston 6.3mm cable length 440mm		
<b>For models:</b>	CA-300, ES-150, M-10, M-15, M-25, M-25T, M-26, PE-15, PES-18, PES-20, PI-10, PI-18, PI-20, PI-30		

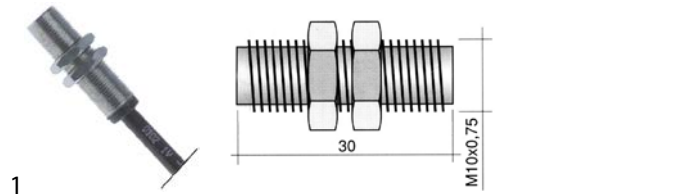
ø 6mm



<b>Part No.</b>	347685 <sup>1</sup>	<b>Ref. No.</b>	2310471 2319434
<b>description</b>	magnetic switch 250V 0.04A P max. 10W probe L 29mm 1NO connection coded plug cable length 650mm		
<b>For models:</b>	CP-250, P-100, S-100, S-120, SC-1100, SC-1200, SL-1100B, SL-1100BP, SL-1200B, SL-1200BP, SL-900, X-100, X-120		

<sup>1</sup>with coded connector

M10x0.75



<b>Part No.</b>	347937	<b>Ref. No.</b>	2502294 2509357
<b>description</b>	magnetic switch thread M10x0.75 1NO 250V 0.04A P max. 10W connection Faston 6.3mm cable length 150mm		
<b>For models:</b>	BM-5, SK-3, SK-5, SK-8, SKE-3, SKE-5, SKE-8		

control equipment

ABB

ø22mm  
switches (complete)



<b>Part No.</b>	347107	<b>Ref. No.</b>	2500491 2500635
<b>description</b>	momentary push switch mounting measurements ø22mm black 2NO 250V 16A connection screw ambient temperature max. 85°C protection IP40 mounting ø 22mm		
<b>For models:</b>	BM-11, CA-300, CA-400, ES-150, M-10, M-15, M-25, M-25T, M-26, PE-15, PES-18, PES-20, PI-10, PI-18, PI-20, PI-30, PS-22, PS-32, TRX-21, TRX-22		

lamps

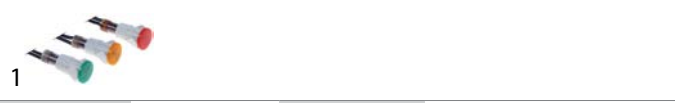
indicator lights

indicator lights (complete)



<b>Part No.</b>	359754	<b>Ref. No.</b>	2309582
<b>description</b>	indicator lamps set ø 9mm 230V red/green connection male faston 2.8mm		
<b>For models:</b>	E-1000, S-290, S-350, S-550, S-750, S-750A, SB-290, SB-350, SB-550, SB-750, SB-750A		

ø13mm  
with plug-in socket



<b>Part No.</b>	357053	<b>Ref. No.</b>	2309960
<b>description</b>	indicator lamps set ø 13mm green/yellow/red 230V connection male faston 6.3mm cable length 250mm plug-in connection		
<b>For models:</b>	LV-1100, LV-1200		



26.5x25.6mm



1

<b>Part No.</b>	357097	<b>Ref. No.</b>	2306539
<b>description</b>	indicator light mounting measurements 27.8x25mm yellow 250V connection male faston 6.3mm		
<b>For models:</b>	LVT-19		

30x22mm



1

<b>Part No.</b>	357011	<b>Ref. No.</b>	2310401 2319316
<b>description</b>	indicator light mounting measurements 30x22mm 230V white connection male faston 6.3mm temp.-resist. 85°C type Marquardt 1667..		
<b>For models:</b>	P-50, SA-3000, SA-5000, SAM-3000, SAS-5000, SAS-6000, SC-1100, SC-1200, SL-20, SL-21, SL-21B, SL-23, SL-23B, SL-23BP, SL-290B, SL-350B, SL-550B, SL-550BP, SL-800B, SP-23, SP-23B, SP-290, SP-350, SP-550, SP-550B, SP-800, SV-20, SV-21, SV-21B		




## oven lamps

### universal oven lamps

mounting diameter 47.8mm



1

<b>Part No.</b>	357187	<b>Ref. No.</b>	6126073	
<b>description</b>	oven lamp mounting ø 47.8mm 230V 15W socket E14 temp.-resist. 300°C connection male faston 6.3mm hard glas			
<b>spare parts for</b>	357187			
	<b>Part No.</b>	359610	<b>Ref. No.</b>	—
	light bulb t.max. 300°C socket E14 15W 230V ø 22mm L 47mm lens L 20mm for oven lamp type Philips			
	<b>Part No.</b>	359725	<b>Ref. No.</b>	—
	oven lamp glass thread ø 44mm H 43mm ø 54mm hard glas temp.-resist. 350°C			

## timers

### programme timers



1

<b>Part No.</b>	360710	<b>Ref. No.</b>	2319219
<b>description</b>	timer CDC 11803F1 engines 1 chambers 3 operation time 120s 230V shaft ømm shaft Lmm manif. no. 11803F1ADE000.0020		
<b>For models:</b>	P-35, P-41		



1

<b>Part No.</b>	360434	<b>Ref. No.</b>	2310454 2319396
<b>description</b>	timer CDC 11804F engines 1 chambers 4 operation time 180s 230V shaft ømm shaft Lmm motor type M48R ATS		
<b>For models:</b>	P-50, SL-23, SL-23B, SL-23BP, SL-290B, SL-350B, SL-550B, SL-550BP, SP-23, SP-23B, SP-290, SP-350, SP-550, SP-550B		



1

<b>Part No.</b>	360727	<b>Ref. No.</b>	2310456
<b>description</b>	timer CDC 11804F1 engines 1 chambers 4 operation time 216s 230V 50/60Hz shaft ømm shaft Lmm manif. no. 11804F1AFE000.0000		
<b>For models:</b>	SL-290B, SL-300, SL-350B, SL-550B, SL-550BP, SP-290, SP-350		




1

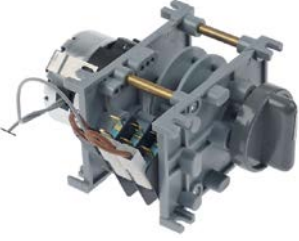
<b>Part No.</b>	360712	<b>Ref. No.</b>	2319257
<b>description</b>	timer CDC 11805F1 engines 1 chambers 5 operation time 120s 230V manif. no. 11805F1ADE000.0010		
<b>For models:</b>	P-41		








			
1			
<b>Part No.</b>	360474 <sup>1</sup>	<b>Ref. No.</b>	2305037 2309206
<b>description</b>	timer CDC 4902F engines 1 chambers 2 operation time 180s 230V 50/60Hz shaft ø 6x4.6mm shaft L 23mm manuf. no. 4902F1 motor type M48R ATS		
<b>For models:</b>	E-1000, S-550, S-750, S-750A, SB-550, SB-750, SB-750A		


<sup>1</sup>incl. knob


			
1			
<b>Part No.</b>	360587 <sup>1</sup>	<b>Ref. No.</b>	2309694
<b>description</b>	timer CDC 4903F engines 1 chambers 3 operation time 240s 230V shaft ø 6x4.6mm shaft L 23mm motor type M48R ATS type 4903F1 voltage AC		
<b>For models:</b>	E-18, E-19, E-300, S-23, S-290, S-350, SB-23, SB-290, SB-350		


<sup>1</sup>incl. knob

			
1			
<b>Part No.</b>	360142	<b>Ref. No.</b>	2309737
<b>description</b>	timer CDC 7803 engines 1 chambers 3 operation time 120s 230V shaft ømm shaft Lmm manuf. no. 7803F1 / 360142 motor type M37RN		
<b>For models:</b>	S-20, S-21, SB-22		
<b>spare parts for</b>	360142		
	<b>Part No.</b>	360119	<b>Ref. No.</b> —
	motor CDC pinion ø 5.4mm teeth 12 230V turn direction right motor ø 37mm motor type M37RN for timer		

			
1			
<b>Part No.</b>	360482	<b>Ref. No.</b>	4309181
<b>description</b>	timer CDC 7803 engines 1 chambers 3 operation time 120s 230V shaft ømm shaft Lmm motor type M37RN voltage AC		
<b>For models:</b>	LVT-18, LVT-18A, LVT-18H		

			
1			
<b>Part No.</b>	360497	<b>Ref. No.</b>	2306348
<b>description</b>	timer CDC 7805DV engines 2 chambers 5 operation time 1min / 2min 230V 50Hz shaft ømm shaft Lmm manuf. no. 7805DV 4309 motor type M37RN/M37LN voltage AC		
<b>For models:</b>	LV-1100, LV-1200		


			
1			
<b>Part No.</b>	360531	<b>Ref. No.</b>	2310458
<b>description</b>	timer CDC 7807DV engines 2 chambers 7 operation time 6s / 3min 230V shaft ømm shaft Lmm motor type M37RN/M37LN voltage AC		
<b>For models:</b>	SC-1200, SL-800B, SP-800		

			
1			
<b>Part No.</b>	360527	<b>Ref. No.</b>	2310451
<b>description</b>	timer FIBER PWE engines 1 chambers 3 operation time 120s 230V shaft ømm shaft Lmm manuf. no. PWE5J03H316 motor type M51B-JOR00CL voltage AC		
<b>For models:</b>	SL-18, SL-19, SL-20E, SV-18, SV-18H, SV-19		




1

<b>Part No.</b>	360472	<b>Ref. No.</b>	2310455
<b>description</b>	timer FIBER PWE engines 1 chambers 3 operation time 216s 230V shaft ømm shaft Lmm manif. no. PWE5J03F411 motor type M51B-J0R00CL		




1

<b>Part No.</b>	360473	<b>Ref. No.</b>	2310456 (old version)
<b>description</b>	timer FIBER PWE engines 1 chambers 4 operation time 216s 230V 50/60Hz shaft ømm shaft Lmm manif. no. PWE5J04F412 motor type M51BJ0R00CL voltage AC		



1

<b>Part No.</b>	360471	<b>Ref. No.</b>	2310452 old version 2319257
<b>description</b>	timer FIBER PWE engines 1 chambers 5 operation time 120s 230V shaft ømm shaft Lmm manif. no. PWE5J05H317 motor type M51B-J0R00CL voltage AC		



1

<b>Part No.</b>	360486	<b>Ref. No.</b>	2309674
<b>description</b>	timer operation time 120s shaft ø 6x4.6mm shaft L 17mm CROUZET 50Hz 220V chambers 3 manif. no. 633/4044		
<b>For models:</b>	LVT-19		

## contactors


ABB

### power contactors




1

<b>Part No.</b>	380117	<b>Ref. No.</b>	2600123 4038058
<b>description</b>	power contactor resistive load 25A 230VAC (AC3/400V) 9A/4kW main contacts 4NO auxiliary contacts connection screw connection type A9-40-00		
<b>For models:</b>	BM-11, E-1000, LV-1100, LV-1200, LV-290, LV-350, LV-550, LV-750, LV-750A, M-25, M-25T, PES-18, PES-20, PI-10, PI-18, PI-20, PI-30, PP-12+, PP-6+, PPC-12, PPC-6+, PS-22, PS-32, S-21, S-23, S-290, S-350, S-550, S-750, S-750A, SA-3000, SA-5000, SAM-3000, SAS-5000, SAS-6000, SB-22, SB-23, SB-290, SB-350, SB-550, SB-750, SB-750A, SC-1200, SC-1200BP, SL-1100B, SL-1100BP, SL-1200B, SL-1200BP, SL-290B, SL-350B...		



1

<b>Part No.</b>	381016	<b>Ref. No.</b>	2304902 2319374
<b>description</b>	power contactor resistive load 27A 230VAC (AC3/400V) 12A/5.5kW main contacts 3NO auxiliary contacts 1NC connection screw connection type A12-30-01		
<b>For models:</b>	E-1000, LV-1100, LV-750, LV-750A, P-41, P-50, S-750, S-750A, SB-750, SB-750A, SC-1100, SL-1100B, SL-1100BP, SL-1200B, SL-1200BP, SL-20, SL-21, SL-21B, SL-290B, SL-350B, SL-550B, SL-550BP, SL-800B, SL-900, SP-800, SU-600, SU-750		



1

<b>Part No.</b>	381453	<b>Ref. No.</b>	2300135 2319447
<b>description</b>	power contactor resistive load 30A 100-250VAC (AC3/400V) 18A/7.5kW main contacts 4 connection screw type AF16-40-00-13		
<b>For models:</b>	S-100, S-120, SL-1100B, SL-1100BP, SL-1200B, SL-1200BP, SL-900, ST-1700, ST-2200, ST-3000, SV-6000S, SV-606CCS, SV-606CCT, SV-606S, SV-606T, SV-806LLS, SV-806LLT, SV-806S, SV-806T, SV-810LLS, SV-810LLT, SV-810S, SV-810T, V-821LLSG, V-821SG, V-821T, X-100, X-120		



## relays

## power relays

## with bracket mounting



1

<b>Part No.</b>	380052	<b>Ref. No.</b>	2310410 2313452 2319284 2319314
<b>description</b>	power relays 230VAC 25A 2NO connection male faston 6.3mm flange support		
<b>For models:</b>	P-41, P-50, S-41, S-50, S-60, SAS-5000, SAS-5001, SAS-6000, SAS-6001, SC-1100, SC-1100BP, SC-1200BP, SL-1100B, SL-1100BP, SL-1200B, SL-1200BP, SL-18, SL-19, SL-20, SL-20D, SL-20E, SL-21, SL-21B, SL-21BD, SL-21D, SL-22, SL-22B, SL-22BD, SL-22D, SL-23, SL-23B, SL-23BP, SL-24, SL-290B, SL-300, SL-350B, SL-360, SL-550, SL-550B, SL-550BP, SL-560, SL-650C, SL-650C-USA, SL-800B, SL-810, SL-900, SP-23, SP-23B, SP-290, SP-350...(Other models you can see in the webshop)		



1

<b>Part No.</b>	380139	<b>Ref. No.</b>	4301854
<b>description</b>	power relays FINDER 230VAC 16A 2CO connection F6.3 bracket mounting dimensions 68x38.2x35.8mm manuf. no. 62.82.8.230.0000		
<b>For models:</b>	E-300, S-20, SA-3000, SA-5000, SAM-3001, SC-1100, SC-1200, SL-23, SL-23B, SL-23BP, SL-290B, SL-300, SL-350B, SL-550B, SL-550BP, SL-800B, SP-290, SP-350, SP-550, SP-550B, SP-550BP, SP-800, ST-1400, ST-1700, ST-2200, ST-2800, ST-3000, ST-3500, V-401T, V-420T		



1

<b>Part No.</b>	381198	<b>Ref. No.</b>	2310415
<b>description</b>	relay SCHRACK 230VAC 16A 3CO connection F6.3 manuf. no. RM705730		
<b>For models:</b>	SL-290B, SL-350B, SL-550B, SL-550BP, SP-550BP		

## with male contacts

## female contact 2.0mm



1

<b>Part No.</b>	380936	<b>Ref. No.</b>	2050698
<b>description</b>	power relays 230VAC 10A 2CO plug-in connection with socket 250V connection 2mm		
<b>For models:</b>	CA-300, CA-400, LV-1100, LV-1200, S-23, S-290, S-350, S-550, S-750, S-750A, SB-22, SB-23, SB-290, SB-350, SB-550, SB-750, SB-750A		

## probes

## producer-specific probes

## probes



1

<b>Part No.</b>	378352	<b>Ref. No.</b>	2310459 2311663
<b>description</b>	temperature probe NTC 10kOhm cable silicone probe -40 up to +110°C cable -50 up to +180°C connection 2-wire thread M10 probe ø6x45mm cable length 1.1m		
<b>For models:</b>	P-100, S-50, S-60, SC-1100BP, SC-1200BP, SL-1100B, SL-1100BP, SL-1200B, SL-1200BP, SL-20D, SL-21BD, SL-21D, SL-22, SL-22B, SL-22BD, SL-22D, SL-24, SL-360, SL-550, SL-560, SL-650C, SL-650C-USA, SL-810, SL-900, ST, ST-1400, ST-1700, ST-2200, ST-2800, ST-3000, ST-3500, SU-600, SU-750, X-50, X-60, X-80		


## electronics

## PCBs



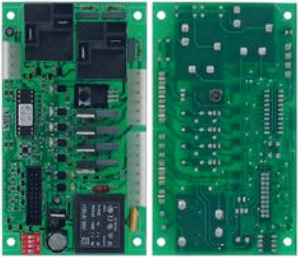
1

<b>Part No.</b>	401850	<b>Ref. No.</b>	2052738
<b>description</b>	PCB cutter SK3 230V		
<b>For models:</b>	SK-3, SKE-3		

1

<b>Part No.</b>	403309	<b>Ref. No.</b>	2319053
<b>description</b>	PCB dishwasher S-100/S-120/SC1100 L 140mm W 100mm Qty 1 pcs		
<b>For models:</b>	S-100, S-120, S-60, SC-1100BP, SC-1200BP, SL-1100B, SL-1100BP, SL-1200B, SL-1200BP, SL-650C, SL-650C-USA, SL-900, SU-600, SU-750, X-100, X-120, X-60		




1

<b>Part No.</b>	403884	<b>Ref. No.</b>	2319233
<b>description</b>	PCB L 140mm W 80mm		
<b>For models:</b>	P-100, X-35, X-40, X-41, X-45		

## keypads

### membrane keypads




1

<b>Part No.</b>	401851	<b>Ref. No.</b>	2149388 2504482
<b>description</b>	membrane keypad dough mixers BC 10 buttons 5 L 130mm W 123mm		
<b>For models:</b>	BE-10, BE-10C, BE-20, BE-20C, BE-20I, BE-30, BE-30C, BE-30I, BE-40, BE-40C		

## solenoid valves

### solenoid valves (water)

TP



1



















<b>Part No.</b>	370015	<b>Ref. No.</b>	2304941 2309176 2310771
<b>description</b>	solenoid valve single angled 230VAC inlet 3/4" outlet 11.5mm DN10 TP		
<b>For models:</b>	E-1000, LV-290, LV-350, LV-550, LV-750, LV-750A, P-100, P-50, S-50, S-60, SC-1100, SC-1100BP, SC-1200, SC-1200BP, SL-1100B, SL-1100BP, SL-1200B, SL-1200BP, SL-23, SL-23B, SL-23BP, SL-290B, SL-300, SL-350B, SL-360, SL-550, SL-550B, SL-550BP, SL-560, SL-650C, SL-650C-USA, SL-800B, SL-900, SP-550BP, SU-600, SU-750, X-45, X-50, X-60		
<b>accessories for</b>	370015		
	<b>Part No.</b>	371220	<b>Ref. No.</b> —
	reducer TP flow rate 3l/min red tolerance ±15%		
	<b>Part No.</b>	371221	<b>Ref. No.</b> —
	reducer TP flow rate 5.5l/min yellow tolerance ±15%		
	<b>Part No.</b>	371222	<b>Ref. No.</b> —
	reducer TP flow rate 6l/min grey tolerance ±15%		
	<b>Part No.</b>	371223	<b>Ref. No.</b> —
	reducer TP flow rate 10l/min white tolerance ±15%		
	<b>Part No.</b>	371224	<b>Ref. No.</b> —
	reducer TP flow rate 12l/min bronze tolerance ±15%		
	<b>Part No.</b>	371225	<b>Ref. No.</b> —
	reducer TP flow rate 16l/min light brown tolerance ±15%		
	<b>Part No.</b>	371226	<b>Ref. No.</b> —
	reducer TP flow rate 20l/min red tolerance ±15%		
	<b>Part No.</b>	371230	<b>Ref. No.</b> —
	reducer TP flow rate 0.25l/min red tolerance ±25%		
	<b>Part No.</b>	371231	<b>Ref. No.</b> —
	reducer TP flow rate 0.35l/min violet tolerance ±25%		
	<b>Part No.</b>	371232	<b>Ref. No.</b> —
	reducer TP flow rate 0.5l/min orange tolerance ±25%		
	<b>Part No.</b>	371233	<b>Ref. No.</b> —
	reducer TP flow rate 0.8l/min white tolerance ±25%		
	<b>Part No.</b>	371234	<b>Ref. No.</b> —
	reducer TP flow rate 1l/min light blue tolerance ±25%		
	<b>Part No.</b>	371235	<b>Ref. No.</b> —
	reducer TP flow rate 1.2l/min brown tolerance ±25%		

Table continues overleaf



accessories for		370015	
	Part No.	371236	Ref. No. —
	reducer TP flow rate 1.5l/min light brown tolerance ±25%		
	Part No.	371237	Ref. No. —
	reducer TP flow rate 2.5l/min yellow tolerance ±25%		
	Part No.	371238	Ref. No. —
	reducer TP flow rate 3.4l/min dark green tolerance ±25%		
	Part No.	371239	Ref. No. —
	reducer TP flow rate 5l/min black tolerance ±25%		
	Part No.	371240	Ref. No. —
	reducer TP flow rate 8l/min blue tolerance ±20%		

## solenoid valves with reducers



<b>Part No.</b>	370628	<b>Ref. No.</b>	2309744 2319241 8100265
<b>description</b>	solenoid valve double straight 230VAC inlet 3/4" input 16l/min DN10 TP plastic outlet 11.5mm		
<b>For models:</b>	LVT-18, LVT-18A, LVT-18H, LVT-19, S-21, S-23, S-41, S-50, SB-22, SB-23, SL-19D, SL-20, SL-20D, SL-21, SL-21B, SL-21BD, SL-21D, SL-22, SL-22B, SL-22BD, SL-22D, SL-23, SL-23B, SL-23BP, SL-360, SL-550, SL-560, SP-23, SP-23B, SV-18, SV-18H, SV-20, SV-21, SV-21B, X-35, X-40, X-41, X-50		



<b>Part No.</b>	370637	<b>Ref. No.</b>	2319201 4300580 4309157
<b>description</b>	solenoid valve single straight 230VAC inlet 3/4" outlet 11.5mm input 16l/min TP 11510P C plastic flow regulating valve inlet light brown 8VA		
<b>For models:</b>	E-18, E-19, E-300, LV-1100, LV-1200, M-25, M-25T, M-26, P-35, P-41, PI-30, S-20, S-290, S-350, S-550, S-750, S-750A, SB-290, SB-350, SB-550, SB-750, SB-750A, SL-18, SL-19, SL-20, SL-20E, SL-21, SL-21B, SL-24, SL-810, SP-290, SP-350, SP-550, SP-550B, SP-800, SV-18, SV-18H, SV-19, SV-20, SV-21, SV-21B, X-80		

## pressure switches

## for warewashing

ø 58mm with male faston 6.3mm

with connection horizontal



<b>Part No.</b>	541981	<b>Ref. No.</b>	2302816 2319354
<b>description</b>	pressure control pressure range 130/40mbar connection 6mm ø 58mm pressure connection horizontal warewashing pressure connection ø 5.5mm		
<b>For models:</b>	P-100, S-100, S-120, S-50, S-60, SC-1100, SC-1200, SL-1100B, SL-1100BP, SL-1200B, SL-1200BP, SL-300, SL-360, SL-550, SL-560, SL-650C-USA, SL-810, SL-900, ST, ST-1400, ST-1700, ST-2200, ST-2800, ST-3000, ST-3500, SU-600, SU-750, X-100, X-120, X-50, X-60		



<b>Part No.</b>	541302	<b>Ref. No.</b>	2302815 2319212
<b>description</b>	pressure control pressure range 40/15mbar connection 6mm ø 58mm pressure connection horizontal warewashing		
<b>For models:</b>	E-1000, E-18, E-19, E-300, LV-1100, LV-1200, LV-290, LV-350, LV-550, LV-750, LV-750A, LVT-18, LVT-18A, LVT-18H, P-35, P-41, P-50, S-20, S-21, S-23, S-290, S-350, S-41, S-50, S-550, S-60, S-750, S-750A, SB-22, SB-23, SB-290, SB-350, SB-550, SB-750, SB-750A, SL-18, SL-19, SL-19D, SL-20, SL-20D, SL-20E, SL-21, SL-21B, SL-21BD, SL-21D, SL-22, SL-22B, SL-22BD, SL-22D, SL-23...(Other models you can see in the webshop)		

## motors

## motors

## for hand blenders

## motors



<b>Part No.</b>	499329	<b>Ref. No.</b>	4039088
<b>description</b>	motor for hand blender 230V 50Hz shaft ø 6mm L 105mm W 70mm TR250 / TR-BM-250 SAMMIC		
<b>For models:</b>	TR-250		



pumps






wash and rinse pumps

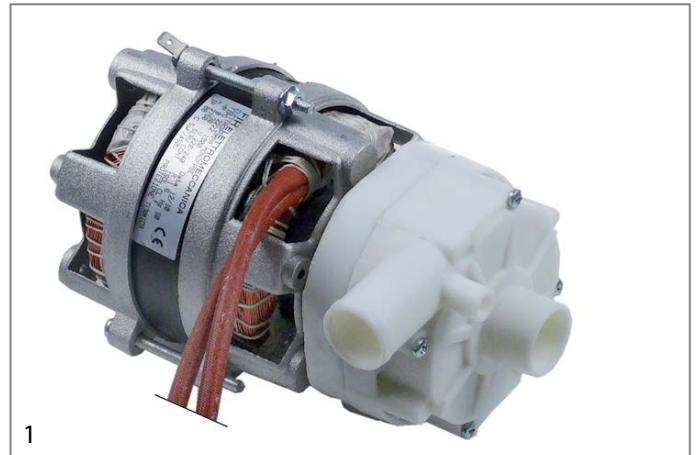
FIR

pumps








1

<b>Part No.</b>	499079	<b>Ref. No.</b>	2319221 4301828
<b>description</b>	pump inlet ø 28mm outlet ø 26mm type 2211.1610 220-240V 50Hz 1 phase 0.07kW 0.1HP rotation direction left capacitor 5µF FIR		
<b>For models:</b>	E-18, E-19, LVT-18, LVT-18A, LVT-18H, P-35, SL-18, SL-19, SL-19D, SL-650C, SV-18, SV-18H, SV-19, X-35		
<b>spare parts for</b>	499079		
	<b>Part No.</b>	365017	<b>Ref. No.</b> —
	operating capacitor capacity 5µF 450V tolerance 5% 50/60Hz ambient temperature max. -25 to +85°C ø 28mm L 54mm M8 plastic connection male faston 6.3mm 16.10.08 protection		
	<b>Part No.</b>	510384	<b>Ref. No.</b> —
	pump cover inlet ø 28mm outlet ø 26mm ø 100mm ID ø 76mm		
	<b>Part No.</b>	510695	<b>Ref. No.</b> —
	mechanical shaft seal height counter ring 5.5mm ID ø 11mm		
	<b>Part No.</b>	521203	<b>Ref. No.</b> —
	impellor ø 72mm H 18mm thread M7 shaft ø 11mm shaft length 32mm blades 3		
	<b>Part No.</b>	521703	<b>Ref. No.</b> —
	pump cover gasket EPDM thickness 2.5mm ID ø 75mm Qty 1 pcs		








1

<b>Part No.</b>	499090	<b>Ref. No.</b>	2305483 2319255
<b>description</b>	pump inlet ø 28mm outlet ø 26mm type 2222.1900 230V 50Hz 1 phase 0.22kW 0.3HP L 191mm rotation direction left capacitor 5µF FIR		
<b>For models:</b>	LVT-18H, P-41, SL-20, SL-20D, SL-20E, SL-21, SL-21B, SL-21BD, SL-21D, SL-22, SL-22B, SL-22BD, SL-22D, SV-18, SV-18H, X-40		
<b>spare parts for</b>	499090		
	<b>Part No.</b>	365017	<b>Ref. No.</b> —
	operating capacitor capacity 5µF 450V tolerance 5% 50/60Hz ambient temperature max. -25 to +85°C ø 28mm L 54mm M8 plastic connection male faston 6.3mm 16.10.08 protection		
	<b>Part No.</b>	510384	<b>Ref. No.</b> —
	pump cover inlet ø 28mm outlet ø 26mm ø 100mm ID ø 76mm		
	<b>Part No.</b>	510532	<b>Ref. No.</b> —
	impellor ø 72mm H 22mm shaft ø 11mm shaft length 32mm blades 3		
	<b>Part No.</b>	510695	<b>Ref. No.</b> —
	mechanical shaft seal height counter ring 5.5mm ID ø 11mm		
	<b>Part No.</b>	521703	<b>Ref. No.</b> —
	pump cover gasket EPDM thickness 2.5mm ID ø 75mm Qty 1 pcs		









1

<b>Part No.</b>	499171	<b>Ref. No.</b>	2307070 2309686 2319271
<b>description</b>	pump inlet ø 30mm outlet ø 30mm type 2240.1411 230V 50Hz 1 phase 0.24kW 0.33HP L 183mm rotation direction right capacitor 10µF FIR		
<b>For models:</b>	S-21, S-23, S-41, SB-22, SB-23, SL-20, SL-20D, SL-21, SL-21B, SL-21BD, SL-21D, SL-22, SL-22B, SL-22BD, SL-22D, SL-23, SL-23B, SL-23BP, SL-24, SP-23, SP-23B, SV-20, SV-21, SV-21B, X-41		
<b>spare parts for</b>	499171		
	<b>Part No.</b>	365015	<b>Ref. No.</b> —
	operating capacitor capacity 10µF 400V tolerance 5%Hz ambient temperature max. -25 to +85°C ø 35.5mm L 59mm M8 plastic connection male faston 6.3mm protection		
	<b>Part No.</b>	510607	<b>Ref. No.</b> —
	impellor ø 85mm H 29mm shaft intake ø 9x8mm rotation direction right blades 6		
	<b>Part No.</b>	510695	<b>Ref. No.</b> —
	mechanical shaft seal height counter ring 5.5mm ID ø 11mm		
	<b>Part No.</b>	521571	<b>Ref. No.</b> —
	pump cover FIR inlet ø 30mm outlet ø 30mm turn direction right ø 128mm ID ø 100mm inner height 21mm		
	<b>Part No.</b>	521701	<b>Ref. No.</b> —
	pump cover gasket		



1

<b>Part No.</b>	499188	<b>Ref. No.</b>	2304290 2319385
<b>description</b>	pump inlet ø 45mm outlet ø 40mm type 2256V1425 230V 50Hz 1 phase 0.75kW 1HP L 235mm rotation direction right capacitor 16µF FIR		
<b>For models:</b>	SL-650C, SL-800B, SL-810, SP-800, X-80		
<b>spare parts for</b>	499188		
	<b>Part No.</b>	365021	<b>Ref. No.</b> —
	operating capacitor capacity 16µF 425V tolerance 5% 50/60Hz ambient temperature max. -25 to +85°C ø 35mm L 73mm single M8 plastic connection male faston 6.3mm 416.10.99 protection		
	<b>Part No.</b>	499188	<b>Ref. No.</b> 2304290 2319385
	pump inlet ø 45mm outlet ø 40mm type 2256V1425 230V 50Hz 1 phase 0.75kW 1HP L 235mm rotation direction right capacitor 16µF FIR		
	<b>Part No.</b>	510529	<b>Ref. No.</b> —
	impellor ø 103mm H 30mm shaft intake ø 9/8mm rotation direction right blades 6		
	<b>Part No.</b>	510692	<b>Ref. No.</b> —
	mechanical shaft seal for shaft ø 11mm slide ring ext. ø 24mm slide ring H 13mm counter ring mounting ø 26mm height counter ring 8mm counter ring int. ø 14mm		
	<b>Part No.</b>	521539	<b>Ref. No.</b> —
	pump cover FIR inlet ø 45mm outlet ø 40mm auxiliary pressure connection 10mm supporting pressure open turn direction right ø 160mm ID ø 125mm inner height 25mm		
	<b>Part No.</b>	521702	<b>Ref. No.</b> —
	pump cover gasket thickness 3.5x4.5mm Qty 1 pcs		








1

<b>Part No.</b>	499189	<b>Ref. No.</b>	2305057 2319347
<b>description</b>	pump inlet ø 45mm outlet ø 40mm type 3911.1428 230V 50Hz 1 phase 0.55kW 0.75HP L 211mm rotation direction right capacitor 12.5µF FIR		
<b>For models:</b>	LV-550, LV-750, S-60, SL-290B, SL-350B, SL-360, SL-550, SL-550B, SL-550BP, SL-560, SP-290, SP-350, SP-550, SP-550B, X-60		
<b>spare parts for</b>	499189		
	<b>Part No.</b>	365014	<b>Ref. No.</b> —
	operating capacitor capacity 12.5µF 450V tolerance 5%Hz ambient temperature max. -25 to +85°C ø 35mm L 70mm M8 plastic connection male faston 6.3mm 45S.C3DS.12.5 protection		
	<b>Part No.</b>	510508	<b>Ref. No.</b> —
	pump cover FIR inlet ø 45mm outlet ø 40mm pump type PU 0.5/3911 turn direction right ø 160mm ID ø 125mm inner height 25mm		
	<b>Part No.</b>	510610	<b>Ref. No.</b> 2309577
	impellor ø 95.5mm H 23mm shaft intake ø 9/8mm rotation direction right seat ø 16mm blades 6		
	<b>Part No.</b>	510692	<b>Ref. No.</b> —
	mechanical shaft seal for shaft ø 11mm slide ring ext. ø 24mm slide ring H 13mm counter ring mounting ø 26mm height counter ring 8mm counter ring int. ø 14mm		
	<b>Part No.</b>	521702	<b>Ref. No.</b> —
	pump cover gasket thickness 3.5x4.5mm Qty 1 pcs		








1

<b>Part No.</b>	499043	<b>Ref. No.</b>	2305895 2309532 2319334
<b>description</b>	pump inlet ø 45mm outlet ø 40mm type 3983.1409 230V 50Hz 1 phase 0.37kW 0.51HP L 205mm rotation direction right capacitor 12.5µF FIR incl. capacitor		
<b>For models:</b>	E-300, P-50, S-290, S-350, S-50, SB-290, SB-350, SL-290B, SL-300, SL-350B, SL-360, SL-550, SL-550B, SL-550BP, SL-560, SP-290, SP-350, SP-550, SP-550B, X-45, X-50		
<b>spare parts for</b>	499043		
	<b>Part No.</b>	365014	<b>Ref. No.</b> —
	operating capacitor capacity 12.5µF 450V tolerance 5%Hz ambient temperature max. -25 to +85°C ø 35mm L 70mm M8 plastic connection male faston 6.3mm 45S.C3DS.12.5 protection		
	<b>Part No.</b>	510607	<b>Ref. No.</b> —
	impellor ø 85mm H 29mm shaft intake ø 9x8mm rotation direction right blades 6		
	<b>Part No.</b>	510692	<b>Ref. No.</b> —
	mechanical shaft seal for shaft ø 11mm slide ring ext. ø 24mm slide ring H 13mm counter ring mounting ø 26mm height counter ring 8mm counter ring int. ø 14mm		
	<b>Part No.</b>	521539	<b>Ref. No.</b> —
	pump cover FIR inlet ø 45mm outlet ø 40mm auxiliary pressure connection 10mm supporting pressure open turn direction right ø 160mm ID ø 125mm inner height 25mm		
	<b>Part No.</b>	521702	<b>Ref. No.</b> —
	pump cover gasket thickness 3.5x4.5mm Qty 1 pcs		








<b>Part No.</b>	499091	<b>Ref. No.</b>	2307820 2309840 2319462
<b>description</b>	pump inlet $\varnothing$ 60mm outlet $\varnothing$ 47mm type 2233S1500 230V 50Hz 1 phase 0.89kW 1.22HP L 251mm rotation direction right capacitor 16 $\mu$ F FIR		
<b>For models:</b>	LV-1100, S-100, S-120, SC-1100, SL-1100B, SL-1100BP, SL-1200B, SL-1200BP, SL-900, X-100, X-120		
<b>spare parts for</b>	499091		
	<b>Part No.</b>	365021	<b>Ref. No.</b> —
	operating capacitor capacity 16 $\mu$ F 425V tolerance 5% 50/60Hz ambient temperature max. -25 to +85°C $\varnothing$ 35mm L 73mm single M8 plastic connection male faston 6.3mm 416.10.99 protection		
	<b>Part No.</b>	510552	<b>Ref. No.</b> —
	pump cover gasket pump type 1292-2/3942/3981/3911/3983		
	<b>Part No.</b>	510693	<b>Ref. No.</b> —
	mechanical shaft seal for shaft $\varnothing$ 12mm slide ring ext. $\varnothing$ 24mm slide ring H 15.5mm slide ring int. $\varnothing$ 11mm counter ring mounting $\varnothing$ 24mm height counter ring 8mm counter ring int. $\varnothing$ 13.5mm		
	<b>Part No.</b>	521067	<b>Ref. No.</b> 2309841
	service kit for pump type 2233S1500 impellor, pump cover gasket, mechanical shaft seal		
	<b>Part No.</b>	521512	<b>Ref. No.</b> —
	pump cover FIR inlet $\varnothing$ 60mm outlet $\varnothing$ 50mm		



<b>Part No.</b>	499187	<b>Ref. No.</b>	2310641 2319464
<b>description</b>	pump inlet $\varnothing$ 63mm outlet $\varnothing$ 47mm type 1226.2530 230/400V 50Hz 3 phase 1.5kW 2HP L 335mm rotation direction right FIR		
<b>For models:</b>	S-100, S-120, SC-1200, SL-1100B, SL-1100BP, SL-1200B, SL-1200BP, SL-900, X-100, X-120		

### booster pumps I

	<b>Part No.</b>	500359	<b>Ref. No.</b>	2304293 2319400 2319442
<b>description</b>	pump inlet $\varnothing$ 12 outlet $\varnothing$ 12 type PPL46DX 230V 50Hz 0.33kW capacitor 10 $\mu$ F LGB			
<b>For models:</b>	SC-1100BP, SC-1200BP, SL-1100B, SL-1100BP, SL-1200B, SL-1200BP, SL-23, SL-23B, SL-23BP, SL-290B, SL-350B, SL-550B, SL-550BP, SL-900, SP-550BP, SU-600, SU-750			
<b>spare parts for</b>	500359			
	<b>Part No.</b>	698663	<b>Ref. No.</b>	—
	impellor $\varnothing$ 60mm H 12mm with flute shaft intake $\varnothing$ 12mm W 60mm suitable for LGB			
<b>accessories for</b>	500359			
	<b>Part No.</b>	365015	<b>Ref. No.</b>	—
	operating capacitor capacity 10 $\mu$ F 400V tolerance 5%Hz ambient temperature max. -25 to +85°C $\varnothing$ 35.5mm L 59mm M8 plastic connection male faston 6.3mm protection			




drain pumps

GRE




1

<b>Part No.</b>	500961	<b>Ref. No.</b>	4309102 old version
<b>description</b>	drain pump inlet ø 30mm outlet ø 23mm 100W 230V 50Hz GRE		
<b>accessories for</b>	500961		
	<b>Part No.</b>	524719	<b>Ref. No.</b> 2310294 (old Version)
	formed hose hose ext. ø 40mm hose int. ø 30mm L 65mm warewashing black Qty 1		

HANNING

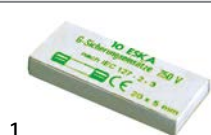


1

<b>Part No.</b>	499044	<b>Ref. No.</b>	4309102
<b>description</b>	drain pump 65W 230V inlet ø 22mm outlet ø 24mm 50Hz type BE20B2-089 HANNING with accessories		
<b>For models:</b>	P-41, P-50, S-23, S-290, S-350, S-41, S-50, S-550, S-60, S-750, S-750A, SB-22, SB-23, SB-290, SB-350, SB-550, SB-750, SB-750A, SL-20, SL-20D, SL-21, SL-21B, SL-21BD, SL-21D, SL-22, SL-22B, SL-22BD, SL-22D, SL-23, SL-23B, SL-23BP, SL-290B, SL-350B, SL-550B, SL-550BP, SL-650C, SL-800B, SL-810, SP-23, SP-23B, SP-290, SP-350, SP-550, SP-550B, SP-800, SV-20, SV-21, SV-21B, X-40, X-41...(Other models you can see in the webshop)		
<b>spare parts for</b>	499044		
	<b>Part No.</b>	530426	<b>Ref. No.</b> 2310294
	formed hose L 66mm		

fuses

fine fuses



1

<b>Part No.</b>	358600	<b>Ref. No.</b>	2140423 2149131
<b>description</b>	fine fuse size ø5x20mm 1A slow-acting rated 250V Qty 10 pcs		
<b>For models:</b>	ST-1400, ST-1700, ST-2200, ST-2800, ST-3000, ST-3500, SV-604CCS, SV-604CCT, SV-604S, SV-604T, SV-606CCS, SV-606CCT, SV-606S, SV-606T, SV-806LLS, SV-806LLT, SV-806S, SV-806T, SV-810LLS, SV-810LLT, SV-810S, SV-810T, V-401SGA, V-401T, V-402SG, V-402T, V-410SG, V-410T, V-420SA, V-420SGA, V-420T, V-421SG, V-421T, V-425SGA, V-426SG, V-426T, V-640SA, V-640SGA, V-640T, V-641SG, V-641SGA, V-641T, V-820LLSGA, V-820SGA, V-820T, V-821LLSG, V-821SG, V-821T		

fine fuse holders



1

<b>Part No.</b>	358016	<b>Ref. No.</b>	2140280 2319232
<b>description</b>	fuse holder suitable fuse ø5x20mm ø 14mm 4A rated 250V L 52mm W 15mm connection F6.3		
<b>For models:</b>	P-100, S-100, S-120, S-41, S-50, S-60, SAM-3001, SAS-5001, SAS-6001, SC-1100BP, SC-1200BP, SL-1100B, SL-1100BP, SL-1200B, SL-1200BP, SL-19D, SL-20, SL-20D, SL-21, SL-21B, SL-21BD, SL-21D, SL-22, SL-22B, SL-22BD, SL-22D, SL-24, SL-290B, SL-350B, SL-360, SL-550, SL-550B, SL-550BP, SL-560, SL-650C, SL-810, SL-900, X-100, X-120, X-35, X-40, X-41, X-45, X-50, X-60, X-80		

equipment-specific units

for meat mincers

blades

ENTERPRISE



1

<b>Part No.</b>	696023	<b>Ref. No.</b>	2051015 6056090
<b>description</b>	knife type ENTERPRISE size 22 ø 73mm internal size 13x13mm stainless steel		
<b>For models:</b>	PC-22, PC-32, PS-22		



1

<b>Part No.</b>	696033	<b>Ref. No.</b>	2052015
<b>description</b>	knife type ENTERPRISE size 32 ø 90mm internal size 15x15mm stainless steel		
<b>For models:</b>	PC-22, PC-32, PS-32		



## for vegetable slicers

## ejector discs



1

<b>Part No.</b>	699131	<b>Ref. No.</b>	2050621
<b>description</b>	ejector disc H 15mm $\phi$ 190mm seat $\phi$ 23/28mm		
<b>For models:</b>	C-12, C-6, CA-300, CA-400, M-12, M-6		

## cutting discs

## blades smooth

## blades



1

<b>Part No.</b>	699186	<b>Ref. No.</b>	2019072
<b>description</b>	spare blades L 88mm W 30mm 75 suitable for SAMMIC for M-6/M-12/C-6/C-12		
<b>For models:</b>	C-12, C-6, CA-300, CA-400, M-12, M-6		

## for bar blender

## blenders

## jar components

## gaskets



1

<b>Part No.</b>	651007	<b>Ref. No.</b>	6420111
<b>description</b>	gasket ED $\phi$ 75mm ID $\phi$ 55mm thickness 3mm Qty 1 pcs		
<b>For models:</b>	TB-1000		

## actuators

## group 3



1

<b>Part No.</b>	699277	<b>Ref. No.</b>	6420500
<b>description</b>	mixer coupling $\phi$ 44.2mm H 22.4mm shaft diameter 6x6mm		

## for hand blenders

## spare parts and accessories



1

<b>Part No.</b>	651044	<b>Ref. No.</b>	4039096
<b>description</b>	coupling D1 $\phi$ 25mm L 30mm teeth 8 int. $\phi$ 1 17mm		

## housings



1

<b>Part No.</b>	699170	<b>Ref. No.</b>	4039009
<b>description</b>	housing for gearbox black		
<b>For models:</b>	BM-350, BM-550, BM-750, TR-350, TR-550, TR-750		

## couplings



1

<b>Part No.</b>	699276	<b>Ref. No.</b>	4039005
<b>description</b>	coupling set for hand blender shaft diameter 8mm D1 $\phi$ 17.5mm D2 $\phi$ 23mm int. $\phi$ 1 8mm int. $\phi$ 2 18.5mm L1 16.6mm L2 23mm		
<b>For models:</b>	TR-330		



1

<b>Part No.</b>	699275	<b>Ref. No.</b>	4039060
<b>description</b>	coupling set for hand blender shaft diameter 8mm D1 $\phi$ 17.5mm D2 $\phi$ 24mm int. $\phi$ 1 8mm int. $\phi$ 2 17mm L1 11.5mm L2 30mm		
<b>For models:</b>	BM-330, TR-BM-330		



for citrus juicers

miscellaneous



1	<b>Part No.</b>	694416	<b>Ref. No.</b>	6410400
	<b>description</b>	coupling for juicer ø 93mm H 34mm black seat ø 10mm		
	<b>For models:</b>	LI-240		

for dishwashers

drain and intake components

SAMMIC

drain /intake bodies



1	<b>Part No.</b>	517351	<b>Ref. No.</b>	2309134
	<b>description</b>	connection angle set thread 1½" hose ø 33mm		
	<b>For models:</b>	E-1000, E-300, LV-1100, LV-1200		



1	<b>Part No.</b>	517350	<b>Ref. No.</b>	2309116
	<b>description</b>	drain fitting complete thread 1½" ED ø 66mm ID ø 39mm		
	<b>For models:</b>	E-1000, E-300, LV-1100, LV-1200		



1	<b>Part No.</b>	524708	<b>Ref. No.</b>	2310692
	<b>description</b>	intake body ED ø 86mm hose ø 30mm		
	<b>For models:</b>	P-100, P-35, S-100, S-120, SC-1100, SC-1200, SL-1100B, SL-1100BP, SL-1200B, SL-1200BP, SL-18, SL-19, SL-19D, SL-20E, SL-900, SP-23, SP-23B, SP-290, SP-350, SP-550, SP-550B, SP-800, SU-600, SU-750, SV-20, SV-21, SV-21B, X-100, X-120, X-35		



1	<b>Part No.</b>	524706	<b>Ref. No.</b>	2313203 2319265
	<b>description</b>	intake body H 120mm outlet ø 44.5 outlet 2 ø 30		
	<b>For models:</b>	P-41, P-50, S-41, S-50, S-60, SL-20, SL-20D, SL-21, SL-21B, SL-21BD, SL-21D, SL-22, SL-22B, SL-22BD, SL-22D, SL-23, SL-23B, SL-23BP, SL-24, SL-290B, SL-300, SL-350B, SL-360, SL-550, SL-550B, SL-550BP, SL-560, SL-650C, SL-650C-USA, SL-800B, SL-810, X-40, X-41, X-45, X-50, X-60, X-80		



1	<b>Part No.</b>	524731	<b>Ref. No.</b>	2313202 2319264
	<b>description</b>	opposite support ø 124mm for drain assembly		
	<b>For models:</b>	P-41, P-50, S-41, S-50, S-60, SL-20, SL-20D, SL-21, SL-21B, SL-21BD, SL-21D, SL-22, SL-22B, SL-22BD, SL-22D, SL-23, SL-23B, SL-23BP, SL-24, SL-290B, SL-300, SL-350B, SL-360, SL-550, SL-550B, SL-550BP, SL-560, SL-650C, SL-650C-USA, SL-800B, SL-810, X-40, X-41, X-45, X-50, X-60, X-80		



1	<b>Part No.</b>	518188	<b>Ref. No.</b>	2310753
	<b>description</b>	O-ring set EPDM thickness 3/4mm ID ø 46/74mm		
	<b>For models:</b>	SC-1100, SC-1200, SU-600, SU-750		


filters





1	<b>Part No.</b>	517345	<b>Ref. No.</b>	2310241 2319263
	<b>description</b>	filter for drain assembly ø 59mm H 50mm		
	<b>For models:</b>	P-100, P-41, P-50, S-100, S-120, S-41, S-50, S-60, SC-1100, SC-1200, SL-1100B, SL-1100BP, SL-1200B, SL-1200BP, SL-20, SL-20D, SL-21, SL-21B, SL-21BD, SL-21D, SL-22, SL-22B, SL-22BD, SL-22D, SL-23, SL-23B, SL-23BP, SL-290B, SL-350B, SL-360, SL-550, SL-550B, SL-550BP, SL-560, SL-650C, SL-650C-USA, SL-800B, SL-810, SL-900, SP-23, SP-23B, SP-290, SP-350, SP-550, SP-550B, SU-600, SU-750, SV-20, SV-21, SV-21B... (Other models you can see in the webshop)		


mechanical components, equipment accessories





			
1			
<b>Part No.</b>	519528	<b>Ref. No.</b>	2310636
<b>description</b>	intake filter for dishwasher H 100mm L 160mm W 105mm		
<b>For models:</b>	SC-1100, SC-1200		

			
1			
<b>Part No.</b>	524745	<b>Ref. No.</b>	2302035
<b>description</b>	intake filter for dishwasher H 49mm L 100mm W 100mm		
<b>For models:</b>	E-19, LVT-19, S-20, S-21, ST-1400, ST-1700, ST-2200, ST-2800, ST-3000, ST-3500, SV-19		


			
1			
<b>Part No.</b>	524729	<b>Ref. No.</b>	2313201 2319259
<b>description</b>	intake filter ø 101mm H 130mm		
<b>For models:</b>	P-41, P-50, S-41, S-50, S-60, SL-20, SL-20D, SL-21, SL-21B, SL-21BD, SL-21D, SL-22, SL-22B, SL-22BD, SL-22D, SL-23, SL-23B, SL-23BP, SL-24, SL-290B, SL-300, SL-350B, SL-360, SL-550, SL-550B, SL-550BP, SL-560, SL-650C, SL-650C-USA, SL-800B, SL-810, X-40, X-41, X-45, X-50, X-60, X-80		

			
1			
<b>Part No.</b>	524717	<b>Ref. No.</b>	4301818
<b>description</b>	intake filter ø 42mm H 80mm		
<b>For models:</b>	E-18, LVT-18, LVT-18A, LVT-18H, SV-18, SV-18H		

			
1			
<b>Part No.</b>	524749	<b>Ref. No.</b>	2313128
<b>description</b>	intake filter ø 61mm L 90mm		
<b>For models:</b>	P-35, SL-18, SL-19, SL-19D, SL-20E, X-35		


			
1			
<b>Part No.</b>	517706	<b>Ref. No.</b>	2313200 2319262
<b>description</b>	round filters ø 145mm H 84mm plastic hole ø 46mm		
<b>For models:</b>	P-41, P-50, S-41, S-50, S-60, SL-20, SL-20D, SL-21, SL-21B, SL-21BD, SL-21D, SL-22, SL-22B, SL-22BD, SL-22D, SL-23, SL-23B, SL-23BP, SL-24, SL-290B, SL-300, SL-350B, SL-360, SL-550, SL-550B, SL-550BP, SL-560, SL-650C, SL-650C-USA, SL-800B, SL-810, X-40, X-41, X-45, X-50, X-60, X-80		


## overflow pipes


			
1			
<b>Part No.</b>	524377	<b>Ref. No.</b>	2307807
<b>description</b>	overflow pipe L 130mm ø 40mm		
<b>For models:</b>	LV-1100, LV-1200		


			
1			
<b>Part No.</b>	524277	<b>Ref. No.</b>	4301655
<b>description</b>	overflow pipe L 138mm ø 32mm		
<b>For models:</b>	E-18, LVT-18, LVT-18A, LVT-18H, SV-18, SV-18H		





			
1			
<b>Part No.</b>	524744	<b>Ref. No.</b>	2305064
<b>description</b>	overflow pipe L 140mm ø 40mm		
<b>For models:</b>	E-300, LV-290, LV-350, LV-550, LV-750, LV-750A, SP-23, SP-23B, SV-20, SV-21, SV-21B		


			
1			
<b>Part No.</b>	517353	<b>Ref. No.</b>	2306041
<b>description</b>	overflow pipe L 147mm plastic ID ø 32mm ED ø 40mm thickness 3mm		
<b>For models:</b>	E-1000		


			
1			
<b>Part No.</b>	524703	<b>Ref. No.</b>	2310332
<b>description</b>	overflow pipe L 155mm ø 40mm		
<b>For models:</b>	SP-290, SP-350, SP-550, SP-550B, SP-800		


			
1			
<b>Part No.</b>	524743	<b>Ref. No.</b>	2307517 2310130
<b>description</b>	overflow pipe L 165mm ø 40mm		
<b>For models:</b>	S-23, S-290, S-350, S-550, S-750, S-750A, SB-22, SB-23, SB-290, SB-350, SB-550, SB-750, SB-750A, SV-20, SV-21, SV-21B		


			
1			
<b>Part No.</b>	524742	<b>Ref. No.</b>	2313206 2319251
<b>description</b>	overflow pipe L 185mm ø 40mm		
<b>For models:</b>	P-41, S-41, SL-20, SL-20D, SL-21, SL-21B, SL-23, SL-23B, SL-23BP, SL-24, X-40, X-41		

			
1			
<b>Part No.</b>	524704	<b>Ref. No.</b>	2313207 2319307
<b>description</b>	overflow pipe L 194mm ø 40mm		
<b>For models:</b>	P-50, S-50, S-60, SL-290B, SL-350B, SL-360, SL-550, SL-550B, SL-550BP, SL-560, SL-800B, SL-810, X-45, X-50, X-60, X-80		

			
1			
<b>Part No.</b>	524741	<b>Ref. No.</b>	2313208 2319440
<b>description</b>	overflow pipe L 300mm ø 40mm		
<b>For models:</b>	P-100, S-100, S-120, SL-1100B, SL-1100BP, SL-1200B, SL-1200BP, SL-900, X-100, X-120		


			
1			
<b>Part No.</b>	524740	<b>Ref. No.</b>	2310615
<b>description</b>	overflow pipe L 340mm ø 40mm plastic ID ø 34mm		
<b>For models:</b>	SC-1100, SC-1200		

			
1			
<b>Part No.</b>	517705	<b>Ref. No.</b>	2310967
<b>description</b>	overflow pipe L 393mm ø 40mm plastic ID ø 34mm		
<b>For models:</b>	SU-600, SU-750		

			
1			
<b>Part No.</b>	524714	<b>Ref. No.</b>	2306557 2313977 2319218
<b>description</b>	overflow pipe L 99mm ø 25mm		
<b>For models:</b>	E-19, LVT-19, P-35, S-20, S-21, SL-18, SL-19, SL-19D, SL-20E, SV-19, X-35		




			
1			
<b>Part No.</b>	524713	<b>Ref. No.</b>	2310242 2310419 2319261
<b>description</b>	overflow stock L 24mm seat ø 40mm for overflow pipe		
<b>For models:</b>	P-100, P-41, P-50, S-100, S-120, S-41, S-50, S-60, SC-1100, SC-1200, SL-1100B, SL-1100BP, SL-1200B, SL-1200BP, SL-20, SL-20D, SL-21, SL-21B, SL-21BD, SL-21D, SL-22, SL-22B, SL-22BD, SL-22D, SL-23, SL-23B, SL-23BP, SL-24, SL-290B, SL-300, SL-350B, SL-360, SL-550, SL-550B, SL-550BP, SL-560, SL-800B, SL-810, SL-900, SP-23, SP-23B, SP-290, SP-350, SP-550, SP-550B, SP-800, SU-600, SU-750, SV-20, SV-21...(Other models you can see in the webshop)		

			
1			
<b>Part No.</b>	524718	<b>Ref. No.</b>	2309654
<b>description</b>	overflow stock L 48mm seat ø 25mm for overflow pipe		
<b>For models:</b>	E-19, LVT-19, P-35, S-20, S-21, SL-18, SL-19, SL-19D, SL-20E, SV-19, X-35		

## boilers

## boilers for dishwashers

			
1			
<b>Part No.</b>	524699	<b>Ref. No.</b>	2310217
<b>description</b>	boiler ø 130mm L 330mm inlet ø 12mm		
<b>For models:</b>	SP-23, SP-23B, SV-19, SV-20, SV-21, SV-21B		


			
1			
<b>Part No.</b>	524700	<b>Ref. No.</b>	2313021
<b>description</b>	boiler ø 135mm L 330mm inlet ø 12mm		
<b>For models:</b>	P-41, S-41, SL-19, SL-19D, SL-20, SL-20D, SL-21, SL-21B, SL-21BD, SL-21D, SL-22, SL-22B, SL-22BD, SL-22D, SL-23, SL-23B, SL-23BP, SL-24, X-35, X-40, X-41		

			
1			
<b>Part No.</b>	524702	<b>Ref. No.</b>	2310316
<b>description</b>	boiler ø 170mm L 460mm inlet ø 12		
<b>For models:</b>	SC-1100, SP-550, SP-550B, SP-800		


			
1			
<b>Part No.</b>	524701	<b>Ref. No.</b>	2313447
<b>description</b>	boiler ø 175mm L 450mm inlet ø 12mm		
<b>For models:</b>	P-100, S-100, S-50, SL-1100B, SL-1100BP, SL-350B, SL-550, SL-550B, SL-550BP, SL-800B, X-100, X-50, X-80		

## hood mechanics for dishwashers

## hood handle supports

			
1			
<b>Part No.</b>	511697	<b>Ref. No.</b>	2310669
<b>description</b>	guide for hood handle mounting pos. right/left L 90mm W 56mm H 61mm set		
<b>For models:</b>	SC-1100, SC-1200		

## rollers

			
1			
<b>Part No.</b>	517714	<b>Ref. No.</b>	2309897
<b>description</b>	roller set ø 31mm H 20mm for hood mechanics with guide plastic black hole ø 12mm		
<b>For models:</b>	E-1000, LV-1100, LV-1200, P-100, S-100, S-120, SC-1100, SC-1200, SL-1100B, SL-1100BP, SL-1200B, SL-1200BP, SL-900, X-100, X-120		



miscellaneous



<b>Part No.</b>	517719	<b>Ref. No.</b>	2310608 2319431
<b>description</b>	spare parts kit for spring L 137mm W 38mm		
<b>For models:</b>	P-100, S-100, S-120, SC-1100, SC-1200, SL-1100B, SL-1100BP, SL-1200B, SL-1200BP, SL-900, X-100, X-120		

air traps

air traps



<b>Part No.</b>	524278	<b>Ref. No.</b>	4309244
<b>description</b>	air trap L 400mm ø 8mm hose ø 5.5mm plastic		
<b>For models:</b>	E-18, LVT-18, LVT-18A, LVT-18H, SV-18, SV-18H		



<b>Part No.</b>	524732	<b>Ref. No.</b>	2309693
<b>description</b>	air trap ø 44mm H 56mm thread M8x1.25 hose ø 6mm plastic		
<b>For models:</b>	E-19, LVT-19, P-100, S-100, S-120, S-20, S-21, S-23, SB-22, SB-23, SL-1100B, SL-1100BP, SL-1200B, SL-1200BP, SL-900, SP-23, SP-23B, SV-19, SV-20, SV-21, SV-21B, X-100, X-120		



<b>Part No.</b>	517354	<b>Ref. No.</b>	2309899
<b>description</b>	air trap ø 44mm H 82mm thread M8 hose ø 5.5mm plastic		
<b>For models:</b>	E-1000		



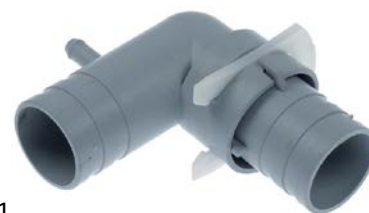
<b>Part No.</b>	510688	<b>Ref. No.</b>	2309200
<b>description</b>	air trap set ø 44mm H 139mm thread M8x1.25 hose ø 6.3mm plastic		
<b>For models:</b>	E-300, LV-1100, LV-1200, S-290, S-350, S-550, S-750, S-750A, SB-290, SB-350, SB-550, SB-750, SB-750A, SC-1100, SC-1200, SL-1100B, SL-1100BP, SL-1200B, SL-1200BP, SL-900, SP-290, SP-350, SP-550, SP-550B, SP-800, ST, ST-1400, ST-1700, ST-2200, ST-2800, ST-3000, ST-3500, SU-600, SU-750		



<b>Part No.</b>	524750	<b>Ref. No.</b>	2313131
<b>description</b>	air trap set ø 44mm H 49mm thread M8x1.25 hose ø 6.5mm plastic		
<b>For models:</b>	P-35, P-41, P-50, S-41, S-50, S-60, SL-18, SL-19, SL-19D, SL-20, SL-20D, SL-20E, SL-21, SL-21B, SL-21BD, SL-21D, SL-22, SL-22B, SL-22BD, SL-22D, SL-23, SL-23B, SL-23BP, SL-24, SL-290B, SL-300, SL-350B, SL-360, SL-550, SL-550B, SL-550BP, SL-560, SL-650C, SL-650C-USA, SL-800B, SL-810, X-35, X-40, X-41, X-45, X-50, X-60, X-80		

backflow preventers

backflow preventers



<b>Part No.</b>	524754	<b>Ref. No.</b>	2307503
<b>description</b>	backflow preventer L-shape hose ø 29mm		
<b>For models:</b>	P-50, S-100, S-120, S-23, S-290, S-350, S-41, S-50, S-550, S-60, S-750, S-750A, SB-22, SB-23, SB-290, SB-350, SB-550, SB-750, SB-750A, SC-1100, SC-1200, SL-1100B, SL-1100BP, SL-1200B, SL-1200BP, SL-20, SL-20D, SL-21, SL-21B, SL-21BD, SL-21D, SL-22, SL-22B, SL-22BD, SL-22D, SL-23, SL-23B, SL-23BP, SL-290B, SL-350B, SL-550B, SL-550BP, SL-650C, SL-650C-USA, SL-800B, SL-900, SP-23, SP-23B, SP-290, SP-350...(Other models you can see in the webshop)		

door mechanics

linkage



<b>Part No.</b>	524716	<b>Ref. No.</b>	2309224 2319278
<b>description</b>	door pin L 320mm thread M4 set ø 4mm		
<b>For models:</b>	E-300, P-41, P-50, S-23, S-290, S-350, S-41, S-50, S-550, S-60, S-750, S-750A, SB-23, SB-290, SB-350, SB-550, SB-750, SB-750A, SL-23, SL-23B, SL-23BP, SL-24, SL-290B, SL-300, SL-350B, SL-360, SL-550, SL-550B, SL-550BP, SL-560, SL-650C, SL-650C-USA, SL-800B, SL-810, SP-23, SP-23B, SP-290, SP-350, SP-550, SP-550B, SP-800, X-41, X-45, X-50, X-60, X-80		


hinges




<b>Part No.</b>	517715	<b>Ref. No.</b>	2313134
<b>description</b>	door hinge with bolt mounting pos. left/right ø 8mm L 72mm		
<b>For models:</b>	P-35, SL-18, SL-19, SL-19D, SL-20, SL-20D, SL-20E, SL-21, SL-21B, SL-21BD, SL-21D, SL-22, SL-22B, SL-22BD, SL-22D, SL-24, SL-300, SL-360, SL-550, SL-560, SL-650C, SL-650C-USA, X-35, X-40		







			
1			
<b>Part No.</b>	694538	<b>Ref. No.</b>	2309212
<b>description</b>	hinge L 72mm W 25mm mounting pos. left/right set for dishwasher Qty 1 pcs		
<b>For models:</b>	E-19, E-300, LVT-19, S-20, S-21, S-23, S-290, S-350, S-550, S-750, S-750A, SB-22, SB-23, SB-290, SB-350, SB-550, SB-750, SB-750A, SP-23, SP-23B, SP-290, SP-350, SP-550, SP-550B, SP-800, SV-19, SV-20, SV-21, SV-21B		

## door magnets

			
1			
<b>Part No.</b>	694540	<b>Ref. No.</b>	2310472 2319428
<b>description</b>	door magnet L 63mm W 11mm H 19mm mounting distance 52mm		
<b>For models:</b>	P-100, S-100, S-120, SA-3000, SA-5000, SAM-3000, SAM-3001, SAS-5000, SAS-5001, SAS-6000, SAS-6001, SC-1100, SC-1200, SL-1100B, SL-1100BP, SL-1200B, SL-1200BP, SL-900, ST-1400, ST-3000, ST-3500, SU-600, SU-750, X-100, X-120		

			
1			
<b>Part No.</b>	694539	<b>Ref. No.</b>	2310470 2319222
<b>description</b>	door magnet L 63mm W 7.5mm H 19mm mounting distance 52mm		
<b>For models:</b>	P-35, P-41, P-50, S-41, S-50, S-60, SL-18, SL-19, SL-19D, SL-20, SL-20D, SL-20E, SL-21, SL-21B, SL-21BD, SL-21D, SL-22, SL-22B, SL-22BD, SL-22D, SL-23, SL-23B, SL-23BP, SL-24, SL-290B, SL-300, SL-350B, SL-360, SL-550, SL-550B, SL-550BP, SL-560, SL-650C, SL-650C-USA, SL-800B, SL-810, SP-23, SP-23B, SP-290, SP-350, SP-550, SP-550B, SP-800, SV-19, SV-20, SV-21, SV-21B, X-35, X-40, X-41...(Other models you can see in the webshop)		

## door bumpers


			
1			
<b>Part No.</b>	511698	<b>Ref. No.</b>	2309566
<b>description</b>	door bumper set ø 15mm H 24mm mounting pos. left/right plastic		
<b>For models:</b>	E-300, P-41, P-50, S-23, S-290, S-350, S-41, S-50, S-550, S-60, S-750, S-750A, SB-23, SB-290, SB-350, SB-550, SB-750, SB-750A, SL-23, SL-23B, SL-23BP, SL-24, SL-290B, SL-300, SL-350B, SL-360, SL-550, SL-550B, SL-550BP, SL-560, SL-650C, SL-650C-USA, SL-800B, SL-810, SP-23, SP-23B, SP-290, SP-350, SP-550, SP-550B, SP-800, X-41, X-45, X-50, X-60, X-80		

## locks

			
1			
<b>Part No.</b>	700991	<b>Ref. No.</b>	2309122
<b>description</b>	snap lock flange length 70mm flange width 22mm		
<b>For models:</b>	E-19, E-300, LVT-19, P-35, P-41, P-50, S-20, S-21, S-23, S-290, S-350, S-41, S-50, S-550, S-60, S-750, S-750A, SB-22, SB-23, SB-290, SB-350, SB-550, SB-750, SB-750A, SL-18, SL-19, SL-19D, SL-20, SL-20D, SL-21, SL-21B, SL-21BD, SL-21D, SL-22, SL-22B, SL-22BD, SL-22D, SL-23, SL-23B, SL-23BP, SL-24, SL-290B, SL-350B, SL-360, SL-550, SL-550B, SL-550BP, SL-560, SL-650C, SL-650C-USA...(Other models you can see in the webshop)		

## washing and rinsing systems




			
1			
<b>Part No.</b>	524756	<b>Ref. No.</b>	2310708
<b>description</b>	bush for wash arm boss thickness 1.6mm H 15mm D1 ø 21mm D2 ø 15mm ID ø 12mm Qty 4 pcs		
<b>For models:</b>	SC-1100, SC-1200, SP-23, SP-23B, SP-290, SP-350, SP-550, SP-550B, SP-800, SV-18, SV-18H, SV-19, SV-20, SV-21, SV-21B		




			
1			
<b>Part No.</b>	524737	<b>Ref. No.</b>	2313127
<b>description</b>	rinse arm support mounting pos. upper H 21mm L 45mm hose ø 13mm		
<b>For models:</b>	P-35, P-41, SL-18, SL-19, SL-19D, SL-20, SL-20D, SL-20E, SL-21, SL-21B, SL-21BD, SL-21D, SL-22, SL-22B, SL-22BD, SL-22D, X-35, X-40		





washing and rinsing systems (sorted by producer)


SAMMIC


			
1			
<b>Part No.</b>	524045	<b>Ref. No.</b>	2313274 2319294
<b>description</b>	wash and rinse arm mounting pos. upper/lower wash arm L 455mm rinse arm L 460mm w. jets 12 r. jets 6 mounting ø 12/45mm H 53mm L 460mm W 455mm		
<b>For models:</b>	SL-290B, X-45		
<b>spare parts for</b>	524045		
	<b>Part No.</b>	517712	<b>Ref. No.</b> 2313126
	end cap for wash arm ø 23mm H 15mm Qty 4 pcs		
	<b>Part No.</b>	517713	<b>Ref. No.</b> 2313125
	rinse jet set		


			
1			
<b>Part No.</b>	524044	<b>Ref. No.</b>	2313342 2319310
<b>description</b>	wash and rinse arm mounting pos. upper/lower wash arm L 500mm rinse arm L 500mm w. jets 12 r. jets 6 mounting ø 12/45mm		
<b>For models:</b>	P-100, P-50, S-100, S-50, S-60, SL-1100B, SL-1100BP, SL-1200B, SL-1200BP, SL-300, SL-350B, SL-550, SL-550B, SL-550BP, SL-650C, SL-650C-USA, SL-800B, SL-810, SL-900, X-100, X-50, X-60, X-80		
<b>spare parts for</b>	524044		
	<b>Part No.</b>	517712	<b>Ref. No.</b> 2313126
	end cap for wash arm ø 23mm H 15mm Qty 4 pcs		
	<b>Part No.</b>	517713	<b>Ref. No.</b> 2313125
	rinse jet set		

			
1			
<b>Part No.</b>	524748	<b>Ref. No.</b>	2313182
<b>description</b>	wash and rinse arm wash arm L 385mm rinse arm L 400mm w. jets 9 r. jets 4 mounting ø 20/33mm mounting pos. upper		
<b>For models:</b>	SL-20, SL-20D, SL-21, SL-21B, SL-21BD, SL-21D, SL-22, SL-22B, SL-22BD, SL-22D, SL-23, SL-23B, SL-23BP		


			
1			
<b>Part No.</b>	524723	<b>Ref. No.</b>	2313178 2319252
<b>description</b>	wash and rinse arm wash arm L 400mm rinse arm L 400mm w. jets 9 r. jets 5 mounting ø 21/45mm mounting pos. lower		
<b>For models:</b>	P-41, S-41, SL-20, SL-20D, SL-20E, SL-21, SL-21B, SL-21BD, SL-21D, SL-22, SL-22B, SL-22BD, SL-22D, SL-23, SL-23B, SL-23BP, X-40, X-41		


			
1			
<b>Part No.</b>	517707	<b>Ref. No.</b>	2313223 2319204
<b>description</b>	wash arm mounting pos. upper wash arm L 355mm rinse arm L 365mm w. jets 8 r. jets 5		
<b>For models:</b>	P-35, SL-18, SL-19, SL-19D, X-35		


			
1			
<b>Part No.</b>	517712	<b>Ref. No.</b>	2313126
<b>description</b>	end cap for wash arm ø 23mm H 15mm Qty 4 pcs		
<b>For models:</b>	P-100, P-35, P-41, P-50, S-100, S-120, S-41, S-50, S-60, SL-1100B, SL-1100BP, SL-1200B, SL-1200BP, SL-18, SL-19, SL-19D, SL-20, SL-20D, SL-20E, SL-21, SL-21B, SL-21BD, SL-21D, SL-22, SL-22B, SL-22BD, SL-22D, SL-23, SL-23B, SL-23BP, SL-24, SL-290B, SL-300, SL-350B, SL-360, SL-550, SL-550B, SL-550BP, SL-560, SL-650C, SL-650C-USA, SL-800B, SL-810, SL-900, X-100, X-120, X-35, X-40, X-41, X-45...(Other models you can see in the webshop)		


			
1			
<b>Part No.</b>	517713	<b>Ref. No.</b>	2313125
<b>description</b>	rinse jet set		
<b>For models:</b>	P-100, P-35, P-41, P-50, S-120, S-41, S-50, S-60, SL-1100B, SL-1100BP, SL-1200B, SL-1200BP, SL-18, SL-19, SL-19D, SL-20, SL-20D, SL-20E, SL-21, SL-21B, SL-21BD, SL-21D, SL-22, SL-22B, SL-22BD, SL-22D, SL-23, SL-23B, SL-23BP, SL-24, SL-290B, SL-300, SL-350B, SL-360, SL-550, SL-550B, SL-550BP, SL-560, SL-650C, SL-650C-USA, SL-800B, SL-810, SL-900, X-120, X-35, X-40, X-41, X-45, X-50, X-60...(Other models you can see in the webshop)		





			
1			
<b>Part No.</b>	524730	<b>Ref. No.</b>	2313211
<b>description</b>	wash arm boss mounting pos. upper/lower mounting ø 21/45mm L 102mm W 80mm H 47mm		
<b>For models:</b>	P-100, P-35, P-41, P-50, S-100, S-41, S-50, S-60, SL-1100B, SL-1100BP, SL-1200B, SL-1200BP, SL-18, SL-19, SL-19D, SL-20, SL-20D, SL-20E, SL-21, SL-21B, SL-21BD, SL-21D, SL-22, SL-22B, SL-22BD, SL-22D, SL-23, SL-23B, SL-23BP, SL-24, SL-290B, SL-300, SL-350B, SL-360, SL-550, SL-550B, SL-550BP, SL-560, SL-650C, SL-650C-USA, SL-800B, SL-810, SL-900, X-100, X-35, X-40, X-41, X-45, X-50, X-60...(Other models you can see in the webshop)		


			
1			
<b>Part No.</b>	524722	<b>Ref. No.</b>	2307310
<b>description</b>	wash and rinse arm wash arm L 465mm rinse arm L 470mm w. jets 8 r. jets 6 mounting ø 20/57mm mounting pos. upper/lower		
<b>For models:</b>	LV-290, S-290, SB-290, SP-290		


			
1			
<b>Part No.</b>	524721	<b>Ref. No.</b>	2309075
<b>description</b>	end cap for rinse arm set 4-piece ø 10mm H 19mm		
<b>For models:</b>	SP-23, SP-23B, SV-18, SV-18H, SV-19, SV-20, SV-21, SV-21B		


			
1			
<b>Part No.</b>	524734	<b>Ref. No.</b>	2309076
<b>description</b>	end cap for wash arm set 4-piece mounting pos. upper/lower ø 16mm H 29mm		
<b>For models:</b>	SC-1100, SC-1200, SP-23, SP-23B, SP-290, SP-350, SP-550, SP-550B, SP-800, SV-18, SV-18H, SV-19, SV-20, SV-21, SV-21B		

			
1			
<b>Part No.</b>	517349	<b>Ref. No.</b>	2309080
<b>description</b>	rinse jet set ø 13mm H 27mm		
<b>For models:</b>	E-1000, E-18, E-19, E-300, LV-1100, LV-1200, LVT-18, LVT-18A, LVT-18H, S-20, S-21, S-23, S-290, S-350, S-550, S-750, S-750A, SB-22, SB-23, SB-290, SB-350, SB-550, SB-750, SB-750A, SC-1100, SC-1200, SP-23, SP-23B, SP-290, SP-350, SP-550, SP-550B, SP-800, SV-18, SV-18H, SV-19, SV-20, SV-21, SV-21B		


			
1			
<b>Part No.</b>	517352	<b>Ref. No.</b>	2305053 2309550
<b>description</b>	wash arm boss L 140mm W 140mm H 48mm		
<b>For models:</b>	E-1000, E-19, E-300, LV-1100, S-21, S-23, S-290, S-350, S-550, S-750, S-750A, SB-22, SB-23, SB-290, SB-350, SB-550, SB-750, SB-750A, SC-1100, SP-23, SP-23B, SP-290, SP-350, SP-550, SP-550B, SP-800, SV-19, SV-20, SV-21, SV-21B		


			
1			
<b>Part No.</b>	524048	<b>Ref. No.</b>	2304847
<b>description</b>	wash and rinse arm mounting pos. upper/lower wash arm L 510mm rinse arm L 500mm w. jets 9 r. jets 6 mounting ø 12/57mm complete		
<b>For models:</b>	E-1000, E-300, LV-1100, LV-290, LV-350, LV-550, LV-750, LV-750A, S-350, S-550, S-750, S-750A, SB-350, SB-550, SB-750, SB-750A, SC-1100, SP-350, SP-550, SP-550B, SP-800		


			
1			
<b>Part No.</b>	524747	<b>Ref. No.</b>	2305793
<b>description</b>	wash and rinse arm wash arm L 365mm rinse arm L 375mm w. jets 6 r. jets 5 mounting ø 20/57mm mounting pos. lower		
<b>For models:</b>	E-19, SV-19		


			
1			
<b>Part No.</b>	524746	<b>Ref. No.</b>	2305458
<b>description</b>	wash and rinse arm wash arm L 410mm rinse arm L 410mm w. jets 6 r. jets 5 mounting ø 20/57mm mounting pos. lower		
<b>For models:</b>	S-20, S-21, S-23, SB-22, SB-23, SP-23, SP-23B, SV-20, SV-21, SV-21B		





			
1			
<b>Part No.</b>	517348	<b>Ref. No.</b>	2309218
<b>description</b>	wash jet set H 32mm ø 18mm		
<b>For models:</b>	E-1000, E-18, E-19, E-300, LV-1100, LVT-18, LVT-18A, LVT-18H, S-20, S-21, S-23, S-290, S-350, S-550, S-750, S-750A, SB-22, SB-23, SB-290, SB-350, SB-550, SB-750, SB-750A, SP-23, SP-23B, SP-290, SP-350, SP-550, SP-550B, SP-800, SV-18, SV-18H, SV-19, SV-20, SV-21, SV-21B		


			
1			
<b>Part No.</b>	524276	<b>Ref. No.</b>	4301864
<b>description</b>	wash arm boss		
<b>For models:</b>	E-18, E-19, LVT-18, LVT-18A, LVT-18H, S-20, SV-18, SV-18H, SV-20, SV-21, SV-21B		


			
1			
<b>Part No.</b>	524049	<b>Ref. No.</b>	4301756
<b>description</b>	wash arm mounting pos. lower wash arm L 375mm rinse arm L 375mm w. jets 6 r. jets 4 mounting ø 9/32mm complete		
<b>For models:</b>	E-18, LVT-18, LVT-18A, LVT-18H, SV-18, SV-18H		


			
1			
<b>Part No.</b>	517348	<b>Ref. No.</b>	2309218
<b>description</b>	wash jet set H 32mm ø 18mm		
<b>For models:</b>	E-1000, E-18, E-19, E-300, LV-1100, LVT-18, LVT-18A, LVT-18H, S-20, S-21, S-23, S-290, S-350, S-550, S-750, S-750A, SB-22, SB-23, SB-290, SB-350, SB-550, SB-750, SB-750A, SP-23, SP-23B, SP-290, SP-350, SP-550, SP-550B, SP-800, SV-18, SV-18H, SV-19, SV-20, SV-21, SV-21B		


			
1			
<b>Part No.</b>	524070	<b>Ref. No.</b>	4301758
<b>description</b>	wash arm mounting pos. lower wash arm L 410mm rinse arm L 415mm w. jets 6 r. jets 4 mounting ø 10/33mm complete		
<b>For models:</b>	LVT-18A		

			
1			
<b>Part No.</b>	524724	<b>Ref. No.</b>	2307205
<b>description</b>	wash and rinse arm wash arm L 415mm rinse arm L 410mm w. jets 6 r. jets 4 mounting ø 20/33mm mounting pos. upper		
<b>For models:</b>	S-21, S-23, SB-22, SB-23, SV-20, SV-21, SV-21B		


			
1			
<b>Part No.</b>	524734	<b>Ref. No.</b>	2309076
<b>description</b>	end cap for wash arm set 4-piece mounting pos. upper/lower ø 16mm H 29mm		
<b>For models:</b>	SC-1100, SC-1200, SP-23, SP-23B, SP-290, SP-350, SP-550, SP-550B, SP-800, SV-18, SV-18H, SV-19, SV-20, SV-21, SV-21B		


			
1			
<b>Part No.</b>	524721	<b>Ref. No.</b>	2309075
<b>description</b>	end cap for rinse arm set 4-piece ø 10mm H 19mm		
<b>For models:</b>	SP-23, SP-23B, SV-18, SV-18H, SV-19, SV-20, SV-21, SV-21B		


			
1			
<b>Part No.</b>	517349	<b>Ref. No.</b>	2309080
<b>description</b>	rinse jet set ø 13mm H 27mm		
<b>For models:</b>	E-1000, E-18, E-19, E-300, LV-1100, LV-1200, LVT-18, LVT-18A, LVT-18H, S-20, S-21, S-23, S-290, S-350, S-550, S-750, S-750A, SB-22, SB-23, SB-290, SB-350, SB-550, SB-750, SB-750A, SC-1100, SC-1200, SP-23, SP-23B, SP-290, SP-350, SP-550, SP-550B, SP-800, SV-18, SV-18H, SV-19, SV-20, SV-21, SV-21B		


			
1			
<b>Part No.</b>	524734	<b>Ref. No.</b>	2309076
<b>description</b>	end cap for wash arm set 4-piece mounting pos. upper/lower ø 16mm H 29mm		
<b>For models:</b>	SC-1100, SC-1200, SP-23, SP-23B, SP-290, SP-350, SP-550, SP-550B, SP-800, SV-18, SV-18H, SV-19, SV-20, SV-21, SV-21B		





			
1			
<b>Part No.</b>	517349	<b>Ref. No.</b>	2309080
<b>description</b>	rinse jet set ø 13mm H 27mm		
<b>For models:</b>	E-1000, E-18, E-19, E-300, LV-1100, LV-1200, LVT-18, LVT-18A, LVT-18H, S-20, S-21, S-23, S-290, S-350, S-550, S-750, S-750A, SB-22, SB-23, SB-290, SB-350, SB-550, SB-750, SB-750A, SC-1100, SC-1200, SP-23, SP-23B, SP-290, SP-350, SP-550, SP-550B, SP-800, SV-18, SV-18H, SV-19, SV-20, SV-21, SV-21B		


			
1			
<b>Part No.</b>	524712	<b>Ref. No.</b>	4301665
<b>description</b>	wash arm boss mounting pos. upper ø 36mm L 80mm W 64mm H 34mm		
<b>For models:</b>	S-21, S-23, SB-22, SB-23, SP-23, SP-23B, SV-20, SV-21, SV-21B		


			
1			
<b>Part No.</b>	517348	<b>Ref. No.</b>	2309218
<b>description</b>	wash jet set H 32mm ø 18mm		
<b>For models:</b>	E-1000, E-18, E-19, E-300, LV-1100, LVT-18, LVT-18A, LVT-18H, S-20, S-21, S-23, S-290, S-350, S-550, S-750, S-750A, SB-22, SB-23, SB-290, SB-350, SB-550, SB-750, SB-750A, SP-23, SP-23B, SP-290, SP-350, SP-550, SP-550B, SP-800, SV-18, SV-18H, SV-19, SV-20, SV-21, SV-21B		


			
1			
<b>Part No.</b>	524755	<b>Ref. No.</b>	2313179 2319253
<b>description</b>	rinse arm L 400mm nozzles 4 mounting ø 12mm mounting pos. upper		
<b>For models:</b>	P-41, SL-20, SL-20D, SL-20E, SL-21, SL-21B, SL-21BD, SL-21D, SL-22, SL-22B, SL-22BD, SL-22D, X-40		


			
1			
<b>Part No.</b>	517708	<b>Ref. No.</b>	2313224 2319203
<b>description</b>	rinse arm mounting pos. upper L 360mm nozzles 4 mounting ø 12mm		
<b>For models:</b>	P-35, SL-18, SL-19, SL-19D, X-35		

			
1			
<b>Part No.</b>	524757	<b>Ref. No.</b>	2313117
<b>description</b>	rinse arm boss mounting pos. upper ø 12mm H 27mm		
<b>For models:</b>	P-35, P-41, SL-1100B, SL-1100BP, SL-1200B, SL-1200BP, SL-18, SL-19, SL-19D, SL-20, SL-20D, SL-20E, SL-21, SL-21B, SL-21BD, SL-21D, SL-22, SL-22B, SL-22BD, SL-22D, SL-900, X-35, X-40		


			
1			
<b>Part No.</b>	517713	<b>Ref. No.</b>	2313125
<b>description</b>	rinse jet set		
<b>For models:</b>	P-100, P-35, P-41, P-50, S-120, S-41, S-50, S-60, SL-1100B, SL-1100BP, SL-1200B, SL-1200BP, SL-18, SL-19, SL-19D, SL-20, SL-20D, SL-20E, SL-21, SL-21B, SL-21BD, SL-21D, SL-22, SL-22B, SL-22BD, SL-22D, SL-23, SL-23B, SL-23BP, SL-24, SL-290B, SL-300, SL-350B, SL-360, SL-550, SL-550B, SL-550BP, SL-560, SL-650C, SL-650C-USA, SL-800B, SL-810, SL-900, X-120, X-35, X-40, X-41, X-45, X-50, X-60...(Other models you can see in the webshop)		


			
1			
<b>Part No.</b>	524072	<b>Ref. No.</b>	4301762
<b>description</b>	rinse arm mounting pos. upper L 364mm nozzles 4 mounting ø 9.5mm W 20mm		
<b>For models:</b>	E-18, E-19, LVT-18, LVT-18A, LVT-18H, SV-18, SV-18H, SV-19		


			
1			
<b>Part No.</b>	524071	<b>Ref. No.</b>	4301764
<b>description</b>	rinse arm mounting pos. upper L 400mm nozzles 4 mounting ø 10mm		
<b>For models:</b>	LVT-18A, S-20, SV-20, SV-21, SV-21B		

			
1			
<b>Part No.</b>	524275	<b>Ref. No.</b>	4301858
<b>description</b>	rinse arm boss		
<b>For models:</b>	E-18, LVT-18, LVT-18A, LVT-18H, SV-18, SV-18H, SV-19, SV-20, SV-21, SV-21B		




			
1			
<b>Part No.</b>	517349	<b>Ref. No.</b>	2309080
<b>description</b>	rinse jet set ø 13mm H 27mm		
<b>For models:</b>	E-1000, E-18, E-19, E-300, LV-1100, LV-1200, LVT-18, LVT-18A, LVT-18H, S-20, S-21, S-23, S-290, S-350, S-550, S-750, S-750A, SB-22, SB-23, SB-290, SB-350, SB-550, SB-750, SB-750A, SC-1100, SC-1200, SP-23, SP-23B, SP-290, SP-350, SP-550, SP-550B, SP-800, SV-18, SV-18H, SV-19, SV-20, SV-21, SV-21B		


			
1			
<b>Part No.</b>	517717	<b>Ref. No.</b>	2319019
<b>description</b>	end cap set 2-piece thread M12x1.5 H 8mm WS 13		
<b>For models:</b>	SU-600, SU-750		


			
1			
<b>Part No.</b>	517716	<b>Ref. No.</b>	2311569
<b>description</b>	rinse jet H 17mm thread 1/8" WS 13		
<b>For models:</b>	ST, ST-1400, ST-1700, ST-2200, ST-2800, ST-3000, ST-3500		


			
1			
<b>Part No.</b>	542379	<b>Ref. No.</b>	2313419
<b>description</b>	wash arm boss L 100mm W 100mm H 45.5mm mounting ø 16mm		
<b>For models:</b>	SL-1100B, SL-1100BP, SL-1200B, SL-1200BP, SL-900		


			
1			
<b>Part No.</b>	517709	<b>Ref. No.</b>	2319060
<b>description</b>	wash arm boss mounting pos. upper L 90mm W 65mm H 38mm		
<b>For models:</b>	S-41, SL-20, SL-20D, SL-21, SL-21B, SL-21BD, SL-21D, SL-22, SL-22B, SL-22BD, SL-22D, SL-23, SL-23B, SL-23BP, SL-24, X-41		

			
1			
<b>Part No.</b>	517410	<b>Ref. No.</b>	2309849
<b>description</b>	wash jet set H 32mm ø 18mm		
<b>For models:</b>	LV-1200, SC-1100, SC-1200		


			
1			
<b>Part No.</b>	524728	<b>Ref. No.</b>	2310249
<b>description</b>	opposite support for wash arm support mounting pos. lower H 73mm suitable for SAMMIC		
<b>For models:</b>	SP-23, SP-23B, SP-290, SP-350, SP-550, SP-550B, SP-800, SV-20, SV-21, SV-21B		


			
1			
<b>Part No.</b>	524710	<b>Ref. No.</b>	2313129
<b>description</b>	opposite support for wash arm support mounting pos. lower ø 82mm H 79mm suitable for SAMMIC		
<b>For models:</b>	P-35, P-41, SL-18, SL-19, SL-19D, SL-20, SL-20D, SL-20E, SL-21BD, SL-21D, SL-22, SL-22B, SL-22BD, SL-22D, X-35, X-40		


			
1			
<b>Part No.</b>	524709	<b>Ref. No.</b>	2310745
<b>description</b>	opposite support for wash arm support mounting pos. lower thread 1/4" H 59mm suitable for SAMMIC		
<b>For models:</b>	SC-1100		


			
1			
<b>Part No.</b>	517344	<b>Ref. No.</b>	2319061
<b>description</b>	opposite support mounting pos. lower thread 1/2" H 65mm with ring gasket		
<b>For models:</b>	P-50, S-41, S-50, S-60, SL-20D, SL-21, SL-21B, SL-21BD, SL-21D, SL-22, SL-22B, SL-22BD, SL-22D, SL-23, SL-23B, SL-23BP, SL-24, SL-290B, SL-350B, SL-360, SL-550, SL-550B, SL-550BP, SL-560, SL-800B, X-41, X-45, X-50, X-60, X-80		





			
1			
<b>Part No.</b>	524725	<b>Ref. No.</b>	2309727
<b>description</b>	wash arm support mounting pos. lower H 168mm		
<b>For models:</b>	E-19, S-20, S-21, S-23, SB-22, SB-23, SP-23, SP-23B, SV-19, SV-20, SV-21, SV-21B		


			
1			
<b>Part No.</b>	524707	<b>Ref. No.</b>	2313151 2319205
<b>description</b>	wash arm support mounting pos. lower ø 82mm H 116mm		
<b>For models:</b>	P-100, P-35, P-41, S-100, S-41, SL-1100B, SL-1100BP, SL-1200B, SL-1200BP, SL-18, SL-19, SL-19D, SL-20, SL-20D, SL-20E, SL-21, SL-21B, SL-21BD, SL-21D, SL-22, SL-22B, SL-22BD, SL-22D, SL-23, SL-23B, SL-23BP, SL-24, SL-900, X-100, X-35, X-40, X-41		


			
1			
<b>Part No.</b>	524758	<b>Ref. No.</b>	2310746
<b>description</b>	wash arm support mounting pos. lower ø 92mm H 102mm		
<b>For models:</b>	SC-1100		


			
1			
<b>Part No.</b>	517342	<b>Ref. No.</b>	2313214 2319309
<b>description</b>	wash arm support mounting pos. lower thread 1 1/2" ø 44mm H 128mm		
<b>For models:</b>	P-50, S-50, S-60, SL-290B, SL-300, SL-350B, SL-360, SL-550, SL-550B, SL-550BP, SL-560, SL-650C, SL-650C-USA, SL-800B, SL-810, X-45, X-50, X-60, X-80		


			
1			
<b>Part No.</b>	524715	<b>Ref. No.</b>	4309242
<b>description</b>	wash arm support mounting pos. upper H 40mm L1 53mm		
<b>For models:</b>	E-18, E-19, LVT-18, LVT-18A, LVT-18H, S-20, SV-18, SV-18H, SV-19, SV-20, SV-21, SV-21B		


			
1			
<b>Part No.</b>	517343	<b>Ref. No.</b>	2319059
<b>description</b>	wash arm support mounting pos. upper ø 30mm H 49.5mm		
<b>For models:</b>	P-50, S-50, S-60, SL-290B, SL-350B, SL-360, SL-550, SL-550B, SL-550BP, SL-560, SL-650C, SL-650C-USA, SL-800B, X-45, X-50, X-60, X-80		

			
1			
<b>Part No.</b>	524753	<b>Ref. No.</b>	2309729
<b>description</b>	wash arm support mounting pos. upper ø 61mm H 73mm		
<b>For models:</b>	S-21, S-23, SB-22, SB-23, SP-23, SP-23B, SV-20, SV-21, SV-21B		

			
1			
<b>Part No.</b>	517710	<b>Ref. No.</b>	2319062
<b>description</b>	wash arm support mounting pos. upper ø 61mm H 79mm		
<b>For models:</b>	S-41, SL-20, SL-20D, SL-21, SL-21B, SL-21BD, SL-21D, SL-22, SL-22B, SL-22BD, SL-22D, SL-23, SL-23B, SL-23BP, SL-24, X-41		


			
1			
<b>Part No.</b>	524711	<b>Ref. No.</b>	2309110
<b>description</b>	wash arm support mounting pos. upper ø 88mm H 49mm		
<b>For models:</b>	E-300, S-290, S-350, S-550, S-750, S-750A, SB-290, SB-350, SB-550, SB-750, SB-750A, SP-290, SP-350, SP-550, SP-550B, SP-800		

			
1			
<b>Part No.</b>	524727	<b>Ref. No.</b>	4309240
<b>description</b>	wash arm support set mounting pos. lower H 120mm		
<b>For models:</b>	E-18, LVT-18, LVT-18A, LVT-18H, SV-18, SV-18H		

			
1			
<b>Part No.</b>	524735	<b>Ref. No.</b>	2309064
<b>description</b>	gasket set for wash arm support		
<b>For models:</b>	SC-1100, SC-1200, SP-23, SP-23B, SP-290, SP-350, SP-550, SP-550B, SP-800, SV-18, SV-18H, SV-19, SV-20, SV-21, SV-21B		




rinse arm shafts

 <p>1</p>			
<b>Part No.</b>	524720	<b>Ref. No.</b>	2313219 2319206
<b>description</b>	rinse arm shaft mounting pos. lower ø 12mm H 71mm thread M12x1.75 thread L 13mm		
<b>For models:</b>	P-100, P-35, P-41, P-50, S-120, S-41, S-50, S-60, SL-1100B, SL-1100BP, SL-1200B, SL-1200BP, SL-18, SL-19, SL-19D, SL-20, SL-20D, SL-20E, SL-21, SL-21B, SL-21BD, SL-21D, SL-22, SL-22B, SL-22BD, SL-22D, SL-23, SL-23B, SL-23BP, SL-24, SL-290B, SL-300, SL-350B, SL-360, SL-550, SL-550B, SL-550BP, SL-560, SL-650C, SL-650C-USA, SL-800B, SL-810, SL-900, X-120, X-35, X-40, X-41, X-45, X-50, X-60...(Other models you can see in the webshop)		


for vacuum packers

PTFE tapes

 <p>1</p>			
<b>Part No.</b>	692724	<b>Ref. No.</b>	2141762 2141772 2149002 2149048 2149101
<b>description</b>	PTFE tape W 60mm thickness 0.2mm L 1100mm Qty 1		
<b>For models:</b>	SV-204T, SV-204T-120V, SV-306T, SV-306T-120V, SV-308T, SV-308T-120V, SV-310S, SV-310S-120V, SV-310T, SV-310T-120V, SV-408T, SV-410S, SV-410S-120V, SV-410T, SV-410T-120V, SV-418T, SV-420S, SV-420S-120V, SV-420T, SV-420T-120V, SV-520S, SV-520S-120V, SV-520T, SV-520T-120V, SV-6000S, SV-604CCS, SV-604CCT, SV-604S, SV-604T, SV-606CCS, SV-606CCT, SV-606S, SV-606T, SV-806LLS, SV-806LLT, SV-806S, SV-806T, SV-810LLS, SV-810LLT, SV-810S, SV-810T, V-201T, V-252T, V-253T, V-401SGA, V-401T, V-402SG, V-402T, V-410SG, V-410T...(Other models you can see in the webshop)		


sealing bars

silicone stips

 <p>1</p>			
<b>Part No.</b>	699278	<b>Ref. No.</b>	2143353 2149031 2149202
<b>description</b>	silicon insert L 416mm W 17mm H 8mm		
<b>For models:</b>	V-401SGA, V-401T, V-402SG, V-402T, V-410SG, V-410T, V-420SA, V-420SGA, V-420T, V-421SG, V-421T, V-425SGA, V-425T, V-426SG, V-426T, V-640SA, V-640SGA, V-640T, V-641SG, V-641T		

knobs

producer-specific knobs

<p>SAMMIC</p>  <p>1</p>			
<b>Part No.</b>	111400	<b>Ref. No.</b>	2304989 2309024 2309580 2509157
<b>description</b>	knob set zero mark ø 41mm shaft ø 6x4.6mm grey, red		
<b>For models:</b>	BM-11, BM-21, BM-22, BM-22C, BM-22H, BM-42, LV-1100, LV-1200, LV-290, LV-350, LV-550, LV-750, LV-750A, LVT-19, M-5, P-12, S-23, S-290, S-350, S-550, S-750, S-750A, SB-22, SB-23, SB-290, SB-350, SB-550, SB-750, SB-750A, TRX-21, TRX-22, V-401SGA, V-401T, V-402SG, V-402T, V-410SG, V-410T, V-420SA, V-420SGA, V-420T, V-421SG, V-421T, V-425SGA, V-425T, V-426SG, V-426T, V-640SA, V-640SGA, V-640T, V-641SG...(Other models you can see in the webshop)		

locks

snap locks

producer-specific

<p>SAMMIC</p>  <p>1</p>			
<b>Part No.</b>	700991	<b>Ref. No.</b>	2309122
<b>description</b>	snap lock flange length 70mm flange width 22mm		
<b>For models:</b>	E-19, E-300, LVT-19, P-35, P-41, P-50, S-20, S-21, S-23, S-290, S-350, S-41, S-50, S-550, S-60, S-750, S-750A, SB-22, SB-23, SB-290, SB-350, SB-550, SB-750, SB-750A, SL-18, SL-19, SL-19D, SL-20, SL-20D, SL-21, SL-21B, SL-21BD, SL-21D, SL-22, SL-22B, SL-22BD, SL-22D, SL-23, SL-23B, SL-23BP, SL-24, SL-290B, SL-350B, SL-360, SL-550, SL-550B, SL-550BP, SL-560, SL-650C, SL-650C-USA...(Other models you can see in the webshop)		

hinges

oven hinges

 <p>1</p>			
<b>Part No.</b>	700904	<b>Ref. No.</b>	6126028
<b>description</b>	oven hinge mounting distance 154mm lever length 91mm spring thickness 3mm with opposite support zinc-coated steel distance C 14mm left/right		





## door bearing



<b>Part No.</b>	694538	<b>Ref. No.</b>	2309212
<b>description</b>	hinge L 72mm W 25mm mounting pos. left/right set for dishwasher Qty 1 pcs		
<b>For models:</b>	E-19, E-300, LVT-19, S-20, S-21, S-23, S-290, S-350, S-550, S-750, S-750A, SB-22, SB-23, SB-290, SB-350, SB-550, SB-750, SB-750A, SP-23, SP-23B, SP-290, SP-350, SP-550, SP-550B, SP-800, SV-19, SV-20, SV-21, SV-21B		

## baskets

## warewashing baskets

## steel wire baskets square

## mix baskets



<b>Part No.</b>	971002 <sup>1</sup>	<b>Ref. No.</b>	4301923
<b>description</b>	mix basket L 350mm W 350mm H 165mm mesh type wide-meshed		

<sup>1</sup>wide-meshed

<b>Part No.</b>	970068 <sup>1</sup>	<b>Ref. No.</b>	2309733
<b>description</b>	mix basket L 400mm W 400mm H 170mm		

spare parts for 970068



<b>Part No.</b>	970001	<b>Ref. No.</b>	—
<b>description</b>	sliding corner wire gauge ø 5mm L 120mm W 120mm H 12mm L-shape		

<sup>1</sup>wide-meshed

<b>Part No.</b>	971029 <sup>1</sup>	<b>Ref. No.</b>	2307320
<b>description</b>	mix basket L 450mm W 450mm H 120mm mesh type wide-meshed		

<sup>1</sup>wide-meshed

## plate baskets



<b>Part No.</b>	971032	<b>Ref. No.</b>	2307315
<b>description</b>	plate basket L 450mm W 450mm H 95mm plates 14 plate ø 230mm		

## plastic baskets square

## mix baskets



<b>Part No.</b>	971058	<b>Ref. No.</b>	2302612
<b>description</b>	mix basket L 350mm W 350mm H 150mm		



<b>Part No.</b>	971078	<b>Ref. No.</b>	2305468
<b>description</b>	mix basket L 400mm W 400mm H 150mm		

## plate baskets



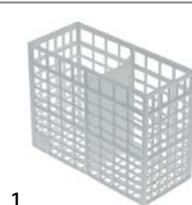
<b>Part No.</b>	970693	<b>Ref. No.</b>	2307028
<b>description</b>	plate basket L 400mm W 400mm		

## accessories


## cutlery inserts



<b>Part No.</b>	976016	<b>Ref. No.</b>	2302615
<b>description</b>	cutlery insert L 110mm W 110mm ømm H 130mm		



<b>Part No.</b>	970349	<b>Ref. No.</b>	2302617
<b>description</b>	cutlery insert L 130mm W 57mm ømm H 110mm		

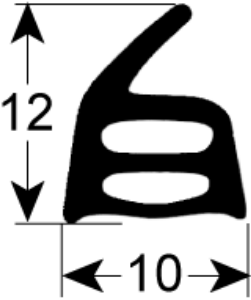
1

<b>Part No.</b>	972032	<b>Ref. No.</b>	5300125
<b>description</b>	cutlery insert L 430mm W 205mm ømm H 150mm		

## gaskets

### gaskets for heated units

#### door seals with fixing hook




1

<b>Part No.</b>	902326	<b>Ref. No.</b>	6121548 GUA029
<b>description</b>	oven gasket external size L 460mm W 370mm with 6 mounting clips		
<b>For models:</b>	HP-434		

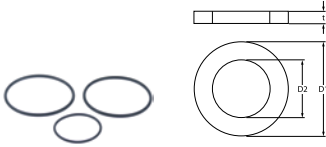
## O-rings

### EPDM



1

<b>Part No.</b>	532631	<b>Ref. No.</b>	2309051
<b>description</b>	O-ring EPDM thickness 8mm ID ø 52mm Qty 2 pcs		
<b>For models:</b>	E-1000, E-300, LV-1100, LV-1200, S-21, S-23, S-290, S-350, S-550, S-750, S-750A, SB-22, SB-23, SB-290, SB-350, SB-550, SB-750, SB-750A, SC-1100, SC-1200, SP-23, SP-23B, SP-290, SP-350, SP-550, SP-550B, SP-800, ST, ST-1400, ST-1700, ST-2200, ST-2800, ST-3000, ST-3500, SU-600, SU-750, SV-19, SV-20, SV-21, SV-21B		




1

<b>Part No.</b>	518188	<b>Ref. No.</b>	2310753
<b>description</b>	O-ring set EPDM thickness 3/4mm ID ø 46/74mm		
<b>For models:</b>	SC-1100, SC-1200, SU-600, SU-750		

## sealing washers

### silicone gaskets




1

<b>Part No.</b>	651007	<b>Ref. No.</b>	6420111
<b>description</b>	gasket ED ø 75mm ID ø 55mm thickness 3mm Qty 1 pcs		
<b>For models:</b>	TB-1000		

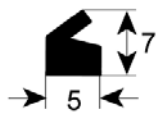
## special gaskets

### for vacuum packers



1


<b>Part No.</b>	902405	<b>Ref. No.</b>	2149075 2149217
<b>description</b>	lid gasket H 10mm W 7mm L 2430mm		
<b>For models:</b>	SV-520S, SV-520S-120V, SV-520T, SV-520T-120V, SV-604CCS, SV-604CCT, SV-604S, SV-604T, SV-606CCS, SV-606CCT, SV-606S, SV-606T, V-425SGA, V-425T, V-426SG, V-426T, V-640SA, V-640SGA, V-640T, V-641SG, V-641SGA, V-641T		



1

<b>Part No.</b>	901259	<b>Ref. No.</b>	2149004 2149144
<b>description</b>	lid gasket silicone Qty 1700mm for vacuum packing machine		
<b>For models:</b>	SK-3, SK-5, SK-8, SKE-3, SKE-5, SKE-8, SV-204T, SV-204T-120V, SV-306T, SV-306T-120V, SV-308T, SV-308T-120V, SV-310S, SV-310S-120V, SV-310T, SV-310T-120V, SV-410S, SV-410T-120V, SV-420S, SV-420T-120V, V-200T, V-401SGA, V-401T, V-402SG, V-402T, V-410SG, V-410T, V-420SA, V-420SGA, V-420T, V-421SG, V-421T		

## miscellaneous



1

<b>Part No.</b>	524735	<b>Ref. No.</b>	2309064
<b>description</b>	gasket set for wash arm support		
<b>For models:</b>	SC-1100, SC-1200, SP-23, SP-23B, SP-290, SP-350, SP-550, SP-550B, SP-800, SV-18, SV-18H, SV-19, SV-20, SV-21, SV-21B		



## transmission technology and ball bearings

### drive belts

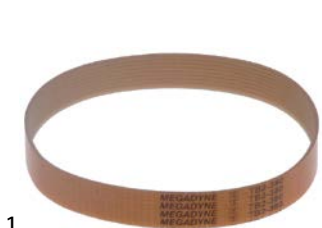
#### toothed belts



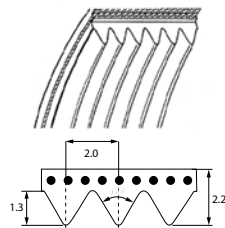
1

<b>Part No.</b>	699398	<b>Ref. No.</b>	2502217
<b>description</b>	toothed belt L 609.6mm belt width 12.7mm H 2.3mm teeth 120 CODE 240XL050		
<b>For models:</b>	BM-5		

#### poly-v belts



1



<b>Part No.</b>	697367	<b>Ref. No.</b>	6052520
<b>description</b>	poly-v belt grooves 8 W 16mm L 330mm profile TB2		
<b>For models:</b>	GC-275		

## springs

### gas tension springs

#### gas tension springs



1

<b>Part No.</b>	701576	<b>Ref. No.</b>	2141581 2142331 2149533
<b>description</b>	gas tension spring for vacuum packing machine 395N D1 ø 15.8mm D2 ø 6mm hole distance 145mm hole ø 6mm L 160mm		
<b>For models:</b>	SV-204T, SV-204T-120V, SV-306T, SV-306T-120V, SV-308T, SV-308T-120V, SV-310S, SV-310S-120V, SV-310T, SV-310T-120V, SV-408T, SV-410S, SV-410S-120V, SV-410T, SV-410T-120V, SV-418T, SV-420S, SV-420S-120V, SV-420T, SV-420T-120V, SV-520S, SV-520S-120V, SV-520T, SV-520T-120V, V-402SG, V-402T, V-410SG, V-410T, V-421SG, V-421T, V-426SG, V-426T		

#### tension springs



1

<b>Part No.</b>	701129	<b>Ref. No.</b>	2310609 2319432
<b>description</b>	tension spring ø 38mm total length 570mm wire gauge ø 5mm for hood		
<b>For models:</b>	P-100, S-100, S-120, SC-1100, SC-1200, SL-1100B, SL-1100BP, SL-1200B, SL-1200BP, SL-900		

## dosing pumps

### peristaltic dosing pumps






#### GERMAC

#### built-in version

#### with frequency control



1

<b>Part No.</b>	361620	<b>Ref. No.</b>	2310293	
<b>description</b>	dosing pump GERMAC frequency control 2.5l/h 230VAC detergent hose ø 4x6mm hose thermoplastic type G252 dimensions 62x70x-93mm			
<b>For models:</b>	SC-1100, SC-1200, SL-290B, SL-350B, SL-550B, SL-550BP, SP-23, SP-23B, SP-290, SP-350, SP-550, SP-550B, SP-800, SU-600, SU-750, SV-18, SV-18H, SV-19, SV-20, SV-21, SV-21B			
<b>spare parts for</b>	361620			
	<b>Part No.</b>	361263	<b>Ref. No.</b>	—
	roller assembly GERMAC suitable for G80/82/150/152/200/202/250/252/600			
	<b>Part No.</b>	361554	<b>Ref. No.</b>	—
	pump hose GERMAC detergent hose type thermoplastic hose ø 5x8mm for model G200/G250/G252			
	<b>Part No.</b>	361556	<b>Ref. No.</b>	—
	control PCB type G82/G152/G202/G252 GERMAC			
<b>accessories for</b>	361620			
	<b>Part No.</b>	520090	<b>Ref. No.</b>	—
	PVC hose ID ø 4mm ED ø 6mm L 2m thickness 1mm t.max. 60°C transparent			
	<b>Part No.</b>	520091	<b>Ref. No.</b>	—
	nylon hose ID ø 4mm ED ø 6mm L 2m thickness 1mm operating p. 10bar burst p. 50bar t.max. 100°C transparent			

### membrane dosing pumps

#### self-priming with supporting pressure

#### GERMAC

#### type 2000



1












<b>Part No.</b>	361547	<b>Ref. No.</b>	N/A	
<b>description</b>	dosing pump type 2000 rinse aid inlet 4x6mm outlet 8mm suction connection ø PVC 4x6mm supporting pressure M12x1 rebound ball PTFE 1mm GERMAC CODE VNR/D1			
<b>spare parts for</b>	361547			
	<b>Part No.</b>	361550	<b>Ref. No.</b>	—
	hose connector hose ø 4x6mm			

Table continues overleaf



spare parts for		361547		
Part No.	361551	Ref. No.	—	
	compression spring	wire gauge	ø 1mm	
Part No.	361701	Ref. No.	—	
	hose connector	thread M10x1	grommet ø 7.5mm	
Part No.	361705	Ref. No.	—	
	gasket	for hose connector	M12x1	
Part No.	510298	Ref. No.	—	
	lip valve	dosing pump suitable for	DB2/DS5	
accessories for		361547		
Part No.	361553	Ref. No.	—	
	membrane	EPDM		
Part No.	361702	Ref. No.	—	
	hose connector	brass hose	ø 4x6mm	
Part No.	361703	Ref. No.	—	
	hose connector	thread M10x1	brass pipe connection ø 4x6mm	
Part No.	361704	Ref. No.	—	
	hose connector	brass straight thread	M12x1 hose ø 11mm Qty 1 pcs	
Part No.	510296	Ref. No.	—	
	membrane	silicone		
Part No.	520022	Ref. No.	—	
	PVC hose	ID ø 8mm ED ø 12mm L 10m	thickness 2mm t.max. 60°C transparent	


## hoses


### supply hoses

#### PVC supply hoses

	1			
Part No.	520010	Ref. No.	2309745	
description	supply hose	PVC straight-curved DN13 connections 3/4" L 1500mm operating p. 10bar burst p. 32bar t.max. 90°C blue approval VDE flat seal		
For models:	E-18, E-19, LVT-18, LVT-18A, LVT-18H, LVT-19, P-35, P-41, P-50, S-20, S-21, S-23, S-41, S-50, S-60, SB-22, SB-23, SL-18, SL-19, SL-19D, SL-20, SL-20D, SL-20E, SL-21, SL-21B, SL-21BD, SL-21D, SL-22, SL-22B, SL-22BD, SL-22D, SL-23, SL-23B, SL-23BP, SL-290B, SL-300, SL-350B, SL-360, SL-550, SL-550B, SL-550BP, SL-560, SL-650C, SL-650C-USA, SP-23, SP-23B, SV-18, SV-18H, SV-19, SV-20...(Other models you can see in the webshop)			
accessories for		520010		
Part No.	520053	Ref. No.	—	
	screen	connection 3/4" D1 ø 26mm D2 ø 15mm	Qty 10 pcs rubber thickness 8mm	
Part No.	520054	Ref. No.	—	
	flat gasket	rubber ED ø 23.5mm ID ø 14mm	thickness 2.3mm Qty 10 pcs	



### drain hoses


	1			
Part No.	530608	Ref. No.	2305113	
description	drain hose	DN24 L 1500mm A int. ø 24mm A ext. ø 28mm B int. ø 28mm B ext. ø 35mm	outer hose ø 29mm temp.-resist. 90°C	
For models:	E-18, E-19, E-300, LV-290, LV-350, LV-550, LV-750, LV-750A, LVT-18, LVT-18A, LVT-18H, LVT-19, S-20, S-21, S-23, S-290, S-350, S-550, S-750, S-750A, SB-22, SB-23, SB-290, SB-350, SB-550, SB-750, SB-750A, SC-1100, SC-1200, SL-1100B, SL-1100BP, SL-1200B, SL-1200BP, SL-900, SP-23, SP-23B, SP-290, SP-350, SP-550, SP-550B, SP-800, SU-600, SU-750, SV-18, SV-18H, SV-19, SV-20, SV-21, SV-21B			

	1			
Part No.	530571	Ref. No.	2305114 2319227	
description	drain hose	DN24 L 1500mm straight ø inside 24mm straight ext. ø 29mm elbow ø inside 29mm elbow ext. ø 35mm	outer hose ø 28mm	
For models:	P-100, P-35, P-41, P-50, S-100, S-120, S-41, S-50, S-60, SL-18, SL-19, SL-19D, SL-20, SL-20D, SL-20E, SL-21, SL-21B, SL-21BD, SL-21D, SL-22, SL-22B, SL-22BD, SL-22D, SL-23, SL-23B, SL-23BP, SL-24, SL-290B, SL-300, SL-350B, SL-360, SL-550, SL-550B, SL-550BP, SL-560, SL-650C, SL-650C-USA, SL-800B, SL-810, X-100, X-120, X-35, X-40, X-41, X-45, X-50, X-60, X-80			

### formed hoses

#### straight


	1			
Part No.	524719	Ref. No.	2310294 (old Version)	
description	formed hose	hose ext. ø 40mm hose int. ø 30mm L 65mm	warewashing black Qty 1	
accessories for		524719		
	Part No.	500961	Ref. No.	4309102 old version
drain pump inlet ø 30mm outlet ø 23mm 100W 230V 50Hz GRE				

1


<b>Part No.</b>	530426	<b>Ref. No.</b>	2310294
<b>description</b>	formed hose L 66mm		
<b>For models:</b>	P-100, P-35, P-41, S-100, S-120, SC-1100, SC-1200, SL-1100B, SL-1100BP, SL-1200B, SL-1200BP, SL-18, SL-19, SL-19D, SL-20, SL-20D, SL-20E, SL-21BD, SL-21D, SL-22, SL-22B, SL-22BD, SL-22D, SL-23, SL-23B, SL-23BP, SL-290B, SL-350B, SL-550B, SL-550BP, SL-650C, SL-650C-USA, SL-800B, SL-900, SP-23, SP-23B, SP-290, SP-350, SP-550, SP-550B, SP-800, SV-20, SV-21, SV-21B, X-100, X-120, X-35, X-40		

form L



1

<b>Part No.</b>	524733	<b>Ref. No.</b>	2306521 2309655
<b>description</b>	formed hose end piece A ext. $\phi$ 38mm end piece A int. $\phi$ 26mm AD2 $\phi$ 38mm $\phi$ end piece B 26mm L 135mm Qty 1 warewashing L-shape		
<b>For models:</b>	E-19, LVT-19, S-20, S-21, S-23, SB-22, SB-23, SP-23, SP-23B, SV-19, SV-20, SV-21, SV-21B		



1

<b>Part No.</b>	524752	<b>Ref. No.</b>	2313379 2319270
<b>description</b>	formed hose end piece A ext. $\phi$ 48mm end piece A int. $\phi$ 38mm AD2 $\phi$ 41mm $\phi$ end piece B 29mm L 120mm Qty 1 warewashing L-shape		
<b>For models:</b>	S-41, SL-20D, SL-21, SL-21B, SL-21BD, SL-21D, SL-22, SL-22B, SL-22BD, SL-22D, SL-23, SL-23B, SL-23BP, SL-24, X-41		



1

<b>Part No.</b>	524751	<b>Ref. No.</b>	2309741
<b>description</b>	formed hose end piece A ext. $\phi$ 58mm end piece A int. $\phi$ 44mm AD2 $\phi$ 44mm $\phi$ end piece B 26mm L 135mm Qty 1 warewashing L-shape		
<b>For models:</b>	E-19, S-20, S-21, SV-19, SV-20, SV-21, SV-21B		



1

<b>Part No.</b>	524726	<b>Ref. No.</b>	2309866
<b>description</b>	formed hose end piece A ext. $\phi$ 73mm end piece A int. $\phi$ 60mm AD2 $\phi$ 75mm $\phi$ end piece B 63mm L 275mm warewashing L-shape Qty 1 black		
<b>For models:</b>	LV-1100, LV-1200, SC-1100, SC-1200		

with branch



1

<b>Part No.</b>	524738	<b>Ref. No.</b>	2310620 2319404
<b>description</b>	formed hose ID $\phi$ 35/47mm ED $\phi$ 49/64mm L 395mm wash pipe with piggyback warewashing black		
<b>For models:</b>	P-100, S-100, S-120, SC-1100, SC-1200, SL-1100B, SL-1100BP, SL-1200B, SL-1200BP, SL-900, ST-1400, X-100, X-120		

form S




1

<b>Part No.</b>	517711	<b>Ref. No.</b>	2307509 2310106
<b>description</b>	formed hose hose ext. $\phi$ 42/37mm hose int. $\phi$ 29/22mm L 400mm S-shape		
<b>For models:</b>	P-41, P-50, S-100, S-120, S-23, S-290, S-350, S-41, S-50, S-550, S-60, S-750, S-750A, SB-22, SB-23, SB-290, SB-350, SB-550, SB-750, SB-750A, SC-1100, SC-1200, SL-1100B, SL-1100BP, SL-1200B, SL-1200BP, SL-20, SL-20D, SL-21, SL-21B, SL-21BD, SL-21D, SL-22, SL-22B, SL-22BD, SL-22D, SL-23, SL-23B, SL-23BP, SL-290B, SL-350B, SL-360, SL-550, SL-550B, SL-550BP, SL-560, SL-650C, SL-650C-USA, SL-800B, SL-810...(Other models you can see in the webshop)		



form U




1

<b>Part No.</b>	524739	<b>Ref. No.</b>	2309146
<b>description</b>	formed hose ext. ø 38 L 600mm warewashing black Qty 1 U-shape		
<b>For models:</b>	E-300, P-50, S-290, S-350, S-41, S-50, S-550, S-60, S-750, SB-290, SB-350, SB-550, SB-750, SL-290B, SL-300, SL-350B, SL-360, SL-550, SL-550B, SL-550BP, SL-560, SL-650C, SL-650C-USA, SP-290, SP-350, SP-550, SP-550B, X-41, X-45, X-60, X-80		

## fittings, hose and pipe connectors


### hose connectors

#### without screw connection



1

<b>Part No.</b>	510842	<b>Ref. No.</b>	2309583
<b>description</b>	T-piece plastic hose ø 13-13-13mm 3-way		
<b>For models:</b>	E-1000, E-18, E-19, E-300, LV-1100, LV-1200, S-100, S-120, S-290, S-350, S-41, S-50, S-550, S-750, S-750A, SB-290, SB-350, SB-550, SB-750, SB-750A, SC-1100, SC-1200, SL-1100B, SL-1100BP, SL-1200B, SL-1200BP, SL-18, SL-19, SL-19D, SL-20, SL-20D, SL-20E, SL-21, SL-21B, SL-21BD, SL-21D, SL-22, SL-22B, SL-22BD, SL-22D, SL-23, SL-23B, SL-23BP, SL-24, SL-290B, SL-300, SL-350B, SL-360, SL-550, SL-550B...(Other models you can see in the webshop)		




1

<b>Part No.</b>	516103	<b>Ref. No.</b>	4309192
<b>description</b>	manifold plastic hose ø 12-12-12-12mm 4-way		
<b>For models:</b>	LVT-18, LVT-18A, LVT-18H, S-21, S-23, S-41, SB-22, SB-23, SL-20, SL-20D, SL-21, SL-21B, SL-21BD, SL-21D, SL-22, SL-22B, SL-22BD, SL-22D, SL-23, SL-23B, SL-23BP, SP-23, SP-23B, SV-18, SV-18H, SV-20, SV-21, SV-21B, X-35, X-40, X-41		

## fastening material

### screws

#### knurled screws




1

<b>Part No.</b>	505271	<b>Ref. No.</b>	2305089 2309077
<b>description</b>	Thumb screw thread M8 thread L 4mm ø 28mm H 3mm SS Qty 2 pcs		
<b>For models:</b>	E-1000, E-18, E-19, E-300, LV-1100, LV-1200, LV-290, LV-350, LV-550, LV-750, LV-750A, LVT-18, LVT-18A, LVT-18H, P-35, P-41, P-50, S-20, S-21, S-23, S-290, S-350, S-41, S-50, S-550, S-60, S-750, S-750A, SB-22, SB-23, SB-290, SB-350, SB-550, SB-750, SB-750A, SC-1100, SC-1200, SL-1100B, SL-1100BP, SL-1200B, SL-1200BP, SL-18, SL-19, SL-19D, SL-20, SL-20D, SL-20E, SL-21, SL-21B, SL-21BD...(Other models you can see in the webshop)		

## consumables

### fuses

#### fine fuses



1

<b>Part No.</b>	358600	<b>Ref. No.</b>	2140423 2149131
<b>description</b>	fine fuse size ø5x20mm 1A slow-acting rated 250V Qty 10 pcs		
<b>For models:</b>	ST-1400, ST-1700, ST-2200, ST-2800, ST-3000, ST-3500, SV-604CCS, SV-604CCT, SV-604S, SV-604T, SV-606CCS, SV-606CCT, SV-606S, SV-606T, SV-806LLS, SV-806LLT, SV-806S, SV-806T, SV-810LLS, SV-810LLT, SV-810S, SV-810T, V-401SGA, V-401T, V-402SG, V-402T, V-410SG, V-410T, V-420SA, V-420SGA, V-420T, V-421SG, V-421T, V-425SGA, V-426SG, V-426T, V-640SA, V-640SGA, V-640T, V-641SG, V-641SGA, V-641T, V-820LLSGA, V-820SGA, V-820T, V-821LLSG, V-821SG, V-821T		

**GASTRO**PARTS.COM

