

RSI

- [EN]** Equipment
- [DE]** Geräte
- [ES]** Aparatos
- [FR]** Équipement
- [IT]** Attrezzature
- [PL]** Urządzenia
- [RU]** Оборудование

✉ gastroparts@gastroparts.com

☎ tel. +48 56 657 00 66

📘 fb.com/gastroparts.global

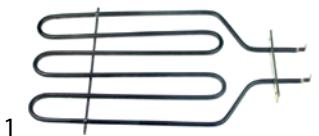
GASTROPARTS.COM







heating elements


heating elements for ovens


			
Part No.	416855	Ref. No.	30008373
description	heating element 2300W 230V heating circuits 1 L 345mm W 213mm L1 33mm L2 42mm W1 70mm W2 68mm flange length 130mm flange width 16mm hole distance 104mm hole ø 3mm tube ø 6.3mm connection male faston 6.3mm connection length 48mm rectangular flange dry heating element L3 270mm		

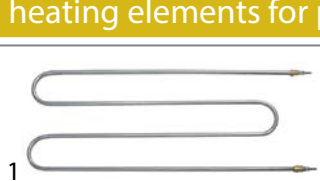
			
Part No.	416844	Ref. No.	30008010
description	heating element 900W 230V L 185mm W 247mm W1 80mm W2 100mm tube ø 6.3mm connection cable connection length 18mm cable length 600mm windings 3 H 6.3mm		


heating elements for contact grills






			
Part No.	416845	Ref. No.	30008059
description	heating element 1100W 230V L 208mm W 220mm H 25mm tube ø 6.5mm connection distance 65mm cable length 500mm dry heating element heating circuits 1		


			
Part No.	416854	Ref. No.	30008014
description	heating element 900W 230V L 210mm W 170mm H 20mm W1 55mm W2 60mm tube ø 6.3mm windings 3 cable length 250mm dry heating element		

			
Part No.	416853	Ref. No.	30008015
description	heating element 1100W 230V L 210mm W 250mm W1 70mm W2 110mm tube ø 6.3mm cable length 200mm dry heating element windings 3 H 6.3mm		

			
Part No.	416847	Ref. No.	30008049
description	heating element 1000W 230V dry heating element 2 hole fixing pizza oven		

			
Part No.	416843	Ref. No.	30008009
description	heating element 650W 230V L 172mm W 162mm W1 70mm W2 40mm tube ø 6.5mm connection cable cable length 550mm dry heating element windings 3		

			
Part No.	416848	Ref. No.	30008062
description	heating element 800W 230V L 445mm W 195mm thread 1/4" mounting distance 186mm connection length 15mm connection M4 tube ø 8.5mm heating circuits 1 dry heating element 2 hole fixing		
accessories for	416848		
	Part No.	361182	Ref. No. —
	nut thread 1/4" H 5mm nickel-plated brass WS 17 Qty 1 pcs		
	Part No.	510417	Ref. No. —
	flat gasket fibre ED ø 20mm ID ø 14mm thickness 2mm Qty 1 pcs		
	Part No.	520228	Ref. No. —
	tooth lock washer ID ø 15.3mm ED ø 24mm steel Qty 1 pcs for thread M14		
	Part No.	550262	Ref. No. —
	flat gasket copper ED ø 20mm ID ø 14mm thickness 2mm		

			
Part No.	416849	Ref. No.	30008013
description	heating element 800W 230V L 170mm W 167mm H 33mm W1 26mm W2 115mm connection length 30mm tube ø 6.3mm windings 3 cable length 260mm dry heating element		



quartz heating elements

1 

Part No.	416858	Ref. No.	30008462
description	quartz heating element 420W 115V L 380mm ø 10mm connection male faston 6.3mm		

hot plates

round


with radiused edge

for domestic and commercial kitchens



Part No.	490020	Ref. No.	30008302
description	hot plate ø 220mm 2600W 230V connection 4 screw clamps with 8mm spill ring		

accessories for 490020

	Part No.	550796	Ref. No.	—
	fixing plate for hot plate ø220mm			

thermostats

bi-metal thermostats

safety bi-metal thermostats



Part No.	390100	Ref. No.	30008265
description	bi-metal safety thermostat hole distance 23.5mm switch-off temp. 110°C 1NC 1-pole 16A connection F6.3 mounting ø 16mm		

control and safety thermostats

EGO

control thermostats

55.13_ series

1 

Part No.	375505	Ref. No.	30008099
description	thermostat t.max. 320°C temperature range 50-320°C 1-pole 1NO 16A probe ø 3mm probe L 160mm capillary pipe 870mm capillary pipe isolatedmm gland nut shaft ø 6x4.6mm shaft L 23mm shaft position upper rotation 270°		

1 

Part No.	375530	Ref. No.	30008101
description	thermostat t.max. 400°C temperature range 100-400°C 1-pole 1NO 16A probe ø 3.9mm probe L 163mm capillary pipe 830mm capillary pipe isolatedmm gland nut shaft ø 6x4.6mm shaft L 23mm shaft position upper rotation 270°		

CAEM

control thermostats



Part No.	375419	Ref. No.	30008288
description	thermostat t.max. 300°C temperature range 50-300°C 1-pole 1NO 16A probe ø 5mm probe L 90mm capillary pipe 890mm rotation 270°		



refrigeration thermostats

miscellaneous producers



Part No.	390481	Ref. No.	30008404
description	thermostat		

switches and momentary switches

rocker/momentary rocker switches

30x22mm



Part No.	301101	Ref. No.	30008385
description	rocker switch mounting measurements 30x22mm white 2CO 250V 16A connection male faston 6.3mm ambient temperature max. 100/55°C protection IP40		

blank



Part No.	301005	Ref. No.	30008367+30008315
description	rocker switch mounting measurements 30x22mm red 2NO 250V 16A illuminated connection male faston 6.3mm ambient temperature max. 125/55°C protection IP65 with protecting cover		

accessories for 301005



Part No.	301036	Ref. No.	—
description	protective cover internal size 30x22mm for rocker switch mounting measurementsmm		

cam switches

7-position



Part No.	300031	Ref. No.	30008088
description	cam switch 7 operating positions 1NO/2CO sequence 0-1-2-3-4-5-6 16A shaft ø 6x4.6mm shaft L 23mm connection male faston 6.3mm 7-position plastic		

lamps

indicator lights

indicator lights (complete)

ø10mm

with plug-in socket



Part No.	359315	Ref. No.	30008091
description	indicator light ø 10mm 230V green cable length 250mm		

linear lamps

halogen lamps



Part No.	359305	Ref. No.	030008380
description	halogen lamp socket R7s L 78.3mm 230V 60W IMPORT		

fluorescent lamps

accessories

sockets



Part No.	359662	Ref. No.	30008413
description	lamp socket for fluorescent lamps		

oven lamps

universal oven lamps

mounting diameter 35.5mm



Part No.	359718	Ref. No.	30003005+30008380
description	oven lamp mounting ø 35.5mm 230V 15W socket E14 temp.-resist. 300°C connection male faston 6.3mm hard glas		

spare parts for 359718



Part No.	359701	Ref. No.	—
description	lamp socket socket E14 220-230V mounting ø 35.5mm connection male faston 6.3mm 15W		



Part No.	359740	Ref. No.	—
description	light bulb t.max. 300°C socket E14 15W 230V ø 22mm L 48mm lens L 20mm for oven lamp IMPORT		



timers

programme timers



1

Part No.	400740	Ref. No.	30008162
description	timer		

1

Part No.	360152	Ref. No.	30008463
description	timer with permanent position 2-pole NO for B1 operation time 120min		

keypads

front foils



1

Part No.	400689	Ref. No.	Tastaturfolie
description	keypad foil		

keypad units



1

Part No.	400993	Ref. No.	30008162
description	PCB		

fans

refrigeration fans

cooling motors (complete)



1

Part No.	601145	Ref. No.	30057021+30008514
description	fan 230V 10W		


cross flow fans

COPREL

with standard coil



1

Part No.	601453	Ref. No.	30008386	
description	cross flow fan TFR 180 roller ø 60mm roller length 180mm laminated core thickness 16mm motor position right 230V/50-60Hz 17W universal bearing silicone connection male faston 6.3mm airflow 100m ³ /h -30 up to +100°C 230V 50Hz			
accessories for	601453			
	Part No.	415114	Ref. No.	—
	heater battery mounting distance 185mm W 40mm H 35mm 2000W 230V temperature restriction 105°C heating circuits 2 connection cable cable length 150mm L 192mm for cross flow fan			

electric accessories

terminals

terminal blocks



1

Part No.	693220	Ref. No.	30008125
description	lustre terminal 12-pole cross section 4mm ² max. 32A max 750V temp.-resist. 150°C		



gas nozzles

main nozzles

gas nozzles (other)



1

Part No.	101942	Ref. No.	51123010
description	gas injector thread M6x1 natural gas WS 10 bore ø 1.25mm		



1

Part No.	100999	Ref. No.	51123009
description	gas injector LPG		

equipment-specific units

for hot dog machines

water containers



1

Part No.	693169	Ref. No.	42233034
description	water container for hot dog machine ø 205mm H 65mm		

for pizza ovens

firebricks



1

Part No.	850015	Ref. No.	30018013
description	firebrick L 620mm W 305mm H 25mm delivery freight forwarding company only		

for rechauds

warming plates

warming plates



1

Part No.	693132	Ref. No.	52239001
description	warming plate plate size 280x155x8mm with handle suitable for PLA5/PLA12		

for saladettes

guide bars

1

Part No.	693176	Ref. No.	48234001
description	guide bar for saladette		

for dishwashers

hood mechanics for dishwashers

guide bars

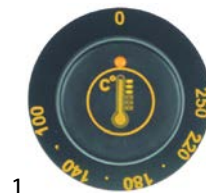
1

Part No.	693174	Ref. No.	58233013
description	guide bar		

knobs

producer-specific knobs


RSI



1

Part No.	111557	Ref. No.	30008460
description	knob thermostat t.max. 250°C ø 47mm shaft ø 6x4.6mm shaft flat upper black temperature range 100-250°C rotation 270°		



			
1			
Part No.	111558	Ref. No.	30008466
description	knob time 120min ø 47mm shaft ø 6x4.6mm shaft flat upper black		

handles and hand wheels


cylindrical handles

fixed

			
1			
Part No.	693170	Ref. No.	30012157
description	cylindrical handle for lid		


folding grill handles


1			
Part No.		Ref. No.	40212006
description	folding grill handle		


			
1			
Part No.	693253	Ref. No.	40212002
description	folding grill handle		

equipment feet and end caps

screw-in feet

			
1			
Part No.	693204	Ref. No.	47122001
description	equipment foot hot bar		

			
1			
Part No.	693133	Ref. No.	30012167
description	equipment foot thread M10 saladette		

			
1			
Part No.	693139	Ref. No.	30012162 55122002
description	equipment foot thread M8 BETA I/II		

baskets


miscellaneous


1			
Part No.	693209	Ref. No.	30048022V
description	basket without bottom		

shelves and shelf rails

grates

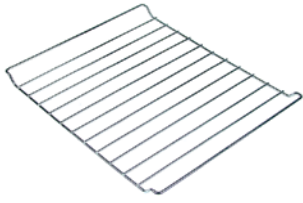
producer-specific

			
1			
Part No.	210198	Ref. No.	30048044
description	chargrill grid W 245mm D 346mm chrome-plated steel		

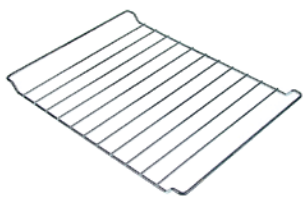
1

Part No.	210200	Ref. No.	30048019
description	chargrill grid W 250mm D 315mm		



1

Part No.	210197	Ref. No.	30048042
description	chargrill grid W 290mm D 357mm chrome-plated steel		



1

Part No.	210199	Ref. No.	30048043
description	chargrill grid W 290mm D 397mm chrome-plated steel		

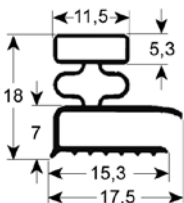
gaskets

refrigeration gaskets

screw-in gaskets

profile 9031

We offer custom-made gaskets for this profile



1

Part No.	900266	Ref. No.	30012200
description	refrigeration gasket profile 9031 W 440mm L 600mm external size		


gaskets for heated units

door seals

1


Part No.		Ref. No.	30012072
description	door seal		

door seals with fixing hook




1

Part No.	900264	Ref. No.	30044013
description	door seal W 360mm with mounting clip H 225mm		



1

Part No.	900265	Ref. No.	30044015
description	door seal W 405mm long side open with mounting clip H 245mm		

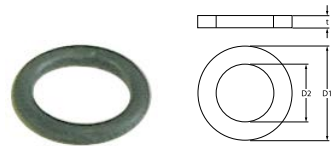


1

Part No.	900393	Ref. No.	30004007
description	oven gasket L 330mm W 420mm external size		

O-rings

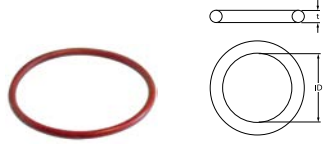
EPDM



1

Part No.	528223	Ref. No.	30010237
description	O-ring EPDM thickness 2.62mm ID ø 11.91mm Qty 1 pcs		

silicone

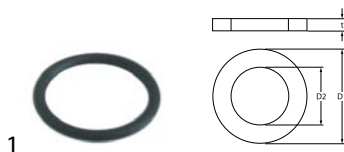


1

Part No.	361621	Ref. No.	30010111
description	O-ring silicone thickness 3.53mm ID ø 56.74mm Qty 1 pcs		



Viton



1

Part No.	532504	Ref. No.	30010104
description	O-ring Viton thickness 2.62mm ID ø 20.24mm Qty 1 pcs		

special gaskets

miscellaneous

1

Part No.		Ref. No.	30012114
description	gasket ED ø 32mm ID ø 21mm		

1

Part No.		Ref. No.	30012105
description	gasket gasket holder ED ø 65mm ID ø 26mm		

springs

compression springs

1

Part No.		Ref. No.	30014007
description	compression spring ø 26mm L 63mm wire gauge ø 1.8mm		



1

Part No.	693936	Ref. No.	Druckfeder ø 8,6mm L
description	compression spring ø 8.6mm L 23mm wire gauge ø 0.7mm		

tension springs



1

Part No.	693175	Ref. No.	30014013
description	tension spring total length 330mm		

kitchen accessories

gastronorm

bridges



1

Part No.	693210	Ref. No.	47233076
description	bridge for Gastronorm container		

1

Part No.	693218	Ref. No.	47233173
description	bridge for Gastronorm container		

baking sheets



1

Part No.	693167	Ref. No.	55272001
description	baking sheet suitable for BETA I/II		

fastening material

screws

miscellaneous

1

Part No.		Ref. No.	30012033
description	screw plastic		

washers

washers

miscellaneous

1

Part No.		Ref. No.	54236004
description	disc		

GASTROPARTS.COM

