



**GASTROPARTS**

# Roka

- [EN]** Equipment
- [DE]** Geräte
- [ES]** Aparatos
- [FR]** Équipement
- [IT]** Attrezzature
- [PL]** Urządzenia
- [RU]** Оборудование

✉ [gastroparts@gastroparts.com](mailto:gastroparts@gastroparts.com)

☎ tel. +48 56 657 00 66

📘 [fb.com/gastroparts.global](https://fb.com/gastroparts.global)


**GASTROPARTS.COM**













## heating elements


### heating elements for bain maries


			
<b>Part No.</b>	415323	<b>Ref. No.</b>	8900322
<b>description</b>	heating element 1600W 230V heating circuits 1 L 383mm W 96mm flange length 45mm flange width 12mm hole distance 36mm tube ø 6.3mm cable length 290mm rectangular flange hole ø M5mm dry heating element L1 14mm L2 369mm W1 72mm W2 24mm		

			
<b>Part No.</b>	415669	<b>Ref. No.</b>	14997 8900324
<b>description</b>	heating element 2000W 230V heating circuits 1 L 452mm W 256mm connection male faston 6.3mm tube ø 6.3mm 2 hole fixing thread M10x1 immersion heater W1 59mm W2 138mm H 16mm mounting distance 132mm		
<b>accessories for</b>	415669		
	<b>Part No.</b>	510902	<b>Ref. No.</b> —
	O-ring EPDM thickness 2mm ID ø 9.5mm Qty 1 pcs		

			
<b>Part No.</b>	415675	<b>Ref. No.</b>	14181 8900342
<b>description</b>	heating element 2000W 230V L 250mm W 100mm connection male faston 6.3mm tube ø 8.5mm 2 hole fixing thread M14x1.5 immersion heater H 26mm mounting distance 92mm		

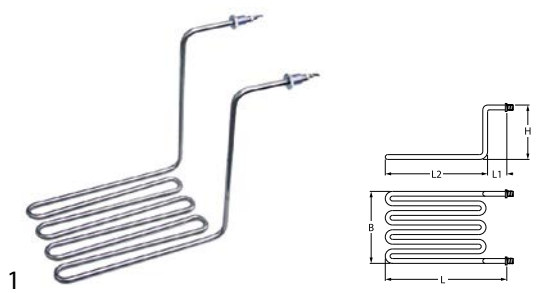
			
<b>Part No.</b>	415375	<b>Ref. No.</b>	10982 8900341
<b>description</b>	heating element 3000W 230V L 257mm W 165mm connection male faston 6.3mm tube ø 8.5mm 2 hole fixing thread M14x1.5 immersion heater H 28mm mounting distance 158mm		
<b>accessories for</b>	415375		
	<b>Part No.</b>	510417	<b>Ref. No.</b> —
	flat gasket fibre ED ø 20mm ID ø 14mm thickness 2mm Qty 1 pcs		
	<b>Part No.</b>	520228	<b>Ref. No.</b> —
	tooth lock washer ID ø 15.3mm ED ø 24mm steel Qty 1 pcs for thread M14		
	<b>Part No.</b>	520230	<b>Ref. No.</b> —
	nut thread M14x1.5 H 5mm WS 19 zinc-coated steel Qty 1 pcs		
	<b>Part No.</b>	521101	<b>Ref. No.</b> —
	nut thread M14x1.5 H 5mm WS 19 SS Qty 1 pcs		

<b>accessories for</b>	415375		
	<b>Part No.</b>	550262	<b>Ref. No.</b> —
	flat gasket copper ED ø 20mm ID ø 14mm thickness 2mm		

			
<b>Part No.</b>	415672	<b>Ref. No.</b>	13653 8900325
<b>description</b>	heating element 3000W 230V L 452mm W 254mm connection 6.3 tube ø 6.3mm 2 hole fixing thread M10x1 immersion heater W1 60mm W2 136mm H 20mm mounting distance 130mm		

### heating elements for fryers

#### 2 hole fixing

			
<b>Part No.</b>	415365	<b>Ref. No.</b>	8900332 8900332, 215mm
<b>description</b>	heating element 3300W 220V heating circuits 1 L 310mm W 170mm H 215mm L1 70mm L2 240mm mounting pos. outer thread M14x1.5 mounting distance 162mm tube ø 8.5mm windings 4 2 hole fixing connection male faston 6.3mm		

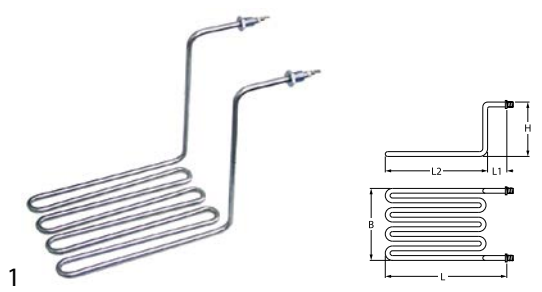





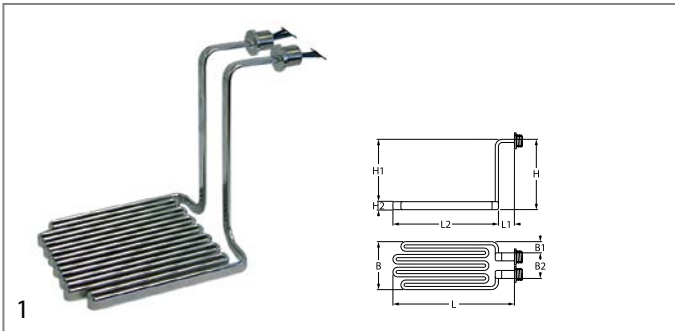
			
<b>Part No.</b>	415366	<b>Ref. No.</b>	8900332 8900332, 235mm
<b>description</b>	heating element mounting pos. inner 3300W 220V heating circuits 1 L 325mm W 175mm H 240mm L1 82mm L2 245mm thread M14x1.5 mounting distance 156mm tube ø 8.5mm windings 4 2 hole fixing connection male faston 6.3mm connection length 35mm immersion heater		
<b>accessories for</b>	415366		
	<b>Part No.</b>	510417	<b>Ref. No.</b> —
	flat gasket fibre ED ø 20mm ID ø 14mm thickness 2mm Qty 1 pcs		
	<b>Part No.</b>	520228	<b>Ref. No.</b> —
	tooth lock washer ID ø 15.3mm ED ø 24mm steel Qty 1 pcs for thread M14		
	<b>Part No.</b>	520230	<b>Ref. No.</b> —
	nut thread M14x1.5 H 5mm WS 19 zinc-coated steel Qty 1 pcs		
	<b>Part No.</b>	521101	<b>Ref. No.</b> —
	nut thread M14x1.5 H 5mm WS 19 SS Qty 1 pcs		




Table continues overleaf

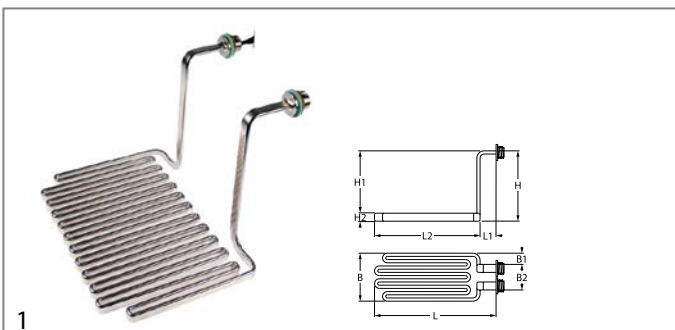


accessories for	415366			
	Part No.	550262	Ref. No.	—
	flat gasket copper ED $\phi$ 20mm ID $\phi$ 14mm thickness 2mm			




Part No.	415792	Ref. No.	8900350
description	heating element 6000W 230/400V heating circuits 3 L 290mm W 198mm H 245mm L1 65mm L2 225mm W1 62mm W2 74mm H1 228mm H2 17mm cable length 140mm 2 hole fixing thread 3/4" connection cable fryer heaters		


accessories for	415792			
	Part No.	510403	Ref. No.	—
	flat gasket fibre ED $\phi$ 36.5mm ID $\phi$ 27mm thickness 2mm Qty 1 pcs			
	Part No.	510421	Ref. No.	—
	gasket copper ED $\phi$ 31.8mm ID $\phi$ 26.4mm thickness 2.2mm for thread 3/4"			
	Part No.	520234	Ref. No.	—
	nut thread 3/4" H 5mm brass WS 30 Qty 1 pcs			




Part No.	418237	Ref. No.	8900351
description	heating element 9900W 400V heating circuits 3 L 326mm W 342mm H 242mm L1 68mm L2 248mm W1 65mm W2 213mm H1 225mm H2 17mm connection length 32mm cable length 135mm 2 hole fixing thread M26x1.5 mounting distance 196mm immersion heater		

### heating elements for chargrills



1			
Part No.	415676	Ref. No.	8900326
description	heating element 400W 230V heating circuits 1 L 465mm W 8.5mm H 8.5mm dry heating element connection M4 tube $\phi$ 8.5mm		

1			
Part No.	418234	Ref. No.	8900323
description	heating element 1200W 230V heating circuits 1 L 385mm W 70mm L1 15mm W2 24mm flange length 46mm flange width 17mm hole distance 36mm connection length 55mm tube $\phi$ 6.5mm rectangular flange cable length 335mm thread M5 dry heating element		

### heating elements for heated cabinets


1			
Part No.	415323	Ref. No.	8900322
description	heating element 1600W 230V heating circuits 1 L 383mm W 96mm flange length 45mm flange width 12mm hole distance 36mm tube $\phi$ 6.3mm cable length 290mm rectangular flange hole $\phi$ M5mm dry heating element L1 14mm L2 369mm W1 72mm W2 24mm		

### heating elements for convection


1				
Part No.	418240	Ref. No.	8900327	
description	heating element 1300W 230V heating circuits 1 ID $\phi$ 194mm ED $\phi$ 207mm L 217mm H 28mm L1 10mm W1 31mm H1 10mm H2 19mm flange length 70mm flange width 22mm hole distance 56mm connection male faston 6.3mm connection length 37mm tube $\phi$ 6.3mm convection heating element hole $\phi$ 6.2mm rectangular flange			
accessories for	418240			
	Part No.	510368	Ref. No.	—
	gasket L 70mm W 23.5mm hole $\phi$ 5mm hole distance 56mm FIBER thickness 2mm for heating element			

### accessories

#### capillary tube clips

1			
Part No.	550004	Ref. No.	8900541
description	capillary tube clip for pipe $\phi$ 17x6mm for flat tube heating element		

#### clamps

1			
Part No.	550043	Ref. No.	8900521 8999998
description	probe clip for pipe $\phi$ 17x6mm for probe $\phi$ 6mm Qty 1 pcs		



thermostats

control and safety thermostats

EGO

control thermostats

55.13\_series



<b>Part No.</b>	375007	<b>Ref. No.</b>	8900202
<b>description</b>	thermostat t.max. 110°C temperature range 30-110°C 1-pole 1NO 16A probe ø 6mm probe L 113mm capillary pipe 870mm capillary pipe isolatedmm gland nut M9x1 shaft L 25mm shaft position upper rotation 270°		
<b>accessories for</b>	375007		
	<b>Part No.</b>	110119	<b>Ref. No.</b> —
	knob thermostat t.max. 110°C ø 50mm shaft ø 6x4.6mm shaft flat upper black temperature range 30-110°C rotation 270°		
	<b>Part No.</b>	110241	<b>Ref. No.</b> —
	knob thermostat t.max. 110°C ø 50mm shaft ø 6x4.6mm shaft flat upper black temperature range 30-110°C		

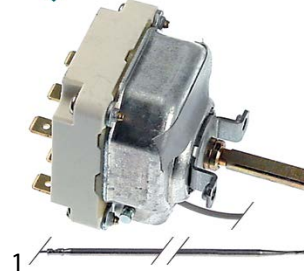


<b>Part No.</b>	375005	<b>Ref. No.</b>	8900203
<b>description</b>	thermostat t.max. 85°C temperature range 30-85°C 1-pole 1NO 16A probe ø 6mm probe L 92mm capillary pipe 830mm capillary pipe isolatedmm gland nut shaft L 23mm shaft position upper rotation 270° probe material SS		
<b>accessories for</b>	375005		
	<b>Part No.</b>	110109	<b>Ref. No.</b> —
	knob thermostat t.max. 85°C ø 60mm shaft ø 6x4.6mm shaft flat upper silver temperature range 30-85°C rotation 270°		
	<b>Part No.</b>	110133	<b>Ref. No.</b> —
	knob thermostat t.max. 85°C ø 50mm shaft ø 6x4.6mm shaft flat upper black temperature range 30-85°C rotation 270°		
	<b>Part No.</b>	110240	<b>Ref. No.</b> —
	knob thermostat t.max. 85°C ø 50mm shaft ø 6x4.6mm shaft flat upper black temperature range 30-85°C		

55.34\_series



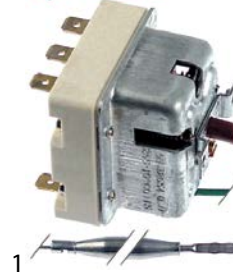
<b>Part No.</b>	375512	<b>Ref. No.</b>	8900210
<b>description</b>	thermostat t.max. 185°C temperature range 95-185°C 3-pole 3NO 16A probe ø 6mm probe L 133mm capillary pipe 2430mm capillary pipe isolated 1100mm gland nut M9x1 shaft ø 6x4.6mm shaft L 23mm shaft position upper rotation 270°		



<b>Part No.</b>	375693	<b>Ref. No.</b>	8900211
<b>description</b>	thermostat t.max. 250°C temperature range 48-250°C 3-pole 3NO 16A probe ø 3.1mm probe L 226mm capillary pipe 880mm capillary pipe isolated 850mm gland nut shaft ø 6x4.6mm shaft L 23mm shaft position upper rotation 318°		


safety thermostats

55.32\_series




<b>Part No.</b>	375694	<b>Ref. No.</b>	8900253
<b>description</b>	safety thermostat switch-off temp. 255°C 3-pole 20A probe ø 6mm probe L 77mm capillary pipe 1490mm capillary pipe isolated 1100mm gland nut probe SS		

accessories


probe clips			
clamps			
for thermostat			
			
1			
<b>Part No.</b>	550043	<b>Ref. No.</b>	8900521 8999998
<b>description</b>	probe clip for pipe ø 17x6mm for probe ø 6mm Qty 1 pcs		


capillary tube clips

			
1			
<b>Part No.</b>	550004	<b>Ref. No.</b>	8900541
<b>description</b>	capillary tube clip for pipe ø 17x6mm for flat tube heating element		

switches and momentary switches

cam switches

on/off			
			
1			
<b>Part No.</b>	300074	<b>Ref. No.</b>	8900301
<b>description</b>	cam switch 4 operating positions 2NO sequence 0-1-0-1 16A shaft ø 6x4.6mm shaft L 23mm connection male faston 6.3mm ceramic		




			
1			
<b>Part No.</b>	300021	<b>Ref. No.</b>	8900302
<b>description</b>	cam switch 4 operating positions 4NO sequence 0-1-0-1 16A shaft ø 6x4.6mm shaft L 23mm connection screw ceramic		

7-position

			
1			
<b>Part No.</b>	300025	<b>Ref. No.</b>	8900220
<b>description</b>	cam switch 7 operating positions 1NO/2CO sequence 0-1-2-3-4-5-6 16A shaft ø 6x4.6mm shaft L 23mm connection screw 7-position ceramic		
<b>accessories for</b>	300025		
	<b>Part No.</b>	112172	<b>Ref. No.</b> —
	knob universal ø 70mm black without adaptor/dial plate		
	<b>Part No.</b>	112213	<b>Ref. No.</b> —
	knob dial plate silver switch 7-position t.max.°C ED ø 63mm ID ø 45.5mm		
	<b>Part No.</b>	112311	<b>Ref. No.</b> —
	knob adapter shaft ø 6x4.6mm L 0mm with spring		


control equipment

lamps

			
1			
<b>Part No.</b>	359606	<b>Ref. No.</b>	8900425
<b>description</b>	neon light bulb socket Ba9s 220V 2W clear ø 10mm L 28mm		
<b>accessories for</b>	359606		
	<b>Part No.</b>	359832	<b>Ref. No.</b> —
	lamp socket mounting measurements ø16.2mm socket Ba9s connection male faston 6.3mm		
	<b>Part No.</b>	359853	<b>Ref. No.</b> —
	lamp socket mounting measurements ø18.2mm socket Ba9s connection male faston 6.3mm		

lamps

indicator lights

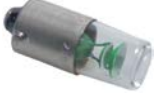


indicator lights 3-piece (housing, lens and bulb)			
ø18.2mm			
			
1			
<b>Part No.</b>	359855	<b>Ref. No.</b>	8900425
<b>description</b>	indicator light housings mounting measurements ø18.2mm socket Ba9s green		



1			
<b>Part No.</b>		<b>Ref. No.</b>	8900426
<b>description</b>	indicator light housings mounting measurements ø18.2mm socket Ba9s orange		




**lamps**

**neon light bulbs**

1 			
<b>Part No.</b>	359606	<b>Ref. No.</b>	8900425
<b>description</b>	neon light bulb socket Ba9s 220V 2W clear ø 10mm L 28mm		
<b>accessories for</b>	359606		
	<b>Part No.</b>	359832	<b>Ref. No.</b> —
	lamp socket mounting measurements ø16.2mm socket Ba9s connection male faston 6.3mm		
	<b>Part No.</b>	359853	<b>Ref. No.</b> —
	lamp socket mounting measurements ø18.2mm socket Ba9s connection male faston 6.3mm		

**screw-on/push-on fit**

**neon light bulbs**

1 			
<b>Part No.</b>	359606	<b>Ref. No.</b>	8900425
<b>description</b>	neon light bulb socket Ba9s 220V 2W clear ø 10mm L 28mm		
<b>accessories for</b>	359606		
	<b>Part No.</b>	359832	<b>Ref. No.</b> —
	lamp socket mounting measurements ø16.2mm socket Ba9s connection male faston 6.3mm		
	<b>Part No.</b>	359853	<b>Ref. No.</b> —
	lamp socket mounting measurements ø18.2mm socket Ba9s connection male faston 6.3mm		

**contactors**


**ISKRA (FANAL)**

**power contactors**


1 			
<b>Part No.</b>	380213	<b>Ref. No.</b>	8900310
<b>description</b>	power contactor resistive load 20A 230VAC (AC3/400V) 8.5A/5.5kW main contacts 3NO auxiliary contacts 1NO connection screw connection type Fanal DSL7 10 type ISKRA K07M 10		

**knobs**

**universal knobs**

1 			
<b>Part No.</b>	110116	<b>Ref. No.</b>	8900435
<b>description</b>	knob thermostat t.max. 110°C ø 60mm shaft ø 6x4.6mm shaft flat upper black temperature range 30-110°C rotation 270°		

**producer-specific knobs**

ROKA			
1 			
<b>Part No.</b>	110116	<b>Ref. No.</b>	8900435
<b>description</b>	knob thermostat t.max. 110°C ø 60mm shaft ø 6x4.6mm shaft flat upper black temperature range 30-110°C rotation 270°		

**baskets**

**fryer baskets**

ROKA			
1 			
<b>Part No.</b>	970441	<b>Ref. No.</b>	8900104
<b>description</b>	fryer basket L1 280mm W1 210mm H1 120mm		

**shelves and shelf rails**

**chargrill grids**

1 			
<b>Part No.</b>	211071	<b>Ref. No.</b>	8900580
<b>description</b>	chargrill grid		

**GASTRO**PARTS.COM

