

RGV

- [EN]** Equipment
- [DE]** Geräte
- [ES]** Aparatos
- [FR]** Équipement
- [IT]** Attrezzature
- [PL]** Urządzenia
- [RU]** Оборудование

✉ gastroparts@gastroparts.com

☎ tel. +48 56 657 00 66

📘 fb.com/gastroparts.global

GASTROPARTS.COM





switches and momentary switches

push/momentary push switches

30x22mm



1

Part No.	345712	Ref. No.	0000000296 00000700296
-----------------	--------	-----------------	---------------------------

description push switch mounting measurements 30x22mm red/green 2CO 250V 16A Stop / 1 connection male faston 6.3mm ambient temperature max. 85°C protection IP40 with indicator

For models: 250SCEV

accessories for 345712



Part No.	301127	Ref. No.	0000000285 285
-----------------	--------	-----------------	-------------------

protective cover internal size 30x55mm transparent



1

Part No.	345510	Ref. No.	0000000108 0000000306
-----------------	--------	-----------------	--------------------------

description push switch mounting measurements 30x22mm red/green 2NO 250V 16A latching Stop / 1 connection male faston 6.3mm ambient temperature max. 85°C protection IP40 with indicator

ø22mm



1

Part No.	301058	Ref. No.	0000000653
-----------------	--------	-----------------	------------

description protective cover internal size 30x55mm

For models: 300SCEP



1

Part No.	301127	Ref. No.	0000000285
-----------------	--------	-----------------	------------

description protective cover internal size 30x55mm transparent

For models: 250SCEV



1

Part No.	346181	Ref. No.	0000000651
-----------------	--------	-----------------	------------


description push button mounting ø 21mm external size 30x55mm oval

accessories for 346181



Part No.	301058	Ref. No.	0000000653 653
-----------------	--------	-----------------	-------------------

protective cover internal size 30x55mm

accessories for	346181			
	Part No.	301127	Ref. No.	0000000285 285
protective cover internal size 30x55mm transparent				

miscellaneous



1

Part No.	601657	Ref. No.	401701
-----------------	--------	-----------------	--------

description conversion kit 230/400V P max. 1150W

microswitches

pin-plunger actuated

miscellaneous



1

Part No.	347560	Ref. No.	0000000304
-----------------	--------	-----------------	------------

description microswitch with plunger mounting distance 22mm thread M10 thread L 14mm 250V 12A 1NO connection male faston 6.3mm stroke 3.5mm ambient temperature max. 125°C type VRSR03AA1 actuating force: 135g

electronics

PCBs



1

Part No.	400785	Ref. No.	0000000359
-----------------	--------	-----------------	------------

description PCB slicer 300SCEP 230V

For models: 300SCEP

accessories for 400785



Part No.	301058	Ref. No.	0000000653 653
-----------------	--------	-----------------	-------------------

protective cover internal size 30x55mm



central units



1

Part No.	400788	Ref. No.	00000000297
description	control box for slicer 230V		
For models:	250SCEV		



1

Part No.	403682	Ref. No.	00000001752
description	control box for slicer 230V 50Hz edition since 04/2016		



1

Part No.	401701	Ref. No.	00000000655 00000009683
description	control box for slicer 400V		



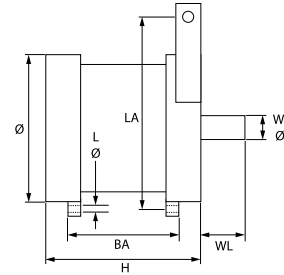
1

Part No.	401855	Ref. No.	00000009240 00000009240 (296+297)
description	control box with pressure switch double for slicer 230V		

motors

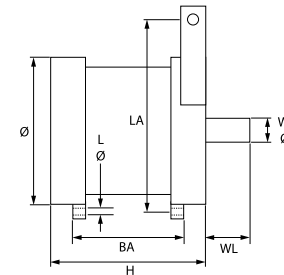
motors

for slicers



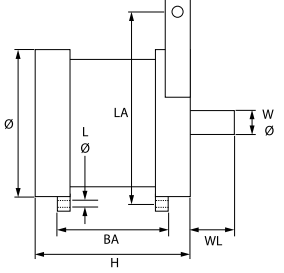
1

Part No.	500973	Ref. No.	00000000425
description	motor 230V 1 phase 180W 50Hz 1380rpm shaft \varnothing 15mm shaft length 28mm \varnothing 115mm H 112mm mounting distance 75mm hole distance 145mm hole \varnothing 6mm type H60-425 300 ELETTRMECANICA capacitor 10 μ F		
For models:	300SCEP		




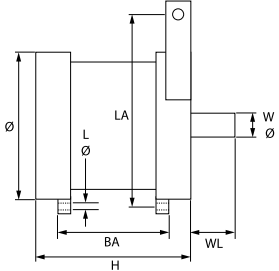
1

Part No.	501532	Ref. No.	00000001755
description	motor 230V 1 phase 390W 50Hz 1380rpm shaft \varnothing 14.5mm shaft length 35mm \varnothing 113mm H 122mm mounting distance 80mm hole distance 150mm hole \varnothing 6mm type H70 300 edition since 04/2016 capacitor 10 μ F		




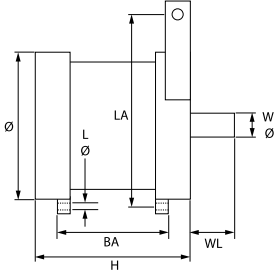
1

Part No.	501530	Ref. No.	00000001753
description	motor 230V 1 phase 50Hz 1380rpm shaft \varnothing 15mm shaft length 25mm 195-220 edition since 04/2016		


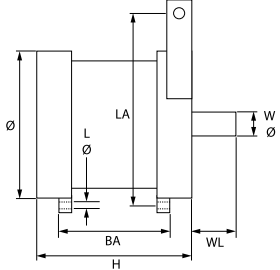
1

Part No.	501427	Ref. No.	00000700283
description	motor 230V 1 phase 50Hz 1380rpm shaft \varnothing 15mm shaft length 25mm \varnothing 115mm H 86mm mounting distance 44mm hole distance 145mm hole \varnothing 6mm type H35-700283		


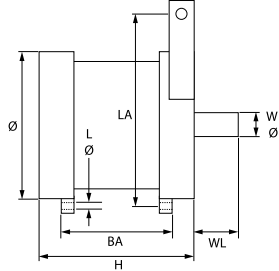
1

Part No.	501531	Ref. No.	00000001754
description	motor 230V 1 phase 50Hz 1380rpm shaft \varnothing 15mm shaft length 33mm \varnothing 115mm H 86mm mounting distance 44mm hole distance 145mm hole \varnothing 6mm type H35-700283		


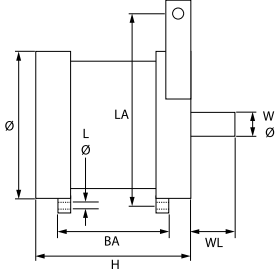
1

Part No.	500954	Ref. No.	00000001150
description	motor 230V 1 phase 50Hz 1380rpm shaft \varnothing 15mm shaft length 28mm \varnothing 115mm H 112mm mounting distance 75mm hole distance 145mm hole \varnothing 8mm type H60-1150 300 S-G ELETTROMECHANICA L 135mm W 115mm capacitor 10 μ F		


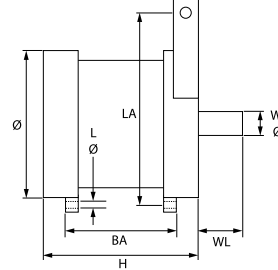
1

Part No.	501434	Ref. No.	00000000423
description	motor 230V 1 phase 50Hz 1380rpm shaft \varnothing 15mm shaft length 33mm \varnothing 113mm H 91mm mounting distance 49mm hole distance 150mm hole \varnothing 6mm type H40-423 ELETTROMECHANICA capacitor 8 μ F		


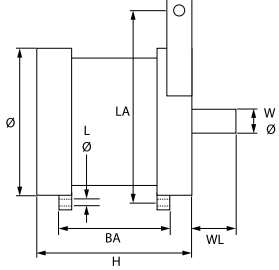
1

Part No.	500923	Ref. No.	00000000508
description	motor 230V 1 phase 50Hz 1380rpm shaft \varnothing 15mm shaft length 28mm \varnothing 115mm H 87mm mounting distance 49mm hole distance 145mm hole \varnothing 6mm type H35-508 220-250 ELETTROMECHANICA		


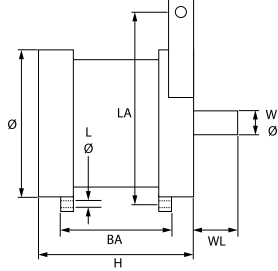
1

Part No.	501433	Ref. No.	00000000681
description	motor 230V 1 phase 50Hz 1380rpm shaft \varnothing 15mm shaft length 35mm \varnothing 113mm H 121mm mounting distance 79mm hole distance 150mm hole \varnothing 6mm type H70-681 ELETTROMECHANICA capacitor 10 μ F		

1

Part No.	500912	Ref. No.	00000000510
description	motor 230V 1 phase 50Hz 1380rpm shaft \varnothing 15mm shaft length 28mm \varnothing 115mm H 92mm mounting distance 49mm hole distance 145mm hole \varnothing 6mm type H40-510 250 ELETTROMECHANICA		
For models:	250SCEV		

1

Part No.	500956	Ref. No.	00000000577
description	motor 230V 1 phase 50Hz 1380rpm shaft \varnothing 17mm shaft length 27mm \varnothing 154mm H 130mm mounting distance 98mm hole distance 170mm hole \varnothing 10mm type 125-40/577 350 ELETTROMECHANICA		



Part No.	500955	Ref. No.	00000009680
description	motor 230V 1 phase 50Hz 1380rpm type H70 ELETTROMECHANICA capacitor 10µF		

condensators & interference suppression filters

operating capacitors

plastic

Part No.	365015	Ref. No.	00000000633
description	operating capacitor capacity 10µF 400V tolerance 5%Hz ambient temperature max. -25 to +85°C ø 35.5mm L 59mm M8 plastic connection male faston 6.3mm protection		
For models:	300SCEP		

Part No.	365014	Ref. No.	00000000582
description	operating capacitor capacity 12.5µF 450V tolerance 5%Hz ambient temperature max. -25 to +85°C ø 35mm L 70mm M8 plastic connection male faston 6.3mm 45S.C3DS.12.5 protection		

Part No.	365012	Ref. No.	00000000149
description	operating capacitor capacity 6.3µF 450V tolerance 5% 50Hz ambient temperature max. -25 to +85°C ø 30mm L 61mm M8 plastic connection male faston 6.3mm protection		

Part No.	365013	Ref. No.	00000000182
description	operating capacitor capacity 8µF 400V tolerance 5%Hz ambient temperature max. -25 to +85°C ø 31.5mm L 55mm M8 plastic connection male faston 6.3mm protection		
For models:	250SCEV		

pumps

booster pumps II

accessories

Part No.	365015	Ref. No.	00000000633
description	operating capacitor capacity 10µF 400V tolerance 5%Hz ambient temperature max. -25 to +85°C ø 35.5mm L 59mm M8 plastic connection male faston 6.3mm protection		
For models:	300SCEP		

Part No.	365012	Ref. No.	00000000149
description	operating capacitor capacity 6.3µF 450V tolerance 5% 50Hz ambient temperature max. -25 to +85°C ø 30mm L 61mm M8 plastic connection male faston 6.3mm protection		



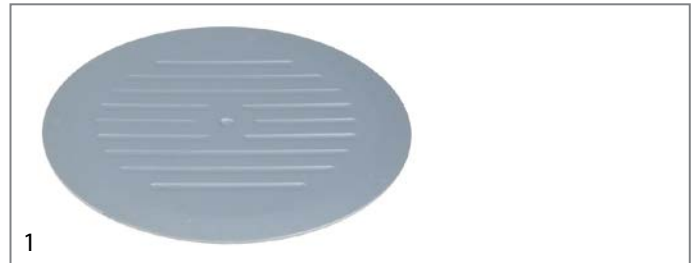
electric accessories

cables

power supply cables



Part No.	551085	Ref. No.	00000009171
description	cable CEE7/7 type E+F 3-pole contacts P+N+E 1.5mm ² max. 16A max 230V 2m with plug H05VV-F 3G1.5		
For models:	250SCEV, 300SCEP		



Part No.	697749	Ref. No.	00000000463 00000000490 490+709956
description	blade covering ø 209mm for knife ø 250mm mounting thread M6 fixing dimensions 12x12mm aluminium		
For models:	250SCEV		

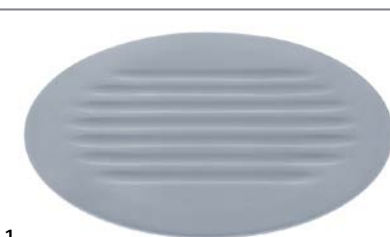
equipment-specific units

for slicers

covers



Part No.	697472	Ref. No.	00000000489old
description	blade covering ø 180mm for knife ø 220mm mounting thread M6 fixing dimensions 12x12mm aluminium		



Part No.	696528	Ref. No.	00000000489
description	blade covering ø 180mm for knife ø 220mm mounting thread M6 fixing dimensions 12x12mm cast aluminium edition since year of construction 2010		



Part No.	697447	Ref. No.	00000000195
description	blade covering ø 209mm for knife ø 250mm aperture 9x9mm aluminium 25GL Dom. /25GS Dom.		

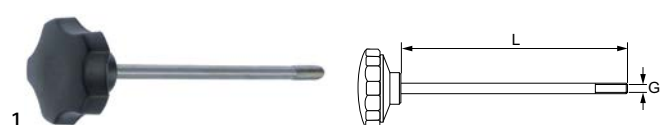


Part No.	697745	Ref. No.	00000000490+00000000777
description	blade covering ø 209mm for knife ø 250mm mounting thread M6 fixing dimensions 12x12mm with locking schrew aluminium		

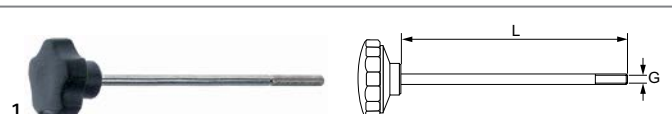


Part No.	697744	Ref. No.	00000000403
description	blade covering ø 248mm for knife ø 300mm mounting thread M6 fixing dimensions 12x12mm aluminium		
For models:	300SCEP		

locking screws

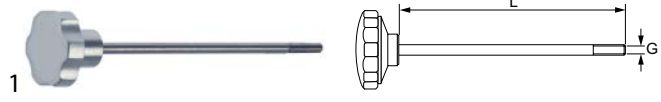



Part No.	698376	Ref. No.	00000001302 00000001302 nera 00000701302
description	locking screw thread M6 L 134mm black		

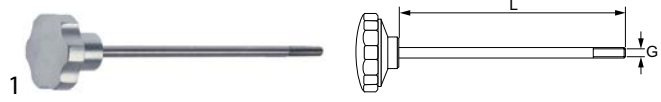


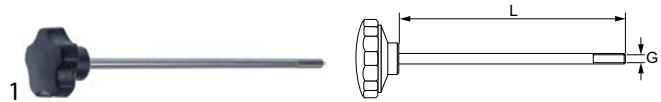
Part No.	697438	Ref. No.	00000000817
description	locking screw thread M6 L 145mm handle ø 40mm		
For models:	250SCEV		

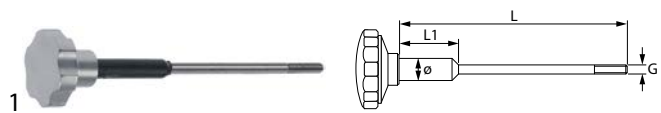


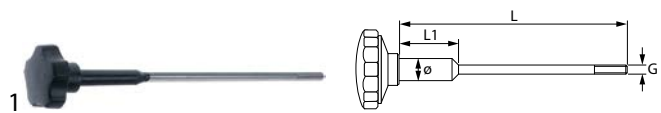
	
Part No.	696521
Ref. No.	00000009956
description	locking screw thread M6 L 154mm handle ø 39mm for model 22/25/275/300

	
Part No.	697439
Ref. No.	00000000777
description	locking screw thread M6 L 155mm handle ø 40mm
For models:	300SCEP


	
Part No.	696602
Ref. No.	00000009958
description	locking screw thread M6 L 188mm handle ø 39mm for model 300/S-G,Dolly Verticale VS300

	
Part No.	697379
Ref. No.	00000001024 00000001142
description	locking screw thread M6 L 190mm handle ø 40mm

	
Part No.	698629
Ref. No.	00000709956
description	locking screw thread M6 L 155mm ø 10mm L1 55mm handle ø 29mm


	
Part No.	697437
Ref. No.	00000000572
description	locking screw thread M6 L 200mm ø 10mm L1 50mm handle ø 40mm


handles

	
Part No.	697935
Ref. No.	00000000378+00000000371 378+371
description	star handle thread M8 ø 50mm L 29mm black with thread bolt


adjustment knobs


	
Part No.	697419
Ref. No.	00000000130 00000700130
description	adjusting knob 0-15 ø 55mm shaft ø 12mm shaft L 28mm handle ø 42mm 250
For models:	250SCEV

	
Part No.	696522
Ref. No.	00000009503
description	adjusting knob 0-22 ø 68mm shaft ø 18mm shaft L 50mm handle ø 68mm turn direction left

	
Part No.	698456
Ref. No.	00000000631
description	adjusting knob 0-23 ø 68mm shaft ø 18mm shaft L 67mm handle ø 68mm
For models:	300SCEP


eccentric disc for slice thickness

	
Part No.	697470
Ref. No.	00000000830
description	eccentrics for cutting thickness hole ø 12mm groove width 6mm ED ø 52mm thickness 21.5mm

	
Part No.	697471
Ref. No.	00000000379
description	eccentrics for cutting thickness hole ø 12mm groove width 6mm ED ø 58mm thickness 21mm
For models:	250SCEV




spring washers



1

Part No.	697479	Ref. No.	0000000856
description	spring washer ID ø 14mm ED ø 21mm Qty 1 pcs		




1

Part No.	697478	Ref. No.	0000000671
description	spring washer ID ø 19mm ED ø 26mm Qty 1 pcs		
For models:	300SCEP		


guiding pieces

for sliding plates




1

Part No.	697483	Ref. No.	0000000117
description	guide 195		




1

Part No.	697448	Ref. No.	00000009177
description	guide 220-250		



1

Part No.	696524	Ref. No.	0000000602 00000009691 9691 696524
description	guide L 117mm W 92mm H 51mm hole ø 18mm shaft intake ø 16mm aluminium		



1

Part No.	697477	Ref. No.	0000000126
description	connection plate L 75mm W 15mm		

for carriage



1


Part No.	696510	Ref. No.	00000009466 9466 (GFS 1022 Metro)
description	guide 220		

bushes



1


Part No.	698626	Ref. No.	00000000119
description	bush ED ø 18mm ID ø 16mm H 15mm		
For models:	300SCEP		



1


Part No.	698627	Ref. No.	00000000611
description	bush ED ø 8mm ID ø 5mm H 10mm		
For models:	300SCEP		

spindles



1

Part No.	697782	Ref. No.	00000000501
description	spindle for carriage ø 16mm L 390mm thread M8		
For models:	250SCEV		



1

Part No.	697449	Ref. No.	00000000944
description	spindle for sliding plate ø 12mm L 160mm Lady		



housings

bottom parts



1

Part No.	696512	Ref. No.	00000000504
description	bottom plate 220		



1

Part No.	696345	Ref. No.	00000000516
description	bottom plate L 390mm W 190mm plastic 300		
For models:	250SCEV		



1

Part No.	698393	Ref. No.	00000000701 701/A
description	bottom plate L 409mm W 174mm plastic		



1

Part No.	698275	Ref. No.	00000000768 Lusso
description	bottom plate L 448mm W 200mm plastic 300		



1

Part No.	698276	Ref. No.	00000000768 Dolly 00000000768 metro
description	bottom plate L 448mm W 200mm plastic 300 METRO FRANCE		



1

Part No.	698389	Ref. No.	00000000768
description	cover L 447mm W 180mm plastic		
For models:	300SCEP		

housings



1

Part No.	699017	Ref. No.	00000000500 (220)
description	housing L 400mm W 260mm 220		



1

Part No.	699030	Ref. No.	00000000500 (250)
description	housing L 400mm W 260mm 250		

hand guard



1

Part No.	697754	Ref. No.	00000000784
description	hand protection for knife ø 300mm H 125mm W 60mm thickness 1.2mm hole ø 6.5mm mounting distance 84mm stainless steel		
For models:	300SCEP		



1

Part No.	696511	Ref. No.	00000000197 00000000328 00000000329
description	wiper for knife ø 220/250mm stainless steel		
For models:	250SCEV		



1


Part No.	697474	Ref. No.	00000000326/3
description	hand protection food holder 220 H 165mm W 250mm thickness 4mm hole ø 6.8mm mounting distance 78mm		





1


Part No.	697473	Ref. No.	00000000326/1
description	hand protection food holder 250 H 165mm W 250mm thickness 4mm hole ø 6.8mm mounting distance 90mm		





 <p>1</p>			
Part No.	697446	Ref. No.	00000000407
description	hand protection food holder 300 H 300mm W 163mm thickness 5.4mm mounting distance 110mm		
For models:	300SCEP		


 <p>1</p>			
Part No.	697755	Ref. No.	00000000162
description	hand protection for carriage 300 H 180mm W 152mm thickness 5mm hole ø 10mm mounting distance 110mm plastic		
For models:	300SCEP		


 <p>1</p>			
Part No.	697826	Ref. No.	00000000924
description	hand protection for slicer		
For models:	250SCEV		

 <p>1</p>			
Part No.	698964	Ref. No.	00000000482
description	hand protection for slicer 195-220		

accessories			
 <p>1</p>			
Part No.	697482	Ref. No.	00000000338 00000000446
description	screw thread M5 ø 8mm L 15mm		
For models:	250SCEV, 300SCEP		

 <p>1</p>			
Part No.	697481	Ref. No.	00000000623
description	Thumb screw thread M6 thread L 8mm ø 14mm H 6mm SS		
For models:	250SCEV, 300SCEP		


 <p>1</p>			
Part No.	698640	Ref. No.	00000009924 9933
description	blade pulley complete with shaft shaft ø 14 shaft length 95mm mounting thread M5 3 hole fixing		

 <p>1</p>			
Part No.	697747	Ref. No.	00000009920
description	blade pulley with spindle D1 ø 40mm D2 ø 64.3mm D3 ø 67.5mm shaft ø 14 L 33mm shaft length 152mm mounting thread M5 mounting ø 3-hole		


 <p>1</p>			
Part No.	697746	Ref. No.	00000009469
description	blade pulley with spindle D1 ø 40mm D2 ø 76mm shaft ø 16 L 40mm shaft length 157mm mounting thread M5 mounting ø 3-hole		
For models:	300SCEP		
spare parts for	697746		
			
Part No.	514030	Ref. No.	—
description	retaining ring shaft ø 20mm thickness 1.3mm steel DIN 471		
			
Part No.	523512	Ref. No.	00000000632 632
description	deep-groove ball bearing type 6204-2RS shaft ø 20mm ED ø 47mm W 14mm with sealing discs deep-groove ball bearing DIN 625-1		
			
Part No.	692029	Ref. No.	—
description	retaining ring bore ø 47mm thickness 1.8mm steel DIN 472		


food holders



handles


 <p>1</p>			
Part No.	697432	Ref. No.	00000000825
description	cone handle thread M6 ø 26mm plastic L 70mm thread L 6mm		
For models:	250SCEV		




			
1			
Part No.	111123	Ref. No.	00000000452 700452
description	handle thread M10 IT ø 30mm L 110mm D1 ø 65mm		
For models:	300SCEP		



			
1			
Part No.	698642	Ref. No.	00000001130
description	handle thread M10 ø 59mm L 100mm aluminium		


			
1			
Part No.	696515	Ref. No.	00000001242
description	handle thread M10x1.5 ø 34mm L 88mm food holder		
accessories for	696515		
	Part No.	696517	Ref. No. 00000800678 800678
	thread bolt for handle ø 12mm L 64mm thread M6/M10 stainless steel		


			
1			
Part No.	692150	Ref. No.	00000800298+RED
description	handle thread M6 ø 25mm D1 ø 65mm L 122mm plastic red		

			
1			
Part No.	697429	Ref. No.	00000000298 00000000298+BLACK 00000700298
description	handle thread M6 ø 25mm L 126mm with hand guard D1 ø 70mm		
For models:	250SCEV		


food holders


			
1			
Part No.	698644	Ref. No.	00000000608 00000009608
description	food holder 300-350 L 290mm hole ø 12mm handle M10 CE		
For models:	300SCEP		
accessories for	698644		
	Part No.	110703	Ref. No. 00000000627 627
	cylindrical handle thread M10 ø 28mm L 87mm		

			
1			
Part No.	697444	Ref. No.	00000009686
description	food holder 300-350 L 290mm hole ø 12mm with handle		



			
1			
Part No.	698418	Ref. No.	00000009206 00000009878
description	food holder L 240mm hole ø 12mm handle M6 with handle		

accessories

			
1			
Part No.	698630	Ref. No.	00000000827
description	spike food holder ø 3mm L 11.5mm		
For models:	250SCEV, 300SCEP		

			
1			
Part No.	697480	Ref. No.	00000000151
description	stop bolt food holder ø 7.5mm L 8mm plastic		
For models:	250SCEV, 300SCEP		





 <p>1</p>			
Part No.	696517	Ref. No.	00000800678
description	thread bolt for handle ø 12mm L 64mm thread M6/M10 stainless steel		
For models:	250SCEV		
accessories for	696517		
 <p>Part No. 696515 Ref. No. 0000001242 1242</p> <p>handle thread M10x1.5 ø 34mm L 88mm food holder</p>			


 <p>1</p>			
Part No.	697385	Ref. No.	00000000636
description	slicing machine blade ED ø 300mm seat ø 40mm 3-hole ID ø 250mm H 20mm C45 standard		
For models:	300SCEP		

blades

standard

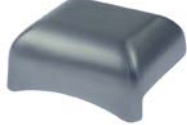
 <p>1</p>			
Part No.	697546	Ref. No.	00000000254
description	slicing machine blade ED ø 195mm seat ø 30mm 3-hole ID ø 155mm H 12.8mm C45 standard		

 <p>1</p>			
Part No.	697399	Ref. No.	00000000422
description	slicing machine blade ED ø 350mm seat ø 57mm 4 hole ID ø 280mm H 22.5mm C45 standard		


 <p>1</p>			
Part No.	697436	Ref. No.	00000000855
description	slicing machine blade ED ø 220mm seat ø 40mm 3-hole ID ø 180mm H 15.5mm C45		

sharpener units


lids

 <p>1</p>			
Part No.	696514	Ref. No.	00000000863
description	lid for sharpener units L 116mm W 100mm mounting distance 26mm		
For models:	250SCEV		

 <p>1</p>			
Part No.	697365	Ref. No.	00000000142
description	slicing machine blade ED ø 250mm seat ø 40mm 3-hole ID ø 210mm H 17.5mm C45 standard		
For models:	250SCEV		

 <p>1</p>			
Part No.	698643	Ref. No.	00000000596
description	lid for sharpener units L 150mm W 120mm		
For models:	300SCEP		

holders

 <p>1</p>			
Part No.	696493	Ref. No.	00000000771 00000009771 771+772
description	bracket for sharpener units L 60mm W 31mm H 78mm hole ø 12mm mounting thread M6 with fastening angle		
For models:	300SCEP		



knobs



1

Part No.	697441	Ref. No.	0000000854
description	locking screw thread M5 handle ø 25mm black L 30mm		
For models:	250SCEV		



1

Part No.	696518	Ref. No.	00000009954
description	locking screw thread M5 L 47mm handle ø 25mm silver		



1

Part No.	697428	Ref. No.	0000000138
description	locking screw thread M6 handle ø 25mm black L 15mm		



1

Part No.	697384	Ref. No.	0000000734
description	locking screw thread M6 handle ø 25mm black L 54mm		
For models:	300SCEP		



1

Part No.	696523	Ref. No.	00000009510
description	locking screw thread M6 L 53mm handle ø 34mm silver		



1

Part No.	697445	Ref. No.	0000000677
description	mushroom cap handle thread M6 handle ø 33mm L 26mm plastic black		
For models:	300SCEP		

sharpener units



1

Part No.	697398	Ref. No.	00000009875
description	blade sharpener 220/250 edition until year of construction 2000		



1

Part No.	697397	Ref. No.	00000009864
description	blade sharpener 220/250/275		
For models:	250SCEV		





1

Part No.	697354	Ref. No.	00000009471
description	blade sharpener 275-300-350		








1

Part No.	697376	Ref. No.	00000001151	
description	blade sharpener 300			
spare parts for	697376			
	Part No.	697377	Ref. No.	0000000720
	grindstone ø 51mm thickness 12mm bore ø 8mm grained coarse without bevel			
	Part No.	697378	Ref. No.	0000000721
	grindstone ø 51mm thickness 7mm bore ø 8mm grained fine with bevel, without hub			





 <p>1</p>			
Part No.	697355	Ref. No.	00000009693
description	blade sharpener 350		
For models:	300SCEP		
spare parts for	697355		
	Part No.	697377	Ref. No. 0000000720720
	grindstone ø 51mm thickness 12mm bore ø 8mm grained coarse without bevel		
	Part No.	697378	Ref. No. 0000000721721
	grindstone ø 51mm thickness 7mm bore ø 8mm grained fine with bevel, without hub		


 <p>1</p>			
Part No.	697420	Ref. No.	00000009168
description	blade sharpener PARKER		
spare parts for	697420		
	Part No.	697423	Ref. No. 0000000816816
	grindstone ø 40mm thickness 8mm bore ø 6mm grained fine with bevel, with hub		
	Part No.	697424	Ref. No. 0000000871871
	grindstone ø 40mm thickness 8mm bore ø 6mm grained coarse with bevel, with hub		
	Part No.	697428	Ref. No. 0000000138138
	locking screw thread M6 handle ø 25mm black L 15mm		


spindles			
 <p>1</p>			
Part No.	698633	Ref. No.	00000006670000000778
description	spindle for sharpener units ø 12mm L 95mm thread M5		

grindstones			
 <p>1</p>			
Part No.	697378	Ref. No.	0000000721
description	grindstone ø 51mm thickness 7mm bore ø 8mm grained fine with bevel, without hub		
For models:	300SCEP		

grindstones with hub			
 <p>1</p>			
Part No.	697424	Ref. No.	0000000871
description	grindstone ø 40mm thickness 8mm bore ø 6mm grained coarse with bevel, with hub		

 <p>1</p>			
Part No.	697423	Ref. No.	0000000816
description	grindstone ø 40mm thickness 8mm bore ø 6mm grained fine with bevel, with hub		

 <p>1</p>			
Part No.	697421	Ref. No.	0000000641
description	grindstone ø 45mm thickness 8mm bore ø 6mm grained coarse with bevel, with hub		
For models:	250SCEV		

 <p>1</p>			
Part No.	697422	Ref. No.	0000000642
description	grindstone ø 45mm thickness 8mm bore ø 6mm grained fine with bevel, with hub		
For models:	250SCEV		

grindstones cup form			
 <p>1</p>			
Part No.	697377	Ref. No.	0000000720
description	grindstone ø 51mm thickness 12mm bore ø 8mm grained coarse without bevel		
For models:	300SCEP		



carriages

handles



1

Part No.	697380	Ref. No.	00000000432+00000000431 432+431
description	adjusting knob thread M10 handle ø 66mm black 300-330-350 L 29mm		



1

Part No.	697442	Ref. No.	00000000676
description	cylindrical handle thread M12 ø 28mm L 30mm		
For models:	300SCEP		



1

Part No.	697440	Ref. No.	00000000432
description	handle thread M10 handle ø 66mm H 51mm black		
For models:	300SCEP		



1

Part No.	697381	Ref. No.	00000000629
description	handle thread M12 handle ø 66mm H 50mm black		



1

Part No.	697427	Ref. No.	00000000881
description	locking screw thread M8 handle ø 28mm black L 22mm		



1

Part No.	697426	Ref. No.	00000000833 old
description	locking screw thread M8 handle ø 43mm black L 22mm		



1

Part No.	697425	Ref. No.	378+371 (old version)
description	locking screw thread M8 handle ø 50mm black 220/250/275		



1

Part No.	696556	Ref. No.	00000000378 00000000833
description	locking screw thread M8x1.25 thread L 23mm handle ø 50mm black plastic 250		
For models:	250SCEV		



1

Part No.	697935	Ref. No.	00000000378+00000000371 378+371
description	star handle thread M8 ø 50mm L 29mm black with thread bolt		

accessories



1


Part No.	696516	Ref. No.	00000000186
description	bracket for carriage L 56mm aluminium		




1

Part No.	698631	Ref. No.	00000000895
description	spindle for carriage thread M6 L 170mm ø 12mm		
For models:	250SCEV		




1 

Part No.	697827	Ref. No.	00000000678
description	spindle for slicer thread M10 L 95mm thread L 12/15mm total length 122mm ø 16mm stainless steel		
For models:	300SCEP		

1 

Part No.	698628	Ref. No.	00000000774
description	threaded shaft thread M6 L 37mm for slicer		
For models:	300SCEP		

miscellaneous

1 


Part No.	697356	Ref. No.	00000000300
description	bracket thread M10x0.75 ø 30mm for microswitch ID ø 14.5mm thickness 13mm mounting thread M5		

for vegetable slicers

miscellaneous

1 

Part No.	110703	Ref. No.	00000000627
description	cylindrical handle thread M10 ø 28mm L 87mm		
For models:	300SCEP		

1 

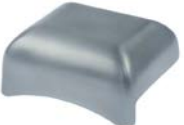
Part No.	697476	Ref. No.	00000000509
description	bush ø 14mm L 88mm ID ø 12mm		
For models:	250SCEV		

for cheese graters

miscellaneous

1 

Part No.	110703	Ref. No.	00000000627
description	cylindrical handle thread M10 ø 28mm L 87mm		
For models:	300SCEP		

1 


Part No.	698419	Ref. No.	00000000867
description	cover L 115mm W 100mm for motor plastic		
For models:	250SCEV		

for tilting bratt pans

miscellaneous

1 

Part No.	523510	Ref. No.	00000000860
description	deep-groove ball bearing type 6202-2RS shaft ø 15mm ED ø 35mm W 11mm with sealing discs deep-groove ball bearing DIN 625-1		
For models:	250SCEV		


1 

Part No.	698388	Ref. No.	00000000765
description	mounting flange ø 18mm L 128mm W 28mm		
For models:	300SCEP		


for rolling grills

pipes

bushes

1 

Part No.	694605	Ref. No.	00000100075
description	bushing set ED ø 38mm ID ø 29mm mounting ø 32 H 4.2/6.2mm PTFE		

1 

Part No.	698392	Ref. No.	00000000828
description	thread bolt thread M6 ø 6mm L 35mm for slicer		
For models:	250SCEV, 300SCEP		



handles and hand wheels

cylindrical handles

fixed



1

Part No.	110703	Ref. No.	00000000627
description	cylindrical handle thread M10 ø 28mm L 87mm		
For models:	300SCEP		



1

Part No.	698472	Ref. No.	00000000327
description	cylindrical handle thread M6 ø 24mm L 76mm black internal thread		
For models:	250SCEV		



1

Part No.	697442	Ref. No.	00000000676
description	cylindrical handle thread M12 ø 28mm L 30mm		
For models:	300SCEP		

cone handles



1

Part No.	697432	Ref. No.	00000000825
description	cone handle thread M6 ø 26mm plastic L 70mm thread L 6mm		
For models:	250SCEV		

mushroom cap handles



1

Part No.	697445	Ref. No.	00000000677
description	mushroom cap handle thread M6 handle ø 33mm L 26mm plastic black		
For models:	300SCEP		



1

Part No.	698641	Ref. No.	00000001111
description	mushroom cap handle thread M6 handle ø 34mm L 25mm aluminium		

equipment feet and end caps

screw-in feet



1

Part No.	701451	Ref. No.	00000001240
description	equipment foot thread M5 thread L 13mm ø 37.5mm H 25mm conical aluminium WS Qty 1 pcs bore ø 6mm		



1

Part No.	697770	Ref. No.	00000000628
description	equipment foot thread M8 thread L 12mm ø 47mm H 35mm Qty 1 pcs		
For models:	300SCEP		




1

Part No.	698495	Ref. No.	00000001251
description	equipment foot thread M8 thread L 9mm ø 48mm H 43mm conical aluminium WS Qty 1 pcs		




bolting feet

 <p>1</p>			
Part No.	697433	Ref. No.	0000000140 00000700140
description	equipment foot ø 35mm H 26mm bore ø 5mm Qty 1 pcs		
For models:	250SCEV		

gaskets

shaft gaskets

shaft gaskets


 <p>1</p>			
Part No.	697475	Ref. No.	00000012671
description	shaft seal ID ø 20mm ED ø 30mm thickness 5mm		
For models:	250SCEV		

transmission technology and ball bearings


ball bearings

deep-groove ball bearings 2RS

 <p>1</p>			
Part No.	523501	Ref. No.	00000000637
description	deep-groove ball bearing type 608-2RS shaft ø 8mm ED ø 22mm W 7mm with sealing discs deep-groove ball bearing DIN 625-1		
For models:	300SCEP		

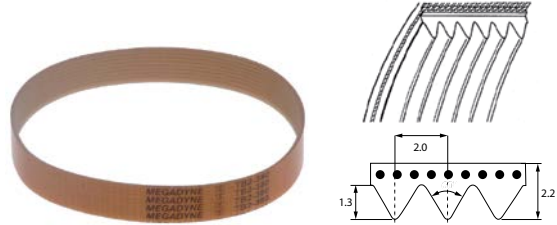
 <p>1</p>			
Part No.	523510	Ref. No.	00000000860
description	deep-groove ball bearing type 6202-2RS shaft ø 15mm ED ø 35mm W 11mm with sealing discs deep-groove ball bearing DIN 625-1		
For models:	250SCEV		

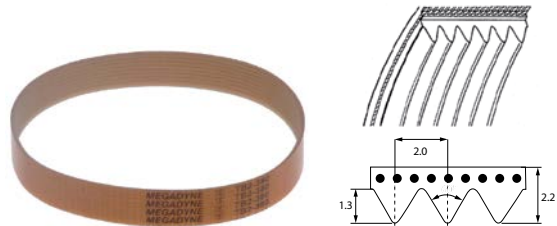
 <p>1</p>			
Part No.	523512	Ref. No.	00000000632
description	deep-groove ball bearing type 6204-2RS shaft ø 20mm ED ø 47mm W 14mm with sealing discs deep-groove ball bearing DIN 625-1		
For models:	300SCEP		

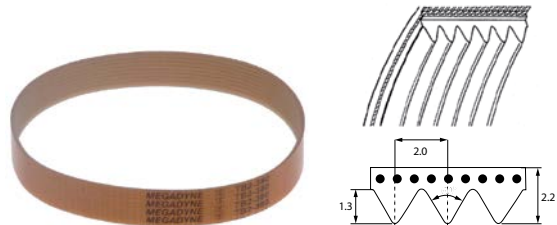
 <p>1</p>			
Part No.	523504	Ref. No.	00000000862
description	deep-groove ball bearing type 626-2RS shaft ø 6mm ED ø 19mm W 6mm with sealing discs deep-groove ball bearing DIN 625-1		
For models:	250SCEV		

drive belts

poly-v belts

 <p>1</p>			
Part No.	698215	Ref. No.	00000000635
description	poly-v belt grooves 10 W 20mm L 400mm profile TB2		
For models:	300SCEP		

 <p>1</p>			
Part No.	698216	Ref. No.	00000001026
description	poly-v belt grooves 10 W 20mm L 480mm profile TB2		

 <p>1</p>			
Part No.	698213	Ref. No.	00000000573
description	poly-v belt grooves 11 W 22mm L 430mm profile TB2		



1			
Part No.	698963	Ref. No.	00000000492
description	poly-v belt grooves 5 W 10mm L 310mm profile TB2		

1			
Part No.	698217	Ref. No.	00000000861
description	poly-v belt grooves 7 W 14mm L 330mm profile TB2		
For models:	250SCEV		

fastening material

screws

side bolts

1			
Part No.	560551	Ref. No.	00000000615
description	side bolts thread M10 L 15mm SS Qty 1 pcs intake slotted head ϕ 24.5mm		
For models:	300SCEP		

knurled screws

1			
Part No.	697481	Ref. No.	00000000623
description	Thumb screw thread M6 thread L 8mm ϕ 14mm H 6mm SS		
For models:	250SCEV, 300SCEP		

washers

spring washers

1			
Part No.	697479	Ref. No.	00000000856
description	spring washer ID ϕ 14mm ED ϕ 21mm Qty 1 pcs		

1			
Part No.	697478	Ref. No.	00000000671
description	spring washer ID ϕ 19mm ED ϕ 26mm Qty 1 pcs		
For models:	300SCEP		

GASTROPARTS.COM

