



**GASTROPARTS**

# Omas

- [EN]** Equipment
- [DE]** Geräte
- [ES]** Aparatos
- [FR]** Équipement
- [IT]** Attrezzature
- [PL]** Urządzenia
- [RU]** Оборудование

✉ [gastroparts@gastroparts.com](mailto:gastroparts@gastroparts.com)

☎ tel. +48 56 657 00 66

📘 [fb.com/gastroparts.global](https://fb.com/gastroparts.global)

**GASTROPARTS.COM**





## switches and momentary switches

### rocker/momentary rocker switches

28x22mm



1

**Part No.** 348161 **Ref. No.** I3635

**description** rocker switch mounting measurements 28x22mm orange 2NO 110V 16A illuminated 0-1 connection male faston 6.3mm ambient temperature max. 55°C



1

**Part No.** 348115<sup>1</sup> **Ref. No.** I3616

**description** rocker switch mounting measurements 28x22mm white 2NO 250V 16A illuminated 0-1 connection male faston 6.3mm ambient temperature max. 55°C

<sup>1</sup>illuminated

30x22mm

labelled



1

**Part No.** 301006 **Ref. No.** I3736

**description** rocker switch mounting measurements 30x22mm orange 2NO 250V 16A illuminated connection male faston 6.3mm ambient temperature max. 125/55°C protection IP65 with cover cap

**accessories for** 301006



**Part No.** 301036 **Ref. No.** —  
protective cover internal size 30x22mm for rocker switch mounting measurementsmm

### push/momentary push switches

30x22mm



1

**Part No.** 346052 **Ref. No.** I3701

**description** push switch mounting measurements 30x22mm black/green 2CO 250V 16A illuminated connection male faston 6.3mm ambient temperature max. 125/55°C protection IP65

**accessories for** 346052



**Part No.** 400797 **Ref. No.** C8239  
S3226  
S3319

PCB for slicer 230V



1

**Part No.** 345712 **Ref. No.** I3735

**description** push switch mounting measurements 30x22mm red/green 2CO 250V 16A Stop / I connection male faston 6.3mm ambient temperature max. 85°C protection IP40 with indicator

**accessories for** 345712



**Part No.** 301127 **Ref. No.** —  
protective cover internal size 30x55mm transparent

2 hole fixing



1

**Part No.** 348122 **Ref. No.** P9501

**description** push switch green/red 230V connection cable 1800mm

miscellaneous



1

**Part No.** 347301 **Ref. No.** I3704

**description** switch combination mounting measurements 51x28mm red/green 1NO/NO 250V 16A momentary connection male faston 6.3mm ambient temperature max. 85°C protection IP40



1

**Part No.** 347299 **Ref. No.** I3705

**description** switch combination mounting measurements 77x28mm green/white/red 1NO/indicator light/1NO 250V 16A momentary connection male faston 6.3mm ambient temperature max. 125/55°C protection IP40




## microswitches

## universal



1

|   |  |                 |                   |
|---|--|-----------------|-------------------|
| <b>Part No.</b>   | 345042   | <b>Ref. No.</b> | I3651             |
| <b>description</b>  | microswitch with plunger 250V 16A 1CO connection male faston 6.3mm L 28mm ambient temperature max. 125°C mounting distance 22mm type EF83161.3 actuating force: 75g blue/black |                 |                   |
| <b>accessories for</b>  | 345042   |                 |                   |
|  | <b>Part No.</b>  | 345043          | <b>Ref. No.</b> — |
|   | lever set 5-piece  |                 |                   |

## pin-plunger actuated




1

|                    |  |                 |       |
|--------------------|--|-----------------|-------|
| <b>Part No.</b>    | 348150   | <b>Ref. No.</b> | I3719 |
| <b>description</b> | microswitch 250V 16A 1NO/1NC connection F6.3 L 42mm L1 31mm mounting distance 22mm |                 |       |




1

|   |  |                 |                   |
|---|--|-----------------|-------------------|
| <b>Part No.</b>   | 345042   | <b>Ref. No.</b> | I3651             |
| <b>description</b>  | microswitch with plunger 250V 16A 1CO connection male faston 6.3mm L 28mm ambient temperature max. 125°C mounting distance 22mm type EF83161.3 actuating force: 75g blue/black |                 |                   |
| <b>accessories for</b>  | 345042   |                 |                   |
|  | <b>Part No.</b>  | 345043          | <b>Ref. No.</b> — |
|   | lever set 5-piece  |                 |                   |

## M10



1

|   |   |                 |                   |
|---|---|-----------------|-------------------|
| <b>Part No.</b>   | 347482  | <b>Ref. No.</b> | N/A               |
| <b>description</b>  | microswitch with plunger thread M10x0.75 thread L 14mm 250V 16A 1CO connection male faston 6.3mm stroke 3mm mounting distance 22mm ambient temperature max. 125°C type MS-385 actuating force: 250g |                 |                   |
| <b>spare parts for</b>  | 347482  |                 |                   |
|  | <b>Part No.</b>   | 100779          | <b>Ref. No.</b> — |
|   | nut thread M10x0.75 H 3mm WS 14 SS Qty 2 pcs  |                 |                   |

## rotary switches

## BREMAS

## A1200 series



1

|                    |  |                 |       |
|--------------------|--|-----------------|-------|
| <b>Part No.</b>    | 348155   | <b>Ref. No.</b> | I3632 |
| <b>description</b> | rotary switch sets of contacts 6 3 1-0-2 type CA0120670V 400V 12A shaft ø 5x5mm shaft L 18mm shaft square connection screw |                 |       |

## magnetic switches

## ø 4mm



1

|                    |  |                 |       |
|--------------------|--|-----------------|-------|
| <b>Part No.</b>    | 347049   | <b>Ref. No.</b> | I3647 |
| <b>description</b> | magnetic switch 24V 0.5A P max. 12W probe L 20mm 1NO |                 |       |

## M10x0.75



1

|                    |   |                 |       |
|--------------------|---|-----------------|-------|
| <b>Part No.</b>    | 348102  | <b>Ref. No.</b> | I3730 |
| <b>description</b> | magnetic switch thread M10x0.75 1NO 250V 0.04A P max. 10W connection 2-wire cable length 1500mm |                 |       |

## control equipment

## ERSCE



1

|                    |  |                 |       |
|--------------------|--|-----------------|-------|
| <b>Part No.</b>    | 345989   | <b>Ref. No.</b> | I3703 |
| <b>description</b> | contact block ERSCE C01B 1NC max 230V 10(4)A red |                 |       |



## contactors

ABB

### power contactors



1

|                    |  |                 |       |
|--------------------|--|-----------------|-------|
| <b>Part No.</b>    | 380100   | <b>Ref. No.</b> | R2043 |
| <b>description</b> | power contactor resistive load 20A 230VAC (AC3/400V) 12A/5.5kW main contacts 3NO auxiliary contacts 1NO connection screw connection type B6-30-10 / B7-30-10 |                 |       |



1

|                    |   |                 |       |
|--------------------|---|-----------------|-------|
| <b>Part No.</b>    | 380097  | <b>Ref. No.</b> | R2044 |
| <b>description</b> | power contactor resistive load 20A 24VAC (AC3/400V) 12A/5.5kW main contacts 3NO auxiliary contacts 1NO connection soldering connection type B6-30-10P / B7-30-10P |                 |       |



1

|                    |  |                 |       |
|--------------------|--|-----------------|-------|
| <b>Part No.</b>    | 380110   | <b>Ref. No.</b> | R2042 |
| <b>description</b> | power contactor resistive load 20A 400VAC (AC3/400V) 12A/5.5kW main contacts 3NO auxiliary contacts 1NO connection screw connection type B6-30-10 / B7-30-10 |                 |       |

## relays


### power relays

#### with male contacts

#### bullet connectors, 11 contacts



1

|                        |   |                 |                 |   |
|------------------------|---|-----------------|-----------------|---|
| <b>Part No.</b>        | 380133  | <b>Ref. No.</b> | R2020           |   |
| <b>description</b>     | power relays 24VAC 10A 3CO connection plug-in connection round 11-pole 250V 11-pole   |                 |                 |   |
| <b>accessories for</b> | 380133  |                 |                 |   |
|                        | <b>Part No.</b>   | 380136          | <b>Ref. No.</b> | — |
|                        |  relay socket 11-pole connection plug-in connection round 11-pole dimensions 65x28x40mm 250V voltage AC 10A Italiana Relè manuf. no. ZVE11 |                 |                 |   |

### plug-in/print relays



1

|                    |   |                 |       |
|--------------------|---|-----------------|-------|
| <b>Part No.</b>    | 381108  | <b>Ref. No.</b> | R2019 |
| <b>description</b> | print relay 24VAC 3CO at 250V 10A connection soldering connection raster size 9mm manuf. no. 60.43.8.024.0000 |                 |       |

## probes

### Hall sensors



1

|                    |   |                 |       |
|--------------------|---|-----------------|-------|
| <b>Part No.</b>    | 402487  | <b>Ref. No.</b> | I3646 |
| <b>description</b> | Hall sensor double L 22mm W 10mm cable length 500mm |                 |       |



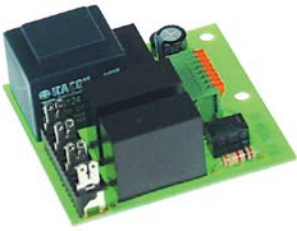
1

|                    |  |                 |       |
|--------------------|--|-----------------|-------|
| <b>Part No.</b>    | 402473                                       | <b>Ref. No.</b> | I3686 |
| <b>description</b> | Hall sensor L 24mm W 10mm cable length 760mm |                 |       |



## electronics

## PCBs



1

|                    |          |                 |       |
|--------------------|----------|-----------------|-------|
| <b>Part No.</b>    | 401510   | <b>Ref. No.</b> | S3288 |
| <b>description</b> | PCB 230V |                 |       |

1

|                    |          |                 |       |
|--------------------|----------|-----------------|-------|
| <b>Part No.</b>    | 403013   | <b>Ref. No.</b> | S3221 |
| <b>description</b> | PCB 230V |                 |       |

1

|                    |          |                 |       |
|--------------------|----------|-----------------|-------|
| <b>Part No.</b>    | 403012   | <b>Ref. No.</b> | S3223 |
| <b>description</b> | PCB 400V |                 |       |



1

|                    |                     |                 |                         |
|--------------------|---------------------|-----------------|-------------------------|
| <b>Part No.</b>    | 400797              | <b>Ref. No.</b> | C8239<br>S3226<br>S3319 |
| <b>description</b> | PCB for slicer 230V |                 |                         |

**accessories for** 400797

|   |        |                 |       |
|---|--------|-----------------|-------|
| <b>Part No.</b>   | 346052 | <b>Ref. No.</b> | I3701 |
| push switch mounting measurements 30x22mm black/green 2CO 250V 16A illuminated connection male faston 6.3mm ambient temperature max. 125/55°C protection IP65 |        |                 |       |

1

|                    |                          |                 |       |
|--------------------|--------------------------|-----------------|-------|
| <b>Part No.</b>    | 403596                   | <b>Ref. No.</b> | S3285 |
| <b>description</b> | PCB for slicer 50Hz 230V |                 |       |

**spare parts for** 403596

|  |        |                 |       |
|--|--------|-----------------|-------|
| <b>Part No.</b>                                    | 348122 | <b>Ref. No.</b> | P9501 |
| push switch green/red 230V connection cable 1800mm |        |                 |       |



1

|                    |  |                 |       |
|--------------------|--|-----------------|-------|
| <b>Part No.</b>    | 403010   | <b>Ref. No.</b> | S3228 |
| <b>description</b> | PCB for slicer L 125mm W 90mm 400V 50Hz voltage AC |                 |       |



1

|                    |   |                 |       |
|--------------------|---|-----------------|-------|
| <b>Part No.</b>    | 403609  | <b>Ref. No.</b> | S3322 |
| <b>description</b> | PCB for slicer OG30E L 102mm W 36mm suitable for OMAS |                 |       |



1

|                    |  |                 |       |
|--------------------|--|-----------------|-------|
| <b>Part No.</b>    | 403570                                 | <b>Ref. No.</b> | S3321 |
| <b>description</b> | PCB for slicer OG30E suitable for OMAS |                 |       |




1

|                    |                 |                 |       |
|--------------------|-----------------|-----------------|-------|
| <b>Part No.</b>    | 401511          | <b>Ref. No.</b> | S3290 |
| <b>description</b> | PCB slicer 230V |                 |       |



1

|                    |                |                 |       |
|--------------------|----------------|-----------------|-------|
| <b>Part No.</b>    | 401514         | <b>Ref. No.</b> | S3291 |
| <b>description</b> | PCB slicer 24V |                 |       |





1

|                    |                      |                 |       |
|--------------------|----------------------|-----------------|-------|
| <b>Part No.</b>    | 403011               | <b>Ref. No.</b> | S3227 |
| <b>description</b> | PCB slicer A31E 230V |                 |       |

## keypads


### membrane keypads



1


|                    |  |                 |       |
|--------------------|--|-----------------|-------|
| <b>Part No.</b>    | 347316   | <b>Ref. No.</b> | T1760 |
| <b>description</b> | keypad foil buttons 2 grey/black L 69mm W 34.4mm |                 |       |

### keypad units





1

|                    |   |                 |       |
|--------------------|---|-----------------|-------|
| <b>Part No.</b>    | 403050  | <b>Ref. No.</b> | I1682 |
| <b>description</b> | keypad unit buttons 2 cable length 200mm edition from 1998 on L 70mm W 40mm |                 |       |




1

|   |   |                 |                |
|---|---|-----------------|----------------|
| <b>Part No.</b>   | 401513  | <b>Ref. No.</b> | I1680          |
| <b>description</b>  | keypad unit buttons 2 cable length 400mm edition from 1998 on L 75mm W 40mm |                 |                |
| <b>spare parts for</b>  | 401513  |                 |                |
|   | Part No.  | 347316          | Ref. No. T1760 |
|  | keypad foil buttons 2 grey/black L 69mm W 34.4mm                            |                 |                |



1

|                    |  |                 |       |
|--------------------|--|-----------------|-------|
| <b>Part No.</b>    | 401512   | <b>Ref. No.</b> | I1675 |
| <b>description</b> | keypad unit buttons 2 edition until 1998 L 75mm W 40mm |                 |       |



1


|                    |                                      |                 |       |
|--------------------|--------------------------------------|-----------------|-------|
| <b>Part No.</b>    | 403000                               | <b>Ref. No.</b> | I1683 |
| <b>description</b> | keypad unit buttons 4 L 130mm W 70mm |                 |       |

## compressors

### accessories


#### starting relays

#### klixons



1

|                    |   |                 |       |
|--------------------|---|-----------------|-------|
| <b>Part No.</b>    | 381373  | <b>Ref. No.</b> | R2001 |
| <b>description</b> | start relay 4CR-1-650 230V connection male faston 6.3mm |                 |       |




1

|                    |  |                 |       |
|--------------------|--|-----------------|-------|
| <b>Part No.</b>    | 381397                                     | <b>Ref. No.</b> | R2003 |
| <b>description</b> | start relay 4CR-1-744 230V connection F6.3 |                 |       |

## motors

### motors

#### for slicers



1

|                    |   |                 |       |
|--------------------|---|-----------------|-------|
| <b>Part No.</b>    | 501376  | <b>Ref. No.</b> | M8240 |
| <b>description</b> | motor 230V 1 phase 50Hz shaft ø 19.5mm shaft length 56mm ø 145mm hole ø 8mm hole distance 115mm L 222mm |                 |       |



1

|                    |  |                 |       |
|--------------------|--|-----------------|-------|
| <b>Part No.</b>    | 501375   | <b>Ref. No.</b> | M8468 |
| <b>description</b> | motor 230V 50Hz shaft $\varnothing$ 20mm shaft length 52mm $\varnothing$ 136mm hole $\varnothing$ 8mm hole distance 115mm type S8437 L 215mm |                 |       |

## group 4



1

|                    |                       |                 |       |
|--------------------|-----------------------|-----------------|-------|
| <b>Part No.</b>    | 499325                | <b>Ref. No.</b> | M8375 |
| <b>description</b> | motor 230V 50Hz OG30E |                 |       |



1

|                    |  |                 |       |
|--------------------|--|-----------------|-------|
| <b>Part No.</b>    | 499081   | <b>Ref. No.</b> | M8342 |
| <b>description</b> | motor 230V 50Hz shaft $\varnothing$ 15mm shaft length 34mm L 130mm |                 |       |



1

|                    |   |                 |       |
|--------------------|---|-----------------|-------|
| <b>Part No.</b>    | 499064  | <b>Ref. No.</b> | M8349 |
| <b>description</b> | motor 230V 50Hz shaft $\varnothing$ 15mm shaft length 34mm L 95mm |                 |       |



1

|                    |   |                 |       |
|--------------------|---|-----------------|-------|
| <b>Part No.</b>    | 499080  | <b>Ref. No.</b> | M8409 |
| <b>description</b> | motor 230V 50Hz shaft $\varnothing$ 15mm shaft length 34mm OMAS L 118mm |                 |       |

## fuses

## overload switches



1

|                    |   |                 |       |
|--------------------|---|-----------------|-------|
| <b>Part No.</b>    | 348149  | <b>Ref. No.</b> | I3790 |
| <b>description</b> | overload switch 1-pole drop-away current 4A rated 240V nominal 0.05-16A connection F6.3 |                 |       |



1

|                    |   |                 |       |
|--------------------|---|-----------------|-------|
| <b>Part No.</b>    | 358182  | <b>Ref. No.</b> | I3792 |
| <b>description</b> | overload switch 1-pole drop-away current 6A rated AC 240V/DC 48V connection male faston 6.3mm |                 |       |



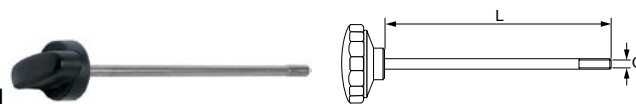
1

|                    |   |                 |       |
|--------------------|---|-----------------|-------|
| <b>Part No.</b>    | 358183  | <b>Ref. No.</b> | I3694 |
| <b>description</b> | overload switch 1-pole drop-away current 7A rated AC 240V/DC 48V connection male faston 6.3mm |                 |       |

## equipment-specific units


## for slicers

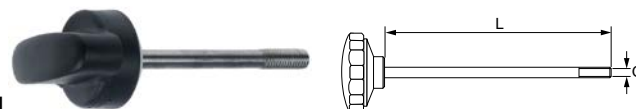
## locking screws



1

|                    |                                 |                 |       |
|--------------------|---------------------------------|-----------------|-------|
| <b>Part No.</b>    | 697371                          | <b>Ref. No.</b> | T5002 |
| <b>description</b> | locking screw thread M8 L 200mm |                 |       |

|   |   |        |                 |       |
|---|---|--------|-----------------|-------|
| <b>spare parts for</b>  | 697371  |        |                 |       |
|  | <b>Part No.</b>                                   | 697766 | <b>Ref. No.</b> | I1926 |
|   | handle L 50mm W 17mm $\varnothing$ 35mm thread M8 |        |                 |       |




1


|                    |   |                 |     |
|--------------------|---|-----------------|-----|
| <b>Part No.</b>    | 697800  | <b>Ref. No.</b> | N/A |
| <b>description</b> | locking screw thread M8 L 80mm handle $\varnothing$ 50mm suitable for OMAS A310 |                 |     |




handles

|   |                                       |                 |       |
|---|---------------------------------------|-----------------|-------|
|  |                                       |                 |       |
| 1   |                                       |                 |       |
| <b>Part No.</b>   | 697766                                | <b>Ref. No.</b> | I1926 |
| <b>description</b>  | handle L 50mm W 17mm ø 35mm thread M8 |                 |       |

adjustment knobs

|   |  |                 |       |
|---|--|-----------------|-------|
|  |  |                 |       |
| 1   |  |                 |       |
| <b>Part No.</b>   | 697767   | <b>Ref. No.</b> | I1976 |
| <b>description</b>  | adjusting knob 0-15 ø 50mm shaft ø 12mm shaft L 30mm handle ø 43mm |                 |       |

|   |  |                 |        |
|---|--|-----------------|--------|
|  |  |                 |        |
| 1   |  |                 |        |
| <b>Part No.</b>   | 697368   | <b>Ref. No.</b> | I1990A |
| <b>description</b>  | adjusting knob 0-15 ø 70mm shaft ø 18mm shaft L 48mm handle ø 64mm |                 |        |

guiding pieces


for sliding plates


|   |  |                 |                |
|---|--|-----------------|----------------|
|  |  |                 |                |
| 1   |  |                 |                |
| <b>Part No.</b>   | 696697                                 | <b>Ref. No.</b> | S3808<br>S3891 |
| <b>description</b>  | guide L 85mm W 40mm H 25mm hole ø 16mm |                 |                |


bushes

|   |                                    |                 |       |
|---|------------------------------------|-----------------|-------|
|  |                                    |                 |       |
| 1   |                                    |                 |       |
| <b>Part No.</b>   | 696686                             | <b>Ref. No.</b> | B6275 |
| <b>description</b>  | bush ED ø 20mm ID ø 18mm H 20mm SS |                 |       |

hand guard


|  |   |                 |       |
|--|---|-----------------|-------|
|  |   |                 |       |
| 1  |   |                 |       |
| <b>Part No.</b>  | 697805  | <b>Ref. No.</b> | C6537 |
| <b>description</b>   | hand protection for carriage C300 CE H 170mm W 250mm thickness 8mm hole ø 7mm mounting distance 135mm plexiglas suitable for OMAS |                 |       |


|   |   |                 |       |
|---|---|-----------------|-------|
|  |   |                 |       |
| 1   |   |                 |       |
| <b>Part No.</b>   | 698776  | <b>Ref. No.</b> | C7127 |
| <b>description</b>  | hand protection slicer OG30E H 195mm W 190mm thickness 3.5mm hole ø 6.5mm mounting distance 125mm plexiglas |                 |       |

|  |  |                 |        |
|--|--|-----------------|--------|
|  |  |                 |        |
| 1  |  |                 |        |
| <b>Part No.</b>  | 698656   | <b>Ref. No.</b> | A3050A |
| <b>description</b>   | blade pulley D1 ø 20mm shaft ø 10/7 L 67mm shaft length 35mm mounting thread M16x2 |                 |        |

blades

INOX

|  |   |                 |         |
|--|---|-----------------|---------|
|  |   |                 |         |
| 1  |   |                 |         |
| <b>Part No.</b>  | 697562  | <b>Ref. No.</b> | L060602 |
| <b>description</b>   | slicing machine blade ED ø 300mm seat ø 57mm 4 hole ID ø 254mm H 22.5mm stainless steel |                 |         |

|  |   |                 |         |
|--|---|-----------------|---------|
|  |   |                 |         |
| 1  |   |                 |         |
| <b>Part No.</b>  | 697373  | <b>Ref. No.</b> | L062302 |
| <b>description</b>   | slicing machine blade ED ø 350mm seat ø 57mm 4 hole ID ø 280mm H 22.5mm stainless steel |                 |         |





1

|                    |   |                 |         |
|--------------------|---|-----------------|---------|
| <b>Part No.</b>    | 697564  | <b>Ref. No.</b> | L061002 |
| <b>description</b> | slicing machine blade ED ø 370mm seat ø 57mm 4 hole ID ø 300mm H 22.5mm stainless steel |                 |         |

PTFE



1

|                    |   |                 |         |
|--------------------|---|-----------------|---------|
| <b>Part No.</b>    | 697304  | <b>Ref. No.</b> | L060205 |
| <b>description</b> | slicing machine blade ED ø 250mm seat ø 40mm 3-hole ID ø 210mm H 17.5mm PTFE 100Cr6 |                 |         |



1

|                    |   |                 |         |
|--------------------|---|-----------------|---------|
| <b>Part No.</b>    | 698210  | <b>Ref. No.</b> | L060605 |
| <b>description</b> | slicing machine blade ED ø 300mm seat ø 57mm 4 hole ID ø 254mm H 22.5mm PTFE 100Cr6 |                 |         |



1

|                    |   |                 |         |
|--------------------|---|-----------------|---------|
| <b>Part No.</b>    | 697550  | <b>Ref. No.</b> | L060805 |
| <b>description</b> | slicing machine blade ED ø 330mm seat ø 57mm 4 hole ID ø 270mm H 23mm PTFE 100Cr6 |                 |         |



1

|                    |   |                 |         |
|--------------------|---|-----------------|---------|
| <b>Part No.</b>    | 697551  | <b>Ref. No.</b> | L062305 |
| <b>description</b> | slicing machine blade ED ø 350mm seat ø 57mm 4 hole ID ø 280mm H 22.5mm PTFE 100Cr6 |                 |         |



1

|                    |   |                 |         |
|--------------------|---|-----------------|---------|
| <b>Part No.</b>    | 697552  | <b>Ref. No.</b> | L061005 |
| <b>description</b> | slicing machine blade ED ø 370mm seat ø 57mm 4 hole ID ø 300mm H 22.5mm PTFE 100Cr6 |                 |         |

special



1

|                    |   |                 |     |
|--------------------|---|-----------------|-----|
| <b>Part No.</b>    | 697845  | <b>Ref. No.</b> | N/A |
| <b>description</b> | slicing machine blade ED ø 330mm seat ø 270mm 4 hole ID ø 57mm Hmm 100Cr6 |                 |     |

standard



1

|                    |  |                 |       |
|--------------------|--|-----------------|-------|
| <b>Part No.</b>    | 697546   | <b>Ref. No.</b> | L0616 |
| <b>description</b> | slicing machine blade ED ø 195mm seat ø 30mm 3-hole ID ø 155mm H 12.8mm C45 standard |                 |       |



1

|                    |   |                 |       |
|--------------------|---|-----------------|-------|
| <b>Part No.</b>    | 697436  | <b>Ref. No.</b> | L0611 |
| <b>description</b> | slicing machine blade ED ø 220mm seat ø 40mm 3-hole ID ø 180mm H 15.5mm C45 |                 |       |



1

|                    |  |                 |       |
|--------------------|--|-----------------|-------|
| <b>Part No.</b>    | 697365   | <b>Ref. No.</b> | L0602 |
| <b>description</b> | slicing machine blade ED ø 250mm seat ø 40mm 3-hole ID ø 210mm H 17.5mm C45 standard |                 |       |



|                    |  |                 |       |
|--------------------|--|-----------------|-------|
| <b>Part No.</b>    | 697542   | <b>Ref. No.</b> | L0613 |
| <b>description</b> | slicing machine blade ED ø 275mm seat ø 25.4mm 4 hole ID ø 220mm H 15mm C45 standard |                 |       |



|                    |  |                 |       |
|--------------------|--|-----------------|-------|
| <b>Part No.</b>    | 697534   | <b>Ref. No.</b> | L0612 |
| <b>description</b> | slicing machine blade ED ø 300mm seat ø 40mm 3-hole ID ø 245mm H 17mm C45 standard |                 |       |



|                    |   |                 |       |
|--------------------|---|-----------------|-------|
| <b>Part No.</b>    | 697366  | <b>Ref. No.</b> | L0606 |
| <b>description</b> | slicing machine blade ED ø 300mm seat ø 57mm 4 hole H 22.5mm standard |                 |       |



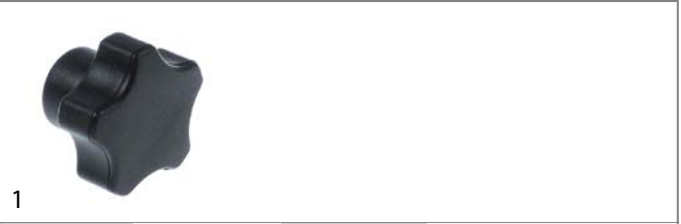
|                    |  |                 |       |
|--------------------|--|-----------------|-------|
| <b>Part No.</b>    | 698191   | <b>Ref. No.</b> | L0606 |
| <b>description</b> | slicing machine blade ED ø 300mm seat ø 57mm 4 hole ID ø 254mm H 22.5mm C45 standard |                 |       |



|                    |  |                 |       |
|--------------------|--|-----------------|-------|
| <b>Part No.</b>    | 697399   | <b>Ref. No.</b> | L0623 |
| <b>description</b> | slicing machine blade ED ø 350mm seat ø 57mm 4 hole ID ø 280mm H 22.5mm C45 standard |                 |       |

sharpener units

knobs



|                    |                                     |                 |       |
|--------------------|-------------------------------------|-----------------|-------|
| <b>Part No.</b>    | 697765                              | <b>Ref. No.</b> | I1953 |
| <b>description</b> | star handle thread M6 ø 30mm L 22mm |                 |       |

sharpener units



|                    |                     |                 |       |
|--------------------|---------------------|-----------------|-------|
| <b>Part No.</b>    | 697768              | <b>Ref. No.</b> | A1064 |
| <b>description</b> | blade sharpener 220 |                 |       |

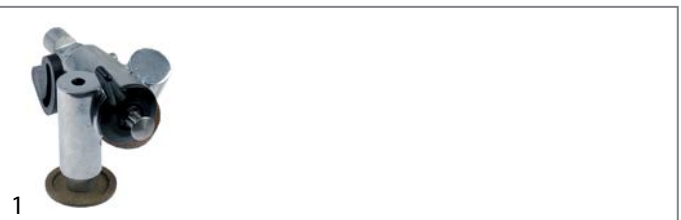


|                    |                         |                 |       |
|--------------------|-------------------------|-----------------|-------|
| <b>Part No.</b>    | 697769                  | <b>Ref. No.</b> | A1085 |
| <b>description</b> | blade sharpener 220-250 |                 |       |

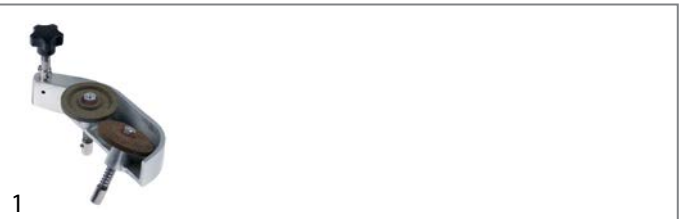
spare parts for 697769

|                    |  |                 |       |
|--------------------|--|-----------------|-------|
| <b>Part No.</b>    | 697423   | <b>Ref. No.</b> | M6624 |
| <b>description</b> | grindstone ø 40mm thickness 8mm bore ø 6mm grained fine with bevel, with hub |                 |       |

|                    |  |                 |       |
|--------------------|--|-----------------|-------|
| <b>Part No.</b>    | 697600   | <b>Ref. No.</b> | M6615 |
| <b>description</b> | grindstone ø 45mm thickness 10mm bore ø 6mm grained coarse without bevel |                 |       |



|                    |                     |                 |       |
|--------------------|---------------------|-----------------|-------|
| <b>Part No.</b>    | 697361              | <b>Ref. No.</b> | A1024 |
| <b>description</b> | blade sharpener 250 |                 |       |



|                    |                     |                 |       |
|--------------------|---------------------|-----------------|-------|
| <b>Part No.</b>    | 697364              | <b>Ref. No.</b> | A1059 |
| <b>description</b> | blade sharpener 250 |                 |       |



1

|                    |                     |                 |       |
|--------------------|---------------------|-----------------|-------|
| <b>Part No.</b>    | 697362              | <b>Ref. No.</b> | A1025 |
| <b>description</b> | blade sharpener 300 |                 |       |



1

|                    |                         |                 |       |
|--------------------|-------------------------|-----------------|-------|
| <b>Part No.</b>    | 697363                  | <b>Ref. No.</b> | A1026 |
| <b>description</b> | blade sharpener 350/370 |                 |       |



1

|                    |                       |                 |       |
|--------------------|-----------------------|-----------------|-------|
| <b>Part No.</b>    | 698655                | <b>Ref. No.</b> | A1127 |
| <b>description</b> | blade sharpener OG30E |                 |       |



1

|                    |                                   |                 |                |
|--------------------|-----------------------------------|-----------------|----------------|
| <b>Part No.</b>    | 697860                            | <b>Ref. No.</b> | A1027<br>A1028 |
| <b>description</b> | blade sharpener suitable for OMAS |                 |                |

## grindstones



1

|                    |   |                 |     |
|--------------------|---|-----------------|-----|
| <b>Part No.</b>    | 697797  | <b>Ref. No.</b> | N/A |
| <b>description</b> | grindstone ø 43mm thickness 12mm bore ø 6mm grained coarse with bevel, with hub |                 |     |



1

|                    |  |                 |     |
|--------------------|--|-----------------|-----|
| <b>Part No.</b>    | 697577   | <b>Ref. No.</b> | N/A |
| <b>description</b> | grindstone ø 48mm thickness 8mm bore ø 14.3mm grained fine with bevel, without hub |                 |     |



1

|                    |  |                 |       |
|--------------------|--|-----------------|-------|
| <b>Part No.</b>    | 697584   | <b>Ref. No.</b> | M6621 |
| <b>description</b> | grindstone ø 51mm thickness 7mm bore ø 14.3mm grained fine with bevel, without hub |                 |       |



1

|                    |   |                 |     |
|--------------------|---|-----------------|-----|
| <b>Part No.</b>    | 697588  | <b>Ref. No.</b> | N/A |
| <b>description</b> | grindstone ø 63mm thickness 10mm bore ø 14.3mm grained fine with bevel, without hub |                 |     |

## grindstones with hub



1

|                    |  |                 |       |
|--------------------|--|-----------------|-------|
| <b>Part No.</b>    | 697424   | <b>Ref. No.</b> | M6606 |
| <b>description</b> | grindstone ø 40mm thickness 8mm bore ø 6mm grained coarse with bevel, with hub |                 |       |



1

|                    |  |                 |       |
|--------------------|--|-----------------|-------|
| <b>Part No.</b>    | 697423   | <b>Ref. No.</b> | M6624 |
| <b>description</b> | grindstone ø 40mm thickness 8mm bore ø 6mm grained fine with bevel, with hub |                 |       |



1

|                    |  |                 |       |
|--------------------|--|-----------------|-------|
| <b>Part No.</b>    | 697357   | <b>Ref. No.</b> | M6601 |
| <b>description</b> | grindstone ø 50mm thickness 8mm bore ø 6mm grained coarse with bevel, with hub |                 |       |



1

|                    |  |                 |       |
|--------------------|--|-----------------|-------|
| <b>Part No.</b>    | 697358   | <b>Ref. No.</b> | M6622 |
| <b>description</b> | grindstone ø 50mm thickness 8mm bore ø 6mm grained fine with bevel, with hub |                 |       |



grindstones with shaft

1



|                    |  |                 |       |
|--------------------|--|-----------------|-------|
| <b>Part No.</b>    | 697359   | <b>Ref. No.</b> | P3458 |
| <b>description</b> | grindstone ø 51.5mm thickness 7mm grained fine with bolt |                 |       |


1



|                    |   |                 |       |
|--------------------|---|-----------------|-------|
| <b>Part No.</b>    | 697360  | <b>Ref. No.</b> | P3381 |
| <b>description</b> | grindstone ø 51mm thickness 15mm grained coarse with bolt |                 |       |

grindstones cup form

1



|                    |  |                 |       |
|--------------------|--|-----------------|-------|
| <b>Part No.</b>    | 697600   | <b>Ref. No.</b> | M6615 |
| <b>description</b> | grindstone ø 45mm thickness 10mm bore ø 6mm grained coarse without bevel |                 |       |

1




|                    |   |                 |     |
|--------------------|---|-----------------|-----|
| <b>Part No.</b>    | 697604  | <b>Ref. No.</b> | N/A |
| <b>description</b> | grindstone ø 48mm thickness 15mm bore ø 14.3mm grained coarse without bevel |                 |     |

1



|                    |   |                 |     |
|--------------------|---|-----------------|-----|
| <b>Part No.</b>    | 697603  | <b>Ref. No.</b> | N/A |
| <b>description</b> | grindstone ø 48mm thickness 15mm bore ø 14.3mm grained fine without bevel |                 |     |

1



|                    |   |                 |       |
|--------------------|---|-----------------|-------|
| <b>Part No.</b>    | 697607  | <b>Ref. No.</b> | M6602 |
| <b>description</b> | grindstone ø 51mm thickness 15mm bore ø 14.3mm grained coarse without bevel |                 |       |

1




|                    |   |                 |     |
|--------------------|---|-----------------|-----|
| <b>Part No.</b>    | 697610  | <b>Ref. No.</b> | N/A |
| <b>description</b> | grindstone ø 55mm thickness 15mm bore ø 14.3mm grained coarse without bevel |                 |     |

carriages

handles


1



|                    |                              |                 |       |
|--------------------|------------------------------|-----------------|-------|
| <b>Part No.</b>    | 111401                       | <b>Ref. No.</b> | I1936 |
| <b>description</b> | locking screw thread M8x1.25 |                 |       |

miscellaneous

1



|                        |  |                 |       |
|------------------------|--|-----------------|-------|
| <b>Part No.</b>        | 697370   | <b>Ref. No.</b> | S7595 |
| <b>description</b>     | bolt thread M8 ø 10mm L 25mm for equipment foot          |                 |       |
| <b>accessories for</b> | 697370   |                 |       |
| <b>Part No.</b>        | 697369   | <b>Ref. No.</b> | P5008 |
| <b>description</b>     | equipment foot ø 47mm H 35mm bore ø 9mm rubber Qty 1 pcs |                 |       |

for bandsaws

saw blades

width 16mm

1



|                    |   |                 |       |
|--------------------|---|-----------------|-------|
| <b>Part No.</b>    | 699033  | <b>Ref. No.</b> | L0663 |
| <b>description</b> | saw blade L 1650mm W 16mm thickness 0.5mm tooth spacing 6mm |                 |       |



|   |   |                 |       |
|---|---|-----------------|-------|
| 1  |   |                 |       |
| <b>Part No.</b>   | 699042  | <b>Ref. No.</b> | L0669 |
| <b>description</b>  | saw blade L 1980mm W 16mm thickness 0.5mm tooth spacing 6mm |                 |       |

## locks

|   |  |                 |       |
|---|--|-----------------|-------|
| 1  |  |                 |       |
| <b>Part No.</b>   | 697945   | <b>Ref. No.</b> | I2097 |
| <b>description</b>  | catch ø 40mm L 107mm handle length 57mm handle material plastic T210-250 |                 |       |

## for meat mincers

## grinder plates


## ENTERPRISE

## with 2 notches

## with hub

|  |  |                 |       |
|--|--|-----------------|-------|
| 1  |  |                 |       |
| <b>Part No.</b>  | 696698   | <b>Ref. No.</b> | P4019 |
| <b>description</b>   | grinder plate type ENTERPRISE size 22 hole ø 8mm with hub grooves 2 stainless steel ø 83mm |                 |       |

## UNGER

|   |   |                 |       |
|---|---|-----------------|-------|
| 1  |   |                 |       |
| <b>Part No.</b>   | 696162  | <b>Ref. No.</b> | P4030 |
| <b>description</b>  | grinder plate type Unger size 22 hole ømm flat grooves 1 stainless steel ø 81.6mm |                 |       |

## blades

## ENTERPRISE


|  |  |                 |       |
|--|--|-----------------|-------|
| 1  |  |                 |       |
| <b>Part No.</b>  | 696699   | <b>Ref. No.</b> | C5213 |
| <b>description</b>   | knife type ENTERPRISE size 22 ø 74mm internal size 13x13mm stainless steel |                 |       |

## UNGER

## with fixed blades

|  |  |                 |       |
|--|--|-----------------|-------|
| 1  |  |                 |       |
| <b>Part No.</b>  | 696031   | <b>Ref. No.</b> | C5211 |
| <b>description</b>   | knife type Unger size H-82 (22) ø 73mm stainless steel |                 |       |

## plungers

|   |   |                 |       |
|---|---|-----------------|-------|
| 1  |   |                 |       |
| <b>Part No.</b>   | 698657                                    | <b>Ref. No.</b> | P6979 |
| <b>description</b>  | plunger ø 50mm L 115mm total length 215mm |                 |       |


## for espresso machines

## filter holders

## filter holders standard

## handles

## with bore

|  |   |                 |       |
|--|---|-----------------|-------|
| 1  |   |                 |       |
| <b>Part No.</b>  | 698835                                      | <b>Ref. No.</b> | I1927 |
| <b>description</b>   | handle ø 26mm aperturemm IT M6 L 70mm black |                 |       |



for tilting bratt pans

miscellaneous



|                    |  |                 |                |
|--------------------|--|-----------------|----------------|
| <b>Part No.</b>    | 523510   | <b>Ref. No.</b> | C8014<br>C8055 |
| <b>description</b> | deep-groove ball bearing type 6202-2RS shaft $\varnothing$ 15mm ED $\varnothing$ 35mm W 11mm with sealing discs deep-groove ball bearing DIN 625-1 |                 |                |

handles and hand wheels

star handles



|                    |   |                 |       |
|--------------------|---|-----------------|-------|
| <b>Part No.</b>    | 697765  | <b>Ref. No.</b> | I1953 |
| <b>description</b> | star handle thread M6 $\varnothing$ 30mm L 22mm |                 |       |

miscellaneous



|                    |   |                 |       |
|--------------------|---|-----------------|-------|
| <b>Part No.</b>    | 697766  | <b>Ref. No.</b> | I1926 |
| <b>description</b> | handle L 50mm W 17mm $\varnothing$ 35mm thread M8 |                 |       |

equipment feet and end caps


bolting feet



|                    |   |                 |       |
|--------------------|---|-----------------|-------|
| <b>Part No.</b>    | 697764  | <b>Ref. No.</b> | P5011 |
| <b>description</b> | equipment foot $\varnothing$ 35mm H 30mm bore $\varnothing$ 6mm Qty 1 pcs |                 |       |

equipment feet with stem



|   |  |                 |                       |
|---|--|-----------------|-----------------------|
| <b>Part No.</b>   | 697369   | <b>Ref. No.</b> | P5008                 |
| <b>description</b>  | equipment foot $\varnothing$ 47mm H 35mm bore $\varnothing$ 9mm rubber Qty 1 pcs |                 |                       |
| <b>accessories for</b>  | 697369   |                 |                       |
|  | <b>Part No.</b>  | 697370          | <b>Ref. No.</b> S7595 |
|   | bolt thread M8 $\varnothing$ 10mm L 25mm for equipment foot                      |                 |                       |

transmission technology and ball bearings

ball bearings

deep-groove ball bearings 2RS




|                    |   |                 |       |
|--------------------|---|-----------------|-------|
| <b>Part No.</b>    | 523507  | <b>Ref. No.</b> | C8067 |
| <b>description</b> | deep-groove ball bearing type 6000-2RS shaft $\varnothing$ 10mm ED $\varnothing$ 26mm W 8mm with sealing discs deep-groove ball bearing DIN 625-1 |                 |       |



|                    |  |                 |       |
|--------------------|--|-----------------|-------|
| <b>Part No.</b>    | 523011   | <b>Ref. No.</b> | C8019 |
| <b>description</b> | deep-groove ball bearing type 6002-2RS shaft $\varnothing$ 15mm ED $\varnothing$ 32mm W 9mm with sealing discs DIN 625-1 |                 |       |



|                    |  |                 |       |
|--------------------|--|-----------------|-------|
| <b>Part No.</b>    | 523522   | <b>Ref. No.</b> | C8058 |
| <b>description</b> | deep-groove ball bearing type 6004-2RS shaft $\varnothing$ 20mm ED $\varnothing$ 42mm W 12mm with sealing discs deep-groove ball bearing DIN 625-1 |                 |       |

1

|                    |  |                 |       |
|--------------------|--|-----------------|-------|
| <b>Part No.</b>    | 523525   | <b>Ref. No.</b> | C8026 |
| <b>description</b> | deep-groove ball bearing type 6005-2RS shaft ø 25mm ED ø 47mm W 12mm with sealing discs deep-groove ball bearing DIN 625-1 |                 |       |



1

|                    |  |                 |       |
|--------------------|--|-----------------|-------|
| <b>Part No.</b>    | 523542   | <b>Ref. No.</b> | C8020 |
| <b>description</b> | deep-groove ball bearing type 6008-2RS shaft ø 40mm ED ø 68mm W 15mm with sealing discs deep-groove ball bearing DIN 625-1 |                 |       |



1

|                    |   |                 |       |
|--------------------|---|-----------------|-------|
| <b>Part No.</b>    | 505011  | <b>Ref. No.</b> | C8029 |
| <b>description</b> | deep-groove ball bearing type 6200-2RS shaft ø 10mm ED ø 30mm W 9mm DIN 625-1 |                 |       |



1

|                    |  |                 |       |
|--------------------|--|-----------------|-------|
| <b>Part No.</b>    | 523509   | <b>Ref. No.</b> | C8021 |
| <b>description</b> | deep-groove ball bearing type 6201-2RS shaft ø 12mm ED ø 32mm W 10mm with sealing discs deep-groove ball bearing DIN 625-1 |                 |       |



1

|                    |  |                 |                |
|--------------------|--|-----------------|----------------|
| <b>Part No.</b>    | 523510   | <b>Ref. No.</b> | C8014<br>C8055 |
| <b>description</b> | deep-groove ball bearing type 6202-2RS shaft ø 15mm ED ø 35mm W 11mm with sealing discs deep-groove ball bearing DIN 625-1 |                 |                |




1

|                    |  |                 |       |
|--------------------|--|-----------------|-------|
| <b>Part No.</b>    | 523511   | <b>Ref. No.</b> | C8022 |
| <b>description</b> | deep-groove ball bearing type 6203-2RS shaft ø 17mm ED ø 40mm W 12mm with sealing discs deep-groove ball bearing DIN 625-1 |                 |       |



1

|                    |  |                 |       |
|--------------------|--|-----------------|-------|
| <b>Part No.</b>    | 523512   | <b>Ref. No.</b> | C8024 |
| <b>description</b> | deep-groove ball bearing type 6204-2RS shaft ø 20mm ED ø 47mm W 14mm with sealing discs deep-groove ball bearing DIN 625-1 |                 |       |



1

|                    |  |                 |       |
|--------------------|--|-----------------|-------|
| <b>Part No.</b>    | 523513   | <b>Ref. No.</b> | C8056 |
| <b>description</b> | deep-groove ball bearing type 6205-2RS shaft ø 25mm ED ø 52mm W 15mm with sealing discs deep-groove ball bearing DIN 625-1 |                 |       |



1

|                    |  |                 |       |
|--------------------|--|-----------------|-------|
| <b>Part No.</b>    | 523524   | <b>Ref. No.</b> | C8057 |
| <b>description</b> | deep-groove ball bearing type 6206-2RS shaft ø 30mm ED ø 62mm W 16mm with sealing discs deep-groove ball bearing DIN 625-1 |                 |       |



1

|                    |   |                 |       |
|--------------------|---|-----------------|-------|
| <b>Part No.</b>    | 523027  | <b>Ref. No.</b> | C8030 |
| <b>description</b> | deep-groove ball bearing type 6207-2RS shaft ø 35mm ED ø 72mm W 17mm with sealing discs DIN 625-1 |                 |       |




1

|                    |  |                 |       |
|--------------------|--|-----------------|-------|
| <b>Part No.</b>    | 523526   | <b>Ref. No.</b> | C8059 |
| <b>description</b> | deep-groove ball bearing type 6302-2RS shaft $\varnothing$ 15mm ED $\varnothing$ 42mm W 13mm with sealing discs deep-groove ball bearing DIN 625-1 |                 |       |



1

|                    |   |                 |       |
|--------------------|---|-----------------|-------|
| <b>Part No.</b>    | 698613  | <b>Ref. No.</b> | C8007 |
| <b>description</b> | deep-groove ball bearing shaft $\varnothing$ 17mm ED $\varnothing$ 40mm W 12mm type 6203-2Z DIN 625-1 |                 |       |




1

|                    |  |                 |       |
|--------------------|--|-----------------|-------|
| <b>Part No.</b>    | 523516   | <b>Ref. No.</b> | C8060 |
| <b>description</b> | deep-groove ball bearing type 6303-2RS shaft $\varnothing$ 17mm ED $\varnothing$ 47mm W 14mm with sealing discs deep-groove ball bearing DIN 625-1 |                 |       |



1

|                    |   |                 |       |
|--------------------|---|-----------------|-------|
| <b>Part No.</b>    | 523032  | <b>Ref. No.</b> | C8008 |
| <b>description</b> | deep-groove ball bearing shaft $\varnothing$ 20mm ED $\varnothing$ 42mm W 12mm type 6004-2Z DIN 625-1 |                 |       |




1

|                    |  |                 |       |
|--------------------|--|-----------------|-------|
| <b>Part No.</b>    | 523517   | <b>Ref. No.</b> | C8061 |
| <b>description</b> | deep-groove ball bearing type 6304-2RS shaft $\varnothing$ 20mm ED $\varnothing$ 52mm W 15mm with sealing discs deep-groove ball bearing DIN 625-1 |                 |       |



1

|                    |   |                 |       |
|--------------------|---|-----------------|-------|
| <b>Part No.</b>    | 523539  | <b>Ref. No.</b> | C8009 |
| <b>description</b> | deep-groove ball bearing shaft $\varnothing$ 20mm ED $\varnothing$ 47mm W 14mm type 6204-2Z DIN 625-1 |                 |       |



1

|                    |  |                 |       |
|--------------------|--|-----------------|-------|
| <b>Part No.</b>    | 523518   | <b>Ref. No.</b> | C8088 |
| <b>description</b> | deep-groove ball bearing type 6305-2RS shaft $\varnothing$ 25mm ED $\varnothing$ 62mm W 17mm with sealing discs deep-groove ball bearing DIN 625-1 |                 |       |



1

|                    |   |                 |       |
|--------------------|---|-----------------|-------|
| <b>Part No.</b>    | 692033  | <b>Ref. No.</b> | C8031 |
| <b>description</b> | deep-groove ball bearing shaft $\varnothing$ 25mm ED $\varnothing$ 47mm W 12mm type 6005-2Z DIN 625-1 |                 |       |

deep-groove ball bearings 2Z



1

|                    |   |                 |       |
|--------------------|---|-----------------|-------|
| <b>Part No.</b>    | 523057  | <b>Ref. No.</b> | C8006 |
| <b>description</b> | deep-groove ball bearing shaft $\varnothing$ 17mm ED $\varnothing$ 35mm W 10mm type 6003-2Z DIN 625-1 |                 |       |



1

|                    |   |                 |       |
|--------------------|---|-----------------|-------|
| <b>Part No.</b>    | 523540  | <b>Ref. No.</b> | C8011 |
| <b>description</b> | deep-groove ball bearing shaft $\varnothing$ 25mm ED $\varnothing$ 52mm W 15mm type 6205-2Z DIN 625-1 |                 |       |





1

|                    |   |                 |       |
|--------------------|---|-----------------|-------|
| <b>Part No.</b>    | 523058  | <b>Ref. No.</b> | C8013 |
| <b>description</b> | deep-groove ball bearing shaft $\varnothing$ 30mm ED $\varnothing$ 55mm W 13mm type 6006-2Z DIN 625-1 |                 |       |

2



|                    |   |                 |       |
|--------------------|---|-----------------|-------|
| <b>Part No.</b>    | 523030  | <b>Ref. No.</b> | C8025 |
| <b>description</b> | deep-groove ball bearing shaft $\varnothing$ 30mm ED $\varnothing$ 62mm W 16mm type 6206-2Z DIN 625-1 |                 |       |

angular contact ball bearings

1



|                    |  |                 |       |
|--------------------|--|-----------------|-------|
| <b>Part No.</b>    | 523531   | <b>Ref. No.</b> | C8040 |
| <b>description</b> | angular contact ball bearing shaft $\varnothing$ 17mm ED $\varnothing$ 40mm W 12mm type 7203-BEP DIN 628 |                 |       |

1

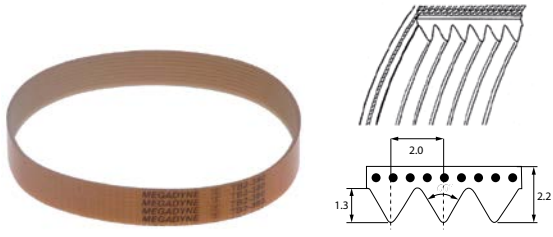


|                    |  |                 |       |
|--------------------|--|-----------------|-------|
| <b>Part No.</b>    | 523530   | <b>Ref. No.</b> | C8041 |
| <b>description</b> | angular contact ball bearing shaft $\varnothing$ 20mm ED $\varnothing$ 47mm W 14mm type 7204-BEP DIN 628 |                 |       |

drive belts

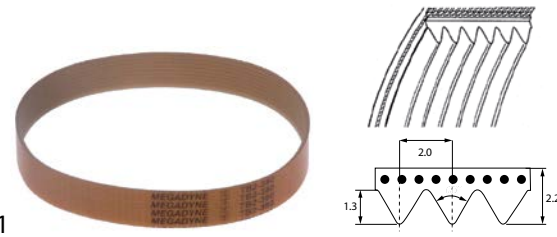
poly-v belts

1



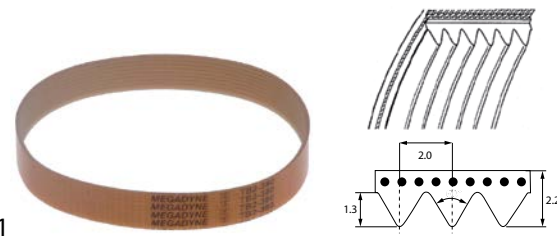
|                    |   |                 |     |
|--------------------|---|-----------------|-----|
| <b>Part No.</b>    | 697624  | <b>Ref. No.</b> | N/A |
| <b>description</b> | poly-v belt grooves 10 W 20mm L 770mm profile TB2 |                 |     |

1



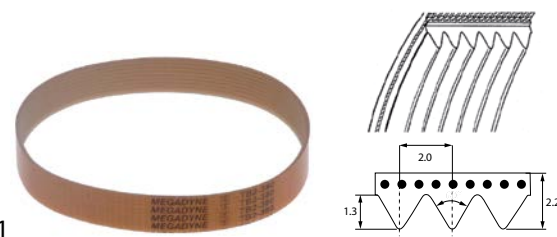
|                    |   |                 |       |
|--------------------|---|-----------------|-------|
| <b>Part No.</b>    | 697830  | <b>Ref. No.</b> | C4813 |
| <b>description</b> | poly-v belt grooves 11 W 21.5mm L 330mm profile TB2 |                 |       |

1



|                    |  |                 |       |
|--------------------|--|-----------------|-------|
| <b>Part No.</b>    | 697613   | <b>Ref. No.</b> | C4809 |
| <b>description</b> | poly-v belt grooves 8 W 16mm L 295mm profile TB2 |                 |       |

1



|                    |  |                 |       |
|--------------------|--|-----------------|-------|
| <b>Part No.</b>    | 697367   | <b>Ref. No.</b> | C4818 |
| <b>description</b> | poly-v belt grooves 8 W 16mm L 330mm profile TB2 |                 |       |

**GASTRO**PARTS.COM

