



GASTROPARTS

NTF

- [EN]** Equipment
- [DE]** Geräte
- [ES]** Aparatos
- [FR]** Équipement
- [IT]** Attrezzature
- [PL]** Urządzenia
- [RU]** Оборудование

✉ gastroparts@gastroparts.com

☎ tel. +48 56 657 00 66

📘 fb.com/gastroparts.global

GASTROPARTS.COM





thermostats

refrigeration thermostats

RANCO

K22 series



1

Part No.	390524	Ref. No.	23004 23591 N23004 N23591 N24727 NR23591 NR23951
description	thermostat RANCO type K22L1082 probe ømm probe Lmm capillary pipe 2000mm temperature range -22 up to -3°C		



1

Part No.	390589	Ref. No.	23597 NR23597
description	thermostat RANCO type K22L1083 probe ø 2mm probe Lmm capillary pipe 2300mm		

K50 series



1

Part No.	390288	Ref. No.	N23034 NR23034
description	thermostat RANCO type K50L3163 probe ømm probe Lmm capillary pipe 2100mm temperature range -24 up to -14°C		



1

Part No.	390588	Ref. No.	23421 N23421 NR23421
description	thermostat RANCO type K50L3274 probe ø 2mm probe Lmm capillary pipe 3000mm		



1

Part No.	390286	Ref. No.	23005 NR23005
description	thermostat RANCO type K50L3383 probe ømm probe Lmm capillary pipe 1500mm temperature range +1 up to +3°C		

switches and momentary switches

rocker/momentary rocker switches

30x22mm

labelled



1

Part No.	300125	Ref. No.	23327 N23327
description	rocker switch mounting measurements 30x22mm green 2NO 230V 16A 0-1 connection male faston 6.3mm ambient temperature max. 125/55°C protection IP65 with cover cap		

accessories for 300125



1

Part No.	301036	Ref. No.	—
description	protective cover internal size 30x22mm for rocker switch mounting measurementsmm		




microswitches

universal




1

Part No.	345042	Ref. No.	23196 23372 N23196 N23372
description	microswitch with plunger 250V 16A 1CO connection male faston 6.3mm L 28mm ambient temperature max. 125°C mounting distance 22mm type EF83161.3 actuating force: 75g blue/black		
accessories for	345042		
	Part No.	345043	Ref. No. —
	lever set 5-piece		

pin-plunger actuated



1


Part No.	345042	Ref. No.	23196 23372 N23196 N23372
description	microswitch with plunger 250V 16A 1CO connection male faston 6.3mm L 28mm ambient temperature max. 125°C mounting distance 22mm type EF83161.3 actuating force: 75g blue/black		
accessories for	345042		
	Part No.	345043	Ref. No. —
	lever set 5-piece		

timers

programme timers




1

Part No.	360525	Ref. No.	N23247
description	timer CDC 11904 engines 1 chambers 4 operation time 10min 230V shaft ømm shaft Lmm manuf. no. 11904F1 / BCR000.0000 motor type M48R ATS		
spare parts for	360525		
	Part No.	360118	Ref. No. —
	motor CDC pinion ø 4.9mm teeth 10 230V voltage AC 50/60Hz turn direction right motor ø 47mm H 19.3mm motor type M48R ATS for timer cable length 260mm 1.9/2.5W		



1

Part No.	360524	Ref. No.	23222 N23222
description	timer CDC 11904 engines 1 chambers 4 operation time 12min 230V shaft ømm shaft Lmm manuf. no. 11904F1 / BDR000.0000 motor type M48R ATS		
spare parts for	360524		
	Part No.	360118	Ref. No. —
	motor CDC pinion ø 4.9mm teeth 10 230V voltage AC 50/60Hz turn direction right motor ø 47mm H 19.3mm motor type M48R ATS for timer cable length 260mm 1.9/2.5W		



1

Part No.	360566	Ref. No.	23259 N23259
description	timer CDC 11904 engines 1 chambers 4 operation time 15min 115V 60Hz shaft ømm shaft Lmm manuf. no. 11904F1BEI000.0010 motor type M48R ATS voltage AC		





1

Part No.	360565	Ref. No.	23396 23780 N23396 N23780
description	timer CDC 11904 engines 1 chambers 4 operation time 18min 230V 50/60Hz shaft ømm shaft Lmm manuf. no. 11904F1BFE000.0030 motor type M48R ATS voltage AC		




1

Part No.	360549	Ref. No.	23635 N23635
description	timer CDC 11904 engines 1 chambers 4 operation time 8min 230V 50/60Hz shaft ømm shaft Lmm manuf. no. 11904F1 / DER000.0010		
spare parts for	360549		
	Part No.	360118	Ref. No. —
	motor CDC pinion ø 4.9mm teeth 10 230V voltage AC 50/60Hz turn direction right motor ø 47mm H 19.3mm motor type M48R ATS for timer cable length 260mm 1.9/2.5W		





1


Part No.	360154	Ref. No.	N23248
description	timer FIBER P20 engines 1 chambers 4 operation time 15min 230V shaft ømm shaft Lmm manuf. no. P205J04J714 motor type M51B-J0R6400		
spare parts for	360154		
	Part No.	360673	Ref. No. —
description	motor kit pinion ø 6.8mm teeth 15 230V voltage AC 50/60Hz turn direction clockwise motor ø 48mm H 18.5mm motor type UDS-40NE1RNZ165 cable length 150mm with holder		

probes

sensors




1

Part No.	401611	Ref. No.	23676 N23676 NR23676
description	sensor ø 18mm L 44mm thread M10x1 cable length 1450mm		
accessories for	401611		
	Part No.	521129	Ref. No. —
description	nut thread M10 H 6mm SS WS 17 Qty 1 pcs DIN/ISO DIN 439		

contactors

LOVATO

power contactors




1

Part No.	380964	Ref. No.	23594 N23594
description	power contactor resistive load 20A 230VAC (AC3/400V) 9A/4kW main contacts 4NO auxiliary contacts connection screw connection type 11BG09T4A230		

relays

supervisory relays



1

Part No.	401610	Ref. No.	23633 N23633
description	supervisory relay revolutions		


solenoïd valves

solenoïd valves (water)

RPE

solenoïd valves with reducers

single




1

Part No.	370440	Ref. No.	N10368
description	solenoid valve 1-fold, without membrane (constantly open) angled inlet 3/4" outlet 11.5mm input 10-12l/min RPE plastic flow regulating valve inlet white		

TP


solenoïd valves with reducers





1


Part No.	370437	Ref. No.	23010 N23010 NC23507
description	solenoid valve double angled 230VAC inlet 3/4" input 10l/min output 1.2/1.2l/min DN10 t.max. 90°C TP plastic flow regulating valve inlet white outlet 11.5mm output A 1.2l/min output B 1.2l/min flow regulating valve outlet A dark brown flow regulating valve outlet B dark brown		





			
1			
Part No.	370436	Ref. No.	23498 N23498
description	solenoid valve double angled 230VAC inlet 3/4" input/min output 0.6/0.6l/min DN10 t.max. 90°C TP plastic outlet 11.5mm output A 0.6l/min output B 0.6l/min flow regulating valve outlet A orange flow regulating valve outlet B orange		


			
1			
Part No.	370438	Ref. No.	23502 N23502 NC23502
description	solenoid valve double angled 230VAC inlet 3/4" t.max. 90°C TP plastic outlet 11.5mm output A 1.2l/min output B 0.8l/min flow regulating valve outlet A dark brown flow regulating valve outlet B white		


			
1			
Part No.	370395	Ref. No.	23116 N23116
description	solenoid valve double angled 230VAC inlet 3/4" input/min output 0.8/0.8l/min DN10 t.max. 90°C TP plastic outlet 11.5mm output A 0.8l/min output B 0.8l/min flow regulating valve outlet A white flow regulating valve outlet B white		

			
1			
Part No.	370445	Ref. No.	23501 N23501
description	solenoid valve double angled 230VAC inlet 3/4" t.max. 90°C TP plastic outlet 11.5mm output A 2.5l/min output B 0.8l/min flow regulating valve outlet A yellow flow regulating valve outlet B white		


			
1			
Part No.	370434	Ref. No.	23157 N23157
description	solenoid valve double angled 230VAC inlet 3/4" input/min output 2.5/2.5l/min DN10 t.max. 90°C TP plastic outlet 11.5mm output A 2.5l/min output B 2.5l/min flow regulating valve outlet A yellow flow regulating valve outlet B yellow		


			
1			
Part No.	370449	Ref. No.	23220 N23220 NC23220
description	solenoid valve single angled 230VAC inlet 3/4" outlet 11.5mm input 2.5l/min output/min DN10 t.max. 90°C TP plastic flow regulating valve inlet yellow		


			
1			
Part No.	370435	Ref. No.	N23542
description	solenoid valve double angled 230VAC inlet 3/4" t.max. 90°C TP plastic outlet 11.5mm output A 0.5l/min output B 0.8l/min flow regulating valve outlet A orange flow regulating valve outlet B white		


			
1			
Part No.	370451	Ref. No.	23641 23787 23819 N23641 N23787 N23819
description	solenoid valve single angled 230VAC inlet 3/4" outlet 11.5mm input 3l/min t.max. 90°C TP plastic flow regulating valve inlet red		




			
1			
Part No.	370450	Ref. No.	23623 N23623
description	solenoid valve single angled 230VAC inlet 3/4" outlet 11.5mm input 5l/min t.max. 90°C TP plastic flow regulating valve outlet white flow regulating valve inlet pink		

			
1			
Part No.	370401	Ref. No.	23108 N23108
description	solenoid valve single angled 230VAC inlet 3/4" outlet 11.5mm output 2.5l/min t.max. 90°C TP plastic flow regulating valve outlet yellow		

			
1			
Part No.	370426	Ref. No.	23497 N23497
description	solenoid valve single angled 230VAC inlet 3/4" outlet 11.5mm input/ min output 0.6l/min DN10 t.max. 90°C TP plastic flow regulating valve outlet orange		

			
1			
Part No.	370448	Ref. No.	N23537
description	solenoid valve single angled 230VAC cable length 600mm inlet 1/4"mm		

			
1			
Part No.	370399	Ref. No.	23115 N23115
description	solenoid valve single angled 230VAC inlet 3/4" outlet 11.5mm input/ min output 0.8l/min DN10 t.max. 90°C TP plastic		


solenoid valves (refrigeration)

CASTEL

valve bodies

STANDARD series

suitable for refrigerants R22, R134a, R404A, R407C, R410A, R507

			
1			
Part No.	370427	Ref. No.	23001 N23001
description	solenoid valve single angled 230VAC inlet 3/4" outlet 11.5mm input/ min output 1.2l/min DN10 t.max. 90°C TP plastic flow regulating valve outlet dark brown		



			
1			
Part No.	370151	Ref. No.	20410 N20410
description	solenoid valve body NC type 1028/2 S p max 45bar connection 1/4" soldering connection DN 2.2mm -35 up to +105°C L 125mm refrigeration straight CASTEL		
accessories for	370151		
	Part No.	371084	Ref. No. —
	solenoid coil CASTEL 230VAC 8VA 50/60Hz connection cable 1000mm type CM2		
	Part No.	371090	Ref. No. —
	power socket plug type DIN 43650A screw		
	Part No.	371301	Ref. No. —
	solenoid coil CASTEL 110VAC 8VA 50/60Hz seat ø 11.5mm connection DIN 43650A type HF2		
	Part No.	371314	Ref. No. —
	solenoid coil CASTEL 240VAC 8VA 50/60Hz seat ø 11.5mm		

Table continues overleaf





accessories for	370151			
	Part No.	371321	Ref. No.	—
	solenoid coil CASTEL 12/24VAC 50/60Hz seat ø 11.5mm connection DIN 43650A type HF2			

spare parts and accessories



1

Part No.	371041	Ref. No.	23091 N23091
description	solenoid coil CASTEL 240VAC 8VA 50/60Hz seat ø 11.5mm connection DIN 43650A type HM2		

accessories for	371041			
	Part No.	371090	Ref. No.	—
	power socket plug type DIN 43650A screw			
	Part No.	371092	Ref. No.	—
	power socket plug type DIN large cable length 1000mm			

pressure switches

for refrigeration

SAGI NO MIYA



1

Part No.	541480	Ref. No.	23342 N23342
description	pressure control HD reset manual p max 33bar refrigeration type FTB-3UC37 connection male faston 6.3mm switch-off pressure 30bar -20 to +70°C		



1

Part No.	541479	Ref. No.	23175 N23175
description	pressure control HD reset automatic refrigeration type HTB-X114 connection 2.4mm		

compressors

EMBRACO / ASPERA

R404a/R507

HMBP monophase

High/Medium evaporation temperature above -20/-15 °C



1

Part No.	605161	Ref. No.	N23505
description	compressor coolant R404a/R507 type NEK6210GK 220-240V 50Hz HMBP fully hermetic 8.5kg 3/8HP cylinder capacity 8.78cm ³ CSIR H 200mmW 566W 674W 815W 988W 1195W 1435W 1707W		



1

Part No.	605190	Ref. No.	N23438
description	compressor coolant R404a/R507 type NJ9232GK 220-240V 50Hz HMBP 22.1kg 1 1/4HP cylinder capacity 26.2cm ³ CSR H 277mmWW 1093W 1470W 1911W 2413W 2973W 3588W 4255W ambient temperature max. 45°C		



fans

refrigeration fans

refrigeration motors universal

ELCO

BT series - capacitor motors



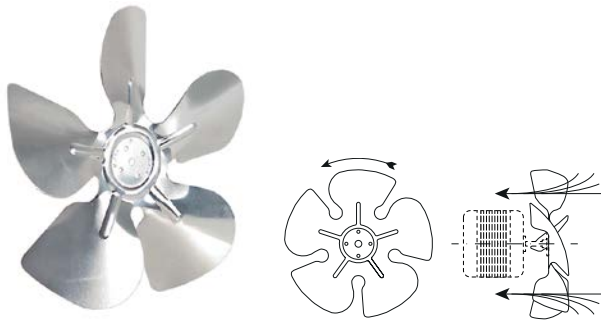
1			
Part No.	601420 ¹	Ref. No.	23121 N23121
description	fan motor 45W 230V 50Hz L1 53mm L2 18mm L3 120mm W 103mm cable length 500mm 1300rpm ELCO 3FBT 50-40/15 3 mounting options bearing slide bearing		

¹incl. capacitor

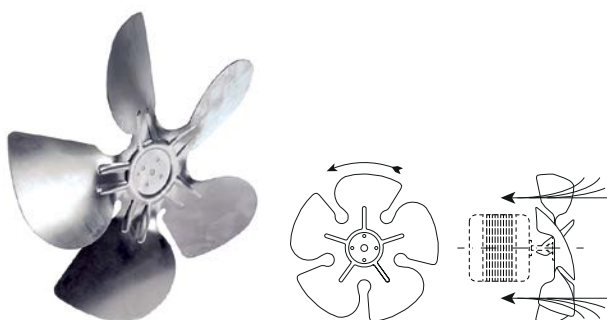
accessories

fan wheels

aluminium

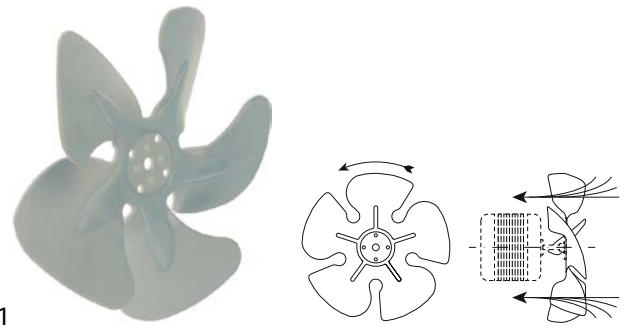


1			
Part No.	601284	Ref. No.	20031 N20031
description	fan wheel sucking ø 254mm fan wheel mounting 25.4mm blade angle 28° W 42mm aluminium		



1			
Part No.	601410	Ref. No.	20407 N20407
description	fan wheel sucking ø 300mm fan wheel mounting 25.4mm blade angle 28° W 45mm aluminium		

plastic



1			
Part No.	601412	Ref. No.	N10213
description	fan wheel sucking ø 154mm fan wheel mounting 25.4mm blade angle 28° W 34mm plastic		

cooling motors (various)

refrigeration motors with foot



1			
Part No.	601418	Ref. No.	N23029
description	fan motor 10W 230V 50Hz L1 48mm L2 70mm L3 85mm W 83mm feet depth 72mm cable length 500mm connection with plug		

motors

gear motors

for ice-cube maker

miscellaneous



1			
Part No.	500675	Ref. No.	N23532
description	gear motor 220/240V 50Hz for flake ice maker		





pumps



pumps for ice machines

electric components




Part No.	500590	Ref. No.	N23377 NC23377
description	pump FIR type 4240.2300 120W 230V 50/60Hz inlet ø 22mm outlet ø 22mm L 240mm rotation direction right for ice-cube maker capacitor 5µF		
spare parts for	500590		
	Part No.	601412	Ref. No. N10213
	fan wheel sucking ø 154mm fan wheel mounting 25.4mm blade angle 28° W 34mm plastic		
	Part No.	601413	Ref. No. —
	fixing plate suitable for fanwheel ED ø 32mm shaft ø 7 mounting distance 26mm		






Part No.	500591	Ref. No.	NC23691
description	pump FIR type 4240.2301 120W 230V 50/60Hz inlet ø 22mm outlet ø 22mm L 260mm rotation direction right capacitor 5µF		
spare parts for	500591		
	Part No.	601412	Ref. No. N10213
	fan wheel sucking ø 154mm fan wheel mounting 25.4mm blade angle 28° W 34mm plastic		
	Part No.	601413	Ref. No. —
	fixing plate suitable for fanwheel ED ø 32mm shaft ø 7 mounting distance 26mm		






Part No.	499233	Ref. No.	C23858
description	pump REBO 45W 220/240V 50Hz inlet ø 19mm outlet ø 17mm L 110mm rotation direction left for ice-cube maker		
spare parts for	499233		
	Part No.	530639	Ref. No. —
	impeller suitable for REBO ø 42mm ID ø 6x7mm H 17mm		




Part No.	500165	Ref. No.	23002 NC23002
description	pump REBO type 63/35 120W 230V 50/60Hz inlet ø 28mm outlet ø 26mm L 180mm rotation direction right for ice-cube maker capacitor 5µF		
spare parts for	500165		
	Part No.	365017	Ref. No. —
	operating capacitor capacity 5µF 450V tolerance 5% 50/60Hz ambient temperature max. -25 to +85°C ø 28mm L 54mm M8 plastic connection male faston 6.3mm 16.10.08 protection		
	Part No.	601412	Ref. No. N10213
	fan wheel sucking ø 154mm fan wheel mounting 25.4mm blade angle 28° W 34mm plastic		
	Part No.	601413	Ref. No. —
	fixing plate suitable for fanwheel ED ø 32mm shaft ø 7 mounting distance 26mm		






Part No.	500166	Ref. No.	N23068 NC23068
description	pump REBO type 63/45 150W 230V 50/60Hz inlet ø 28mm outlet ø 26mm L 200mm rotation direction right capacitor 5µF		
spare parts for	500166		
	Part No.	365017	Ref. No. —
	operating capacitor capacity 5µF 450V tolerance 5% 50/60Hz ambient temperature max. -25 to +85°C ø 28mm L 54mm M8 plastic connection male faston 6.3mm 16.10.08 protection		
	Part No.	601412	Ref. No. N10213
	fan wheel sucking ø 154mm fan wheel mounting 25.4mm blade angle 28° W 34mm plastic		
	Part No.	601413	Ref. No. —
	fixing plate suitable for fanwheel ED ø 32mm shaft ø 7 mounting distance 26mm		




1




Part No.	499232	Ref. No.	NC26557
description	pump REBO type NR40 55W 220/240V 50Hz inlet ø 19mm outlet ø 18mm L 110mm rotation direction left for ice-cube maker with filter		
spare parts for	499232		
	Part No.	500970	Ref. No. 23073 N23073
	pump motor 55W 230V 50Hz REBO L 205mm type outlet ømm suitable for for ice maker		
	Part No.	695531	Ref. No. 10139 N10139
	supply filter thread 1" total length 100mm plastic with metal filter ø 18mm		
	Part No.	695539	Ref. No. 10188 N10188
	intake valve with float		


1




Part No.	500164	Ref. No.	NC23254
description	pump REBO type NR40 55W 220/240V 50Hz outlet ø 17mm L 113mm rotation direction left for ice-cube maker outlet upper		

1



Part No.	500161	Ref. No.	NC23056 NC23076
description	pump REBO type NR40 55W 230V 50Hz outlet ø 17mm L 110mm rotation direction left for ice-cube maker		
spare parts for	500161		
	Part No.	500970	Ref. No. 23073 N23073
	pump motor 55W 230V 50Hz REBO L 205mm type outlet ømm suitable for for ice maker		

1




Part No.	500592	Ref. No.	NC23566
description	pump REBO type NR40 55W 230V 50Hz outlet ø 17mm L 110mm rotation direction left for ice-cube maker		

1




Part No.	500593	Ref. No.	NC23624
description	pump REBO type NR40 55W 230V 50Hz outlet ø 17mm L 110mm rotation direction left for ice-cube maker		

1




Part No.	500596	Ref. No.	NC23626
description	pump REBO type NR50 60W 230V 50Hz outlet ø 17mm L 110mm rotation direction left for ice-cube maker		

1



Part No.	501408	Ref. No.	N23818
description	pump REBO type PV35 110W 220/240V 50Hz inlet ø 20mm outlet ø 26mm L 205mm for ice-cube maker capacitor 2µF with temperature protection		

1




Part No.	500970	Ref. No.	23073 N23073
description	pump motor 55W 230V 50Hz REBO L 205mm type outlet ømm suitable for for ice maker		

condensators & interference suppression filters

filters

RC circuits


			
1			
Part No.	365211	Ref. No.	N23457
description	interference suppression filter type XRY RC MKPX2 275V connection plug		

equipment-specific units



for ice-cube maker


drain systems



drain fittings




			
1			
Part No.	695620	Ref. No.	N10472
description	drain fitting straight connection 24mm for ice maker		

overflow pipes


			
1			
Part No.	695622	Ref. No.	N10305
description	lid for overflow pipe tube ø 34mm		
accessories for	695622		
	Part No.	695086	Ref. No.
			10133 N10133
	overflow pipe tube ø 20.5mm pipe length 88.6mm		

			
1			
Part No.	695083	Ref. No.	13028 N13028
description	overflow pipe ID ø 22mm D1 ø 27mm D2 ø 19mm L 144mm		

			
1			
Part No.	695086	Ref. No.	10133 N10133 N10133+N20233
description	overflow pipe tube ø 20.5mm pipe length 88.6mm		
accessories for	695086		
	Part No.	532517	Ref. No.
			—
	O-ring silicone thickness 1.78mm ID ø 17.17mm Qty 1 pcs		

accessories for	695086		
	Part No.	695059	Ref. No.
			10007 N10007 N10007/A
	hose connector for ice-cube maker		
	Part No.	695537	Ref. No.
			N13006
	gasket silicone ED ø 40mm ID ø 30mm thickness 2mm Qty 1 pcs		
	Part No.	695622	Ref. No.
			N10305
	lid for overflow pipe tube ø 34mm		



reducing rings


			
1			
Part No.	699157	Ref. No.	N20785
description	reduction ring ED ø 54mm int. ø 1 42mm int. ø 2 34mm H 30mm		

spray systems


N.T.F.

spray arms

			
1			
Part No.	695486	Ref. No.	C20029 NC20029
description	spray arm L 440mm nozzles 9 for ice-cube type A		
spare parts for	695486		
	Part No.	695069	Ref. No.
			D20002 ND20002
	spray nozzle for ice maker		

			
1			
Part No.	695489	Ref. No.	C20058 NC20058
description	spray arm L 670mm nozzles 15 for ice-cube type A		

accessories

			
1			
Part No.	695069	Ref. No.	D20002 ND20002
description	spray nozzle for ice maker		



doors

doors



1

Part No.	695514	Ref. No.	NC10297
description	door for ice-cube maker W 447mm H 217mm thickness 22mm		

curtains

with holder



1

Part No.	695506	Ref. No.	NC22034
description	curtain for ice maker W 328mm H 150mm with holder shaft length 325mm shaft ø 7.5mm		



1

Part No.	695507	Ref. No.	NC22035
description	curtain for ice maker W 433mm H 165mm with holder shaft length 438mm shaft ø 7.5mm		



1

Part No.	695508	Ref. No.	NC22059
description	curtain for ice maker W 660mm H 165mm with holder shaft length 665mm shaft ø 7.5mm		



1

Part No.	696594	Ref. No.	NC22106
description	curtain for ice-cube maker W 273mm H 160mm shaft length 280mm shaft ø 7.6mm holder length 316mm		

without holder



1

Part No.	695619	Ref. No.	NC10532
description	curtain for ice maker W 275mm H 80mm shaft length 280mm shaft ø 7.5mm		



1

Part No.	695117	Ref. No.	NC10534
description	curtain for ice-cube maker W 430mm H 80mm shaft length 440mm shaft ø 7.5mm complete with rod		

accessories

lamellas



1

Part No.	695082	Ref. No.	10005 N10005
description	lamella for curtain L 69mm W 23mm ID ø 8mm		

pan mechanics

sumps



1

Part No.	696739	Ref. No.	NC10491 NRC10491
description	sump for ice maker L 310mm W 205mm H 85mm		

spare parts and accessories



1

Part No.	695013	Ref. No.	20389 N20389
description	paddle with spindle		



1



Part No.	695012	Ref. No.	20221 N20221
description	paddle with spindle \varnothing 95mm shaft \varnothing 6mm shaft length 350mm		

suction system

intake filters



1

Part No.	695532	Ref. No.	20005 N20005
description	round filters \varnothing 28mm H 60mm		

gaskets

miscellaneous



1

Part No.	695537	Ref. No.	N13006
description	gasket silicone ED \varnothing 40mm ID \varnothing 30mm thickness 2mm Qty 1 pcs		
accessories for	695537		



Part No.	695059	Ref. No.	10007 N10007 N10007/A
description	hose connector for ice-cube maker		

flaps



1

Part No.	696350	Ref. No.	NC26544
description	flap W 79mm H 86mm thickness 26mm		

mechanics for evaporators

miscellaneous



1

Part No.	696550	Ref. No.	NC20633
description	mechanical shaft seal for evaporator ID \varnothing 26mm		

hoses

formed hoses

form L



1

Part No.	695107	Ref. No.	13005 N13005
description	formed hose L-shape for ice-cube maker ID \varnothing 17mm ED \varnothing 23.5mm L 70mm W 50mm		

hose connectors

with thread



1

Part No.	695059	Ref. No.	10007 N10007 N10007/A
description	hose connector for ice-cube maker		
accessories for	695059		



Part No.	695537	Ref. No.	N13006
description	gasket silicone ED \varnothing 40mm ID \varnothing 30mm thickness 2mm Qty 1 pcs		

without thread



1

Part No.	695058	Ref. No.	10006 C10006 NC10006
description	hose connector 2-way for ice-cube maker		



1

Part No.	695527	Ref. No.	NC26452
description	hose connector 3-way for hose for ice-cube maker		


floats

float containers





1

Part No.	695072	Ref. No.	C10201 NC10201
description	float container for ice maker with microswitch plastic		





1


Part No.	696755	Ref. No.	C10164 NC10164 NC10164GB
description	float container for ice maker with microswitch plastic suitable for GB902		
spare parts for	696755		
	Part No.	Ref. No.	—
	microswitch with plunger 250V 16A 1CO connection male faston 6.3mm L 28mm ambient temperature max. 125°C mounting distance 22mm type SM-51 actuating force: 280g black		



1

Part No.	402163	Ref. No.	10145 N10145
description	float container L 150mm 250V cable lengthmm ømm mounting ømm 2CO 12A male faston 6.3mm		
spare parts for	402163		
	Part No.	Ref. No.	—
	microswitch with plunger 250V 16A 1CO connection male faston 4.8mm Lmm L1 27.8mm ambient temperature max. 125°C mounting distance 22mm with lever set type MS1-16 actuating force: 45g white		

miscellaneous




1

Part No.	695536	Ref. No.	N10096
description	nut for drain assembly		

valves

intake valves




1

Part No.	695539	Ref. No.	10188 N10188
description	intake valve with float		

equipment feet and end caps

equipment feet

with screw mounting




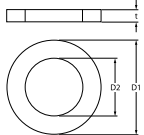
1

Part No.	700761	Ref. No.	N10406
description	equipment foot tube ø 50mm thread M10 thread L 12mm H 130-180mm SS size 2" Qty 1 pcs		

gaskets


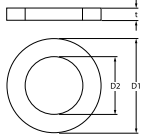
O-rings

EPDM

1


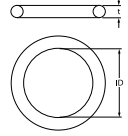
Part No.	517004	Ref. No.	20429 N20429
description	O-ring EPDM thickness 2.62mm ID ø 34.6mm Qty 1 pcs		

1


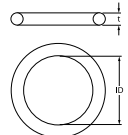
Part No.	528192	Ref. No.	20655 N20655
description	O-ring EPDM thickness 3mm ID ø 56mm Qty 1 pcs		

silicone

1

Part No.	532255	Ref. No.	20688 N20688
description	O-ring silicone thickness 2.62mm ID ø 21.89mm Qty 10 pcs		

1

Part No.	527123	Ref. No.	20689 N20689
description	O-ring silicone thickness 3.53mm ID ø 34.52mm Qty 1 pcs		



sealing washers

plastic gaskets



1

Part No.	695538	Ref. No.	N13007
description	gasket plastic ED ø 40mm ID ø 30mm thickness 2mm Qty 1 pcs		

silicone gaskets



1

Part No.	695537	Ref. No.	N13006
description	gasket silicone ED ø 40mm ID ø 30mm thickness 2mm Qty 1 pcs		

accessories for 695537



Part No.	695059	Ref. No.	10007 N10007 N10007/A
hose connector for ice-cube maker			

refrigeration cycle components

valves

Schrader valves

valve bodies



1

Part No.	750097	Ref. No.	N14007
description	valve body for Schrader valve thread 1/4" SAE connection 6mm soldering connection		

valve inserts



1

Part No.	750098	Ref. No.	14005 N14005
description	Schrader valve CASTEL 8394/B R22		

evaporators

for ice-cube maker

for ice cube maker



1

Part No.	750201	Ref. No.	ND10046
description	evaporator for ice-cube maker 36 cubes L 440mm W 190mm H 40mm		



1

Part No.	750202	Ref. No.	ND10047
description	evaporator for ice-cube maker 60 cubes L 665mm W 190mm H 40mm		

accessories

miscellaneous



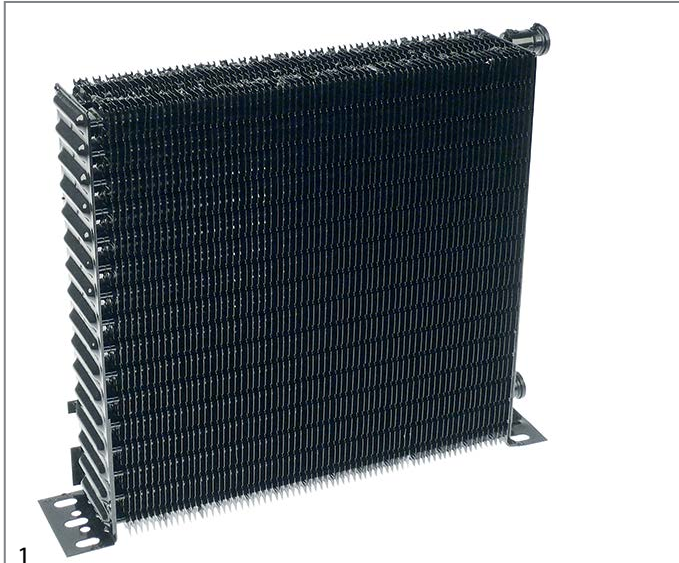
1

Part No.	696550	Ref. No.	NC20633
description	mechanical shaft seal for evaporator ID ø 26mm		



condensors

condensors



1

Part No.	750409	Ref. No.	N20175
description	condenser W 260mm D 60mm H 250mm mounting distance 275mm connection ø 8mm		

condensors water-cooled



1

Part No.	750392	Ref. No.	N14034
description	condenser tube ø 15mm water-cooled ø 255mm mounting distance 128mm		

evaporation and condensing trays

unheated condensing trays



1

Part No.	750316	Ref. No.	NC10314
description	condensing tray L 160mm W 80mm H 85mm		

transmission technology and ball bearings

ball bearings

deep-groove ball bearings 2RS



1

Part No.	523522	Ref. No.	20045 N20045
description	deep-groove ball bearing type 6004-2RS shaft ø 20mm ED ø 42mm W 12mm with sealing discs deep-groove ball bearing DIN 625-1		



1

Part No.	523511	Ref. No.	20433 N20433
description	deep-groove ball bearing type 6203-2RS shaft ø 17mm ED ø 40mm W 12mm with sealing discs deep-groove ball bearing DIN 625-1		



1

Part No.	523513	Ref. No.	N20112
description	deep-groove ball bearing type 6205-2RS shaft ø 25mm ED ø 52mm W 15mm with sealing discs deep-groove ball bearing DIN 625-1		

thrust ball bearings



1

Part No.	523052	Ref. No.	N20685
description	thrust ball bearing shaft \varnothing 30mm ED \varnothing 62mm W 42mm type 500-4251 DIN 711		



1

Part No.	695435	Ref. No.	20232 N20232
description	tension spring \varnothing 9.2mm total length 24mm wire gauge \varnothing 1.6mm		

springs

tension springs



1

Part No.	695544	Ref. No.	20282 N20282
description	tension spring \varnothing 10.5mm total length 42mm wire gauge \varnothing 1.5mm		



1

Part No.	695108	Ref. No.	20228 N20228
description	tension spring \varnothing 6.3mm total length 21mm wire gauge \varnothing 0.5mm		

water cycle components

supply filters



1

Part No.	695531	Ref. No.	10139 N10139
description	supply filter thread 1" total length 100mm plastic with metal filter \varnothing 18mm		

GASTROPARTS.COM

