



GASTROPARTS

MCC-Trading-International

- [EN]** Equipment
- [DE]** Geräte
- [ES]** Aparatos
- [FR]** Équipement
- [IT]** Attrezzature
- [PL]** Urządzenia
- [RU]** Оборудование

✉ gastroparts@gastroparts.com

☎ tel. +48 56 657 00 66

📘 fb.com/gastroparts.global


GASTROPARTS.COM





induction

induction coils



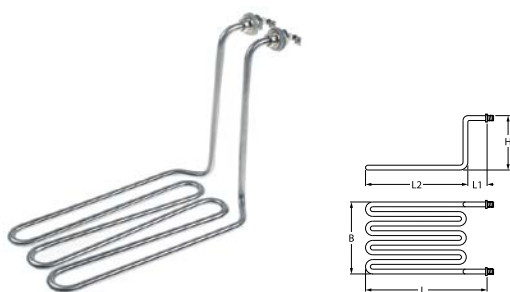
1

Part No.	404010	Ref. No.	AD100087
description	induction coils ø 220mm H 10mm		
For models:	HIC3500		

heating elements

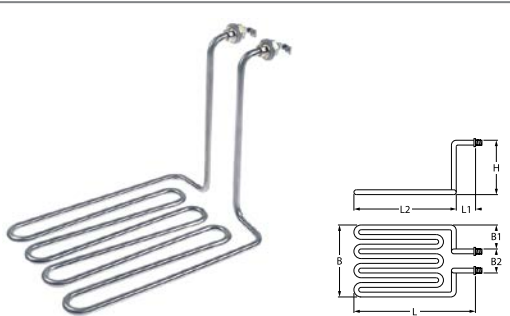
heating elements for fryers

2 hole fixing



1

Part No.	417598	Ref. No.	1.07.HDF4140403 GDF1104-013
description	heating element 2500W 230V heating circuits 1 L 290mm W 130mm H 200mm L1 40mm L2 230mm tube ø 8mm		
For models:	HDF1104		



1

Part No.	417599	Ref. No.	1.07.HDF8141903 HDF1108-013 HDF2128-013
description	heating element 3250W 230V heating circuits 1 thread M12x1.25 L 280mm W 190mm H 210mm L1 35mm L2 245mm W1 120mm W2 70mm tube ø 8mm connection M4		
For models:	HDF1108, HDF2128		

heating elements for refrigeration


heating elements for defrosting



1

Part No.	420518	Ref. No.	C01AA46A0007
description	heating element 500W 220V L 290mm W 96mm H 88mm cable length 400mm tube ø 8.5mm		
For models:	RN700		

miscellaneous



1

Part No.	420491	Ref. No.	E24075121000
description	heating element 20W 230V L 225mm W 195mm H 2.5mm connection plug cable length 1000mm		
For models:	RN700		

heating cables

connection on both sides


with male fastons




1

Part No.	420492	Ref. No.	E24075104400
description	heating cable 10W 230V L 4400mm L1 (unheated) 500mm L2 (heated) 3900mm		
For models:	RC700, RN700		

heating elements for convection



1

Part No.	419243	Ref. No.	RES30033
description	heating element 2700W 230V heating circuits 1 ID ø 180mm ED ø 193mm L 208mm H 30mm L1 8mm W1 30mm H1 7mm H2 23mm flange length 70 no to be sold in Francemm flange width 22mm hole distance 56mm connection male faston 6.3mm tube ø 6.3mm convection heating element hole ø 5mm rectangular flange 70 x 22mm with screws		
For models:	HCO500		
spare parts for	419243		
	Part No.	560102	Ref. No. —
	sheet metal screws ø 3.9mm L 9.5mm SS Qty 20 pcs DIN 7981/ISO 7049 head ø 7.5mm oval head		



thermostats

bi-metal thermostats

bi-metal thermostats



Part No.	390634	Ref. No.	TER30002
description	bi-metal thermostat hole distance 23.5mm switch-off temp. 145°C 1NC 1-pole 16A 250V connection F6.3 2 hole fixing		
For models:	HCO500		



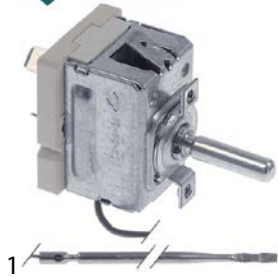
Part No.	391010	Ref. No.	E31A25001000
description	bi-metal thermostat hole distance 23mm switch-off temp. 25°C NC 1-pole 16A 230V connection coded plug		
For models:	RN700		

control and safety thermostats

EGO

control thermostats

55.17_series



Part No.	391048	Ref. No.	TER30016
description	thermostat t.max. 292°C 1-pole 1NO probe ø 3mm probe L 182mm shaft ø 6x4.6mm shaft L 23mm shaft position upper° rotation 270° probe material SS with mounting accessories		
For models:	HCO500		

various

control thermostats



Part No.	390968	Ref. No.	1.06.1851713 GDF1104-018 HDF1108-018 HDF2128-018
description	thermostatcontroller t.max. 185°C temperature range°C 2-pole 1NO 16A probe ø 6mm probe L 77mm capillary pipe 1500mm capillary pipe isolatedmm gland nut shaft ø 6x4.6mm shaft L 25mm shaft position upper rotation 270° probe material SS		
For models:	HDF1104, HDF1108, HDF2128		

safety thermostats



Part No.	390970	Ref. No.	1.06.230171301 GDF1104-005 HDF1108-005 HDF2128-005
description	safety thermostat switch-off temp. 230°C 2-pole 1NC 16A probe ø 5mm probe L 48mm capillary pipe 440mm capillary pipe isolated 150mm gland nut probe 250V model WQS-230		
For models:	HDF1104, HDF1108, HDF2128		

refrigeration thermostats

RANCO

K50 series



Part No.	376068	Ref. No.	A0804000066
description	thermostat RANCO type K50-L3459 probe ø 2mm probe L 110mm capillary pipe 1500mm		
For models:	HSC300N, HSC300N-Silver		



miscellaneous producers



Part No.	390997	Ref. No.	DQWA0002 HSC350-18
description	thermostat probe ø 3.4mm probe Lmm capillary pipe 770mm type WPF11-L for fridge 1NO 230V 50/60Hz		
For models:	HSC350, HSC350B, HSC350DD, HSC350G, HSC350GB		



Part No.	390972	Ref. No.	DQWA0010 HSC360-37
description	thermostat temperature range°C probe ø 10mm probe L 24mm capillary pipe 660mm type WPF-45270 hole distance 55mm		
For models:	HSC360, HSC360B, HSC360G, HSC360GB		

accessories

miscellaneous



Part No.	698980	Ref. No.	B1301080407
description	button for thermostat hole ø 6x4.6mm thickness 6.25mm ø 23.5mm		
For models:	HSC300N, HSC300N-Silver		

switches and momentary switches

rocker/momentary rocker switches

28x10mm



Part No.	347804	Ref. No.	DQKC0000 HBC1002-22 HBC2003-22
description	rocker switch mounting measurements 28x10mm red 1NO 250V 15A 0-I connection male faston 6.3mm ambient temperature max. 85°C protection IP40		

30x11mm



Part No.	347350	Ref. No.	A0910000001
description	rocker switch mounting measurements 30x11mm black 1CO 250V 16A I O connection male faston 6.3mm ambient temperature max. 90°C protection IP40		
For models:	HSC300N, HSC300N-Silver		

30x22mm



Part No.	347791	Ref. No.	1.1.A.A07.10 E2301GR00001
description	rocker switch mounting measurements 30x22mm green 2NO 230V 20A illuminated 0-I connection male faston 6.3mm ambient temperature max. 125/55°C protection IP65 with rubber collar		
For models:	HCV1100, HSA2600, RC700, RN700		

ø20mm



Part No.	347803	Ref. No.	DQKA0000 HSC800-37
description	rocker switch mounting measurements 20mm red 1NO 250V 15A 0-I connection male faston 4.8mm ambient temperature max. 85°C protection IP40		
For models:	GSC1100G, HSC350, HSC350B, HSC350DD, HSC350G, HSC350GB, HSC360, HSC360B, HSC360G, HSC360GB, HSC800, HSC800G		



Part No.	347802	Ref. No.	HSC350-37
description	rocker switch mounting ø 20mm red 1NO 250V 15A illuminated 0-I connection male faston 4.8mm ambient temperature max. 85°C protection IP40		

push/momentary push switches

19x13mm




Part No.	348188	Ref. No.	E2307BK00001
description	push switch mounting measurements 19x13mm black 1NO 250V 10A connection F4.8		
For models:	RC700, RN700		



ø22mm



1			
Part No.	347819	Ref. No.	1.05.053512HY57
description	momentary push switch mounting ø 22mm red/green 1NO/1NC/indicator light 240V 10A ON-OFF connection screw ambient temperature max. 85°C protection IP65		
For models:	HVC1001		
accessories for	347819		
	Part No.	358007	Ref. No. —
	protective cover external size 33x53mm internal size 30x50mm H 23mm		

microswitches

pin-plunger actuated

miscellaneous



1			
Part No.	348187	Ref. No.	HVS1000-47 YJS820-47
description	microswitch 230V 1NO connection cable 400mm L 58mm L1 38mm		

with push button

switches with snap-fit



1			
Part No.	348173	Ref. No.	A0910000006
description	microswitch 230V 2.5A 1NO connection F4.8 L 24x27mm mounting distancemm type actuating force: 580g		
For models:	HSC300N, HSC300N-Silver		



1			
Part No.	346772	Ref. No.	E2306WH00001
description	microswitch with push button 250V 5A 1CO connection male faston 4.8mm L 24x27mm ambient temperature max. 85°C actuating force: 160g		
For models:	RC700, RN700		

position switches

METRO



1			
Part No.	348088	Ref. No.	1.05.035011HDFMS116 GDF1104-006 HDF1108-006 HDF2128-006
description	microswitch 1NO 250V 16A L 41mm W 12mm H 44mm actuating force: 250g		
For models:	HDF1104, HDF1108, HDF2128		

magnetic switches

M12x1



1			
Part No.	348243	Ref. No.	1.03.00010073
description	magnetic switch thread M12x1 1NO 36V voltage AC/DC 0.5A connection cable cable length 950mm L 35mm model M12-2SPST-01		
For models:	HVC1001		



1			
Part No.	348244	Ref. No.	1.03.00010078
description	magnetic switch thread M12x1 1NO 36V voltage AC/DC 0.5A connection cable cable length 950mm L 50mm model M12-2SPST-02		

accessories


magnets



1			
Part No.	348242	Ref. No.	1.03.00010018
description	magnet ø 19.5mm H 2.8mm		

magnetic holders



1			
Part No.	348241	Ref. No.	1.03.00010057
description	magnet holder with magnet internal size 19.5mm H 14mm thread M12 ø 24mm		
For models:	HVC1001		
spare parts for	348241		
	Part No.	348242	Ref. No. 1.03.00010018
	magnet ø 19.5mm H 2.8mm		






lamps

indicator lights

indicator lights 2-piece (lens and indicator lamp)

indicator lamps for socket type RL



Part No.	359818	Ref. No.	IND30009
description	indicator light 230V clear connection male faston 6.3mm		
For models:	HCO500		
accessories for	359818		
	Part No.	359820	Ref. No. —
	indicator light lens yellow Qty 1 pcs ø 8mm		
	Part No.	359833	Ref. No. —
	indicator light lens red Qty 1 pcs ø 8mm		
	Part No.	359948	Ref. No. —
	indicator light lens clear Qty 1 pcs ø 8mm		

indicator lights (complete)

ø14mm

with screw socket



Part No.	360622	Ref. No.	1.03.00020013 GDF1104-009 HDF1108-009 HDF2128-009
description	indicator light ø 14mm green 220V connection male faston 4.8mm plastic		
For models:	HDF1104, HDF1108, HDF2128		



Part No.	360621	Ref. No.	1.03.00020017 GDF1104-008 HDF1108-008 HDF2128-008
description	indicator light ø 14mm yellow 220V connection male faston 4.8mm plastic		
For models:	HDF1104, HDF1108, HDF2128		

30x11mm



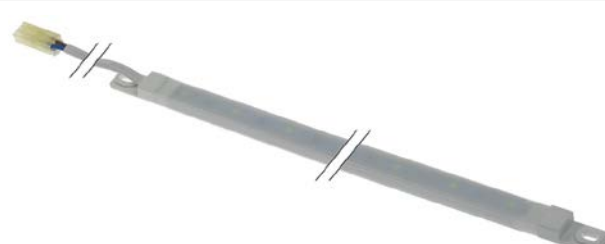
Part No.	359160	Ref. No.	A0914000016
description	indicator light mounting measurements 30x11mm 230V green connection male faston 6.3mm rectangular temp.-resist. 125°C		
For models:	HSC300N, HSC300N-Silver		

LED

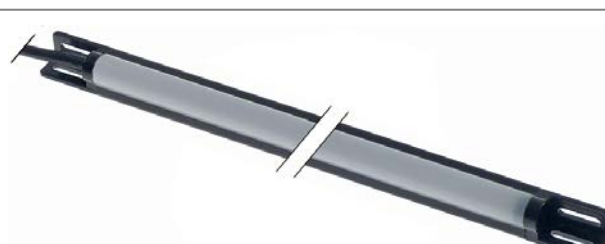
LED bars



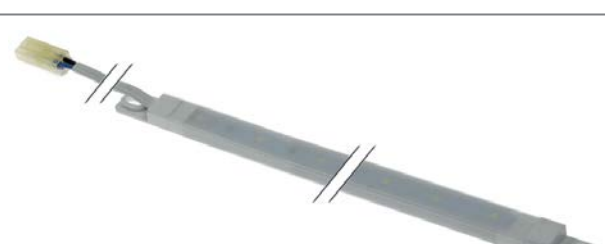
Part No.	357257	Ref. No.	DQLED007
description	LED bar L 1100mm W 14.4mm H 7.5mm 24VDC white number of lamps 36 cable length 120mm		
For models:	HSC350DD, HSC350G, HSC350GB		



Part No.	357256	Ref. No.	DQLED008
description	LED bar L 1200mm W 14.4mm H 7.5mm 24VDC white number of lamps 42 cable length 120mm		
For models:	GSC1100G, HSC360G, HSC360GB, HSC800G		





Part No.	357245	Ref. No.	1.1.A.A01.09.65
description	LED bar L 344mm W 13mm H 13mmV white number of lamps 16 cable length 1030mm		
For models:	HCV1100		




Part No.	357255	Ref. No.	DQLED011
description	LED bar L 370mm W 14.4mm H 7.5mm 24VDC white number of lamps 18 cable length 380mm		
For models:	HSC350DD, HSC350G, HSC350GB		



			
1			
Part No.	357251	Ref. No.	DQLED066 HBC1002-29
description	LED bar L 400mm W 12mm H 12mm 24V blue number of lamps 30 cable length 280mm		
For models:	HBC1002		

			
1			
Part No.	357241	Ref. No.	DQLED067 HBC2003-29
description	LED bar L 600mm W 11.5mm H 12.5mm 24V number of lamps 42 cable length 285mm voltage DC		
For models:	HBC2003, HBC2003G		


accessories


			
1			
Part No.	357246	Ref. No.	1.1.A.A01.10.04
description	power supply primary 85-265V secondary 0.2A Qty 1 pcs		
For models:	HCV1100		

fluorescent lamps

fluorescent lamps


G5


			
1			
Part No.	357156	Ref. No.	DQDA0009
description	fluorescent lamp socket G5 L 285mm 8W ø 16mm 230V T5/865 Qty 1 pcs		

			
1			
Part No.	357148	Ref. No.	DQDA0010
description	fluorescent lamp socket G5 L 547mm 14W ø 16mm 230V T5/865 Qty 1 pcs		

G13

			
1			
Part No.	357254	Ref. No.	A0902000002
description	fluorescent lamp socket G13 L 436mm 15W ø 25mm 230V Qty 1 pcs light colour 865		
For models:	HSC300N, HSC300N-Silver		

			
1			
Part No.	357145	Ref. No.	DQDA0012 HSC350-31
description	fluorescent lamp socket G13 L 438mm 15W ø 27mm 230V Qty 1 pcs light colour 865		
For models:	HSC350, HSC350B		

			
1			
Part No.	357146	Ref. No.	DQDA0007 HSC350-24 HSC800-26
description	fluorescent lamp socket G13 L 895mm 30W ø 26mm 230V T8/765 Qty 1 pcs		
For models:	HSC350, HSC350B, HSC800		


accessories

sockets

			
1			
Part No.	381169	Ref. No.	HSC800-30 SLJY2010
description	lamp holder socket G13 L 26.5mm W 24.5mm Qty 1 pcs for fluorescent lamps		
For models:	HSC800		

			
1			
Part No.	381412	Ref. No.	A0905000002
description	lamp holder socket G13 L 26.5mm W 24.5mm Qty 1 pcs for fluorescent lamps		
For models:	HSC300N, HSC300N-Silver		




 <p>1</p>			
Part No.	381413	Ref. No.	HSC350-28 HSC360-28 SLZA2000
description	lamp socket socket G13 L 37.5mm W 28.5mm Qty 1 pcs for fluorescent lamps		
For models:	HSC350, HSC350B, HSC360, HSC360B, HSC800		


starter holders


 <p>1</p>			
Part No.	381170	Ref. No.	HSC350-34 HSC360-08 HSC800-35 SLZA1000
description	starter holder L 32mm W 24mm housing ø 23mm Qty 1 pcs		
For models:	HSC350, HSC350B, HSC360, HSC360B, HSC800		


starter


 <p>1</p>			
Part No.	380464	Ref. No.	A0909000002 DQDF0000 HSC350-33 HSC360-09
description	starter 4-65W		
For models:	HSC300N, HSC300N-Silver, HSC350, HSC350B, HSC360, HSC360B, HSC800		


ballasts

 <p>1</p>			
Part No.	403690	Ref. No.	A0908000001
description	electrical ballast 15W 220-240V connection screw clamp for fluorescent lamps type 9.26.53.315 Qty 1 pcs		
For models:	HSC300N, HSC300N-Silver		


 <p>1</p>			
Part No.	403192	Ref. No.	DQZB0005
description	electrical ballast 15W 220-240V connection screw clamp for fluorescent lamps type JF-1595M Qty 1 pcs		


 <p>1</p>			
Part No.	403190	Ref. No.	DQZA0027 HSC800-31
description	electrical ballast 30W 220-240V connection screw clamp for fluorescent lamps type JF-3095W Qty 1 pcs		

 <p>1</p>			
Part No.	358134	Ref. No.	DQZA0024 HSC360-06
description	electrical ballast 76W 230V connection screw clamp for fluorescent lamps type JF-1595W Qty 1 pcs		
For models:	HSC360, HSC360B, HSC800		


 <p>1</p>			
Part No.	403191	Ref. No.	DQZB0029
description	electrical ballast 9W 220V connection screw clamp for fluorescent lamps type JF-995M Qty 1 pcs		


covers


 <p>1</p>			
Part No.	551330	Ref. No.	B1301010379
description	cover L 43mm W 30mm H 38mm cover		
For models:	HSC300N, HSC300N-Silver		




 <p>1</p>			
Part No.	698982	Ref. No.	B1301000176
description	cover L 457mm W 45mm H 38mm transparent		
For models:	HSC300N, HSC300N-Silver		





1			
Part No.	699314	Ref. No.	SLZV0017
description	cover L 510mm W 30mm H 30mm		


1			
Part No.	694873	Ref. No.	HSC350-40 SLSE2008
description	cover L 590mm W 280mm H 1mm		
For models:	HSC350, HSC350DD, HSC350G		


1			
Part No.	699312	Ref. No.	SLZV0018
description	cover L 810mm W 30mm H 30mm transparent		
For models:	HBC1002		

1				
Part No.	694874	Ref. No.	HSC350-38 SLZQ0037	
description	cover set mounting pos. right and left W 82mm H 280mm D 34			
For models:	GSC1100G, HSC350, HSC350DD, HSC350G, HSC800, HSC800G			
spare parts for	694874			
	Part No.	692393	Ref. No.	—
bezel for cover mounting pos. right W 82mm H 280mm D 34mm plastic Qty 1 pcs				
	Part No.	692394	Ref. No.	—
bezel for cover mounting pos. left W 82mm H 280mm D 34mm plastic Qty 1 pcs				

1			
Part No.	694872	Ref. No.	HSC350-36 SLJV2040
description	cover support L 610mm W 20mm H 55mm mounting pos. lower		
For models:	HSC350, HSC350DD, HSC350G		

1			
Part No.	694871	Ref. No.	HSC350-41 SLJV2041
description	cover support L 610mm W 20mm H 55mm mounting pos. upper		
For models:	HSC350, HSC350DD, HSC350G		


1			
Part No.	699307	Ref. No.	HSC360-24 SLZE0061
description	end cap L 60mm W 40mm H 10mm for lamp		
For models:	HSC360, HSC360B		

1			
Part No.	694870	Ref. No.	HSC350-23 SLJY2016
description	housing L 131.5mm W 45mm H 40mm		
For models:	HSC350, HSC350B		

fridge lamps

producer-specific fridge lamps


RWA

1			
Part No.	698879	Ref. No.	E22AC0080015
description	LED lamp 1.5W 12V L 75mm W 32mm H 28mm cable length 100mm Qty 1 pcs		
For models:	RC700, RN700		

oven lamps

universal oven lamps


mounting diameter 35.5mm

1			
Part No.	357176	Ref. No.	LAM30006
description	oven lamp mounting ø 35.5mm 230V 40W socket G9 temp.-resist. 300°C connection cable 100mm hard glas		
For models:	HCO500		



timers


mechanical timers


			
1			
Part No.	350130	Ref. No.	PRG30001
description	timer M11 with bell 1-pole operation time 120min impulse mechanical 1NO at 250V 16A permanent position yes shaft ø 6x4.6mm shaft L 23mm mounting distance 28mm mounting thread M4 connection male faston 6.3mm 4 hole fixing shaft flat upper		
For models:	HCO500		

relays

power relays

with bracket mounting


			
1			
Part No.	381252	Ref. No.	1.03.00010026 HDF1108-021 HDF2128-021
description	relay OMRON 230VAC 25A 2NO connection male faston 6.3mm bracket mounting at 250V 25A manuf. no. G7L-2A-TUB 230VAC		
For models:	HDF1108, HDF2128		

			
1			
Part No.	380867	Ref. No.	DQWBZJ02 HSC800-22
description	relay SHANGFANG 12VDC 30A 1NO connection male faston 6.3mm screw mounting at 250V 30A manuf. no. 855AW-1A-C1		
For models:	GSC1100G, HSC800, HSC800G		

transformers


open transformers

with clamp terminal


			
1			
Part No.	403691	Ref. No.	A0904000014
description	transformer primary 230VAC secondary 54VAC secondary 1.6A connection screw		
For models:	HSC300N, HSC300N-Silver		

encapsulated transformers


PMA

			
1			
Part No.	379054	Ref. No.	HSC800-23
description	transformer primary 230VAC secondary 12VAC 3VA secondary 0.25A H 40mm L 45mm W 50mm connection screw 50/60Hz type 153/M		


power supplies

			
1			
Part No.	530625	Ref. No.	E26A10120050
description	power supply primary 100-240VAC secondary 12VDC 5VA secondary 0.42A H 20mm L 55mm W 40mm 50/60Hz		
For models:	RC700, RN700		



miscellaneous

			
1			
Part No.	403660	Ref. No.	DQLED069 HBC1002-18 HBC2003-18
description	transformer primary 100-240V secondary 24VDC 20VA secondary 0.84A		
For models:	HBC1002, HBC2003, HBC2003G		



			
1			
Part No.	403867	Ref. No.	DQLED042 DQLED055
description	transformer primary 100-240V secondary 24VDC secondary 0.42A H 25mm L 95mm W 40mm		
For models:	GSC1100G, HSC350DD, HSC350G, HSC350GB, HSC360G, HSC360GB, HSC800G		

			
71 x 29mm			
1			

Part No.	378267	Ref. No.	E20A111C0D00 E20A111C4D00
description	electronic controller DIXELL XR02CX-5N0C1 mounting measurements 71x29mm built-in depth 56mm 230V voltage AC NTC relay outputs 1 NO-20A(8) NTC DI protection IP54 defrosting function/time control -40 up to +110°C display 2½ digit		
For models:	HFR2600G, HSA2600, RC700		
accessories for	378267		
	Part No.	379161	Ref. No. —
	temperature probe NTC 10kOhm cable thermoplastic probe -40 up to +110°C cable -40 up to +110°C probe ø6x14mm cable length 3m without screw connection 2-wire		
	Part No.	381249	Ref. No. —
	temperature probe NTC 10kOhm cable PVC probe -40 up to +110°C cable -10 up to 100°C connection 2-wire thread probe ø6x14mm cable length 3m		




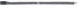



electronic controllers

DIXELL

refrigeration controllers

built-in version



1			
Part No.	378256	Ref. No.	RC600.34 RN600.27
description	electronic controller DIXELL XR02CX-5N0C0 mounting measurements 71x29mm built-in depth 56mm 230V voltage AC NTC relay outputs 1 CO-8A(4) NTC protection IP54 defrosting function/time control -40 up to +110°C display 2½ digit		
For models:	HFR2600, HRE2600		
spare parts for	378256		
	Part No.	379161	Ref. No. —
	temperature probe NTC 10kOhm cable thermoplastic probe -40 up to +110°C cable -40 up to +110°C probe ø6x14mm cable length 3m without screw connection 2-wire		
accessories for	378256		
	Part No.	378194	Ref. No. —
	temperature probe NTC 10kOhm cable PVC probe -20 up to +80°C cable -10 up to 100°C probe ø7x24.5mm cable length 1.5m without screw connection 2-wire		
	Part No.	379057	Ref. No. —
	temperature probe NTC 10kOhm cable PVC probe -20 up to +80°C cable -10 up to 100°C probe ø6x25mm cable length 3m 2-wire		
	Part No.	379160	Ref. No. E21010150001
	temperature probe NTC 10kOhm cable thermoplastic probe -40 up to +110°C cable -40 up to +110°C probe ø6x14mm cable length 1.5m without screw connection 2-wire		
	Part No.	379161	Ref. No. —
	temperature probe NTC 10kOhm cable thermoplastic probe -40 up to +110°C cable -40 up to +110°C probe ø6x14mm cable length 3m without screw connection 2-wire		
	Part No.	379343	Ref. No. —
	temperature probe NTC 10kOhm cable silicone probe -40 up to +110°C cable -50 up to +180°C probe ø6x40mm cable length 3m 2-wire		
	Part No.	379458	Ref. No. —
	temperature probe NTC 10kOhm cable silicone probe -40 up to +110°C cable -50 up to +180°C probe ø6x40mm cable length 1.5m without screw connection 2-wire		

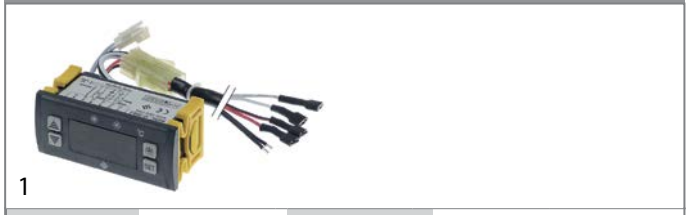




1			
Part No.	378535	Ref. No.	E20A113F0D00
description	electronic controller DIXELL XR06CX-5R0C1 mounting measurements 71x29mm 230V voltage AC NTC relay outputs 3 NO-20A(8) CO-8A(3) NO-5A(2) NTC NTC DI protection IP54 0 up to +60°C display 2½ digit		
For models:	RN700		

SHANGFANG

refrigeration controllers







built-in version




1			
Part No.	379799 ¹	Ref. No.	DQWBZX02 HSC800-52
description	electronic controller SHANGFANG type SF-104S-2 mounting measurements 71x29mm 12V voltage AC NTC relay outputs 2 12VDC 12VDC NTC front measurements 77x35mm built-in depth 40mm protection IP54 accuracy 1% built-in version alarm without accessories defr. funct. yes -45 up to +45°C display 3 digits		
For models:	GSC1100G, HSC800, HSC800G		
spare parts for	379799		
	Part No.	379054	Ref. No. HSC800-23
	transformer primary 230VAC secondary 12VAC 3VA secondary 0.25A H 40mm L 45mm W 50mm connection screw 50/60Hz type 153/M		
	Part No.	380867	Ref. No. DQWBZJ02 HSC800-22
	relay SHANGFANG 12VDC 30A 1NO connection male faston 6.3mm screw mounting at 250V 30A manuf. no. 855AW-1A-C1		

¹without relay, cable harness, probe and transformer
Table continues overleaf





spare parts for 379799				
	Part No.	381318	Ref. No.	—
	temperature probe NTC cable silicone cable colours white cable length 3m probe -40 up to +110°C cable -50 up to +180°C probe ø7x25mm coded plug			
	Part No.	381319	Ref. No.	—
	temperature probe NTC cable silicone cable colours black cable length 3m evaporator probe -40 up to +110°C cable -50 up to +180°C probe ø7x25mm coded plug			
accessories for 379799				
	Part No.	379054	Ref. No.	HSC800-23
	transformer primary 230VAC secondary 12VAC 3VA secondary 0.25A H 40mm L 45mm W 50mm connection screw 50/60Hz type 153/M			
	Part No.	380867	Ref. No.	DQWBZJ02 HSC800-22
	relay SHANGFANG 12VDC 30A 1NO connection male faston 6.3mm screw mounting at 250V 30A manuf. no. 855AW-1A-C1			
	Part No.	381318	Ref. No.	—
	temperature probe NTC cable silicone cable colours white cable length 3m probe -40 up to +110°C cable -50 up to +180°C probe ø7x25mm coded plug			
	Part No.	381319	Ref. No.	—
	temperature probe NTC cable silicone cable colours black cable length 3m evaporator probe -40 up to +110°C cable -50 up to +180°C probe ø7x25mm coded plug			

spare parts for 379849				
	Part No.	380867	Ref. No.	DQWBZJ02 HSC800-22
	relay SHANGFANG 12VDC 30A 1NO connection male faston 6.3mm screw mounting at 250V 30A manuf. no. 855AW-1A-C1			
	Part No.	381318	Ref. No.	—
	temperature probe NTC cable silicone cable colours white cable length 3m probe -40 up to +110°C cable -50 up to +180°C probe ø7x25mm coded plug			
	Part No.	381319	Ref. No.	—
	temperature probe NTC cable silicone cable colours black cable length 3m evaporator probe -40 up to +110°C cable -50 up to +180°C probe ø7x25mm coded plug			
accessories for 379849				
	Part No.	379054	Ref. No.	HSC800-23
	transformer primary 230VAC secondary 12VAC 3VA secondary 0.25A H 40mm L 45mm W 50mm connection screw 50/60Hz type 153/M			
	Part No.	380867	Ref. No.	DQWBZJ02 HSC800-22
	relay SHANGFANG 12VDC 30A 1NO connection male faston 6.3mm screw mounting at 250V 30A manuf. no. 855AW-1A-C1			
	Part No.	381318	Ref. No.	—
	temperature probe NTC cable silicone cable colours white cable length 3m probe -40 up to +110°C cable -50 up to +180°C probe ø7x25mm coded plug			
	Part No.	381319	Ref. No.	—
	temperature probe NTC cable silicone cable colours black cable length 3m evaporator probe -40 up to +110°C cable -50 up to +180°C probe ø7x25mm coded plug			

built-in version 2-piece

 <p>1</p>				
Part No.	378531	Ref. No.	HBC1002-19 HBC2003-19	
description	electronic controller SHANGFANG type SF-101S mounting measurements 71x29mm 230V voltage AC NTC relay outputs 1 NO-30A NTC Comp front measurements 77x35mm built-in depth 40mm protection IP54 accuracy 1% built-in version alarm incl. relay, cable harness, probe and transformer defr. funct. yes -45 up to +45°C display 3 digits			





 <p>1</p>				
Part No.	379849 ¹	Ref. No.	DQWB0005	
description	electronic controller SHANGFANG type SF-101S mounting measurements 71x29mm 230V voltage AC NTC relay outputs 1 NO-30A NTC Comp front measurements 77x35mm built-in depth 40mm protection IP54 accuracy 1% built-in version alarm incl. relay, cable harness, probe and transformer defr. funct. yes -45 up to +45°C display 3 digits			
For models:	HBC1002, HBC2003			
spare parts for	379849			
	Part No.	379054	Ref. No.	HSC800-23
	transformer primary 230VAC secondary 12VAC 3VA secondary 0.25A H 40mm L 45mm W 50mm connection screw 50/60Hz type 153/M			

¹incl. relay, cable harness, probe and transformer


 <p>1</p>				
Part No.	403074 ¹	Ref. No.	DQWB0002	
description	electronic controller SHANGFANG type SF-104S-2 mounting measurements 71x29mm 230V voltage AC NTC relay outputs 2 NO-30A NO-30A NTC NTC front measurements 77x35mm built-in depth 38mm protection IP54 accuracy 1% built-in version alarm incl. relay, cable harness, probe and transformer defr. funct. yes -45 up to +45°C display 2½ digit			
For models:	GSC1100G, HBC1002, HBC2003, HBC2003G, HSC800			
spare parts for	403074			
	Part No.	379054	Ref. No.	HSC800-23
	transformer primary 230VAC secondary 12VAC 3VA secondary 0.25A H 40mm L 45mm W 50mm connection screw 50/60Hz type 153/M			
	Part No.	380867	Ref. No.	DQWBZJ02 HSC800-22
	relay SHANGFANG 12VDC 30A 1NO connection male faston 6.3mm screw mounting at 250V 30A manuf. no. 855AW-1A-C1			
	Part No.	381318	Ref. No.	—
	temperature probe NTC cable silicone cable colours white cable length 3m probe -40 up to +110°C cable -50 up to +180°C probe ø7x25mm coded plug			
	Part No.	381319	Ref. No.	—
	temperature probe NTC cable silicone cable colours black cable length 3m evaporator probe -40 up to +110°C cable -50 up to +180°C probe ø7x25mm coded plug			


¹incl. relay, cable harness, probe and transformer

Table continues overleaf


accessories for 403074			
	Part No.	379054	Ref. No. HSC800-23
	transformer primary 230VAC secondary 12VAC 3VA secondary 0.25A H 40mm L 45mm W 50mm connection screw 50/60Hz type 153/M		
	Part No.	380867	Ref. No. DQWBZJ02 HSC800-22
	relay SHANGFANG 12VDC 30A 1NO connection male faston 6.3mm screw mounting at 250V 30A manuf. no. 855AW-1A-C1		
	Part No.	381318	Ref. No. —
	temperature probe NTC cable silicone cable colours white cable length 3m probe -40 up to +110°C cable -50 up to +180°C probe ø7x25mm coded plug		
	Part No.	381319	Ref. No. —
	temperature probe NTC cable silicone cable colours black cable length 3m evaporator probe -40 up to +110°C cable -50 up to +180°C probe ø7x25mm coded plug		

accessories

			
1			
Part No.	380867	Ref. No.	DQWBZJ02 HSC800-22
description	relay SHANGFANG 12VDC 30A 1NO connection male faston 6.3mm screw mounting at 250V 30A manuf. no. 855AW-1A-C1		
For models:	GSC1100G, HSC800, HSC800G		


			
1			
Part No.	379054	Ref. No.	HSC800-23
description	transformer primary 230VAC secondary 12VAC 3VA secondary 0.25A H 40mm L 45mm W 50mm connection screw 50/60Hz type 153/M		

accessories universal for electronic con-


			
1			
Part No.	698934	Ref. No.	1.1.C.C34.03
description	bracket L 77mm W 28mm H 37mm electronic controllers		
For models:	HCV1100		

probes

universal probes


temperature probes			
			
1			
Part No.	379160	Ref. No.	E21010150001
description	temperature probe NTC 10kOhm cable thermoplastic probe -40 up to +110°C cable -40 up to +110°C probe ø6x14mm cable length 1.5m without screw connection 2-wire		
For models:	HSA2600, RC700, RN700		

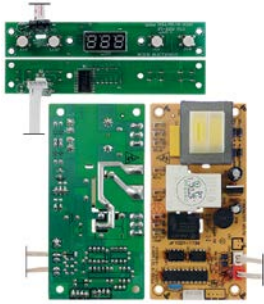
sensors


			
1			
Part No.	403155	Ref. No.	QDQ010010R
description	sensor for induction device ø 25mm H 17mm cable length 130mm		
For models:	HIC3500		

electronics

PCBs

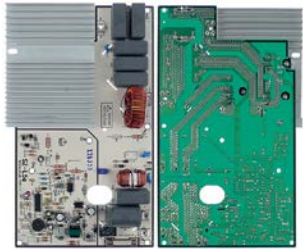
			
1			
Part No.	403665	Ref. No.	1.1.A.A13.01.51
description	control PCB for vitrine HCV1100 with display unit with probe		

			
1			
Part No.	361873	Ref. No.	1.1.A.A17.01.01
description	control PCB refrigerated show case GGC 1270/2270 cable length 225mm 2-piece type KB3150		
For models:	HCV1100		


1

Part No.	403798	Ref. No.	DQA020344R
description	display PCB induction device HIC3500 L 50mm W 48mm		
For models:	HIC3500		



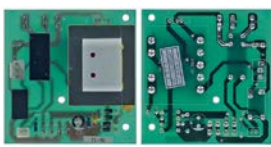
1

Part No.	403799	Ref. No.	DQA010204R
description	main PCB induction device HIC3500 L 265mm W 152mm		
For models:	HIC3500		




1

Part No.	403715	Ref. No.	HVS1000-42 YJS820-42
description	main PCB vacuum packing machine HVS1000 L 88mm W 75mm		
For models:	HVS1000		



1

Part No.	403947	Ref. No.	1.02.HLC300513000
description	PCB for vegetable slicer L 82mm W 82mm		




1

Part No.	403717	Ref. No.	HVS1000-25 YJS820-25
description	PCB vacuum packing machine HVS1000 L 125mm W 100mm		
For models:	HVS1000		

keypads

membrane keypads




1

Part No.	403718	Ref. No.	HVS1000-36 YJS820-36
description	membrane keypad vacuum packing machine HVS1000 L 190mm W 55mm		
For models:	HVS1000		

solenoid valves


solenoid valves (water)

various



1


Part No.	374094	Ref. No.	HVS1000-45 YJS820-45
description	solenoid valve angled 2-way inlet 4.5mm outlet 4.5mm cable length 300mm		
For models:	HVS1000		




1

Part No.	374093	Ref. No.	HVS1000-41 YJS820-41
description	solenoid valve single 2-way 12VDC inlet 11mm outlet 11mm suitable for exit		
For models:	HVS1000		



metal			
ASCO			
spare parts and accessories			
O-rings			
			
1			
Part No.	371100	Ref. No.	HVS1000-04 YJS820-4
description	O-ring silicone thickness 1.78mm ID ø 6.07mm Qty 1 pcs		
For models:	HVS1000		

Solenoid valve - accessories

			
1			
Part No.	371100	Ref. No.	HVS1000-04 YJS820-4
description	O-ring silicone thickness 1.78mm ID ø 6.07mm Qty 1 pcs		
For models:	HVS1000		

compressors

ACC/ZEL

R600A

LBP monophase

Lower evaporation temperature below -20°C

			
1			
Part No.	605141	Ref. No.	DQYD0015 E27B6F1Z0001 HBC1002-15
description	compressor coolant R600a type HPY12AAa 220-240V 50Hz LBP 8.8kg 1/5HP cylinder capacity 12cm ³ RSIR H 200mmWWWWWWWWWW		
For models:	HBC1002, HSA2600		

			
1			
Part No.	605147	Ref. No.	RC600.08
description	compressor coolant R600a type HTH14AA 220-240V 50Hz LBP 9.37kg 1/4HP cylinder capacity 14cm ³ RSIR/RSCR H 183mmWWWWWWWW		
For models:	HRE2600		

			
1			
Part No.	605150	Ref. No.	1.1.A.A02.01
description	compressor coolant R600a type HVM10AA 220-240V 50Hz LBP 8.7kg 1/6HP cylinder capacity 10cm ³ RSIR H 180mmWWWWWWWWWW		
For models:	HCV1100		

			
1			
Part No.	605142	Ref. No.	DQYD0014
description	compressor coolant R600a type HVM86AA 220-240V 50Hz LBP fully hermetic 7.83kg 1/7HP cylinder capacity 8.6cm ³ RSIR H 174mmWWWWW		



EMBRACO / ASPERA

R290A

LBP monophase

Lower evaporation temperature below -20°C



1

Part No.	605243	Ref. No.	A080100000 A0801000468
description	compressor coolant R290 type NEU2155U 220-240V 50Hz LBP 11.2kg 3/4HP cylinder capacity 13.54cm ³ CSIR H 190mm 463W 744W 916W 1110W test method ASHRAE		
For models:	HSC300N, HSC300N-Silver		

R404a/R507

LBP monophase

Lower evaporation temperature below -20°C



1

Part No.	605164	Ref. No.	E27A4P4E0000
description	compressor coolant R404A type NEU2178GK 220-240V 50Hz LBP 17kg 1HP cylinder capacity 17.4cm ³ CSR H 220mm 442W 610W 808W 1032W 1285W 1565W test method ASHRAE		
For models:	RN700		

SECOP DANFOSS


R134A

HMBP monophase

High/Medium evaporation temperature above -20/-15 °C



1

Part No.	605087	Ref. No.	E27A1N2S0000
description	compressor coolant R134a type SC12G 220-240V 50Hz HMBP fully hermetic 12.6kg 1/3HP power input 470W cylinder capacity 12.9cm ³ RSIR/CSIR H 203mm 140W 216W 312W 430W 574W 746W 951W 1191W 1469W test method ASHRAE 79.6W 1790W		
For models:	RC700		
spare parts for	605087		
	Part No.	380483	Ref. No. —
	start relay DANFOSS 117U6003 HST		

miscellaneous

R134A



1

Part No.	605240	Ref. No.	DQYA0049 HSC800-07
description	compressor HuaGuang coolant R134a type AN150ML 220-240V 50Hz LBP 10.5kg 1/2HP cylinder capacity 15.1cm ³ CSIR H 180mm test method ASHRAE		
For models:	HSC800		




1

Part No.	605239	Ref. No.	DQYA0009 HBC2003-15
description	compressor HuaGuang coolant R134a type ANA90 220-240V 50Hz 10.5kgHP power input 255W cylinder capacitycm ³ H 180mmWWWWWWWWWW		
For models:	HBC2003		



1

Part No.	605148	Ref. No.	RN600.06
description	compressor KULTHORN type AEA2415Y coolant R134a 220-240V 50HzHP cylinder capacitycm ³ WWWWWW		
For models:	HFR2600		



1

Part No.	605245	Ref. No.	DQYA0014 HSC350-07 HSC360-11
description	compressor HuaGuang coolant R134a type ATA72XL 220-240V 50/60Hz 7.2kg 1/5HP cylinder capacity 7cm ³ H 160mmWWWWWWWWWW		
For models:	HSC350, HSC350B, HSC360, HSC360B		

R600A



1

Part No.	605272	Ref. No.	DQYD0009
description	compressor HuaGuang coolant R600 type ETA110 220-240V 50Hz LBP 8kg 1/4HP cylinder capacitycm ³ RSIRWWWWWW		
For models:	HSC350DD, HSC350G, HSC350GB, HSC360G, HSC360GB		




1

Part No.	605140	Ref. No.	DQYA0087
description	compressor KONOR type GQR90AA coolant R134a 220-240V 50Hz 10.1kg 1/4HP cylinder capacity 9.1cm ³ RSIR H 186mmWWWWWWWW		

accessories


starting relays

miscellaneous



1

Part No.	381450	Ref. No.	RC600.13 RC600.14
description	start relay 230V 16A		
For models:	HRE2600		



1

Part No.	381449	Ref. No.	RN600.09
description	start relay KULTHORN KME 682-26NT 230V 16A		
For models:	HFR2600		



overload protector (klixon)



Part No.	391044	Ref. No.	RN600.08
description	overload protector for engine protective circuit breaker Klixon with cable t.max. 105°C		
For models:	HFR2600		

miscellaneous



Part No.	699425	Ref. No.	1.1.C.C41.01
description	vibration damper ø 25mm H 10mm		
For models:	HCV1100		

fans

axial fans

ebm-papst



Part No.	601813 ¹	Ref. No.	RC600.33
description	axial fan L 119mm W 119mm H 38mm 230VAC 50/60Hz 19W bearing ball bearing manuf. no. 4656N/A02 cable length 800mm metal connection plug ebm-papst fan wheel ø 110mm		
For models:	HRE2600		

¹with slide bearings

import



Part No.	601604 ¹	Ref. No.	E17A1A010100
description	axial fan L 119mm W 119mm H 38mm 230VAC 50/60Hz 17/15W bearing slide bearing manuf. no. AA1282HS-AT connection cable 300mm fan wheel ø 110mm temp.-resist. 70°C input current 0.1A airflow 130m ³ /h 2600rpm		
For models:	HSA2600		

¹with slide bearings



Part No.	601787 ¹	Ref. No.	DQFA1000 DQFD1000 DQFD1001 HBC1002-33 HSC350-42 HSC360-30 HSC800-44
description	axial fan L 119mm W 119mm H 38mm 230VAC 50/60Hz 22/38.4W bearing slide bearing manuf. no. HT-A12038S220 connection plug cable length 300mm HUI TONG fan wheel ø 110mm input current 0.1/0.16A housing aluminium		
For models:	GSC1100G, HSC350, HSC350B, HSC350DD, HSC350G, HSC350GB, HSC360, HSC360B, HSC360G, HSC360GB, HSC800, HSC800G		

¹with slide bearings

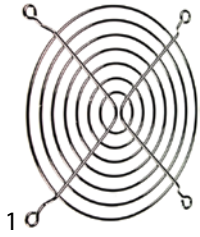


Part No.	602136	Ref. No.	DQFD2003 HBC2003-33
description	axial fan L 119mm W 119mm H 38mm 230VAC 50/60Hz 22/38.4W bearing slide bearing manuf. no. HT-A12038S220 connection with cable 500mm cable length 300mm HUI TONG fan wheel ø 110mm input current 0.1/0.16A housing aluminium		
For models:	HBC1002, HBC2003, HBC2003G		



accessories

fan guards



Part No.	691104	Ref. No.	HBC1002-34 HBC2003-34 HSC350-43 WJFZ0007
description	guard ø 115mm mounting distance 105mm for axial fan 119mm		
For models:	HBC1002, HBC2003, HBC2003G, HSC350, HSC350B, HSC350DD, HSC350G, HSC350GB		



refrigeration fans

refrigeration motors universal

ebm-papst

miscellaneous

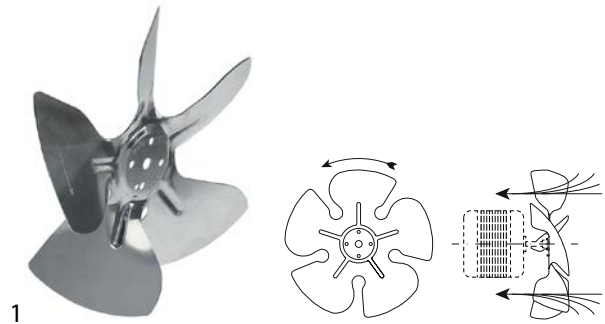


Part No.	601783	Ref. No.	E17A1A050500 E17A1A100900
description	fan motor 10W 230V 50/60Hz L3 87mm W 67mm cable length 400mm 1300rpm ebm-papst M4Q045-CA03-51/C18 3 mounting options bearing slide bearing for refrigerated counters		
For models:	HSA2600, RC700, RN700		
spare parts for	601783		
	Part No.	601413	Ref. No. —
accessories for	601783		
	Part No.	601385	Ref. No. E181A1723401
description	fan wheel sucking ø 172mm fan wheel mounting 25.4mm blade angle 34° W 42mm aluminium		

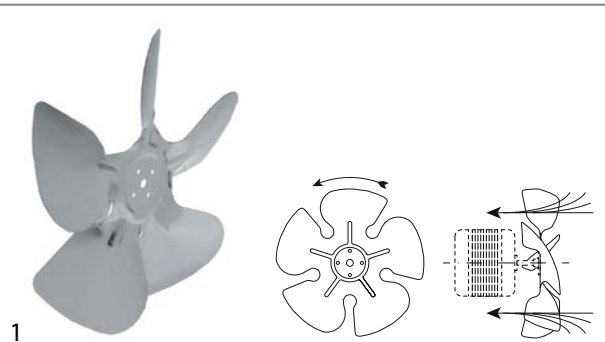
accessories

fan wheels

aluminium



Part No.	601385	Ref. No.	E181A1723401
description	fan wheel sucking ø 172mm fan wheel mounting 25.4mm blade angle 34° W 42mm aluminium		
For models:	HSA2600		




Part No.	602113	Ref. No.	E181A2303401
description	fan wheel sucking ø 230mm fan wheel mounting 25.4mm blade angle 34°		
For models:	RC700, RN700		

fan guards



Part No.	602101	Ref. No.	E192A1200300 E192A1723800
description	guard ø 210mm H 35mm mounting distance 1 230mm mounting distance 2 100mm		
For models:	HSA2600		

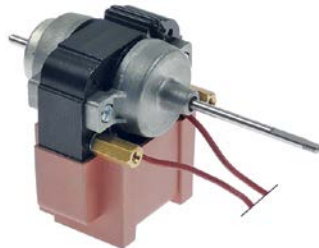



1

Part No.	602112	Ref. No.	E191A2303800 E192A2303800
description	guard ø 250mm H 28mm mounting distance 1 265mm mounting distance 2 115mm		
For models:	RC700, RN700		

cold air circulating fans


cold air circulating fans



1

Part No.	602079	Ref. No.	1.1.A.A03.01.73
description	fan motor 220-240V 50Hz 5W shaft ø 4mm shaft L 16/55mm L 140mm W 65mm H 76mm		
For models:	HCV1100		

cooling motors (complete)




1

Part No.	601836	Ref. No.	DQJB2004 HBC1002-07 HBC2003-07 HSC800-19
description	fan 220V 25/3W 50/60Hz fan wheel ø 172mm L 82mm W 82mm connection spate terminal M4 cable length 1000mm		
For models:	HBC1002, HBC2003, HBC2003G, HSC800		


accessories

fan wheels for cold air circulating fans





1

Part No.	601846	Ref. No.	1.1.C.C17.01 1.1.C.C17.04
description	fan wheel blowing ø 150mm shaft intake ø 4mm W 33mm plastic Qty 1 pcs		
For models:	HCV1100		



1

Part No.	601835	Ref. No.	DQJB2013	
description	fan 220V 35/5W 50/60Hz L 82mm W 82mm connection spate terminal M4 cable length 1100mm			
spare parts for	601835			
	Part No.	602184	Ref. No.	—
	fixing plate suitable for fanwheel ED ø 33mm shaft ø 6 mounting distance 17mm			



1

Part No.	698933	Ref. No.	1.1.A.A03.01.59
description	fan wheel sucking ø 150mm shaft intake ø 3.5x4mm W 10.5mm Qty 1 pcs blades 6		
For models:	HCV1100		



cross flow fans

IMPORT



1

Part No.	601812	Ref. No.	RC600.16
description	cross flow fan YJ61-14A-HZ01 roller ϕ 60mm roller length 180mm laminated core thickness 18mm motor position left 220-240V/50-60Hz 13W refrigeration bearing rubber connection plug -30 up to +100°C 220V cable length 300mm 50Hz		
For models:	HRE2600		



1

Part No.	601847	Ref. No.	A0805000051
description	cross flow fan YJ61-16A-HZ03 roller ϕ 60mm roller length 180mm laminated core thickness 15mm motor position right 220-240V/50-60Hz 27W refrigeration bearing rubber connection male faston 6.3mm -10 up to +60°C 230V 50/60Hz		
For models:	HSC300N, HSC300N-Silver		

accessories for cross flow fans

fasteners



1

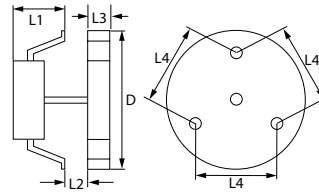
Part No.	692388	Ref. No.	RC600.17
description	bracket for cross flow fan L 295mm W 85mm H 25mm Qty 1 pcs		
For models:	HRE2600		


hot air fans

miscellaneous



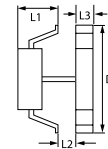
1



Part No.	500902	Ref. No.	MOT30029	
description	fan motor 220V 55W 50/60Hz L1 68mm FIME type L25R without fan wheel			
For models:	HCO500			
accessories for	500902			
	Part No.	550879	Ref. No.	—
	insulation ϕ 130mm thickness 3mm hole ϕ 18mm for hot air fan			



1



Part No.	602140	Ref. No.	AD200057
description	hot air fan 18V 2750rpm L1 6mm L2mm L3 16mm L4mm fan wheel ϕ 85mm type YHWF-110		
For models:	HIC3500		



accessories

fan wheels for hot air fans



1			
Part No.	601261	Ref. No.	VEN30013
description	fan wheel ø 154mm W 25mm shaft intake ø 6x5mm chrome-plated blades 7		
For models:	HCO500		

accessories universal



1			
Part No.	699426	Ref. No.	1.1.C.C46.04.16
description	frame ø 160/210mm for fan		
For models:	HCV1100		




1			
Part No.	699309	Ref. No.	HSC360-35 WJFZ0008
description	guard ø 194mm hole distance 208mm		
For models:	HSC360, HSC360B, HSC360G		

motors

motors

for vegetable slicers



1			
Part No.	601855	Ref. No.	1.04.05001406100-1
description	motor 230V 550W 50Hz 1400rpm 1 phase shaft ø 31.5mm shaft length 37mm H 220mm mounting distance 170mm		
For models:	HVC1001		
spare parts for	601855		
	Part No.	Ref. No.	—
	365020		
	operating capacitor capacity 14µF 400V tolerance 5%Hz ambient temperature max. -25 to +85°C ø 35mm L 70mm M8 plastic connection male faston 6.3mm protection		

pumps

vacuum pumps

vacuum pumps



1			
Part No.	602111	Ref. No.	HVS1000-30 YJS820-30
description	vacuum pump 220/240V 0.32kW 50Hz type OLF400Z		
For models:	HVS1000		

condensators & interference suppression filters

starting capacitors

starting capacitors



1			
Part No.	365214	Ref. No.	RC600.12
description	starting capacitor 5µF 450V 50/60Hz duty cycle 5% ø 35mm L 60.5mm connection male faston 4.8mm		
For models:	HRE2600		

fuses

fine fuses



1			
Part No.	358186	Ref. No.	DZJ020003
description	fuse size ø6.3x32 15A slow-acting rated 250V Qty 1 pcs		
For models:	HIC3500		



electric accessories

plugs - couplings - power sockets

appliance sockets/plugs

low temperature appliances 70°C



1

Part No.	551334	Ref. No.	HVS1000-38 YJS820-38
description	plug for box mounting receptacles C14 max 10A/250V F4.8		
For models:	HVS1000		

cables

power supply cables



1

Part No.	698880	Ref. No.	E25EUB315300
description	connecting cable 3-pole contacts P+N+E 1.5mm ² max. 16A max 250V 2.9m		
For models:	HSA2600, RC700, RN700		



1

Part No.	699313	Ref. No.	RN600.01
description	connecting cable CEE7/7 type E+F 3-pole contacts P+N+E 0.75mm ² max. 16A max 250V 2.87m		
For models:	HFR2600		



1

Part No.	551203	Ref. No.	CAV30014
description	connecting cable CEE7/7 type E+F 3-pole contacts P+N+E 2.5mm ² max. 16A max 230V 2m H07 RN-F with plug		
For models:	HCO500		



1

Part No.	550726	Ref. No.	HVS1000-39 YJS820-39
description	low temperature appliance supply cable CEE7/7 - C15 3-pole contacts P+N+E 1mm ² max. 10A max 250V 2.0m H05VVF T70 2-pole + earthing insulation PVC		
For models:	HVS1000		



1

Part No.	551217	Ref. No.	DQXA6002 HBC1002-16 HBC2003-16 HSC350-05 HSC360-05
description	power lead CEE7/7 type E+F 3-pole contacts P+N+E 0.75mm ² max. 16A 2.2m with strain relief 16A Qty 1 pcs white		
For models:	GSC1100G, HBC1002, HBC2003, HBC2003G, HSC350, HSC350B, HSC350DD, HSC350G, HSC350GB, HSC360, HSC360B, HSC360G, HSC360GB, HSC800, HSC800G		



1

Part No.	551218	Ref. No.	1.1.A.A08.02.02 1.1.A.A08.02.36 1.1.A.A08.02.79 1.1.A.A08.02.87
description	power lead CEE7/7 type E+F 3-pole contacts P+N+E 0.75mm ² max. 16A max 230V 2m Qty 1 pcs grey		
For models:	HCV1100		



1

Part No.	551325	Ref. No.	XC0000071R
description	power lead P+N+E 1mm ² max 500V 1.5m Qty 1m connection screw		
For models:	HIC3500		

PVC cable



1

Part No.	551331	Ref. No.	A0927000129
description	PVC cable 2-pole 0.75mm ² L 580mm white permanent temperature°C t.max.°C test voltageV		
For models:	HSC300N, HSC300N-Silver		

accessories

cable glands

threaded cable glands

screw connections



1

Part No.	551379	Ref. No.	PPC30004
description	cable gland thread PG13.5 cable ø 12mm mounting ø 20mm WS 24 plastic Qty 1 pcs with nut		
For models:	HCO500		

strain reliefs



1

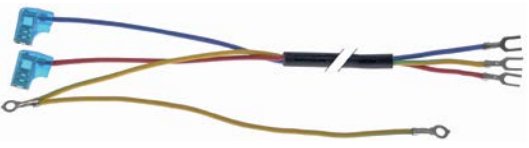
Part No.	506273	Ref. No.	HVS1000-44 YJS820-44
description	strain relief L 20mm W 8mm hole ø 4mm Qty 1 pcs		
For models:	HVS1000		



1


Part No.	506235	Ref. No.	1.1.C.C24.03
description	strain relief L 28mm W 12mm H 8mm hole ø 3.5mm hole distance 16mm plastic Qty 1 pcs		
For models:	HCV1100		

connection cables



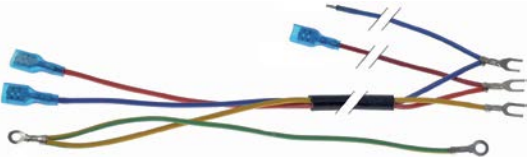
1

Part No.	699304	Ref. No.	DQXB9019 HBC1002-21 HBC2003-21
description	connection cable L 360mm 3-pole		
For models:	HBC1002, HBC2003, HBC2003G		



1

Part No.	699305	Ref. No.	DQXB2003 HSC350-03 HSC360-03
description	connection cable L 650mm 3-pole		
For models:	HSC350, HSC350B, HSC350DD, HSC350G, HSC350GB		




1

Part No.	699306	Ref. No.	DQXB4003 HSC800-02
description	connection cable L 665mm 3-pole		
For models:	GSC1100G, HSC800, HSC800G		

terminals


connection terminals with screw/faston connections



1

Part No.	550516	Ref. No.	MOR30005
description	power terminal block 3-pole max. 40A max 400V connection M6/ male faston 6.3mm temp.-resist. 150°C cross section 6mm ² mounting distance 66.5mm		
For models:	HCO500		

terminal boxes




1

Part No.	551216	Ref. No.	HBC1002-17 HBC2003-17 HSC350-06 HSC360-10 HSC800-21 SLZB3001
description	terminal box 4-pole L 90mm W 52mm H 33mm with strain relief 250V 1mm ² Qty 1 pcs		
For models:	HBC1002, HBC2003, HBC2003G, HSC350, HSC350B, HSC350DD, HSC350G, HSC350GB, HSC360, HSC360B, HSC360G, HSC360GB		

equipmentspecific units

for vegetable slicers

ejector discs



1

Part No.	699135	Ref. No.	3.HLC300087040301
description	ejector disc high H 30mm ø 200mm seat ø 20mm hole distance 41mm		
For models:	HVC1001		


grating discs



1

Part No.	699633	Ref. No.	2,0000001 HVC1001-Pos.033.4
description	grating disc type H3 ø 205mm seat ø 19mm H 33mm slicing thickness 3mm		
For models:	HVC1001		





			
1			
Part No.	699634	Ref. No.	2,0000021 HVC1001-Pos.033.5
description	grating disc type H4 ø 205mm seat ø 19mm H 33mm slicing thickness 4mm		
For models:	HVC1001		

cutting discs


blades smooth

cutting discs


			
1			
Part No.	699631	Ref. No.	2,0000004 HVC1001-Pos.033.2
description	slicing disk type P2 ø 205mm seat ø 19mm slicing thickness 2mm plastic		
For models:	HVC1001		

			
1			
Part No.	699632	Ref. No.	2,0000003 HVC1001-Pos.033.3
description	slicing disk type P4 ø 205mm seat ø 19mm slicing thickness 4mm plastic		
For models:	HVC1001		


stick slicing discs

			
1			
Part No.	699638	Ref. No.	2,0000008
description	stick slicing disc type HU4 ø 205mm seat ø 19mm slicing thickness 4mm		


plungers


			
1			
Part No.	696868	Ref. No.	3.HLC300A081060201
description	plunger ø 50mm L 130mm total length 275mm plastic		
For models:	HVC1001		

spindles

			
1			
Part No.	692921	Ref. No.	2.HLC300045000
description	spindle L1 37mm L2 88mm D1 ø 19mm D2 ø 14mm for vegetable slicer total length 128mm		
For models:	HVC1001		

miscellaneous

			
1			
Part No.	692924	Ref. No.	2.HLC300-092120340
description	spacer bush ED ø 20mm ID ø 15.5mm H 27mm for vegetable slicer		
For models:	HVC1001		

			
1			
Part No.	692925	Ref. No.	2.HLC300-060100410
description	threaded bush ED ø M16mm ID ø M10mm H 285mm for vegetable slicer		
For models:	HVC1001		



for fridges

spare parts and accessories



1			
Part No.	694868	Ref. No.	HSC350-11
description	bracket for dryer L 40mm W 30mm H 31mm Qty 1 pcs		



1			
Part No.	694869	Ref. No.	HSC350-17
description	cover L 153mm W 57mm H 110mm plastic Qty 1 pcs mounting distance 125mm		



1			
Part No.	694967	Ref. No.	SLCX0002
description	cover L 51mm W 44mm H 12mm plastic mounting distance 30mm		
For models:	HSC350DD, HSC350G, HSC360G		



1			
Part No.	698881	Ref. No.	P01AA08A0002
description	filter for condensate L 270mm W 228mm H 3.5mm plastic		
For models:	RC700		



1			
Part No.	698878	Ref. No.	HBC1002-47 HBC2003-46 WJQZ9000 WJQZ9001
description	guide counterweight for sliding door L 248mm W 20mm H 10mm		
For models:	HBC1002, HBC2003, HBC2003G		



1			
Part No.	750691	Ref. No.	P01AF00A0004
description	pressure compensation valve L 104mm W 59mm H 87mm		
For models:	HFR2600G		

housing and bezels

covers



1			
Part No.	694588	Ref. No.	RC600.31
description	cover for axial flow fan W 663mm H 222mm plate thickness max. 0.7mm plate Qty 1 pcs		
For models:	HRE2600		



1			
Part No.	698891	Ref. No.	HBC1002-25 PTBP9N76
description	cover for compressor L 900mm W 65mm H 52mm Qty 1 pcs		
For models:	HBC1002		



1			
Part No.	698890	Ref. No.	HBC2003-25 PTBP9N88
description	cover L 1350mm W 65mm H 52mm Qty 1 pcs		
For models:	HBC2003		



lids



1			
Part No.	698886	Ref. No.	HSC800-16
description	cover for compressor white L 1005mm W 325mm H 45mm Qty 1 pcs		

handles



1			
Part No.	692390	Ref. No.	LCCG0005
description	handle rod for door L 380mm W 40mm aluminium Qty 1 pcs		
For models:	GSC1100G		

holders



1			
Part No.	692384	Ref. No.	P01AF07A0004 RN600.21
description	bracket for evaporator mounting pos. left L 98mm W 34mm H 37mm plastic Qty 1 pcs		
For models:	HFR2600, HFR2600G		



1			
Part No.	692383	Ref. No.	P01AF07A0003 RN600.20
description	bracket for evaporator mounting pos. right L 98mm W 34mm H 37mm plastic Qty 1 pcs		
For models:	HFR2600, HFR2600G		

caps



1			
Part No.	698986	Ref. No.	B1301080400
description	cap ø 10.7mm H 6mm Qty 5 pcs		
For models:	HSC300N		



1			
Part No.	698981	Ref. No.	B1301080403
description	cover cap L 15mm W 12mm H 6mm plastic		
For models:	HSC300N		

miscellaneous



1			
Part No.	694859	Ref. No.	HSC800-40
description	cover for lighting L 970mm W 280mm plexiglas thickness 1mm		



1			
Part No.	692392	Ref. No.	SLSE4005
description	cover for lighting W 1170mm H 280mm thickness 1mm plastic Qty 1 pcs		
For models:	GSC1100G		




1			
Part No.	694875	Ref. No.	HSC350-19 SLZE0026
description	cover for thermostat		
For models:	HSC350, HSC350DD, HSC350G		



1			
Part No.	692391	Ref. No.	HSC350-39 HSC800-39 SLZE0027
description	housing for bulb socket L 150mm W 40mm H 20mm plastic Qty 1 pcs		
For models:	GSC1100G, HSC350, HSC350B, HSC350DD, HSC350G, HSC350GB, HSC800, HSC800G		




1



Part No.	701268	Ref. No.	RN600.32
description	U profile for evaporator L 635mm W 16mm H 13mm aluminium Qty 1 pcs		
For models:	HFR2600		

1



Part No.	701267	Ref. No.	RC600.21 RN600.14
description	ventilation grille white H 61mm L 770mm mounting pos. lower Qty 1 pcs		
For models:	HFR2600, HRE2600		

doors

doors



1

Part No.	694543	Ref. No.	RC600.41 RN600.30
description	door W 765mm H 1740mm thickness 63mm		
For models:	HFR2600, HRE2600		



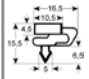
1

Part No.	698989	Ref. No.	BLGM2B12 HSC350-46
description	glass door L 1370mm W 620mm D 47mm		
For models:	HSC350, HSC350G		



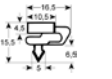
1

Part No.	699381	Ref. No.	BLGM4010
description	glass door left W 600mm H 1330mm D 40mm		
For models:	GSC1100G		
spare parts for	699381		



Part No.	901662	Ref. No.	SLJP4007
description	door seal profile 9156 W 569mm L 1295mm plug size Qty 1 pcs		



Part No.	699382	Ref. No.	BLGM4011
description	glass door right W 600mm H 1330mm D 40mm		
For models:	GSC1100G		
spare parts for	699382		
	Part No.	901662	Ref. No. SLJP4007
door seal profile 9156 W 569mm L 1295mm plug size Qty 1 pcs			



Part No.	699376	Ref. No.	BLGM4161
description	glass door W 460mm H 1230mm mounting pos. right D 30mm		
For models:	HSC800, HSC800G		



Part No.	699375	Ref. No.	BLGM4160
description	glass door W 460mm H 1230mm mounting pos. left D 30mm		
For models:	HSC800, HSC800G		




Part No.	692675	Ref. No.	B0406040009 B0406040010
description	glass door W 592mm H 1625mm thickness 50mm		
For models:	HSC300N, HSC300N-Silver		




Part No.	699374	Ref. No.	BLPM2033 HSC360-40
description	glass door W 620mm H 1600mm D 40mm		
For models:	HSC360, HSC360G		



Part No.	699493	Ref. No.	BLGM4025
description	glass door with lock W 620mm H 680mm D 38mm mounting pos. lower		
For models:	HSC350DD		
spare parts for	699493		
	Part No.	902465	Ref. No. SLJP2015
	refrigeration gasket profile 9161 W 590mm L 650mm plug size		




Part No.	699494	Ref. No.	BLGM4024
description	glass door W 620mm H 680mm D 38mm mounting pos. upper		
For models:	HSC350DD		
spare parts for	699494		
	Part No.	902465	Ref. No. SLJP2015
	refrigeration gasket profile 9161 W 590mm L 650mm plug size		

miscellaneous



Part No.	701431	Ref. No.	HSC360-22 WJLD0000
description	bracket for glass door L 54mm W 42mm H 75mm hole ø 7x12mm Qty 1 pcs		
For models:	HSC360, HSC360B, HSC360G, HSC360GB		

1

Part No.	692731	Ref. No.	RC600.11
description	bracket L 80mm W 58mm D 25mm zinc-plated sheet steel		
For models:	HRE2600		




1

Part No.	694867	Ref. No.	HSC350-29 PTBP2020
description	cover for evaporator L 525mm W 280mm H 53mm plate Qty 1 pcs		
For models:	HSC350, HSC350DD, HSC350G		




1

Part No.	692424	Ref. No.	HSC350-25 SLZV0007
description	cover for lighting mounting pos. inner L 1263mm W 56mm H 20mm plastic Qty 1 pcs		
For models:	HSC350, HSC350B		




1

Part No.	698888	Ref. No.	HBC1002-30 HBC2003-30 SLZV0019
description	cover transparent for lamp L 810mm W 40mm H 30mm Qty 1 pcs		
For models:	HBC2003, HBC2003G		



1

Part No.	692426	Ref. No.	HSC350-26 LCCJ2029
description	guide for fridge L 1145mm W 26mm H 4.5mm Qty 1 pcs		
For models:	GSC1100G, HSC350, HSC350DD, HSC350G, HSC800, HSC800G		



1

Part No.	698877	Ref. No.	HSC800-28 LCCK0001
description	shelf support L 26.5mm W 8.5mm H 40mm aluminium		
For models:	GSC1100G, HSC800, HSC800G		

for freezer cabinets

housing and bezels




1

Part No.	692386	Ref. No.	RC600.35 RN600.26
description	front panel W 770mm H 52mm plastic Qty 1 pcs		
For models:	HFR2600, HRE2600		

for display coolers

spare parts and accessories




1

Part No.	699437	Ref. No.	1.1.B.B09.16
description	counterpart for foot L 44.5mm W 27mm H 15.5mm		
For models:	HCV1100		

housing and bezels


fascias




1


Part No.	698929	Ref. No.	1.1.C.C46.04.08
description	bezel mounting pos. for electronic controller W 185mm D 16mm H 93mm plastic Qty 1 pcs		
For models:	HCV1100		





			
1			
Part No.	698927	Ref. No.	1.1.C.C46.04.09
description	bezel mounting pos. front for vitrine W 696mm D 16mm H 205mm plastic Qty 1 pcs		
For models:	HCV1100		


			
1			
Part No.	698984	Ref. No.	B1301010355
description	bezel mounting pos. lower W 460mm D 14mm H 15mm plastic Qty 1 pcs		
For models:	HSC300N, HSC300N-Silver		


			
1			
Part No.	698977	Ref. No.	B1301080533
description	bezel mounting pos. lower W 535mm D 15mm H 120mm plastic Qty 1 pcs		
For models:	HSC300N		


			
1			
Part No.	698983	Ref. No.	B1301081009
description	bezel mounting pos. upper for control W 593mm D 60mm H 65mm plastic Qty 1 pcs		
For models:	HSC300N		

			
1			
Part No.	692733	Ref. No.	HSC360-27 SLJX2014
description	cover for lamp W 55mm H 20mm L 1040mm		
For models:	HSC360, HSC360B		


			
1			
Part No.	698928	Ref. No.	1.1.C.C46.04.11
description	cover mounting pos. rear-upper for vitrine W 625mm D 165mm H 40mm plastic		
For models:	HCV1100		


			
1			
Part No.	698985	Ref. No.	B1301081032
description	fixing plate mounting pos. upper for control W 283mm D 42mm H 54mm Qty 1 pcs		
For models:	HSC300N		

			
1			
Part No.	699401	Ref. No.	S24AC21A0001
description	front panel mounting pos. front W 865mm D 15mm H 248mm		
For models:	HSA2600		


			
1			
Part No.	699407	Ref. No.	S24AC20A0005
description	sheet mounting pos. upper for door W 890mm D 115mm H 10mm		
For models:	HSA2600		

shelf supports


			
1			
Part No.	698979	Ref. No.	B1301010366
description	shelf support L 42mm W 42mm H 21.5mm mounting pos. left		
For models:	HSC300N, HSC300N-Silver		


			
1			
Part No.	698978	Ref. No.	B1301010365
description	shelf support L 42mm W 42mm H 21.5mm mounting pos. right		
For models:	HSC300N, HSC300N-Silver		


housings

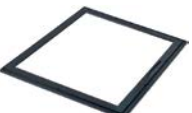
			
1			
Part No.	692437	Ref. No.	1.1.C.C22.07
description	casing cover W 130mm D 70mm H 6mm plastic Qty 1 pcs		
For models:	HCV1100		

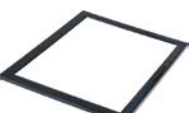



			
1			
Part No.	699175	Ref. No.	P04AC21A0003
description	housing for control part W 200mm D 115mm H 95mm		
For models:	HSA2600		

			
1			
Part No.	692436	Ref. No.	1.1.C.C21.03
description	housing W 128mm D 65mm H 38mm plastic Qty 1 pcs		
For models:	HCV1100		


			
1			
Part No.	699298	Ref. No.	HSC800-38
description	side panel mounting pos. upper for lamp W 40mm H 80mm L 280mm plastic		


frame			
			
1			
Part No.	698925	Ref. No.	1.1.C.C46.01.09
description	frame mounting pos. inner for door W 385mm D 7mm H 330mm plastic Qty 1 pcs		
For models:	HCV1100		


			
1			
Part No.	698926	Ref. No.	1.1.C.C16.01.10
description	frame mounting pos. outer for door W 375mm D 16mm H 325mm plastic Qty 1 pcs		

side parts			
			
1			
Part No.	698919	Ref. No.	1.1.C.C46.04.01
description	side panel mounting pos. left for vitrine W 34mm D 448mm H 450mm plastic Qty 1 pcs		
For models:	HCV1100		

			
1			
Part No.	698921	Ref. No.	1.1.C.C46.04.02
description	side panel mounting pos. right for vitrine W 34mm D 448mm H 450mm plastic Qty 1 pcs		
For models:	HCV1100		

miscellaneous			
			
1			
Part No.	699310	Ref. No.	HSC800-47
description	cover L 500mm W 40mm thickness 0.5mm		

			
1			
Part No.	699315	Ref. No.	HBC1002-39 HBC2003-39 SLZE0042
description	fixing plate for evaporator L 55mm W 27mm H 6mm		
For models:	HBC1002, HBC2003, HBC2003G		

glass panels			
glass panels			
			
1			
Part No.	692668	Ref. No.	1.1.E.E2.08.47
description	glass panel L 435mm W 445mm thickness 10.5mm mounting pos. left/right for vitrine		
For models:	HCV1100		



1

Part No.	698924	Ref. No.	1.1.E.E2.08.16
description	glass panel L 650mm W 523mm H 12.5mm		

1

Part No.	698930	Ref. No.	1.1.E.E2.02.39
description	glass panel Lmm W 360mm H 308mm thickness 10.5mm for door		

doors

1

Part No.	698969	Ref. No.	BLGM9S57 HBC2003-48
description	glass door W 440mm H 770mm mounting pos. left		
For models:	HBC2003, HBC2003G		

1

Part No.	698973	Ref. No.	BLGM9S01 HBC1002-44
description	glass door W 440mm H 770mm mounting pos. right D 25mm		
For models:	HBC1002		


1

Part No.	699378	Ref. No.	BLGM9H02
description	glass door W 440mm H 770mm with catch mounting pos. right D 25mm		

1

Part No.	698970	Ref. No.	BLGM9S5M HBC2003-49
description	glass door W 440mm H 770mm with lock mounting pos. centre delivery freight forwarding company only		
For models:	HBC2003, HBC2003G		

1

Part No.	698972	Ref. No.	BLGM9S00 HBC1002-45	
description	glass door W 440mm H 770mm with lock mounting pos. left			
For models:	HBC1002			
accessories for	698972			
	Part No.	902210	Ref. No.	HBC2003-52 JNMA0000
gasket L 930mm Qty 1 dimensions 5x6mm				



			
1			
Part No.	698971	Ref. No.	BLGM9S52 HBC2003-50
description	glass door W 440mm H 770mm with lock mounting pos. right		
For models:	HBC2003, HBC2003G		


			
1			
Part No.	699379	Ref. No.	BLGM9H01
description	glass door W 440mm H 770mm with rollers D 25mm d 8mm delivery freight forwarding company only		

			
1			
Part No.	699380	Ref. No.	BLGM9H00 GBC1001-44
description	glass door W 600mm H 800mm D 30mm		

door mechanics

miscellaneous

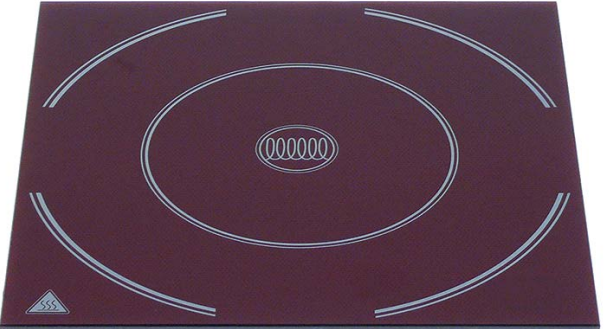


			
1			
Part No.	694928	Ref. No.	HBC1002-48 HBC2003-44 WJXC0000
description	door magnet L 46mm W 16mm H 14.5mm		
For models:	HBC1002, HBC2003, HBC2003G		

			
1			
Part No.	694929	Ref. No.	HBC1002-49 HBC2003-45 WJXC0000
description	plate for magnet L 45mm W 12mm H 1.5mm mounting distance 32mm		
For models:	HBC1002, HBC2003, HBC2003G		

for pyroceram ranges


ceramic hobs

ceramic glass plates

				
1				
Part No.	694932	Ref. No.	MBA000234	
description	ceramic plate for induction device L 274mm W 274mm thickness 4mm			
For models:	HIC3500			
accessories for	694932			
	Part No.	890015	Ref. No.	—
	high temperature silicone OTTOSEAL S17 t.max. 285°C red/brown cartridge 310ml			
	Part No.	890060	Ref. No.	—
	adhesive PACTAN 6076 310ml 250°C anthracite			

for deep fryers

fasteners

			
1			
Part No.	692544	Ref. No.	2.02HDF4260701 HDF2128-023
description	mounting strap L 63mm W 25mm H 15mm		
For models:	HDF2128		

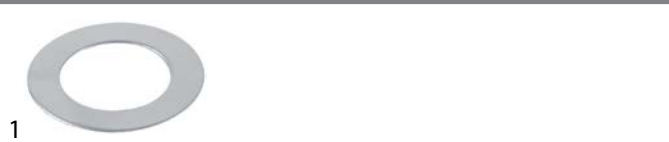


lids



1			
Part No.	698544	Ref. No.	3.CP0603070100 GDF1104-032 HDF1108-035 HDF2128-036
description	mushroom cap handle handle ø 50mm ø 70mm L 36mm plastic black		
For models:	HDF1104, HDF1108, HDF2128		

miscellaneous



1			
Part No.	694738	Ref. No.	HDF1108-030 HDF2128-031
description	bezel plate L 45mm H 1mm ID ø 30mm		

for convection ovens/combi-steamers

glass panels



1			
Part No.	694950	Ref. No.	VET30017
description	door glass for combi-steamer L 485mm mounting pos. inner W 415mm thickness 4mm		
For models:	HCO500		



1			
Part No.	694951	Ref. No.	VET05021
description	door glass for combi-steamer L 555mm mounting pos. outer W 425mm thickness 4mm		
For models:	HCO500		

for induction devices



1			
Part No.	699334	Ref. No.	WJD000047
description	deflector for induction device L 280mm W 17mm H 14mm		
For models:	HIC3500		



1			
Part No.	699331	Ref. No.	WJD000050
description	grease filter L 125mm W 120mm H 9mm		
For models:	HIC3500		



1			
Part No.	699333	Ref. No.	DQA020343R SLA010075
description	housing for knob L 60mm W 58mm H 25.5mm		
For models:	HIC3500		



1			
Part No.	699336	Ref. No.	AB300015
description	insert for PCB L 298mm W 267mm H 60mm		
For models:	HIC3500		



1			
Part No.	699335	Ref. No.	WJD000048
description	sheet L 320mm W 15mm H 29mm		
For models:	HIC3500		



for tilting bratt pans

miscellaneous



1

Part No.	523510	Ref. No.	4.01.6202GBT294166
description	deep-groove ball bearing type 6202-2RS shaft \varnothing 15mm ED \varnothing 35mm W 11mm with sealing discs deep-groove ball bearing DIN 625-1		
For models:	HVC1001		

for ovens

housing and bezels



1

Part No.	692763	Ref. No.	DEF30123
description	cover for hot air oven L 320mm W 325mm H 62mm		
For models:	HCO500		

for saladettes

housing and bezels



1

Part No.	692692	Ref. No.	KITSR4AC2A00
description	bridge L 168/330/534mm 6 pieces		
For models:	HSA2600		



1

Part No.	993263	Ref. No.	P04AC20A0006
description	cutting board L 950mm W 130mm H 20mm		
For models:	HSA2600		

doors



1

Part No.	701546	Ref. No.	S24AC22A0006
description	door bolt L 28mm mounting pos. upper thread L 8mmmm		
For models:	HSA2600		

for vacuum packers

lids



1

Part No.	699600	Ref. No.	HVS1000-02 YJS820-2
description	lid L 420mm W 350mm HVS1000		
For models:	HVS1000		

air cylinders

air cylinders

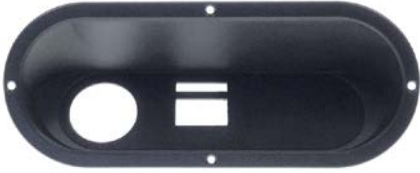


1

Part No.	692702	Ref. No.	HVS1000-17 YJS820-17
description	air cylinder \varnothing 53mm H 30.5mm shaft length 12.8mm 1 pair		
For models:	HVS1000		



housing and bezels



1

Part No.	699610	Ref. No.	HVS1000-34 YJS820-34
description	front panel for vacuum packing machine W 100mm H 40mm HVS1000 L 250mm		
For models:	HVS1000		

rubber bumper



1

Part No.	699607	Ref. No.	HVS1000-31 YJS820-31
description	rubber pad H 3mm L 30mm W 20mm 4 pieces		
For models:	HVS1000		

sealing bars



1


Part No.	699601	Ref. No.	HVS1000-07 YJS820-7
description	sealing bar L 295mm W 20mm H 24mm		
For models:	HVS1000		

base plate




1

Part No.	699617	Ref. No.	HVS1000-24 YJS820-24
description	base plate L 132mm W 105mm H 0.5mm		
For models:	HVS1000		



1


Part No.	699611	Ref. No.	HVS1000-01 YJS820-1
description	base plate L 30mm W 30mm H 2mm 1 pair hole ø 5mm		
For models:	HVS1000		



1


Part No.	699445	Ref. No.	HVS1000-43 YJS820-43
description	base plate L 95mm W 90mm H 0.5mm		
For models:	HVS1000		

miscellaneous



1


Part No.	699604	Ref. No.	HVS1000-48 YJS820-48
description	bracket L 38mm W 36mm H 124mm for microswitch		
For models:	HVS1000		



1

Part No.	699605	Ref. No.	HVS1000-14 YJS820-14
description	clamp L 95mm W 34mm H 48mm		
For models:	HVS1000		



			
1			
Part No.	699608	Ref. No.	HVS1000-10 YJS820-10
description	nut for air inlet thread 1/4"		
For models:	HVS1000		

1			
Part No.	699613	Ref. No.	HVS1000-13 YJS820-13
description	plug L 9mm W 6mm 1 pair		
For models:	HVS1000		

1			
Part No.	699602	Ref. No.	HVS1000-06 YJS820-6
description	rubber rail L 298mm W 23mm H 9.5mm for sealing bar		
For models:	HVS1000		

1			
Part No.	699609	Ref. No.	HVS1000-12 YJS820-12
description	spring L 104mm W 32mm to secure		
For models:	HVS1000		

knobs

universal knobs

1			
Part No.	112733	Ref. No.	3.ZCK165BT19010101MGB GDF1104-020 HDF1108-020 HDF2128-020
description	knob zero mark t.max.°C ø 55mm shaft ø 6x4.6mm shaft flat upper black		
For models:	HDF1104, HDF1108, HDF2128		

miscellaneous

1			
Part No.	692677	Ref. No.	HSC350-20 SLZI0001
description	knob ø 26mm grey zero mark for thermostat shaft diameter 6x4mm Qty 1		
For models:	HSC350, HSC350DD, HSC350G, HSC360, HSC360B, HSC360G, HSC360GB		

accessories

rosettes

1			
Part No.	111806	Ref. No.	3.ZCK165BT20010101-1 GDF1104-019 HDF1108-019 HDF2128-019
description	rosette knob ø 16mm ø 55mm		
For models:	HDF1104, HDF1108, HDF2128		

handles and hand wheels

cylindrical handles

fixed


1			
Part No.	692918	Ref. No.	3.HLC30000511A070100
description	cylindrical handle thread M10 ø 30mm L 97mm plastic for vegetable slicer		
For models:	HVC1001		




star handles


 <p>1</p>			
Part No.	692919	Ref. No.	3.HBS3000095070100
description	star handle thread M8 ϕ 40mm L 32mm black for vegetable slicer		
For models:	HVC1001		


handle rails

 <p>1</p>			
Part No.	699449	Ref. No.	SLZB0020
description	handle rail for fridge L 220mm W 36mm H 23mm grey hole distance 120mm		
For models:	HSC350DD, HSC350G, HSC360, HSC360G		

 <p>1</p>			
Part No.	698869	Ref. No.	HSC800-50 SLZB0037
description	handle rail thread M4 L 300mm		
For models:	HSC800, HSC800G		

bracket handles

 <p>1</p>			
Part No.	699606	Ref. No.	HVS1000-03 YJS820-3
description	handle L 140mm H 38mm mounting distance 120mm hole ϕ 8.5mm		
For models:	HVS1000		

 <p>1</p>			
Part No.	701522	Ref. No.	B2205000001
description	pull handle L 340mm H 40mm mounting distance 270mm hole ϕ 4x8mmmm W 26mm		
For models:	HSC300N		


miscellaneous


 <p>1</p>			
Part No.	692545	Ref. No.	3.HDF409010101 GDF1104-025
description	handle L 96mm W 64mm hole distance 73mm mounting pos. side panel black		
For models:	HDF1104		

hinges

spring assisted hinges

producer-specific

RWA			
 <p>1</p>			
Part No.	701318	Ref. No.	Z01AA02A0007
description	spring assisted hinge mounting pos. left/right L 75mm W 25mm H 100mm A 11mm B 15mm intake 7.5x7.5 refrigeration units mounting distance 25.4mm		
For models:	RC700, RN700		

 <p>1</p>			
Part No.	701145	Ref. No.	RC600.39 RN600.28
description	spring assisted hinge mounting pos. upper L 65mm W 23mm mounting distance 21mm		
For models:	HFR2600, HRE2600		



oven hinges



Part No.	701592	Ref. No.	CER30021 STA00028
description	oven hinge set mounting distance 140mm lever length 42mm groove distance 15mm spring thickness 2.9mm L 170mm mounting pos. left/right with opposite support Qty 2 pcs		
For models:	HCO500		

door bearing



Part No.	701275	Ref. No.	RC600.24 Z01AE62A0005
description	bolt L 19mm mounting pos. lower thread M6 ø 7mm for door hinge Qty 1 pcs		
For models:	HFR2600G, HRE2600		



Part No.	701264	Ref. No.	RN600.16
description	bolt L 32mm mounting pos. lower thread M6 ø 7mm for door hinge Qty 1 pcs		
For models:	HFR2600		



Part No.	701265	Ref. No.	RC600.27 RN600.19
description	bush H 12mm mounting pos. lower ø 19mm ID ø 14.5mm plastic for door hinge Qty 1 pcs		
For models:	HFR2600, HRE2600		



Part No.	701263	Ref. No.	RC600.26 RN600.17 Z01AE62A0012
description	bush H 18mm mounting pos. lower ø 14mm ID ø 7.2mm for door hinge Qty 1 pcs		
For models:	HFR2600, HFR2600G, HRE2600		



Part No.	701280	Ref. No.	WJMA4002
description	door hinge L 42mm W 33mm H 82mm mounting pos. bottom right/left set Qty 1 pcs		
For models:	GSC1100G		



Part No.	701281	Ref. No.	WJMA4005
description	door hinge L 43mm W 82mm H 71mm mounting pos. upper right/left set Qty 1 pcs		
For models:	GSC1100G		



Part No.	698987	Ref. No.	A0706000012
description	door hinge L 64mm W 24mm H 22.6mm mounting pos. lower		
For models:	HSC300N, HSC300N-Silver		





Part No.	694927	Ref. No.	HSC360-29
description	hinge L 105mm W 52mm H 34mm bolt 17mm bolt ø 7mm		





Part No.	692690	Ref. No.	S24AC22A0003
description	hinge L 40mm W 70mm H 22mm mounting distance 2 20mm		
For models:	HSA2600		





 <p>1</p>			
Part No.	701144	Ref. No.	RC600.20 RN600.12
description	hinge L 59mm W 27mm H 59mm mounting pos. bottom left		
For models:	HFR2600, HRE2600		


 <p>1</p>			
Part No.	701143	Ref. No.	RC600.22 RN600.15
description	hinge L 59mm W 27mm H 59mm mounting pos. bottom right Qty 1 pcs		
For models:	HFR2600, HRE2600		


 <p>1</p>			
Part No.	694968	Ref. No.	WJMA2020
description	hinge L 77mm W 19mm H 42mm mounting distance 27mm mounting distance 2 27mm mounting pos. centre thickness 3mm bolt 18/22mm bolt ø 7mm		
For models:	HSC350DD		


 <p>1</p>			
Part No.	694926	Ref. No.	HSC360-23 WJMA2012
description	hinge L 82mm W 42mm H 50mm mounting pos. lower bolt 19mm bolt ø 9mm		
For models:	HSC360, HSC360B, HSC360G, HSC360GB		

 <p>1</p>			
Part No.	694866	Ref. No.	HSC350-22 WJMA2003
description	hinge mounting pos. lower L 82mm W 53mm H 43mm mounting distance 30mm mounting distance 2 56mm thickness 4mm bolt 20mm bolt ø 7mm		
For models:	HSC350, HSC350B, HSC350DD, HSC350G, HSC350GB		

 <p>1</p>			
Part No.	694865	Ref. No.	HSC350-32 WJMA0004
description	hinge mounting pos. upper L 50mm W 33mm H 42mm mounting distance 27mm thickness 3mm bolt 32.5mm bolt ø 9mm Qty 1kg		
For models:	HSC350, HSC350B, HSC350DD, HSC350G, HSC350GB		

 <p>1</p>			
Part No.	698883	Ref. No.	Z01AA02A0004
description	hinge bearing L 180mm W 98mm mounting pos. lower Qty 1 pcs		
For models:	RC700, RN700		

 <p>1</p>			
Part No.	698884	Ref. No.	S21AA02A0002
description	hinge bearing L 55mm W 35mm H 80mm mounting pos. left thickness 3mm without bolt		
For models:	RC700, RN700		

 <p>1</p>			
Part No.	698885	Ref. No.	S21AA02A0003
description	hinge bearing L 55mm W 35mm H 80mm mounting pos. right thickness 3mm without bolt		
For models:	RC700, RN700		

 <p>1</p>			
Part No.	699179	Ref. No.	P01AA02A0008
description	hinge camp L 78mm W 28mm H 22mm mounting distance 27mm mounting pos. bottom right thickness 3mm		
For models:	RC700, RN700		



accessories

base plate



1			
Part No.	701266	Ref. No.	RC600.42 RN600.34 Z01AE62A0010
description	base plate L 88mm W 35mm thickness 3mm for door hinge mounting pos. lower Qty 1 pcs		
For models:	HFR2600, HFR2600G, HRE2600		

pullouts

rollers

roller with holder



1			
Part No.	692385	Ref. No.	RC600.23 RN600.11
description	roller rollerø 21mm B1 7mm with holder SS/plastic mounting pos. lower bearing ball bearing Qty 1 pcs L 52mm mounting distance 41mm		
For models:	HFR2600, HRE2600		

filters

grease filters

grease filter



1			
Part No.	699331	Ref. No.	WJD000050
description	grease filter L 125mm W 120mm H 9mm		
For models:	HIC3500		

accessories



1			
Part No.	699332	Ref. No.	WJD000049
description	frame SS for filter L 144mm W 152mm		
For models:	HIC3500		

equipment feet and end caps

equipment feet

with fixing plate



1			
Part No.	701499	Ref. No.	KITFT1AA0A00
description	equipment feet kit tube ø 64mm plate size 85x85mm hole distance 56x56 up to 65x65mm H 120-185mm SS Qty 4 pcs		
For models:	RC700, RN700		

screw-in feet



1			
Part No.	701593	Ref. No.	PIE30010
description	equipment foot thread M10 thread L 18.5mm ø 49mm H 35mm plastic Qty 4 pcs		
For models:	HCO500		



1			
Part No.	701262	Ref. No.	RC600.19 RN600.13
description	equipment foot thread M10 thread L 40mm ø 36mm H 15.5mm Qty 1 pcs		
For models:	HFR2600, HRE2600		





1			
Part No.	701588	Ref. No.	AB300038
description	equipment foot thread M5 thread L 7mm ø 24mm H 20mm		
For models:	HIC3500		




1			
Part No.	701587	Ref. No.	AB300037
description	equipment foot thread M6 thread L 20mm ø 26mm H 11mm Qty 1 pcs		
For models:	HIC3500		





 <p>1</p>			
Part No.	701279	Ref. No.	HSC350-14 WJLB0008
description	equipment foot thread M8 thread L 22mm ø 35mm H 38mm Qty 1 pcs		
For models:	HSC350, HSC350B, HSC350DD, HSC350G, HSC350GB, HSC360, HSC360B, HSC360G, HSC360GB		

 <p>1</p>			
Part No.	699434	Ref. No.	1.1.C.C32.18
description	equipment foot thread M8 thread L 24mm ø 28mm		
For models:	HCV1100		

 <p>1</p>			
Part No.	701521	Ref. No.	B1301000186
description	equipment foot thread M8 thread L 28mm ø 30mm H 38mm Qty 1 pcs		
For models:	HSC300N, HSC300N-Silver		

bolting feet


 <p>1</p>			
Part No.	701555	Ref. No.	HVS1000-40 YJ820-40
description	equipment feet kit ø 39mm H 17mm Qty 4 pcs		
For models:	HVS1000		

 <p>1</p>			
Part No.	698546	Ref. No.	3,0000161 GDF1104-026 HDF1108-023 HDF2128-024
description	equipment foot ø 29mm H 16mm rubber bore ø 6mm Qty 1 pcs		
For models:	HDF1104, HDF1108, HDF2128		

TENTE

with fixing plate


chrome-plated steel

 <p>1</p>			
Part No.	710026	Ref. No.	KITCS1AA0A00
description	swivel castor set ø 100mm threaded housing chrome-plated steel plate size 76x96mm hole distance 60mm bearing slide bearing wheel body polypropylene H 135mm wheel width 32mm set		
For models:	RC700, RN700		


miscellaneous

with fixing plate


ø30mm

 <p>1</p>			
Part No.	701277 ¹	Ref. No.	HBC1002-24 HBC2003-24 WJLA1009
description	swivel castor 2 with & 2 without brake ø 30mm plate fixing housing zinc-plated sheet steel plate size 61x51mm hole distance mm capacity 60kg bearing slide bearing wheel body PVC tread PVC H 44mm wheel width 23.5mm		
For models:	HBC1002, HBC2003, HBC2003G		

¹with swivel brake

 <p>1</p>			
Part No.	701523	Ref. No.	HSC350-13 WJLA2001
description	swivel castor ø 31mm plate fixing H 45mm wheel width 22.5mm Qty 1 pcs		
For models:	HSC350, HSC350B, HSC350DD, HSC350G, HSC350GB, HSC360, HSC360B, HSC360G, HSC360GB		


ø75mm

 <p>1</p>			
Part No.	701282	Ref. No.	HSC800-14 WJLA1002
description	swivel castor set 2 with & 2 without brake ø 75mm plates fixing 102x83mm housing zinc-plated sheet steel hole distance 55/75mm bearing slide bearing H 112mm wheel width 31mm Qty 4 pcs		
For models:	GSC1100G, HSC800, HSC800G		




baskets

crumb screens



1

Part No.	970869	Ref. No.	2.HDF405069510 GDF1104-028
description	crumb screen L 220mm W 160mm H 35mm 4 litre		
For models:	HDF1104		



1


Part No.	970870	Ref. No.	2.HDF812020609510 HDF1108-032 HDF2128-033
description	crumb screen L 245mm W 200mm H 35mm 8 litre		
For models:	HDF1108, HDF2128		

shelves and shelf rails

grates


universal

without upstand




1

Part No.	970801	Ref. No.	HBC2003-40 WJGA9008
description	grate W 345mm D 400mm chrome-plated steel wire gauge frame 6mm lengthwise wires gauge 2.5mm crossing wires 4 Qty 1 pcs		
For models:	HBC2003, HBC2003G		



1


Part No.	970800	Ref. No.	WJGA9002
description	grate W 345mm D 500mm chrome-plated steel wire gauge frame 6mm lengthwise wires gauge 2.5mm crossing wires 4 Qty 1 pcs		



1


Part No.	970906	Ref. No.	HBC1002-40 WJGA9005
description	grate W 400mm D 345mm chrome-plated steel wire gauge frame 6mm crossing wires 4		
For models:	HBC1002		

with upstand





1

Part No.	970925	Ref. No.	S14AC29A0001
description	grate W 325mm D 570mm GN 1/1 H 55mm plastic-coated steel wire gauge frame 7.5mm lengthwise wires gauge 4mm crossing wires 3 grey		
For models:	HSA2600		



1

Part No.	970909	Ref. No.	I01AA09A0002
description	grate W 530mm D 650mm GN 2/1 H 43mm plastic-coated steel wire gauge frame 7mm lengthwise wires gauge 4mm crossing wires 3 grey		
For models:	RC700, RN700		
accessories for	970909		
	Part No.	701500	Ref. No. KITGD1AA0A00
	pair of setting bar L 670mm W 15mm H 20mm mounting pos. left/right pair		



1

Part No.	970791	Ref. No.	RC600.28
description	grate W 650mm D 530mm GN 2/1 H 10mm plastic-coated steel upper wire gauge frame 8mm lengthwise wires gauge 4mm crossing wires 3 white		
For models:	HRE2600		



producer-specific



Part No.	971150	Ref. No.	RC600.09
description	chargrill grid W 693mm D 303mm H 6mm plastic-coated steel lengthwise wires gauge 4mm crossing wires 4 white		
For models:	HRE2600		



Part No.	970792	Ref. No.	RC600.25
description	grate W 185mm D 640mm plastic-coated steel lower wire gauge frame 7mm lengthwise wires gauge 3.5mm white		
For models:	HRE2600		



Part No.	970995	Ref. No.	HSC800G.16 left WJGA4071
description	grate W 445mm D 480mm H 40mm plastic-coated steel wire gauge frame 6mm lengthwise wires gauge 3.5mm crossing wires 3		



Part No.	970996	Ref. No.	HSC800G.16 right WJGA4073
description	grate W 445mm D 480mm H 40mm plastic-coated steel wire gauge frame 6mm lengthwise wires gauge 3.5mm crossing wires 3		



Part No.	970921	Ref. No.	HSC350-44 WJGA2010
description	grate W 500mm D 425mm H 38mm plastic-coated steel wire gauge frame 6.5mm lengthwise wires gauge 2.5mm crossing wires 6 white Qty 1kg		
For models:	HSC350, HSC350DD, HSC350G		



Part No.	970910	Ref. No.	HSC360-38 WJGA2023
description	grate W 530mm D 380mm H 40mm plastic-coated steel wire gauge frame 6mm lengthwise wires gauge 3mm crossing wires 23		



Part No.	970799	Ref. No.	WJGA4078
description	grate W 540mm D 505mm H 41mm plastic-coated steel wire gauge frame 6mm lengthwise wires gauge 3mm crossing wires 3 white Qty 1 pcs		
For models:	GSC1100G		



Part No.	970916	Ref. No.	1.1.B.B02.05.03
description	grate W 610mm D 310mm chrome-plated steel wire gauge frame 5mm lengthwise wires gauge 3mm crossing wires 5		
For models:	HCV1100		



Part No.	971149	Ref. No.	RN600.05
description	grate W 715mm H 55mm plastic-coated steel L 365mm lengthwise wires gauge 4mm crossing wires 4 white		
For models:	HFR2600		

accessories




Part No.	699311	Ref. No.	HSC800-46
description	profile L 400mm W 28mm H 15mm for grate		

shelf rails and supports

producer-specific



Part No.	698882	Ref. No.	S21AA09A0001
description	guide L 1240mm W 35mm inner height 30mm hook width 16.5mm mounting pos. left/right		
For models:	RC700, RN700		

1

Part No.	698870	Ref. No.	HBC1002-26 HBC2003-26 LCCJ2001
description	guide L 390mm W 25mm mounting pos. left/right inner height 4mm		
For models:	HBC1002, HBC2003, HBC2003G		




1

Part No.	701500	Ref. No.	KITGD1AA0A00
description	pair of setting bar L 670mm W 15mm H 20mm mounting pos. left/right pair		
For models:	RC700, RN700		




1

Part No.	696443	Ref. No.	KITGD4AC2A00
description	pair of setting bar U-shape L 548mm W 20mm inner height 13mm mounting pos. left/right		
For models:	HSA2600		




1

Part No.	701269	Ref. No.	RC600.29
description	rack L 1172mm W 22mm aluminium hole distance 13mm Qty 1 pcs aperture 3x8mm		
For models:	HRE2600		




1

Part No.	698887	Ref. No.	HSC800-27
description	rack L 1400mm W 25mm H 4.5mm hole distance 21mm Qty 1 pcs		




1

Part No.	701550	Ref. No.	S24AC29A0002
description	rack L 244mm W 50mm H 8mm mounting pos. front		
For models:	HSA2600		




1

Part No.	701548	Ref. No.	S24AC29A0004
description	rack L 245mm W 40mm H 30mm mounting pos. left		
For models:	HSA2600		




1

Part No.	701549	Ref. No.	S24AC29A0005
description	rack L 245mm W 40mm H 30mm mounting pos. right		
For models:	HSA2600		




1

Part No.	692398	Ref. No.	HBC1002-41 HBC1003-41 HBC2003-41 LCCK0002
description	shelf support L 24mm W 9mm H 29mm aluminium for fridge Qty 1 pcs		
For models:	HBC1002, HBC2003, HBC2003G		



1

Part No.	692387	Ref. No.	RC600.32
description	shelf support L 31/28mm W 22mm H 19mm Qty 1 pcs		
For models:	HRE2600		



1

Part No.	694591	Ref. No.	HSC350-27 SLZE0028
description	shelf support L 33mm W 9mm H 27mm aluminium for fridge Qty 1 pcs		
For models:	HSC350, HSC350B, HSC350DD, HSC350G, HSC350GB		

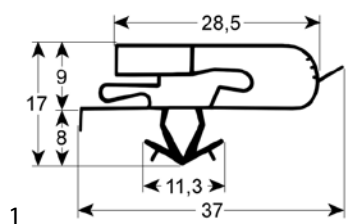


gaskets

refrigeration gaskets

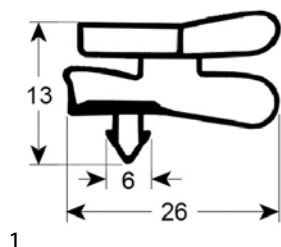
plug-in gaskets

profile 9146

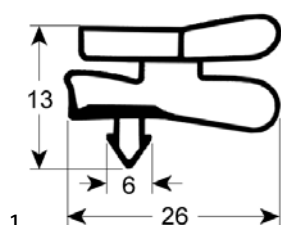


Part No.	902133	Ref. No.	R01AA02A0005
description	refrigeration gasket profile 9146 W 630mm L 1500mm plug size		
For models:	RC700, RN700		

profile 9149

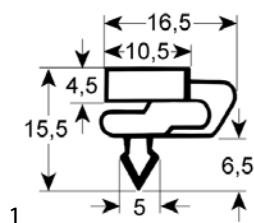


Part No.	902216	Ref. No.	R04AC22A0002
description	refrigeration gasket profile 9149 W 385mm L 480mm plug size		
For models:	HSA2600		

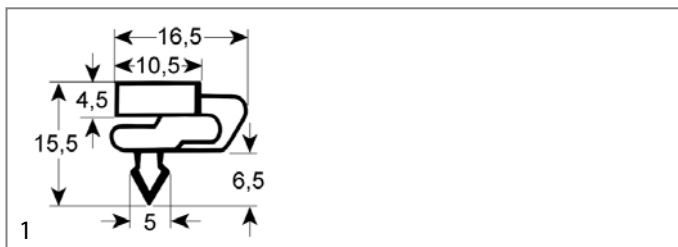


Part No.	901524	Ref. No.	RC600.40 RN600.29
description	refrigeration gasket profile 9149 W 720mm L 1710mm plug size		
For models:	HFR2600, HRE2600		

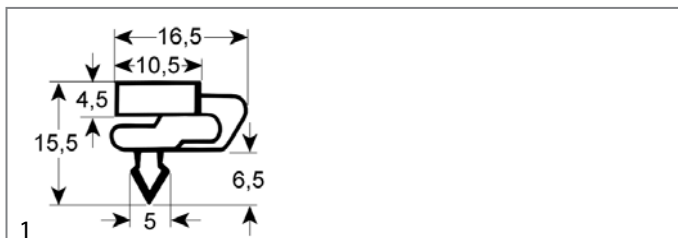
profile 9156



Part No.	901662	Ref. No.	SLJP4007
description	door seal profile 9156 W 569mm L 1295mm plug size Qty 1 pcs		
For models:	GSC1100G		

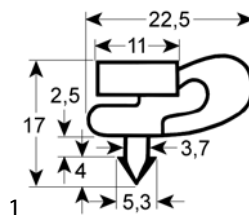


Part No.	901674	Ref. No.	SLJP9002
description	refrigeration gasket profile 9156 W 415mm L 775mm plug size Qty 1 pcs		

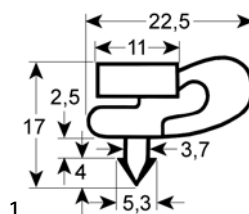


Part No.	901648	Ref. No.	HSC350-45 SLJP2010
description	refrigeration gasket profile 9156 W 595mm L 1340mm plug size Qty 1 pcs		
For models:	HSC350, HSC350G		

profile 9161



Part No.	902208	Ref. No.	HSC360-39 SLJP2025
description	refrigeration gasket profile 9161 W 590mm L 1540mm plug size		
For models:	HSC360, HSC360G		

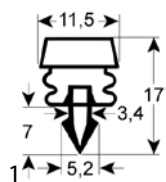


Part No.	902465	Ref. No.	SLJP2015
description	refrigeration gasket profile 9161 W 590mm L 650mm plug size		
For models:	HSC350DD		

mechanical components, equipment accessories

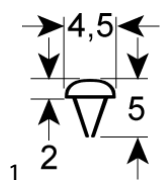


profile 9314



Part No.	902158	Ref. No.	HSC800-53
description	refrigeration gasket profile 9314 Wmm L 1200mm plug size		

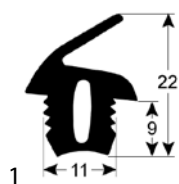
miscellaneous



Part No.	902210	Ref. No.	HBC2003-52 JNMA0000
description	gasket L 930mm Qty 1 dimensions 5x6mm		
For models:	HBC1002, HBC2003		

gaskets for heated units

door seals



Part No.	902446	Ref. No.	GUA30015
description	door seal profile 2718 L 5500mm		
For models:	HCO500		

O-rings

silicone

ø1.78mm



Part No.	371100	Ref. No.	HVS1000-04 YJS820-4
description	O-ring silicone thickness 1.78mm ID ø 6.07mm Qty 1 pcs		
For models:	HVS1000		

shaft gaskets

shaft gaskets



Part No.	692922	Ref. No.	4.01.FB1535721
description	shaft seal ID ø 15mm ED ø 35mm for vegetable slicer H 15mm		
For models:	HVC1001		

special gaskets

for vacuum packers



Part No.	699618	Ref. No.	HVS1000-08 YJS820-8
description	lid gasket L 1365mm		
For models:	HVS1000		

miscellaneous



Part No.	698545	Ref. No.	3.0000404 HDF1108-036 HDF2128-037
description	gasket ED ø 31mm ID ø 21mm		
For models:	HDF1108, HDF2128		



Part No.	698543	Ref. No.	3.0000403 HDF1108-037 HDF2128-038
description	gasket external height 4mm ED ø 25mm ID ø 16mm		
For models:	HDF1108, HDF2128		



refrigeration cycle components

valves

Schrader valves

Schrader valves (complete)



1			
Part No.	750636	Ref. No.	C01AA06A0003
description	Schrader valve complete connection 1/4"SAE ø 6mm L 120mm		
For models:	RC700, RN700		

filter driers

accessories

holders



1			
Part No.	699297	Ref. No.	HBC1002-10 HBC2003-10 HSC360-15 HSC800-11 SLJAC008
description	bracket L 40mm W 30mm H 31mm ID ø 18mm ED ø 22mm for dryer		
For models:	GSC1100G, HBC1002, HBC2003, HBC2003G, HSC350, HSC350B, HSC350DD, HSC350G, HSC350GB, HSC360, HSC360B, HSC360G, HSC360GB, HSC800, HSC800G		

miscellaneous



1			
Part No.	750381	Ref. No.	HBC1002-09 HBC2003-09 HSC360-14 TCGV0002
description	dryer ø 18.5mm L 115.5mm connection 2,4/5,2mm Qty 1 pcs		
For models:	HBC1002, HBC2003, HBC2003G, HSC350, HSC350B, HSC350DD, HSC350G, HSC350GB, HSC360, HSC360B, HSC360G, HSC360GB		



1			
Part No.	750693	Ref. No.	1.1.A.A04.01
description	dryer ø 19mm L 120.5mm connection 2/5mm Qty 1 pcs		
For models:	HCV1100		



1			
Part No.	750378	Ref. No.	C01AE66A0001 RC600.03 RN600.04
description	dryer ø 19mm L 145mm connection 4,5/8mm type XH9 Qty 1 pcs		
For models:	HFR2600, HFR2600G, HRE2600, HSA2600		



1			
Part No.	750641	Ref. No.	C01AA06A0001
description	dryer ø 29mm L 120.5mm connection 8/8mm Qty 1 pcs		
For models:	RC700, RN700		



1			
Part No.	750382	Ref. No.	HSC350-10 HSC800-10 TCGV0002 HSC350-10 TCGV0009
description	dryer ø 18.5mm L 120mm connection 4/7mm Qty 1 pcs		
For models:	GSC1100G, HSC800, HSC800G		
accessories for	750382		
	Part No.	694868	Ref. No. HSC350-11
	bracket for dryer L 40mm W 30mm H 31mm Qty 1 pcs		



1			
Part No.	750635	Ref. No.	C01AA06A0006
description	dryer ø 58mm L 120mm connection 1/4" ODF type SDCL-032S Qty 1 pcs		
For models:	RC700, RN700		



refrigeration pipes

capillary pipes



1

Part No.	694914	Ref. No.	C01AA06A0002
description	capillary pipe L 2790mm ED ϕ 1.4mm Qty 1		
For models:	RC700, RN700		

copper pipes uninsulated



1

Part No.	692730	Ref. No.	HBC1002-12 HBC2003-12 TCGO3004
description	copper pipe ID ϕ 4mm L 0.095m ED ϕ 6mm		
For models:	HBC1002, HBC2003, HBC2003G		



1

Part No.	692418	Ref. No.	1.1.B.B06.26
description	refrigeration pipe copper ID ϕ 5mm L 1m ED ϕ 6mm Qty 1		
For models:	HCV1100		



1

Part No.	692699	Ref. No.	1.1.B.B06.27
description	refrigeration pipe ID ϕ 3.5mm L 0.1m ED ϕ 5mm		

copper pipes insulated



1

Part No.	694913	Ref. No.	C01AA06A0004
description	copper pipe with insulation thickness 8mm insulation thickness 4mm L 1060mm Qty 1		
For models:	RC700, RN700		

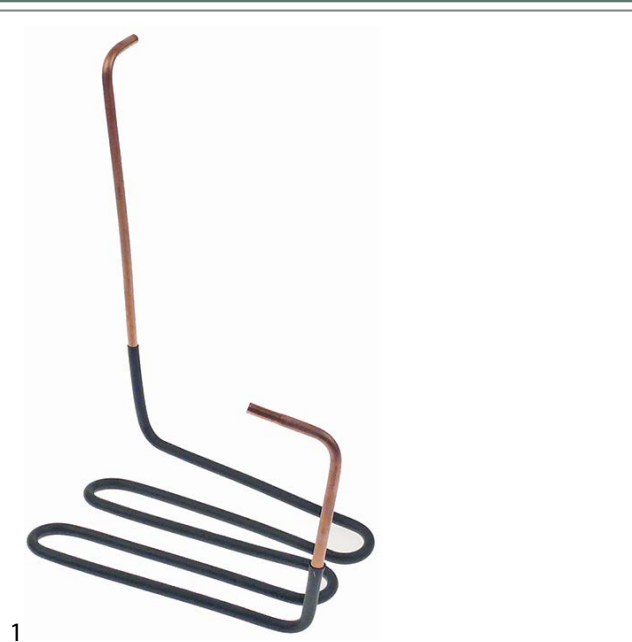
insulation



1

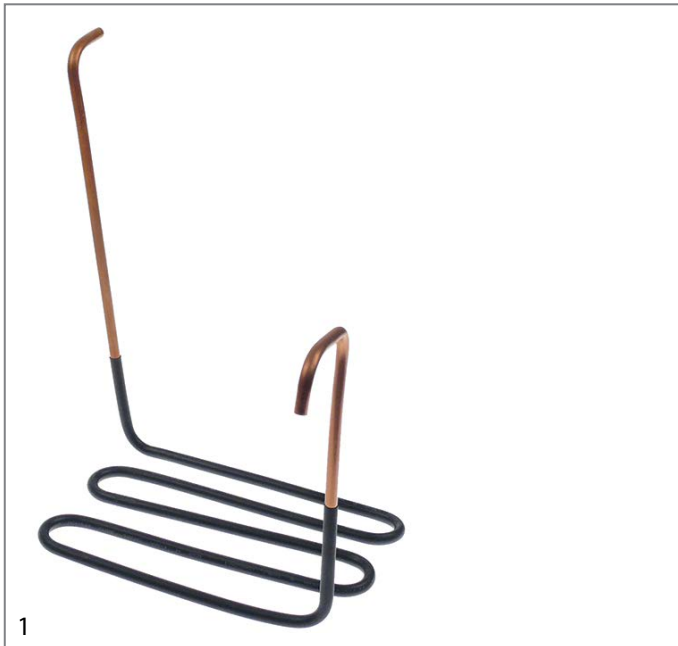
Part No.	694930	Ref. No.	RC600.10
description	insulating hose thickness 8mm model 3/8"x5/8" refrigeration ID ϕ 20mm		
For models:	HRE2600		

heating tubes

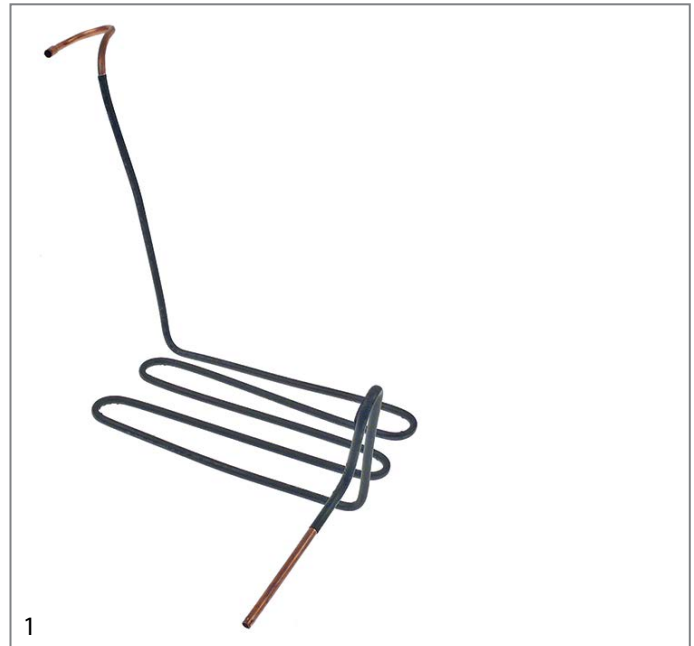


1

Part No.	701501	Ref. No.	C01AA06A0005
description	heater ED ϕ 6.5mm ID ϕ 4.5mm L 210mm Qty 1		
For models:	RC700		



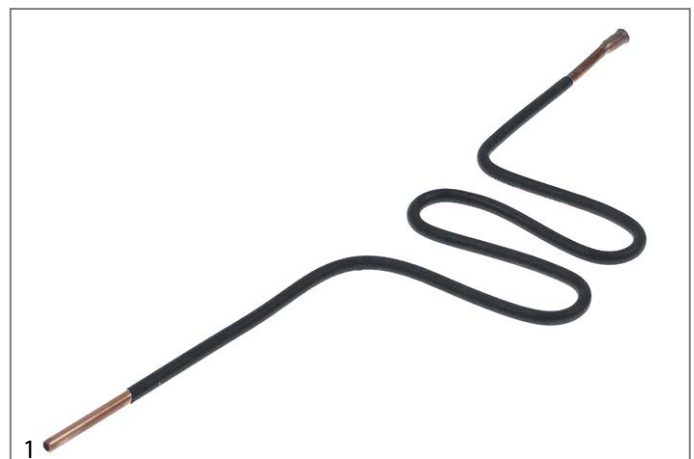
Part No.	701556	Ref. No.	C01AA46A0005
description	heater ED ø 6.5mm ID ø 5mm L 200mm		
For models:	RN700		



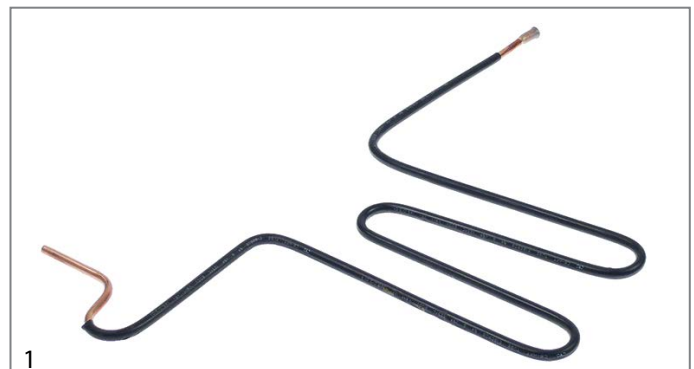
Part No.	701495	Ref. No.	HSC800-08 TCGD4010
description	heater ED ø 6mm ID ø 5mm Qty 1m for evaporator connection ø 6mm		
For models:	GSC1100G, HSC800, HSC800G		



Part No.	701584	Ref. No.	RC600.07 RC600.15
description	heater ED ø 6mm ID ø 5mm L 330mm copper		
For models:	HRE2600		



Part No.	701432	Ref. No.	HSC350-08 HSC360-12 TCGD2012
description	heater pipe ED ø 5mm ID ø 3mm L 350mm copper Qty 1		



Part No.	701582	Ref. No.	HBC1002-11 HBC2003-11 TCGD2001
description	heater pipe ED ø 5mm ID ø 3mm L 355mm H 250mm		



evaporators

for fridges

producer-specific



1	Part No.	750640	Ref. No.	C01AA48A0001
	description	condenser L 245mm W 255mm D 160mm overall height 290mm		
	For models:	RN700		



1	Part No.	750367	Ref. No.	RN600.31
	description	evaporator for deep freezer GFR2600 L 600mm W 450mm H 1200mm		
	For models:	HFR2600		



1	Part No.	750766	Ref. No.	A0802010015
	description	evaporator for deep freezer W 450mm H 1200mm L 600mm HSC300N		
	For models:	HSC300N, HSC300N-Silver		



1	Part No.	750387	Ref. No.	TLZA9000
	description	evaporator for fridge GBC1001 L 430mm W 500mm		



1	Part No.	750376	Ref. No.	HBC1002-38 TLZD9001
	description	evaporator for fridge GBC1002 L 760mm W 500mm		
	For models:	HBC1002		



1	Part No.	750456	Ref. No.	HSC360-21 TLZD2008
	description	evaporator for fridge HSC360 L 780mm W 495mm		



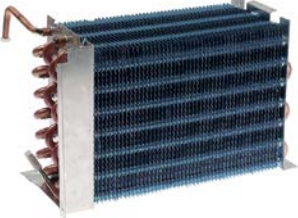
1	Part No.	750361	Ref. No.	RC600.04
	description	evaporator for fridge L 1000mm W 471mm		
	For models:	HRE2600		



1	Part No.	750377	Ref. No.	TLZD9002
	description	evaporator for fridge L 1000mm W 500mm		
	For models:	HBC2003, HBC2003G		




1	Part No.	750634	Ref. No.	HBC2003-38
	description	evaporator L 1000mm W 510mm		

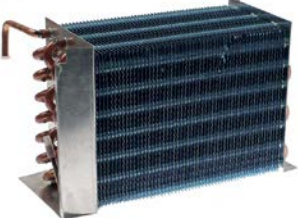
1

Part No.	750638	Ref. No.	C01AA07A0001
description	evaporator L 245mm W 135mm H 190mm total length 310mm overall width 230mm overall height 190mm RC 700 series		
For models:	RC700		




1

Part No.	750637	Ref. No.	C01AA08A0001
description	evaporator L 257mm W 255mm H 122mm overall width 260mm mounting distance 1 187mm		
For models:	RC700		




1

Part No.	750639	Ref. No.	C01AA47A0001
description	evaporator L 305mm W 185mm H 135mm total length 290mm		
For models:	RN700		



1

Part No.	750660	Ref. No.	HSC800-42 TLZA4003
description	evaporator L 620mm W 225mm H 160mm		
For models:	HSC800		



1

Part No.	750375	Ref. No.	TLZA4004
description	evaporator L 760mm W 140mm H 225mm		

for display coolers




1

Part No.	750648	Ref. No.	1.1.A.A10.85
description	evaporator L 305mm W 50mm H 115mm total length 305mm overall width 50mm overall height 150mm		
For models:	HCV1100		

accessories

miscellaneous




1

Part No.	701268	Ref. No.	RN600.32
description	U profile for evaporator L 635mm W 16mm H 13mm aluminium Qty 1 pcs		
For models:	HFR2600		

condensers

filters

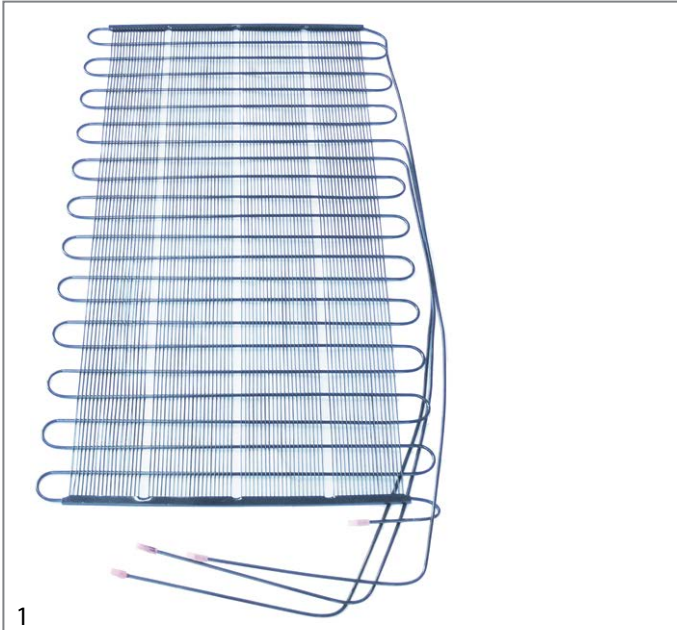


1

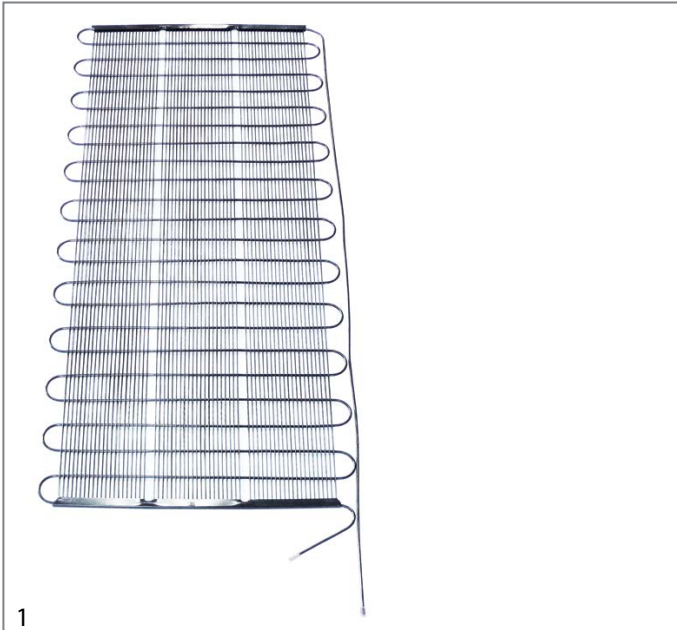
Part No.	699402	Ref. No.	P04AC28A0002
description	filter for condenser L 218mm W 230mm thickness 6mm Qty 1 pcs		
For models:	HSA2600		



condensers



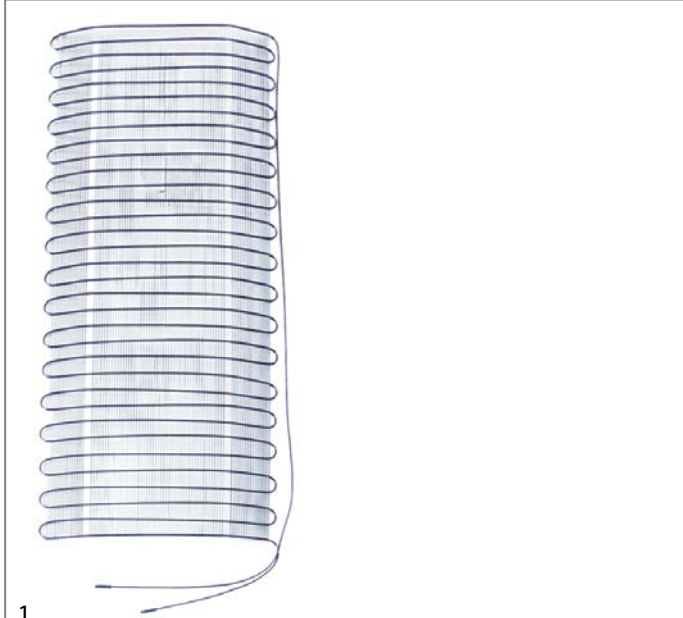
1	Part No.	750379	Ref. No.	RN600.03
	description	condenser for deep freezer W 640mm H 1165mm Qty 1 pcs		
	For models:	HFR2600		



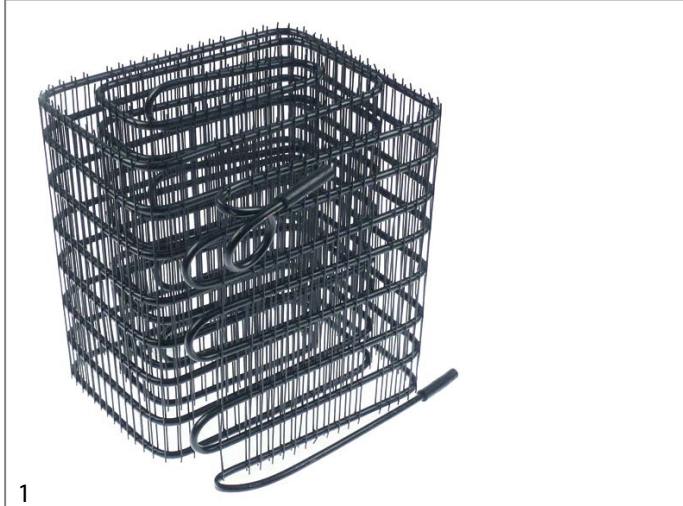
1	Part No.	750360	Ref. No.	RC600.05
	description	condenser for fridge W 500mm H 1170mm Qty 1 pcs		
	For models:	HRE2600		



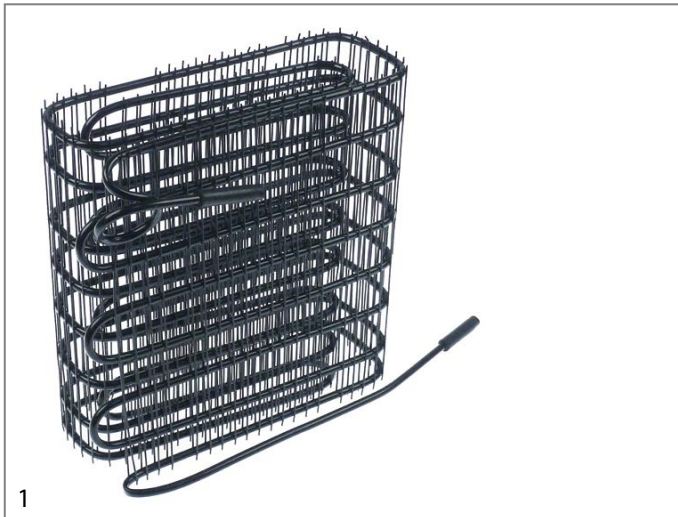
1	Part No.	750649	Ref. No.	1.1.A.A09.08
	description	condenser for vitrine W 330mm D 140mm H 280mm Qty 1 pcs		



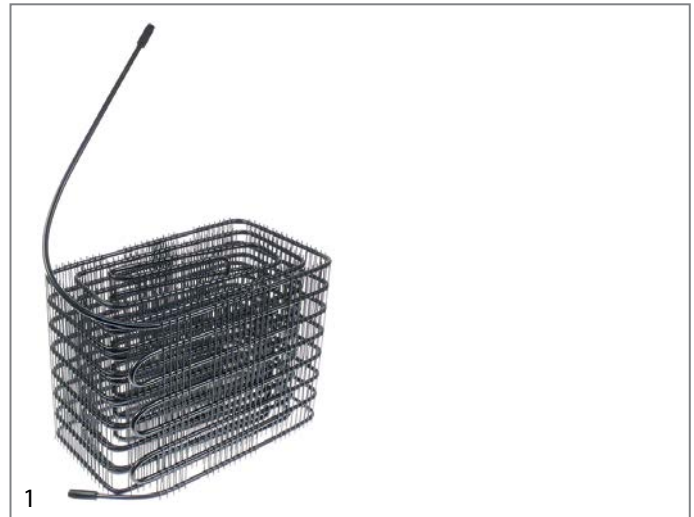
1	Part No.	750346	Ref. No.	HSC350-02
	description	condenser L 1430mm W 520mm		
	For models:	HSC350, HSC350B		



1	Part No.	750373	Ref. No.	DTLA9002 HBC2003-06
	description	condenser W 190mm D 160mm H 205mm Qty 1 pcs		
	For models:	HBC2003, HBC2003G		



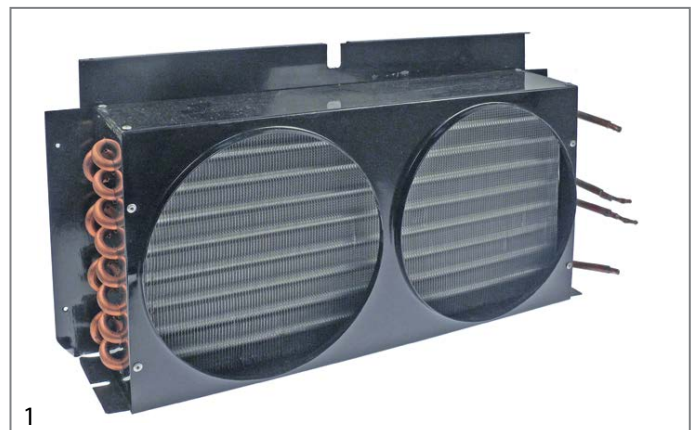
Part No.	750372	Ref. No.	DTLA9000
description	condenser W 195mm D 80mm H 205mm Qty 1 pcs		



Part No.	750659	Ref. No.	HSC800-06
description	condenser W 290mm D 180mm H 215mm Qty 1 pcs		



Part No.	750347	Ref. No.	C04AC28A0001
description	condenser W 220mm D 100mm H 230mm L 270mm		
For models:	HSA2600		



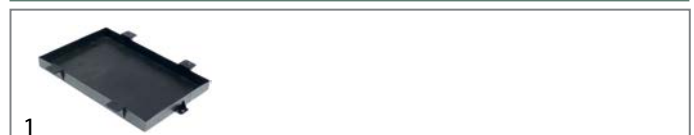
Part No.	750374	Ref. No.	DTLA4008
description	condenser W 555mm D 100mm H 275mm Qty 1 pcs		

evaporation and condensing trays

evaporation trays




Part No.	750385	Ref. No.	HBC1002-06
description	condenser W 255mm D 180mm H 205mm Qty 1 pcs		





Part No.	750696	Ref. No.	P01AA03A0010
description	drip tray L 298mm W 118mm H 22mm		
For models:	RC700, RN700		




Part No.	699302	Ref. No.	GBC1001-12 SLZJ0021
description	evaporation tray L 185mm W 130mm H 75mm		


			
1			
Part No.	699299	Ref. No.	HSC350-09 HSC360-13 SLZJ0014
description	evaporation tray L 210mm W 105mm H 80mm		
For models:	HSC350, HSC350B, HSC350DD, HSC350G, HSC350GB, HSC360, HSC360B, HSC360G, HSC360GB		

			
1			
Part No.	750695	Ref. No.	S21AA43A0006
description	evaporation tray L 312mm W 244mm H 13mm		
For models:	RN700		

			
1			
Part No.	750380	Ref. No.	RC600.06
description	evaporation tray unheated L 205mm W 155mm H 78mm for deep freezer Qty 1 pcs		
For models:	HRE2600		

unheated condensing trays


			
1			
Part No.	750632	Ref. No.	HBC1002-14 HBC2003-14 SLZJ0022
description	drip tray L 187mm W 128mm H 70mm plastic		
For models:	HBC1002, HBC2003, HBC2003G		

			
1			
Part No.	750631	Ref. No.	HSC800-09 SLZJ0015
description	drip tray L 302mm W 204mm H 85mm plastic		
For models:	GSC1100G, HSC800, HSC800G		

transmission technology and ball bearings


ball bearings

deep-groove ball bearings 2RS

			
1			
Part No.	523510	Ref. No.	4.01.6202GBT294166
description	deep-groove ball bearing type 6202-2RS shaft ø 15mm ED ø 35mm W 11mm with sealing discs deep-groove ball bearing DIN 625-1		
For models:	HVC1001		

springs

compression springs


			
1			
Part No.	692920	Ref. No.	4.02.00000049
description	compression spring ø 10mm L 18mm wire gauge ø 1mm windings 5.75 for vegetable slicer		
For models:	HVC1001		

			
1			
Part No.	692701	Ref. No.	1.1.B.B10.06
description	spring L 4mm wire gauge ø 1mm windings 5 D1 ø 9.5mm		

gas tension springs

gas tension springs

			
1			
Part No.	701553	Ref. No.	HVS1000-21 YJS820-21
description	gas tension spring left 80N D1 ø 6mm D2 ø 15mm L 162mm HVS1000		
For models:	HVS1000		

1


Part No.	701554	Ref. No.	HVS1000-46 YJS820-46
description	gas tension spring right 80N D1 ø 6mm D2 ø 15mm L 162mm HVS1000		
For models:	HVS1000		



1

Part No.	504817	Ref. No.	HVS1000-29 YJS820-29
description	T-piece SS hose ø 10-10-10mm		
For models:	HVS1000		

manometers



1

Part No.	542340	Ref. No.	HVS1000-35 YJS820-35
description	manometer ø 41mm pressure range 0-1bar connection 5mm		
For models:	HVS1000		



1

Part No.	504823	Ref. No.	HVS1000-28 YJS820-28
description	cross fitting SS hose ø 10-10-10-10mm L 57mm W 57mm		
For models:	HVS1000		

hoses

formed hoses

miscellaneous




1

Part No.	699420	Ref. No.	1.1.C.C41.13
description	formed hose ID ø 19mm ED ø 24mm L 150mm		
For models:	HCV1100		

hose connectors

producer-specific



1


Part No.	699615	Ref. No.	HVS1000-11 YJS820-11
description	hose connector for hose ID 10mm connection 1/4"mm L-shape		
For models:	HVS1000		

measuring equipment

thermometers

built-in thermometers

battery powered




1

Part No.	381411	Ref. No.	A0812010004
description	thermometer mounting measurements 47x27mm battery comp. rear -50 up to +70°C probe ø6x20mm cable length 1500mm		
For models:	HSC300N, HSC300N-Silver		

fittings, hose and pipe connectors

hose connectors

without screw connection



1

Part No.	699612	Ref. No.	HVS1000-15 YJS820-15
description	T-piece plastic hose ø 5-5-5mm		
For models:	HVS1000		



fastening material

screws

hexagonal screws



1

Part No.	699616	Ref. No.	HVS1000-23 YJS820-23
description	screw thread M10 thread L 26mm WS 17 Qty 2 pcs head thickness 7mm L 60mm		
For models:	HVS1000		

nuts

hexagonal nuts

DIN 934 / ISO 4032/8673



1

Part No.	560197	Ref. No.	HVS1000-20 YJS820-20
description	nut thread M10 H 8mm WS 17 SS DIN/ISO DIN 934 / ISO 4032/8673 Qty 1 pcs		
For models:	HVS1000		



1

Part No.	506166	Ref. No.	HVS1000-16 YJS820-16
description	nut thread M12 H 10mm WS 19 SS DIN/ISO DIN 934 / ISO 4032/8673 Qty 1 pcs		
For models:	HVS1000		

miscellaneous



1

Part No.	551380	Ref. No.	DAD30010
description	cage nut thread M10 Qty 4 pcs		
For models:	HCO500		

washers

washers

miscellaneous



1

Part No.	560593	Ref. No.	HVS1000-22 YJS820-22
description	plain washer ID ø 10.5mm ED ø 15.8mm thickness 1mm SS Qty 4 pcs		
For models:	HVS1000		

fasteners

roll pins



1

Part No.	692923	Ref. No.	4.01.D05035GBT879_512
description	roll pin ø 5mm L 35mm		
For models:	HVC1001		

GASTROPARTS.COM

