



**GASTROPARTS**

# Marels

**[EN]** Equipment

**[DE]** Geräte

**[ES]** Aparatos

**[FR]** Équipement

**[IT]** Attrezzature

**[PL]** Urządzenia

**[RU]** Оборудование

✉ [gastroparts@gastroparts.com](mailto:gastroparts@gastroparts.com)

☎ tel. +48 56 657 00 66

📘 [fb.com/gastroparts.global](https://fb.com/gastroparts.global)

**GASTROPARTS.COM**






## heating elements

### heating elements for fryers

#### 2 hole fixing




<b>Part No.</b>	419031	<b>Ref. No.</b>	965.009.00
<b>description</b>	heating element 3400/3700W 230/240V heating circuits 1 L 405mm W 44mm H 228mm L1 25mm L2 380mm H1 192mm H2 36mm thread M14x1.5 mounting distance 36mm tube $\varnothing$ 8.5mm 2 hole fixing connection M5 immersion heater windings 4 fryer		


### immersion heating elements

#### 3 hole flange $\varnothing$ 38.5mm

##### connection angled




<b>Part No.</b>	420212	<b>Ref. No.</b>	465.008.14	
<b>description</b>	heating element 2000W 230V mounting $\varnothing$ 38.5mm heating circuits 1 L 330mm W 33mm H 16mm hole distance 57mm hole $\varnothing$ 10mm tube $\varnothing$ 6mm connection male faston 6.3mm immersion heater 3 hole flange			
<b>accessories for</b>	420212			
	<b>Part No.</b>	532577	<b>Ref. No.</b>	—
	O-ring EPDM thickness 5.34mm ID $\varnothing$ 40.65mm Qty 1 pcs			




<b>Part No.</b>	419033	<b>Ref. No.</b>	465.009.00	
<b>description</b>	heating element 4500W 230V mounting $\varnothing$ 38.5mm heating circuits 3 L 295mm W 28mm H 35mm L1 30mm L2 265mm H2 30mm hole distance 58mm hole $\varnothing$ 10mm tube $\varnothing$ 6.3mm connection male faston 6.3mm immersion heater 3 hole flange			
<b>spare parts for</b>	419033			
	<b>Part No.</b>	521120	<b>Ref. No.</b>	—
	O-ring EPDM thickness 5.34mm ID $\varnothing$ 37.47mm Qty 1 pcs			

#### 3 hole flange $\varnothing$ 47.5mm



<b>Part No.</b>	419032	<b>Ref. No.</b>	465.010.13	
<b>description</b>	heating element 4500W 230V mounting $\varnothing$ 47.5mm heating circuits 3 L 285mm W 32mm H 40mm number of thermostat sleeves 1 thermostat sleeves $\varnothing$ 7.5mm length thermostat sleeves 233mm thermostat sleeve eccentric, clinging tube $\varnothing$ 6.3mm hole distance 63mm hole $\varnothing$ 8mm connection length 25mm connection M4 3 hole flange immersion heater			
<b>accessories for</b>	419032			
	<b>Part No.</b>	510408	<b>Ref. No.</b>	—
	O-ring EPDM thickness 5.34mm ID $\varnothing$ 47mm Qty 1 pcs			

### heating elements for convection



<b>Part No.</b>	418020	<b>Ref. No.</b>	999.22.042
<b>description</b>	heating element 7800W 230V heating circuits 3 ID $\varnothing$ 264mm ED $\varnothing$ 277mm L 315mm H 100mm L1 35mm W1 101mm H1 29mm H2 67mm flange length 142mm flange width 23mm hole distance 63mm connection M4 connection length 75mm tube $\varnothing$ 6.3mm convection heating element mounting thread M4 rectangular flange		

## thermostats

### control and safety thermostats

#### EGO

#### control thermostats

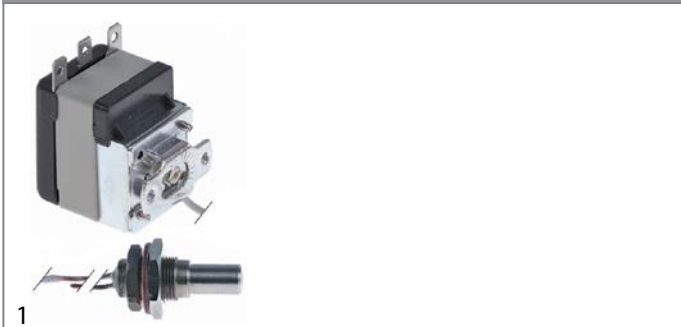
#### 55.10/19\_series





<b>Part No.</b>	375948	<b>Ref. No.</b>	461.016.00 461.016.01
<b>description</b>	thermostat t.max. 90°C temperature range 30-90°C 1-pole 1CO 16A probe $\varnothing$ 6mm probe L 102mm capillary pipe 1000mm capillary pipe isolated 960mm gland nut shaft Lmm shaft position rotation 180°		

**CAEM**

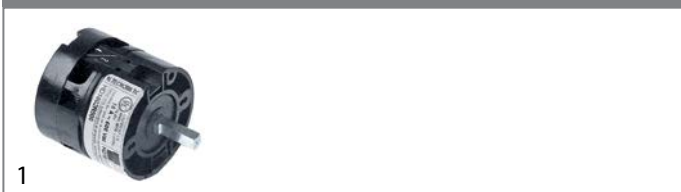
control thermostats




<b>Part No.</b>	390672	<b>Ref. No.</b>	46101500
<b>description</b>	thermostat t.max. 53°C temperature range fixed 53°C 1-pole 1CO 16A probe ø 9.5mm probe L 30mm capillary pipe 600mm capillary pipe isolated 540mm gland nut shaft Lmm screw-in probe probe thread M14x1		
<b>spare parts for</b>	390672		
	<b>Part No.</b>	510417	<b>Ref. No.</b> —
	flat gasket fibre ED ø 20mm ID ø 14mm thickness 2mm Qty 1 pcs		
	<b>Part No.</b>	550261	<b>Ref. No.</b> —
	nut thread M14x1 H 4mm WS 19 SS Qty 1 pcs		

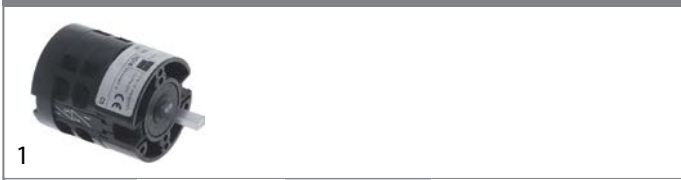
**switches and momentary switches**  
rotary switches

**TECNOMATIC**



<b>Part No.</b>	300331	<b>Ref. No.</b>	461.030.00
<b>description</b>	rotary switch 2 0-1 sets of contacts 2 type HD1602R000 600V 16A shaft ø 4x6mm shaft L 17mm shaft 6x6 connection screw ED ø 43mm L 39mm		
<b>accessories for</b>	300331		
	<b>Part No.</b>	111012	<b>Ref. No.</b> —
	knob switch zero mark t.max.°C°C ø 34/60mm shaft ø 5x5mm shaft flat black H 22mm L 50mm		

miscellaneous



<b>Part No.</b>	300329	<b>Ref. No.</b>	461.045.00
<b>description</b>	rotary switch sets of contacts 4 3 1-0-2 momentary type HD16 600V 16A shaft square connection screw ambient temperature max. 75°C		

**pressure switches**  
for warewashing

ø 58mm with male faston 6.3mm  
with connection horizontal



<b>Part No.</b>	542137	<b>Ref. No.</b>	462.012.00
<b>description</b>	pressure control pressure range 100/65mbar connection male faston 6.3mm ø 58mm pressure connection horizontal warewashing pressure connection ø 6mm		





<b>Part No.</b>	541133	<b>Ref. No.</b>	462.003.00
<b>description</b>	pressure control pressure range 60/25mbar connection male faston 6.3mm ø 58mm pressure connection horizontal warewashing pressure connection ø 6mm		

**pumps**  
wash and rinse pumps






**LGB**



<b>Part No.</b>	500583	<b>Ref. No.</b>	46408200 46408300
<b>description</b>	pump inlet ø 28mm outlet ø 26mm type ZF130SX 230V 50Hz 1 phase 0.2kW 0.27HP L 195mm rotation direction right capacitor 6.3µF LGB		
<b>spare parts for</b>	500583		
	<b>Part No.</b>	509004	<b>Ref. No.</b> 46410600
	impeller ø 71mm H 16mm M7L rotation direction right shaft ø 13mm shaft length 13mm blades 8		
	<b>Part No.</b>	510703	<b>Ref. No.</b> —
	mechanical shaft seal for shaft ø 13mm slide ring H 13mm height counter ring 5.5mm ED ø 26mm		








1

<b>Part No.</b>	500553	<b>Ref. No.</b>	464.013.00
<b>description</b>	pump inlet ø 45mm outlet ø 38mm type ZF290SX 230V 50Hz 1 phase 0.65kW 0.88HP L 200mm rotation direction right capacitor 12.5µF auxiliary pressure connection 13mm supporting pressure open LGB		
<b>spare parts for</b>	500553		
	<b>Part No.</b>	365014	<b>Ref. No.</b> —
	operating capacitor capacity 12.5µF 450V tolerance 5%Hz ambient temperature max. -25 to +85°C ø 35mm L 70mm M8 plastic connection male faston 6.3mm 45S.C3DS.12.5 protection		
	<b>Part No.</b>	510702	<b>Ref. No.</b> —
	mechanical shaft seal height counter ring 5.5mm ID ø 12mm		
	<b>Part No.</b>	521106	<b>Ref. No.</b> 464.021.00
	impellor ø 97mm H 24mm rotation direction right thread M8L seat ø 8.2mm blades 5		
	<b>Part No.</b>	521542	<b>Ref. No.</b> —
	pump cover LGB inlet ø 45mm outlet ø 40mm auxiliary pressure connection 13mm supporting pressure open ø 150mm ID ø 120mm inner high 25mm		
	<b>Part No.</b>	521714	<b>Ref. No.</b> —
	pump cover gasket thickness 4x4mm Qty 1 pcs		



1

<b>Part No.</b>	500512	<b>Ref. No.</b>	464.015.00
<b>description</b>	pump inlet ø 45mm outlet ø 40mm type ZF340VSX 230V 50Hz 1 phase 0.75kW 1HP L 245mm rotation direction right capacitor 16µF LGB		
<b>spare parts for</b>	500512		
	<b>Part No.</b>	365021	<b>Ref. No.</b> —
	operating capacitor capacity 16µF 425V tolerance 5% 50/60Hz ambient temperature max. -25 to +85°C ø 35mm L 73mm single M8 plastic connection male faston 6.3mm 416.10.99 protection		
	<b>Part No.</b>	510702	<b>Ref. No.</b> —
	mechanical shaft seal height counter ring 5.5mm ID ø 12mm		
	<b>Part No.</b>	521246	<b>Ref. No.</b> 464.022.00 464.031.00
	impellor ø 103mm H 26mm thread M8L shaft ø 20mm shaft length 7mm seat ø 8.2mm blades 6		
	<b>Part No.</b>	521542	<b>Ref. No.</b> —
	pump cover LGB inlet ø 45mm outlet ø 40mm auxiliary pressure connection 13mm supporting pressure open ø 150mm ID ø 120mm inner high 25mm		
	<b>Part No.</b>	521714	<b>Ref. No.</b> —
	pump cover gasket thickness 4x4mm Qty 1 pcs		

## equipment-specific units

### for pasta cookers



1

<b>Part No.</b>	697881	<b>Ref. No.</b>	611.266.00
<b>description</b>	drain filter for pasta cooker ø 40mm stainless steel		



## for dishwashers

## hood mechanics for dishwashers

## bolts



1

<b>Part No.</b>	510793	<b>Ref. No.</b>	441.079.00
<b>description</b>	screw bolt ED ø 10mm L 33mm thread M6		

## springs

1

<b>Part No.</b>	519403	<b>Ref. No.</b>	260.014.00
<b>description</b>	spring hood mechanics L 475mm ø 20mm		

## linkage



1

<b>Part No.</b>	510708	<b>Ref. No.</b>	412.130.00
<b>description</b>	linkage L 270mm for dishwasher hood mechanics		

1

<b>Part No.</b>	510689	<b>Ref. No.</b>	412.078.00
<b>description</b>	linkage L 530mm for dishwasher hood mechanics		

## friction rings



1

<b>Part No.</b>	510796	<b>Ref. No.</b>	451.024.00
<b>description</b>	slide ring for dishwasher ED ø 19mm ID ø 12mm thickness 1.5mm		

## rollers



1

<b>Part No.</b>	510795	<b>Ref. No.</b>	451.079.00
<b>description</b>	roller ø 36mm H 19mm for hood mechanics plastic grey hole ø 10mm		

## air traps

## air traps



1

<b>Part No.</b>	510111	<b>Ref. No.</b>	451.036.00
<b>description</b>	air trap ø 34mm H 130mm hose ø 6mm plastic		

spare parts for 510111



<b>Part No.</b>	504618	<b>Ref. No.</b>	—
<b>description</b>	O-ring EPDM thickness 2.62mm ID ø 15.54mm Qty 1 pcs		



<b>Part No.</b>	510075	<b>Ref. No.</b>	—
<b>description</b>	flat gasket rubber ED ø 22mm ID ø 13mm thickness 1.5mm Qty 1 pcs		



<b>Part No.</b>	510106	<b>Ref. No.</b>	—
<b>description</b>	hose connector for air trap		



1

<b>Part No.</b>	510653	<b>Ref. No.</b>	451.036.00
<b>description</b>	air trap ø 34mm H 95mm hose ø 6mm plastic		

## door mechanics


## springs

## tension springs


1

<b>Part No.</b>	519404	<b>Ref. No.</b>	260.018.00
<b>description</b>	spring L 255mm ø 19mm		




1 

<b>Part No.</b>	519394	<b>Ref. No.</b>	260.017.00
<b>description</b>	tension spring ø 19mm L1 230mm		

1 


<b>Part No.</b>	519400	<b>Ref. No.</b>	260.012.00
<b>description</b>	tension spring ø 19mm L1 300mm		

**linkage**

1 

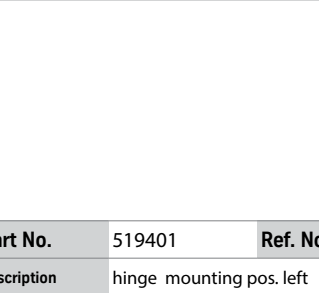
<b>Part No.</b>	518591	<b>Ref. No.</b>	412.094.00
<b>description</b>	tie bar L 215mm ø 5mm		

**sliding plates**

1 


<b>Part No.</b>	518590	<b>Ref. No.</b>	451.091.00
<b>description</b>	sliding plate		

**hinges**

1 


<b>Part No.</b>	519401	<b>Ref. No.</b>	412.038.00
<b>description</b>	hinge mounting pos. left		

**screw connections**

1 

<b>Part No.</b>	511919	<b>Ref. No.</b>	451.022.01
<b>description</b>	quick-fit retaining nut		


**washing and rinsing systems**

1 


<b>Part No.</b>	524654	<b>Ref. No.</b>	441.041.00
<b>description</b>	rinse arm shaft mounting pos. upper ø 16mm H 61mm thread M12x1		

1 


<b>Part No.</b>	510794	<b>Ref. No.</b>	441.040.00
<b>description</b>	rinse jet H 11.6mm thread M6 WS 8		

1 

<b>Part No.</b>	510796	<b>Ref. No.</b>	451.024.00
<b>description</b>	slide ring for dishwasher ED ø 19mm ID ø 12mm thickness 1.5mm		

1 

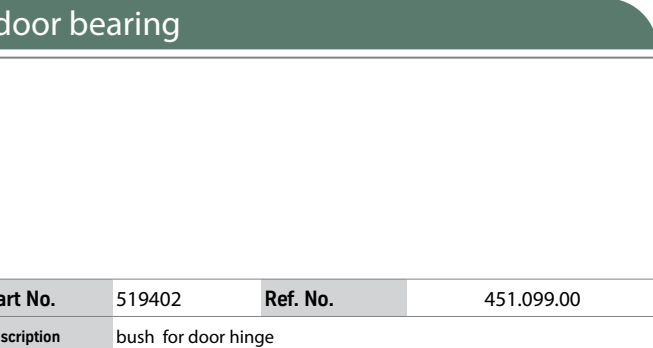
<b>Part No.</b>	524653	<b>Ref. No.</b>	411.049.00
<b>description</b>	throttle disc ED ø 90mm ID ø 16mm		

1 

<b>Part No.</b>	510797	<b>Ref. No.</b>	412.173.00
<b>description</b>	wash pipe suitable for MARELS, MODULAR		

**hinges**

**door bearing**

1 

<b>Part No.</b>	519402	<b>Ref. No.</b>	451.099.00
<b>description</b>	bush for door hinge		






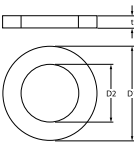
miscellaneous

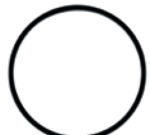
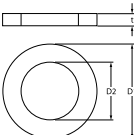
1			
<b>Part No.</b>	519395	<b>Ref. No.</b>	412.037.00
<b>description</b>	door hinge mounting pos. right		

gaskets

O-rings


EPDM


1			
			
<b>Part No.</b>	510769	<b>Ref. No.</b>	0835.25303.1
<b>description</b>	O-ring EPDM thickness 2.62mm ID ø 25.07mm Qty 1 pcs		

1			
			
<b>Part No.</b>	510009	<b>Ref. No.</b>	0835.35101.1
<b>description</b>	O-ring EPDM thickness 3.53mm ID ø 101.2mm Qty 1 pcs		


sealing washers

fibre gaskets

1			
			
<b>Part No.</b>	529349	<b>Ref. No.</b>	45300100
<b>description</b>	flat gasket FIBER ED ø 22mm ID ø 16.5mm thickness 2mm for thread 3/8" Qty 1 pcs		

1			
			
<b>Part No.</b>	510730	<b>Ref. No.</b>	0840.25122.0
<b>description</b>	flat gasket fibre ED ø 25mm ID ø 12mm thickness 2mm Qty 1 pcs		


rubber gaskets

1			
			
<b>Part No.</b>	510876	<b>Ref. No.</b>	N/A
<b>description</b>	flat gasket rubber ED ø 45mm ID ø 33mm thickness 3mm Qty 1 pcs		


springs


roller springs

roller springs

1			
			
<b>Part No.</b>	511552	<b>Ref. No.</b>	N/A
<b>description</b>	roller spring complete incl. holder W 40mm ID ømm lug length 70mm		

tension springs


1			
			
<b>Part No.</b>	519394	<b>Ref. No.</b>	260.017.00
<b>description</b>	tension spring ø 19mm L1 230mm		

1			
			
<b>Part No.</b>	519400	<b>Ref. No.</b>	260.012.00
<b>description</b>	tension spring ø 19mm L1 300mm		

fittings, hose and pipe connectors

hose connectors

producer-specific

1			
			
<b>Part No.</b>	691661	<b>Ref. No.</b>	412032015 451098000
<b>description</b>	angle piece thread M12x1 for hose ID 12mm		




## fastening material


nuts

hexagonal nuts

hexagonal nuts metric (without norm)

			
1			
<b>Part No.</b>	510792	<b>Ref. No.</b>	441.045.00
<b>description</b>	hexagonal nut thread M12x1 H 4mm WS 17 stainless steel Qty 1 pcs		

hexagonal nuts inch thread

			
1			
<b>Part No.</b>	506024	<b>Ref. No.</b>	44102000
<b>description</b>	nut thread 3/8" H 6mm SS WS 22 Qty 1 pcs		



**GASTRO**PARTS.COM

