



**GASTROPARTS**

# Lasa

**[EN]** Equipment

**[DE]** Geräte

**[ES]** Aparatos

**[FR]** Équipement

**[IT]** Attrezzature

**[PL]** Urządzenia

**[RU]** Оборудование

✉ [gastroparts@gastroparts.com](mailto:gastroparts@gastroparts.com)

☎ +48 56 657 00 66

📘 [fb.com/gastroparts.global](https://fb.com/gastroparts.global)


**GASTROPARTS.COM**










## heating elements

### heating elements for pasta cookers



 <p>1</p>			
<b>Part No.</b>	415020	<b>Ref. No.</b>	3205500+2188400
<b>description</b>	heating element 4500W 230V mounting $\varnothing$ 57.5mm heating circuits 3 L 355mm W 35mm H 47mm number of thermostat sleeves 1 thermostat sleeves $\varnothing$ 7mm length thermostat sleeves 295mm thermostat sleeve upper tube $\varnothing$ 8.5mm hole distance 70mm hole $\varnothing$ 10mm connection length 25mm connection male faston 6.3mm 3 hole flange immersion heater		


### heating elements for salamanders/toast-


 <p>1</p>			
<b>Part No.</b>	415938	<b>Ref. No.</b>	320803 3208030
<b>description</b>	heating element 1800W 230V heating circuits 1 L 330mm W 82mm H 25mm thread M10x1 mounting distance 72mm tube $\varnothing$ 6.3mm 2 hole fixing connection length 20mm immersion heater		
<b>accessories for</b>	415938		
	<b>Part No.</b>	510416	<b>Ref. No.</b> —
	flat gasket fibre ED $\varnothing$ 19mm ID $\varnothing$ 10.5mm thickness 1.5mm for thread M10 Qty 1 pcs		
	<b>Part No.</b>	510893	<b>Ref. No.</b> —
	O-ring EPDM thickness 2.62mm ID $\varnothing$ 9.92mm Qty 1 pcs		
	<b>Part No.</b>	520231	<b>Ref. No.</b> —
	nut thread M10x1 H 6mm WS 14 zinc-coated steel Qty 1 pcs		
	<b>Part No.</b>	521129	<b>Ref. No.</b> —
	nut thread M10 H 6mm SS WS 17 Qty 1 pcs DIN/ISO DIN 439		

### immersion heating elements


#### 3 hole flange $\varnothing$ 47.5mm


 <p>1</p>			
<b>Part No.</b>	416205	<b>Ref. No.</b>	3202500 4194
<b>description</b>	heating element 3000W 230V heating circuits 1 L 260mm W 29mm H 35mm number of thermostat sleeves 1 thermostat sleeves $\varnothing$ 10mm length thermostat sleeves 214mm tube $\varnothing$ 6.2mm hole distance 65mm hole $\varnothing$ 8mm connection M4 immersion heater		
<b>spare parts for</b>	416205		
	<b>Part No.</b>	510408	<b>Ref. No.</b>
	O-ring EPDM thickness 5.34mm ID $\varnothing$ 47mm Qty 1 pcs		


<b>accessories for</b>	416205		
	<b>Part No.</b>	510562	<b>Ref. No.</b> —
	O-ring silicone thickness 5.34mm ID $\varnothing$ 47mm Qty 1 pcs		

 <p>1</p>			
<b>Part No.</b>	415935	<b>Ref. No.</b>	103705400 320801 3208010
<b>description</b>	heating element 4500W 230V mounting $\varnothing$ 47.5mm heating circuits 3 L 320mm W 34mm H 30mm number of thermostat sleeves 1 thermostat sleeves $\varnothing$ 7mm length thermostat sleeves 300mm thermostat sleeve eccentric, clinging tube $\varnothing$ 6.3mm hole distance 63mm hole $\varnothing$ 10mm connection male faston 6.3mm 3 hole flange immersion heater		

<b>Part No.</b>	415935	<b>Ref. No.</b>	103705400 320801 3208010
<b>description</b>	heating element 4500W 230V mounting $\varnothing$ 47.5mm heating circuits 3 L 320mm W 34mm H 30mm number of thermostat sleeves 1 thermostat sleeves $\varnothing$ 7mm length thermostat sleeves 300mm thermostat sleeve eccentric, clinging tube $\varnothing$ 6.3mm hole distance 63mm hole $\varnothing$ 10mm connection male faston 6.3mm 3 hole flange immersion heater		


<b>spare parts for</b>	415935		
	<b>Part No.</b>	510408	<b>Ref. No.</b>
	O-ring EPDM thickness 5.34mm ID $\varnothing$ 47mm Qty 1 pcs		

<b>accessories for</b>	415935		
	<b>Part No.</b>	510562	<b>Ref. No.</b> —
	O-ring silicone thickness 5.34mm ID $\varnothing$ 47mm Qty 1 pcs		


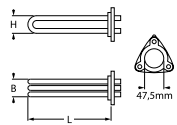


 <p>1</p>			
<b>Part No.</b>	418686	<b>Ref. No.</b>	3201500 3206000 320808 3208080 4306
<b>description</b>	heating element 6000W 230V mounting $\varnothing$ 47.5mm heating circuits 3 L 350mm W 35mm H 40mm number of thermostat sleeves 1 thermostat sleeves $\varnothing$ 7mm length thermostat sleeves 220mm thermostat sleeve clinging tube $\varnothing$ 6.3mm hole distance 63mm hole $\varnothing$ 8mm connection length 7mm connection M4 3 hole flange immersion heater		


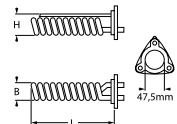






<b>Part No.</b>	418686	<b>Ref. No.</b>	3201500 3206000 320808 3208080 4306
<b>description</b>	heating element 6000W 230V mounting $\varnothing$ 47.5mm heating circuits 3 L 350mm W 35mm H 40mm number of thermostat sleeves 1 thermostat sleeves $\varnothing$ 7mm length thermostat sleeves 220mm thermostat sleeve clinging tube $\varnothing$ 6.3mm hole distance 63mm hole $\varnothing$ 8mm connection length 7mm connection M4 3 hole flange immersion heater		




<b>accessories for</b>	418686		
	<b>Part No.</b>	510408	<b>Ref. No.</b>
	O-ring EPDM thickness 5.34mm ID $\varnothing$ 47mm Qty 1 pcs		


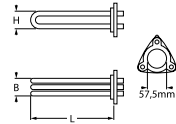
	<b>Part No.</b>	510562	<b>Ref. No.</b> —
	O-ring silicone thickness 5.34mm ID $\varnothing$ 47mm Qty 1 pcs		


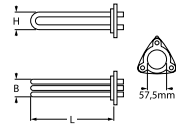


 			
<b>Part No.</b>	418687	<b>Ref. No.</b>	320816 3208160
<b>description</b>	heating element 8800W 230V mounting $\varnothing$ 47.5mm heating circuits 3 L 550mm W 35mm H 40mm number of thermostat sleeves 1 thermostat sleeves $\varnothing$ 7mm length thermostat sleeves 235mm thermostat sleeve clinging tube $\varnothing$ 6.3mm hole distance 63mm hole $\varnothing$ 8mm connection length 7mm connection M4 3 hole flange immersion heater		
<b>accessories for</b>	418687		
	<b>Part No.</b>	510408	<b>Ref. No.</b> 218800 2188000 218840 2188400
	O-ring EPDM thickness 5.34mm ID $\varnothing$ 47mm Qty 1 pcs		
	<b>Part No.</b>	510562	<b>Ref. No.</b> —
	O-ring silicone thickness 5.34mm ID $\varnothing$ 47mm Qty 1 pcs		

 			
<b>Part No.</b>	417165	<b>Ref. No.</b>	320700 3207000
<b>description</b>	heating element 2470/2940W 220/240V mounting $\varnothing$ 47.5mm heating circuits 1 L 196mm W 35mm H 45mm number of thermostat sleeves 1 thermostat sleeves $\varnothing$ 9mm length thermostat sleeves 170mm thermostat sleeve upper tube $\varnothing$ 6.4mm hole distance 63mm connection length 23mm connection M4 immersion heater		
<b>accessories for</b>	417165		
	<b>Part No.</b>	510408	<b>Ref. No.</b> 218800 2188000 218840 2188400
	O-ring EPDM thickness 5.34mm ID $\varnothing$ 47mm Qty 1 pcs		
	<b>Part No.</b>	510562	<b>Ref. No.</b> —
	O-ring silicone thickness 5.34mm ID $\varnothing$ 47mm Qty 1 pcs		
	<b>Part No.</b>	521103	<b>Ref. No.</b> —
	nut thread M4 H 3mm WS 7 brass Qty 20 pcs		
	<b>Part No.</b>	521104	<b>Ref. No.</b> —
	washer ID $\varnothing$ 4.3mm ED $\varnothing$ 8mm thickness 0.5mm brass Qty 20 pcs for thread M4		
	<b>Part No.</b>	560111	<b>Ref. No.</b> —
	plain washer ID $\varnothing$ 4.3mm ED $\varnothing$ 9mm thickness 0.8mm SS Qty 20 pcs DIN 125A for thread M4		
	<b>Part No.</b>	560131	<b>Ref. No.</b> —
	hexagonal nut thread M4 H 3.2mm WS 7 SS DIN/ISO DIN 934 / ISO 4032/8673 Qty 20 pcs		

group 8			
			
<b>Part No.</b>	418636	<b>Ref. No.</b>	320809 3208090
<b>description</b>	heating element 4500W 230V mounting $\varnothing$ 47.5mm heating circuits 3 L 290mm W 28mm H 45mm H1 25mm H2 20mm tube $\varnothing$ 6mm hole distance 62mm hole $\varnothing$ 8x10mm 3 hole flange immersion heater		
<b>spare parts for</b>	418636		
	<b>Part No.</b>	510408	<b>Ref. No.</b> 218800 2188000 218840 2188400
	O-ring EPDM thickness 5.34mm ID $\varnothing$ 47mm Qty 1 pcs		
	<b>Part No.</b>	521030	<b>Ref. No.</b> —
	O-ring Viton thickness 5.34mm ID $\varnothing$ 47mm Qty 1 pcs		

3 hole flange $\varnothing$ 57.5mm			
 			
<b>Part No.</b>	415934	<b>Ref. No.</b>	320804 3208040
<b>description</b>	heating element 3500W 230V mounting $\varnothing$ 57.5mm heating circuits 3 L 192mm W 38mm H 50mm number of thermostat sleeves 1 thermostat sleeves $\varnothing$ 7.5mm length thermostat sleeves 180mm thermostat sleeve eccentric, clinging tube $\varnothing$ 8.5mm hole distance 72mm hole $\varnothing$ 8mm connection male faston 6.3mm 3 hole flange immersion heater		

 			
<b>Part No.</b>	415020	<b>Ref. No.</b>	3205500+2188400
<b>description</b>	heating element 4500W 230V mounting $\varnothing$ 57.5mm heating circuits 3 L 355mm W 35mm H 47mm number of thermostat sleeves 1 thermostat sleeves $\varnothing$ 7mm length thermostat sleeves 295mm thermostat sleeve upper tube $\varnothing$ 8.5mm hole distance 70mm hole $\varnothing$ 10mm connection length 25mm connection male faston 6.3mm 3 hole flange immersion heater		



1

<b>Part No.</b>	415021	<b>Ref. No.</b>	320802 3208020
<b>description</b>	heating element 6000W 230V mounting $\varnothing$ 57.5mm heating circuits 3 L 343mm W 37mm H 50mm number of thermostat sleeves 1 thermostat sleeves $\varnothing$ 7mm length thermostat sleeves 294mm thermostat sleeve not clinging tube $\varnothing$ 8.5mm hole distance 72mm hole $\varnothing$ 8mm connection M5 3 hole flange		
<b>spare parts for</b>	415021		
	<b>Part No.</b>	510409	<b>Ref. No.</b> 218845 2188450
<b>accessories for</b>	415021		
	<b>Part No.</b>	550002	<b>Ref. No.</b> —
	tension strap H 10mm L 21mm W 10mm hole $\varnothing$ 6.5mm for heating element		

1

<b>Part No.</b>	415937	<b>Ref. No.</b>	320805 3208050
<b>description</b>	heating element 9000W 230V mounting $\varnothing$ 57.5mm heating circuits 3 L 340mm W 37mm H 52mm number of thermostat sleeves 1 thermostat sleeves $\varnothing$ 7mm length thermostat sleeves 300mm thermostat sleeve clinging tube $\varnothing$ 8.5mm hole distance 72mm hole $\varnothing$ 8mm connection M5 3 hole flange immersion heater		
<b>spare parts for</b>	415937		
	<b>Part No.</b>	510409	<b>Ref. No.</b> 218845 2188450
	O-ring EPDM thickness 5.34mm ID $\varnothing$ 56.52mm Qty 1 pcs		

with compression flange 62 x 26mm

1

<b>Part No.</b>	415266	<b>Ref. No.</b>	10714
<b>description</b>	heating element 2000W 230V heating circuits 1 compression flange flange 62x26mm L 300mm W 41mm Hmm connection male faston 6.3mm tube $\varnothing$ 6.3mm immersion heater		

accessories

sealing washers

O-rings

1

<b>Part No.</b>	510408	<b>Ref. No.</b>	218800 2188000 218840 2188400
<b>description</b>	O-ring EPDM thickness 5.34mm ID $\varnothing$ 47mm Qty 1 pcs		

1

<b>Part No.</b>	510409	<b>Ref. No.</b>	218845 2188450
<b>description</b>	O-ring EPDM thickness 5.34mm ID $\varnothing$ 56.52mm Qty 1 pcs		

thermostats

bi-metal thermostats

1

<b>Part No.</b>	390232	<b>Ref. No.</b>	326722 3267220
<b>description</b>	bi-metal thermostat switch-off temp. 55°C 1-pole		

1 electric components



## control and safety thermostats

EGO

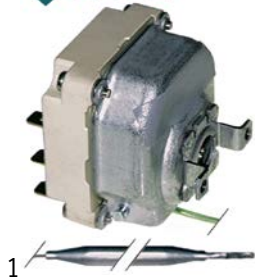
control thermostats

55.10/19\_ series



<b>Part No.</b>	375211	<b>Ref. No.</b>	326732 3267320
<b>description</b>	thermostat t.max. 85°C temperature range 30-85°C 1-pole 1CO 16A probe ø 6mm probe L 130mm capillary pipe 900mm capillary pipe isolated 900mm gland nut shaft L 23mm shaft position upper rotation 270° probe material SS		

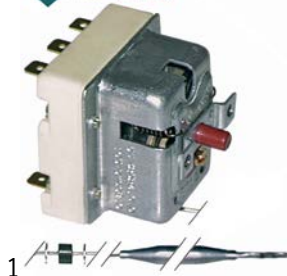
55.34\_ series



<b>Part No.</b>	375210	<b>Ref. No.</b>	326724 3267240
<b>description</b>	thermostat t.max. 90°C temperature range 38-90°C 3-pole 3CO 16A probe ø 6mm probe L 215mm capillary pipe 900mm capillary pipe isolated 900mm gland nut shaft Lmm rotation 270°		

safety thermostats

55.32\_ series





<b>Part No.</b>	375209	<b>Ref. No.</b>	326726 3267260
<b>description</b>	safety thermostat switch-off temp. 140°C 3-pole 20A probe ø 6mm probe L 89mm capillary pipe 900mm capillary pipe isolated 900mm gland nut probe SS		

IMIT / TEMPOMATIC / ARATHERMO

control thermostats



<b>Part No.</b>	390006	<b>Ref. No.</b>	326400 3264000	
<b>description</b>	thermostat t.max. 86°C temperature range 0-86°C 1-pole 1CO 16A probe ø 6.5mm probe L 95mm capillary pipe 1500mm capillary pipe isolated gland nut shaft ø 6x4.6mm shaft L 19mm rotation 270°			
<b>accessories for</b>	390006			
	<b>Part No.</b>	110100	<b>Ref. No.</b>	—
	knob thermostat t.max. 90°C 0-90°C ø 42mm shaft ø 6x4.6mm shaft flat -135° black			
	<b>Part No.</b>	110105	<b>Ref. No.</b>	—
	rosette knob ø 42mm ø 56mm zero mark			

safety thermostats



<b>Part No.</b>	390601	<b>Ref. No.</b>	326710 3267100
<b>description</b>	safety thermostat switch-off temp. 120°C 1-pole 16A probe ø 6.5mm probe L 93mm capillary pipe 1500mm capillary pipe isolated 1440mm gland nut probe		

## accessories



gland nut accessories


locking screws




<b>Part No.</b>	550913	<b>Ref. No.</b>	241729 2417290
<b>description</b>	union screw thread M12x1 probe ø max. 6mm WS 12 brass		






plunger sockets			
 <p>1</p>			
<b>Part No.</b>	541519	<b>Ref. No.</b>	241738 2417380
<b>description</b>	thermowell IT M10x1 ET M14x1.5 L 33mm brass single ø 10.5mm		
<b>accessories for</b>	541519		
	<b>Part No.</b>	521101	<b>Ref. No.</b> —
nut thread M14x1.5 H 5mm WS 19 SS Qty 1 pcs			



microswitches			
lever actuated			
 <p>1</p>			
<b>Part No.</b>	345254	<b>Ref. No.</b>	312103 3121030
<b>description</b>	microswitch with lever 250V 16A 1CO connection male faston 6.3mm ambient temperature max. 120°C mounting distance 22mm actuating force: 60g lever length 58mm		


## switches and momentary switches


rocker/momentary rocker switches			
30x22mm			
 <p>1</p>			
<b>Part No.</b>	347704	<b>Ref. No.</b>	316720 3167200
<b>description</b>	momentary rocker switch mounting measurements 30x22mm red 2CO 250V 16A illuminated connection male faston 6.3mm ambient temperature max. 100/55°C protection IP40		

pin-plunger actuated			
M10			
 <p>1</p>			
<b>Part No.</b>	345032	<b>Ref. No.</b>	3121000 3276
<b>description</b>	microswitch with plunger thread M10x1 thread L 12mm 250V 16A 1CO connection male faston 6.3mm stroke 7mm mounting distance 22mm L 28mm ambient temperature max. 125°C type SP9603 actuating force: 180g		

 <p>1</p>			
<b>Part No.</b>	346978	<b>Ref. No.</b>	316560 3165600
<b>description</b>	momentary rocker switch mounting measurements 30x22mm black 2CO 250V 16A connection male faston 6.3mm ambient temperature max. 125/55°C protection IP40		
<b>accessories for</b>	346978		
	<b>Part No.</b>	301036	<b>Ref. No.</b> —
protective cover internal size 30x22mm for rocker switch mounting measurementsmm			

M12			
 <p>1</p>			
<b>Part No.</b>	345350	<b>Ref. No.</b>	3121010
<b>description</b>	microswitch with plunger mounting distance 22mm thread M12x0.75 thread L 16mm 250V 16A 1CO connection male faston 6.3mm stroke 4mm ambient temperature max. 125°C type EF83161.3 actuating force: 66g		
<b>accessories for</b>	345350		
	<b>Part No.</b>	345351	<b>Ref. No.</b> —
nut thread M12x0.75 H 1.6mm WS 14 chrome-plated brass Qty 1 pcs			

push/momentary push switches			
ø25mm			
 <p>1</p>			
<b>Part No.</b>	346936	<b>Ref. No.</b>	316824 3168240
<b>description</b>	momentary push switch mounting ø 25mm green 1NO/indicator light 250V 16A connection male faston 6.3mm ambient temperature max. 85°C protection IP40		

position switches			
SIEMENS			
3SE2 series			
position switches (complete)			
 <p>1</p>			
<b>Part No.</b>	346935	<b>Ref. No.</b>	316820 3168200
<b>description</b>	microswitch 1NO/1NC		



## cam switches

3 operating positions



1

<b>Part No.</b>	300086	<b>Ref. No.</b>	316812 3168120
<b>description</b>	cam switch 3 operating positions programme sequence 1-0-2 shaft $\varnothing$ 6x4.6mm connection male faston 10-pole		

## rotary switches

TECNOMATIC



1

<b>Part No.</b>	346034	<b>Ref. No.</b>	316810 3168100
<b>description</b>	rotary switch 2 0-1 sets of contacts 4 type HD12X275R000 600V 12A shaft $\varnothing$ 6x4.6mm shaft L 40mm shaft round connection male faston 6.3mm		



1

<b>Part No.</b>	300366	<b>Ref. No.</b>	316818 3168180
<b>description</b>	rotary switch 3 0-1-2 sets of contacts 3 type HD12X312AR000 600V 12A shaft $\varnothing$ 5x5mm shaft L 23mm shaft square connection male faston 6.3mm		

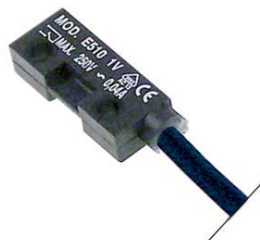


1

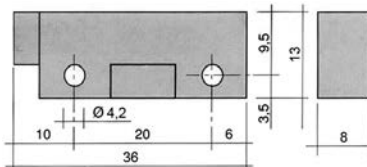
<b>Part No.</b>	300365	<b>Ref. No.</b>	316819 3168190
<b>description</b>	rotary switch 4 0-1-2-3 sets of contacts 4 type HD12X274R000 600V 12A shaft $\varnothing$ 5x5mm shaft L 22mm shaft square connection male faston 6.3mm		

## magnetic switches

36x13mm



1



<b>Part No.</b>	345792 <sup>1</sup>	<b>Ref. No.</b>	312104 3121040 312106 3121060
<b>description</b>	magnetic switch L 36mm W 13mm 1NO 250V 0.04A P max. 10W connection cable cable length 2500mm mounting distance 20mm		

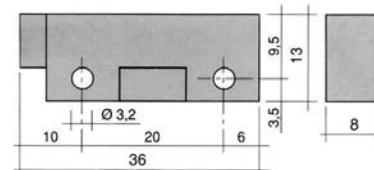
<sup>1</sup>with coded connector

## accessories

magnets



1



<b>Part No.</b>	345398	<b>Ref. No.</b>	312105 3121050
<b>description</b>	magnet $\varnothing$ mm L 36mm H 8mm W 13mm hole distance 20mm M3 hole $\varnothing$ 3mm		

## lamps

indicator lights


indicator light lenses

 $\varnothing$ 12mm (type SDY-3)

1


<b>Part No.</b>	359262	<b>Ref. No.</b>	310906 3109060
<b>description</b>	indicator light housings mounting measurements $\varnothing$ 12mm green round Qty 1 pcs		






indicator lamps for socket type SRZ / SDK / SDY / SFK			
 <p>1</p>			
<b>Part No.</b>	359132	<b>Ref. No.</b>	3109030 310905 3109050
<b>description</b>	indicator lamp green 250V connection male faston 6.3mm protection IP54 ambient temperature max. 85°C		


## timers


### programme timers



 <p>1</p>			
<b>Part No.</b>	360397	<b>Ref. No.</b>	340609 3406090 (old version)
<b>description</b>	timer BIGATTI engines 2 chambers 5 operation time 60s up to 3min 230V manuf. no. LA007 / 3406090 motor type UDS40NE1RK		


 <p>1</p>			
<b>Part No.</b>	360687	<b>Ref. No.</b>	3406090
<b>description</b>	timer CDC 4905DV engines 2 chambers 5 operation time 60s up to 3min 230V		

 <p>1</p>			
<b>Part No.</b>	360040	<b>Ref. No.</b>	3324 340200 3402000 4188
<b>description</b>	timer CDC 9003F engines 1 chambers 3 operation time 6min 230V shaft ø 6x4.6mm shaft L 21mm manuf. no. 9003F3 / PRCIH5 motor type M48R ATS		
<b>For models:</b>	LB925H, LS3-A		
<b>spare parts for</b>	360040		
	<b>Part No.</b>	360118	<b>Ref. No.</b> —
	motor CDC pinion ø 4.9mm teeth 10 230V voltage AC 50/60Hz turn direction right motor ø 47mm H 19.3mm motor type M48R ATS for timer cable length 260mm 1.9/2.5W		

<b>accessories for</b>	360040		
	<b>Part No.</b>	110197	<b>Ref. No.</b> —
	knob switch zero mark ø 42mm shaft ø 6x4.6mm shaft flat adjustable black		

 <p>1</p>			
<b>Part No.</b>	360395	<b>Ref. No.</b>	3406031
<b>description</b>	timer FIBER P25 engines 1 chambers 4 operation time 180s 230V shaft ø 6x4.6mm shaft L 40mm manuf. no. P255J04H5J6 motor type M51BJOR6400 for devices with mechanical dosing pump edition since year of construction 2000		



 <p>1</p>			
<b>Part No.</b>	360120	<b>Ref. No.</b>	3406030
<b>description</b>	timer FIBER P25 engines 1 chambers 5 operation time 180s 230V shaft ø 6x4.6mm shaft L 40mm manuf. no. P255J05H542 motor type M51BJOR6400 for devices with electric dosing pump edition until year of construction 2000		
<b>spare parts for</b>	360120		
	<b>Part No.</b>	360673	<b>Ref. No.</b> —
	motor kit pinion ø 6.8mm teeth 15 230V voltage AC 50/60Hz turn direction clockwise motor ø 48mm H 18.5mm motor type UDS-40NE1RNZ165 cable length 150mm with holder		

 <p>1</p>			
<b>Part No.</b>	360398	<b>Ref. No.</b>	3406051
<b>description</b>	timer FIBER P25 engines 2 chambers 7 operation time 12s / 2min 230V shaft ømm shaft Lmm manuf. no. P255J07JGJ7 motor type M51BJOR6400 / M51BJOL6400		







1

<b>Part No.</b>	360122	<b>Ref. No.</b>	340605 3406050
<b>description</b>	timer FIBER P25 engines 2 chambers 8 operation time 12s / 2min 230V shaft ømm shaft Lmm manuf. no. P255J08JG75 motor type M51BJ0R6400 / M51BJ0L6400		
<b>spare parts for</b>	360122		
	<b>Part No.</b>	360673	<b>Ref. No.</b> —
	motor kit pinion ø 6.8mm teeth 15 230V voltage AC 50/60Hz turn direction clockwise motor ø 48mm H 18.5mm motor type UDS-40NE1RNZ165 cable length 150mm with holder		
	<b>Part No.</b>	360674	<b>Ref. No.</b> —
	motor kit pinion ø 6.8mm teeth 15 230V voltage AC 50/60Hz turn direction counterclockwise motor ø 48mm H 18.5mm motor type UDS40NE1RNZ165 cable length 150mm with holder		



1

<b>Part No.</b>	360121	<b>Ref. No.</b>	340604 3406040
<b>description</b>	timer FIBER P25 engines 2 chambers 8 operation time 40s / 120s 230V shaft ømm shaft Lmm manuf. no. P255J08JH76 motor type M51BJ0R6400 / M51BJ0L6400		
<b>spare parts for</b>	360121		
	<b>Part No.</b>	360673	<b>Ref. No.</b> —
	motor kit pinion ø 6.8mm teeth 15 230V voltage AC 50/60Hz turn direction clockwise motor ø 48mm H 18.5mm motor type UDS-40NE1RNZ165 cable length 150mm with holder		
	<b>Part No.</b>	360674	<b>Ref. No.</b> —
	motor kit pinion ø 6.8mm teeth 15 230V voltage AC 50/60Hz turn direction counterclockwise motor ø 48mm H 18.5mm motor type UDS40NE1RNZ165 cable length 150mm with holder		



1

<b>Part No.</b>	360406	<b>Ref. No.</b>	340400 3404000
<b>description</b>	timer FIBER P26 engines 1 chambers 4 operation time 18min 230V shaft ømm shaft Lmm manuf. no. P265J04J907 motor type M61B40R6400		



1

<b>Part No.</b>	360396	<b>Ref. No.</b>	340607 3406070
<b>description</b>	timer FIBER P26 engines 1 chambers 5 operation time 18min 230V shaft ømm shaft Lmm manuf. no. P265J05J9017 motor type M61B40L6400		



1

<b>Part No.</b>	360076	<b>Ref. No.</b>	512069300
<b>description</b>	timer FIBER P37 engines 1 chambers 3 operation time 180s 230V shaft ø 6x4.6mm shaft L 18mm manuf. no. P375J03H524 motor type M51BJ0R6400		


## contactors

## SIEMENS

## power contactors



1

<b>Part No.</b>	380848	<b>Ref. No.</b>	342623 3426230
<b>description</b>	power contactor resistive load 20A 230VAC (AC3/400V) 8.4A/4kW main contacts 3NO connection screw connection type 3TF30000-0A		
<b>accessories for</b>	380848		
	<b>Part No.</b>	380849	<b>Ref. No.</b> 342624 3426240
	contact block contacts 1NO/1NC		



auxiliary contacts



1

<b>Part No.</b>	380849	<b>Ref. No.</b>	342624 3426240
<b>description</b>	contact block contacts 1NO/1NC		

overload switches



1

<b>Part No.</b>	380850	<b>Ref. No.</b>	342625 3426250
<b>description</b>	overload switch setting range 3.2-5A type 3UA50 00-1F		

relays

power relays


with DIN rail mounting

upper



1

<b>Part No.</b>	380183	<b>Ref. No.</b>	342626 3426260
<b>description</b>	power relays FINDER 230VAC 12A 2CO connection male faston 4.8mm DIN rail manuf. no. 56.32.8.230.0007		

<b>accessories for</b>	380183			
	<b>Part No.</b>	380476	<b>Ref. No.</b>	—
	relay socket dimensions 78x27x33.5mm 250V voltage AC 10A FINDER manuf. no. 96.72			

solenoïd valves

solenoïd valves (water)



ELBI

straight



1


<b>Part No.</b>	373021	<b>Ref. No.</b>	330050 3300500
<b>description</b>	solenoïd valve double straight 230VAC inlet 3/4" outlet 11.5mm output 1x 4.7l/min DN10 ELBI		

<b>spare parts for</b>	373021			
	<b>Part No.</b>	370467	<b>Ref. No.</b>	—
	solenoïd valve filter suitable for ELBI			
	<b>Part No.</b>	371263	<b>Ref. No.</b>	—
	reducer ELBI type EATON (INVENSYS) flow rate 4.7l/min pressure range 0 up to 10bar tolerance ±15/25% grey			



1

<b>Part No.</b>	373025	<b>Ref. No.</b>	330500 3305000 4165
<b>description</b>	solenoïd valve triple straight 230VAC inlet 3/4" outlet 11.5mm DN10 ELBI		

<b>spare parts for</b>	373025			
	<b>Part No.</b>	370467	<b>Ref. No.</b>	—
	solenoïd valve filter suitable for ELBI			

spare parts and accessories

reducers

outlet side






1

<b>Part No.</b>	371260	<b>Ref. No.</b>	330650 3306500
<b>description</b>	reducer type ELBI flow rate 0.5l/min pressure range 0 up to 10bar tolerance ±15/25% red		



TP			
			
1			
<b>Part No.</b>	370015	<b>Ref. No.</b>	330100 3301000 330651 3306510
<b>description</b>	solenoid valve single angled 230VAC inlet 3/4" outlet 11.5mm DN10 TP		
<b>accessories for</b>	370015		
	<b>Part No.</b>	371220	<b>Ref. No.</b> —
	reducer TP flow rate 3l/min red tolerance ±15%		
	<b>Part No.</b>	371221	<b>Ref. No.</b> —
	reducer TP flow rate 5.5l/min yellow tolerance ±15%		
	<b>Part No.</b>	371222	<b>Ref. No.</b> —
	reducer TP flow rate 6l/min grey tolerance ±15%		
	<b>Part No.</b>	371223	<b>Ref. No.</b> —
	reducer TP flow rate 10l/min white tolerance ±15%		
	<b>Part No.</b>	371224	<b>Ref. No.</b> —
	reducer TP flow rate 12l/min bronze tolerance ±15%		
	<b>Part No.</b>	371225	<b>Ref. No.</b> —
	reducer TP flow rate 16l/min light brown tolerance ±15%		
	<b>Part No.</b>	371226	<b>Ref. No.</b> —
	reducer TP flow rate 20l/min red tolerance ±15%		
	<b>Part No.</b>	371230	<b>Ref. No.</b> —
	reducer TP flow rate 0.25l/min red tolerance ±25%		
	<b>Part No.</b>	371231	<b>Ref. No.</b> —
	reducer TP flow rate 0.35l/min violet tolerance ±25%		
	<b>Part No.</b>	371232	<b>Ref. No.</b> —
	reducer TP flow rate 0.5l/min orange tolerance ±25%		
	<b>Part No.</b>	371233	<b>Ref. No.</b> —
	reducer TP flow rate 0.8l/min white tolerance ±25%		
	<b>Part No.</b>	371234	<b>Ref. No.</b> —
	reducer TP flow rate 1l/min light blue tolerance ±25%		
	<b>Part No.</b>	371235	<b>Ref. No.</b> —
	reducer TP flow rate 1.2l/min brown tolerance ±25%		
	<b>Part No.</b>	371236	<b>Ref. No.</b> —
	reducer TP flow rate 1.5l/min light brown tolerance ±25%		
	<b>Part No.</b>	371237	<b>Ref. No.</b> —
	reducer TP flow rate 2.5l/min yellow tolerance ±25%		


accessories for 370015			
	<b>Part No.</b>	371238	<b>Ref. No.</b> —
	reducer TP flow rate 3.4l/min dark green tolerance ±25%		
	<b>Part No.</b>	371239	<b>Ref. No.</b> —
	reducer TP flow rate 5l/min black tolerance ±25%		
	<b>Part No.</b>	371240	<b>Ref. No.</b> —
	reducer TP flow rate 8l/min blue tolerance ±20%		

## metal


## ASCO

## spare parts and accessories

## O-rings

			
1			
<b>Part No.</b>	371095	<b>Ref. No.</b>	2182100
<b>description</b>	O-ring Viton thickness 1.78mm ID ø 6.07mm Qty 1 pcs		

## Solenoid valve - accessories

			
1			
<b>Part No.</b>	371095	<b>Ref. No.</b>	2182100
<b>description</b>	O-ring Viton thickness 1.78mm ID ø 6.07mm Qty 1 pcs		

## pressure switches


## for warewashing


ø 58mm with male faston 6.3mm


with connection horizontal

			
1			
<b>Part No.</b>	541047	<b>Ref. No.</b>	328303 3283030
<b>description</b>	pressure control pressure range 340/200mbar connection 6mm ø 58mm pressure connection horizontal warewashing		




			
1			
<b>Part No.</b>	541046	<b>Ref. No.</b>	328301 3283010
<b>description</b>	pressure control pressure range 45/20mbar connection 6mm ø 58mm pressure connection horizontal warewashing		

			
1			
<b>Part No.</b>	541140	<b>Ref. No.</b>	3281100 37610054
<b>description</b>	pressure control pressure range 55/30mbar connection 6mm ø 58mm pressure connection horizontal warewashing		

with connection vertical			
			
1			
<b>Part No.</b>	541520	<b>Ref. No.</b>	328100 3281000 3609
<b>description</b>	pressure control pressure range 55/30mbar connection male faston 6.3mm ø 55mm pressure connection vertical warewashing pressure connection ø 6mm		

miscellaneous			
			
1			
<b>Part No.</b>	541038	<b>Ref. No.</b>	328302 3283020
<b>description</b>	pressure control double		

accessories			
			
1			
<b>Part No.</b>	541109	<b>Ref. No.</b>	260032 2600320
<b>description</b>	Y-piece plastic hose ø 8-6-8mm for pressure switch		

## pumps

### wash and rinse pumps

FIR			
pumps			
			
1			
<b>Part No.</b>	500465	<b>Ref. No.</b>	351890 3518900
<b>description</b>	pump inlet ø 28mm outlet ø 26mm type 2213.1601 230V 50Hz 1 phase 0.11kW 0.15HP L 195mm rotation direction left capacitor 5µF FIR		
<b>spare parts for</b>	500465		
	<b>Part No.</b>	365017	<b>Ref. No.</b> 334600 3346000
	operating capacitor capacity 5µF 450V tolerance 5% 50/60Hz ambient temperature max. -25 to +85°C ø 28mm L 54mm M8 plastic connection male faston 6.3mm 16.10.08 protection		
	<b>Part No.</b>	510384	<b>Ref. No.</b> —
	pump cover inlet ø 28mm outlet ø 26mm ø 100mm ID ø 76mm		
	<b>Part No.</b>	510695	<b>Ref. No.</b> —
	mechanical shaft seal height counter ring 5.5mm ID ø 11mm		
	<b>Part No.</b>	511711	<b>Ref. No.</b> —
	O-ring EPDM thickness 3.53mm ID ø 78.97mm Qty 1 pcs		
	<b>Part No.</b>	521266	<b>Ref. No.</b> —
	impellor ø 67mm H 18mm thread M7 shaft ø 11mm shaft length 32mm blades 3		








1

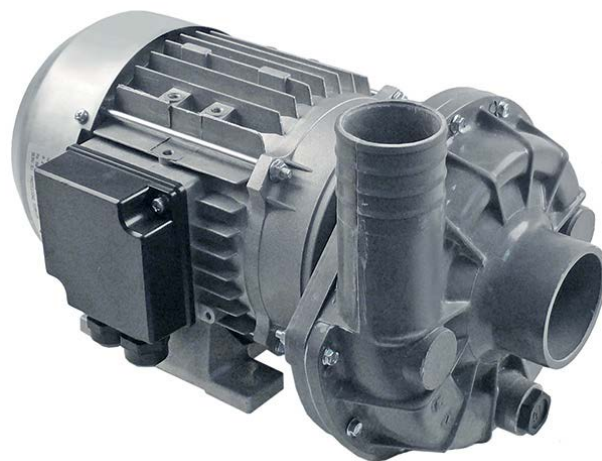
<b>Part No.</b>	500028	<b>Ref. No.</b>	351890 old version 3518900 old version
<b>description</b>	pump inlet $\varnothing$ 28mm outlet $\varnothing$ 26mm type 2213.1912 230V 50Hz 1 phase 0.11kW 0.15HP L 195mm rotation direction left capacitor 6.3 $\mu$ F FIR		
<b>spare parts for</b>	500028		
	<b>Part No.</b>	365012	<b>Ref. No.</b> —
	operating capacitor capacity 6.3 $\mu$ F 450V tolerance 5% 50Hz ambient temperature max. -25 to +85°C $\varnothing$ 30mm L 61mm M8 plastic connection male faston 6.3mm protection		
	<b>Part No.</b>	510384	<b>Ref. No.</b> —
	pump cover inlet $\varnothing$ 28mm outlet $\varnothing$ 26mm $\varnothing$ 100mm ID $\varnothing$ 76mm		
	<b>Part No.</b>	510532	<b>Ref. No.</b> —
	impellor $\varnothing$ 72mm H 22mm shaft $\varnothing$ 11mm shaft length 32mm blades 3		
	<b>Part No.</b>	510695	<b>Ref. No.</b> —
	mechanical shaft seal height counter ring 5.5mm ID $\varnothing$ 11mm		
	<b>Part No.</b>	521703	<b>Ref. No.</b> —
	pump cover gasket EPDM thickness 2.5mm ID $\varnothing$ 75mm Qty 1 pcs		




1

<b>Part No.</b>	500479	<b>Ref. No.</b>	351934 3519340
<b>description</b>	pump inlet $\varnothing$ 45mm outlet $\varnothing$ 40mm type 3911.1423 230V 50Hz 1 phase 0.56kW 0.75HP L 204mm rotation direction right capacitor 10 $\mu$ F FIR		
<b>spare parts for</b>	500479		
	<b>Part No.</b>	365015	<b>Ref. No.</b> —
	operating capacitor capacity 10 $\mu$ F 400V tolerance 5%Hz ambient temperature max. -25 to +85°C $\varnothing$ 35.5mm L 59mm M8 plastic connection male faston 6.3mm protection		

<b>spare parts for</b>	500479		
	<b>Part No.</b>	510508	<b>Ref. No.</b> —
	pump cover FIR inlet $\varnothing$ 45mm outlet $\varnothing$ 40mm pump type PU 0.5/3911 turn direction right $\varnothing$ 160mm ID $\varnothing$ 125mm inner high 25mm		
	<b>Part No.</b>	510610	<b>Ref. No.</b> —
	impellor $\varnothing$ 95.5mm H 23mm shaft intake $\varnothing$ 9/8mm rotation direction right seat $\varnothing$ 16mm blades 6		
	<b>Part No.</b>	510692	<b>Ref. No.</b> —
	mechanical shaft seal for shaft $\varnothing$ 11mm slide ring ext. $\varnothing$ 24mm slide ring H 13mm counter ring mounting $\varnothing$ 26mm height counter ring 8mm counter ring int. $\varnothing$ 14mm		
	<b>Part No.</b>	521702	<b>Ref. No.</b> —
	pump cover gasket thickness 3.5x4.5mm Qty 1 pcs		




1


<b>Part No.</b>	500023	<b>Ref. No.</b>	351936 3519360
<b>description</b>	pump inlet $\varnothing$ 63mm outlet $\varnothing$ 47mm type 1225.2725 230/400V 50Hz 3 phase 1.1kW 1.5HP L 335mm rotation direction right FIR		
<b>spare parts for</b>	500023		
	<b>Part No.</b>	510602	<b>Ref. No.</b> —
	impellor $\varnothing$ 110mm H 34mm rotation direction right thread M8L shaft $\varnothing$ 28mm seat $\varnothing$ 12.2mm blades 6		
	<b>Part No.</b>	510693	<b>Ref. No.</b> —
	mechanical shaft seal for shaft $\varnothing$ 12mm slide ring ext. $\varnothing$ 24mm slide ring H 15.5mm slide ring int. $\varnothing$ 11mm counter ring mounting $\varnothing$ 24mm height counter ring 8mm counter ring int. $\varnothing$ 13.5mm		
	<b>Part No.</b>	521513	<b>Ref. No.</b> —
	pump cover FIR inlet $\varnothing$ 63mm outlet $\varnothing$ 47mm turn direction right ID $\varnothing$ 150mm inner high 32mm		
	<b>Part No.</b>	524416	<b>Ref. No.</b> —
	pump cover gasket thickness 4x4mm Qty 1 pcs		




booster pumps I



1

<b>Part No.</b>	500060	<b>Ref. No.</b>	351930 3519300
<b>description</b>	pump inlet ø 1" outlet ø 1" type PQM60 230V 50Hz 1 phase 0.37kW PEDRELLLO		
<b>accessories for</b>	500060		
	<b>Part No.</b>	<b>Ref. No.</b>	—
	365015		
<b>description</b>	operating capacitor capacity 10µF 400V tolerance 5%Hz ambient temperature max. -25 to +85°C ø 35.5mm L 59mm M8 plastic connection male faston 6.3mm protection		



1

<b>Part No.</b>	500478	<b>Ref. No.</b>	351942 3519420 351948 3519480
<b>description</b>	pump inlet ø 13mm outlet ø 13mm type C.4035 230V 0.28kW ALBA PUMPS (C&A) turn direction left		

drain pumps

ASKOLL



1

<b>Part No.</b>	500210	<b>Ref. No.</b>	351935 3519350
<b>description</b>	drain pump 230V 40W		

booster pumps II

accessories




1

<b>Part No.</b>	365017	<b>Ref. No.</b>	334600 3346000
<b>description</b>	operating capacitor capacity 5µF 450V tolerance 5% 50/60Hz ambient temperature max. -25 to +85°C ø 28mm L 54mm M8 plastic connection male faston 6.3mm 16.10.08 protection		

condensators & interference suppression filters

operating capacitors

plastic




1

<b>Part No.</b>	365017	<b>Ref. No.</b>	334600 3346000
<b>description</b>	operating capacitor capacity 5µF 450V tolerance 5% 50/60Hz ambient temperature max. -25 to +85°C ø 28mm L 54mm M8 plastic connection male faston 6.3mm 16.10.08 protection		

filters

interference suppression filters



1

<b>Part No.</b>	365044	<b>Ref. No.</b>	334606 3346060
<b>description</b>	interference suppression filter type FC701Y2F 250V 50-60Hz conductor 2 with E connection cable 200mm L 42mm ø 23mm Hmm Wmm plastic Qty 1 pcs		



## fuses

### screw locks

#### D0-system (NEOZED)



1			
<b>Part No.</b>	358072	<b>Ref. No.</b>	316823 3168230
<b>description</b>	fuse size D01 6A rated 250/400V E14 ø 11mm L 36mm Qty 10 pcs		

#### fuse holders



1			
<b>Part No.</b>	358000	<b>Ref. No.</b>	342628 3426280 342629 3426290
<b>description</b>	fuse holder suitable fuse D01 16A rated 400V for DIN rail mounting suitable for D01		

## electric accessories

### terminals

#### connection terminals with screw/faston connections



1			
<b>Part No.</b>	550278	<b>Ref. No.</b>	308200 3082000
<b>description</b>	power terminal block 3-pole max. 40A max 400V connection ø6mm <sup>2</sup> / F6.3 temp.-resist. 150°C cross section 6mm <sup>2</sup>		



1			
<b>Part No.</b>	550411	<b>Ref. No.</b>	308300 3083000
<b>description</b>	power terminal block 6-pole max. 40A max 450V connection ø6mm <sup>2</sup> / F6.3 temp.-resist. 150°C cross section 6mm <sup>2</sup>		

#### connection terminals with faston connections



1			
<b>Part No.</b>	550754	<b>Ref. No.</b>	308610 3086100
<b>description</b>	connection terminal 6-pole max. 16A max 380V		

#### terminal boards



1			
<b>Part No.</b>	550413	<b>Ref. No.</b>	308611 3086110
<b>description</b>	terminal board 3-pole thread M5 L 55mm W 36mm		

## equipment-specific units

### for espresso machines

#### brewing units

#### filter holder gaskets

#### O-rings



1			
<b>Part No.</b>	510409	<b>Ref. No.</b>	218845 2188450
<b>description</b>	O-ring EPDM thickness 5.34mm ID ø 56.52mm Qty 1 pcs		

### for dishwashers

#### drain and intake components

#### LASA

#### drain /intake bodies




1			
<b>Part No.</b>	501356	<b>Ref. No.</b>	2440050 2440051
<b>description</b>	drain fitting thread 1 1/2" ID ø 35mm L 40mm end piece ext. ø 57mm		
<b>accessories for</b>	501356		

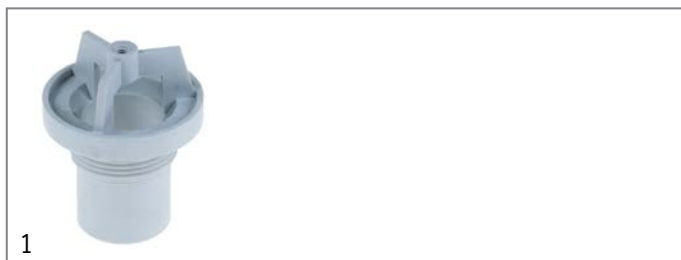


	<b>Part No.</b>	505180	<b>Ref. No.</b>	—
	O-ring EPDM thickness 3.53mm ID ø 47.22mm Qty 1 pcs			


Table continues overleaf



accessories for		501356	
	Part No.	506224	Ref. No.
			244004
			2440040
			267160
			2671600
nut thread 1½" plastic			



Part No.	507374	Ref. No.	267340 2673400 (old version) 3589
description	drain fitting thread 1¼"		

spare parts for		507374	
	Part No.	507058	Ref. No.
			267120
			2671200
			3591
screw connection thread 1¼" H 14mm WS 55			

	Part No.	507373	Ref. No.
			241430
			2414300
			3588
threaded rod L 42mm			




Part No.	507577	Ref. No.	2673400
description	drain fitting thread 1¼" H 87mm		



Part No.	501374	Ref. No.	6490890
description	drain fitting thread 1½" ID ø 39mm L 40mm hose ø 41mm		



Part No.	511916	Ref. No.	260970 2609700
description	intake body		

spare parts for		511916	
	Part No.	511917	Ref. No.
			260969
			2609690
intake filter			



Part No.	506224	Ref. No.	244004 2440040 267160 2671600
description	nut thread 1½" plastic		



Part No.	532537	Ref. No.	2188600
description	O-ring EPDM thickness 3.53mm ID ø 113.9mm Qty 1 pcs		



Part No.	507058	Ref. No.	267120 2671200 3591
description	screw connection thread 1¼" H 14mm WS 55		

filters




Part No.	524928	Ref. No.	743176
description	flat filter L 560mm W 270mm H 20mm with hole mounting pos. right for dishwasher SS		




Part No.	524929	Ref. No.	743177
description	flat filter L 560mm W 270mm H 20mm without hole mounting pos. left for dishwasher SS		







			
1			
<b>Part No.</b>	511917	<b>Ref. No.</b>	260969 2609690
<b>description</b>	intake filter		
<b>spare parts for</b>	511917		
	<b>Part No.</b>	<b>Ref. No.</b>	260970 2609700
	intake body		

			
1			
<b>Part No.</b>	507373	<b>Ref. No.</b>	241430 2414300 3588
<b>description</b>	threaded rod L 42mm		


## overflow pipes

			
1			
<b>Part No.</b>	519454	<b>Ref. No.</b>	2609710
<b>description</b>	overflow pipe ø 31mm L 238mm ID ø 27mm ED ø 31mm thickness 3mm		



			
1			
<b>Part No.</b>	501357	<b>Ref. No.</b>	7451360 7451780
<b>description</b>	overflow pipe ø 40mm L 460mm stainless steel		

## softener cartridges

## softening columns

			
1			
<b>Part No.</b>	530000	<b>Ref. No.</b>	346100 3461000 346200 3462000
<b>description</b>	softener 4-fold L 380mm W 180mm		

## complete

			
1			
<b>Part No.</b>	516086	<b>Ref. No.</b>	3464020
<b>description</b>	softener		
<b>spare parts for</b>	516086		
	<b>Part No.</b>	<b>Ref. No.</b>	—
	 container lid		


## hood mechanics for dishwashers


## springs

			
1			
<b>Part No.</b>	511968	<b>Ref. No.</b>	238517 2385170
<b>description</b>	spring for hood mechanics L 383mm wire gauge ø 5.5mm ø 43mm		

## air traps

## air traps

			
1			
<b>Part No.</b>	510343	<b>Ref. No.</b>	277561 2775610
<b>description</b>	air trap L 140mm ø 33mm plastic		




			
1			
<b>Part No.</b>	511454	<b>Ref. No.</b>	260968 2609680 2609680+2185600+2023250+2035650 2609680+2187700+2023250+2035650
<b>description</b>	air trap W 45mm H 95mm		




door mechanics


locks

			
1			
<b>Part No.</b>	510628	<b>Ref. No.</b>	2609880
<b>description</b>	catch hook plastic for door latch		


			
1			
<b>Part No.</b>	510627	<b>Ref. No.</b>	2609870
<b>description</b>	housing plastic for door latch		
<b>accessories for</b>	510627		
	<b>Part No.</b>	<b>Ref. No.</b>	
	510628	2609880	
	catch hook plastic for door latch		
	<b>Part No.</b>	<b>Ref. No.</b>	
	510629	2385150	
	spring for door latch		


			
1			
<b>Part No.</b>	510629	<b>Ref. No.</b>	2385150
<b>description</b>	spring for door latch		


screw connections


			
1			
<b>Part No.</b>	507058	<b>Ref. No.</b>	267120 2671200 3591
<b>description</b>	screw connection thread 1 1/4" H 14mm WS 55		

washing and rinsing systems

			
1			
<b>Part No.</b>	524932	<b>Ref. No.</b>	266002
<b>description</b>	extension for wash arm support ø 68/62mm ID ø 53mm H 60mm		

			
1			
<b>Part No.</b>	524933	<b>Ref. No.</b>	270302 2703020
<b>description</b>	gasket for wash arm support ø 100mm ID ø 68mm thickness 7mm		


			
1			
<b>Part No.</b>	510238	<b>Ref. No.</b>	230598 2305980
<b>description</b>	knurled nut ø 27mm H 13.4mm wash arm support		

			
1			
<b>Part No.</b>	519469	<b>Ref. No.</b>	260974 2609740
<b>description</b>	screw connection for wash arm support mounting pos. lower		

washing and rinsing systems (sorted by producer)

LASA

			
1			
<b>Part No.</b>	518084	<b>Ref. No.</b>	260983 2609830
<b>description</b>	rinse arm L 215mm nozzles 4 mounting ø 18mm mounting pos. upper/lower		

			
1			
<b>Part No.</b>	518083	<b>Ref. No.</b>	2610010
<b>description</b>	wash arm L 190mm nozzles 4 mounting ø 31.7mm mounting pos. upper/lower ø 32mm		



1

<b>Part No.</b>	510237	<b>Ref. No.</b>	2600130
<b>description</b>	rinse jet H 18mm		



1

<b>Part No.</b>	524931	<b>Ref. No.</b>	261003 2610030
<b>description</b>	wash arm boss mounting pos. upper/lower ø 71mm ID ø 59mm L 135mm W 88mm H 62mm		



1

<b>Part No.</b>	519453	<b>Ref. No.</b>	260973 2609730 644657 6446570
<b>description</b>	wash arm support mounting pos. lower		

accessories for 519453



<b>Part No.</b>	519469	<b>Ref. No.</b>	260974 2609740
screw connection for wash arm support mounting pos. lower			



1

<b>Part No.</b>	519452	<b>Ref. No.</b>	260976 2609760
<b>description</b>	wash arm support mounting pos. upper ø 41mm H 64mm		

## knobs

### producer-specific knobs

#### LASA



1

<b>Part No.</b>	111816	<b>Ref. No.</b>	263500 2635000
<b>description</b>	knob ø 20mm shaft ø 6x4.6mm shaft flat universal red		



1

<b>Part No.</b>	111815	<b>Ref. No.</b>	260016 2600160 644660 6446600 6446600+2004400
<b>description</b>	knob switch zero mark ø 45mm shaft ø 6x4.6mm shaft flat right		



1

<b>Part No.</b>	112550	<b>Ref. No.</b>	260007 2600070 644656 6446560
<b>description</b>	knob switch zero mark ø 45mm shaft ø 6x4.6mm shaft flat right black		

## accessories

### gaskets



1

<b>Part No.</b>	112563	<b>Ref. No.</b>	270310
<b>description</b>	gasket for shaft D1 ø 16mm D2 ø 6mm		

### rosettes



1

<b>Part No.</b>	112551	<b>Ref. No.</b>	260010 2600100
<b>description</b>	rosette for knob up to ø 45mm		



1


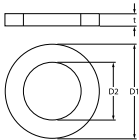
<b>Part No.</b>	112552	<b>Ref. No.</b>	260009 2600090
<b>description</b>	rosette for knob up to ø 45mm		



## gaskets


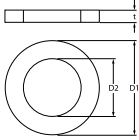
### O-rings

#### EPDM


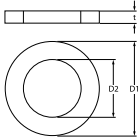
1

<b>Part No.</b>	510302	<b>Ref. No.</b>	218852 2188520
<b>description</b>	O-ring EPDM ID ø 12.42mm thickness 1.78mm Qty 1 pcs		


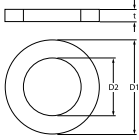
1

<b>Part No.</b>	504512	<b>Ref. No.</b>	2182550
<b>description</b>	O-ring EPDM thickness 1.78mm ID ø 14mm Qty 1 pcs		


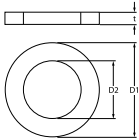
1

<b>Part No.</b>	510303	<b>Ref. No.</b>	218030 2180300
<b>description</b>	O-ring EPDM thickness 1.78mm ID ø 6.75mm Qty 1 pcs		


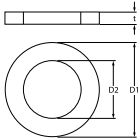
1

<b>Part No.</b>	532062	<b>Ref. No.</b>	2185700
<b>description</b>	O-ring EPDM thickness 2.62mm ID ø 29.82mm Qty 10 pcs		


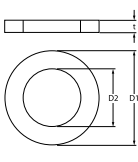
1

<b>Part No.</b>	532537	<b>Ref. No.</b>	2188600
<b>description</b>	O-ring EPDM thickness 3.53mm ID ø 113.9mm Qty 1 pcs		

1


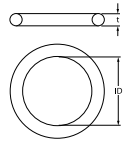
<b>Part No.</b>	510408	<b>Ref. No.</b>	218800 2188000 218840 2188400
<b>description</b>	O-ring EPDM thickness 5.34mm ID ø 47mm Qty 1 pcs		

1

<b>Part No.</b>	510409	<b>Ref. No.</b>	218845 2188450
<b>description</b>	O-ring EPDM thickness 5.34mm ID ø 56.52mm Qty 1 pcs		


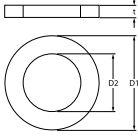
#### silicone

1

<b>Part No.</b>	532650	<b>Ref. No.</b>	218560 2185600 218770 2187700
<b>description</b>	O-ring silicone thickness 3.53mm ID ø 15.47mm Qty 1 pcs		


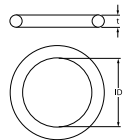
#### Viton

1

<b>Part No.</b>	371095	<b>Ref. No.</b>	2182100
<b>description</b>	O-ring Viton thickness 1.78mm ID ø 6.07mm Qty 1 pcs		

#### NBR





1

<b>Part No.</b>	532651	<b>Ref. No.</b>	218130
<b>description</b>	O-ring NBR thickness 3.53mm ID ø 71.44mm Qty 1 pcs		

## springs

### miscellaneous



1

<b>Part No.</b>	511969	<b>Ref. No.</b>	238512
<b>description</b>	protection spring shaft diametermm ø 11mm L 112mm Wmm Hmm wire gauge ø 0.6mm		



## manometers



1

<b>Part No.</b>	541272	<b>Ref. No.</b>	326728 3267280
<b>description</b>	manometer ø 40mm pressure range 0 up to 4bar thread 1/8" connection on the backside		

## dosing pumps



## membrane dosing pumps

## self-priming

## various






1




<b>Part No.</b>	361015	<b>Ref. No.</b>	3489010	
<b>description</b>	dosing pump membrane dosing pump rinse aid inlet 6x8mm outlet 4x6mm pressure connection ø 4x6mm suction connection ø 6x8mm			
<b>spare parts for</b>	361015			
	<b>Part No.</b>	361132	<b>Ref. No.</b>	—
	membrane dosing pump			
	<b>Part No.</b>	510298	<b>Ref. No.</b>	—
	lip valve dosing pump suitable for DB2/DS5			



1

2x

<b>Part No.</b>	361741	<b>Ref. No.</b>	3489030	
<b>description</b>	dosing pump type model 2 rinse aid inlet 4x6mm outlet 4x6mm pressure connection ø 4x6mm suction connection ø 4x6mm			
<b>spare parts for</b>	361741			
	<b>Part No.</b>	361307	<b>Ref. No.</b>	—
	membrane dosing pump ø 68mm hole ø 6mm for type DIB3P/DIB5P			
	<b>Part No.</b>	361459	<b>Ref. No.</b>	—
	hose connector ø 6mm for dosing pump			
	<b>Part No.</b>	361462	<b>Ref. No.</b>	—
	container filter with weight SS hose ø 4x6mm			





<b>spare parts for</b>	361741			
	<b>Part No.</b>	508116	<b>Ref. No.</b>	—
	union nut thread M10x1 H 16mm WS 16 plastic Qty 1 pcs			
	<b>Part No.</b>	508123	<b>Ref. No.</b>	—
	T-piece 3-way hose ø 13-5-13mm plastic			
	<b>Part No.</b>	520090	<b>Ref. No.</b>	—
	PVC hose ID ø 4mm ED ø 6mm L 2m thickness 1mm t.max. 60°C transparent			

## self-priming with supporting pressure

## OMNIWASH



1

<b>Part No.</b>	361054	<b>Ref. No.</b>	3229 3929	
<b>description</b>	dosing pump rinse aid pressure connection ø 6mm suction connection ø 6mm auxiliary pressure connection 10mm			
<b>spare parts for</b>	361054			
	<b>Part No.</b>	361308	<b>Ref. No.</b>	—
	membrane rinse aid pressure connection ømm suction connection ømm auxiliary pressure connectionmm			
	<b>Part No.</b>	361348	<b>Ref. No.</b>	—
	lip valve rinse aid pressure connection ømm suction connection ømm auxiliary pressure connectionmm			
<b>accessories for</b>	361054			
	<b>Part No.</b>	520252	<b>Ref. No.</b>	—
	nylon hose ID ø 6mm ED ø 8mm L 5m thickness 1mm operating p. 10bar burst p. 50bar t.max. 100°C white			
	<b>Part No.</b>	520278	<b>Ref. No.</b>	—
	PVC hose ID ø 6mm ED ø 8mm L 2m thickness 1mm t.max. 60°C transparent			

## hoses


## formed hoses

## straight



1

<b>Part No.</b>	504273	<b>Ref. No.</b>	193318 1933180 271245 2712450
<b>description</b>	extraction hose hose ext. ø 68mm hose int. ø 60mm L 150mm		

1

<b>Part No.</b>	519455	<b>Ref. No.</b>	270317 2703170
<b>description</b>	formed hose hose ext. ø 50/60mm hose int. ø 38/48mm L 69mm dishwasher black Qty 1		

with branch




1

<b>Part No.</b>	524930	<b>Ref. No.</b>	270313 2703130
<b>description</b>	formed hose ext. ø 62/55 D1 ø 43mm D2 ø 49mm L 170mm warewashing black		

for dishwashers

miscellaneous




1

<b>Part No.</b>	510806	<b>Ref. No.</b>	6422180
<b>description</b>	extraction hose ED ø 8mm ID ø 5mm Qty supplied by meter		

fittings, hose and pipe connectors

hose connectors

without screw connection



1


<b>Part No.</b>	541109	<b>Ref. No.</b>	260032 2600320
<b>description</b>	Y-piece plastic hose ø 8-6-8mm for pressure switch		

## ancillary products

### clamps

#### hose clamps

DIN 3017 - W2



1


<b>Part No.</b>	520111	<b>Ref. No.</b>	2140960
<b>description</b>	hose clamp ø 10-16mm width 9mm Qty 10 pcs DIN 3017		

## fastening material

### nuts

#### hexagonal nuts

DIN 934 / ISO 4032/8673



1


<b>Part No.</b>	560340	<b>Ref. No.</b>	3231 3676
<b>description</b>	hexagonal nut thread M4 H 3.2mm WS 7 SS DIN/ISO DIN 934 / ISO 4032/8673 Qty 1 pcs		

### fasteners

#### clamps

#### hose clamps

DIN 3017 - W2



1

<b>Part No.</b>	520111	<b>Ref. No.</b>	2140960
<b>description</b>	hose clamp ø 10-16mm width 9mm Qty 10 pcs DIN 3017		



## consumables

fuses

screw locks

D0-system (NEOZED)



1

<b>Part No.</b>	358072	<b>Ref. No.</b>	316823 3168230
<b>description</b>	fuse size D01 6A rated 250/400V E14 ø 11mm L 36mm Qty 10 pcs		

**GASTRO**PARTS.COM

