

Köhler Esback

- [EN]** Equipment
- [DE]** Geräte
- [ES]** Aparatos
- [FR]** Équipement
- [IT]** Attrezzature
- [PL]** Urządzenia
- [RU]** Оборудование

✉ gastroparts@gastroparts.com

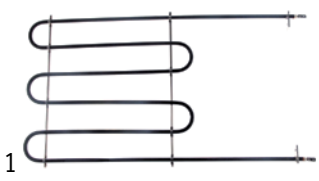
☎ +48 56 657 00 66

📘 fb.com/gastroparts.global



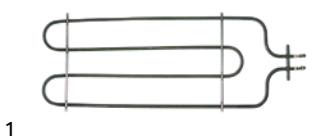
heating elements

heating elements for heated trolleys





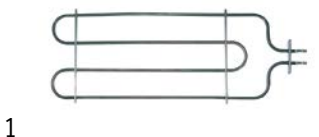
1

Part No.	418309	Ref. No.	3000349
description	heating element 1600W 230V L 465mm W 257mm connection male faston 6.3mm dry heating element bracket mounting tube ø 6.5mm heating circuits 1 hole distance 210mm hole ø 4.5mm mounting thread M4 lug length 30mm lug width 16mm		






1

Part No.	415340	Ref. No.	360060. 3000370
description	heating element 400W 230V L 477mm W 172mm connection M4 dry heating element L1 37mm L2 440mm W1 71mm W2 30mm rectangular flange tube ø 6.3mm heating circuits 1 hole distance 56mm flange length 70mm flange width 22mm hole ø M4mm		
accessories for	415340		
	Part No.	510368	Ref. No. —
	gasket L 70mm W 23.5mm hole ø 5mm hole distance 56mm FIBER thickness 2mm for heating element		
	Part No.	510426	Ref. No. —
	gasket L 72mm W 20mm hole distance 56mm silicone thickness 2mm for heating element		







1

Part No.	415339	Ref. No.	360080. 3000352
description	heating element 600W 230V L 480mm W 175mm connection M4 dry heating element L1 40mm L2 440mm W1 72mm W2 31mm rectangular flange tube ø 6.4mm heating circuits 1 hole distance 56mm flange length 70mm flange width 22mm hole ø M4mm connection length 35mm		
accessories for	415339		
	Part No.	510368	Ref. No. —
	gasket L 70mm W 23.5mm hole ø 5mm hole distance 56mm FIBER thickness 2mm for heating element		
	Part No.	510426	Ref. No. —
	gasket L 72mm W 20mm hole distance 56mm silicone thickness 2mm for heating element		



1

Part No.	415338	Ref. No.	360100
description	heating element 900W 230V L 480mm W 174mm connection M4 dry heating element L1 37mm L2 443mm W1 72mm W2 30mm rectangular flange tube ø 6.3mm heating circuits 1 hole distance 56mm flange length 70mm flange width 22mm connection length 33mm mounting thread M4		
accessories for	415338		
	Part No.	510368	Ref. No. —
	gasket L 70mm W 23.5mm hole ø 5mm hole distance 56mm FIBER thickness 2mm for heating element		
	Part No.	510426	Ref. No. —
	gasket L 72mm W 20mm hole distance 56mm silicone thickness 2mm for heating element		
	Part No.	560111	Ref. No. —
	plain washer ID ø 4.3mm ED ø 9mm thickness 0.8mm SS Qty 20 pcs DIN 125A for thread M4		
	Part No.	560131	Ref. No. —
	hexagonal nut thread M4 H 3.2mm WS 7 SS DIN/ISO DIN 934 / ISO 4032/8673 Qty 20 pcs		


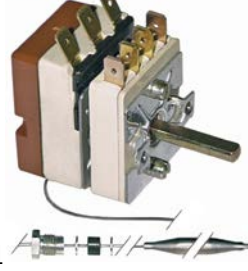
thermostats

control and safety thermostats




EGO

control thermostats with operation switch

55.13_ series

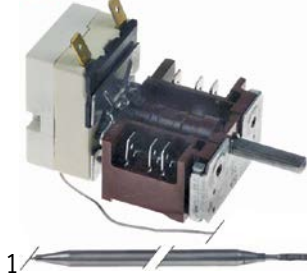



1

Part No.	375406	Ref. No.	3000367
description	thermostat t.max. 110°C temperature range 30-110°C 1-pole 1CO 16A probe ø 6mm probe L 113mm capillary pipe 2380mm capillary pipe isolated 1700mm gland nut M9x1 shaft ø 6x4.6mm shaft L 18mm shaft position upper rotation 270° outer switch 2NO		
accessories for	375406		
	Part No.	110545	Ref. No. —
	knob dial plate silver thermostat t.max. 110°C 30-110°C rotation 310° ED ø 59mm ID ø 45.5mm		
	Part No.	112173	Ref. No. —
	knob universal ø 62mm black without adaptor/dial plate		
	Part No.	112311	Ref. No. —
	knob adapter shaft ø 6x4.6mm L 0mm with spring		



E-G-O



Part No.	390179	Ref. No.	3000368, 392080
description	thermostat t.max. 110°C temperature range 30-110°C 1-pole 1NO 16A probe ø 6mm probe L 113mm capillary pipe 1430mm capillary pipe isolatedmm gland nut shaft ø 6x4.6mm shaft L 23mm shaft position upper rotation 270° outer switch 2NO		

lamps



indicator lights

indicator lights (complete)

ø13mm

with screw socket



Part No.	359145	Ref. No.	3000250 404020
description	indicator light ø 13mm 230V green t.max. 120°C		
accessories for	359145		
	Part No.	510302	Ref. No. —
	O-ring EPDM ID ø 12.42mm thickness 1.78mm Qty 1 pcs		
	Part No.	511505	Ref. No. —
	O-ring EPDM thickness 1.78mm ID ø 12.42mm Qty 10 pcs		

LED

indicator lamps

mounting diameter 14mm

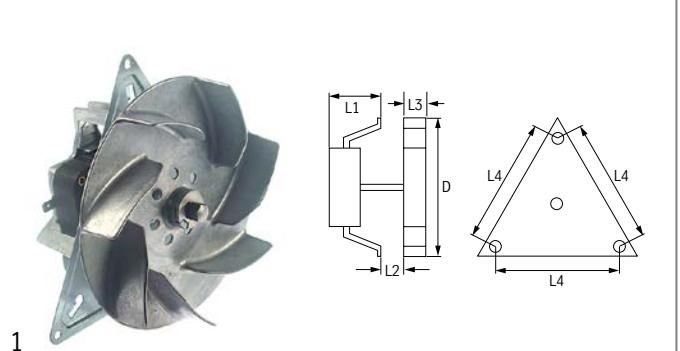


Part No.	359382	Ref. No.	3000250/1
description	indicator light LED mounting ø 14mm 230VAC green connection F2.8x0.8 mounting thread M14		

fans

hot air fans

ebm-papst



Part No.	601272	Ref. No.	3000070/1
description	hot air fan 220-230V 47W L1 65mm L2 17mm L3 28mm L4 157mm fan wheel ø 150mm ebm-papst type R2K150-AA21-13		

electric accessories

cables

spiral cables




Part No.	550101	Ref. No.	402020. 3000336
description	spiral cable plug type CEE7/7 type E+F 1.5mm ² 3-pole with plug L 500mm expansion 5:1 countries A/B/D/F/I orange t.max. 70°C		

knobs

universal knobs



Part No.	110119	Ref. No.	395080. 3000565
description	knob thermostat t.max. 110°C ø 50mm shaft ø 6x4.6mm shaft flat upper black temperature range 30-110°C rotation 270°		

accessories for	110119		
	Part No.	110135	Ref. No. —
	rosette knob up to ø 52mm		



producer-specific knobs

KÖHLER ESBACK



1

Part No. 110119 **Ref. No.** 395080. 3000565

description knob thermostat t.max. 110°C ø 50mm shaft ø 6x4.6mm shaft flat upper black temperature range 30-110°C rotation 270°

accessories for 110119



Part No. 110135 **Ref. No.** —
rosette knob up to ø 52mm

handles and hand wheels

bracket handles



1

Part No. 690918 **Ref. No.** 3000607

description pull handle L 177mm H 55mm mounting distance 140mm

STEINCO

with spigot

stainless steel



1

Part No. 700273 **Ref. No.** 00002140

description swivel castor ø 125mm spigot housing stainless steel capacity 100kg spigot hight 62mm spigot-ø 18mm bearing ball bearing wheel body polyamide tread TPE tyres H 161mm wheel width 32mm Qty 1 pcs



1

Part No. 700274¹ **Ref. No.** 00002142

description swivel castor with swivel brake ø 125mm spigot housing SS capacity 100kg spigot hight 62mm spigot-ø 18mm bearing ball bearing wheel body polyamide tread thermoplastic H 161mm wheel width 32mm Qty 1 pcs

¹with swivel brake

TENTE

with fixing plate

chrome-plated steel



1

Part No. 700242 **Ref. No.** 3000597, 0000802

description fixed castor ø 160mm plate fixing housing chrome-plated sheet steel plate size 137x105mm hole distance 105x77mm capacity 300kg bearing ball bearing wheel body polypropylene tread TPE tyres H 200mm wheel width 46mm -20 up to +80°C Qty 1 pcs



1

Part No. 700243 **Ref. No.** 3000594, 00029827

description swivel castor ø 160mm plate fixing housing chrome-plated sheet steel plate size 137x105mm hole distance 105x77mm capacity 300kg bearing ball bearing wheel body polypropylene tread TPE tyres H 200mm wheel width 46mm -20 up to +80°C Qty 1 pcs



1

Part No. 700244¹ **Ref. No.** 3000596, 00029825

description swivel castor with swivel brake ø 160mm plate fixing housing chrome-plated sheet steel plate size 137x105mm hole distance 105x77mm capacity 300kg bearing ball bearing wheel body polypropylene tread TPE tyres H 200mm wheel width 46mm -20 up to +80°C Qty 1 pcs

¹with swivel brake




1

Part No. 700258¹ **Ref. No.** 00005972

description swivel castor ø 200mm plate fixing housing zinc-plated sheet steel plate size 137x105mm hole distance 105x75mm capacity 400kg bearing ball bearing wheel body polyamide tread TPE tyres H 240mm wheel width 46mm -20 up to +80°C Qty 1 pcs


¹hole distance 105x75 - 105x80

1

Part No.	700259 ^{1,2}	Ref. No.	00005514
description	swivel castor with swivel brake ø 200mm plate fixing housing chrome-plated sheet steel plate size 137x105mm hole distance 105x75mm capacity 400kg bearing ball bearing wheel body polyamide tread TPE tyres H 240mm wheel width 46mm -20 up to +80°C Qty 1 pcs		

¹hole distance 105x75 - 105x80 ²with swivel brake




1

Part No.	700247 ¹	Ref. No.	3000599, 00029522
description	fixed castor ø 160mm plate fixing housing stainless steel plate size 137x105mm hole distance 105x75mm capacity 300kg bearing precision ball bearing, sealed wheel body polyamide tread TPE tyres H 200mm wheel width 46mm -20 up to +80°C Qty 1 pcs		

¹hole distance 105x75 - 105x80


stainless steel



1

Part No.	700266 ¹	Ref. No.	00004982
description	fixed castor ø 125mm plate fixing housing stainless steel plate size 77x67mm hole distance 61.5x51.5mm capacity 100kg bearing slide bearing wheel body polypropylene tread TPE tyres H 160mm wheel width 32mm -20 up to +60°C Qty 1 pcs		


¹hole distance 56x46.5 - 61.5x51



1

Part No.	700249 ^{1,2}	Ref. No.	3000600, 00029497
description	swivel castor with swivel brake ø 160mm plate fixing housing stainless steel plate size 140x110mm hole distance 105x75mm capacity 300kg bearing precision ball bearing, sealed wheel body polyamide tread TPE tyres H 200mm wheel width 46mm		


¹with swivel brake ²hole distance 105x75 - 105x80



1

Part No.	700264 ¹	Ref. No.	00004971
description	swivel castor ø 125mm plate fixing housing stainless steel plate size 77x67mm hole distance 61.5x51.5mm capacity 100kg bearing slide bearing wheel body polypropylene tread TPE tyres H 160mm wheel width 32mm -20 up to +60°C Qty 1 pcs		


¹hole distance 56x46.5 - 61.5x51



1

Part No.	700248 ¹	Ref. No.	3000598
description	swivel castor without brake ø 160mm plate fixing housing stainless steel plate size 140x110mm hole distance 105x75mm capacity 300kg bearing precision ball bearing, sealed wheel body polyamide tread TPE tyres H 200mm wheel width 46mm -20 up to +80°C Qty 1 pcs		


¹hole distance 105x75 - 105x80



1

Part No.	700265 ^{1,2}	Ref. No.	00004977
description	swivel castor ø 125mm plate fixing housing stainless steel plate size 77x67mm hole distance 61.5x51.5mm capacity 100kg bearing slide bearing wheel body polypropylene tread TPE tyres H 160mm wheel width 32mm -20 up to +60°C Qty 1 pcs		


¹with swivel brake ²hole distance 56x46.5 - 61.5x51



1

Part No.	700261 ¹	Ref. No.	00029552
description	swivel castor ø 200mm plate fixing housing stainless steel plate size 140x110mm hole distance 105x75mm capacity 400kg bearing precision ball bearing, sealed wheel body polyamide tread TPE tyres H 240mm wheel width 46mm -20 up to +80°C Qty 1 pcs		

¹hole distance 105x75 - 105x80




1

Part No.	700263 ¹	Ref. No.	00029551
description	swivel castor ø 200mm plate fixing housing stainless steel plate size 140x110mm hole distance 105x75mm capacity 400kg bearing precision ball bearing, sealed wheel body polyamide tread TPE tyres H 240mm wheel width 46mm -20 up to +80°C Qty 1 pcs		


¹hole distance 105x75 - 105x80




			
1			
Part No.	700262 ^{1,2}	Ref. No.	00029738
description	swivel castor with swivel brake ø 200mm plate fixing housing stainless steel plate size 140x110mm hole distance 105x75mm capacity 400kg bearing precision ball bearing, sealed wheel body polyamide tread TPE tyres H 240mm wheel width 46mm -20 up to +80°C		

¹hole distance 105x75 - 105x80 ²with swivel brake


with spigot
stainless steel


			
1			
Part No.	700245	Ref. No.	3000586
description	swivel castor ø 125mm spigot housing stainless steel capacity 100kg spigot hight 62mm spigot-ø 10mm bearing slide bearing wheel body polypropylene tread TPE tyres H 160mm wheel width 32mm -20 up to +60°C Qty 1 pcs		

			
1			
Part No.	700246 ¹	Ref. No.	3000589
description	swivel castor with swivel brake ø 125mm spigot housing stainless steel capacity 100kg spigot hight 62mm spigot-ø 10mm bearing slide bearing wheel body polypropylene tread TPE tyres H 160mm wheel width 32mm -20 up to +60°C Qty 1 pcs		

¹with swivel brake

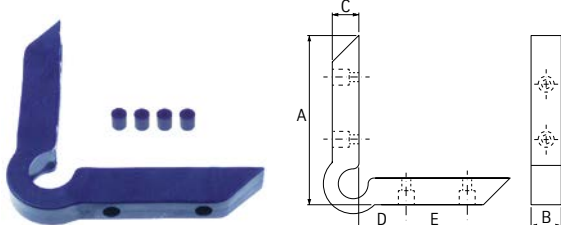
plastic

			
1			
Part No.	700302	Ref. No.	00000696
description	swivel castor ø 125mm spigot housing plastic capacity 100kg spigot hight 62mm spigot-ø 18mm bearing ball bearing wheel body polypropylene tread TPE tyres H 162mm wheel width 32mm -20 up to +60°C Qty 1 pcs		

			
1			
Part No.	700303 ¹	Ref. No.	00000697
description	swivel castor with swivel brake ø 125mm spigot housing plastic capacity 100kg spigot hight 62mm spigot-ø 18mm bearing ball bearing wheel body polypropylene tread TPE tyres H 162mm wheel width 32mm -20 up to +60°C Qty 1 pcs		

¹with swivel brake

bumper angles


			
1			
Part No.	690154	Ref. No.	3000555, 292060
description	bumper angle outer length 158mm inner length 130mm W 25mm H 23mm mounting distance 56mm hole distance 35mm hole ø 6mm plastic blue		

hose reels and spray guns

cleaning guns

spare parts and accessories

hose connectors

			
1			
Part No.	540474	Ref. No.	3000506
description	hose connector nickel-plated brass straight thread 1/2" hose ø 19mm Qty 1 pcs		

fittings, hose and pipe connectors

hose connectors

brass

			
1			
Part No.	540474	Ref. No.	3000506
description	hose connector nickel-plated brass straight thread 1/2" hose ø 19mm Qty 1 pcs		



valves and tank inlets


ball valves

universal

mini ball valves



1

Part No.	520296	Ref. No.	3000500
description	ball valve connection 1/2" IT - 1/2" IT DN10 total length 47mm chrome-plated brass		
accessories for	520296		
	Part No.	515040	Ref. No. —
	drain fitting size 1/2" usable heightmm overall height 16mm ED ø 28mm chrome-plated brass		

GASTROPARTS.COM

