



**GASTROPARTS**

# Izmak

- [EN]** Equipment
- [DE]** Geräte
- [ES]** Aparatos
- [FR]** Équipement
- [IT]** Attrezzature
- [PL]** Urządzenia
- [RU]** Оборудование

✉ [gastroparts@gastroparts.com](mailto:gastroparts@gastroparts.com)

☎ +48 56 657 00 66

📘 [fb.com/gastroparts.global](https://fb.com/gastroparts.global)

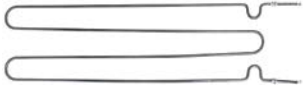
**GASTROPARTS.COM**







## heating elements

### heating elements for pizza ovens


 <p>1</p>			
<b>Part No.</b>	419122	<b>Ref. No.</b>	101013
<b>description</b>	heating element 1500W 230V L 890mm W 280mm thread M12x1.5 mounting distance 270mm connection length 110mm connection M4 tube ø 8mm heating circuits 1 dry heating element pizza oven		

### heating plates

 <p>1</p>			
<b>Part No.</b>	420053	<b>Ref. No.</b>	BMC140-038 SHELZR125000 SHELZR1250000
<b>description</b>	hot plate 1250W heating circuits 1 cable length 1100mm H 3mm L 390mm W 190mm		
<b>For models:</b>	SB-H155		


 <p>1</p>			
<b>Part No.</b>	418898	<b>Ref. No.</b>	BMC038 BMC107- heating element SHELZR1500000
<b>description</b>	hot plate 1500W cable length 1100mm H 3mm L 390mm W 370mm		

### foil heating elements

 <p>1</p>			
<b>Part No.</b>	420489	<b>Ref. No.</b>	SBHGN15Pos.20
<b>description</b>	foil heating element L 490mm W 290mm 1500W 230V with temperature limiter 140°C		

## thermostats


### control and safety thermostats

<p>EGO</p> <p>control thermostats</p> <p>55.10/19_ series</p>  <p>1</p>			
<b>Part No.</b>	375247	<b>Ref. No.</b>	101001
<b>description</b>	thermostat t.max. 500°C temperature range 75-500°C 1-pole 1N0 16A probe ø 4mm probe L 228mm capillary pipe 900mm capillary pipe isolatedmm gland nut shaft ø 6x4.6mm shaft L 23mm shaft position upper rotation 270°		


<p>55.17_ series</p>  <p>1</p>			
<b>Part No.</b>	390729	<b>Ref. No.</b>	SHELST01A100
<b>description</b>	thermostat t.max. 85°C 1-pole probe ø 6mm probe L 91mm capillary pipe 880mm capillary pipe isolatedmm gland nut shaft ø 6x4.6mm shaft L 16mm		
<b>For models:</b>	SB-H155		

## switches and momentary switches



### rocker/momentary rocker switches

<p>30x11mm</p>  <p>1</p>			
<b>Part No.</b>	301038	<b>Ref. No.</b>	SHELWAYA100
<b>description</b>	rocker switch mounting measurements 30x11mm green 1N0/indicator light 250V 16A connection male faston 6.3mm		
<b>For models:</b>	SB-C155, SB-H155		




			
1			
<b>Part No.</b>	301039	<b>Ref. No.</b>	101004
<b>description</b>	rocker switch mounting measurements 30x11mm red 1NO/indicator light 250V 16A connection male faston 6.3mm		

30x22mm

			
1			
<b>Part No.</b>	301062	<b>Ref. No.</b>	BMC-026 SHELSONA100
<b>description</b>	rocker switch mounting measurements 30x22mm green 2NO 250V 16A illuminated connection male faston 6.3mm ambient temperature max. 100/55°C protection IP40		
<b>For models:</b>	SB-C155, SB-H155		
<b>accessories for</b>	301062		
	<b>Part No.</b>	301036	<b>Ref. No.</b> —
	protective cover internal size 30x22mm for rocker switch mounting measurementsmm		

## rotary switches

LEGRAND

			
1			
<b>Part No.</b>	347597	<b>Ref. No.</b>	101005
<b>description</b>			


## lamps

## indicator lights

## indicator lights (complete)

ø10mm


with screw socket

			
1			
<b>Part No.</b>	360481	<b>Ref. No.</b>	101003 SHELSLYA100
<b>description</b>	indicator light ø 10mm 250V green cable length 300mm socket screw base		
<b>For models:</b>	SB-C155, SB-H155		

## screw-on/push-on fit

## light bulbs

## for ovens

			
1			
<b>Part No.</b>	359612	<b>Ref. No.</b>	101010
<b>description</b>	light bulb t.max. 300°C socket E14 25W 230V ø 25mm L 56mm lens L 30mm for oven lamp type Philips		


## fluorescent lamps

## fluorescent lamps

## complete with holder

			
1			
<b>Part No.</b>	357115	<b>Ref. No.</b>	SHELAR36A100
<b>description</b>	fluorescent lamp L 1224mm W 23mm 28W 220/240V type TCH128 1xTL5-28W/830 HF		
<b>For models:</b>	SB-C155, SB-H155		

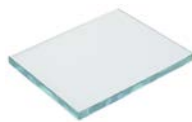
			
1			
<b>Part No.</b>	368000	<b>Ref. No.</b>	SLD-180-Pos.4+SLD-180-Pos.1
<b>description</b>	fluorescent lamp L 1755mm W 95mm 28W 230V complete		

			
1			
<b>Part No.</b>	357028	<b>Ref. No.</b>	BMC+SLD-001 SB-C-GN220-004 SHELAR36A100
<b>description</b>	fluorescent lamp socket T8 L 1280mm W 35mm 36W ø 33.5mm 230V complete incl. holder		


## oven lamps


## producer-specific oven lamps

## IZMAK

			
1			
<b>Part No.</b>	694500	<b>Ref. No.</b>	101012
<b>description</b>	glass panel L 85mm W 85mm thickness 5mm		



			
1			
<b>Part No.</b>	357098	<b>Ref. No.</b>	101011
<b>description</b>	lamp socket L 150mm socket E14 H 45mm mounting distance 124mm		

lamps			
light bulbs			
			
1			
<b>Part No.</b>	359612	<b>Ref. No.</b>	101010
<b>description</b>	light bulb t.max. 300°C socket E14 25W 230V ø 25mm L 56mm lens L 30mm for oven lamp type Philips		

## electronic controllers

### DIXELL

refrigeration controllers			
built-in version			
			
1			
<b>Part No.</b>	378267	<b>Ref. No.</b>	6234.00009.28 PRC/153/POS82 PR-C153-082 PR-C200-082 SLD-026
<b>description</b>	electronic controller DIXELL XR02CX-5N0C1 mounting measurements 71x29mm built-in depth 56mm 230V voltage AC NTC relay outputs 1 NO-20A(8) NTC DI protection IP54 defrosting function/time control -40 up to +110°C display 2½ digit		
<b>For models:</b>	PR-C153, PR-C200		
<b>accessories for</b>	378267		
	<b>Part No.</b>	379161	<b>Ref. No.</b> —
	temperature probe NTC 10kOhm cable thermoplastic probe -40 up to +110°C cable -40 up to +110°C probe ø6x14mm cable length 3m without screw connection 2-wire		
	<b>Part No.</b>	381249	<b>Ref. No.</b> —
	temperature probe NTC 10kOhm cable PVC probe -40 up to +110°C cable -10 up to 100°C connection 2-wire thread probe ø6x14mm cable length 3m		

## compressors

### EMBRACO / ASPERA

R134A

LBP monophase

Lower evaporation temperature below -20°C

			
1			
<b>Part No.</b>	605129	<b>Ref. No.</b>	PR-C153-072 PR-C200-072 SHSGKM0104A2
<b>description</b>	compressor coolant R134a type FF 8.5HBK 220-240V 50Hz LMBP cylinder capacity 7.95cm³		
<b>For models:</b>	PR-C153, PR-C200, SB-C155		

## fans

### axial fans

#### import

			
1			
<b>Part No.</b>	601604 <sup>1</sup>	<b>Ref. No.</b>	PR-C153-057 PR-C200-057 SLD-030
<b>description</b>	axial fan L 119mm W 119mm H 38mm 230VAC 50/60Hz 17/15W bearing slide bearing manuf. no. AA1282HS-AT connection cable 300mm fan wheel ø 110mm temp.-resist. 70°C input current 0.1A airflow 130m³/h 2600rpm		
<b>For models:</b>	PR-C153, PR-C200		

<sup>1</sup>with slide bearings



## refrigeration fans


## refrigeration motors universal

ELCO

N series - standard



1

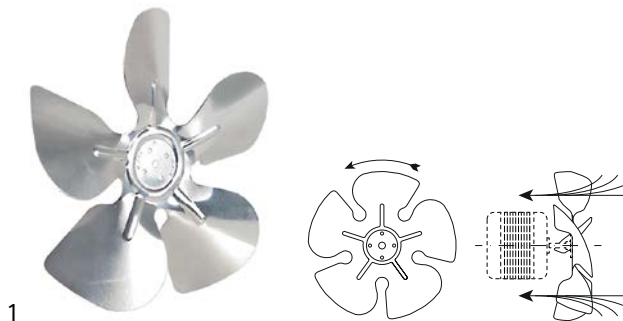
<b>Part No.</b>	601966 <sup>1</sup>	<b>Ref. No.</b>	PR-C153-068
<b>description</b>	fan motor ELCO 18W 230V 50/60Hz bearing slide bearing L1 91mm L2 83mm L3mm W 83mm cable lengthmm 1300/1550rpm 5 mounting options VNT18-30/517		
<b>For models:</b>	PR-C153		
<b>accessories for</b>	601966		
	<b>Part No.</b>	<b>Ref. No.</b>	—
	601892		connector cable ELCO cable length 1500mm 0.75mm <sup>2</sup> protection IP42 for Plug-In

<sup>1</sup>with coded connector

## accessories

## fan wheels

## aluminium



1

<b>Part No.</b>	601284	<b>Ref. No.</b>	PR-C153-066 PR-C200-066 SLD-033
<b>description</b>	fan wheel sucking ø 254mm fan wheel mounting 25.4mm blade angle 28° W 42mm aluminium		
<b>For models:</b>	PR-C153, PR-C200		

## cooling motors (complete)



1

<b>Part No.</b>	601702	<b>Ref. No.</b>	SHSGFM53A100
<b>description</b>	fan 230V 10W 50Hz fan wheel ø 254mm feet depth 84mm blade angle 28°		
<b>For models:</b>	SB-C155		

## cooling motors (various)

## refrigeration motors with foot



1

<b>Part No.</b>	601703	<b>Ref. No.</b>	PR-C200-068 SLD-032
<b>description</b>	fan motor 10W 230V 50Hz feet depth 84mm cable length 500mm		
<b>For models:</b>	PR-C200		

## equipment-specific units

## for pizza ovens

## glass panels



1

<b>Part No.</b>	694501	<b>Ref. No.</b>	101006
<b>description</b>	glass panel L 525mm W 130mm thickness 5mm		



firebricks



1

<b>Part No.</b>	850122	<b>Ref. No.</b>	101020 PB-T 2620 fire brick
<b>description</b>	firebrick L 600mm W 300mm H 18-22mm delivery freight forwarding company only		

door bearing




1

<b>Part No.</b>	700981	<b>Ref. No.</b>	PR-C153-093 PR-C200-093 SLD-024
<b>description</b>	bush H 17mm mounting pos. lower ø 12mm ID ø 8mm grey for door hinge		
<b>For models:</b>	PR-C153, PR-C200		

knobs


producer-specific knobs

IZMAK



1

<b>Part No.</b>	112630	<b>Ref. No.</b>	SHELSTWTHA100
<b>description</b>	knob t.max. 90°C 30-90°C ø 43.5mm shaft ø 6x4.6mm shaft flat right black		
<b>For models:</b>	SB-C155, SB-H155		




1

<b>Part No.</b>	700997	<b>Ref. No.</b>	PR-C153-021 PR-C200-021
<b>description</b>	hinge L 40mm W 39mm H 18mm mounting pos. left/right upper set		
<b>For models:</b>	PR-C153, PR-C200		



1

<b>Part No.</b>	111452	<b>Ref. No.</b>	101002
<b>description</b>	knob zero mark ø 53mm shaft ø 6x4.6mm shaft flat upper red/black		



1

<b>Part No.</b>	700983	<b>Ref. No.</b>	PR-C153-022 PR-C200-022
<b>description</b>	hinge L 73mm W 40mm H 17mm mounting pos. bottom right thickness 3mm		
<b>For models:</b>	PR-C153, PR-C200		

hinges

spring assisted hinges


producer-specific

IZMAK



1

<b>Part No.</b>	700980	<b>Ref. No.</b>	PRC153/POS30 PR-C153-030 PR-C200-030 SLD-023
<b>description</b>	spring assisted hinge left/right L 81mm W 25mm H 116mm for door mounting distance 30mm		
<b>For models:</b>	PR-C153, PR-C200		



1

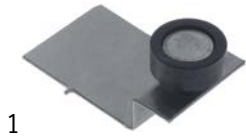
<b>Part No.</b>	700982	<b>Ref. No.</b>	PR-C153-036 PR-C200-036
<b>description</b>	hinge L 73mm W 40mm mounting pos. bottom left thickness 3mm		
<b>For models:</b>	PR-C153, PR-C200		



## pullouts

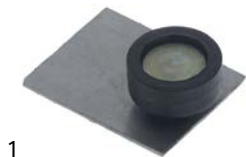
### rollers

#### roller with holder



1

<b>Part No.</b>	692153	<b>Ref. No.</b>	BMC-016
<b>description</b>	roller rollerø 20mm B1 8mm SS mounting pos. front-rear bearing slide bearing Qty 2 pcs H 13mm L 54mm tread plastic mounting distancecmm		



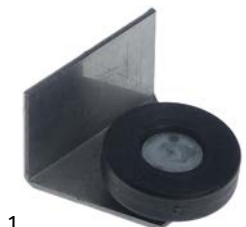
1

<b>Part No.</b>	692154	<b>Ref. No.</b>	BMC-017
<b>description</b>	roller rollerø 20mm B1 8mm SS mounting pos. rear-lower bearing slide bearing Qty 2 pcs L 41mm tread plastic mounting distancecmm		



1

<b>Part No.</b>	692151	<b>Ref. No.</b>	BMC-014
<b>description</b>	roller rollerø 30mm B1 8mm SS/plastic mounting pos. front-upper bearing slide bearing Qty 1 pcs H 12mm L 35mm mounting distancecmm		



1

<b>Part No.</b>	692152	<b>Ref. No.</b>	BMC-015
<b>description</b>	roller rollerø 30mm B1 8mm SS/plastic mounting pos. rear-upper bearing slide bearing Qty 2 pcs H 27mm L 32mm tread plastic mounting distancecmm		

## equipment feet and end caps

### equipment feet

#### with fixing plate



1

<b>Part No.</b>	701007	<b>Ref. No.</b>	PR-C153-035 PR-C200-035
<b>description</b>	equipment foot tube ø 64mm plate size 82x82mm hole distance 68x68mm H 100-150mm SS size 2 1/2" Qty 1 pcs		
<b>For models:</b>	PR-C153, PR-C200		

### miscellaneous

#### with fixing plate

##### ø100mm



1

<b>Part No.</b>	700978	<b>Ref. No.</b>	SHSMTKFR0100
<b>description</b>	swivel castor ø 100mm plates fixing 70x80mm hole distance 50/60mm bearing ball bearing H 135mm wheel width 31.5mm		
<b>For models:</b>	SB-C155, SB-H155		



1

<b>Part No.</b>	700979	<b>Ref. No.</b>	SHSMTKFZ0100
<b>description</b>	swivel castor with swivel brake ø 100mm plates fixing 70x80mm hole distance 50/60mm bearing ball bearing H 135mm wheel width 31mm		
<b>For models:</b>	SB-C155, SB-H155		





## shelves and shelf rails

### grates

#### universal

#### without upstand



1

**Part No.** 970726 **Ref. No.** SL-D140-016

**description** grate W 325mm D 530mm H 10mm plastic-coated steel wire gauge frame 6.6mm lengthwise wires gauge 4.6mm crossing wires 1 grey suitable for SL-D



1

**Part No.** 970725 **Ref. No.** PR-C153-094  
PR-C200-094

**description** grate W 400mm D 630mm H 10mm plastic-coated steel wire gauge frame 6.6mm lengthwise wires gauge 4.5mm crossing wires 1 grey suitable for PRC153

**For models:** PR-C153, PR-C200

### shelf rails and supports

#### producer-specific



1

**Part No.** 700986 **Ref. No.** PR-C153-088  
PR-C200-088

**description** guide L-shape L 635mm W 18.5mm H 26mm mounting pos. left

**For models:** PR-C153, PR-C200



1

**Part No.** 700987 **Ref. No.** PR-C153-089  
PR-C200-089

**description** guide L-shape L 635mm W 18.5mm H 26mm mounting pos. right

**For models:** PR-C153, PR-C200



1

**Part No.** 700984 **Ref. No.** SLD-014

**description** guide U-shape L 535mm W 13.5mm inner height 24mm mounting pos. left



1

**Part No.** 700985 **Ref. No.** SLD-015

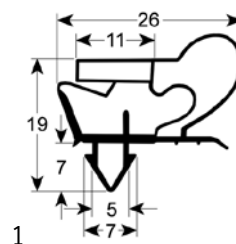
**description** guide U-shape L 535mm W 13.5mm inner height 24mm mounting pos. right

## gaskets

### refrigeration gaskets

#### plug-in gaskets

#### profile 9049



1

**Part No.** 901283 **Ref. No.** SLD-020

**description** refrigeration gasket profile 9049 W 418mm L 642mm plug size SL-D





<b>Part No.</b>	901284	<b>Ref. No.</b>	PRC153/POS26 PR-C153-026 PR-C200-026
<b>description</b>	refrigeration gasket profile 9049 W 475mm L 640mm plug size PRC153		
<b>For models:</b>	PR-C153, PR-C200		

## evaporators

for fridges

producer-specific

<b>Part No.</b>	750296	<b>Ref. No.</b>	PR-C153-058 PR-C200-058
<b>description</b>	evaporator L 300mm W 75mm H 184mm		
<b>For models:</b>	PR-C153, PR-C200		

<b>Part No.</b>	750389	<b>Ref. No.</b>	Evaporator set for PRC153 PR-C153-057-058-071
<b>description</b>	evaporator L 420mm W 395mm H 90mm		

## condensers

condensers

<b>Part No.</b>	750297	<b>Ref. No.</b>	PR-C153-052 PR-C200-052 SHSGKD0103A1
<b>description</b>	condenser W 335mm D 100mm H 290mm		
<b>For models:</b>	PR-C153, PR-C200, SB-C155		

## springs

torsion springs

<b>Part No.</b>	696497	<b>Ref. No.</b>	LID SPRING FOR PB-T 2920
<b>description</b>	door spring		



## valves and tank inlets

### ball valves

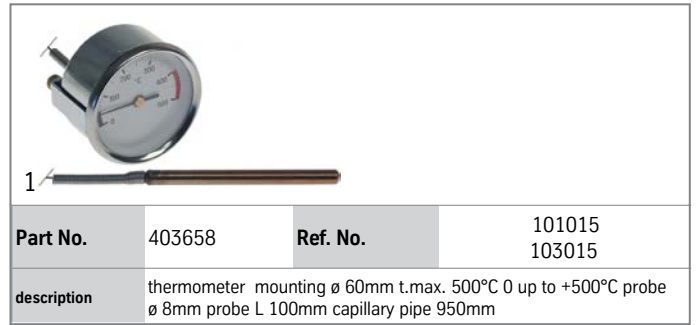
#### universal

#### ball valves with lever handle



1

<b>Part No.</b>	520281	<b>Ref. No.</b>	BMC-039 SHGMVN0304A1
<b>description</b>	ball valve connection 3/4" IT - 3/4" IT DN20 total length 56mm with lever handle handle length 87mm		
<b>For models:</b>	SB-C155, SB-H155		



1

<b>Part No.</b>	403658	<b>Ref. No.</b>	101015 103015
<b>description</b>	thermometer mounting ø 60mm t.max. 500°C 0 up to +500°C probe ø 8mm probe L 100mm capillary pipe 950mm		

## measuring equipment

### thermometers

#### built-in thermometers

#### ø60mm



1

<b>Part No.</b>	403636	<b>Ref. No.</b>	101016
<b>description</b>	thermometer mounting ø 60mm t.max. 500°C 0 up to +500°C probe ø 10mm probe L 55mm capillary pipe 600mm		

**GASTRO**PARTS.COM

