



GASTROPARTS

Irinox

- [EN]** Equipment
- [DE]** Geräte
- [ES]** Aparatos
- [FR]** Équipement
- [IT]** Attrezzature
- [PL]** Urządzenia
- [RU]** Оборудование

✉ gastroparts@gastroparts.com

☎ +48 56 657 00 66

📘 fb.com/gastroparts.global


GASTROPARTS.COM





switches and momentary switches


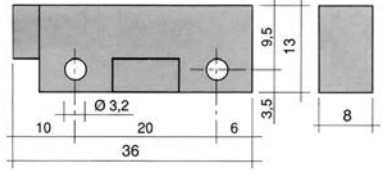
proximity switches

			
1			
Part No.	348140	Ref. No.	3805020
description	proximity switch probe L 30mm cable length 2940mm M12x1		

magnetic switches


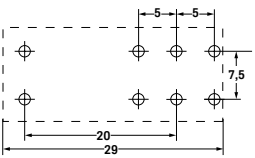
accessories

magnets




 			
1			
Part No.	345398	Ref. No.	3240150
description	magnet ømm L 36mm H 8mm W 13mm hole distance 20mm M3 hole ø 3mm		

relays

plug-in/print relays

 			
1			
Part No.	381151	Ref. No.	3320320
description	print relay 24VAC 2CO 2-pole at 250V 8A connection pins raster size 5mm FINDER manuf. no. 40.52.8.024.0000 95.65/95.75		


relay sockets


 			
1			
Part No.	381181	Ref. No.	3320300
description	relay socket 2-pole 40.51/40.52/40.61 connection screw clamp dimensions 15.8x78.6mm 250V voltage AC 10A FINDER manuf. no. 95.75		
accessories for	381181		
		Part No.	381455
	support bracket	Ref. No.	—

probes


producer-specific probes

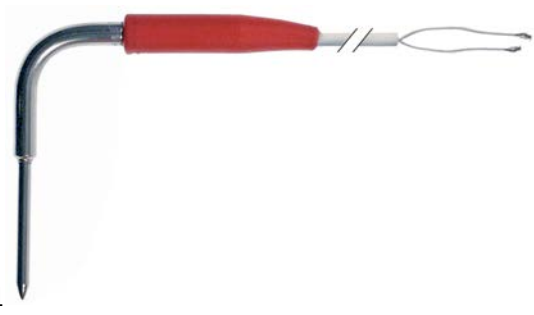
probes


			
1			
Part No.	378529	Ref. No.	3805520
description	core temperature probe Pt1000 cable silicone probe -40 up to +120°C cable -40 up to +180°C connection 2-wire thread probe ø5x85mm cable length 4.5m		

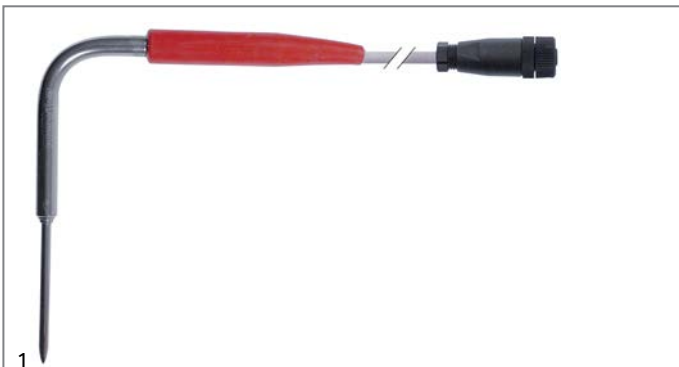
			
1			
Part No.	389006	Ref. No.	3805050
description	temperature probe Pt100 cable silicone probe -100 up to 450°C connection 2-wire thread M6 probe ø5x12mm cable length 3.3m		

core probes

			
1			
Part No.	378649	Ref. No.	3805060 3805061
description	core temperature probe Pt100 cable silicone connection 2-wire cable length 4.5m handle length 150mm		

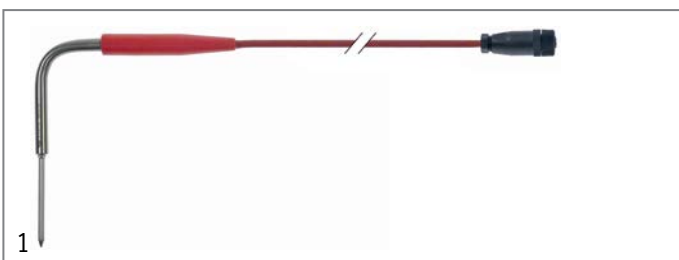
			
1			
Part No.	378237	Ref. No.	3803051
description	core temperature probe Pt100 cable silicone probe -40 up to +120°C cable -50 up to +180°C connection 2-wire probe ø3.5x35mm thread cable length 1.7m handle ø 6mm handle length 120mm L1 70mm L2 35mm		
For models:	A3		

			
1			
Part No.	379755	Ref. No.	3801050
description	core temperature probe Pt100 cable silicone probe -40 up to +120°C cable -50 up to +180°C connection 3-wire probe ø4x100mm thread cable length 1.9m handle ø 12mm handle length 98mm		


1

Part No.	378238	Ref. No.	3805010
description	core temperature probe Pt100 cable silicone probe -40 up to +120°C cable -50 up to +180°C connection plug probe ø4.5x70mm thread cable length 1.3m handle ø 10mm handle length 120mm L1 150mm L2 85mm		



1

Part No.	379747	Ref. No.	3805030
description	core temperature probe Pt100 cable silicone probe -40 up to +120°C cable -50 up to +180°C connection plug probe ø5x85mm thread cable length 1.3m handle ø 16mm handle length 100mm		

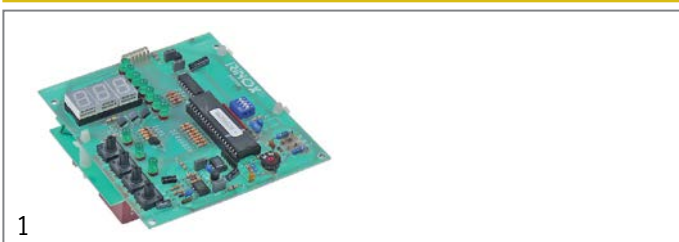


1

Part No.	379543	Ref. No.	3801020
description	core temperature probe Pt1000 cable silicone probe -40 up to +120°C cable -50 up to +180°C connection 2-wire probe ø6x100mm thread cable length 1.5m handle ø 12mm handle length 100mm		


electronics

PCBs




1

Part No.	401819	Ref. No.	3600500
description	keypad PCB		



1

Part No.	401821	Ref. No.	3600570
description	keypad PCB blast freezer A3		
For models:	A3		

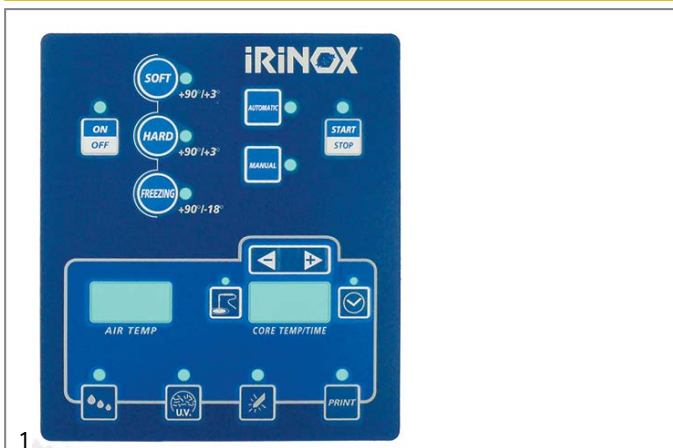


1

Part No.	401820	Ref. No.	3600501 3600502
description	keypad PCB no probe		

keypads

front foils



1

Part No.	403704	Ref. No.	4300000150
description	front foil blast freezer HC 142/70		

solenoïd valves


solenoïd valves (refrigeration)

CASTEL

valve bodies

STANDARD series

suitable for refrigerants R22, R134a, R404A, R407C, R410A, R507



1






Part No.	370386	Ref. No.	2340358	
description	solenoïd valve body NC type 1078/5S p max 45bar connection 16mm soldering connection DN 12.5mm -35 up to +105°C L 175mm refrigeration straight CASTEL			
accessories for	370386			
	Part No.	371084	Ref. No.	—
	solenoïd coil CASTEL 230VAC 8VA 50/60Hz connection cable 1000mm type CM2			
	Part No.	371090	Ref. No.	—
	power socket plug type DIN 43650A screw			

Table continues overleaf




accessories for	370386		
	Part No.	371301	Ref. No. —
	solenoid coil CASTEL 110VAC 8VA 50/60Hz seat ø 11.5mm connection DIN 43650A type HF2		
	Part No.	371314	Ref. No. —
	solenoid coil CASTEL 240VAC 8VA 50/60Hz seat ø 11.5mm		
	Part No.	371321	Ref. No. —
	solenoid coil CASTEL 12/24VAC 50/60Hz seat ø 11.5mm connection DIN 43650A type HF2		

spare parts and accessories			
	1		
Part No.	371042	Ref. No.	2341023
description	solenoid coil CASTEL 24VAC 8VA 50/60Hz seat ø 11.5mm connection DIN 43650A type HM2		
accessories for	371042		
	Part No.	371090	Ref. No. —
	power socket plug type DIN 43650A screw		
	Part No.	371092	Ref. No. —
	power socket plug type DIN large cable length 1000mm		

pressure switches

for refrigeration

SAGI NO MIYA			
	1		
Part No.	541613	Ref. No.	23421101
description	pressure control p max 45bar type ACB-2UC85W switch-off pressure 25bar switch-on pressure 20bar		

compressors

/ ASPERA

R404a/R507

LBP monophase

Lower evaporation temperature below -20°C

	1		
Part No.	605186	Ref. No.	2500143
description	compressor coolant R404a/R507 type NEK2150GK 220-240V 50Hz LBP 11.6kg 1/2HP cylinder capacity 12.12cm³ CSIR H 206mm 408W 522W 657W 814W 995WWWWW test method EN 12900		

	1		
Part No.	605164	Ref. No.	2500135
description	compressor coolant R404a/R507 type NT2178GK 220-240V 50Hz LBP 17kg 1HP cylinder capacity 17.4cm³ CSR H 220mm 442W 610W 808W 1032W 1285W 1565WWWWW		

	1		
Part No.	605078	Ref. No.	2500132
description	compressor coolant R404a/R507 type NT2180GK 220-240V 50Hz LBP fully hermetic 17.3kg 1HP cylinder capacity 20.44cm³ CSIR H 221mm 515W 598W 682W 769W 859W 956WWWWW test method ASHRAE		



L'UNITE HERMETIQUE / TECUMSEH

R404A

LBP monophase

Lower evaporation temperature below -20°C



Part No.	605136	Ref. No.	2500960
description	compressor coolant R404A type CAJ2464Z 220-240V 50Hz LBP fully hermetic 21.5kg 1.5HP cylinder capacity 34.5cm ³ CSR H 282mm 1108W 1579W 1850W 2317W 2855WWWWW test method EN 12900 820W		

SECOP DANFOSS

R404a/R507

LBP monophase


Lower evaporation temperature below -20°C



Part No.	605058	Ref. No.	2500026
description	compressor coolant R404a/R507 type SC15CL 220-240V 50Hz LBP fully hermetic 13.8kg 1/2HP cylinder capacity 15.28cm ³ CSIR H 219mm 486W 637W 813W 1017W 1251W 1699WWWWW test method ASHRAE 175W 358W		

For models: A3

spare parts for

Part No.	380058	Ref. No.	—
	start relay DANFOSS 117U6019/F278 HST		

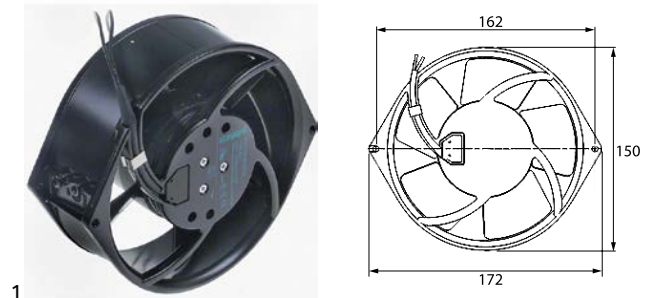


Part No.	605056	Ref. No.	2500027
description	compressor coolant R404a/R507 type SC18CLX.2 220-240V 50Hz LBP fully hermetic 13.7kg 5/8HP cylinder capacity 17.69cm ³ CSR H 219mm 562W 691W 881W 1095W 1332W 1593WWWWW test method ASHRAE		
spare parts for	605056		
Part No.	381548	Ref. No.	—
	start relay DANFOSS		

fans

axial fans

ebm-papst



Part No.	601631 ¹	Ref. No.	270370000
description	axial fan L 172mm W 150mm H 55mm 230VAC 50Hz 47W bearing ball bearing connection cable 330mm manuf. no. 7450ES ebm-papst		

¹with ball bearings

refrigeration fans

cold air circulating fans (complete)

ebm-papst

A2E series

1

Part No.	601535	Ref. No.	270222500
description	fan A2E200-AH38-01 fan wheel ø 200mm blades 9 230V 60Hz 78W 2600rpm cable length 450mm ebm-papst sucking suitable capacitor 1.5µF		
For models:	A3		
spare parts for	601535		
	Part No.	365008	Ref. No. —
	operating capacitor capacity 1.5µF 400V tolerance 5% 50/60Hz ambient temperature max. -25 to +85°C ø 25mm L 75mm M8 aluminium connection cable 300mm MKP protection IP65		

A3G series

1

Part No.	602050	Ref. No.	270343010
description	fan A3G300-AH13-10 fan wheel ø 300mm blades 5 230V 50/60Hz 77W 1640rpm connection cable 3000mm sucking		

A4E series

1


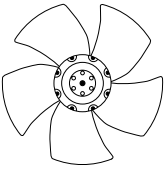
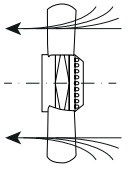
Part No.	601684	Ref. No.	270343005
description	fan A4E350-AA06-54 fan wheel ø 350mm blades 5 230V 50/60Hz 145W 1380/1540rpm cable length 450mm ebm-papst blowing suitable capacitor 5µF/400VµF		

1


Part No.	601618	Ref. No.	270222504
description	fan A4E250-AA04-01 fan wheel ø 250mm blades 5 230V 50Hz 32W 1420rpm cable length 300mm ebm-papst sucking suitable capacitor 1µF		
accessories for	601618		
	Part No.	601954	Ref. No. 2783100
	guard ebm-papst for fan wheel ø 250mm ø 280mm hole distance 300mm H 55mm		

1


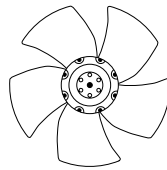
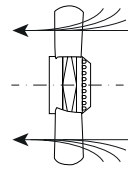
Part No.	601621	Ref. No.	270233124
description	fan A4E315-AA05-01 fan wheel ø 315mm blades 5 230V 50Hz 148W 1490rpm cable length 450mm ebm-papst sucking suitable capacitor 3µF with capacitor		
spare parts for	601621		
	Part No.	365137	Ref. No. 2781020
	capacitor capacity 3µF 450V tolerance 5% 50/60Hz ambient temperature max. -25 to +85°C ø 25mm L 56mm M8 plastic connection cable 250mm 416.17.77GF protection		
accessories for	601621		
	Part No.	602087	Ref. No. —
	guard ebm-papst for fan wheel ø 310mm ø 340mm hole distance 270mm H 80mm		


1


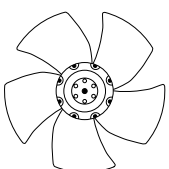
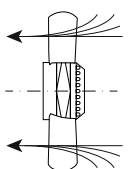
Part No.	601623	Ref. No.	270223125
description	fan A4E315-AC08-19 fan wheel ø 315mm blades 5 230V 50Hz 95W 1370rpm cable length 450mm ebm-papst sucking suitable capacitor 3µF		
accessories for	601623		
	Part No.	Ref. No.	2781020
	capacitor capacity 3µF 450V tolerance 5% 50/60Hz ambient temperature max. -25 to +85°C ø 25mm L 56mm M8 plastic connection cable 250mm 416.17.77GF protection		

R2E series

1

Part No.	601536	Ref. No.	27450100
description	fan R2E190-A026-73 fan wheel ø 190mm blades 6 230V 50/60Hz 58/75W ø 190mm H 70mm 2700rpm cable length 450mm rotation direction right ebm-papst sucking suitable capacitor 2µF		
spare parts for	601536		
	Part No.	Ref. No.	—
	capacitor capacity 2µF 425V tolerance 5% 50/60Hz ambient temperature max. -25 to +85°C ø 25mm L 49mm M8 plastic connection cable 250mm 416.17.74 protection		

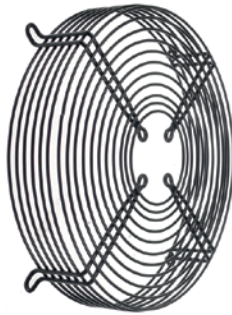




1

Part No.	601625	Ref. No.	270223310
description	fan A4E330-AP18-01 fan wheel ø 330mm blades 5 230V 50Hz 110W 1400rpm cable length 450mm ebm-papst sucking suitable capacitor 4µF		


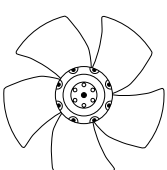
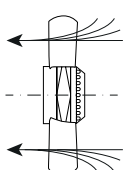
accessories

fan guards




1

Part No.	601954	Ref. No.	2783100
description	guard ebm-papst for fan wheel ø 250mm ø 280mm hole distance 300mm H 55mm		


1

Part No.	601626	Ref. No.	270223507
description	fan A4E350-AN19-01 fan wheel ø 350mm blades 5 230V 50Hz 158/200W 1270rpm cable length 450mm ebm-papst sucking suitable capacitor 4µF		
accessories for	601626		
	Part No.	Ref. No.	—
	guard ebm-papst for fan wheel ø 350mm ø 375mm hole distance 300mm H 80mm		

condensators & interference suppression filters

operating capacitors

plastic



1

Part No.	365137	Ref. No.	2781020
description	capacitor capacity 3µF 450V tolerance 5% 50/60Hz ambient temperature max. -25 to +85°C ø 25mm L 56mm M8 plastic connection cable 250mm 416.17.77GF protection		



locks

edgemount latches

door catches



1

Part No.	690123	Ref. No.	C221120
description	door catch with roller		

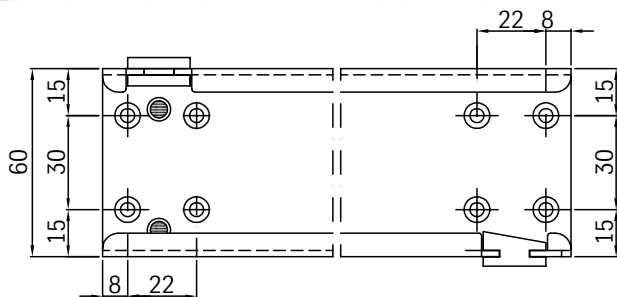
pullouts

drawer slides

universal

compeX

1



Part No.	696715	Ref. No.	18100198
description	drawer slide L 500mm pull-out length 490mm total length 990mm Qty 1 pair capacity 60kg H 60mm SS telescopic		

spare parts for 696715



Part No.	690750	Ref. No.	—
-----------------	--------	-----------------	---

stop for telescopic rail L 20mm plastic H 12mm D 9mm

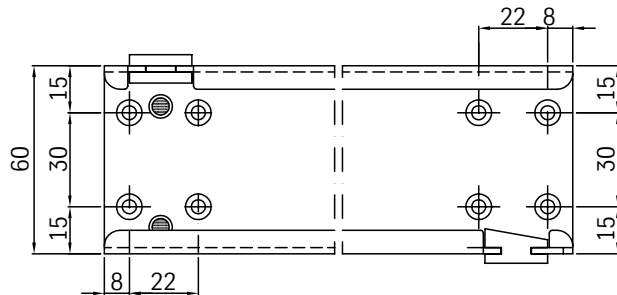


Part No.	696333	Ref. No.	—
-----------------	--------	-----------------	---

stop for telescopic rail L 20mm plastic H 15mm D 8mm

compeX

1



Part No.	696716	Ref. No.	18100201
-----------------	--------	-----------------	----------

description drawer slide L 550mm pull-out length 540mm total length 1090mm Qty 1 pair capacity 60kg H 60mm SS telescopic

spare parts for 696716



Part No.	690750	Ref. No.	—
-----------------	--------	-----------------	---

stop for telescopic rail L 20mm plastic H 12mm D 9mm



Part No.	696333	Ref. No.	—
-----------------	--------	-----------------	---

stop for telescopic rail L 20mm plastic H 15mm D 8mm

gaskets

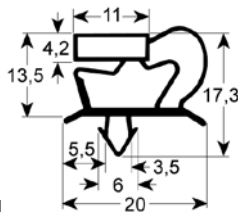
refrigeration gaskets

plug-in gaskets

profile 9048

We offer custom-made gaskets for this profile

1

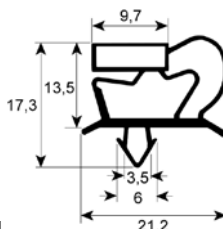


Part No.	901811	Ref. No.	1010520
-----------------	--------	-----------------	---------

description refrigeration gasket profile 9048 W 350mm L 490mm plug size

For models: A3

1



Part No.	901227	Ref. No.	1010102
-----------------	--------	-----------------	---------

description refrigeration gasket profile 9048 W 400mm L 660mm plug size for blast chiller



1

Part No.	901226	Ref. No.	1010100
description	refrigeration gasket profile 9048 W 401mm L 663mm plug size		

1

Part No.	900884	Ref. No.	1010101
description	refrigeration gasket profile 9048 W 406mm L 654mm plug size		

1

Part No.	901223	Ref. No.	1010120
description	refrigeration gasket profile 9048 W 697mm L 1053mm plug size for blast chiller		

1

Part No.	901224	Ref. No.	1010126
description	refrigeration gasket profile 9048 W 697mm L 822mm plug size for blast chiller		

1

Part No.	901225	Ref. No.	N/A
description	refrigeration gasket profile 9048 W 734mm L 908mm plug size for blast chiller		

1

Part No.	902205	Ref. No.	1010301
description	refrigeration gasket profile 9048 W 735mm L 1895mm plug size		

1

Part No.	902206	Ref. No.	1010181
description	refrigeration gasket profile 9048 W 860mm L 1920mm plug size		

1

Part No.	902258	Ref. No.	N/A
description	refrigeration gasket profile 9048 Wmm L 2500mm		

profile 9704

We offer custom-made gaskets for this profile

1

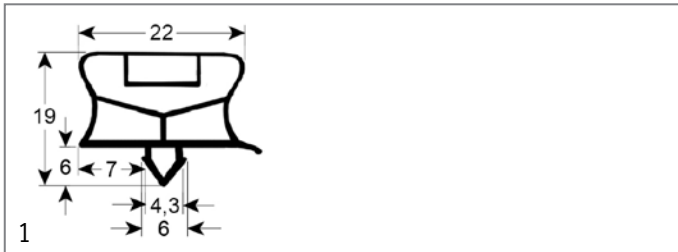
Part No.	902445	Ref. No.	1010355
description	refrigeration gasket profile 9704 W 740mm L 920mm plug size		

profile 9794

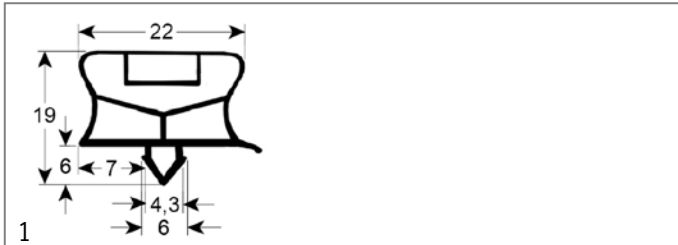
We offer custom-made gaskets for this profile

1

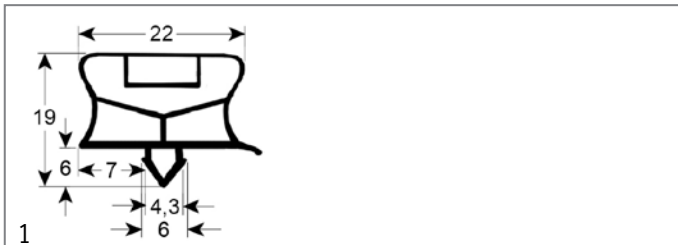
Part No.	902204	Ref. No.	1010103
description	refrigeration gasket profile 9794 W 420mm L 705mm plug size		



Part No.	902189	Ref. No.	1010127
description	refrigeration gasket profile 9794 W 703mm L 833mm plug size Qty 1		



Part No.	901335	Ref. No.	1010352
description	refrigeration gasket profile 9794 W 740mm L 920mm plug size		



Part No.	901628	Ref. No.	1011320
description	refrigeration gasket profile 9794 W 885mm L 1993mm plug size		

refrigeration cycle components

valves

expansion valves

DANFOSS

valves

type TX2/TEX2



Part No.	750011	Ref. No.	23600222
description	expansion valve DANFOSS type TEX2 coolant R22/R407c angled 90° thermostatically controlled inlet 3/8" SAE outlet 3/8" SAE 1/4" p max 34bar -40 up to +10°C capillary pipe 1500mm		

nozzle inserts



Part No.	750021	Ref. No.	2361000
description	nozzle insert size 00 type 068-2003 T/TE 2 DANFOSS		



Part No.	750022	Ref. No.	2361001
description	nozzle insert size 01 type 068-2010 T/TE 2 DANFOSS		



Part No.	750023	Ref. No.	2361002
description	nozzle insert size 02 type 068-2015 T/TE 2 DANFOSS		



Part No.	750024	Ref. No.	2361003
description	nozzle insert size 03 type 068-2006 T/TE 2 DANFOSS		



Part No.	750483	Ref. No.	2361004
description	nozzle insert size 04 type 068-2007 T2/TE2 DANFOSS		



Part No.	750484	Ref. No.	2361005
description	nozzle insert size 05 type 068-2008 T2/TE2 DANFOSS		



Part No.	750485	Ref. No.	2361006
description	nozzle insert size 06 type 068-2009 T2/TE2 DANFOSS		



filter driers

DANFOSS



1

Part No.	750031	Ref. No.	23310142
description	dryer connection 7/16" UNF (1/4" SAE) 41cm ³ p max 46bar -40 up to +70°C 202g type DML 032S size 3 cubic inches		
For models:	A3		

evaporators

for fridges

producer-specific



1

Part No.	750203	Ref. No.	40200010
description	evaporator L 430mm W 65mm H 350mm total length 500mm overall width 130mm overall height 350mm connection $\varnothing 7/\varnothing 15$ mm		

GASTROPARTS.COM

