



**GASTROPARTS**

# Inomak

**[EN]** Equipment

**[DE]** Geräte

**[ES]** Aparatos

**[FR]** Équipement

**[IT]** Attrezzature

**[PL]** Urządzenia

**[RU]** Оборудование

✉ [gastroparts@gastroparts.com](mailto:gastroparts@gastroparts.com)

☎ +48 56 657 00 66

📘 [fb.com/gastroparts.global](https://fb.com/gastroparts.global)

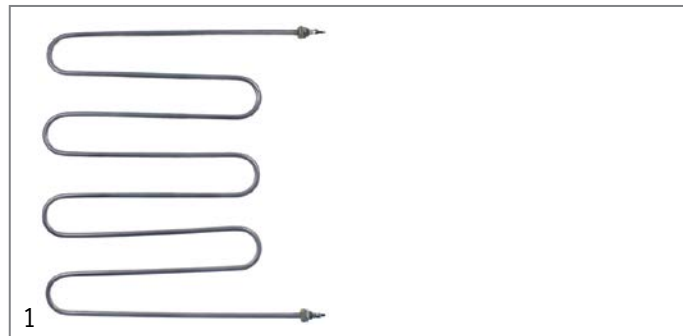
**GASTROPARTS.COM**





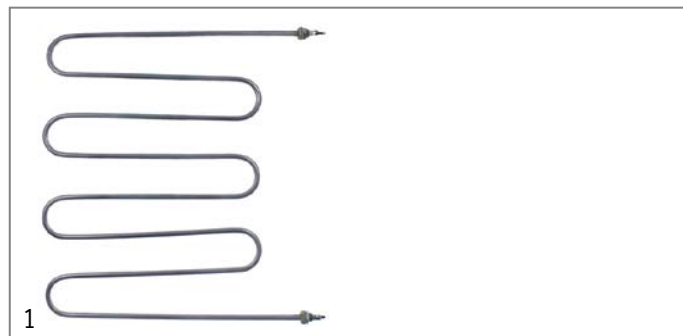




## heating elements

### heating elements for bain maries



<b>Part No.</b>	420033	<b>Ref. No.</b>	24500040100070 34500040100070 PAMP070
<b>description</b>	heating element 1300W 230V heating circuits 1 L 385mm W 440mm connection M4 tube ø 8.5mm thread 1/4" dry heating element bain marie mounting distance 432mm		
<b>For models:</b>	MD718, MF718, MH718, MI718		
<b>accessories for</b>	420033		
	<b>Part No.</b>	361182	<b>Ref. No.</b> —
	nut thread 1/4" H 5mm nickel-plated brass WS 17 Qty 1 pcs		
	<b>Part No.</b>	510417	<b>Ref. No.</b> —
	flat gasket fibre ED ø 20mm ID ø 14mm thickness 2mm Qty 1 pcs		
	<b>Part No.</b>	560340	<b>Ref. No.</b> —
	hexagonal nut thread M4 H 3.2mm WS 7 SS DIN/ISO DIN 934 / ISO 4032/8673 Qty 1 pcs		



<b>Part No.</b>	420032	<b>Ref. No.</b>	24500040100541 34500040100541 PAMP541
<b>description</b>	heating element 2000W 230V heating circuits 1 L 385mm W 440mm connection M4 tube ø 8.5mm thread 1/4" dry heating element bain marie mounting distance 432mm		
<b>For models:</b>	MA610, MA614, MA67, MB610, MB614, MB67, MD711, MD714, MF711, MF714, MH711, MH714, MI711, MI714		
<b>accessories for</b>	420032		
	<b>Part No.</b>	361182	<b>Ref. No.</b> —
	nut thread 1/4" H 5mm nickel-plated brass WS 17 Qty 1 pcs		
	<b>Part No.</b>	510414	<b>Ref. No.</b> —
	flat gasket copper ED ø 18mm ID ø 14mm thickness 1mm		

## heating elements for refrigeration

### heating elements for defrosting



<b>Part No.</b>	420024	<b>Ref. No.</b>	34500040100660 PADR660
<b>description</b>	heating element 150W 230V L 190mm W 215mm Hmm L1 30mm L2 160mm W1 180mm W2 35mm cable length 1500mm tube ø 6.5mm refrigeration		
<b>For models:</b>	CA170, CA170SL, CB170, CB170SL, CE2140, CE2140SL, CF2140, CF2140SL, CW2140, CZ170		



<b>Part No.</b>	420023	<b>Ref. No.</b>	24500040100600 34500040100600 PAER600
<b>description</b>	heating element 300W 230V L 405mm W 110mm L1 35mm L2 370mm W1 50mm W2 60mm cable length 700mm tube ø 6.5mm refrigeration for evaporator		
<b>For models:</b>	CF2140, CF2140SL, CW2140		





<b>Part No.</b>	420021	<b>Ref. No.</b>	24500040100601 34500040100601 PAER601
<b>description</b>	heating element 420W 230V L 685mm W 120mm L1 35mm L2 650mm W1 50mm W2 70mm cable length 1500mm tube ø 6.5mm refrigeration for evaporator		
<b>For models:</b>	CB170, CB170SL, CZ170		




<b>Part No.</b>	420020	<b>Ref. No.</b>	24500040100688 PAER688
<b>description</b>	heating element 700W 230V L 490mm W 100mm L1 28mm L2 462mm W1 70mm W2 30mm cable length 700mm tube ø 6.5mm refrigeration for evaporator		
<b>For models:</b>	CB170, CB170SL, CZ170		



			
<b>Part No.</b>	420270	<b>Ref. No.</b>	34500040100688
<b>description</b>	heating element 700W 230V L 490mm W 40mm H 60mm cable length 700mm tube ø 6.5mm immersion heater defrosting		


			
<b>Part No.</b>	420022	<b>Ref. No.</b>	24500040100689 34500040100689 PAER689
<b>description</b>	heating element 900W 230V L 685mm W 110mm L1 32mm L2 653mm W1 70mm W2 40mm cable length 700mm tube ø 6.5mm refrigeration for evaporator		
<b>For models:</b>	CF2140, CF2140SL, CW2140		


			
<b>Part No.</b>	420025	<b>Ref. No.</b>	24500040100191 34500040100191 PADR191
<b>description</b>	heating element L 120mm W 320mm Hmm L1 30mm L2 90mm W1 280mm W2 40mm cable length 710/930mm tube ø 6.5mm refrigeration		
<b>For models:</b>	CA170, CB170, CE2140, CF2140		


## heating cables

connection on both sides


with wire end ferrules


			
<b>Part No.</b>	420027	<b>Ref. No.</b>	24500040100015 34500040100015 PAAE015
<b>description</b>	heating cable 19W 12V L 2500mm L1 (unheated) 1000mm L2 (heated) 1500mm for defrost drain ø 3mm		
<b>For models:</b>	CB170, CB170SL, CF2140, CF2140SL		

			
<b>Part No.</b>	420026	<b>Ref. No.</b>	34500040100973 PAPE973
<b>description</b>	heating cable 43.2W 230V L 6200mm L1 (unheated) 800mm L2 (heated) 5400mm door frame heating ø 3mm Qty 1		

			
<b>Part No.</b>	420517	<b>Ref. No.</b>	34000040100340 34500040100971 PAPE340
<b>description</b>	heating cable 75W 12V L 6200mm L1 (unheated) 800mm L2 (heated) 5400mm door frame heating ø 3mm Qty 1		
<b>For models:</b>	CB170, CB170SL, CF2140, CF2140SL		

## heating elements for convection


			
<b>Part No.</b>	420035	<b>Ref. No.</b>	24500040100735 34500040100735 PBA735
<b>description</b>	heating element 1400W 230V heating circuits 1 ID ø 180mm ED ø 198mm L 215mm H 51mm thread 1/4" connection M4 mounting distance 38mm tube ø 8.5mm		
<b>For models:</b>	GE711, GE714		

			
<b>Part No.</b>	420034	<b>Ref. No.</b>	24500040100732 34500040100732 PBA732
<b>description</b>	heating element 1800W 230V heating circuits 1 ID ø 180mm ED ø 198mm L 215mm H 51mm thread 1/4" connection M4 mounting distance 38mm tube ø 8.5mm		
<b>For models:</b>	GE716, GE719, MH711, MH714, MH718, MI711, MI714, MI718		

## thermostats

### bi-metal thermostats

#### bi-metal thermostats

			
<b>Part No.</b>	390715	<b>Ref. No.</b>	24500040100500 34500040100500 PHCU500
<b>description</b>	bi-metal thermostat switch-off temp. 110°C NC 1-pole 16A 250V connection F6.3		
<b>For models:</b>	GE711, GE714, GE716, GE719, MH711, MH714, MH718, MI711, MI714, MI718		



control and safety thermostats

IMIT / TEMPOMATIC / ARTHERMO

control thermostats



<b>Part No.</b>	390713	<b>Ref. No.</b>	24500040100152 34500040100152 PTMM152
<b>description</b>	thermostat t.max. 100°C temperature range 30-90°C 1-pole 1NC 16A probe ø 6mm probe L 98mm capillary pipe 900mm capillary pipe isolatedmm gland nut shaft ø 6x4.6mm shaft L 18mm shaft position upper rotation 270° probe material copper		
<b>For models:</b>	GE711, GE714, GE716, GE719, MA610, MA614, MA67, MB610, MB614, MB67, MD711, MD714, MD718, MF711, MF714, MF718, MH711, MH714, MH718, MI711, MI714, MI718		

switches and momentary switches

rocker/momentary rocker switches

30x11mm



<b>Part No.</b>	301039	<b>Ref. No.</b>	24500040100295 34500040100295 PDOF295
<b>description</b>	rocker switch mounting measurements 30x11mm red 1NO/indicator light 250V 16A connection male faston 6.3mm		
<b>For models:</b>	BS7300, MB610, MB614, MB67, MF711, MF714, MF718, MI711, MI714, MI718, ZQ99, ZQ999		

30x22mm



<b>Part No.</b>	301001	<b>Ref. No.</b>	24500040100290 34500040100290 PDMO290
<b>description</b>	rocker switch mounting measurements 30x22mm red 2NO 250V 16A illuminated 0-I connection male faston 6.3mm ambient temperature max. 125/55°C protection IP65		
<b>For models:</b>	BP7300, BS7300, BS77, CA170, CB170, CE2140, CF2140, PM99, PM999, PM9999, PN2229, PN229, PN99, PN999, PN9999, WV179, WV224, ZQ99, ZQ999		

accessories for 301001



<b>Part No.</b>	301036	<b>Ref. No.</b>	—
<b>description</b>	protective cover internal size 30x22mm for rocker switch mounting measurementsmm		

toggle switches

M12x0.75



<b>Part No.</b>	346526	<b>Ref. No.</b>	24500040100960 34500040100960 PDOF960
<b>description</b>	toggle switch thread M12x0.75 1CO 250V 15A ON-ON male faston 6.3mm		
<b>For models:</b>	BS7300, MB610, MB614, MB67, MF711, MF714, MF718, MI711, MI714, MI718, ZQ99, ZQ999		



<b>Part No.</b>	347344	<b>Ref. No.</b>	24500040100161 34500040100161 PDOF161
<b>description</b>	toggle switch thread M12x0.75 1NO 250V 15A male faston ON-OFF		
<b>For models:</b>	MB610, MB614, MB67, MF711, MF714, MF718, MI711, MI714, MI718		

microswitches

lever actuated



<b>Part No.</b>	347346	<b>Ref. No.</b>	24500040100503 34500040100503 PTDR503
<b>description</b>	microswitch with lever 250V 16A 1CO connection screw ambient temperature max. 125°C lever length 147mm		
<b>For models:</b>	CB170, CF2140		

with push button

switches with snap-fit



<b>Part No.</b>	347347	<b>Ref. No.</b>	24500040100729 34500040100729 PTDR729
<b>description</b>	microswitch with push button 250V 5A 1NO connection male faston 4.8mm L 29x25mm ambient temperature max. 85°C		
<b>For models:</b>	CB170, CB170SL, CF2140, CF2140SL		



## lamps

## indicator lights

## lamps

## light bulbs



1


<b>Part No.</b>	359752	<b>Ref. No.</b>	24500040100158 34500040100158 PEL158
<b>description</b>	light bulb socket E10 220V ø 10mm L 26mm		
<b>For models:</b>	MA610, MA614, MA67, MB610, MB614, MB67, MD711, MD714, MD718, MF711, MF714, MF718, MH711, MH714, MH718, MI711, MI714, MI718		

## indicator lights (complete)

## ø18mm



1

<b>Part No.</b>	359751	<b>Ref. No.</b>	24500040100155 34500040100155 PEL155
<b>description</b>	indicator light housings mounting measurements 18mm socket E10 red connection male faston 6.3mm/screw connection		
<b>For models:</b>	MA610, MA614, MA67, MB610, MB614, MB67, MD711, MD714, MD718, MF711, MF714, MF718, MH711, MH714, MH718, MI711, MI714, MI718		
<b>accessories for</b>	359751		
	<b>Part No.</b>	359752	<b>Ref. No.</b>
			light bulb socket E10 220V ø 10mm L 26mm

## screw-on/push-on fit

## light bulbs

## for indicator lights



1

<b>Part No.</b>	359752	<b>Ref. No.</b>	24500040100158 34500040100158 PEL158
<b>description</b>	light bulb socket E10 220V ø 10mm L 26mm		
<b>For models:</b>	MA610, MA614, MA67, MB610, MB614, MB67, MD711, MD714, MD718, MF711, MF714, MF718, MH711, MH714, MH718, MI711, MI714, MI718		

## linear lamps

## halogen lamps



1

<b>Part No.</b>	359313	<b>Ref. No.</b>	24500040100040 34500040100040 PLH040
<b>description</b>	halogen lamp socket R7s L 117.6mm 230V 150W IMPORT		
<b>For models:</b>	MB610, MB614, MB67, MF711, MF714, MF718, MI711, MI714, MI718		

## sockets for linear lamps

## R7s



1

<b>Part No.</b>	359753 <sup>1</sup>	<b>Ref. No.</b>	24500040100705 34500040100705 PREF705
<b>description</b>	lamp socket socket R7 mounting measurements 146x60mm ømm for length of lamp 117.6mm H 62mm connection cable 450mm mounting distance 175mm with glass plate hot bar 184		
<b>For models:</b>	MB610, MB614, MB67, MF711, MF714, MF718, MI711, MI714, MI718		

<sup>1</sup>only suitable for linear halogen lamps up to max. 160W

## fluorescent lamps

## fluorescent lamps

## G5



1

<b>Part No.</b>	359745	<b>Ref. No.</b>	24500040100052 34500040100052 PLF052
<b>description</b>	fluorescent lamp socket T5 L 560mm 18W ø 16mm 230V Qty 1 pcs		
<b>For models:</b>	BS7300, ZQ99		




1

<b>Part No.</b>	359746	<b>Ref. No.</b>	24500040100050 34500040100050 PLF050
<b>description</b>	fluorescent lamp socket T5 L 860mm 21W ø 16mm 230V Qty 1 pcs		
<b>For models:</b>	ZQ999		




complete with holder

1 


<b>Part No.</b>	359743	<b>Ref. No.</b>	24500040100668 34500040100668 PLFC668
<b>description</b>	fluorescent lamp socket T5 L 570mm W 43mm 13W 240V		
<b>For models:</b>	BS7300, ZQ99		

1 

<b>Part No.</b>	360760	<b>Ref. No.</b>	34002450000228 PLDLC0228
<b>description</b>	fluorescent lamp socket T5 L 600mm		

1 


<b>Part No.</b>	360761	<b>Ref. No.</b>	34002450000229 PLDLC0229
<b>description</b>	fluorescent lamp socket T5 L 900mm type PLDLC0229		

1 

<b>Part No.</b>	359744	<b>Ref. No.</b>	24500040100657 34500040100657 PLFC657
<b>description</b>	fluorescent lamp socket T5 L 900mm W 42mm 21W 230V plug type male/female without switch with mounting clips		
<b>For models:</b>	ZQ999		


accessories

starter

1 

<b>Part No.</b>	380464	<b>Ref. No.</b>	24500040100166 34500040100166 PSTR166
<b>description</b>	starter 4-65W		
<b>For models:</b>	BS7300, MB610, MB614, MB67, MF711, MF714, MF718, MI711, MI714, MI718, ZQ99, ZQ999		

ballasts


1 

<b>Part No.</b>	402563	<b>Ref. No.</b>	24500040100153 34500040100153 P-ML-153
<b>description</b>	electrical ballast 40W 230V for fluorescent lamps		
<b>For models:</b>	BS7300, MB610, MB614, MB67, MF711, MF714, MF718, MI711, MI714, MI718, ZQ99, ZQ999		

transformers

open transformers

with cable connection

1 

<b>Part No.</b>	403790	<b>Ref. No.</b>	34500040100354
<b>description</b>	transformer primary 220 secondary 12 0.08kW H 75mm L 99mm W 84mm connection cable		

encapsulated transformers

PMA

1 

<b>Part No.</b>	379054	<b>Ref. No.</b>	24500040100717 34500040100717 PMET717
<b>description</b>	transformer primary 230VAC secondary 12VAC 3VA secondary 0.25A H 40mm L 45mm W 50mm connection screw 50/60Hz type 153/M		
<b>For models:</b>	CB170, CB170SL, CF2140, CF2140SL, CW2140, CZ170		



## electronic controllers

## KIOUR

## universal controllers

## built-in version





1

<b>Part No.</b>	379491	<b>Ref. No.</b>	24500040100696 34500040100696 PKBM696
<b>description</b>	electronic controller KIOUR mounting measurements 71x29mm 230V voltage AC PTC relay outputs 2 -19 up to +99°C display 2 digit REF-BERI-SM V2 12A 30A		
<b>For models:</b>	GE711, GE714, GE716, GE719, MA610, MA614, MA67, MB610, MB614, MB67, MD711, MD714, MD718, MF711, MF714, MF718, MH711, MH714, MH718, MI711, MI714, MI718		

## built-in version 2-piece



1







<b>Part No.</b>	379754	<b>Ref. No.</b>	34500040100377+34500040100379 34500040100378 REF-BERI-EXR+PKUR377
<b>description</b>	electronic controller KIOUR type REF-BERI-ExR mounting measurements 71x29mm 230V voltage AC PTC relay outputs 2 NO-12A NO-30A PTC DI built-in depthmm -19 up to +99°C display 2 digit		
<b>spare parts for</b>	379754		
	<b>Part No.</b>	380867	<b>Ref. No.</b> —
	relay SHANGFANG 12VDC 30A 1NO connection male faston 6.3mm screw mounting at 250V 30A manuf. no. 855AW-1A-C1		
<b>accessories for</b>	379754		
	<b>Part No.</b>	380867	<b>Ref. No.</b> —
	relay SHANGFANG 12VDC 30A 1NO connection male faston 6.3mm screw mounting at 250V 30A manuf. no. 855AW-1A-C1		


## refrigeration controllers

## built-in version



1

<b>Part No.</b>	379494	<b>Ref. No.</b>	24500029100714 34500029100714 PKUR714
<b>description</b>	electronic controller KIOUR type REF-DF-SM V4.2 mounting measurements 71x29mm 230V voltage AC PTC relay outputs 3 NO-25A NO-5A NO-5A PTC level sensor front measurementsmm built-in depth 76mm protection IP44 accuracy 1% built-in version defr. funct. -19 up to +99°C display 2½ digit		
<b>For models:</b>	BP7300, BS7300, BS77, CA170, CA170SL, CE2140, CE2140SL, PM99, PM999, PM9999, PN2229, PN229, PN29, PN99, PN999, PN9999, WV179, WV224, ZQ999, ZQ9999		
<b>accessories for</b>	379494		
	<b>Part No.</b>	378067	<b>Ref. No.</b> —
	temperature probe PTC 1kOhm cable silicone probe -50 up to +150°C cable -50 up to +180°C probe ø6x40mm cable length 2m without screw connection 2-wire		
	<b>Part No.</b>	378068	<b>Ref. No.</b> —
	temperature probe PTC 1kOhm cable silicone probe -50 up to +150°C cable -50 up to +180°C probe ø6x40mm cable length 7m without screw connection 2-wire		
	<b>Part No.</b>	378069	<b>Ref. No.</b> —
	temperature probe PTC 1kOhm cable silicone probe -50 up to +150°C cable -50 up to +180°C probe ø6x40mm cable length 15m without screw connection 2-wire		
	<b>Part No.</b>	378070	<b>Ref. No.</b> —
	temperature probe PTC 1kOhm cable silicone probe -50 up to +150°C cable -50 up to +180°C probe ø6x40mm cable length 30m without screw connection 2-wire		
	<b>Part No.</b>	379052	<b>Ref. No.</b> —
	temperature probe PTC 1kOhm cable silicone probe -50 up to +150°C cable -50 up to +180°C probe ø6x40mm cable length 1.5m without screw connection 2-wire		
	<b>Part No.</b>	379064	<b>Ref. No.</b> —
	temperature probe PTC 1kOhm cable silicone probe -50 up to +150°C cable -50 up to +180°C probe ø6x40mm cable length 3m without screw connection 2-wire		

1


<b>Part No.</b>	379847 <sup>1</sup>	<b>Ref. No.</b>	34000094000467 34500029100713 PETS467 PLDU713
<b>description</b>	electronic controller KIOUR type REF-DF-SM V4.2 mounting measurements 71x29mm 230V voltage AC PTC relay outputs 3 NO-25A NO-5A NO-5A PTC level sensor front measurementsmm built-in depth 76mm protection IP54 accuracy 1% built-in version 1x PTC probe inclusive defr. funct. -19 up to +99°C display 2½ digit		
<b>For models:</b>	BP7300, BS7300, BS77, CA170, CE2140, PM99, PM999, PM9999, PN2229, PN229, PN29, PN99, PN999, PN9999, WV179, WV224, ZQ99, ZQ999		

<sup>1</sup>incl. 1x PTC probe




2

<b>Part No.</b>	379493	<b>Ref. No.</b>	24500029100715 34500029100715 PKUR715
<b>description</b>	electronic controller KIOUR type REF-FR-SM V2.0 mounting measurements 71x29mm 12V voltage AC/DC PTC relay outputs 5 NO-25A NO-5A NO-5A NO-5A NO-5A PTC PTC DI level sensor front measurementsmm built-in depth 76mm protection IP44 accuracy 1% built-in version defr. funct. -19 up to +99°C display 2½ digit		
<b>For models:</b>	CB170, CB170SL, CF2140, CF2140SL, CW2140, CZ170		



1

<b>Part No.</b>	389008	<b>Ref. No.</b>	34002450000104 PKUR0104
<b>description</b>	electronic controller KIOUR type RSD3 mounting measurements 71x29mm 230V voltage AC PTC relay outputs 3 NO-25A NO-10A NO-10A PTC DI front measurements 59x89mm built-in depth 76mm built-in version yes defr. funct. yes -50 up to +150°C display 3 digits		



1


<b>Part No.</b>	389000	<b>Ref. No.</b>	3400029100555 P-KUR-555
<b>description</b>	electronic controller KIOUR type RSD-TOUCH mounting measurements 71x29mm 230V voltage AC PTC relay outputs 3 NO-25A NO-10A NO-10A PTC DI level sensor front measurements 59x89mm built-in depth 76mm protection IP54 built-in version yes defr. funct. -19 up to +99°C display 3 digits		




1

<b>Part No.</b>	389007	<b>Ref. No.</b>	34002450000105 PKUR0105
<b>description</b>	electronic controller KIOUR type RSP4 mounting measurements 71x29mm 230V voltage AC PTC relay outputs 4 NO-10A NO-25A NO-3A NO-3A PTC DI PTC front measurements 59x89mm built-in depth 76mm protection IP54 built-in version yes defr. funct. yes -50 up to +100°C display 3 digits		


built-in version 2-piece



1



<b>Part No.</b>	379492	<b>Ref. No.</b>	24500029100459 34500029100459 P-KUR-459
<b>description</b>	control element KIOUR type REF-FR-SP mounting measurements 71x29mmV voltage relay outputs front measurementsmm built-in depth 76mm protection IP54 accuracy 1% built-in version defr. funct.°C display 3 digits		
<b>For models:</b>	CB170, CB170SL, CF2140, CF2140SL, CW2140, CZ170		
<b>accessories for</b>	379492		
	<b>Part No.</b>	400339	<b>Ref. No.</b>
	 ribbon cable 16-pole L 460mm plug type 2 row Qty 1m		






71 x 29mm


1

<b>Part No.</b>	389001	<b>Ref. No.</b>	34500029100750 PKUR750
<b>description</b>	control element KIOUR type REF-FR-SP-TOUCH mounting measurements 71x29mmV voltage relay outputs front measurements 88x60mm defr. funct. °C display 3 digits		
<b>accessories for</b>	389001		
	<b>Part No.</b>	379495	<b>Ref. No.</b>
	electronic controller KIOUR type REF-FR-SB V3.0 mounting measurements 165x80x52mm 230V voltage AC PTC relay outputs 5 NO-30A NO-10A NO-10A NO-10A NO-10A PTC PTC DI level sensor front measurements 165x80x52mm built-in depthmm protection IP54 accuracy 1% defr. funct. -50 up to +100°C display		
	<b>Part No.</b>	400339	<b>Ref. No.</b>
	ribbon cable 16-pole L 460mm plug type 2 row Qty 1m		






1

<b>Part No.</b>	389003	<b>Ref. No.</b>	34500029100502
<b>description</b>	control element KIOUR type RSPFL TOUCH mounting measurements 71x29mmV voltage relay outputs front measurements 88x60mm defr. funct. °C display 3 digits		
<b>accessories for</b>	389003		
	<b>Part No.</b>	389005	<b>Ref. No.</b>
	electronic controller KIOUR type RSPBL mounting measurements 165x80x52mm 230V voltage AC PTC relay outputs 6 NO-30A NO-10A NO-10A NO-10A NO-10A NO-10A PTC PTC DI level sensor front measurements 165x80x52mm built-in depthmm protection IP54 accuracy 1% defr. funct. -50 up to +100°C display		
	<b>Part No.</b>	400339	<b>Ref. No.</b>
	ribbon cable 16-pole L 460mm plug type 2 row Qty 1m		



1

<b>Part No.</b>	389002	<b>Ref. No.</b>	34500029100501
<b>description</b>	control element KIOUR type RSDFL TOUCH mounting measurements 71x29mmV voltage relay outputs front measurements 88x60mm defr. funct. °C display 3 digits		
<b>accessories for</b>	389002		
	<b>Part No.</b>	389004	<b>Ref. No.</b>
	electronic controller KIOUR type RSDBL mounting measurements 165x80x52mm 230V voltage AC PTC relay outputs 4 NO-25A NO-10A NO-10A NO-10A PTC DI level sensor front measurements 165x80x52mm built-in depthmm protection IP54 accuracy 1% defr. funct. -50 up to +100°C display		
	<b>Part No.</b>	400339	<b>Ref. No.</b>
	ribbon cable 16-pole L 460mm plug type 2 row Qty 1m		



71 x 29mm

1

<b>Part No.</b>	379809	<b>Ref. No.</b>	24500029100468 34000094000427 34500029100468 PBETS468 PETS427
<b>description</b>	electronic controller KIOUR type REF-FR-SB V2.0 mounting measurements 71x29mm 230V voltage AC PTC relay outputs 5 NO-25A NO-10A NO-10A NO-10A NO-10A PTC PTC DI level sensor front measurementsmm built-in depth 76mm protection IP54 accuracy 1% yes defr. funct. -50 up to +150°C display 2½ digit		
<b>For models:</b>	BP7300, BS7300, BS77, CA170, CE2140, PM99, PM999, PM9999, PN2229, PN229, PN29, PN99, PN999, PN9999, ZQ99, ZQ999		



1

<b>Part No.</b>	379495	<b>Ref. No.</b>	24500029100460 34500029100460 P-BETF-460
<b>description</b>	electronic controller KIOUR type REF-FR-SB V3.0 mounting measurements 165x80x52mm 230V voltage AC PTC relay outputs 5 NO-30A NO-10A NO-10A NO-10A NO-10A PTC PTC DI level sensor front measurements 165x80x52mm built-in depthmm protection IP54 accuracy 1% defr. funct. -50 up to +100°C display		
<b>For models:</b>	CB170, CB170SL, CF2140, CF2140SL, CW2140, CZ170		
<b>accessories for</b>	379495		
	<b>Part No.</b>	389001	<b>Ref. No.</b>
	control element KIOUR type REF-FR-SP-TOUCH mounting measurements 71x29mmV voltage relay outputs front measurements 88x60mm defr. funct.°C display 3 digits		
	<b>Part No.</b>	400339	<b>Ref. No.</b>
	ribbon cable 16-pole L 460mm plug type 2 row Qty 1m		



1

<b>Part No.</b>	389004	<b>Ref. No.</b>	34500029100499
<b>description</b>	electronic controller KIOUR type RSDBL mounting measurements 165x80x52mm 230V voltage AC PTC relay outputs 4 NO-25A NO-10A NO-10A NO-10A PTC DI level sensor front measurements 165x80x-52mm built-in depthmm protection IP54 accuracy 1% defr. funct. -50 up to +100°C display		
<b>accessories for</b>	389004		
	<b>Part No.</b>	389002	<b>Ref. No.</b>
	control element KIOUR type RSDFL TOUCH mounting measurements 71x29mmV voltage relay outputs front measurements 88x60mm defr. funct.°C display 3 digits		
	<b>Part No.</b>	400339	<b>Ref. No.</b>
	ribbon cable 16-pole L 460mm plug type 2 row Qty 1m		



1

<b>Part No.</b>	389005	<b>Ref. No.</b>	34500029100500
<b>description</b>	electronic controller KIOUR type RSPBL mounting measurements 165x80x52mm 230V voltage AC PTC relay outputs 6 NO-30A NO-10A NO-10A NO-10A NO-10A NO-10A PTC PTC DI level sensor front measurements 165x80x52mm built-in depthmm protection IP54 accuracy 1% defr. funct. -50 up to +100°C display		
<b>accessories for</b>	389005		
	<b>Part No.</b>	389003	<b>Ref. No.</b>
	control element KIOUR type RSPFL TOUCH mounting measurements 71x29mmV voltage relay outputs front measurements 88x60mm defr. funct.°C display 3 digits		
	<b>Part No.</b>	400339	<b>Ref. No.</b>
	ribbon cable 16-pole L 460mm plug type 2 row Qty 1m		

accessories

	<b>Part No.</b>	400339	<b>Ref. No.</b>	24500029100465 34500029100465 P-KAL-465
	description ribbon cable 16-pole L 460mm plug type 2 row Qty 1m			
<b>For models:</b>	CB170, CB170SL, CF2140, CF2140SL, CW2140, CZ170			

LAE

refrigeration controllers

built-in version

	<b>Part No.</b>	378266	<b>Ref. No.</b>	24500029100713 34500029100713 PLDU713
	description electronic controller LAE type LDU151E-AG mounting measurements 71x29mm 230V voltage AC front measurements 77x35mm -25 up to +25°C display 2½ digit 8A compressor relay 16A			






built-in version 2-piece



165 x 125mm

1

<b>Part No.</b>	379484	<b>Ref. No.</b>	24500029100649 34500029100649 PBETF649
<b>description</b>	electronic controller LAE type SSD90B35E-C mounting measurements 165x125mm 230V voltage AC PTC relay outputs 6 NO-20A(6) CO-12A(4) NO-8A(3) NO-8A(3) CO-8A(3) NO-7A(2) PTC PTC DI front measurementsmm built-in depthmm protection IP30 yes -50 up to +150°C display		
<b>For models:</b>	CB170, CF2140		
<b>accessories for</b>	379484		
	<b>Part No.</b>	<b>Ref. No.</b>	—
			surface probe PTC 1kOhm cable silicone probe -50 up to +200°C cable -50 up to +180°C connection coded plug thread probe ø6x35mm cable length 2m
	<b>Part No.</b>	<b>Ref. No.</b>	—
			keypad unit LAE type SMD34RU mounting measurements 185x31mmV voltage relay outputs front measurementsmm built-in depthmm protection IP55°C display 3 digits
	<b>Part No.</b>	<b>Ref. No.</b>	—
			connection cable LAE type FC10-20M01




1

<b>Part No.</b>	379498	<b>Ref. No.</b>	24500029100427 34500029100427 PETF427
<b>description</b>	electronic controller LAE type SMD12RU20 mounting measurements 71x29mm display 3 digits		
<b>For models:</b>	CB170, CF2140		

## SHANGFANG

### accessories




1

<b>Part No.</b>	379054	<b>Ref. No.</b>	24500040100717 34500040100717 PMET717
<b>description</b>	transformer primary 230VAC secondary 12VAC 3VA secondary 0.25A H 40mm L 45mm W 50mm connection screw 50/60Hz type 153/M		
<b>For models:</b>	CB170, CB170SL, CF2140, CF2140SL, CW2140, CZ170		

## probes

### universal probes

#### temperature probes




1

<b>Part No.</b>	379835	<b>Ref. No.</b>	34500029100447 PPRB447
<b>description</b>	temperature probe NTC 2kOhm cable thermoplastic probe -40 up to +110°C cable -40 up to +110°C probe ø6x20mm cable length 2m 2-wire		
<b>For models:</b>	CA170, CB170, CE2140, CF2140		

### producer-specific probes

#### probes



1


<b>Part No.</b>	402559	<b>Ref. No.</b>	24500029100447
<b>description</b>	temperature probe cable length 900m probe ø 7mm probe L 41mm		




1

<b>Part No.</b>	379497	<b>Ref. No.</b>	24500029100467 34000094000467 34500029100467 PETS467
<b>description</b>	electronic controller LAE type BIT12RU20 mounting measurements 71x29mmV voltage relay outputs front measurementsmm built-in depth 20mm protection°C display 2½ digit		



1 

<b>Part No.</b>	402558	<b>Ref. No.</b>	24500029100478 34500029100478 PPRB143 PPRB478
<b>description</b>	temperature probe PTC cable PVC probe -50 up to +150°C cable -10 up to 100°C connection male faston thread probe ø6x30mm cable length 1.9m		
<b>For models:</b>	CA170, CA170SL, CB170, CB170SL, CE2140, CE2140SL, CF2140, CF2140SL, CW2140, CZ170		

1 

<b>Part No.</b>	402560	<b>Ref. No.</b>	24500040100168 34500040100168 PPRB168
<b>description</b>	temperature probe PTC cable silicone probe -50 up to +150°C cable -50 up to +180°C connection 2-wire thread probe ø6.5x30mm cable length 1.1m		
<b>For models:</b>	GE711, GE714, GE716, GE719, MA610, MA614, MA67, MB610, MB614, MB67, MD711, MD714, MD718, MF711, MF714, MF718, MH711, MH714, MH718, MI711, MI714, MI718		

## solenoid valves

### solenoid valves (refrigeration)


#### CASTEL

#### valves

1 

<b>Part No.</b>	370588	<b>Ref. No.</b>	24500029100457 34500029100457 PELV457
<b>description</b>	solenoid valve NC type 1028/2 S 230V connection 1/4" soldering connection -35 up to +105°C CASTEL refrigeration straight		
<b>For models:</b>	CB170, CB170SL, CF2140, CF2140SL		

## electrodes

1 

<b>Part No.</b>	403296	<b>Ref. No.</b>	34000000000122 AIS122
<b>description</b>	level electrode push-in total length 167mm probe L 115mm connection male faston 6.3mm ø 3mm		

## compressors

### L'UNITE HERMETIQUE / TECUMSEH

#### R134A

#### HMBP monophase

High/Medium evaporation temperature above -20/-15 °C

1 

<b>Part No.</b>	605159	<b>Ref. No.</b>	P-COM-529
<b>description</b>	compressor coolant R134a type AE4430Y-FZ1A 220-240V 50Hz HMBP 9.7kg 1/4HP power inputW cylinder capacity 8cm³ CSIR H 200mmWW 294W 382W 488W 613W 760W 930W 1127W		
<b>For models:</b>	BP7300, BS7300, BS77, CA170SL, PM99, PM999, PN229, PN29, PN99, PN999		

1 

<b>Part No.</b>	605188	<b>Ref. No.</b>	34500029100424 P-COM-424
<b>description</b>	compressor coolant R134a type AE4440Y-FZ 220-240V 50Hz HMBP 10kg 1/3HP cylinder capacity 10.33cm³ CSIR H 200mmWWW 399W 508W 637W 790W 968W 1176W		
<b>For models:</b>	CA170, CZ170, PM9999, PN2229, PN9999, ZQ99, ZQ999		

1 

<b>Part No.</b>	605160	<b>Ref. No.</b>	PCOM521
<b>description</b>	compressor coolant R134a type CAJ4461Y 220-240V 50Hz HMBP 20kg 1/2HP power input 728W cylinder capacity 18.3cm³ CSIR H 258mmWW 475W 642W 856W 1115W 1421WW		
<b>For models:</b>	CE2140, CW2140		



R404A

LBP monophase

Lower evaporation temperature below -20°C



<b>Part No.</b>	605134	<b>Ref. No.</b>	34500029100497 PCOM497
<b>description</b>	compressor coolant R404A type CAJ2446Z 220-240V 50Hz LBP 23kg 1.2HP cylinder capacity 26.1cm <sup>3</sup> CSR H 280mm 797W 1110W 1423W 1821W 2290W 549W		
<b>For models:</b>	CF2140		

evaporation and condensing trays

evaporation trays heated



<b>Part No.</b>	750394	<b>Ref. No.</b>	3400000000169 .PSEN169 34000000901802 P-SEN-100 P-SEN-802
<b>description</b>	evaporation tray complete with heating element and level electrode L 245mm W 30mm H 235mm 230V 150W		
<b>For models:</b>	CA170, CA170SL, CB170, CB170SL, CE2140, CE2140SL, CF2140, CF2140SL, CW2140, CZ170		

fans

axial fans

import



<b>Part No.</b>	601510 <sup>1</sup>	<b>Ref. No.</b>	24500029100523 24500029100524 34500029100523 34500029100524 PFC523 PFC524
<b>description</b>	axial fan L 119mm W 119mm H 38mm 230VAC 50/60Hz 22/21W bearing ball bearing connection male faston 6.3mm SUNON temp.-resist. 70°C		
<b>For models:</b>	BP7300, BS7300, BS77, PM99, PM999, PM9999, PN2229, PN229, PN29, PN99, PN999, PN9999, WV179, WV224, ZQ99, ZQ999		

<sup>1</sup>with ball bearings



<b>Part No.</b>	601692 <sup>1</sup>	<b>Ref. No.</b>	24500029100523 alt 34500029100523 alt PFC523 alt
<b>description</b>	axial fan L 119mm W 119mm H 38mm 230VAC 50/60Hz bearing ball bearing connection male faston 2.8mm SUNON fan wheel ø 110mm input current 0.125A		

<sup>1</sup>with ball bearings



refrigeration fans

refrigeration motors universal

IMPORT

multi fit fan motors



<b>Part No.</b>	601022	<b>Ref. No.</b>	24500029100406 34500029100406 PEM406
<b>description</b>	fan motor 10W 230V 50-60Hz L1 44mm L2 54mm L3 85mm W 84mm cable length 500mm 1300rpm YZF10-20-18/26 5 mounting options bearing slide bearing		
<b>For models:</b>	BP7300, BS7300, BS77, CA170, CA170SL, CE2140, CE2140SL, CF2140, CF2140SL, CW2140, CZ170, PM99, PM999, PM9999, PN2229, PN229, PN29, PN99, PN999, PN9999, ZQ99, ZQ999		

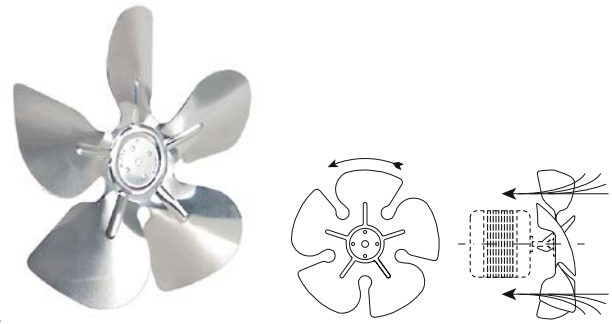


<b>Part No.</b>	601023	<b>Ref. No.</b>	24500029100624 34500029100624 PEM624
<b>description</b>	fan motor 16W 230V 50-60Hz L1 45mm L2 61mm L3 92mm W 84mm cable length 500mm 1300rpm YZF16-25-18/26 5 mounting options bearing slide bearing		
<b>For models:</b>	CA170, CA170SL, CB170, CB170SL, CE2140, CF2140, CF2140SL, CW2140, CZ170		

accessories

fan wheels

aluminium



<b>Part No.</b>	601283	<b>Ref. No.</b>	24500029100408 24500029100630 34500029100408 34500029100630 PFEM408 PFEM630
<b>description</b>	fan wheel sucking ø 230mm fan wheel mounting 25.4mm blade angle 28° W 41mm aluminium		
<b>For models:</b>	CA170, CA170SL, CB170, CB170SL, CE2140, CE2140SL, CF2140, CF2140SL, CW2140, CZ170		

cross flow fans

cross flow fan with heater battery

roller diameter ø60mm



<b>Part No.</b>	601027	<b>Ref. No.</b>	24500040100160 34500040100160 PBA160
<b>description</b>	cross flow fan roller length 180mm roller ø 60mm motor position right 230V 50Hz 17W heat output 2000W bearing silicone cable length 200mm with temperature limiter 125°C		
<b>For models:</b>	GE711, GE714, GE716, GE719, MH711, MH714, MH718, MI711, MI714, MI718		
<b>spare parts for</b>	601027		
	<b>Part No.</b>	375095	<b>Ref. No.</b> —
	bi-metal thermostat hole distance 18mm switch-off temp. 105°C 1NC 1-pole 16A connection F6.3 2 hole fixing		
	<b>Part No.</b>	375911	<b>Ref. No.</b> —
	bi-metal thermostat switch-off temp. 125°C 1NC 1-pole for cross flow fan		

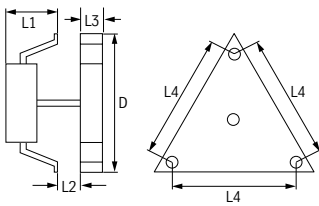


hot air fans

ebm-papst



1



<b>Part No.</b>	601249	<b>Ref. No.</b>	24500040100738 34500040100738 PFMH738
<b>description</b>	hot air fan 230V 32W 0.27A L1 60mm L2 20mm L3 20mm L4 157mm fan wheel ø 150mm ebm-papst type R2K150-AC01-15		
<b>For models:</b>	GE711, GE714, GE716, GE719, MH711, MH714, MH718, MI711, MI714, MI718		

fuses

line circuit breakers

ABL SURSUM



1

<b>Part No.</b>	345259	<b>Ref. No.</b>	24500040100196 34500040100196 PHCF196
<b>description</b>	line circuit breaker 1-pole 20A tripping type C rated 240/415V connection screw mounting DIN rail 1 phase		

electric accessories

cables

ribbon cables

group 1

<b>Part No.</b>	400339	<b>Ref. No.</b>	24500029100465 34500029100465 P-KAL-465
<b>description</b>	ribbon cable 16-pole L 460mm plug type 2 row Qty 1m		
<b>For models:</b>	CB170, CB170SL, CF2140, CF2140SL, CW2140, CZ170		

equipment-specific units

for fridges

drain systems

siphons

<b>Part No.</b>	515115	<b>Ref. No.</b>	24500023100223 34500023100223 PDSE223/1
<b>description</b>	drain connection ø 29mm plastic grey		

<b>Part No.</b>	515113	<b>Ref. No.</b>	24500023100244 34500023100244 PDSF244
<b>description</b>	funnel ø 46mm plastic grey H 39mm L 71mm		
<b>For models:</b>	BP7300, BS7300, BS77, CA170, CA170SL, CB170, CB170SL, CE2140, CE2140SL, CF2140, CF2140SL, CW2140, CZ170, PM99, PM999, PM9999, PN2229, PN229, PN29, PN99, PN999, PN9999, ZQ99, ZQ999		

1 electric components





1

<b>Part No.</b>	515111	<b>Ref. No.</b>	34000000000150 PRDS150
<b>description</b>	U-bend kit ø 18mm plastic grey		
<b>For models:</b>	CA170, CA170SL, CB170, CB170SL, CE2140, CF2140, CW2140, CZ170		
<b>spare parts for</b>	515111		
	<b>Part No.</b>	515112	<b>Ref. No.</b>
	U-bend tube ø 18mm plastic grey L 180mm		
	<b>Part No.</b>	515113	<b>Ref. No.</b>
	funnel ø 46mm plastic grey H 39mm L 71mm		
	<b>Part No.</b>	515114	<b>Ref. No.</b>
	U-bend tube ø 22.5mm plastic grey L 57mm		
	<b>Part No.</b>	515115	<b>Ref. No.</b>
	drain connection ø 29mm plastic grey		



1

<b>Part No.</b>	515112	<b>Ref. No.</b>	24500023100255 34500023100255 PDSP255
<b>description</b>	U-bend tube ø 18mm plastic grey L 180mm		
<b>For models:</b>	CA170, CA170SL, CB170, CB170SL, CE2140, CE2140SL, CF2140, CF2140SL, CW2140, CZ170		



1

<b>Part No.</b>	515114	<b>Ref. No.</b>	24500023100265 34500023100265 PDSP265
<b>description</b>	U-bend tube ø 22.5mm plastic grey L 57mm		
<b>For models:</b>	CA170, CA170SL, CB170, CB170SL, CE2140, CF2140, CW2140, CZ170		



1

<b>Part No.</b>	515109	<b>Ref. No.</b>	34000000000042 PRDS042
<b>description</b>	U-bend Slim Line ø 18mm plastic grey		
<b>For models:</b>	CA170SL, CB170SL, CE2140SL, CF2140SL		
<b>spare parts for</b>	515109		
	<b>Part No.</b>	515112	<b>Ref. No.</b>
	U-bend tube ø 18mm plastic grey L 180mm		
	<b>Part No.</b>	515113	<b>Ref. No.</b>
	funnel ø 46mm plastic grey H 39mm L 71mm		
	<b>Part No.</b>	515115	<b>Ref. No.</b>
	drain connection ø 29mm plastic grey		

housing and bezels

lids



1

<b>Part No.</b>	694671	<b>Ref. No.</b>	34500024000003 P-EPC-003
<b>description</b>	cover for evaporator grey L 775mm W 175mm H 435mm Qty 1 pcs		
<b>For models:</b>	CE2140, CE2140SL, CF2140, CF2140SL, CW2140		





## holders



1

<b>Part No.</b>	701647	<b>Ref. No.</b>	34500000000005 PSELC0005
<b>description</b>	bracket for evaporator flap plastic		



1

<b>Part No.</b>	700930	<b>Ref. No.</b>	24500024000004 34500024000004 PSEL004
<b>description</b>	bracket for evaporator flap plastic L 33mm W 25mm H 8mm ID ø 8mm ext. ø 12 mounting pos. rear		
<b>For models:</b>	CA170, CA170SL, CB170, CB170SL, CE2140, CE2140SL, CF2140, CF2140SL, CW2140, CZ170		



1

<b>Part No.</b>	700929	<b>Ref. No.</b>	24500024000005 34500024000005 PSEL005
<b>description</b>	bracket for evaporator flap plastic L 35mm W 27mm H 27mm ID ø 8mm ext. ø 12.5 mounting pos. front		
<b>For models:</b>	CA170, CA170SL, CB170, CB170SL, CE2140, CE2140SL, CF2140, CF2140SL, CW2140, CZ170		

## doors

## doors



1

<b>Part No.</b>	195004	<b>Ref. No.</b>	34000000000032 P-PLR-032
<b>description</b>	door right W 710mm H 1664mm thickness 60mm		
<b>For models:</b>	CA170, CA170SL, CB170, CB170SL, CE2140, CE2140SL, CF2140, CF2140SL, CW2140, CZ170		

## for refrigerated counters

## lid hinges



1

<b>Part No.</b>	700947	<b>Ref. No.</b>	340000000000354 PHFB354
<b>description</b>	lid hinge SS for saladette		
<b>For models:</b>	BS77		



for bain marie

drain systems



1			
<b>Part No.</b>	694305	<b>Ref. No.</b>	24500028000001 34500028000001 BAPM001
<b>description</b>	drain fitting thread 1/2" H 14mm ID ø 15mm ED ø 32mm		
<b>For models:</b>	MA610, MA614, MA67, MB610, MB614, MB67, MD711, MD714, MD718, MF711, MF714, MF718, MH711, MH714, MH718, MI711, MI714, MI718		

knobs

producer-specific knobs

INOMAK



1			
<b>Part No.</b>	113037	<b>Ref. No.</b>	3400000900366 AISK122
<b>description</b>	knob AUF/ZU ø 51mm shaft ø 6.5mm grey		
<b>For models:</b>	BP7300, BS7300, BS77, CA170, CA170SL, CB170, CB170SL, CE2140, CE2140SL, CF2140, CF2140SL, CW2140, CZ170, PM99, PM999, PM9999, PN2229, PN229, PN29, PN99, PN999, PN9999, ZQ99, ZQ999		

handles and hand wheels

handle bars

producer-specific handle rails

INOMAK



1			
<b>Part No.</b>	694302	<b>Ref. No.</b>	24500015000035 34500015000035 PXPL035
<b>description</b>	console plastic Qty 1 pcs		
<b>For models:</b>	CA170, CB170, CE2140, CF2140		



1			
<b>Part No.</b>	694301	<b>Ref. No.</b>	34000094000003 PXMR003
<b>description</b>	door handle L 560mm plastic Qty 1 pcs		
<b>For models:</b>	CA170, CB170, CE2140, CF2140		
<b>spare parts for</b>	694301		
	<b>Part No.</b>	694300	<b>Ref. No.</b>
	handle rod size 32x17mm L 485mm aluminium Qty 1 pcs		



1			
<b>Part No.</b>	694300	<b>Ref. No.</b>	34000090000013 PALL013
<b>description</b>	handle rod size 32x17mm L 485mm aluminium Qty 1 pcs		
<b>For models:</b>	CA170, CB170, CE2140, CF2140		

locks

locking devices

producer-specific

INOMAK



1			
<b>Part No.</b>	692133	<b>Ref. No.</b>	24500015000479 34500015000479 PKPR479
<b>description</b>	key cylinder ø 19mm		
<b>For models:</b>	CA170, CB170, CE2140, CF2140		



1			
<b>Part No.</b>	692134	<b>Ref. No.</b>	24500015100590 34500015100590 PKPR590
<b>description</b>	key cylinder ø 19mm		
<b>For models:</b>	CA170, CB170, CE2140, CF2140		



1



<b>Part No.</b>	692135	<b>Ref. No.</b>	24500015000393 34500015000393 PKPR393
<b>description</b>	key cylinder ø 27mm		
<b>For models:</b>	CA170, CA170SL, CB170, CB170SL, CE2140, CE2140SL , CF2140, CF2140SL, CW2140, CZ170		

## hinges

### spring assisted hinges

#### producer-specific

#### INOMAK

1



<b>Part No.</b>	700959	<b>Ref. No.</b>	34000000000101 PAMR101
<b>description</b>	hinge new edition L 190mm W 30mm H 116mm shaft length 11mm mounting distance 76mm mounting pos. upper		
<b>For models:</b>	CA170, CA170SL, CB170, CB170SL, CE2140, CE2140SL , CF2140, CF2140SL, CW2140, CZ170		

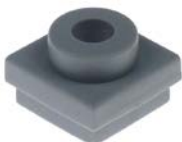
1



<b>Part No.</b>	700958	<b>Ref. No.</b>	34000000900360 PAMR360
<b>description</b>	hinge old edition L 195mm W 30mm H 116mm shaft length 11mm mounting distance 76mm mounting pos. upper		
<b>For models:</b>	CA170, CB170, CE2140, CF2140		

### door bearing

1



<b>Part No.</b>	700933	<b>Ref. No.</b>	24500023000572 34500023000572 P-KPC-572
<b>description</b>	bush H 18mm mounting pos. lower ø 18mm ID ø 8mm grey mounting measurements 22x22mm for hinge external size 25x25mm		
<b>For models:</b>	CA170, CA170SL, CB170, CB170SL, CE2140, CE2140SL , CF2140, CF2140SL, CW2140, CZ170		

1



<b>Part No.</b>	700928	<b>Ref. No.</b>	24500023000226 34500023000226 PPLAC226
<b>description</b>	bush L 15mm mounting pos. upper ø 12mm ID ø 6.5mm for hinge external size 16mm		
<b>For models:</b>	BP7300, BS7300, BS77, PM99, PM999, PM9999, PN2229, PN229, PN29, PN99, PN999, PN9999, ZQ99, ZQ999		

1



<b>Part No.</b>	700932	<b>Ref. No.</b>	24500015000579 34500015000579 PKOC579
<b>description</b>	hinge		

1



<b>Part No.</b>	700955	<b>Ref. No.</b>	34000000000103 PAMC103
<b>description</b>	hinge L 101mm W 40mm H 2mm mounting pos. upper left new edition		
<b>For models:</b>	BP7300, BS7300, BS77, PM99, PM999, PM9999, PN2229, PN229, PN29, PN99, PN999, PN9999, ZQ99, ZQ999		

1




<b>Part No.</b>	700952	<b>Ref. No.</b>	3400000090036 PAMC036
<b>description</b>	hinge L 101mm W 40mm H 2mm mounting pos. upper left old edition		


1





<b>Part No.</b>	700954	<b>Ref. No.</b>	34000000000104 PAMC104
<b>description</b>	hinge L 101mm W 40mm H 2mm mounting pos. upper right new edition		
<b>For models:</b>	BP7300, BS7300, BS77, PM99, PM999, PM9999, PN2229, PN229, PN29, PN99, PN999, PN9999, ZQ99, ZQ999		





 <p>1</p>			
<b>Part No.</b>	700953	<b>Ref. No.</b>	34000000900364 PAMC364
<b>description</b>	hinge L 101mm W 40mm H 2mm mounting pos. upper right old edition		


 <p>1</p>			
<b>Part No.</b>	700948	<b>Ref. No.</b>	34000000900361 PKMC361
<b>description</b>	hinge L 132mm W 38mm H 6mm mounting pos. bottom left old edition		
<b>For models:</b>	BP7300, BS7300, BS77, PM99, PM999, PM9999, PN2229, PN229, PN29, PN99, PN999, PN9999, ZQ99, ZQ999		


 <p>1</p>			
<b>Part No.</b>	700949	<b>Ref. No.</b>	34000000900363 PKMC363
<b>description</b>	hinge L 132mm W 38mm H 6mm mounting pos. bottom right old edition		
<b>For models:</b>	BP7300, BS7300, BS77, PM99, PM999, PM9999, PN2229, PN229, PN29, PN99, PN999, PN9999, ZQ99, ZQ999		

 <p>1</p>			
<b>Part No.</b>	700951	<b>Ref. No.</b>	34000000000105 PKMC105
<b>description</b>	hinge L 140mm W 40mm H 19mm mounting pos. bottom left new edition		
<b>For models:</b>	BP7300, BS7300, BS77, PM99, PM999, PM9999, PN2229, PN229, PN29, PN99, PN999, PN9999, ZQ99, ZQ999		

 <p>1</p>			
<b>Part No.</b>	700950	<b>Ref. No.</b>	34000000000106 PKMC106
<b>description</b>	hinge L 140mm W 40mm H 19mm mounting pos. bottom right new edition		
<b>For models:</b>	BP7300, BS7300, BS77, PM99, PM999, PM9999, PN2229, PN229, PN29, PN99, PN999, PN9999, ZQ99, ZQ999		

 <p>1</p>			
<b>Part No.</b>	700957	<b>Ref. No.</b>	34000000000102 PKMR102
<b>description</b>	hinge L 190mm W 32mm H 13.5mm mounting distance 76mm mounting pos. lower new edition shaft ø 8mm		
<b>For models:</b>	CA170, CA170SL, CB170, CB170SL, CE2140, CE2140SL, CF2140, CF2140SL, CW2140, CZ170		

 <p>1</p>			
<b>Part No.</b>	700956	<b>Ref. No.</b>	34000000094036 PKMR036
<b>description</b>	hinge L 195mm W 30mm H 5mm mounting distance 76mm mounting pos. lower old edition shaft ø 8mm		
<b>For models:</b>	CA170, CB170, CE2140, CF2140		

 <p>1</p>			
<b>Part No.</b>	700927	<b>Ref. No.</b>	24500015000360 34500015000360 PMMR360
<b>description</b>	hinge bearing L 79mm W 54mm H 53mm mounting pos. centre		

## pullouts

### rollers


### rollers


 <p>1</p>			
<b>Part No.</b>	692665	<b>Ref. No.</b>	34000000000051
<b>description</b>	roller rollerø 25mm B1 6mm overall width 10mm A 25mm B 6mm C 10mm ø 9mm plastic Qty 1 pcs suitable for model DR/51		


### roller with holder

 <p>1</p>			
<b>Part No.</b>	692137	<b>Ref. No.</b>	34000000900155 PGPE155
<b>description</b>	roller rollerø 16mm B1 7mm with holder ZCS/ceramic mounting pos. inner bearing slide bearing Qty 1 pcs L 83mm tread plastic mounting distance 75mm		



			
1			
<b>Part No.</b>	692136	<b>Ref. No.</b>	34000000900154 PGPE154
<b>description</b>	roller rollerø 16mm B1 7mm with holder ZCS/ceramic mounting pos. outer bearing slide bearing Qty 1 pcs H 6mm L 83mm mounting distance 75mm		

			
1			
<b>Part No.</b>	701006	<b>Ref. No.</b>	24500026000004 34500026000004 PPS105
<b>description</b>	equipment foot thread M10 thread L 27mm ø 29mm H 41mm plastic WS 30 Qty 1 pcs		
<b>For models:</b>	BP7300, BS7300, BS77		

			
1			
<b>Part No.</b>	692138	<b>Ref. No.</b>	34000000900156 PGPE156
<b>description</b>	roller rollerø 25mm B1 6mm with holder SS/plastic mounting pos. upper bearing slide bearing Qty 1 pcs H 13mm L 56mm mounting distance 40mm		

<h3>bolting feet</h3>			
			
1			
<b>Part No.</b>	697835	<b>Ref. No.</b>	24500054100082 34500054100082 PPMP082
<b>description</b>	equipment foot ø 21mm H 12mm bore ø 4mm Qty 1 pcs		
<b>For models:</b>	MA610, MA614, MA67, MB610, MB614, MB67		

## equipment feet and end caps

### equipment feet


#### with fixing plate

			
1			
<b>Part No.</b>	700709	<b>Ref. No.</b>	24500026000001 24500026000002 34500026000001 34500026000002 PPR001
<b>description</b>	equipment foot tube ø 64mm plate size 80x100mm hole distance 60x80mm H 115-170mm SS size 2 2/3" Qty 1 pcs		
<b>For models:</b>	CA170, CA170SL, CB170, CB170SL, CE2140, CE2140SL, CF2140, CF2140SL, CW2140, CZ170, GE711, GE714, GE716, GE719, MD711, MD714, MD718, MF711, MF714, MF718, MH711, MH714, MH718, MI711, MI714, MI718, PM99, PM999, PM9999, PN2229, PN229, PN29, PN99, PN999, PN9999, ZQ99, ZQ999		


### miscellaneous


#### with fixing plate

#### ø100mm

			
1			
<b>Part No.</b>	700960	<b>Ref. No.</b>	24500020000609 34500020000609 PRRW609
<b>description</b>	swivel castor ø 100mm plate fixing housing chrome-plated steel plate size 105x85mm hole distance 79mm capacity 80kg bearing slide bearing wheel body PVC tread PVC H 125mm wheel width 32mm Qty 1 pcs		
<b>For models:</b>	CA170, CA170SL, CB170, CB170SL, CE2140, CE2140SL, CF2140, CF2140SL, CW2140, CZ170, PM99, PM999, PM9999, PN2229, PN229, PN29, PN99, PN999, PN9999, ZQ99, ZQ999		

### screw-in feet

			
1			
<b>Part No.</b>	701005	<b>Ref. No.</b>	24500026000003 34500026000003 PPT003
<b>description</b>	equipment foot thread M10 thread L 18mm ø 32.5mm H 75mm Qty 1 pcs		

			
1			
<b>Part No.</b>	700961 <sup>1</sup>	<b>Ref. No.</b>	24500020000608 34500020000608 PRRB608
<b>description</b>	swivel castor with brake ø 100mm plates fixing 105x85mm hole distance 79mm bearing ball bearing H 125mm wheel width 32mm		
<b>For models:</b>	CA170, CA170SL, CB170, CB170SL, CE2140, CE2140SL, CF2140, CF2140SL, CW2140, CZ170, PM99, PM999, PM9999, PN2229, PN229, PN29, PN99, PN999, PN9999, ZQ99, ZQ999		

<sup>1</sup>with swivel brake



## shelves and shelf rails

### grates

#### universal

#### without upstand



1

<b>Part No.</b>	970711	<b>Ref. No.</b>	24500044100523 34500044100523 SP9116
<b>description</b>	grate W 325mm D 445mm H 11mm plastic-coated steel wire gauge frame 9mm lengthwise wires gauge 4mm crossing wires 1 white		



1

<b>Part No.</b>	970712	<b>Ref. No.</b>	24500044100524 34500044100524 SP9117
<b>description</b>	grate W 325mm D 530mm GN 1/1 H 11mm plastic-coated steel wire gauge frame 9mm lengthwise wires gauge 4mm crossing wires 1 grey		



1

<b>Part No.</b>	970708	<b>Ref. No.</b>	24500044100190 34500044100190 SU7120/SL
<b>description</b>	grate W 534mm D 550mm H 11.5mm plastic-coated steel wire gauge frame 9mm lengthwise wires gauge 4mm crossing wires 2 white		



1

<b>Part No.</b>	970710	<b>Ref. No.</b>	24500044100180 34500044100180 SU2170
<b>description</b>	grate W 650mm D 530mm GN 2/1 H 11mm plastic-coated steel wire gauge frame 9mm lengthwise wires gauge 4mm crossing wires 2 white		

### shelf rails and supports

#### producer-specific



1

<b>Part No.</b>	700936	<b>Ref. No.</b>	34000000992715 POZS715
<b>description</b>	guide L 550mm W 14mm H 50mm mounting pos. left for drawer		
<b>For models:</b>	PN2229, PN229, PN29		



1

<b>Part No.</b>	700935	<b>Ref. No.</b>	34000000992714 POZS714
<b>description</b>	guide L 550mm W 14mm H 50mm mounting pos. right for drawer		
<b>For models:</b>	PN2229, PN229, PN29		



1

<b>Part No.</b>	700938	<b>Ref. No.</b>	34000000990075 PPXM075
<b>description</b>	guide U-shape L 323mm W 12mm mounting pos. right/left inner height 19mm		
<b>For models:</b>	MA610, MA614, MA67, MB610, MB614, MB67		



1



<b>Part No.</b>	700937	<b>Ref. No.</b>	34000000090074 PPXM074
<b>description</b>	guide U-shape L 508mm W 12mm mounting pos. right/left inner high 19mm		
<b>For models:</b>	MA610, MA614, MA67, MB610, MB614, MB67, MD711, MD714, MD718, MF711, MF714, MF718, MH711, MH714, MH718, MI711, MI714, MI718		

2



<b>Part No.</b>	700946	<b>Ref. No.</b>	34000000090392 OS116
<b>description</b>	pair of setting bar L-shape L 455mm W 11mm H 27mm		

1



<b>Part No.</b>	700944	<b>Ref. No.</b>	34000000000160 OS21/SL
<b>description</b>	pair of setting bar L-shape L 545mm W 18mm H 26mm		

1



<b>Part No.</b>	700943	<b>Ref. No.</b>	34000550000000 OS117
<b>description</b>	pair of setting bar L-shape L 555mm W 12mm H 26mm mounting pos. left/right		

1



<b>Part No.</b>	700941	<b>Ref. No.</b>	34000000000121 OS21
<b>description</b>	pair of setting bar L-shape L 645mm W 19mm H 26mm mounting pos. left/right		

1



<b>Part No.</b>	700945	<b>Ref. No.</b>	34000000903855 OS21/P
<b>description</b>	pair of setting bar L-shape L 660mm W 18mm H 27mm mounting pos. left/right		

1



<b>Part No.</b>	700940	<b>Ref. No.</b>	34000700000000 OS21/O
<b>description</b>	pair of setting bar L-shape L 702mm W 19mm H 26mm		

1




<b>Part No.</b>	700942	<b>Ref. No.</b>	34000550000001 OS117/C
<b>description</b>	pair of setting bar old edition L 555mm W 12mm H 26mm		


1



<b>Part No.</b>	700939	<b>Ref. No.</b>	34000700000001 OS21/C
<b>description</b>	pair of setting bar U-shape L 697mm W 19mm old edition inner high 15.5mm		



			
1			
<b>Part No.</b>	700934	<b>Ref. No.</b>	24500014000641 34500014000641 PPSO641
<b>description</b>	pin for setting bar L 27mm W 13mm bore ø 4.5mm		
<b>For models:</b>	CA170, CA170SL, CB170, CB170SL, CE2140, CE2140SL, CF2140, CF2140SL, CW2140, CZ170		

			
2			
<b>Part No.</b>	700931	<b>Ref. No.</b>	24500021000553 34500021000553 PPPS553
<b>description</b>	shelf support L 20.6mm ø 10mm		

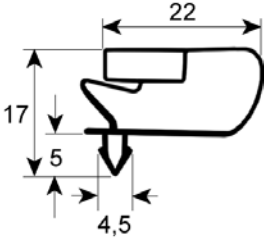
## gaskets

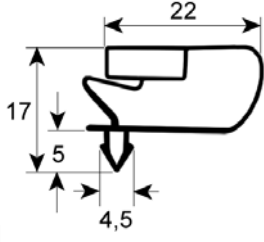
### refrigeration gaskets

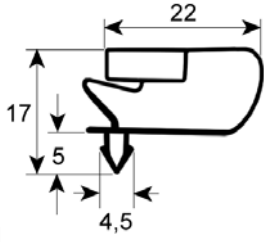
#### plug-in gaskets

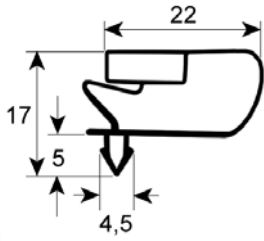
#### profile 9796

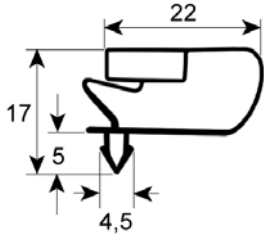
We offer custom-made gaskets for this profile

			
1			
<b>Part No.</b>	900894	<b>Ref. No.</b>	24500057100085 24500057100089 34500057100085 34500057100089 34500057100085 PLSC085 PLSC089
<b>description</b>	refrigeration gasket profile 9796 W 305mm L 405mm plug size		
<b>For models:</b>	PN2229, PN229, PN29		

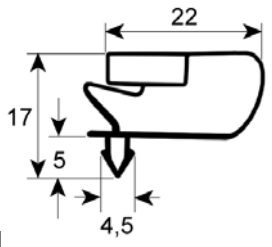
			
1			
<b>Part No.</b>	900895	<b>Ref. No.</b>	24500057100433 24500057100577 34500057100433 34500057100577 PLLC433 PLLC577
<b>description</b>	refrigeration gasket profile 9796 W 405mm L 480mm plug size		
<b>For models:</b>	BP7300, BS7300, BS77		

			
1			
<b>Part No.</b>	900896	<b>Ref. No.</b>	24500057100087 24500057100504 34500057100087 34500057100504 PLMC087 PLMC504
<b>description</b>	refrigeration gasket profile 9796 W 405mm L 650mm plug size		
<b>For models:</b>	PM99, PM999, PM9999, PN2229, PN229, PN29, PN99, PN999, PN9999, ZQ99, ZQ999		

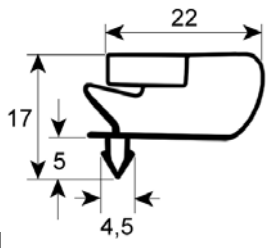
			
1			
<b>Part No.</b>	900897	<b>Ref. No.</b>	24500057100088 34500057100088 PLLC088
<b>description</b>	refrigeration gasket profile 9796 W 515mm L 650mm plug size		

			
1			
<b>Part No.</b>	900900	<b>Ref. No.</b>	24500057100086 34500057100086 PLLR086
<b>description</b>	refrigeration gasket profile 9796 W 650mm L 1595mm plug size		
<b>For models:</b>	CA170, CB170, CE2140, CF2140		

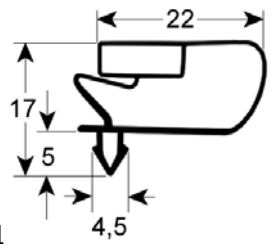




<b>Part No.</b>	900899	<b>Ref. No.</b>	24500057100091 24500057100236 34500057100091 34500057100236 PLMR091 PLMR236
<b>description</b>	refrigeration gasket profile 9796 W 660mm L 785mm plug size		



<b>Part No.</b>	900898	<b>Ref. No.</b>	24500057100084 24500057100090 34500057100084 34500057100090 PLLR084 PLLR090
<b>description</b>	refrigeration gasket profile 9796 W 670mm L 1620mm plug size		
<b>For models:</b>	CA170, CA170SL, CB170, CB170SL, CE2140, CE2140SL, CF2140, CF2140SL, CW2140, CZ170		



<b>Part No.</b>	902309	<b>Ref. No.</b>	N/A
<b>description</b>	refrigeration gasket profile 9796 Wmm L 2500mm		

## refrigeration cycle components


### filter driers

#### CARLY



<b>Part No.</b>	750288	<b>Ref. No.</b>	24500029100680 PFLK680
<b>description</b>	dryer type DCY052S ø 52mm L 112.5mm connection 1: 1/4"mm connection 2: 1/4"mm		
<b>For models:</b>	CB170, CB170SL, CF2140, CF2140SL		

#### DENA




<b>Part No.</b>	692507	<b>Ref. No.</b>	34500029100680
<b>description</b>	dryer type MG112-05 2S connection 1/4" 80cm³ ø 57mm		

### miscellaneous



<b>Part No.</b>	750254	<b>Ref. No.</b>	24500029100476 34500029100476 PFLP476
<b>description</b>	dryer size 20g ø 19mm L 138mm connection 2,5/6,2mm		
<b>For models:</b>	WV179, WV224		




1 

<b>Part No.</b>	750291	<b>Ref. No.</b>	24500029100419 34500029100419 PFLR419
<b>description</b>	dryer size 50g ø 24mm L 373mm connection 2.4/4.8mm connection 3: 6.4		
<b>For models:</b>	BP7300, BS7300, BS77, CA170, CA170SL, CE2140, CE2140SL, CW2140, CZ170, PM99, PM999, PM9999, PN2229, PN229, PN29, PN99, PN999, PN9999, ZQ99, ZQ999		


## evaporators

for fridges


producer-specific

1 

<b>Part No.</b>	750309	<b>Ref. No.</b>	34500035000006 PEVR006
<b>description</b>	evaporator 743W VT -8°C heat output 563W L 738mm W 140mm H 430mm complete with fan		
<b>For models:</b>	CE2140, CE2140SL, CW2140		

1 


<b>Part No.</b>	750710	<b>Ref. No.</b>	34500035000373 P-COIL-371
<b>description</b>	evaporator for model CB,CB/SL,CZ L 410mm W 160mm H 167mm total length 440mm overall width 330mm overall height 210mm connection soldering connectionmm		
<b>For models:</b>	CA170, CA170SL		


1 

<b>Part No.</b>	750290	<b>Ref. No.</b>	34000094000016 PCOIL016
<b>description</b>	evaporator L 340mm W 95mm H 325mm		

1 

<b>Part No.</b>	750289	<b>Ref. No.</b>	34000094000020 PCOIL020
<b>description</b>	evaporator L 375mm W 95mm H 250mm		

1 

<b>Part No.</b>	750307	<b>Ref. No.</b>	34000094001016 34000094223016 PEVC016 P- EVC-223
<b>description</b>	evaporator L 385mm W 100mm H 390mm 224W with drain pan		
<b>For models:</b>	PM99, PM999, PM9999, PN2229, PN229, PN29, PN99, PN999, PN9999		
<b>spare parts for</b>	750307		
	<b>Part No.</b>	750711	<b>Ref. No.</b>
	drip tray for evaporator L 415mm W 110mm H 40mm		

1 

<b>Part No.</b>	750432	<b>Ref. No.</b>	34009400100016 P-EVC-116
<b>description</b>	evaporator L 390mm W 100mm H 390mm		
<b>For models:</b>	ZQ99, ZQ999		



1

<b>Part No.</b>	750395	<b>Ref. No.</b>	34000094000017 P-COIL-017
<b>description</b>	evaporator L 440mm W 115mm H 160mm overall width 190mm overall height 350mm		



1

<b>Part No.</b>	750308	<b>Ref. No.</b>	34500035000005 PEVR005
<b>description</b>	evaporator L 560mm W 123mm H 430mm suitable for INOMAK / up to SNR. 1294792 complete with fan		
<b>For models:</b>	CA170, CA170SL		



1

<b>Part No.</b>	750411	<b>Ref. No.</b>	P-EVF-347
<b>description</b>	evaporator L 560mm W 430mm H 140mm complete with fan		
<b>For models:</b>	CB170, CB170SL, CZ170		



1

<b>Part No.</b>	750396	<b>Ref. No.</b>	345000350000377 P-COIL-377
<b>description</b>	evaporator L 715mm W 115mm H 160mm overall width 185mm overall height 330mm		
<b>For models:</b>	CF2140, CF2140SL, CW2140		



1

<b>Part No.</b>	750397	<b>Ref. No.</b>	34000094000018 P-COIL-018
<b>description</b>	evaporator L 720mm W 115mm H 160mm overall width 220mm overall height 340mm		

## for saladettes



1

<b>Part No.</b>	750433	<b>Ref. No.</b>	34000940010016 P-EVC-105
<b>description</b>	evaporator L 390mm W 100mm H 330mm		
<b>For models:</b>	BP7300, BS7300, BS77		

## accessories




1

<b>Part No.</b>	750709	<b>Ref. No.</b>	34500024000002 P-EPC-002
<b>description</b>	cover for evaporator CA,CB,CZ,CA/SL,CB/SL L 475mm W 435mm H 185mm		
<b>For models:</b>	CA170, CA170SL, CB170, CB170SL, CZ170		



## evaporation and condensing trays

### evaporation trays


 <p>1</p>			
<b>Part No.</b>	750711	<b>Ref. No.</b>	34500024000123 P-KED-123
<b>description</b>	drip tray for evaporator L 415mm W 110mm H 40mm		

## valves and tank inlets

### ball valves

#### universal


#### mini ball valves

 <p>1</p>			
<b>Part No.</b>	520486	<b>Ref. No.</b>	24500033000003 34500033000003 PBEM003
<b>description</b>	ball valve angled connection 1/2" ET - 1/2" ET DN15 total length 79x54mm		
<b>For models:</b>	MA610, MA614, MA67, MB610, MB614, MB67		

#### ball valves with lever handle

 <p>1</p>			
<b>Part No.</b>	520280	<b>Ref. No.</b>	24500028100303 34500028100303 PBEM303
<b>description</b>	ball valve connection 1/2" IT - 1/2" IT DN15 total length 50mm with lever handle handle length 85mm		
<b>For models:</b>	MD711, MD714, MD718, MF711, MF714, MF718, MH711, MH714, MH718, MI711, MI714, MI718		

## tank inlets

 <p>1</p>			
<b>Part No.</b>	694303	<b>Ref. No.</b>	24500028000000 34500028000000 PBEM000
<b>description</b>	tank inlet connection 1/2" WS 19 L1 9mm L2 21mm ø 25mm		
<b>For models:</b>	MA610, MA614, MA67, MB610, MB614, MB67		

## drain systems and wash basins

### U-bends

 <p>1</p>			
<b>Part No.</b>	515115	<b>Ref. No.</b>	24500023100223 34500023100223 PDSE223/1
<b>description</b>	drain connection ø 29mm plastic grey		

 <p>1</p>			
<b>Part No.</b>	515113	<b>Ref. No.</b>	24500023100244 34500023100244 PDSF244
<b>description</b>	funnel ø 46mm plastic grey H 39mm L 71mm		
<b>For models:</b>			





 <p>1</p>			
<b>Part No.</b>	515111	<b>Ref. No.</b>	34000000000150 PRDS150
<b>description</b>	U-bend kit ø 18mm plastic grey		
<b>For models:</b>	CA170, CA170SL, CB170, CB170SL, CE2140, CF2140, CW2140, CZ170		
<b>spare parts for</b>	515111		
	<b>Part No.</b>	515112	<b>Ref. No.</b>
	U-bend tube ø 18mm plastic grey L 180mm		

Table continues overleaf

1  
mechanical components,  
equipment accessories



spare parts for		515111	
	Part No.	515113	Ref. No.
funnel ø 46mm plastic grey H 39mm L 71mm			
	Part No.	515114	Ref. No.
U-bend tube ø 22.5mm plastic grey L 57mm			
	Part No.	515115	Ref. No.
drain connection ø 29mm plastic grey			




Part No.		515109	Ref. No.	34000000000042 PRDS042
----------	--	--------	----------	---------------------------


description U-bend Slim Line ø 18mm plastic grey

For models: CA170SL, CB170SL, CE2140SL, CF2140SL


spare parts for		515109	
-----------------	--	--------	--

	Part No.	515112	Ref. No.
---	----------	--------	----------

U-bend tube ø 18mm plastic grey L 180mm

	Part No.	515113	Ref. No.
--	----------	--------	----------

funnel ø 46mm plastic grey H 39mm L 71mm

	Part No.	515115	Ref. No.
---	----------	--------	----------

drain connection ø 29mm plastic grey



Part No.		515112	Ref. No.	24500023100255 34500023100255 PDSP255
----------	--	--------	----------	---

description U-bend tube ø 18mm plastic grey L 180mm

For models: CA170, CA170SL, CB170, CB170SL, CE2140, CE2140SL, CF2140, CF2140SL, CW2140, CZ170



Part No.		515114	Ref. No.	24500023100265 34500023100265 PDSP265
----------	--	--------	----------	---

description U-bend tube ø 22.5mm plastic grey L 57mm

For models: CA170, CA170SL, CB170, CB170SL, CE2140, CF2140, CW2140, CZ170

## fastening material

### fasteners

#### retainer clips



Part No.		694304	Ref. No.	24500053100226 34500053100226 PSPIN226
----------	--	--------	----------	--

description retainer clip L 16.5mm wire gauge ø 1mm SS Qty 2 pcs

For models: CB170, CB170SL, CF2140, CF2140SL, CW2140, CZ170

**GASTRO**PARTS.COM

