



GASTROPARTS

IMESA

- [EN]** Equipment
- [DE]** Geräte
- [ES]** Aparatos
- [FR]** Équipement
- [IT]** Attrezzature
- [PL]** Urządzenia
- [RU]** Оборудование

✉ gastroparts@gastroparts.com

☎ +48 56 657 00 66

📘 fb.com/gastroparts.global



GASTROPARTS.COM





heating elements

heating elements for pasta cookers


			
1			
Part No.	419078	Ref. No.	6A037220
description	heating element 9000W 230V heating circuits 3 L 480mm W 34mm H 52mm tube \varnothing 8.5mm thermostat sleeves \varnothing 7.5mm length thermostat sleeves 215mm H1 17mm H2 35mm mounting \varnothing 47.5mm number of thermostat sleeves 1 thermostat sleeve eccentric, clinging immersion heater		
accessories for	419078		
	Part No.	510408	Ref. No.
			—
	O-ring EPDM thickness 5.34mm ID \varnothing 47mm Qty 1 pcs		

switches and momentary switches

microswitches


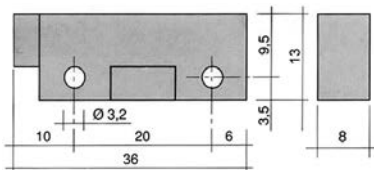

pin-plunger actuated

M10

			
1			
Part No.	347216	Ref. No.	2950MSIOB
description	microswitch with plunger thread M10x0.75 thread L 14mm 250V 10A 1CO connection male faston 6.3mm stroke 7.5mm mounting distance 22mm L 28mm ambient temperature max. 125°C type NR6K5 actuating force: 260g		


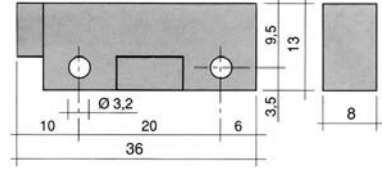
magnetic switches

36x13mm

			
1			
			
Part No.	345335	Ref. No.	2950SENSM510
description	magnetic switch L 36mm W 13mm 1NO 250V 0.04A P max. 10W connection cable cable length 960mm		
accessories for	345335		
	Part No.	519049	Ref. No.
			—
	magnet \varnothing mm L 63mm H 10.7mm W 18.8mm hole distance 52mm M2 hole \varnothing 2mm		

accessories

magnets






			
1			
			
Part No.	345398	Ref. No.	2950MAGNE302 2950MAGNM302
description	magnet \varnothing mm L 36mm H 8mm W 13mm hole distance 20mm M3 hole \varnothing 3mm		

electronic controllers

ELIWELL

universal controllers

built-in version

			
1			
Part No.	379559	Ref. No.	2950EW901SON
description	electronic controller ELIWELL type IC901 mounting measurements 71x29mm 12V voltage AC/DC NTC/PTC relay outputs 1 relay refrigeration front measurements 74x32mm built-in depth 60mm protection IP65 accuracy superior to 0.5% from final value% defr. funct. no -55 up to +150°C display 2½ digit TempIn1 yes 15A		
accessories for	379559		
	Part No.	379053	Ref. No.
			—
	temperature probe PTC 1kOhm cable PVC probe -50 up to +150°C cable -10 up to 100°C probe \varnothing 6x30mm cable length 3m without screw connection 2-wire		
	Part No.	379064	Ref. No.
			—
	temperature probe PTC 1kOhm cable silicone probe -50 up to +150°C cable -50 up to +180°C probe \varnothing 6x40mm cable length 3m without screw connection 2-wire		
	Part No.	379161	Ref. No.
			—
	temperature probe NTC 10kOhm cable thermoplastic probe -40 up to +110°C cable -40 up to +110°C probe \varnothing 6x14mm cable length 3m without screw connection 2-wire		
	Part No.	379782	Ref. No.
			—
	temperature probe PTC 1kOhm cable thermoplastic probe -50 up to +150°C cable -40 up to +110°C probe \varnothing 6x14mm cable length 3m 2-wire resistor 1kOhm		



solenoid valves

solenoid valves (water)

RPE



1

Part No.	374006	Ref. No.	2953 EA1D3522
-----------------	--------	-----------------	---------------

description solenoid valve single straight 230VAC inlet 3/4" outlet 13mm input 10l/min DN10 RPE

spare parts for 374006



Part No.	371015	Ref. No.	—
solenoid coil RPE 230VAC 8.4VA 50/60Hz seat \varnothing 9mm connection male faston 6.3mm			

solenoid valves with reducers

2-fold



1

Part No.	374007	Ref. No.	2953EA2D3522
-----------------	--------	-----------------	--------------

description solenoid valve double straight 230VAC inlet 3/4" outlet 14mm input 10-12l/min RPE

spare parts for 374007



Part No.	371015	Ref. No.	—
solenoid coil RPE 230VAC 8.4VA 50/60Hz seat \varnothing 9mm connection male faston 6.3mm			

metal

M&M

2-way

B204/205/206 series



1

Part No.	370076	Ref. No.	2950EA180522 2950EASNCG34
-----------------	--------	-----------------	------------------------------

description solenoid valve 2-ways 230VAC connection 3/4" L 82mm DN 25mm slide-on receptacle compact -10 up to +90°C M&M type series B204/205/206 coil type 2700 membranes NBR (water) p max 16bar p min 0.3bar

spare parts for 370076



Part No.	371022	Ref. No.	—
solenoid coil M&M 230VAC 10VA 50Hz coil type 2700 seat \varnothing 10mm			

accessories for 370076



Part No.	371091	Ref. No.	—
power socket plug type DIN 43650B cable lengthmm small			

D-890 series



1

Part No.	370683	Ref. No.	2950ES340NCV
-----------------	--------	-----------------	--------------

description solenoid valve 2-ways 230VAC inlet 3/4" outlet 3/4" connection 3/4" L 85mm DN 11.5mm t.max. 150°C slide-on receptacle DIN -10 up to +150°C type series D890DPV coil type 7701 p max 4.5bar p min 0.3bar 50/60Hz brass voltage AC

drain valves



1

Part No.	370789	Ref. No.	2754DODNO222
-----------------	--------	-----------------	--------------

description drain valve 220-240V 50/60Hz NO inlet 50mm outlet 50/35mm MDB-O-2-SO



1

Part No.	371138	Ref. No.	2754DODNO322
-----------------	--------	-----------------	--------------

description drain valve 230V 50/60Hz electric inlet 77mm outlet 80/35mm model MDB-O-3

pressure switches

for gas equipment



1

Part No.	542130	Ref. No.	ES10/34 +E130501
-----------------	--------	-----------------	------------------

description pressure control \varnothing 82mm kit 250V

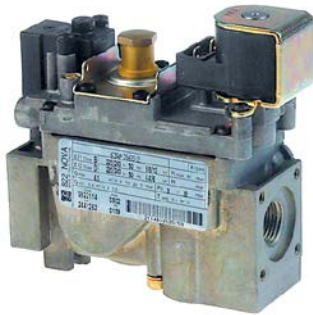


gas valves and ignition boxes









gas control valves

SIT

NOVASIT



1

Part No.	101914	Ref. No.	3970VA822220
description	gas valve SIT series Novasit 822 230V 50Hz gas inlet 1/2" gas outlet 1/2" thermocouple connection pilot connection closed ignition pressurembar pressure range 3-30mbar pressure regulator connection blind equiv. no. 0.822.144		
spare parts for	101914		
	Part No.	101313	Ref. No. —
	solenoid coil 230V 50Hz		
	Part No.	101542	Ref. No. —
	solenoid coil 50Hz NOVA 822/826/827 suitable for NOVASIT 230V		
accessories for	101914		
	Part No.	101305	Ref. No. —
	gas connection straight 1/2" flange 45x45mm ELETTROSIT/V4400/4600/4605 suitable for SIT/HONEYWELL hole distance 36x36mm		
	Part No.	101306	Ref. No. —
	gas connection angled flange 45x45mm hole distance 36x36mm 1/2" ELETTROSIT/V4400/4600/4605 screw with O-ring suitable for SIT/HONEYWELL		
	Part No.	101307	Ref. No. —
	gas connection straight flange 45x45mm hole distance 36x36mm 3/4" ELETTROSIT/V4400/4600/4605 screw with O-ring suitable for SIT/HONEYWELL		
	Part No.	101308	Ref. No. —
	gas connection angled flange 45x45mm hole distance 36x36mm 3/4" ELETTROSIT/V4400/4600/4605 screw with O-ring suitable for SIT/HONEYWELL		
	Part No.	101503	Ref. No. —
	O-ring EPDM thickness 2mm ID ø 32mm Qty 1 pcs		
	Part No.	101924	Ref. No. —
	plug with cable L 1090mm suitable for NOVA 822/826/827		

auxiliary gas parts

pressure switches



1

Part No.	542130	Ref. No.	ES10/34 +E130501
description	pressure control ø 82mm kit 250V		

transmission technology and ball bearings

ball bearings

deep-groove ball bearings 2Z



1

Part No.	692000	Ref. No.	1937C62022Z ASK8004439
description	deep-groove ball bearing shaft ø 15mm ED ø 35mm W 11mm type 6202-2Z DIN 625-1		

GASTROPARTS.COM

