



**GASTROPARTS**

# Hounö

- [EN]** Equipment
- [DE]** Geräte
- [ES]** Aparatos
- [FR]** Équipement
- [IT]** Attrezzature
- [PL]** Urządzenia
- [RU]** Оборудование

✉ [gastroparts@gastroparts.com](mailto:gastroparts@gastroparts.com)

☎ +48 56 657 00 66

📘 [fb.com/gastroparts.global](https://fb.com/gastroparts.global)


**GASTROPARTS.COM**







## heating elements

### heating elements for heated cabinets


1 			
<b>Part No.</b>	420215	<b>Ref. No.</b>	032033 072417
<b>description</b>	heating element 3300W 235V heating circuits 1 L 50mm W 550mm H 38mm flange length 50mm flange width 26mm connection cable tube ø 8.5mm cable length 1800mm flange connection hole ø 5mm dry heating element		


### immersion heating elements

#### with compression flange 50 x 26mm


1 			
<b>Part No.</b>	419129	<b>Ref. No.</b>	072406 20720278
<b>description</b>	heating element 1300W 230V heating circuits 1 flange 50x26mm L 380mm W 60mm L1 31mm L2 345mm W1 20mm W2 33mm compression flange cable length 1500mm tube ø 8.5mm fittings		
<b>accessories for</b>	419129		
	<b>Part No.</b>	520562	<b>Ref. No.</b> 070101
	gasket L 44mm W 21mm D1 ø 9mm D2 ø 9mm hole ø 5.5mm thickness 4mm for heating element suitable for HOUNÖ		



#### with expansion flange 70 x 18mm


1 			
<b>Part No.</b>	419165	<b>Ref. No.</b>	072415
<b>description</b>	heating element 5000W 235V heating circuits 2 flange 70x18mm L 325mm W 63mm connection male faston 6.3mm tube ø 8.5mm expansion flange		


1 			
<b>Part No.</b>	419131	<b>Ref. No.</b>	031917
<b>description</b>	heating element 5000W 235V heating circuits 2 flange 70x18mm L 325mm W 63mm with probe K 1100 connection male faston 6.3mm tube ø 8.5mm expansion flange connection length 35mm		

### miscellaneous



1 			
<b>Part No.</b>	511653	<b>Ref. No.</b>	20600007
<b>description</b>	gasket silicone L 82mm W 82mm thickness 3mm		

1 			
<b>Part No.</b>	420371	<b>Ref. No.</b>	20700045 20700047 30720643
<b>description</b>	heating element 7500W 240-415V heating circuits 3 L 200mm W 40mm H 65mm number of thermostat sleeves 2 thermostat sleeves ø 5.6mm length thermostat sleeves 200mm thermostat sleeve upper hole distance 600mm hole ø 6.6mm cable length 590mm connection cable immersion heater flange width 820mm flange length 820mm SS included		
<b>accessories for</b>	420371		
	<b>Part No.</b>	511653	<b>Ref. No.</b> 20600007
	gasket silicone L 82mm W 82mm thickness 3mm		


1 			
<b>Part No.</b>	420582	<b>Ref. No.</b>	30720642
<b>description</b>	heating element 9000W 208V heating circuits 3 L 205mm W 40mm H 74mm number of thermostat sleeves 2 thermostat sleeves ø 6mm length thermostat sleeves 185mm thermostat sleeve eccentric, clinging tube ø 6.5mm hole distance 64mm hole ø 6mm cable length 600mm connection cable 4 hole flange steam generator flange width 82mm flange length 82mm with gasket		


1 			
<b>Part No.</b>	420575	<b>Ref. No.</b>	30720641
<b>description</b>	heating element 9000W 240/415V heating circuits 3 L 203mm W 38mm H 66mm number of thermostat sleeves 2 thermostat sleeves ø 6mm length thermostat sleeves 185mm thermostat sleeve eccentric, clinging tube ø 6.5mm hole distance 64mm hole ø 6.5mm cable length 620mm flange steam generator flange width 82mm flange length 82mm		





			
1			
<b>Part No.</b>	420148	<b>Ref. No.</b>	20700028
<b>description</b>	heating element 9000W 240V heating circuits 3 L 202mm W 38mm H 66mm number of thermostat sleeves 2 thermostat sleeves ø 5.4mm length thermostat sleeves 180mm thermostat sleeve eccentric, clinging tube ø 6.3mm hole distance 60/64mm hole ø 6.5mm cable length 590mm connection cable flange immersion heater flange width 82mm flange length 82mm		
<b>accessories for</b>	420148		
	<b>Part No.</b>	511653	<b>Ref. No.</b> 20600007
	gasket silicone L 82mm W 82mm thickness 3mm		


## heating elements for convection


			
1			
<b>Part No.</b>	417767	<b>Ref. No.</b>	20700062
<b>description</b>	heating element 12000W 240V heating circuits 3 ID ø 390mm ED ø 400mm L 435mm H 120mm W1 140mm H1 35mm H2 80mm flange length 155mm flange width 25mm hole distance 23mm connection male faston 6.3mm connection length 80mm tube ø 6.5mm dry heating element hole ø 6.5mm mounting pos. inner rectangular flange		

			
1			
<b>Part No.</b>	417762	<b>Ref. No.</b>	30700076
<b>description</b>	heating element 6900-9200W 208-240V heating circuits 2 ID ø 225mm ED ø 270mm L 295mm H 68mm L1 15mm W1 63mm H1 8mm H2 57mm flange length 142mm flange width 25mm connection male faston 6.3mm tube ø 8.5mm convection heating element mounting thread M5 hole ø 5mm rectangular flange with thread bolt		


			
1			
<b>Part No.</b>	420419	<b>Ref. No.</b>	20700009 20700059
<b>description</b>	heating element 9000W 240V heating circuits 3 ID ø 395mm ED ø 405mm L 422mm H 120mm W1 148mm H1 50mm H2 87mm flange length 156mm flange width 25mm hole distance 25mm connection F6.3 hole ø 6.1mm		

			
1			
<b>Part No.</b>	417768	<b>Ref. No.</b>	20700060
<b>description</b>	heating element 9000W 240V heating circuits 3 ID ø 460mm ED ø 470mm L 520mm H 135mm W1 145mm H1 50mm H2 85mm flange length 155mm flange width 25mm hole distance 23mm connection male faston 6.3mm connection length 80mm tube ø 6.5mm dry heating element hole ø 6.5mm mounting pos. inner rectangular flange		

			
1			
<b>Part No.</b>	417766	<b>Ref. No.</b>	20700061
<b>description</b>	heating element 9000W 240V heating circuits 3 ID ø 540mm ED ø 530mm L 580mm H 120mm W1 140mm H1 30mm H2 90mm flange length 155mm flange width 25mm hole distance 23mm connection male faston 6.3mm connection length 80mm tube ø 6.5mm dry heating element hole ø 6.5mm mounting pos. inner rectangular flange		


			
1			
<b>Part No.</b>	420174	<b>Ref. No.</b>	072403
<b>description</b>	heating element 1650W 230V heating circuits 1 L 285mm W 100mm L1 32mm L2 250mm W2 83mm flange length 50mm flange width 26mm tube ø 8mm cable length 1500mm W1 23mm convection heating element		




			
1			
<b>Part No.</b>	420175	<b>Ref. No.</b>	072404
<b>description</b>	heating element 1650W 230V heating circuits 1 L 565mm W 55mm L1 32mm L2 530mm W2 30mm flange length 50mm flange width 26mm tube ø 8mm cable length 1500mm W1 23mm convection heating element		

accessories

flange gaskets


			
1			
<b>Part No.</b>	698523	<b>Ref. No.</b>	20700008
<b>description</b>	gasket L 155mm W 24.5mm D2 ø 7mm hole ø 9mm hole distance 12mm 13 holes graphite thickness 2.2mm		

			
1			
<b>Part No.</b>	520562	<b>Ref. No.</b>	070101
<b>description</b>	gasket L 44mm W 21mm D1 ø 9mm D2 ø 9mm hole ø 5.5mm thickness 4mm for heating element suitable for HOUNÖ		

thermostats

bi-metal thermostats

bi-metal thermostats

			
1			
<b>Part No.</b>	390963	<b>Ref. No.</b>	20800087
<b>description</b>	bi-metal thermostat hole distancemm switch-off temp. 120°C 1NC 1-pole 10A 250V connection F6.3 M4		

control and safety thermostats

EGO


safety thermostats


55.32\_ series

			
1			
<b>Part No.</b>	375988	<b>Ref. No.</b>	062550
<b>description</b>	safety thermostat switch-off temp. 305°C 3-pole probe ø 6mm probe L 77mm capillary pipe isolatedmm gland nut starting temperature 20°C		

JUMO

safety thermostats

			
1			
<b>Part No.</b>	375969	<b>Ref. No.</b>	20800022
<b>description</b>	safety thermostat switch-off temp. 135°C 1-pole 1CO 16A probe ø 4mm probe L 150mm capillary pipe 1500mm capillary pipe isolated 580mm shaft ø 5.4mm		

			
1			
<b>Part No.</b>	370763	<b>Ref. No.</b>	20800011 20820011 30820046 602031/80
<b>description</b>	safety thermostat switch-off temp. 350°C 1-pole 1CO 2.5A probe ø 5mm probe L 48mm capillary pipe 950mm capillary pipe isolated 500mm gland nut probe SS copper screw connection M12 230V 602031/80		

## switches and momentary switches

### magnetic switches

ø 4mm



1

<b>Part No.</b>	381268	<b>Ref. No.</b>	20820012 20820014
<b>description</b>	magnetic switch probe L 57mm 1NO connection plug cable length 800mm Reed		

### miscellaneous



1

<b>Part No.</b>	348039	<b>Ref. No.</b>	30800016
<b>description</b>	magnetic switch 1NO connection cable L 65mm L1 38mm L2 64mm mounting distance 50mm for door		

## encoders and potentiometers



1

<b>Part No.</b>	403484	<b>Ref. No.</b>	20900026 30900064
<b>description</b>	encoder shaft L 10mm cable length 90mm shaft 6mm		

## lamps

### screw-on/push-on fit

#### light bulbs

#### for ovens



1

<b>Part No.</b>	359610	<b>Ref. No.</b>	065010
<b>description</b>	light bulb t.max. 300°C socket E14 15W 230V ø 22mm L 47mm lens L 20mm for oven lamp type Philips		

#### halogen lamp

for socket G4 / G6.35 / G9



1

<b>Part No.</b>	359596	<b>Ref. No.</b>	065016 065044
<b>description</b>	halogen lamp socket G4 12V 10W temp.-resist. 500°C		



1

<b>Part No.</b>	359599	<b>Ref. No.</b>	065012
<b>description</b>	halogen lamp socket G4 12V 20W temp.-resist. 500°C		

### oven lamps

#### producer-specific oven lamps

#### HOUNÖ



1

<b>Part No.</b>	699627	<b>Ref. No.</b>	20100107
<b>description</b>	gasket suitable for HOUNO combi-steamer mounting pos. for lens ED ø 65mm ID ø 53mm graphite thickness 0.6mm		



1

<b>Part No.</b>	699628	<b>Ref. No.</b>	20100106 30100147
<b>description</b>	gasket suitable for HOUNO combi-steamer mounting pos. for lens ED ø 83mm ID ø 52mm Viton thickness 3mm		



1


<b>Part No.</b>	360762	<b>Ref. No.</b>	014576
<b>description</b>	glass panel ø 63mm thickness 3.5mm		






1


<b>Part No.</b>	360618	<b>Ref. No.</b>	20120131
<b>description</b>	lamp glass with rubber gasket mounting ø 85mm		





 <p>1</p>			
<b>Part No.</b>	357092	<b>Ref. No.</b>	066019 066020
<b>description</b>	lamp socket socket G4 ø 17mm H 9mm with 2 hole fixing mounting distance 12mm cord length 450mm		


 <p>1</p>			
<b>Part No.</b>	694503	<b>Ref. No.</b>	014575
<b>description</b>	gasket ø 82mm hole ø 51mm for lamp lenses		

 <p>1</p>			
<b>Part No.</b>	694502	<b>Ref. No.</b>	037519
<b>description</b>	lamp glass metal glas with frame and gasket ø 85mm		
<b>accessories for</b>	694502		
	<b>Part No.</b>	<b>Ref. No.</b>	
	694503	014575	
<b>description</b>	 gasket ø 82mm hole ø 51mm for lamp lenses		


 <p>1</p>			
<b>Part No.</b>	357092	<b>Ref. No.</b>	066019 066020
<b>description</b>	lamp socket socket G4 ø 17mm H 9mm with 2 hole fixing mounting distance 12mm cord length 450mm		

<b>lamps</b>			
<b>light bulbs</b>			
 <p>1</p>			
<b>Part No.</b>	359610	<b>Ref. No.</b>	065010
<b>description</b>	light bulb t.max. 300°C socket E14 15W 230V ø 22mm L 47mm lens L 20mm for oven lamp type Philips		


<b>halogen lamps</b>			
for socket G4 / G6.35 / G9			
 <p>1 <b>500°C</b></p>			
<b>Part No.</b>	359596	<b>Ref. No.</b>	065016 065044
<b>description</b>	halogen lamp socket G4 12V 10W temp.-resist. 500°C		

 <p>1 <b>500°C</b></p>			
<b>Part No.</b>	359599	<b>Ref. No.</b>	065012
<b>description</b>	halogen lamp socket G4 12V 20W temp.-resist. 500°C		

**alarm devices**

<b>alarm units</b>			
 <p>1</p>			
<b>Part No.</b>	353000	<b>Ref. No.</b>	30800047
<b>description</b>	alarm device 2 hole fixing		

**contactors**

<b>ABB</b>			
<b>power contactors</b>			
 <p>1</p>			
<b>Part No.</b>	381262	<b>Ref. No.</b>	061625
<b>description</b>	power contactor resistive load 20A 24VAC (AC3/400V) 12A/4kW main contacts 2x3NO auxiliary contacts 2x1NO connection screw connection type VB6-30-10 / VB7-30-10		

 <p>1</p>			
<b>Part No.</b>	380107	<b>Ref. No.</b>	061624
<b>description</b>	power contactor resistive load 25A 24VAC (AC3/400V) 9A/4kW main contacts 3NO auxiliary contacts 1NC connection screw connection type A9-30-01		




1

<b>Part No.</b>	381263	<b>Ref. No.</b>	61246
<b>description</b>	power contactor resistive load 30A 24VAC (AC3/400V) 17A/7.5kW main contacts 4NO auxiliary contacts connection screw connection type A16-40-00		




1

<b>Part No.</b>	381264	<b>Ref. No.</b>	61248
<b>description</b>	power contactor resistive load 40A 24VAC (AC3/400V) 26A/11kW main contacts 4NO auxiliary contacts connection screw connection type A26-40-00		



1

<b>Part No.</b>	381265	<b>Ref. No.</b>	61265
<b>description</b>	power contactor resistive load 55A 24VAC (AC3/400V) 30A/15kW main contacts 3NO auxiliary contacts 1NO connection screw connection type A30-30-10		



1

<b>Part No.</b>	381266	<b>Ref. No.</b>	61247
<b>description</b>	power contactor resistive load 70A 24VAC (AC3/400V) 45A/18.5kW main contacts 4NO auxiliary contacts connection screw connection type A45-40		


## auxiliary contacts



1			
<b>Part No.</b>	380126	<b>Ref. No.</b>	61626
<b>description</b>	auxiliary contact contacts 1NC AC1 16A AC15 3A connection screw connection for contactors A9-A50		

## solid state relays

## CELDUC



1

<b>Part No.</b>	402974	<b>Ref. No.</b>	20800086 30800037 30820013
<b>description</b>	solid state relay CELDUC 2 phase 50A 24-600V 10-30VDC L 58mm W 45mm plug screw type SOB965660		

## transformers

## encapsulated transformers

## with plug connection



1			
<b>Part No.</b>	403661	<b>Ref. No.</b>	20800023
<b>description</b>	transformer primary 200-480V secondary 24V H 100mm L 105mm W 105mm 50/60Hz type 14458-7		

## probes


## producer-specific probes

## probes




1			
<b>Part No.</b>	379777	<b>Ref. No.</b>	062500
<b>description</b>	temperature probe Pt100 cable silicone probe -100 up to 450°C cable -50 up to +180°C connection 2-wire thread 5/16 probe ø4x75mm cable length 1.2m		



1 


<b>Part No.</b>	381229	<b>Ref. No.</b>	20800174
<b>description</b>	temperature probe Pt100 cable Vetrotex probe -100 up to 450°C cable -50 up to +350°C connection 2-wire thread probe ø3.5x170mm cable length 0.4m -50 up to +350°C		

core probes

1 

<b>Part No.</b>	381267 <sup>1</sup>	<b>Ref. No.</b>	30800053
<b>description</b>	core temperature probe Pt100 cable PTFE probe -40 up to +250°C cable -40 up to +250°C connection plug probe ø4x100mm thread cable length 1m handle ømm handle length 50mm		

<sup>1</sup> multipoint probe


1 

<b>Part No.</b>	381228 <sup>1</sup>	<b>Ref. No.</b>	30800054
<b>description</b>	core temperature probe thermocouple K (NiCr-Ni) cable PTFE probe -50 up to 1150°C cable -40 up to +250°C connection plug probe ø4x128mm thread cable length 1.5m handle ømm handle length 50mm		

<sup>1</sup> multipoint probe

electronics


frequency converters

1 

<b>Part No.</b>	403483	<b>Ref. No.</b>	20800211
<b>description</b>	frequency converter 200-240V 50/60Hz L 125mm W 43mm H 144mm output frequency 0-250Hz 6.9A output current 2.2A		


1

<b>Part No.</b>	403907	<b>Ref. No.</b>	30800098
<b>description</b>	frequency converter with heat sink 200-240V 50/60 L 128mm W 45mm H 146.5mm output frequency 0-250Hz 1.4A		


1 

<b>Part No.</b>	403482	<b>Ref. No.</b>	20800084
<b>description</b>	frequency converter with heat sink 200-240V 50/60Hz output frequency 0-250Hz 10.8A output current 4.3A		

PCBs

1 


<b>Part No.</b>	404020	<b>Ref. No.</b>	3090002 30900059
<b>description</b>	display combi-steamer Slim/Visual Cooking L 10.4mm W 144mm TFT		
<b>accessories for</b>	404020		
<b>Part No.</b>	698525	<b>Ref. No.</b>	30900013
<b>description</b>	ribbon cable L 120mm for display		


1 


<b>Part No.</b>	404022	<b>Ref. No.</b>	30900014
<b>description</b>	display PCB combi-steamer Visual Cooking L 133mm W 139mm		







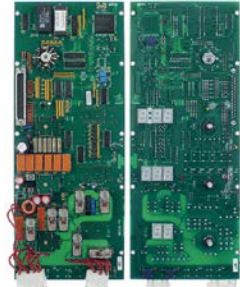
			
1			
<b>Part No.</b>	403913	<b>Ref. No.</b>	30900054
<b>description</b>	display PCB L 140mm W 135mm suitable for HOUNO B/C/K Ver3.51		

			
1			
<b>Part No.</b>	403912	<b>Ref. No.</b>	30900069
<b>description</b>	display PCB L 140mm W 135mm suitable for HOUNO CombiSlim C Ver9.14		

			
1			
<b>Part No.</b>	404024	<b>Ref. No.</b>	20900002
<b>description</b>	main PCB combi-steamer Visual Cooking L 348mm W 100mm type 20 90 0002 Rev:2.2		



			
1			
<b>Part No.</b>	404023	<b>Ref. No.</b>	30900006
<b>description</b>	PCB combi-steamer Visual Cooking for combi-steamer		



			
1			
<b>Part No.</b>	404021	<b>Ref. No.</b>	30900008
<b>description</b>	PCB combi-steamer Visual Cooking W 140mm for combi-steamer H 140mm type Ver 1.67		

			
1			
<b>Part No.</b>	403733	<b>Ref. No.</b>	033908
<b>description</b>	PCB L 340mm W 135mm		

## solenoid valves


### solenoid valves (water)

<b>RPE</b>			
			
1			
<b>Part No.</b>	370760	<b>Ref. No.</b>	30520037
<b>description</b>	solenoid valve double straight 24VAC inlet 3/4" outlet 10mm DN10 t.max. 90°C plastic output B yesl/min flow regulating valve outlet B white		
<b>spare parts for</b>	370760		
	<b>Part No.</b>	370774	<b>Ref. No.</b> —
	solenoid coil RPE 24VAC		

			
1			
<b>Part No.</b>	370758	<b>Ref. No.</b>	30520192
<b>description</b>	solenoid valve double straight 24VAC inlet 3/4" outlet 10mm input 10-12l/min DN10 t.max. 90°C plastic output B 1-1.25l/min flow regulating valve outlet B white		
<b>spare parts for</b>	370758		
	<b>Part No.</b>	370774	<b>Ref. No.</b> —
	solenoid coil RPE 24VAC		


### special outlet

			
1			
<b>Part No.</b>	371228	<b>Ref. No.</b>	20720230
<b>description</b>	solenoid valve double 24V outlet 6.5mm inlet 3/4"		


1

<b>Part No.</b>	371229	<b>Ref. No.</b>	20720228
<b>description</b>	solenoid valve single 24V inlet 3/4mm outlet 6.5mm input 10l/min RPE inlet 3/4"		



1


<b>Part No.</b>	370764	<b>Ref. No.</b>	30520180
<b>description</b>	solenoid valve triple straight 24V inlet 3/4" outlet 10mm DN10 t.max. 60°C TP output C 1.2l/min flow regulating valve outlet C white		



1

<b>Part No.</b>	371227	<b>Ref. No.</b>	20720234
<b>description</b>	solenoid valve triple 24V outlet 6.5mm DN10 RPE inlet 3/4		

4-fold




1

<b>Part No.</b>	370762	<b>Ref. No.</b>	30500054 30520181
<b>description</b>	solenoid valve 4-fold with sensor 24V inlet 3/4" outlet 10.5mm t.max. 90°C reducer output D 1.20l/min flow regulating valve outlet D white		

## solenoid valves with reducers


### single



1


<b>Part No.</b>	370761	<b>Ref. No.</b>	30520034
<b>description</b>	solenoid valve single straight 24VAC inlet 3/4" outlet 11mm DN10 t.max. 90°C plastic output A yesl/min flow regulating valve outlet B white		

### 2-fold



1


<b>Part No.</b>	374003	<b>Ref. No.</b>	032112
<b>description</b>	solenoid valve 2-fold, with reducer straight 24V inlet 3/4" outlet 14mm t.max. 60°C RPE plastic output A 1.2l/min flow regulating valve outlet A white		



1

<b>Part No.</b>	374008	<b>Ref. No.</b>	032110
<b>description</b>	solenoid valve double straight 24V inlet 3/4" outlet 14mm input 10-12l/min RPE plastic output A 1.2l/min output B 1.2l/min inlet 3/4"mm		

### 3-fold



1

<b>Part No.</b>	374002	<b>Ref. No.</b>	032111
<b>description</b>	solenoid valve 3-fold, with reducer straight 24V inlet 3/4" outlet 14mm t.max. 60°C output A 1.2l/min output B 1.2l/min flow regulating valve outlet A white flow regulating valve outlet B white		

## Solenoid valve - accessories

1

<b>Part No.</b>	371331	<b>Ref. No.</b>	32700170
<b>description</b>	solenoid coil 230V L 58mm W 37mm H 40.5mm seat ø 10.5mm		

## pressure switches

### for combi-steamers



1


<b>Part No.</b>	543022	<b>Ref. No.</b>	32700130
<b>description</b>	differential pressure switch ø 102mm pressure range 0.1/0.2mbar 223363 connection 6.5mm 2.5A p max 0.05bar pressure connection 6.5mm		





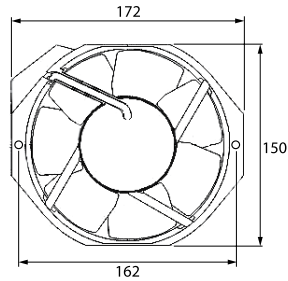

1

<b>Part No.</b>	543032	<b>Ref. No.</b>	32720056
<b>description</b>	differential pressure switch pressure range 0.2-1.5mbar pressure connection ø 4.7mm DUNGS protection IP54 ambient temperature max. -10 up to +85°C		



			
1			
<b>Part No.</b>	348047	<b>Ref. No.</b>	071138 30220071
<b>description</b>	pressure control pressure range 0-3mbar complete connection 6mm p max 0.025bar pressure connection 6mm		

			
1			
<b>Part No.</b>	543023	<b>Ref. No.</b>	308000145 62565
<b>description</b>	pressure control reset pressure 1.5bar connection 1/8" suitable for HOUNO INC		




			
1			
			
<b>Part No.</b>	601706 <sup>1</sup>	<b>Ref. No.</b>	N/A
<b>description</b>	axial fan L 172mm W 150mm H 51mm 230VAC 50/60Hz 39W bearing ball bearing connection male faston 3.2mm ADDA fan wheel ø 140mm		
<b>accessories for</b>	601706		
	<b>Part No.</b>	550898	<b>Ref. No.</b> —
	connecting cable cable length 2000mm connection F 2.8 connection distance 7.9mm for axial flow fan		

<sup>1</sup>with ball bearings

## fans


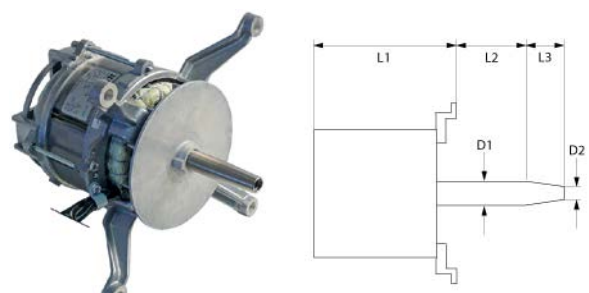
### axial fans

#### import

			
1			
<b>Part No.</b>	601080 <sup>1</sup>	<b>Ref. No.</b>	60211
<b>description</b>	axial fan L 119mm W 119mm H 38mm 230VAC 50/60Hz 23/20W bearing ball bearing connection male faston 2.8mm metal ADDA fan wheel ø 110mm temp.-resist. 70°C		
<b>accessories for</b>	601080		
	<b>Part No.</b>	550898	<b>Ref. No.</b> —
	connecting cable cable length 2000mm connection F 2.8 connection distance 7.9mm for axial flow fan		
	<b>Part No.</b>	692519	<b>Ref. No.</b> —
	guard L 120mm W 120mm plastic		

<sup>1</sup>with ball bearings

## hot air motors

			
1			
<b>Part No.</b>	696843	<b>Ref. No.</b>	30700022
<b>description</b>	bush with spring ø 14mm ED ø 20mm H 12mm ID ø 8mm		
			
1			
<b>Part No.</b>	601352	<b>Ref. No.</b>	60201
<b>description</b>	fan motor 380-400V 3 phase 50Hz 0.02/0.16kW 710/1390rpm speeds 2 L1 140mm L2 27mm L3 35mm M10R IT 0.2/0.5A power input 60/250W at 50Hz 710/1390rpm Y/YY type L7mw84D-148 no. T1 D1 ø 17mm D2 ø 13mm		




1

<b>Part No.</b>	602004	<b>Ref. No.</b>	60306
<b>description</b>	fan wheel blades 12 D1 ø 350mm D2 ø 13mm D3 ø 16mm H1 133mm H2 14mm H3 32mm		

## motors

### gear motors

for ovens

for flues



1

<b>Part No.</b>	501469	<b>Ref. No.</b>	20700012 30520025
<b>description</b>	ventilation valve FIBER type P255201B4T1 24V 50Hz 6rpm shaft ø 6mm L 88mm W 56mm H 55mm motor type M51B20R0000		

## pumps

### drain pumps

HANNING



1

<b>Part No.</b>	499161	<b>Ref. No.</b>	060001
<b>description</b>	drain pump 32W 230V inlet ø 24mm outlet ø 24mm 50/60Hz type DPS 25 R HANNING		



1

<b>Part No.</b>	501441	<b>Ref. No.</b>	20520270 20700034
<b>description</b>	drain pump 38W 200-240V inlet ø 24mm outlet ø 24mm 50/60Hz HANNING max. 15min reinforced version break time 45min input current 0.4A		

### vibration pumps


1

<b>Part No.</b>	501592	<b>Ref. No.</b>	20500050 20520250
<b>description</b>	vibration pump 24V 47W 50Hz inlet ø 7 outlet ø 1/8" CEME type E50701 L 124mm		

## fuses

### fine fuses

#### fine fuse holders




1

<b>Part No.</b>	358192	<b>Ref. No.</b>	20800115
<b>description</b>	fuse holder suitable fuse 5x20/5x25mm 6.3A rated 250V		

### line circuit breakers

#### miscellaneous



1

<b>Part No.</b>	358114	<b>Ref. No.</b>	061407
<b>description</b>	line circuit breaker 3-pole 6A tripping type C rated 400V connection screw		



## electric accessories

## cables

## ribbon cables

## group 10

1

<b>Part No.</b>	698525	<b>Ref. No.</b>	30900013
<b>description</b>	ribbon cable L 120mm for display		

## terminals

## rail-mounted terminals

## miscellaneous



<b>Part No.</b>	551281	<b>Ref. No.</b>	20800122
<b>description</b>	rail-mounted terminal max 400V connection plug-in connection 4-pole max. 10A cross section 4mm <sup>2</sup>		

## miscellaneous

## service kits



<b>Part No.</b>	698520	<b>Ref. No.</b>	033531 033608 066025 20120203
<b>description</b>	service kit for lighting for combi-steamer		

## ignition parts

## ignition units



<b>Part No.</b>	107895	<b>Ref. No.</b>	32700166
<b>description</b>	ignition unit outputs 1 220-240VAC dimensions 84x62x38mm mounting distance 58mm inlet F6.3x0.8 outlet 4 type TRK2-30PFVD 69VA 50/60Hz protection IP54		

## gas burners

## accessories

## gaskets



<b>Part No.</b>	514531	<b>Ref. No.</b>	32700045
<b>description</b>	gasket graphite ED ø 117mm ID ø 94mm thickness 1.7mm Qty 1 pcs		

## auxiliary gas parts

## accessories



<b>Part No.</b>	107896	<b>Ref. No.</b>	32700090
<b>description</b>	manifold gas L 118mm brass thread conical suitable for HOUNO combi-steamer		

## pressure switches



<b>Part No.</b>	543022	<b>Ref. No.</b>	32700130
<b>description</b>	differential pressure switch ø 102mm pressure range 0.1/0.2mbar 223363 connection 6.5mm 2.5A p max 0.05bar pressure connection 6.5mm		



## equipment-specific units

for convection ovens/combi-steamers

### drain units

#### drip rails



1

<b>Part No.</b>	696848	<b>Ref. No.</b>	30410005
<b>description</b>	drip rail L 500mm stainless steel W 26mm for combi-steamer		



1

<b>Part No.</b>	696819	<b>Ref. No.</b>	20420022 30420152
<b>description</b>	drip rail L 553mm stainless steel W 26mm for combi-steamer		



1

<b>Part No.</b>	696818	<b>Ref. No.</b>	30410026
<b>description</b>	drip rail L 760mm stainless steel W 26mm for combi-steamer		

### injection nozzles



1

<b>Part No.</b>	542437	<b>Ref. No.</b>	059216 30500400
<b>description</b>	injection nozzle bore ø 1.1mm D1 ø 11mm L 23mm WS 12 SS for combi-steamer thread 1/8" ET conical		



1

<b>Part No.</b>	542436	<b>Ref. No.</b>	059257
<b>description</b>	injection nozzle L 20mm WS 12 stainless steel for combi-steamer thread 1/8" ET conical JAU 1310		

### pipes



1

<b>Part No.</b>	521199	<b>Ref. No.</b>	30500013
<b>description</b>	pipe L 360mm ø 25mm for combi-steamer stainless steel		

### doors



1

<b>Part No.</b>	698527	<b>Ref. No.</b>	2042008
<b>description</b>	door glass inner suitable for HOUNO 1.06 H 579mm W 518mm		



1

<b>Part No.</b>	698528	<b>Ref. No.</b>	30420020
<b>description</b>	door glass suitable for HOUNO H 584mm W 692mm		

### door mechanics


#### accessories



1


<b>Part No.</b>	696816	<b>Ref. No.</b>	014043
<b>description</b>	buffer for glass plate ø 13mm rubber L 17mm		





			
1			
<b>Part No.</b>	696817	<b>Ref. No.</b>	30400048
<b>description</b>	cover W 25mm hole ø 6.2mm L 70mm		


			
1			
<b>Part No.</b>	701648	<b>Ref. No.</b>	064872
<b>description</b>	gas tension spring for combi-steamer 150N D1 ø 15mm D2 ø 6mm hole distance 255mm hole ø 6mm L 265mm		


			
1			
<b>Part No.</b>	701649	<b>Ref. No.</b>	064874
<b>description</b>	gas tension spring for combi-steamer 250N D1 ø 15mm D2 ø 6mm hole distance 255mm hole ø 6mm L 268mm		




			
1			
<b>Part No.</b>	542439	<b>Ref. No.</b>	30400027
<b>description</b>	torsion spring ø 13mm L2 12mm wire gauge ø 2mm L1 12mm L3 12mm Qty 1 pcs		

vibration pumps			
			
1			
<b>Part No.</b>	501592	<b>Ref. No.</b>	20500050 20520250
<b>description</b>	vibration pump 24V 47W 50Hz inlet ø 7 outlet ø 1/8" CEME type E50701 L 124mm		



miscellaneous			
			
1			
<b>Part No.</b>	692213	<b>Ref. No.</b>	032400
<b>description</b>	mechanism for switch L 530mm thread 1/4" W 50mm ø 8mm hole ø 11.6mm		


			
1			
<b>Part No.</b>	698521	<b>Ref. No.</b>	20400238
<b>description</b>	plug L 35.4mm ø 13mm		


for dishwashers			
door mechanics			
miscellaneous			
			
1			
<b>Part No.</b>	698526	<b>Ref. No.</b>	58206
<b>description</b>	repair kit for door handle		



locks			
handle latches			
producer-specific			
HOUNÖ			
			
1			
<b>Part No.</b>	694607	<b>Ref. No.</b>	20400207 20410019 20420227 20420262 20420313 30400030 30400032 30410004 30420013 30420853 30420854 30421088
<b>description</b>	catch for combi-steamer mounting distance 50mm HOUNO		
<b>spare parts for</b>	694607		
			
<b>Part No.</b>	694848	<b>Ref. No.</b>	30420245 30420840
<b>description</b>	door catch with spigot 2-stage L 70mm W 25mm H 44mm mounting distance 50mm		
			
<b>Part No.</b>	694851	<b>Ref. No.</b>	069022 30400031 30400034 30420694 30420849 30420850 30420864 30421087
<b>description</b>	catch kit		




 <p>1</p>			
<b>Part No.</b>	694851	<b>Ref. No.</b>	069022 30400031 30400034 30420694 30420849 30420850 30420864 30421087
<b>description</b>	catch kit		
<b>spare parts for</b>	694851		
	<b>Part No.</b>	694848	<b>Ref. No.</b> 30420245 30420840
door catch with spigot 2-stage L 70mm W 25mm H 44mm mounting distance 50mm			

 <p>1</p>			
<b>Part No.</b>	694066	<b>Ref. No.</b>	069020
<b>description</b>	door catch with spigot 2-stage L 28mm W 14mm H 15mm H1 16mm total length 51mm thread M8 thread L 23mm stainless steel		

 <p>1</p>			
<b>Part No.</b>	694848	<b>Ref. No.</b>	30420245 30420840
<b>description</b>	door catch with spigot 2-stage L 70mm W 25mm H 44mm mounting distance 50mm		

 <p>1</p>			
<b>Part No.</b>	701415	<b>Ref. No.</b>	30420698
<b>description</b>	door handle L 171mm W 40mm handle ø 25mm spring length 38mm SS mounting thread M5 flange ø 39mm		
<b>spare parts for</b>	701415		
	<b>Part No.</b>	514390	<b>Ref. No.</b> 069023
spring for door handle ø 6mm L 54mm W 27.5mm			

 <p>1</p>			
<b>Part No.</b>	514390	<b>Ref. No.</b>	069023
<b>description</b>	spring for door handle ø 6mm L 54mm W 27.5mm		


## edgemoat latches

### handle latches

### producer-specific

### HOUNÖ



<b>Part No.</b>	694784	<b>Ref. No.</b>	034317
<b>description</b>	catch L 172mm mounting distance 124/133mm chrome-plated non lockable heated units 6200 H 65mm type DUPLO total length 248mm		
<b>accessories for</b>	694784		
	<b>Part No.</b>	690123	<b>Ref. No.</b> 037967 069012
door catch with roller			

## door catches

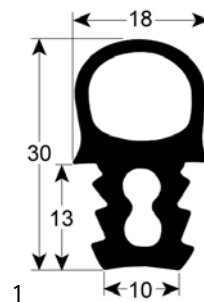


<b>Part No.</b>	690123	<b>Ref. No.</b>	037967 069012
<b>description</b>	door catch with roller		

## gaskets

### gaskets for heated units

### door seals



<b>Part No.</b>	902542	<b>Ref. No.</b>	037064
<b>description</b>	door seal profile 2073 W 484mm L 676mm outer plug size Qty 1		





<b>Part No.</b>	901499	<b>Ref. No.</b>	037068
<b>description</b>	door seal profile 2073 W 490mm L 1465mm external size Qty 1 suitable for HOUNO 1.20-99		

<b>Part No.</b>	901853	<b>Ref. No.</b>	32903
<b>description</b>	door seal profile 2073 W 530mm L 605mm outer plug size suitable for HOUNO		

<b>Part No.</b>	901440	<b>Ref. No.</b>	037063
<b>description</b>	door seal profile 2073 W 490mm L 560mm external size Qty 1 suitable for HOUNO 1.06-99		

<b>Part No.</b>	901670	<b>Ref. No.</b>	032904
<b>description</b>	door seal profile 2073 W 535mm L 835mm external size Qty 1		

<b>Part No.</b>	901459	<b>Ref. No.</b>	037065
<b>description</b>	door seal profile 2073 W 490mm L 810mm external size Qty 1		

<b>Part No.</b>	901387	<b>Ref. No.</b>	20300234 30300134
<b>description</b>	door seal profile 2735 W 490mm L 550mm external size Qty 1 dark grey		

<b>Part No.</b>	901652	<b>Ref. No.</b>	037066
<b>description</b>	door seal profile 2073 W 495mm L 955mm external size Qty 1		

<b>Part No.</b>	902106	<b>Ref. No.</b>	20300235 30300135
<b>description</b>	door seal profile 2735 W 490mm L 690mm external size Qty 1		



<b>Part No.</b>	901386	<b>Ref. No.</b>	20300236 30300136
<b>description</b>	door seal profile 2735 W 490mm L 820mm external size Qty 1		

<b>Part No.</b>	901855	<b>Ref. No.</b>	30300108 30300142
<b>description</b>	door seal profile 2735 W 682mm L 1470mm Qty 1 suitable for HOUNO		

<b>Part No.</b>	902540	<b>Ref. No.</b>	20300239 30300137
<b>description</b>	door seal profile 2735 W 491mm L 947mm outer plug size Qty 1		

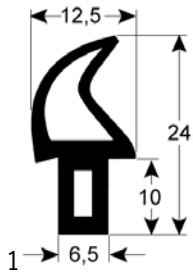
<b>Part No.</b>	902538	<b>Ref. No.</b>	30300141
<b>description</b>	door seal profile 2735 W 683mm L 1080mm outer plug size Qty 1		

<b>Part No.</b>	901854	<b>Ref. No.</b>	20300241 30300139
<b>description</b>	door seal profile 2735 W 495mm L 1470mm outer plug size suitable for HOUNO		

<b>Part No.</b>	902537	<b>Ref. No.</b>	20300237 30300140
<b>description</b>	door seal profile 2735 W 683mm L 819mm outer plug size Qty 1		

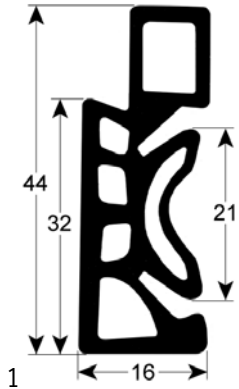
<b>Part No.</b>	902536	<b>Ref. No.</b>	30300187
<b>description</b>	door seal profile 2735 W 558mm L 683mm outer plug size Qty 1		

<b>Part No.</b>	902534	<b>Ref. No.</b>	30300182
<b>description</b>	door seal profile 2739 L 1464mm Qty 1 suitable for HOUNO		

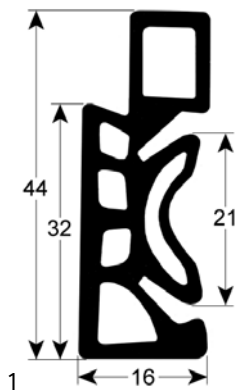


<b>Part No.</b>	902535	<b>Ref. No.</b>	30300183
<b>description</b>	door seal profile 2739 L 1845mm Qty 1 suitable for HOUNO		

## gaskets for tray rack trolleys



<b>Part No.</b>	902529	<b>Ref. No.</b>	30400325
<b>description</b>	tray rack trolley gasket profile 4150 L 540mm suitable for 1.16/1.20 roll-in Qty 1		



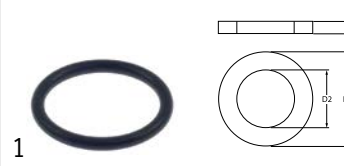
<b>Part No.</b>	902530	<b>Ref. No.</b>	30400281
<b>description</b>	tray rack trolley gasket profile 4150 L 760mm suitable for 2.20 roll-in Qty 1		



<b>Part No.</b>	902521	<b>Ref. No.</b>	30420224 30420767
<b>description</b>	tray rack trolley gasket with front panel L 760mm Qty 1 suitable for combi-steamer HOUNO 2.20		

## O-rings

## EPDM



<b>Part No.</b>	532453	<b>Ref. No.</b>	32700106
<b>description</b>	O-ring EPDM thickness 2.62mm ID ø 21.89mm Qty 1 pcs		

## sealing washers

## graphite gaskets



<b>Part No.</b>	514531	<b>Ref. No.</b>	32700045
<b>description</b>	gasket graphite ED ø 117mm ID ø 94mm thickness 1.7mm Qty 1 pcs		

## foam rubber gaskets



<b>Part No.</b>	505406	<b>Ref. No.</b>	30300363
<b>description</b>	foam rubber gasket W 10mm thickness 4mm self-adhesive Qty supplied by meter		

## special gaskets

## for combi-steamers



<b>Part No.</b>	699627	<b>Ref. No.</b>	20100107
<b>description</b>	gasket suitable for HOUNO combi-steamer mounting pos. for lens ED ø 65mm ID ø 53mm graphite thickness 0.6mm		



<b>Part No.</b>	699628	<b>Ref. No.</b>	20100106 30100147
<b>description</b>	gasket suitable for HOUNO combi-steamer mounting pos. for lens ED ø 83mm ID ø 52mm Viton thickness 3mm		



miscellaneous



1

<b>Part No.</b>	514531	<b>Ref. No.</b>	32700045
<b>description</b>	gasket graphite ED ø 117mm ID ø 94mm thickness 1.7mm Qty 1 pcs		



1

<b>Part No.</b>	511653	<b>Ref. No.</b>	20600007
<b>description</b>	gasket silicone L 82mm W 82mm thickness 3mm		



1

<b>Part No.</b>	698524	<b>Ref. No.</b>	32700059
<b>description</b>	gasket W 37.2mm L 60mm combi-steamer suitable for HOUNO thickness 4mm		

springs

torsion springs



1

<b>Part No.</b>	542439	<b>Ref. No.</b>	30400027
<b>description</b>	torsion spring ø 13mm L2 12mm wire gauge ø 2mm L1 12mm L3 12mm Qty 1 pcs		

gas tension springs

gas tension springs



1

<b>Part No.</b>	701648	<b>Ref. No.</b>	064872
<b>description</b>	gas tension spring for combi-steamer 150N D1 ø 15mm D2 ø 6mm hole distance 255mm hole ø 6mm L 265mm		



1

<b>Part No.</b>	701649	<b>Ref. No.</b>	064874
<b>description</b>	gas tension spring for combi-steamer 250N D1 ø 15mm D2 ø 6mm hole distance 255mm hole ø 6mm L 268mm		

hose reels and spray guns

spray guns



1

<b>Part No.</b>	542075	<b>Ref. No.</b>	041063
<b>description</b>	spray gun for appliances hose ø 7mm		



1

<b>Part No.</b>	542038	<b>Ref. No.</b>	059959
<b>description</b>	spray gun for appliances 3/8" IT L 135mm		

1

<b>Part No.</b>	545180	<b>Ref. No.</b>	059013
<b>description</b>	hose for spray gun black 5.5 ED ø 8mm		

dosing pumps

accessories

hose couplings

metal



1

<b>Part No.</b>	361502	<b>Ref. No.</b>	016821
<b>description</b>	screw pipe fitting straight nickel-plated brass thread 3/8" ET hose ø 6x8mm		

accessories for 361502



<b>Part No.</b>	532533	<b>Ref. No.</b>	—
-----------------	--------	-----------------	---

O-ring EPDM thickness 1.5mm ID ø 17mm Qty 1 pcs



## hoses

### industrial hoses

#### nylon hoses



1

<b>Part No.</b>	570146	<b>Ref. No.</b>	059003 30500498
-----------------	--------	-----------------	--------------------

<b>description</b>	nylon hose ID ø 4mm ED ø 6mm L 1m operating p. 10bar burst p. 50bar t.max. 100°C blue		
--------------------	---	--	--

#### silicone hoses

##### with fabric

##### with monofilament braid



1

<b>Part No.</b>	530542	<b>Ref. No.</b>	— 059963 30500065
-----------------	--------	-----------------	-------------------------

<b>description</b>	silicone hose with monofilament braid ID ø 10mm ED ø 17mm L 5m thickness 3.5mm operating p. 4bar burst pressure at 95°C non definedbar burst pressure 130°C non definedbar t.max. 200°C Qty 5m		
--------------------	--	--	--

#### formed hoses

##### straight



1

<b>Part No.</b>	504871	<b>Ref. No.</b>	30500012 30500500
-----------------	--------	-----------------	----------------------

<b>description</b>	formed hose ext. ø 58 ID ø 50mm silicone with fabric lining black Qty 1		
--------------------	---	--	--

## fittings, hose and pipe connectors

### fittings

#### T-pieces

##### brass



1

<b>Part No.</b>	698522	<b>Ref. No.</b>	59122
-----------------	--------	-----------------	-------

<b>description</b>	T-piece thread 1/4" brass 1x external thread 2x internal thread L 38mm		
--------------------	--	--	--

### hose connectors

#### nickel-plated brass



1

<b>Part No.</b>	361502	<b>Ref. No.</b>	016821
-----------------	--------	-----------------	--------

<b>description</b>	screw pipe fitting straight nickel-plated brass thread 3/8" ET hose ø 6x8mm		
--------------------	---	--	--

##### accessories for

<b>Part No.</b>	532533	<b>Ref. No.</b>	—
-----------------	--------	-----------------	---



O-ring EPDM thickness 1.5mm ID ø 17mm Qty 1 pcs

#### stainless steel



1

<b>Part No.</b>	542438	<b>Ref. No.</b>	059147
-----------------	--------	-----------------	--------

<b>description</b>	hose connector thread 1/8" hose ø 6mm SS		
--------------------	--	--	--

## fastening material

### screws

#### countersunk screws



1

<b>Part No.</b>	560337	<b>Ref. No.</b>	055620
-----------------	--------	-----------------	--------

<b>description</b>	countersunk screw thread M6 L 20mm WS 4 SS DIN 7991/ISO 10642 Qty 1 pcs intake hexagonal		
--------------------	--	--	--



## hexagonal screws



1

<b>Part No.</b>	560088	<b>Ref. No.</b>	55618
<b>description</b>	hexagonal screw thread M6 thread L 20mm SS WS 10 Qty 20 pcs DIN 933 / ISO 4017		

## cylinder head bolts

DIN 912/ISO 4762



1

<b>Part No.</b>	560652	<b>Ref. No.</b>	055503
<b>description</b>	cylinder head bolt thread M5 L 35mm thread L 24mm WS 4 A2-70 Qty 1 pcs head ø 8mm DIN 912/ISO 4762		

## side bolts



1

<b>Part No.</b>	560052	<b>Ref. No.</b>	055511 055514
<b>description</b>	side bolts thread M5 L 10mm SS Qty 20 pcs intake slotted head ø 12.5mm		

## nuts

### hexagonal nuts

DIN 934 / ISO 4032/8673



1

<b>Part No.</b>	560129	<b>Ref. No.</b>	056500
<b>description</b>	hexagonal nut thread M5 H 4mm WS 8 SS DIN/ISO DIN 934 / ISO 4032/8673 Qty 1 pcs		

## washers

### spring rings



1

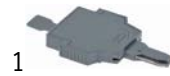
<b>Part No.</b>	560123	<b>Ref. No.</b>	57601
<b>description</b>	lock washer ID ø 6.3mm ED ø 11mm SS DIN127 Qty 20 pcs for thread M6		

## consumables

### fuses

#### fine fuses

#### fine fuse holders



1

<b>Part No.</b>	358192	<b>Ref. No.</b>	20800115
<b>description</b>	fuse holder suitable fuse 5x20/5x25mm 6.3A rated 250V		

**GASTRO**PARTS.COM

