



GASTROPARTS

Gemini Forni

- [EN]** Equipment
- [DE]** Geräte
- [ES]** Aparatos
- [FR]** Équipement
- [IT]** Attrezzature
- [PL]** Urządzenia
- [RU]** Оборудование

✉ gastroparts@gastroparts.com

☎ +48 56 657 00 66

📘 fb.com/gastroparts.global

GASTROPARTS.COM





heating elements

heating elements for convection



1

Part No.	419159	Ref. No.	233044
description	heating element 2300W 230V heating circuits 1 ID ø 183mm ED ø 195mm L 235mm H 33mm L1 38mm W1 30mm H1 3mm H2 26mm flange length 70mm flange width 23mm hole distance 56mm connection male faston 6.3mm connection length 45mm tube ø 6.3mm convection heating element hole ø 5mm		

thermostats

control and safety thermostats

CAMPINI

control thermostats



1

Part No.	375934	Ref. No.	233116
description	thermostat t.max. 280°C temperature range 50-280°C 1-pole 1NO 16A probe ø 3mm probe L 185mm capillary pipe 960mm capillary pipe isolated 700mm gland nut shaft ø 6x4.6mm shaft L 23mm shaft position upper rotation 270° probe material SS 250V		

safety thermostats



1

Part No.	375892	Ref. No.	456508
description	safety thermostat switch-off temp. 318°C 1-pole 16A probe ø 3mm probe L 137mm capillary pipe 1260mm capillary pipe isolated 710mm gland nut probe SS type Ty 95-H		

accessories

connecting bows



1

Part No.	550060	Ref. No.	233118
description	connecting bow long for thermostat Qty 1 pcs		


switches and momentary switches

cam switches

operation switches



1

Part No.	300001	Ref. No.	233117	
description	cam switch operation switch 16A sequence 0-1 shaft ø 6x4.6mm connection male faston 6.3mm 2-pole			
accessories for	300001			
	Part No.	551456	Ref. No.	—
		gasket for switch ED ø 14mm ID ø 2.5mm thickness 3.5mm white		



1

Part No.	300200	Ref. No.	233117
description	operation switch 2 operating positions 2NO 16A sequence 0-1 shaft ø 6x4.6mm shaft L 23mm connection male faston 6.3mm operation switch ceramic		



lamps

indicator lights

indicator lights (complete)

ø 9mm



1

Part No.	359136	Ref. No.	233120
description	indicator light ø 9mm 230V green connection male faston 6.3mm temp.-resist. 120°C		

ø10mm

with plug-in socket



1

Part No.	359139	Ref. No.	233120
description	indicator light ø 10mm green 230V connection male faston 6.3mm Qty 1 pcs		



1

Part No.	359138	Ref. No.	N/A
description	indicator light ø 10mm red 230V connection male faston 6.3mm Qty 1 pcs		



1

Part No.	359140	Ref. No.	N/A
description	indicator light ø 10mm yellow 230V connection male faston 6.3mm Qty 1 pcs		

ø12mm

with screw socket



1

Part No.	359048	Ref. No.	456512
description	indicator light ø 12mm 230V yellow connection male faston 6.3mm		



1

Part No.	359027	Ref. No.	456511
description	indicator light ø 12mm 250V green connection male faston 6.3mm		

screw-on/push-on fit

light bulbs

for ovens



1

Part No.	359612	Ref. No.	233104
description	light bulb t.max. 300°C socket E14 25W 230V ø 25mm L 56mm lens L 30mm for oven lamp type Philips		



oven lamps

universal oven lamps

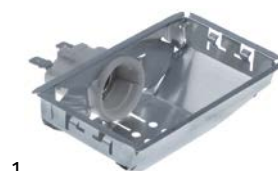
mounting diameter 35.5mm



1

Part No.	359718	Ref. No.	456518	
description	oven lamp mounting ø 35.5mm 230V 15W socket E14 temp.-resist. 300°C connection male faston 6.3mm hard glas			
spare parts for	359718			
	Part No.	359701	Ref. No.	—
	lamp socket socket E14 220-230V mounting ø 35.5mm connection male faston 6.3mm 15W			
	Part No.	359740	Ref. No.	—
	light bulb t.max. 300°C socket E14 15W 230V ø 22mm L 48mm lens L 20mm for oven lamp IMPORT			

55x100mm



1







Part No.	359698	Ref. No.	550181	
description	lamp socket L 100mm W 55mm socket E14 connection male faston 6.3mm			
spare parts for	359698			
	Part No.	358119	Ref. No.	233185
	frame L 118mm W 72mm mounting distance 143mm for bulb socket			
	Part No.	358122	Ref. No.	233054
	gasket L 112mm W 68mm silicone thickness 3mm for bulb socket			
	Part No.	358123	Ref. No.	233186
	lamp glass L 112mm W 68mm			
	Part No.	359612	Ref. No.	233104
	light bulb t.max. 300°C socket E14 25W 230V ø 25mm L 56mm lens L 30mm for oven lamp type Philips			

Table continues overleaf












spare parts for 359698			
	Part No.	359714	Ref. No. N/A
gasket for bulb socket			
	Part No.	359715	Ref. No. N/A
lamp glass L 110mm W 65mm thickness 5mm			
	Part No.	359716	Ref. No. N/A
frame for bulb socket			
accessories for 359698			
	Part No.	359612	Ref. No. 233104
light bulb t.max. 300°C socket E14 25W 230V ø 25mm L 56mm lens L 30mm for oven lamp type Philips			
	Part No.	359938	Ref. No. —
borosilicate glass L 115mm W 69mm			

			
1			
Part No.	359716	Ref. No.	N/A
description	frame for bulb socket		

			
1			
Part No.	359714	Ref. No.	N/A
description	gasket for bulb socket		


			
1			
Part No.	359715	Ref. No.	N/A
description	lamp glass L 110mm W 65mm thickness 5mm		


			
1			
Part No.	359698	Ref. No.	550181
description	lamp socket L 100mm W 55mm socket E14 connection male faston 6.3mm		
spare parts for 359698			
	Part No.	358119	Ref. No. 233185
frame L 118mm W 72mm mounting distance 143mm for bulb socket			
	Part No.	358122	Ref. No. 233054
gasket L 112mm W 68mm silicone thickness 3mm for bulb socket			


spare parts for 359698			
	Part No.	358123	Ref. No. 233186
lamp glass L 112mm W 68mm			
	Part No.	359612	Ref. No. 233104
light bulb t.max. 300°C socket E14 25W 230V ø 25mm L 56mm lens L 30mm for oven lamp type Philips			
	Part No.	359714	Ref. No. N/A
gasket for bulb socket			
	Part No.	359715	Ref. No. N/A
lamp glass L 110mm W 65mm thickness 5mm			
	Part No.	359716	Ref. No. N/A
frame for bulb socket			
accessories for 359698			
	Part No.	359612	Ref. No. 233104
light bulb t.max. 300°C socket E14 25W 230V ø 25mm L 56mm lens L 30mm for oven lamp type Philips			
	Part No.	359938	Ref. No. —
borosilicate glass L 115mm W 69mm			

producer-specific oven lamps

GEMINI FORNI

			
1			
Part No.	358119	Ref. No.	233185
description	frame L 118mm W 72mm mounting distance 143mm for bulb socket		

			
1			
Part No.	358122	Ref. No.	233054
description	gasket L 112mm W 68mm silicone thickness 3mm for bulb socket		

			
1			
Part No.	358123	Ref. No.	233186
description	lamp glass L 112mm W 68mm		











			
1			
Part No.	359698	Ref. No.	550181
description	lamp socket L 100mm W 55mm socket E14 connection male faston 6.3mm		
spare parts for 359698			
	Part No.	358119	Ref. No. 233185
frame L 118mm W 72mm mounting distance 143mm for bulb socket			

Table continues overleaf



spare parts for 359698			
	Part No.	358122	Ref. No. 233054
gasket L 112mm W 68mm silicone thickness 3mm for bulb socket			
	Part No.	358123	Ref. No. 233186
lamp glass L 112mm W 68mm			
	Part No.	359612	Ref. No. 233104
light bulb t.max. 300°C socket E14 25W 230V ø 25mm L 56mm lens L 30mm for oven lamp type Philips			
	Part No.	359714	Ref. No. N/A
gasket for bulb socket			
	Part No.	359715	Ref. No. N/A
lamp glass L 110mm W 65mm thickness 5mm			
	Part No.	359716	Ref. No. N/A
frame for bulb socket			
accessories for 359698			
	Part No.	359612	Ref. No. 233104
light bulb t.max. 300°C socket E14 25W 230V ø 25mm L 56mm lens L 30mm for oven lamp type Philips			
	Part No.	359938	Ref. No. —
borosilicate glass L 115mm W 69mm			

lamps

light bulbs



Part No.	359612	Ref. No.	233104
description	light bulb t.max. 300°C socket E14 25W 230V ø 25mm L 56mm lens L 30mm for oven lamp type Philips		

timers

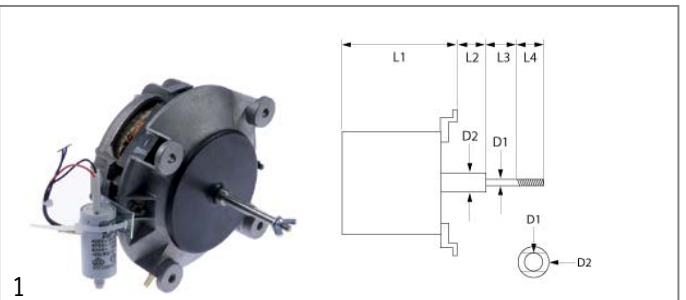
mechanical timers





Part No.	350008	Ref. No.	100095
description	timer M2 with bell 2-pole operation time 120min impulse mechanical 2NO at 250V 16A permanent position yes shaft ø 6x4.6mm shaft 6x4.6mm shaft L 24mm mounting distance 28mm connection lateral		

fans

hot air motors



Part No.	601779	Ref. No.	233061
description	fan motor 230V 1 phase 50Hz L1 79mm L2 33mm L3 23mm L4 12mm D1 ø 6x8mm D2 ø 8mm		
spare parts for	601779		
	Part No.	365009	Ref. No. —
operating capacitor capacity 2.5µF 400V tolerance 5% 50Hz ambient temperature max. -25 to +85°C ø 36.5mm L 55mm M8 plastic connection male faston 6.3mm 1.27.65C3 protection			
accessories for	601779		
	Part No.	601780	Ref. No. 233062
fan wheel D1 ø 145mm H1 42mm blades 20 D2 ø 8mm D3 ø 6x8mm H2 19mm			

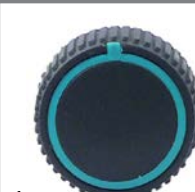


Part No.	601780	Ref. No.	233062
description	fan wheel D1 ø 145mm H1 42mm blades 20 D2 ø 8mm D3 ø 6x8mm H2 19mm		

knobs

producer-specific knobs

GEMINI FORNI



Part No.	111460	Ref. No.	233130
description	knob switch zero mark ø 41mm shaft ø 6x4.6mm shaft flat upper black		



hinges

oven hinges

Part No.	700003	Ref. No.	233029
description	opposite support L 110mm W 12mm mounting distance 94mm		

gaskets

gaskets for heated units

door seals with fixing hook

Part No.	901481	Ref. No.	233067
description	oven gasket W 430mm with 6 mounting clips H 250mm		

GASTROPARTS.COM

