



GASTROPARTS

Galanz

- [EN]** Equipment
- [DE]** Geräte
- [ES]** Aparatos
- [FR]** Équipement
- [IT]** Attrezzature
- [PL]** Urządzenia
- [RU]** Оборудование

✉ gastroparts@gastroparts.com

☎ +48 56 657 00 66

📘 fb.com/gastroparts.global

GASTROPARTS.COM








thermostats

bi-metal thermostats

bi-metal thermostats

 <p>1</p>			
Part No.	390869	Ref. No.	253099000143 GMW1025-C19 P100M25ASL-H4-C19 SEE250H4H-SABCOG-C19
description	bi-metal thermostat hole distance 23.5mm switch-off temp. 140°C 1NC 1-pole 10A 250V connection F4.8 Qty 1 pcs		


 <p>1</p>			
Part No.	390867	Ref. No.	253099000224 GMW1025-C07 GMW1030-C07 P100M25ASL-H4-C07 P180M30ASL-YL-C07 SEE250H4H-SABCOG-C07 SEE30FYLH-SABCOG-C07
description	bi-metal thermostat hole distance 23.5mm switch-off temp. 180°C 1NC 1-pole 10A 250V connection F4.8 Qty 1 pcs		


 <p>1</p>			
Part No.	390868	Ref. No.	253099000172 GMW1030-C19 P180M30ASL-YL-C19 SEE30FYLH-SABCOG-C19
description	bi-metal thermostat hole distance 23.5mm switch-off temp. 180°C 1NC 1-pole 10A 250V connection F4.8 Qty 1 pcs		

switches and momentary switches





microswitches


pin-plunger actuated


 <p>1</p>			
Part No.	347799	Ref. No.	253039000003 GMW1025-C09 GMW1030-C09 P100M25ASL-H4-C09 P180M30ASL-YL-C09 SEE250H4H-SABCOG-C09 SEE30FYLH-SABCOG-C09 W-15-102-C
description	microswitch with plunger 250V 15A 1CO connection male faston 4.8mm ambient temperature max. 105°C mounting distance 22mm type W-15-102C actuating force: 180g white		


 <p>1</p>			
Part No.	347798	Ref. No.	253039000010 GMW1025-C10 GMW1025-C11 GMW1030-C10 GMW1030-C11 P100M25ASL-H4-C10 P180M30ASL-YL-C10 P180M30ASL-YL-C11 SEE250H4H-SABCOG-C11 SEE30FYLH-SABCOG-C10 SEE30FYLH-SABCOG-C11 W-15-302C
description	microswitch with plunger 250V 15A 1NO connection male faston 4.8mm L 20mm L2 22mm ambient temperature max. 105°C mounting distance 22mm type W-15-302C actuating force: 200g white		

accessories

 <p>1</p>			
Part No.	347797	Ref. No.	223109000105 GMW1030-P23 P180M30ASL-YL-P23 SEE30FYLH-SABCOG-P23
description	bracket for microswitch L 165mm W 65mm Qty 1 pcs		
accessories for	347797		
			
Part No.	347794	Ref. No.	223119000028 GMW1030-P247 P180M30ASLYL-P247 SEE30FYLH-SABCOG-P247
description	lever for microswitch L 28mm small ID ø 5mm W 22mm Qty 1 pcs		
			
Part No.	347795	Ref. No.	223119000027 GMW1030-P246 P180M30ASLYL-P246 SEE30FYLH-SABCOG-P246
description	lever for microswitch L 45mm middle ID ø 5mm W 22mm Qty 1 pcs		
			
Part No.	347796	Ref. No.	223119000026 GMW1030-P245 P180M30ASLYL-P245 SEE30FYLH-SABCOG-P245
description	lever for microswitch L 63mm large ID ø 5mm W 22mm Qty 1 pcs		

 <p>1</p>			
Part No.	347794	Ref. No.	223119000028 GMW1030-P247 P180M30ASL-YL-P247 SEE30FYLH-SABCOG-P247
description	lever for microswitch L 28mm small ID ø 5mm W 22mm Qty 1 pcs		

			
1			
Part No.	347795	Ref. No.	223119000027 GMW1030-P246 P180M30ASL-YL-P246 SEE30FYLH-SABCOG-P246
description	lever for microswitch L 45mm middle ID ø 5mm W 22mm Qty 1 pcs		

			
1			
Part No.	347796	Ref. No.	223119000026 GMW1030-P245 P180M30ASL-YL-P245 SEE30FYLH-SABCOG-P245
description	lever for microswitch L 63mm large ID ø 5mm W 22mm Qty 1 pcs		


lamps


microwave lamps

sockets

			
1			
Part No.	357141	Ref. No.	253079000023 GMW1030-P21 P180M30ASL-YL-P21 SEE30FYLH-SABCOG-P21
description	lamp socket socket E14 250V ø 26mm L 37mm connection male faston 4.8mm mounting distance 40mm for microwave holder length 52mm plastic Qty 1 pcs		

light bulbs

			
1			
Part No.	357142	Ref. No.	253079000050 GMW1030-C06 P180M30ASL-YL-C06 SEE30FYLH-SABCOG-C06
description	light bulb socket E14 230V 20W ø 22mm L 58mm Qty 1 pcs lens L 33mm		


			
1			
Part No.	357175	Ref. No.	253079000039 GMW1025-C06 P100M25ASL-H4-C06 SEE250H4H-SABCOG-C06
description	light bulb socket E14 230V 20W ø 25mm L 63mm Qty 1 pcs lens L 37mm		


solid state relays

accessories


diodes


high voltage diodes

			
1			
Part No.	403185	Ref. No.	GMW1030-C45 P180M30ASL-YL-C45 SEE30FYLH-SABCOG-C45
description	hv diode type RG304 connection F4.8mm / lug M4 for microwave Qty 1 pcs		

			
1			
Part No.	403261	Ref. No.	253089000101 GMW1025-C02 P100M25ASL-H4-C02 SEE250H4H-SABCOG-C02
description	hv diode type RG501 connection F6.3mm / lug M4 cable lengthmm for microwave Qty 1 pcs		

magnetrons

			
1			
Part No.	403173	Ref. No.	253017000051 GMW1025-C08 P100M25ASL-H4-C08 SEE250H4H-SABCOG-C08
description	Magnetron type 2M248J(JT)		





1

Part No.	403259	Ref. No.	GMW1030-C08 M24FB-610A P180M30ASL-YL-C08 SEE30FYLH-SABCOG-C08
description	Magnetron type M24FB-610A for microwave suitable for GALANZ		

electronics

electronics accessories




1

Part No.	551213	Ref. No.	223249000078 GMW1030-P65 P180M30ASL-YL-P65 SEE30FYLH-SABCOG-P65
description	bracket for PCB L 125mm W 80mm thickness 3mm plastic Qty 1 pcs		


transformers

HV transformers




1

Part No.	403258	Ref. No.	253029000697 95244XC-5 GAL-900E-4 P180M30ASL-YL-C12 SEE30FYLH-SABCOG-C12
description	HV transformer primary 230-240V 50Hz type 95244XC-5 for microwaves		



1


Part No.	403737	Ref. No.	253029000698 95244XC-7 GMW1030-C12
description	HV transformer primary 230-240V 50Hz type 95244XC-7 for microwaves		



1


Part No.	403257	Ref. No.	253029000256 GAL-1000E-1G GMW1025-C12 P100M25ASL-H4-C12 SEE250H4H-SABCOG-C12
description	HV transformer primary 230-240V 50Hz type GAL-1000E-1G for microwave		

PCBs




1

Part No.	403168	Ref. No.	GMW1030-C17 old P180M30ASL-YL-C17 old SEE30FYLH-SABCOG-C17 old
description	control PCB microwave GMW1030 L 335mm W 50mm with display		



1


Part No.	403653	Ref. No.	263019008957 GMW1030-C17 P180M30ASL-YL-C17 SEE30FYLH-SABCOG-C17
description	control PCB microwave GMW1030 L 375mm W 50mm with display		




1

Part No.	403529	Ref. No.	263019008956 GMW1025-C17 P100M25ASL-H4-C17 SEE250H4H-SABCOG-C17
description	display PCB microwave GMW1025 L 160mm W 85mm cable length 200mm for microwave		





			
1			
Part No.	403184	Ref. No.	263029001216 GMW1030-C04 P180M30ASL-YL-C04 SEE30FYLH-SABCOG-C04
description	line filter for microwave type GMW1030 250V 50/60Hz conductor 2 PCB connection male faston 6.3mm L 90mm H 20mm W 70mm PCB Qty 1 pcs cable length 130mm		

			
1			
Part No.	403188	Ref. No.	263029001088 GMW1025-C04 P100M25ASL-H4-C04 SEE250H4H-SABCOG-C04
description	line filter microwave for GMW1025 250V 50/60Hz conductor 2 PCB connection male faston 4.8mm L 80mm H 20mm W 40mm PCB Qty 1 pcs cable length 120mm type DNV-0818A-5		

keypads


membrane keypads

			
1			
Part No.	403186	Ref. No.	253069004090 GMW1030-C18 P180M30ASL-YL-C18 SEE30FYLH-SABCOG-C18
description	membrane keypad microwave buttons 18 Qty 1 pcs L 386mm W 42mm		

			
1			
Part No.	403187	Ref. No.	253069002692 GMW1025-C18 P100M25ASL-H4-C18 SEE250H4H-SABCOG-C18
description	membrane keypad microwave GMW1025 2-piece buttons 15 Qty 1 pcs L 164mm W 70mm		

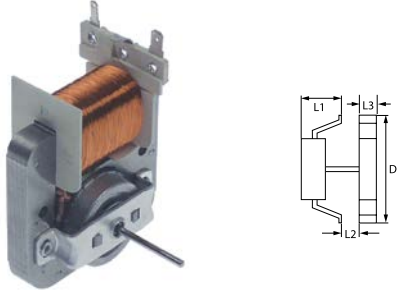
fans

hot air motors

			
1			
Part No.	601865	Ref. No.	278009000143 GAL6125E-ZD-1 GMW1030-C05 P180M30ASL-YL-C05 SEE30FYLH-SABCOG-C05
description	fan motor 220-240V 50/60Hz 0.036kW 2500rpm D1 ø 6mm power input 18W at 50Hz 2600rpm shaft flat length 18mm		


hot air fans

miscellaneous

			
1			
Part No.	601838	Ref. No.	278009000033 GMW1025-C05 P100M25ASL-H4-C05 SEE250H4H-SABCOG-C05
description	fan motor 220-240V 18W 2500rpm L1 33mm L2 12mm L3 15mm L4mm fan wheel ø 120mm shaft 2x2.5mm GALANZ type GAL6309E(30)-ZD Qty 1 pcs		

accessories

fan wheels for hot air fans

			
1			
Part No.	601839	Ref. No.	223149000014 GMW1025-P06 P100M25ASL-H4-P06 SEE250H4H-SABCOG-P06
description	fan wheel ø 120mm W 32mm shaft intake ø 2x2.5mm plastic blades 4 Qty 1 pcs		



miscellaneous



1

Part No.	601840	Ref. No.	22313900011 GMW1025-P05
description	bracket ø 130mm L 135mm W 130mm for hot air fan Qty 1 pcs		

radial fans

accessories

fan wheels for radial fans



1

Part No.	601837	Ref. No.	223999000174 GMW1030-P272 P180M30ASL-YL-P272 SEE30FYLH-SABCOG-P272
description	fan wheel for radial fan ø 96mm shaft diameter 4x5mm H 49mm blades 40 plastic Qty 1 pcs		

motors

gear motors

for microwaves



1

Part No.	601867	Ref. No.	278019000017 GMW1025-C100 P100M25ASL-H4-C100 SEE250H4H-SABCOG-C100
description	gear motor GALANZ type GAL-33-30-TD(B) 4W 30V voltage AC 50/60Hz 33/40rpm shaft ø 6x3.5mm for microwave Qty 1 pcs		



1

Part No.	601828	Ref. No.	278009000128 GMW1030-C100 P180M30ASL-YL-C100 SEE30FYLH-SABCOG-C100
description	gear motor SYNCHRONOUS MOTOR type SM-16E 3W 220-240V voltage AC 50/60Hz 30/36rpm shaft ø 6x3.5mm		

condensators & interference suppression filters

filters

line filters

without housing



1

Part No.	403184	Ref. No.	263029001216 GMW1030-C04 P180M30ASL-YL-C04 SEE30FYLH-SABCOG-C04
description	line filter for microwave type GMW1030 250V 50/60Hz conductor 2 PCB connection male faston 6.3mm L 90mm H 20mm W 70mm PCB Qty 1 pcs cable length 130mm		



1

Part No.	403188	Ref. No.	263029001088 GMW1025-C04 P100M25ASL-H4-C04 SEE250H4H-SABCOG-C04
description	line filter microwave for GMW1025 250V 50/60Hz conductor 2 PCB connection male faston 4.8mm L 80mm H 20mm W 40mm PCB Qty 1 pcs cable length 120mm type DNV-0818A-5		



HV capacitors



1

Part No.	365158	Ref. No.	253059000130 GMW1030-C03 P180M30ASL-YL-C03 SEE30FYLH-SABCOG-C03
description	HV capacitor for microwave 1.05µF type CH85-21105 2100V 50/60Hz double connection male faston 6.3mm L 90mm H 33mm W 52mm dependent on equipment aluminium Qty 1 pcs ømm		



2

Part No.	365159	Ref. No.	253059000142 GMW1025-C03 P100M25ASL-H4-C03 SEE250H4H-SABCOG-C03
description	HV capacitor for microwave 1.15µF type CH85-21115 2100V 50/60Hz double connection male faston 4.8mm L 105mm H 33mm W 52mm dependent on equipment aluminium Qty 1 pcs		

electric accessories

cables

power supply cables



1

Part No.	551232	Ref. No.	253159002607 GMW1025-C14 P100M25ASL-H4-C14 SEE250H4H-SABCOG-C14
description	power lead CEE7/7 1mm ² max 500V 1.5m Qty 1 pcs connection male faston 6.3mm black		

cable harnesses



1

Part No.	694615	Ref. No.	253169000472 GMW1025-C13 P100M25ASL-H4-C13 SEE250H4H-SABCOG-C13
description	cable harness for microwave L 800mm Qty 1 pcs		

equipment-specific units

for microwaves

electric

displays



1

Part No.	692457	Ref. No.	243029001240 GMW1030-P40 P180M30ASL-YL-P40 SEE30FYLH-SABCOG-P40
description	disc for display plexiglas W 32mm L 70mm thickness 1.3mm Qty 1 pcs		

microswitches

holders



1

Part No.	347797	Ref. No.	223109000105 GMW1030-P23 P180M30ASL-YL-P23 SEE30FYLH-SABCOG-P23
description	bracket for microswitch L 165mm W 65mm Qty 1 pcs		
accessories for	347797		



Part No.	347794	Ref. No.	223119000028 GMW1030-P247 P180M30ASLYL-P247 SEE30FYLH-SABCOG-P247
description	lever for microswitch L 28mm small ID ø 5mm W 22mm Qty 1 pcs		



Part No.	347795	Ref. No.	223119000027 GMW1030-P246 P180M30ASLYL-P246 SEE30FYLH-SABCOG-P246
description	lever for microswitch L 45mm middle ID ø 5mm W 22mm Qty 1 pcs		



Part No.	347796	Ref. No.	223119000026 GMW1030-P245 P180M30ASLYL-P245 SEE30FYLH-SABCOG-P245
description	lever for microswitch L 63mm large ID ø 5mm W 22mm Qty 1 pcs		



levers			
1			
Part No.	347794	Ref. No.	223119000028 GMW1030-P247 P180M30ASL-YL-P247 SEE30FYLH-SABCOG-P247
description	lever for microswitch L 28mm small ID ø 5mm W 22mm Qty 1 pcs		

1			
Part No.	347795	Ref. No.	223119000027 GMW1030-P246 P180M30ASL-YL-P246 SEE30FYLH-SABCOG-P246
description	lever for microswitch L 45mm middle ID ø 5mm W 22mm Qty 1 pcs		

1			
Part No.	347796	Ref. No.	223119000026 GMW1030-P245 P180M30ASL-YL-P245 SEE30FYLH-SABCOG-P245
description	lever for microswitch L 63mm large ID ø 5mm W 22mm Qty 1 pcs		

line filters			
1			
Part No.	403184	Ref. No.	263029001216 GMW1030-C04 P180M30ASL-YL-C04 SEE30FYLH-SABCOG-C04
description	line filter for microwave type GMW1030 250V 50/60Hz conductor 2 PCB connection male faston 6.3mm L 90mm H 20mm W 70mm PCB Qty 1 pcs cable length 130mm		

1			
Part No.	403188	Ref. No.	263029001088 GMW1025-C04 P100M25ASL-H4-C04 SEE250H4H-SABCOG-C04
description	line filter microwave for GMW1025 250V 50/60Hz conductor 2 PCB connection male faston 4.8mm L 80mm H 20mm W 40mm PCB Qty 1 pcs cable length 120mm type DNV-0818A-5		

housings			
outer parts			
1			
Part No.	692453	Ref. No.	403079000048 GMW1030-P240 P180M30ASL-YL-P240 SEE30FYLH-SABCOG-P240
description	frame L 484mm W 72mm H 34mm for microwave Qty 1 pcs		

ceramic plates			
1			
Part No.	692350	Ref. No.	243999000108 GMW1025-P162 P100M25ASL-H4-P162 SEE250H4H-SABCOG-P162
description	ceramic plate L 330mm W 335mm for microwave thickness 3.5mm GMW1025 Qty 1 pcs		
accessories for	692350		
Part No.	901698	Ref. No.	593219000016 GMW1025-P161 P100M25ASLH4-P161
description	gasket L 330mm W 325mm silicone for ceramic plate Qty 1 pcs		

1			
Part No.	692462	Ref. No.	243999000113 GMW1030-P161 P180M30ASL-YL-P161 SEE30FYLH-SABCOG-P161
description	ceramic plate L 365mm W 353mm for microwave thickness 4mm GMW1030 suitable for GALANZ		



miscellaneous



1

Part No.	601869	Ref. No.	213149000023 GMW1025-P04 P100M25ASL-H4-P04 SEE250H4H-SABCOG-P04
description	bracket L 78mm W 20mm H 50mm for condenser Qty 1 pcs		

doors

films



1

Part No.	692451	Ref. No.	515059000119 GMW1025-P114 P100M25ASL-H4-P114 SEE250H4H-SABCOG-P114
description	film L 287mm W 159mm for door inside thickness 0.1mm transparent suitable for GALANZ plastic Qty 1 pcs		

door hinges



1

Part No.	701250	Ref. No.	213999000705 GMW1030-P377 P180M30ASL-YL-P377 SEE30FYLH-SABCOG-P377
description	hook lower for door latch L 51mm W 6mm H 28mm hole \varnothing 4.4mm Qty 1 pcs		

door catches



1

Part No.	347902	Ref. No.	GMW1025-P198 P100M25ASL-H4-P198 SEE250H4H-SABCOG-P198
description	door catch L 174mm W 48mm for microwave GMW1025 suitable for GALANZ plastic Qty 1 pcs		

tension springs



1

Part No.	701249	Ref. No.	575000090094 GMW1030-P118 P180M30ASL-YL-P118 SEE30FYLH-SABCOG-P118
description	tension spring \varnothing 7.3mm total length 25.5mm wire gauge \varnothing 1mm for door latch Qty 1 pcs		

handles and hand wheels

door handles

door handles



1

Part No.	694617	Ref. No.	213999000846 GMW1030-P34 P180M30ASL-YL-P34 SEE30FYLH-SABCOG-P34
description	handle rod tube \varnothing 16mm L 235mm aluminium Qty 1 pcs		

equipment feet and end caps

equipment feet with stem



1

Part No.	701251	Ref. No.	223189000015 GMW1025-P26 P100M25ASL-H4-P26 SEE250H4H-SABCOG-P26
description	equipment foot \varnothing 20mm H 12mm mounting \varnothing 8mm mounting measurements 19mm overall height 19mm plastic Qty 1 pcs		

gaskets

special gaskets

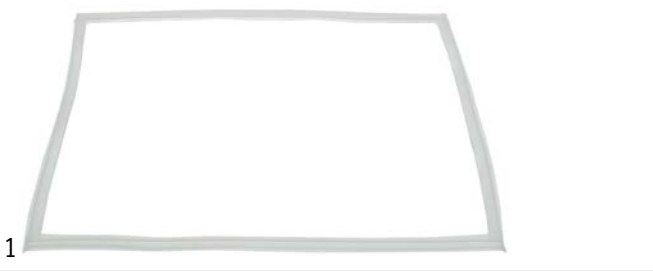
for microwaves



1

Part No.	901698	Ref. No.	593219000016 GMW1025-P161 P100M25ASL-H4-P161 SEE250H4H-SABCOG-P161
description	gasket L 330mm W 325mm silicone for ceramic plate Qty 1 pcs		



			
1			
Part No.	902161	Ref. No.	P161
description	gasket L 365mm W 360mm silicone for ceramic plate Qty 1 pcs for GMW1030		

springs

tension springs

			
1			
Part No.	701249	Ref. No.	575000090094 GMW1030-P118 P180M30ASL-YL-P118 SEE30FYLH-SABCOG-P118
description	tension spring ø 7.3mm total length 25.5mm wire gauge ø 1mm for door latch Qty 1 pcs		

GASTROPARTS.COM

