



GASTROPARTS

Futurmat

- [EN]** Equipment
- [DE]** Geräte
- [ES]** Aparatos
- [FR]** Équipement
- [IT]** Attrezzature
- [PL]** Urządzenia
- [RU]** Оборудование

✉ gastroparts@gastroparts.com

☎ +48 56 657 00 66

📘 fb.com/gastroparts.global


GASTROPARTS.COM












heating elements

heating elements for coffee machine


			
1			
Part No.	417116	Ref. No.	N/A
description	heating element 1800W 230V heating circuits 2 mounting \varnothing 42mm hole distance 74mm L 240mm W 36mm H 44mm L1 25mm L2 40mm L3 173mm H1 31mm H2 12mm hole \varnothing 9mm tube \varnothing 8.5mm thermostat sleeves \varnothing 6mm length thermostat sleeves 205mm thermostat sleeve not clinging number of thermostat sleeves 1 connection M4 immersion heater 2 hole flange		

			
1			
Part No.	417001	Ref. No.	02212439
description	heating element 2600W 230V heating circuits 2 mounting \varnothing 42mm hole distance 74mm L 330mm W 30mm H 60mm L1 23mm L2 65mm L3 202mm H1 30mm H2 30mm hole \varnothing 12mm tube \varnothing 8.5mm thermostat sleeves \varnothing 7mm length thermostat sleeves 195mm thermostat sleeve eccentric, non clinging number of thermostat sleeves 1 connection M6 immersion heater 2 hole flange		
accessories for	417001		
	Part No.	Ref. No.	N/A
	528002		
	flat gasket PTFE ED \varnothing 57mm ID \varnothing 42mm thickness 3mm Qty 1 pcs equiv. no. 12001/W10470 suitable for		
	Part No.	Ref. No.	—
	528488		
	flat gasket fibre ED \varnothing 57mm ID \varnothing 42mm thickness 3mm Qty 1 pcs		


			
1			
Part No.	417008	Ref. No.	N/A
description	heating element 2600W 230V heating circuits 2 mounting \varnothing 42mm hole distance 74mm L 360mm W 26mm H 155mm L1 49mm L2 51mm L3 260mm H1 130mm H2 25mm hole \varnothing 9mm tube \varnothing 8mm connection M4 immersion heater 2 hole flange		
spare parts for	417008		
	Part No.	Ref. No.	—
	528488		
	flat gasket fibre ED \varnothing 57mm ID \varnothing 42mm thickness 3mm Qty 1 pcs		
accessories for	417008		
	Part No.	Ref. No.	N/A
	528002		
	flat gasket PTFE ED \varnothing 57mm ID \varnothing 42mm thickness 3mm Qty 1 pcs equiv. no. 12001/W10470 suitable for		

			
1			
Part No.	417290	Ref. No.	08024804
description	heating element 3000W 230V heating circuits 2 mounting \varnothing 42mm hole distance 74mm L 250mm W 28mm H 65mm L1 20mm L2 40mm L3 190mm H1 30mm H2 35mm hole \varnothing 10mm tube \varnothing 8.3mm thermostat sleeves \varnothing 7mm length thermostat sleeves 210mm number of thermostat sleeves 1 connection M4 immersion heater 2 hole flange		

			
1			
Part No.	417108	Ref. No.	08148002
description	heating element 3500W 230V heating circuits 2 mounting \varnothing 42mm hole distance 74mm L 380mm W 30mm H 50mm L1 25mm L2 70mm L3 275mm H1 25mm H2 25mm hole \varnothing 10mm tube \varnothing 8.5mm thermostat sleeves \varnothing 7mm length thermostat sleeves 190mm thermostat sleeve not clinging number of thermostat sleeves 1 connection M4 immersion heater 2 hole flange		

			
1			
Part No.	417105	Ref. No.	02212538
description	heating element 3700W 230V heating circuits 2 mounting \varnothing 42mm hole distance 74mm L 530mm W 28mm H 50mm L1 30mm L2 75mm L3 400mm H1 25mm H2 25mm hole \varnothing 9mm tube \varnothing 8.4mm thermostat sleeves \varnothing 7.5mm length thermostat sleeves 185mm thermostat sleeve eccentric, non clinging number of thermostat sleeves 1 connection M6 immersion heater 2 hole flange suitable for FAEMA		


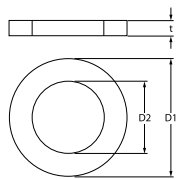
			
1			
Part No.	417187	Ref. No.	F..13
description	heating element 3700W 230V heating circuits 2 mounting \varnothing 42mm hole distance 74mm L 570mm W 38mm H 48mm L1 25mm L2 60mm L3 485mm H1 26mm H2 12mm hole \varnothing 10mm tube \varnothing 8mm connection M4 immersion heater 2 hole flange		

			
1			
Part No.	417110	Ref. No.	02212637
description	heating element 5000W 230V heating circuits 2 mounting \varnothing 42mm hole distance 74mm L 525mm W 26mm H 45mm L1 25mm L2 80mm L3 420mm H1 30mm H2 15mm hole \varnothing 10mm tube \varnothing 8.5mm thermostat sleeves \varnothing 7mm length thermostat sleeves 210mm thermostat sleeve eccentric, non clinging number of thermostat sleeves 1 connection M6 immersion heater 2 hole flange windings 2		

accessories

sealing washers

PTFE gaskets

 			
1			
Part No.	528002	Ref. No.	N/A
description	flat gasket PTFE ED \varnothing 57mm ID \varnothing 42mm thickness 3mm Qty 1 pcs equiv. no. 12001/W10470 suitable for		



thermostats

bi-metal thermostats

bi-metal thermostats



1

Part No.	390319	Ref. No.	08368400
description	bi-metal thermostat hole distance 23.8mm switch-off temp. 80°C 1NC 1-pole 16A connection F6.3 2 hole fixing		

switches and momentary switches

microswitches

pin-plunger actuated



1

Part No.	345105	Ref. No.	N/A
description	microswitch with plunger 250V 16A 1CO connection male faston 6.3mm L 28mm ambient temperature max. 125°C mounting distance 22mm type SM-51 actuating force: 280g black		

rotary switches

accessories

symbol labels



1

Part No.	347265	Ref. No.	08283202
description	symbol label 0-1-heating off ø 53mm bore ø 7mm mounting distance 28mm		

electronics

PCBs



1

Part No.	402385	Ref. No.	08264301
description	display L 131mm W 47mm with keypad		

keypads

front foils



1

Part No.	401434	Ref. No.	08109600
description	keypad foil coffee machine Arienne/Arieta 1-2-3-4 gr. L 92mm W 26mm buttons 5		



1

Part No.	400442	Ref. No.	08274201
description	keypad foil L 80mm W 44mm buttons 5		

solenoid valves

solenoid valves (water)

metal

PARKER

spare parts and accessories

valve bodies



1

Part No.	370062	Ref. No.	FS03 FS09
description	solenoid valve body PARKER 3-ways outer cone		

accessories for 370062



1

Part No.	371029	Ref. No.	—
description	solenoid coil PARKER 230VAC 9VA coil type ZB09 seat ø 14mm H 33mm W 34mm D 43mm		



1

Part No.	371030	Ref. No.	—
description	solenoid coil 24VDC 12VA coil type ZB12 seat ø 14mm		



1

Part No.	371033	Ref. No.	—
description	solenoid coil PARKER 230VAC 9VA coil type YB09 with cable seat ø 14mm		



1

Part No.	371036	Ref. No.	—
description	solenoid coil 24VAC 9VA coil type ZB09 seat ø 14mm		



1

Part No.	371095	Ref. No.	—
description	O-ring Viton thickness 1.78mm ID ø 6.07mm Qty 1 pcs		



1

Part No.	371100	Ref. No.	—
description	O-ring silicone thickness 1.78mm ID ø 6.07mm Qty 1 pcs		



flow meters and flow sensors

flow meters

accessories universal



1

Part No.	400319	Ref. No.	N/A
description	adapter for flow meter		

pumps

booster pumps II

pump heads

FLUID-O-TECH



1

Part No.	500064	Ref. No.	07822109
description	pump head PO204 FLUID-O-TECH L 82mm 200l/h connection 3/8" GAS with bypass brass clip connection for coffee machine shaft ø 4.8x11mm		

accessories for

Part No.	520126	Ref. No.	—
-----------------	--------	-----------------	---



clamp for pump/motor

equipment-specific units

for espresso machines

filter holders

filter holders standard

filter holders (complete)



1

Part No.	531173	Ref. No.	08485800
description	filter holder 1-way suitable for FUTURMAT complete number of wedges 2		



1

Part No.	531174	Ref. No.	08485900
description	filter holder 2-way suitable for FUTURMAT complete number of wedges 2		

filter holders short



1

Part No.	529124	Ref. No.	N/A
description	filter holder mounting ø 82mm outlet 3/8" ID ø 62mm handle M12x1.75 wedge height 10.5mm wedge position horizontal number of wedges 2 lever straight chrome-plated brass		



1

Part No.	529150	Ref. No.	N/A
description	filter holder mounting ø 82mm outlet 3/8" ID ø 62mm handle M8x1.25 wedge height 10.5mm wedge position horizontal number of wedges 2 lever straight chrome-plated brass		

handles

with external thread



1

Part No.	529121	Ref. No.	N/A
description	handle for filter holder ø 35mm thread M12 thread L 15mm L 125mm black plastic		



1

Part No.	529116	Ref. No.	N/A
description	handle ø 35mm thread M12x1.75 thread L 15mm L 120mm		

filters

for 1 cup



1

Part No.	527631	Ref. No.	N/A
description	coffee filter ø 70mm mounting ø 60.7mm H 17mm cups 1 amount of coffee 8g		

brewing units

filter holder gaskets

flat

with bevel 45x2



1

Part No.	528042	Ref. No.	N/A
description	filter holder gasket with bevel 45x2 D1 ø 72mm D2 ø 56mm H 8mm		

steam/water taps

steam/water taps

steam/water taps



1

Part No.	529520	Ref. No.	N/A
description	steam/water tap suitable for FUTURMAT		

spare parts for 529520



Part No.	529251	Ref. No.	—
description	O-ring EPDM thickness 2.62mm ID ø 15.08mm Qty 1 pcs		

components

gaskets



1

Part No.	528648	Ref. No.	11181302
description	gasket D1 ø 12.2mm thickness 6mm		

steam/water pipes

steam pipes



1

Part No.	529521	Ref. No.	N/A
description	steam pipe complete		

water pipes



1

Part No.	529586	Ref. No.	N/A
description	water pipe L 130mm		

fine filters

fine filters



1

Part No.	529911	Ref. No.	02435808
description	fine filter flat ø 11mm H 0.25mm		

level glasses

level glasses

level glass pipes



1

Part No.	529367	Ref. No.	08181703
description	water level tube ø 11mm H 108mm		

knobs

steam/water taps


steam/water taps




1


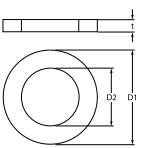
Part No.	111063	Ref. No.	08185911
description	knob ø 50mm black		


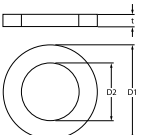



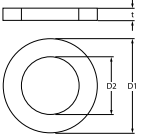
			
1			
Part No.	111020	Ref. No.	07678709
description	knob zero mark white ø 38mm shaft ø 6x5mm shaft flat on both sides black		


knob dial plates			
			
1			
Part No.	528760	Ref. No.	08185804
description	knob adapter ø 45mm L 43mm		


gaskets


O-rings			
EPDM			
 			
1			
Part No.	529412	Ref. No.	08291007
description	O-ring EPDM thickness 2.62mm ID ø 10.78mm Qty 1 pcs		


Viton			
 			
1			
Part No.	528647	Ref. No.	02078004
description	O-ring Viton thickness 2.62mm ID ø 15.08mm Qty 1 pcs		


 			
1			
Part No.	528649	Ref. No.	02476703
description	O-ring Viton thickness 2mm ID ø 6mm Qty 1 pcs		

sealing washers			
copper gaskets			
DIN-7603-C			
			
1			
Part No.	528520	Ref. No.	02455103
description	gasket copper ED ø 22mm ID ø 16mm thickness 2mm		

PTFE gaskets			
			
1			
Part No.	528524	Ref. No.	N/A
description	flat gasket PTFE ED ø 36.5mm ID ø 30.5mm thickness 2mm Qty 1 pcs		

			
1			
Part No.	528002	Ref. No.	N/A
description	flat gasket PTFE ED ø 57mm ID ø 42mm thickness 3mm Qty 1 pcs equiv. no. 12001/W10470 suitable for		

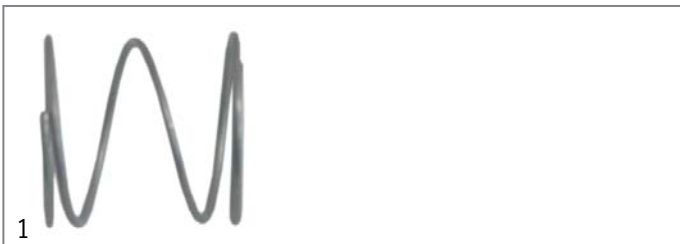
special gaskets			
group gaskets			
			
1			
Part No.	528115	Ref. No.	N/A
description	group gasket L 79mm W 72mm thickness 2mm hole distance 55mm suitable for FAEMA/FUTURMAT fibre		

			
1			
Part No.	528113	Ref. No.	N/A
description	group gasket L 80mm W 23mm thickness 2mm suitable for FAEMA/FUTURMAT		



springs

compression springs



Part No.	528758	Ref. No.	08018707
description	compression spring ø 29.6mm L 28mm wire gauge ø 1.5mm		

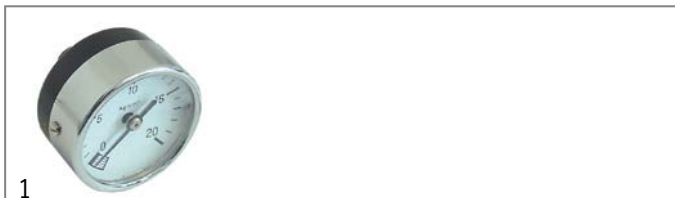


Part No.	528668	Ref. No.	07507304
description	compression spring ø 6.9mm L 28mm wire gauge ø 1mm		

manometers



Part No.	541713	Ref. No.	08130600
description	manometer double scale ø 60mm pressure range 0-2.5 / 0-16bar connection on the backside thread 1/8"		



Part No.	541281	Ref. No.	N/A
description	manometer ø 53mm pressure range 0 up to 20bar thread 1/4" connection on the backside		

GASTROPARTS.COM

