



**GASTROPARTS**

# Friulinox

- [EN]** Equipment
- [DE]** Geräte
- [ES]** Aparatos
- [FR]** Équipement
- [IT]** Attrezzature
- [PL]** Urządzenia
- [RU]** Оборудование

✉ [gastroparts@gastroparts.com](mailto:gastroparts@gastroparts.com)

☎ +48 56 657 00 66

📘 [fb.com/gastroparts.global](https://fb.com/gastroparts.global)

**GASTROPARTS.COM**

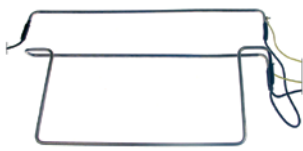




# heating elements


## heating elements for refrigeration

### heating elements for defrosting



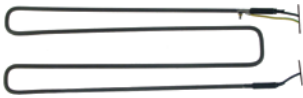
1

<b>Part No.</b>	418567	<b>Ref. No.</b>	995594 FR6620631 FR995594
<b>description</b>	heating element 140W 230V L 490mm W 190mm cable length 3500mm tube ø 6.3mm connection length 45mm immersion heater H 35mm		




1

<b>Part No.</b>	418577	<b>Ref. No.</b>	6620303 995379 FR6620303 FR995379
<b>description</b>	heating element 350W 230V L 293mm W 445mm L1 43mm L2 250mm W1 355mm W2 90mm cable length 1450mm defrosting connection cable		




1

<b>Part No.</b>	418580	<b>Ref. No.</b>	935475 BN1666354 FR935475
<b>description</b>	heating element 350W 230V L 420mm W 135mm cable length 3600mm tube ø 6.3mm defrosting		




1

<b>Part No.</b>	418581	<b>Ref. No.</b>	990337 FR6621071 FR990337
<b>description</b>	heating element 350W 230V L 525mm W 90mm L1 15mm L2 510mm W1 60mm W2 30mm cable length 1800mm tube ø 6.5mm defrosting		



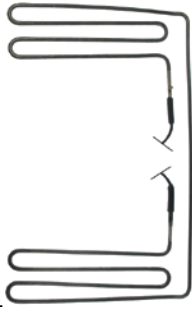
1

<b>Part No.</b>	418568	<b>Ref. No.</b>	995748 FR995748
<b>description</b>	heating element 430W 230V L 445/523mm W 180mm connection cable cable length 3500mm tube ø 6.3mm immersion heater H 45mm		




1

<b>Part No.</b>	418576	<b>Ref. No.</b>	6621081 935614 FR6621081 FR935614
<b>description</b>	heating element 500W 230V L 100mm W 520mm L1 30mm L2 70mm W1 35mm W2 495mm cable length 1700mm defrosting		



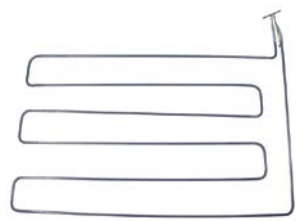
1

<b>Part No.</b>	418578	<b>Ref. No.</b>	995584 FR995584
<b>description</b>	heating element 660W 230V L 290mm W 460mm connection cable L1 40mm L2 250mm cable length 1400mm tube ø 6.3mm defrosting		




1

<b>Part No.</b>	418579	<b>Ref. No.</b>	6620371 995381 FR6620371 FR995381
<b>description</b>	heating element 700W 230V L 290mm W 610mm L1 40mm L2 250mm tube ø 6.3mm defrosting		




1

<b>Part No.</b>	418796	<b>Ref. No.</b>	965105 FR6620950 FR965105
<b>description</b>	heating element 700W 230V L 440mm W 670mm L1 60mm L2 380mm W1 30mm W2 640mm cable length 2500mm tube ø 6.5mm defrosting		

<b>Part No.</b>	418566	<b>Ref. No.</b>	995581 995641 FR6620502 FR995581
<b>description</b>	heating element 75W 220V L 500mm W 35mm H 45mm cable length 5700mm tube ø 6.3mm dry heating element		

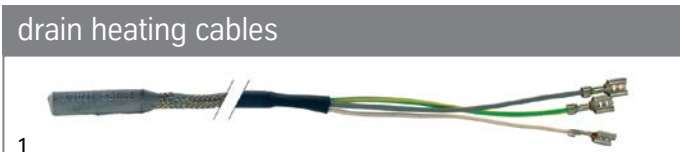
### heating elements for condensate evaporation




<b>Part No.</b>	418582	<b>Ref. No.</b>	1666101 935616 BN1666101 FR935616
<b>description</b>	heating element 100W 230V L 140mm W 225mm H 80mm W1 62mm W2 62mm cable length 1500mm connection cable tube ø 9mm thermostat sleeves ø 7.5mm length thermostat sleeves 111mm thermostat sleeve lateral, adjacent condensate evaporation number of thermostat sleeves 1		

## heating cables

### drain heating cables



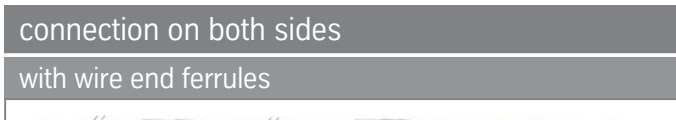
<b>Part No.</b>	418570	<b>Ref. No.</b>	995162 FR6620031 FR995162
<b>description</b>	drain heating cable 12W 230V ø 4mm L 3190mm L1 (unheated) 1650mm L2 (heated) 1540mm defrost drain metal connection male faston		




<b>Part No.</b>	418569	<b>Ref. No.</b>	995878 FR6621090 FR995878
<b>description</b>	drain heating cable 6W 230V ø 5mm L 2690mm L1 (unheated) 1930mm L2 (heated) 760mm defrost drain metal connection male faston		

### connection on both sides

#### with wire end ferrules




<b>Part No.</b>	420389	<b>Ref. No.</b>	FR965042
<b>description</b>	heating cable 40.9W 230V L 4250mm for blast chiller		




<b>Part No.</b>	420391	<b>Ref. No.</b>	FR6620731 FR965103
<b>description</b>	heating cable 68.6W 230V L 5800mm for blast chiller		

#### with male fastons

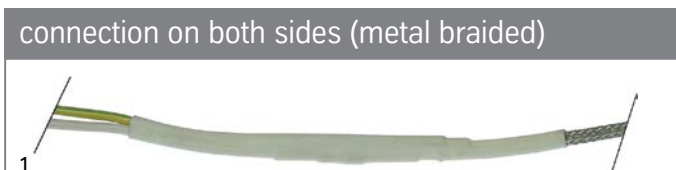


<b>Part No.</b>	420229	<b>Ref. No.</b>	925378 FR925378
<b>description</b>	heating cable 39.2W 230V L 6600mm door frame heating ø 4.2mm connection male faston 6.3mm		




<b>Part No.</b>	417576	<b>Ref. No.</b>	996456 FR6621641 FR965043 FR996456
<b>description</b>	heating cable 45.3W 230V L 5000mm		


### connection on both sides (metal braided)



<b>Part No.</b>	418590	<b>Ref. No.</b>	935355 FR935355
<b>description</b>	heating cable 26W 230V L1 (unheated) 460mm L2 (heated) 3500mm door frame heating ø 4mm L 4420mm connection cable		





<b>Part No.</b>	418554	<b>Ref. No.</b>	925293 FR925293
<b>description</b>	heating cable 28W 230V L1 (unheated) 900mm L2 (heated) 3440mm door frame heating ø 4mm L 5240mm connection cable		





<b>Part No.</b>	418555	<b>Ref. No.</b>	925374 FR925374
<b>description</b>	heating cable 31W 230V L1 (unheated) 900mm L2 (heated) 3950mm ø 3mm L 5750mm connection cable		





			
<b>Part No.</b>	418557	<b>Ref. No.</b>	925376 FR925376
<b>description</b>	heating cable 36W 230V L1 (unheated) 900mm L2 (heated) 4540mm door frame heating ø 4mm L 6340mm connection cable		


			
<b>Part No.</b>	418559	<b>Ref. No.</b>	925375 FR925375
<b>description</b>	heating cable 50W 230V L1 (unheated) 900mm L2 (heated) 6260mm ø 3mm L 8060mm		


			
<b>Part No.</b>	418561	<b>Ref. No.</b>	925384 FR925384
<b>description</b>	heating cable 51W L1 (unheated) 900mm L2 (heated) 6410mm ø 4mm L 8210mm connection cable		


			
<b>Part No.</b>	418560	<b>Ref. No.</b>	925377 FR6620920 FR925377
<b>description</b>	heating cable 54W 230V L1 (unheated) 900mm L2 (heated) 6720mm door frame heating ø 4mm L 8520mm connection cable		


			
<b>Part No.</b>	418592	<b>Ref. No.</b>	935353 FR935353
<b>description</b>	heating cable 58W L1 (unheated) 2000mm L2 (heated) 4400mm ø 3mm L 8400mm connection cable		

			
<b>Part No.</b>	418562	<b>Ref. No.</b>	925295 FR925295
<b>description</b>	heating cable 60W 230V L1 (unheated) 900mm L2 (heated) 7540mm door frame heating ø 4mm L 9340mm connection cable		


			
<b>Part No.</b>	418556	<b>Ref. No.</b>	925297 925298 FR925297 FR925298
<b>description</b>	heating cable 63W 230V L1 (unheated) 910mm L2 (heated) 7915mm door frame heating ø 4mm L 9725mm connection cable		


			
<b>Part No.</b>	418564	<b>Ref. No.</b>	925296 FR6620800 FR925296
<b>description</b>	heating cable 75W 230V L1 (unheated) 900mm L2 (heated) 9410mm door frame heating ø 4mm L 11210mm connection cable		

			
<b>Part No.</b>	418563	<b>Ref. No.</b>	925385 FR6620860 FR925385
<b>description</b>	heating cable 75W L1 (unheated) 930mm L2 (heated) 8520mm door frame heating ø 4mm L 10260mm connection cable		

			
<b>Part No.</b>	418565	<b>Ref. No.</b>	925299 FR925299
<b>description</b>	heating cable 83W L1 (unheated) 900mm L2 (heated) 10100mm ø 4mm L 11900mm connection cable		

miscellaneous

			
<b>Part No.</b>	418558	<b>Ref. No.</b>	925294 FR6620780 FR925294
<b>description</b>	heating cable on both sides 44W L 7230mm ø 4mm door frame heating L1 (unheated) 5430mm L2 (heated) 900mm metal		



			
<b>Part No.</b>	418591	<b>Ref. No.</b>	935354 FR935354
<b>description</b>	heating cable on both sides 72W 230V L 9600mm ø 4mm L1 (unheated) 2000mm L2 (heated) 5600mm metal connection cable		

thermostats

control and safety thermostats

PRODIGY / FIRT

control thermostats

			
			
<b>Part No.</b>	390595	<b>Ref. No.</b>	995574 FR6631660 FR995574
<b>description</b>	thermostat type PRODIGY temperature range 30-90°C probe ø 6.5mm probe L 63mm capillary pipe 1500mm		



refrigeration thermostats

universal with housing



<b>Part No.</b>	390536	<b>Ref. No.</b>	995921 FR995921
<b>description</b>	thermostat temperature range -35 up to +35°C probe ø6x110mm capillary pipe 1500mm PRODIGY at 400V 16A 1CO type TR/711-N		

RANCO

K22 series



<b>Part No.</b>	390261	<b>Ref. No.</b>	2475912 995352 FR6639240 FR995352 MA2475912
<b>description</b>	thermostat RANCO type K22L2557 probe ømm probe Lmm capillary pipe 2550mm temperature range -5 up to +13°C		

K55 series




<b>Part No.</b>	390259	<b>Ref. No.</b>	995395 FR995395
<b>description</b>	thermostat RANCO type K55L5026 probe ømm probe Lmm capillary pipe 2000mm temperature range +0.5 up to +8.0°C		



<b>Part No.</b>	390275	<b>Ref. No.</b>	995385 FR995385
<b>description</b>	thermostat RANCO type K55L5047 probe ømm probe Lmm capillary pipe 2000mm temperature range -24 up to -19°C		



<b>Part No.</b>	390445	<b>Ref. No.</b>	995386 FR995386	
<b>description</b>	thermostat RANCO type K55-L5061			
<b>accessories for</b>	390445			
	<b>Part No.</b>	111209	<b>Ref. No.</b>	995440 FR995440
knob switch zero mark ø 25mm shaft ø 6x4.6mm black				

switches and momentary switches

rocker/momentary rocker switches

25.5x25mm



<b>Part No.</b>	346869 <sup>1</sup>	<b>Ref. No.</b>	925643 FR925643
<b>description</b>	rocker switch mounting measurements 25.5x25mm green 2NO 250V 16A illuminated main switch connection male faston 6.3mm ambient temperature max. 85°C protection IP40		

<sup>1</sup>illuminated



<b>Part No.</b>	301245 <sup>1</sup>	<b>Ref. No.</b>	996032 FR6641020 FR996032
<b>description</b>	rocker switch mounting measurements 25.5x25mm white 2NO 250V 16A 0-I connection male faston 6.3mm protection IP40		

<sup>1</sup>illuminated

30x11mm





<b>Part No.</b>	301010	<b>Ref. No.</b>	995938 FR995938
<b>description</b>	rocker switch mounting measurements 30x11mm red 1NO/indicator light 250V 16A 0-I connection male faston 6.3mm ambient temperature max. 85/125°C protection IP40		



**accessories for** 301010





<b>Part No.</b>	301035	<b>Ref. No.</b>	—
protective cover mounting measurements 30x11mm			




30x22mm			
 <p>1</p>			
<b>Part No.</b>	301003	<b>Ref. No.</b>	995257 FR995257
<b>description</b>	rocker switch mounting measurements 30x22mm green 2NO 250V 16A illuminated 0-I connection male faston 6.3mm ambient temperature max. 125/55°C protection IP65		
<b>accessories for</b>	301003		
	<b>Part No.</b>	301036	<b>Ref. No.</b> —
	protective cover internal size 30x22mm for rocker switch mounting measurementsmm		

 <p>1</p>			
<b>Part No.</b>	301002	<b>Ref. No.</b>	995258 FR995258
<b>description</b>	rocker switch mounting measurements 30x22mm orange 2NO 250V 16A illuminated 0-I connection male faston 6.3mm ambient temperature max. 85/125°C protection IP65		
<b>accessories for</b>	301002		
	<b>Part No.</b>	301036	<b>Ref. No.</b> —
	protective cover internal size 30x22mm for rocker switch mounting measurementsmm		


 <p>1</p>			
<b>Part No.</b>	301029	<b>Ref. No.</b>	996209 FR996209
<b>description</b>	rocker switch mounting measurements 30x22mm green 1NO/ NO 250V 16A illuminated connection male faston 6.3mm ambient temperature max. 85°C protection IP40		

 <p>1</p>			
<b>Part No.</b>	301102	<b>Ref. No.</b>	6640421 995516 FR6640421 FR995516
<b>description</b>	rocker switch mounting measurements 30x22mm orange/green 1CO/indicator light 250V 16A illuminated connection male faston 6.3mm ambient temperature max. 85°C protection IP40		


 <p>1</p>			
<b>Part No.</b>	301103	<b>Ref. No.</b>	995410 FR995410
<b>description</b>	rocker switch mounting measurements 30x22mm orange/green 1NO/ indicator light 250V 16A illuminated 0-I connection male faston ambient temperature max. 85°C protection IP40		

microswitches

lever actuated


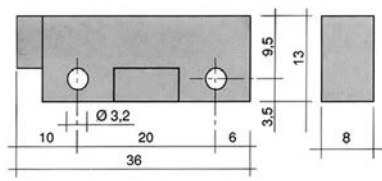

 <p>1</p>			
<b>Part No.</b>	345257	<b>Ref. No.</b>	995264 FR995264
<b>description</b>	microswitch with lever 250V 16A 1CO connection male faston 6.3mm L 29mm L1 33mm ambient temperature max. 120°C mounting distance 22mm actuating force: 130g lever length 31.5mm		

pin-plunger actuated

M12			
 <p>1</p>			
<b>Part No.</b>	345138	<b>Ref. No.</b>	995265 FR995265
<b>description</b>	microswitch with plunger mounting distance 25mm thread M12x1 thread L 12mm 250V 20A 1CO connection screw stroke 7mm L1 13mm ambient temperature max. 85°C type Z15G1307 actuating force: 250g		


magnetic switches

36x13mm

 <p>1</p>			
			
<b>Part No.</b>	345335	<b>Ref. No.</b>	995405 FR995405
<b>description</b>	magnetic switch L 36mm W 13mm 1NO 250V 0.04A P max. 10W connection cable cable length 960mm		
<b>accessories for</b>	345335		
	<b>Part No.</b>	519049	<b>Ref. No.</b> —
	magnet ømm L 63mm H 10.7mm W 18.8mm hole distance 52mm M2 hole ø 2mm		



## encoders and potentiometers


			
1			
<b>Part No.</b>	401762	<b>Ref. No.</b>	996248 FR996248
<b>description</b>	encoder shaft L 14mm cable length 300mm shaft 4.5x6mm		


## lamps

## indicator lights

## indicator lights (complete)

30x22mm


			
1			
<b>Part No.</b>	359156	<b>Ref. No.</b>	995402 FR995402
<b>description</b>	indicator light mounting measurements 30x22mm 230V yellow connection male faston 6.3mm temp.-resist. 125/55°C type RL2		

			
1			
<b>Part No.</b>	301138	<b>Ref. No.</b>	FR995406
<b>description</b>	indicator light mounting measurements 30x22mm 230V red/green connection male faston 6.3mm temp.-resist. 125/55°C type RL2		

## fluorescent lamps



## fluorescent lamps

G13


			
1			
<b>Part No.</b>	359386	<b>Ref. No.</b>	995340 FR995340
<b>description</b>	fluorescent lamp socket G13 L 1198mm 36W 230V Qty 1 pcs		

## accessories


## sockets

			
1			
<b>Part No.</b>	359441	<b>Ref. No.</b>	995341 995342 FR995341 FR995342
<b>description</b>	lamp socket cable length 2780mm for fluorescent lamps		
<b>accessories for</b>	359441		
	<b>Part No.</b>	359442	<b>Ref. No.</b>
			995456 FR995456
<b>description</b>	bracket for bulb socket		

## ballasts


			
1			
<b>Part No.</b>	401633	<b>Ref. No.</b>	995338 FR995338
<b>description</b>	electrical ballast 36W for fluorescent lamps		

## fridge lamps

			
1			
<b>Part No.</b>	359595	<b>Ref. No.</b>	995412 FR995412
<b>description</b>	light bulb socket E14 15W 230-240V ø 25mm L 56mm lens L 30mm Qty 1 pcs		


## producer-specific fridge lamps



## FRIULINOX

			
1			
<b>Part No.</b>	359442	<b>Ref. No.</b>	995456 FR995456
<b>description</b>	bracket for bulb socket		







 <p>1</p>			
<b>Part No.</b>	359444	<b>Ref. No.</b>	935357 BN164201 FR935357
<b>description</b>	lamp glass		

 <p>1</p>				
<b>Part No.</b>	359443	<b>Ref. No.</b>	995413 FR6690951 FR995413	
<b>description</b>	lamp socket socket E14 cable length 2000mm			
<b>accessories for</b>	359443			
	<b>Part No.</b>	359595	<b>Ref. No.</b>	995412 FR995412
	light bulb socket E14 15W 230-240V ø 25mm L 56mm lens L 30mm Qty 1 pcs			


## timers


### programme timers

 <p>1</p>				
<b>Part No.</b>	360388	<b>Ref. No.</b>	995393 FR995393	
<b>description</b>	timer FIBER P25 engines 1 chambers 2 operation time 7.2h 230V shaft ø 6x4.6mm shaft L 14mm manuf. no. P255J02R0V2 motor type M51BJ0L6400 for blast chiller operation time 7.2h			
<b>spare parts for</b>	360388			
	<b>Part No.</b>	360674	<b>Ref. No.</b>	—
	motor kit pinion ø 6.8mm teeth 15 230V voltage AC 50/60Hz turn direction counterclockwise motor ø 48mm H 18.5mm motor type UDS40NE1RNZ165 cable length 150mm with holder			

## defrost timers

### BIGATTI


 <p>1</p>			
<b>Part No.</b>	360182	<b>Ref. No.</b>	995266 FR6640110 FR995266
<b>description</b>	defrost timer BIGATTI type SB1.72 defrosting interval 2x per 24h defrosting time 6-180min fan delaymin 230V		

 <p>1</p>			
<b>Part No.</b>	360058	<b>Ref. No.</b>	995339
<b>description</b>	defrost timer type SB3.82 defrosting interval 1-12x in 24h defrosting time 2-54min fan delay 0-15min 230V defr. funct. 1-12x per 24h		

## relays

### power relays

#### with bracket mounting

 <p>1</p>			
<b>Part No.</b>	380626	<b>Ref. No.</b>	995399 FR995399
<b>description</b>	power relays FINDER 230VAC 10A 2CO connection male faston 4.8mm bracket mounting manuf. no. 62.62.8.230.0000		





with special fixing



1

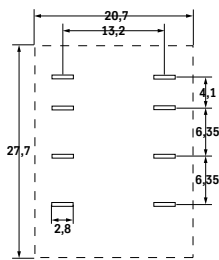
<b>Part No.</b>	381417	<b>Ref. No.</b>	995345 FR6630900 FR995345
<b>description</b>	power relays OMRON 230VAC 30A 1NO connection F6.3 manuf. no. 15X5H1		





with male contacts

female contact 2.0mm



1



<b>Part No.</b>	380377	<b>Ref. No.</b>	6638380 995570 FR6638380 FR995570 FR995940
<b>description</b>	power relays FINDER 220-240VAC 10A 2CO connection F2 plug-in connection manuf. no. 55.32.8.230.0000 94.92.3 250V		
<b>accessories for</b>	380377		
	<b>Part No.</b>	380341	<b>Ref. No.</b> —
	relay socket 4-pole contacts 12 300V voltage AC 6A Italiana Relè manuf. no. ZMD4		
	<b>Part No.</b>	380378	<b>Ref. No.</b> —
	relay socket 2-pole 55/85 dimensions 70.5x30x27mm 250V voltage AC 10A FINDER manuf. no. 94.72		
	<b>Part No.</b>	380384	<b>Ref. No.</b> —
	relay socket 2-pole contacts male faston 2.8mm 250V voltage AC 10A W 23mm for		
	<b>Part No.</b>	380399	<b>Ref. No.</b> —
	relay socket 4-pole dimensions 76.2x27x86.1mm 250V voltage AC 1A FINDER manuf. no. 94.94.3		

## transformers

## encapsulated transformers

PMA



1

<b>Part No.</b>	379054	<b>Ref. No.</b>	995252
<b>description</b>	transformer primary 230VAC secondary 12VAC 3VA secondary 0.25A H 40mm L 45mm W 50mm connection screw 50/60Hz type 153/M		

## electronic controllers




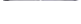
## ELIWELL

universal controllers

built-in version



1

<b>Part No.</b>	379559	<b>Ref. No.</b>	995237 FR995237
<b>description</b>	electronic controller ELIWELL type IC901 mounting measurements 71x29mm 12V voltage AC/DC NTC/PTC relay outputs 1 relay refrigeration front measurements 74x32mm built-in depth 60mm protection IP65 accuracy superior to 0.5% from final value% defr. funct. no -55 up to +150°C display 2½ digit Templn1 yes 15A		
<b>accessories for</b>	379559		
	<b>Part No.</b>	379053	<b>Ref. No.</b> —
	temperature probe PTC 1kOhm cable PVC probe -50 up to +150°C cable -10 up to 100°C probe ø6x30mm cable length 3m without screw connection 2-wire		
	<b>Part No.</b>	379064	<b>Ref. No.</b> 995500 995562 FR995500
	temperature probe PTC 1kOhm cable silicone probe -50 up to +150°C cable -50 up to +180°C probe ø6x40mm cable length 3m without screw connection 2-wire		
	<b>Part No.</b>	379161	<b>Ref. No.</b> 926057 FR926057
	temperature probe NTC 10kOhm cable thermoplastic probe -40 up to +110°C cable -40 up to +110°C probe ø6x14mm cable length 3m without screw connection 2-wire		
	<b>Part No.</b>	379782	<b>Ref. No.</b> —
	temperature probe PTC 1kOhm cable thermoplastic probe -50 up to +150°C cable -40 up to +110°C probe ø6x14mm cable length 3m 2-wire resistor 1kOhm		



refrigeration controllers

built-in version

1

<b>Part No.</b>	378080	<b>Ref. No.</b>	996027 FR996027
-----------------	--------	-----------------	--------------------

**description** electronic controller ELIWELL type EWDB231 mounting measurements 58x25.5mm 12V NTC



1

<b>Part No.</b>	378038	<b>Ref. No.</b>	995474 FR6631211 FR995474
-----------------	--------	-----------------	---------------------------------

**description** electronic controller ELIWELL type EWPC961/AR mounting measurements 71x29mm 12V PTC



1

<b>Part No.</b>	378083	<b>Ref. No.</b>	995707 FR995707
-----------------	--------	-----------------	--------------------

**description** electronic controller ELIWELL type EWPC972 mounting measurements 71x29mm 230V voltage AC relay outputs 2 protection IP65 -55 up to +140°C



1

<b>Part No.</b>	378082	<b>Ref. No.</b>	995702 FR995702
-----------------	--------	-----------------	--------------------

**description** electronic controller ELIWELL type EWPC974 mounting measurements 71x29mm 12V voltage AC/DC NTC/PTC relay outputs 3 front measurements 33x75mm protection IP65 -50 up to +150°C



1

<b>Part No.</b>	378085	<b>Ref. No.</b>	995704 FR995704
-----------------	--------	-----------------	--------------------

**description** electronic controller ELIWELL type EWPC974 mounting measurements 71x29mm 12V voltage AC/DC PTC front measurements 33x75mm protection IP65 -50 up to +150°C



1

<b>Part No.</b>	378086	<b>Ref. No.</b>	995705 FR995705
-----------------	--------	-----------------	--------------------

**description** electronic controller ELIWELL type EWPC974 mounting measurements 71x29mm 12V voltage AC/DC PTC relay outputs 1 -50 up to +150°C



1

<b>Part No.</b>	378087	<b>Ref. No.</b>	995709 FR995709
-----------------	--------	-----------------	--------------------

**description** electronic controller ELIWELL type EWPC974 mounting measurements 71x29mm 12V voltage AC/DC PTC relay outputs 1 front measurements 33x75mm protection IP65 -50 up to +150°C



1

<b>Part No.</b>	378088	<b>Ref. No.</b>	995710 FR995710
-----------------	--------	-----------------	--------------------

**description** electronic controller ELIWELL type EWPC974 mounting measurements 71x29mm 12V voltage AC/DC PTC relay outputs 1 front measurements 33x75mm protection IP65 -50 up to +150°C












1

<b>Part No.</b>	378089	<b>Ref. No.</b>	996194 FR6633920 FR996194
<b>description</b>	electronic controller ELIWELL type ID961 mounting measurements 71x29mm 230V voltage AC NTC/PTC relay outputs 1 front measurements 33x75mm protection IP65 -55 up to +99°C display 3½ digits		











1

<b>Part No.</b>	378091	<b>Ref. No.</b>	996197 996199 996278 FR996197 FR996199 FR996278
<b>description</b>	electronic controller ELIWELL type ID974 mounting measurements 71x29mm 230V voltage AC NTC (PTC selectable via parameter) relay outputs 3 relays front measurements 74x32mm built-in depth 60mm mode of operation NTC protection IP65 -50 to +140°C display 3½ digits sensor 1 NTC/PTC		
<b>accessories for</b>	378091		
	<b>Part No.</b>	378194	<b>Ref. No.</b> —
	temperature probe NTC 10kOhm cable PVC probe -20 up to +80°C cable -10 up to 100°C probe ø7x24.5mm cable length 1.5m without screw connection 2-wire		
	<b>Part No.</b>	379052	<b>Ref. No.</b> 995452 995453 FR995452 FR995453
	temperature probe PTC 1kOhm cable silicone probe -50 up to +150°C cable -50 up to +180°C probe ø6x40mm cable length 1.5m without screw connection 2-wire		
	<b>Part No.</b>	379053	<b>Ref. No.</b> —
	temperature probe PTC 1kOhm cable PVC probe -50 up to +150°C cable -10 up to 100°C probe ø6x30mm cable length 3m without screw connection 2-wire		
	<b>Part No.</b>	379057	<b>Ref. No.</b> —
	temperature probe NTC 10kOhm cable PVC probe -20 up to +80°C cable -10 up to 100°C probe ø6x25mm cable length 3m 2-wire		
	<b>Part No.</b>	379064	<b>Ref. No.</b> 995500 995562 FR995500
	temperature probe PTC 1kOhm cable silicone probe -50 up to +150°C cable -50 up to +180°C probe ø6x40mm cable length 3m without screw connection 2-wire		
	<b>Part No.</b>	379160	<b>Ref. No.</b> —
	temperature probe NTC 10kOhm cable thermoplastic probe -40 up to +110°C cable -40 up to +110°C probe ø6x14mm cable length 1.5m without screw connection 2-wire		
	<b>Part No.</b>	379161	<b>Ref. No.</b> 926057 FR926057
	temperature probe NTC 10kOhm cable thermoplastic probe -40 up to +110°C cable -40 up to +110°C probe ø6x14mm cable length 3m without screw connection 2-wire		


<b>accessories for</b>	378091		
	<b>Part No.</b>	379343	<b>Ref. No.</b> —
	temperature probe NTC 10kOhm cable silicone probe -40 up to +110°C cable -50 up to +180°C probe ø6x40mm cable length 3m 2-wire		
	<b>Part No.</b>	379458	<b>Ref. No.</b> —
	temperature probe NTC 10kOhm cable silicone probe -40 up to +110°C cable -50 up to +180°C probe ø6x40mm cable length 1.5m without screw connection 2-wire		





1

<b>Part No.</b>	378094	<b>Ref. No.</b>	996201 FR996201
<b>description</b>	electronic controller ELIWELL type ID974 mounting measurements 71x29mm 230V voltage AC NTC/PTC -50 up to +150°C display 3½ digits		
<b>accessories for</b>	378094		
	<b>Part No.</b>	379052	<b>Ref. No.</b> 995452 995453 FR995452 FR995453
	temperature probe PTC 1kOhm cable silicone probe -50 up to +150°C cable -50 up to +180°C probe ø6x40mm cable length 1.5m without screw connection 2-wire		
	<b>Part No.</b>	379053	<b>Ref. No.</b> —
	temperature probe PTC 1kOhm cable PVC probe -50 up to +150°C cable -10 up to 100°C probe ø6x30mm cable length 3m without screw connection 2-wire		
	<b>Part No.</b>	379057	<b>Ref. No.</b> —
	temperature probe NTC 10kOhm cable PVC probe -20 up to +80°C cable -10 up to 100°C probe ø6x25mm cable length 3m 2-wire		
	<b>Part No.</b>	379343	<b>Ref. No.</b> —
	temperature probe NTC 10kOhm cable silicone probe -40 up to +110°C cable -50 up to +180°C probe ø6x40mm cable length 3m 2-wire		
	<b>Part No.</b>	379458	<b>Ref. No.</b> —
	temperature probe NTC 10kOhm cable silicone probe -40 up to +110°C cable -50 up to +180°C probe ø6x40mm cable length 1.5m without screw connection 2-wire		
	<b>Part No.</b>	379781	<b>Ref. No.</b> —
	temperature probe PTC 1kOhm cable thermoplastic probe -50 up to +150°C cable -40 up to +110°C probe ø6x14mm cable length 1.5m without screw connection 2-wire		
	<b>Part No.</b>	550790	<b>Ref. No.</b> —
	PCB terminal block 2-pole raster size 3.81mm		
	<b>Part No.</b>	550805	<b>Ref. No.</b> —
	PCB terminal block 7-pole raster size 5mm		



 <p>1</p>			
<b>Part No.</b>	378033	<b>Ref. No.</b>	996196 FR996196
<b>description</b>	electronic controller ELIWELL type ID974 mounting measurements 71x29mm 230V voltage AC NTC/PTC relay outputs 2 front measurements 33x75mm protection IP65 -50 up to +150°C display 3½ digits		

 <p>1</p>			
<b>Part No.</b>	378048	<b>Ref. No.</b>	996200 FR996200
<b>description</b>	electronic controller ELIWELL type ID974 mounting measurements 71x29mm 230V voltage AC NTC/PTC relay outputs 2 front measurements 33x75mm protection IP65 -50 up to +150°C display 3½ digits sensor 1 NTC/PTC		


 <p>1</p>			
<b>Part No.</b>	378133	<b>Ref. No.</b>	996277 FR996277
<b>description</b>	electronic controller ELIWELL type ID974 mounting measurements 71x29mm 230V voltage AC NTC/PTC relay outputs 3 front measurements 33x75mm -50 up to +150°C display 3½ digits		
<b>accessories for</b>	378133		
	<b>Part No.</b>	378194	<b>Ref. No.</b> —
	temperature probe NTC 10kOhm cable PVC probe -20 up to +80°C cable -10 up to 100°C probe ø7x24.5mm cable length 1.5m without screw connection 2-wire		
	<b>Part No.</b>	379052	<b>Ref. No.</b> 995452 995453 FR995452 FR995453
	temperature probe PTC 1kOhm cable silicone probe -50 up to +150°C cable -50 up to +180°C probe ø6x40mm cable length 1.5m without screw connection 2-wire		
	<b>Part No.</b>	379053	<b>Ref. No.</b> —
	temperature probe PTC 1kOhm cable PVC probe -50 up to +150°C cable -10 up to 100°C probe ø6x30mm cable length 3m without screw connection 2-wire		
	<b>Part No.</b>	379057	<b>Ref. No.</b> —
	temperature probe NTC 10kOhm cable PVC probe -20 up to +80°C cable -10 up to 100°C probe ø6x25mm cable length 3m 2-wire		
	<b>Part No.</b>	379064	<b>Ref. No.</b> 995500 995562 FR995500
	temperature probe PTC 1kOhm cable silicone probe -50 up to +150°C cable -50 up to +180°C probe ø6x40mm cable length 3m without screw connection 2-wire		

<b>accessories for</b>	378133		
	<b>Part No.</b>	379142	<b>Ref. No.</b> —
	temperature probe PTC 1kOhm cable PVC probe -50 up to +150°C cable -10 up to 100°C probe ø6x30mm cable length 1.5m without screw connection 2-wire		
	<b>Part No.</b>	379160	<b>Ref. No.</b> —
	temperature probe NTC 10kOhm cable thermoplastic probe -40 up to +110°C cable -40 up to +110°C probe ø6x14mm cable length 1.5m without screw connection 2-wire		
	<b>Part No.</b>	379161	<b>Ref. No.</b> 926057 FR926057
	temperature probe NTC 10kOhm cable thermoplastic probe -40 up to +110°C cable -40 up to +110°C probe ø6x14mm cable length 3m without screw connection 2-wire		
	<b>Part No.</b>	379343	<b>Ref. No.</b> —
	temperature probe NTC 10kOhm cable silicone probe -40 up to +110°C cable -50 up to +180°C probe ø6x40mm cable length 3m 2-wire		
	<b>Part No.</b>	379458	<b>Ref. No.</b> —
	temperature probe NTC 10kOhm cable silicone probe -40 up to +110°C cable -50 up to +180°C probe ø6x40mm cable length 1.5m without screw connection 2-wire		
	<b>Part No.</b>	379781	<b>Ref. No.</b> —
	temperature probe PTC 1kOhm cable thermoplastic probe -50 up to +150°C cable -40 up to +110°C probe ø6x14mm cable length 1.5m without screw connection 2-wire		
	<b>Part No.</b>	379782	<b>Ref. No.</b> —
	temperature probe PTC 1kOhm cable thermoplastic probe -50 up to +150°C cable -40 up to +110°C probe ø6x14mm cable length 3m 2-wire resistor 1kOhm		

EVCO - EVERY CONTROL

refrigeration controllers

built-in version

 <p>1</p>			
<b>Part No.</b>	378506	<b>Ref. No.</b>	995703 996198 BN32140974 FR995703 FR996198
<b>description</b>	electronic controller EVCO type EVKB23N7PXXSX01 mounting measurements 71x29mm 230V PTC/NTC -40 up to +105°C preprogrammed		





1			
<b>Part No.</b>	379850	<b>Ref. No.</b>	1681118 926156 936092 BN1681118 FR926156 FR936092
<b>description</b>	electronic controller EVERY CONTROL type EVC20S35N7ALX40 mounting measurements 165x45mm 230V voltage AC NTC relay outputs 4 NO-16A(5) NO-8A(4) CO-8A(4) NO-8A(4) NTC NTC DI DI for fridge front measurementsmm built-in depth 56mm protection IP00 yes yes yes -40 up to +99°C display 4 digits		

2			
<b>Part No.</b>	379738	<b>Ref. No.</b>	925644 996193 996275 FR925644 FR996193 FR996275
<b>description</b>	electronic controller EVERY CONTROL type EVKB21N7PCXSX01 mounting measurements 71x29mm 230V voltage AC NTC relay outputs 1 front measurementsmm built-in depth 59mm protection IP65 preprogrammed -40 up to +105°C display 3½ digits 2 RoomTempIN NTC DEF Probe TempIN3 DEF Relay fan relay DigiIN 1 compressor relay CO-16A(5)		
<b>accessories for</b>	379738		
	<b>Part No.</b>	379053	<b>Ref. No.</b> —
	temperature probe PTC 1kOhm cable PVC probe -50 up to +150°C cable -10 up to 100°C probe ø6x30mm cable length 3m without screw connection 2-wire		
	<b>Part No.</b>	379064	<b>Ref. No.</b> 995500 995562 FR995500
	temperature probe PTC 1kOhm cable silicone probe -50 up to +150°C cable -50 up to +180°C probe ø6x40mm cable length 3m without screw connection 2-wire		
	<b>Part No.</b>	379161	<b>Ref. No.</b> 926057 FR926057
	temperature probe NTC 10kOhm cable thermoplastic probe -40 up to +110°C cable -40 up to +110°C probe ø6x14mm cable length 3m without screw connection 2-wire		
	<b>Part No.</b>	379782	<b>Ref. No.</b> —
	temperature probe PTC 1kOhm cable thermoplastic probe -50 up to +150°C cable -40 up to +110°C probe ø6x14mm cable length 3m 2-wire resistor 1kOhm		
	<b>Part No.</b>	550801	<b>Ref. No.</b> —
	PCB terminal block 3-pole raster size 5mm		
	<b>Part No.</b>	550803	<b>Ref. No.</b> —
	PCB terminal block 5-pole raster size 5mm		

for blast chiller			
1			
<b>Part No.</b>	378484	<b>Ref. No.</b>	FR6635860 FR995036
<b>description</b>	electronic controller EVCO type EVK802P7 mounting measurements 71x29mm 230V voltage AC NTC/PTC relay outputs 2 NO-8A(4) CO-8A(4) NTC/PTC DI for blast freezer built-in depth 59mm protection IP65 -40 up to +105°C display 3½ digits with additional input for core temperature probe		

SHANGFANG

accessories			
1			
<b>Part No.</b>	379054	<b>Ref. No.</b>	995252
<b>description</b>	transformer primary 230VAC secondary 12VAC 3VA secondary 0.25A H 40mm L 45mm W 50mm connection screw 50/60Hz type 153/M		

miscellaneous

refrigeration controllers			
1			
<b>Part No.</b>	378411	<b>Ref. No.</b>	996595 FR996380 FR996595
<b>description</b>	power PCB EVCO type EVC80P16P7FRL01 mounting measurements 170x120mm		



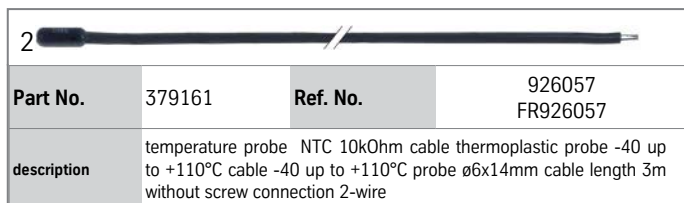
probes

universal probes

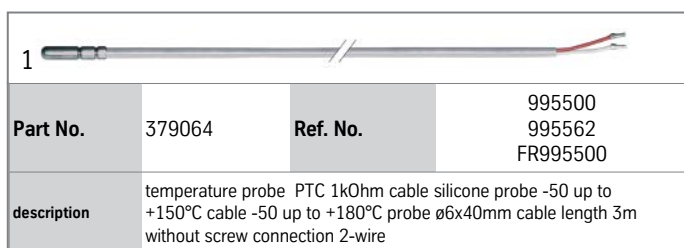
temperature probes



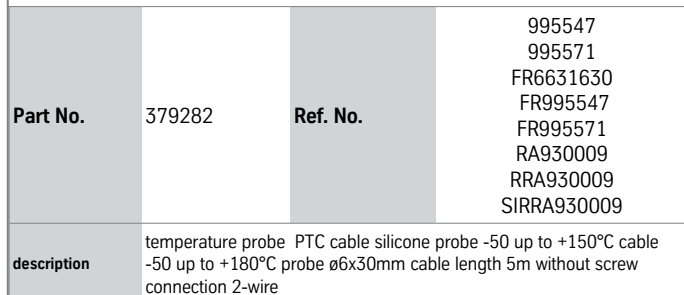
<b>Part No.</b>	378036	<b>Ref. No.</b>	6634600 935886 995790 995793 FR6634600 FR935886 FR995790 FR995793
<b>description</b>	temperature probe NTC 10kOhm cable thermoplastic probe -40 up to +110°C cable -40 up to +110°C probe ø6x14mm cable length 3m without screw connection 2-wire		



<b>Part No.</b>	379161	<b>Ref. No.</b>	926057 FR926057
<b>description</b>	temperature probe NTC 10kOhm cable thermoplastic probe -40 up to +110°C cable -40 up to +110°C probe ø6x14mm cable length 3m without screw connection 2-wire		



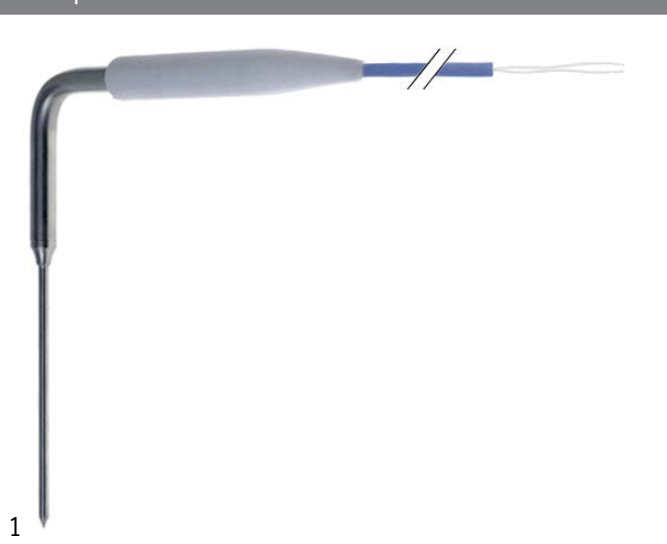
<b>Part No.</b>	379052	<b>Ref. No.</b>	995452 995453 FR995452 FR995453
<b>description</b>	temperature probe PTC 1kOhm cable silicone probe -50 up to +150°C cable -50 up to +180°C probe ø6x40mm cable length 1.5m without screw connection 2-wire		



<b>Part No.</b>	379064	<b>Ref. No.</b>	995500 995562 FR995500
<b>description</b>	temperature probe PTC 1kOhm cable silicone probe -50 up to +150°C cable -50 up to +180°C probe ø6x40mm cable length 3m without screw connection 2-wire		

<b>Part No.</b>	379282	<b>Ref. No.</b>	995547 995571 FR6631630 FR995547 FR995571 RA930009 RRA930009 SIRRA930009
<b>description</b>	temperature probe PTC cable silicone probe -50 up to +150°C cable -50 up to +180°C probe ø6x30mm cable length 5m without screw connection 2-wire		

core probes



<b>Part No.</b>	378392	<b>Ref. No.</b>	6638200 996424 996452 FR6638200 FR6638211 FR996424 FR996452
<b>description</b>	core temperature probe Pt1000 universal angled probe -40 up to +120°C cable -10 up to 100°C cable PVC probe ø4x100mm cable length 5m 2-wire resistance at 0°C 10000hm for blast chiller		

producer-specific probes

probes



<b>Part No.</b>	378035	<b>Ref. No.</b>	995789 995792 FR995789 FR995792
<b>description</b>	temperature probe NTC 10kOhm cable TPE probe -40 up to +110°C cable -40 up to +110°C connection coded plug thread probe ø6x-14mm cable length 1.5m		





core probes



1			
<b>Part No.</b>	378679	<b>Ref. No.</b>	6638220 FR6638220
<b>description</b>	core temperature probe Pt1000 connection 8-wire probe ø4x100mm cable length 5m handle ø 16mm handle length 110mm		



1			
<b>Part No.</b>	401756	<b>Ref. No.</b>	996070 FR996070
<b>description</b>	core temperature probe PTC 1kOhm cable silicone probe -40 up to +120°C cable -50 up to +180°C connection 2-wire probe ø4.5x100mm thread cable length 4.5m handle ø 10mm handle length 120mm L1 150mm L2 50mm		



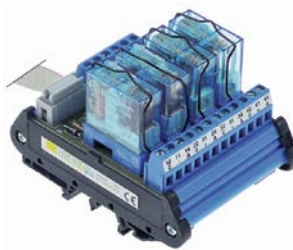
1			
<b>Part No.</b>	401761	<b>Ref. No.</b>	995858 995972 FR995858 FR995972
<b>description</b>	PCB cable length 850mm „Master“ board		



1			
<b>Part No.</b>	401757	<b>Ref. No.</b>	995857 FR6632510 FR995857
<b>description</b>	power PCB blast freezer ESP2000 suitable for FRIULINOX		



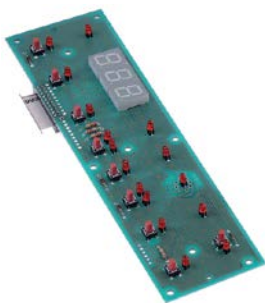
1			
<b>Part No.</b>	401758	<b>Ref. No.</b>	6632410 965101 FR6632410 FR965101
<b>description</b>	power PCB blast freezer ESP2000 suitable for FRIULINOX		



1			
<b>Part No.</b>	403199	<b>Ref. No.</b>	990229 FR990229
<b>description</b>	relay PCB refrigerator AL-EN1+AL-EN2 L 93mm W 67mm		

electronics

PCBs




1			
<b>Part No.</b>	401763	<b>Ref. No.</b>	6632420 965102 FR6632420 FR965102
<b>description</b>	keypad PCB blast chiller FRIULINOX with cable		

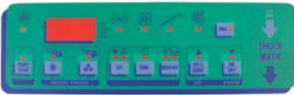


## keypads

### front foils

1 


<b>Part No.</b>	401760	<b>Ref. No.</b>	965009 FR965009
<b>description</b>	keypad foil blast chiller L 243mm W 74mm		

1 


<b>Part No.</b>	401759	<b>Ref. No.</b>	965008 FR965008
<b>description</b>	keypad foil for blast freezer L 243mm W 750mm		

1 


<b>Part No.</b>	401813	<b>Ref. No.</b>	965165 FR965165
<b>description</b>	keypad foil grey L 240mm W 80mm		

1 

<b>Part No.</b>	401766	<b>Ref. No.</b>	965106 FR965106
<b>description</b>	keypad foil L 210mm W 70mm		

1 

<b>Part No.</b>	401765	<b>Ref. No.</b>	995982 FR995982
<b>description</b>	keypad foil L 300mm W 125mm		

1 

<b>Part No.</b>	401814	<b>Ref. No.</b>	965166
<b>description</b>	keypad foil yellow L 240mm W 80mm		

## solenoïd valves

### solenoïd valves (refrigeration)

#### CASTEL

##### valves

1 

<b>Part No.</b>	370466	<b>Ref. No.</b>	995336 FR995336
<b>description</b>	solenoid valve NC CASTEL 230V p max 32bar connection 6mm soldering connection -35 up to +105°C refrigeration ø 1/4"mm		

#### SANHUA

##### valves


1 


<b>Part No.</b>	370757	<b>Ref. No.</b>	995508 FR995508
<b>description</b>	solenoid valve type MDF-A03-6H001 230VAC p max 45bar pressure range 2 up to 31bar connection 10mm soldering connection -30 up to +105°C SANHUA refrigeration tube ø 10mm L 111mm		

##### valve bodies


1 

<b>Part No.</b>	370823	<b>Ref. No.</b>	N/A
<b>description</b>	solenoid valve body MDF3 type MDF-A03-3H005 p max 31bar connection 6mm ODF -30 up to +105°C L 102mm refrigeration SANHUA coolant R22/R134a/R404A/R407C/R410A/R507		


<b>accessories for</b>	370823			
	<b>Part No.</b>	370825	<b>Ref. No.</b>	N/A
solenoid coil 220/240VAC 12/10VA seat ø 25.4mm coil type MQA0322G-000001				


1

<b>Part No.</b>	370824	<b>Ref. No.</b>	N/A	
<b>description</b>	solenoid valve body MDF6 type MDF-A03-6H005 p max 31bar connection 8mm ODF -30 up to +105°C L 111mm refrigeration SANHUA coolant R22/R134a/R404A/R407C/R410A/R507			
<b>accessories for</b>	370824			
	<b>Part No.</b>	370825	<b>Ref. No.</b>	N/A
<b>description</b>	solenoid coil 220/240VAC 12/10VA seat ø 25.4mm coil type MQA0322G-000001			

spare parts and accessories



1


<b>Part No.</b>	370825	<b>Ref. No.</b>	N/A	
<b>description</b>	solenoid coil 220/240VAC 12/10VA seat ø 25.4mm coil type MQA0322G-000001			
<b>accessories for</b>	370825			
	<b>Part No.</b>	370824	<b>Ref. No.</b>	N/A
<b>description</b>	solenoid valve body MDF6 type MDF-A03-6H005 p max 31bar connection 8mm ODF -30 up to +105°C L 111mm refrigeration SANHUA coolant R22/R134a/R404A/R407C/R410A/R507			

## pressure switches

for refrigeration

RANCO

O16 series



1

<b>Part No.</b>	541123	<b>Ref. No.</b>	995240 FR995240
<b>description</b>	pressure control RANCO type O16-H6750 pressure connection vertical HD refrigeration reset automatic switching diff. 2.5-8bar pressure range 7-30bar connection 7/16" UNF (1/4" SAE)		

## compressors

ACC/ZEL

R134A

LBP monophase

Lower evaporation temperature below -20°C



1

<b>Part No.</b>	605062	<b>Ref. No.</b>	925645
<b>description</b>	compressor coolant R134a type GL80AA 220-240V 50Hz LBP fully hermetic 9kg 1/5HP cylinder capacity 7.39cm³ RSIR H 175mm 102W 144W 196W 256W 326W test method ASHRAE ambient temperature max. 43°C		

HMBP monophase

High/Medium evaporation temperature above -20/-15 °C



1

<b>Part No.</b>	605010	<b>Ref. No.</b>	995784 BN141565100050
<b>description</b>	compressor coolant R134a type GP12TB 220-240V 50Hz HMBP fully hermetic 11.2kg 3/8HP power input 661W cylinder capacity 12cm³ CSIR H 203.6mmW 143W 194W 259W 339W 432W 539W 661W 796W test method ASHRAE ambient temperature max. 43°C		



CUBIGEL

R134A

LBP monophase

Lower evaporation temperature below -20°C



1

<b>Part No.</b>	605197	<b>Ref. No.</b>	FR6682400
<b>description</b>	compressor coolant R134a type GL60AA 220-240V 50Hz LBP 9.1kg 1/6HP power input 126W cylinder capacity 5.99cm <sup>3</sup> RSIR H 175mm 98W 135W 178W 227W 283W test method ASHRAE ambient temperature max. 43°C		

R404a/R507

LBP monophase

Lower evaporation temperature below -20°C



1

<b>Part No.</b>	605075	<b>Ref. No.</b>	BN141565100195 FR996883
<b>description</b>	compressor coolant R404a/R507a type MX21FB_A 220-240V 50Hz LBP 16.5kg 3/4HP cylinder capacity 20.72cm <sup>3</sup> CSR H 220mm 575W 655W 742W 836W 938W test method ASHRAE		

EMBRACO / ASPERA

R134A

LBP monophase

Lower evaporation temperature below -20°C



1

<b>Part No.</b>	605061	<b>Ref. No.</b>	995490 BN141565100024 FR995490
<b>description</b>	compressor coolant R134a type EMT49HLP 220-240V 50Hz LBP 7.71kg 1/6HP power input 125W cylinder capacity 5.56cm <sup>3</sup> RSIR H 166mm 98W 131W 170W 217W 274W 342W test method ASHRAE		

HBP monophase

High evaporation temperature above -15°C



1

<b>Part No.</b>	605135	<b>Ref. No.</b>	995742 FR995742
<b>description</b>	compressor coolant R134a type EMT6170Z 220-240V 50Hz HBP fully hermetic 8.1kg 1/6HP cylinder capacity 7.69cm <sup>3</sup> CSIR H 166mm WWW 281W 358W 448W 550W 663W 982W		



1

<b>Part No.</b>	605175	<b>Ref. No.</b>	996135
<b>description</b>	compressor coolant R134a type NJ6226Z 220-240V 50Hz HBP 19.8kg 1 1/4HP cylinder capacity 34.37cm <sup>3</sup> CSR H 253mm WWW 1144W 1497W 1892W 2340W 2852W 3438W		





R22

HBP monophase

High evaporation temperature above -15°C

embraco



1

<b>Part No.</b>	605066	<b>Ref. No.</b>	995503
<b>description</b>	compressor type L40TN coolant R22 220/240V 50/60Hz HBP 9.5kg 1/6HP cylinder capacity 4.04cm <sup>3</sup> CSIR H 191mmWW 113W 150W 195W 248W 309W 380W 458W 545WW		

R290A

LBP monophase

Lower evaporation temperature below -20°C

R290



1

<b>Part No.</b>	605204	<b>Ref. No.</b>	BN14156511060
<b>description</b>	compressor coolant R290 type NEK2160U 220-240V 50Hz LBP 11.9kg 3/4HP cylinder capacity 16.8cm <sup>3</sup> CSR H 206mm 508W 646W 808W 995W 1206WWWWWW test method ASHRAE		

R290



1

<b>Part No.</b>	605202	<b>Ref. No.</b>	BN14156511065
<b>description</b>	compressor coolant R290 type NT2170U 220-240V 50Hz LBP 17kg 3/4HP cylinder capacity 20.44cm <sup>3</sup> CSR H 220mm 544W 698W 883W 1097W 1340WWWWWW test method ASHRAE		

MBP monophase

Medium evaporation temperature above -20°C

R290



1

<b>Part No.</b>	605200	<b>Ref. No.</b>	BN14156511070
<b>description</b>	compressor coolant R290 type EMT6144U 220-240V 50Hz MBP 7.8kg 1/6HP cylinder capacity 4.5cm <sup>3</sup> CSIR H 166mmWW 228W 280W 342W 416W 502W 598W 705W test method EN 12900		

R404a/R507

LBP monophase

Lower evaporation temperature below -20°C



1

<b>Part No.</b>	605144	<b>Ref. No.</b>	995745 FR6683120 FR995745
<b>description</b>	compressor coolant R404a/R507 type NEK2168GK 220-240V 50Hz LBP 22.9kg 3/4HP cylinder capacity 14.28cm <sup>3</sup> CSR H 200mm 345W 454W 587W 742W 921W 1123WWWWWW		



1

<b>Part No.</b>	605174	<b>Ref. No.</b>	995767 BN141565100200 FR6681010 FR995767
<b>description</b>	compressor coolant R404a/R507 type NJ2192GK 220-240V 50Hz LBP 20.4kg 1 1/4HP cylinder capacity 26.2cm <sup>3</sup> CSR H 265mm 685W 989W 1342W 1745W 2196W 2196WWWWWW		




1

<b>Part No.</b>	605081	<b>Ref. No.</b>	995711 FR995711
<b>description</b>	compressor coolant R404a/R507 type NJ2212GK 220-240V 50Hz LBP fully hermetic 21.5kg 1 1/2HP power input 1150W cylinder capacity 34cm <sup>3</sup> CSR H 277mm 880W 1269W 1738W 2289W 2921W 2921WWWWW test method ASHRAE		



1

<b>Part No.</b>	605078	<b>Ref. No.</b>	995769 FR995769
<b>description</b>	compressor coolant R404a/R507 type NT2180GK 220-240V 50Hz LBP fully hermetic 17.3kg 1HP cylinder capacity 20.44cm <sup>3</sup> CSIR H 221mm 515W 598W 682W 769W 859W 956WWWWW test method ASHRAE		

HMBP monophase


High/Medium evaporation temperature above -20/-15 °C



1

<b>Part No.</b>	605030	<b>Ref. No.</b>	995925 FR995925
<b>description</b>	compressor coolant R404a/R507 type NJ9226GK 220-240V 50Hz HMBP fully hermetic 20.8kg 1HP cylinder capacity 21.7cm <sup>3</sup> CSR H 265mmW 1363W 1764W 2249W 2819W 3472W 4210W 5032W test method ASHRAE		

accessories



1

<b>Part No.</b>	380074	<b>Ref. No.</b>	995139 FR6632040 FR995139
<b>description</b>	start relay 230V suitable for compressor		

L'UNITE HERMETIQUE / TECUMSEH

R134A

HMBP monophase

High/Medium evaporation temperature above -20/-15 °C



1

<b>Part No.</b>	605137	<b>Ref. No.</b>	995783
<b>description</b>	compressor coolant R134a type AEZ4430Y 220-240V 50Hz HMBP fully hermetic 10.2kg 1/4HP power input 330W cylinder capacity 8.8cm <sup>3</sup> CSIR H 199mmWW 245W 328W 432W 558W 698WW		





## SECOP DANFOSS


R134A

LBP monophase

Lower evaporation temperature below -20°C



1

<b>Part No.</b>	605052	<b>Ref. No.</b>	995422 FR995422
<b>description</b>	compressor coolant R134a type TL5G 220-240V 50Hz LBP/HBP fully hermetic 7.5kg 1/6HP cylinder capacity 5.08cm <sup>3</sup> RSIR/CSIR H 173mm 69W 97W 132W 172W 220W 277W 345W 423W 461W test method ASHRAE		
<b>spare parts for</b>	605052		
	<b>Part No.</b>	380076	<b>Ref. No.</b> 996016 FR996016
start relay DANFOSS 117U6000 HST			



1


<b>Part No.</b>	605053	<b>Ref. No.</b>	995787 FR995787
<b>description</b>	compressor coolant R134a type TLS6F 220-240V 50Hz LBP fully hermetic 7.3kg power input 125W cylinder capacity 5.7cm <sup>3</sup> RSIR/CSIR H 173mm 95W 128W 172W 226W 290W test method ASHRAE 71W		

## MBP monophase

Medium evaporation temperature above -20°C




1

<b>Part No.</b>	605060	<b>Ref. No.</b>	14156511095 995743 BN14156511095 FR995743
<b>description</b>	compressor coolant R134a type NL10MF 220-240V 50/60Hz MBP fully hermetic 10.5kg 1/3HP cylinder capacity 10.1cm <sup>3</sup> RSIR/CSIR H 203mmWW 293W 382W 487W 611W 758W 930W 1129W test method ASHRAE (50Hz)		
<b>spare parts for</b>	605060		
	<b>Part No.</b>	381530	<b>Ref. No.</b> —
start relay DANFOSS 117U6022 HST			



1

<b>Part No.</b>	605059	<b>Ref. No.</b>	996352 FR996352
<b>description</b>	compressor coolant R134a type NL6.1MF 220-240V 50/60Hz MBP fully hermetic 10.5kg 1/6HP cylinder capacity 6.13cm <sup>3</sup> RSIR/CSIR H 190mmW 156W 209W 271W 345W 432W 533W 650W test method ASHRAE (50Hz) 784W		
<b>spare parts for</b>	605059		
	<b>Part No.</b>	380484	<b>Ref. No.</b> —
start relay DANFOSS 117U6015/F394 HST			



**SECO**




1

<b>Part No.</b>	605063	<b>Ref. No.</b>	995740 996353 BN141552210730 FR995740
<b>description</b>	compressor coolant R134a type NL7.3MF 220-240V 50/60Hz MBP fully hermetic 10.5kg 1/5HP power input 298W cylinder capacity 7.27cm <sup>3</sup> RSIR/CSIR H 197mmWW 198W 261W 336W 425W 530W 652W 794W test method ASHRAE (50Hz)		
<b>spare parts for</b>	605063		
	<b>Part No.</b>	381528	<b>Ref. No.</b> —
	start relay DANFOSS 117U6016 HST		

**HBP monophase**

High evaporation temperature above -15°C




1


<b>Part No.</b>	605052	<b>Ref. No.</b>	995422 FR995422
<b>description</b>	compressor coolant R134a type TL5G 220-240V 50Hz LBP/HBP fully hermetic 7.5kg 1/6HP cylinder capacity 5.08cm <sup>3</sup> RSIR/CSIR H 173mm 69W 97W 132W 172W 220W 277W 345W 423W 461W test method ASHRAE		
<b>spare parts for</b>	605052		
	<b>Part No.</b>	380076	<b>Ref. No.</b> 996016 FR996016
	start relay DANFOSS 117U6000 HST		

**HMBP monophase**

High/Medium evaporation temperature above -20/-15 °C



1

<b>Part No.</b>	605089	<b>Ref. No.</b>	996354 FR996889
<b>description</b>	compressor coolant R134a type NL8.4MF 220-240V 50Hz HMBP fully hermetic 10.5kg 1/4HP cylinder capacity 8.35cm <sup>3</sup> RSIR/CSIR H 197mmW 235W 305W 390W 491W 610W 749W 912W test method ASHRAE		
<b>spare parts for</b>	605089		
	<b>Part No.</b>	381528	<b>Ref. No.</b> —
	start relay DANFOSS 117U6016 HST		



1

<b>Part No.</b>	605077	<b>Ref. No.</b>	995983 FR6681520 FR995983
<b>description</b>	compressor coolant R134a type SC15G 220-240V 50Hz HMBP fully hermetic 13.1kg 3/8HP cylinder capacity 15.3cm <sup>3</sup> CSIR H 203mmW 203W 358W 523W 703W 901W 1124W 1377W 1665W test method ASHRAEW 1993W		
<b>spare parts for</b>	605077		
	<b>Part No.</b>	365062	<b>Ref. No.</b> 996024 FR6633310 FR996024
	starting capacitor 80µF 220/300V 50/60Hz duty cycle 3min/1min ø 38mm L 98mm plastic connection cable 100mm		
	<b>Part No.</b>	380078	<b>Ref. No.</b> 996018 FR996018
	start relay DANFOSS 117U6005 HST		




## R404a/R507

LBP monophase

Lower evaporation temperature below -20°C




1

<b>Part No.</b>	605080	<b>Ref. No.</b>	995875 FR995875
<b>description</b>	compressor coolant R404a/R507 type FR8,5CL HST 220-240V 50Hz LBP fully hermetic 10.6kg 1 1/2HP cylinder capacity 7.95cm <sup>3</sup> CSIR H 196mm 259W 338W 434W 546W 674WWWWWW test method ASHRAE 147W 195W 115W		
<b>spare parts for</b>	605080		
	<b>Part No.</b>	380079	<b>Ref. No.</b> 996019 FR996019
start relay DANFOSS 117U6010 HST			




1

<b>Part No.</b>	605057	<b>Ref. No.</b>	995485 FR6681271 FR995485
<b>description</b>	compressor coolant R404a/R507 type SC12CL 220-240V 50Hz LBP fully hermetic 12.5kg 3/8HP cylinder capacity 12.87cm <sup>3</sup> CSIR H 209mm 410W 568W 754W 971W 1220W 1505WWWWWW test method ASHRAE		
<b>spare parts for</b>	605057		
	<b>Part No.</b>	380078	<b>Ref. No.</b> 996018 FR996018
start relay DANFOSS 117U6005 HST			



1

<b>Part No.</b>	605056	<b>Ref. No.</b>	995746 FR995746
<b>description</b>	compressor coolant R404a/R507 type SC18CLX.2 220-240V 50Hz LBP fully hermetic 13.7kg 5/8HP cylinder capacity 17.69cm <sup>3</sup> CSR H 219mm 562W 691W 881W 1095W 1332W 1593WWWWWW test method ASHRAE		
<b>spare parts for</b>	605056		
	<b>Part No.</b>	381548	<b>Ref. No.</b> —
start relay DANFOSS			



1

<b>Part No.</b>	605082	<b>Ref. No.</b>	995770 FR6681440 FR995770
<b>description</b>	compressor coolant R404a/R507 type SC21CL 220-240V 50Hz LBP fully hermetic 14kg 7/8HP cylinder capacity 20.95cm <sup>3</sup> CSIR H 219mm 719W 947W 1215W 1524W 1876WWWWWW test method ASHRAE 378W 529W 263W		


## accessories





1


<b>Part No.</b>	380076	<b>Ref. No.</b>	996016 FR996016
<b>description</b>	start relay DANFOSS 117U6000 HST		





 <p>1</p>			
<b>Part No.</b>	380077	<b>Ref. No.</b>	996124 FR996124
<b>description</b>	start relay DANFOSS 117U6004/F097 HST		


 <p>1</p>			
<b>Part No.</b>	380078	<b>Ref. No.</b>	996018 FR996018
<b>description</b>	start relay DANFOSS 117U6005 HST		

 <p>1</p>			
<b>Part No.</b>	380079	<b>Ref. No.</b>	996019 FR996019
<b>description</b>	start relay DANFOSS 117U6010 HST		



 <p>1</p>			
<b>Part No.</b>	380059	<b>Ref. No.</b>	996020 FR996020
<b>description</b>	start relay DANFOSS 117U6015/F418 HST		

 <p>1</p>			
<b>Part No.</b>	380058	<b>Ref. No.</b>	996021 FR996021
<b>description</b>	start relay DANFOSS 117U6019/F278 HST		

 <p>1</p>			
<b>Part No.</b>	380073	<b>Ref. No.</b>	996017 FR996017
<b>description</b>	start relay DANFOSS 117U6022		

miscellaneous			
 <p>1</p>			
<b>Part No.</b>	401634	<b>Ref. No.</b>	996025 FR6633320 FR996025
<b>description</b>	switch box type DANFOSS 177-7012		

accessories			
miscellaneous			
 <p>1</p>			
<b>Part No.</b>	401635	<b>Ref. No.</b>	995781 FR995781
<b>description</b>	terminal box 1262108 complete		

fans			
axial fans			
ebm-papst			
 <p>1</p>			
<b>Part No.</b>	601082 <sup>1</sup>	<b>Ref. No.</b>	925649 FR925649
<b>description</b>	axial fan L 92mm W 92mm H 25mm 230VAC 50/60Hz 9/11W bearing ball bearing manuf. no. 3956 metal connection male faston 2.8mm ebm-papst fan wheel ø 85mm temp.-resist. 80°C		
<b>accessories for</b>	601082		
	<b>Part No.</b>	691103	<b>Ref. No.</b> —
	guard ø 90mm mounting distance 83mm for axial fan 92mm		

<sup>1</sup>with ball bearings





**ebmpapst**

1

<b>Part No.</b>	601088 <sup>1</sup>	<b>Ref. No.</b>	996073 FR6671590 FR996073
<b>description</b>	axial fan L 172mm W 150mm H 55mm 230VAC 50/60Hz 39/45W bearing ball bearing connection cable 350mm manuf. no. 7855ES metal ebm-papst fan wheel ø 140mm temp.-resist. 50°C		

<sup>1</sup>with ball bearings

**import**

**ADDA**

1

<b>Part No.</b>	601130 <sup>1</sup>	<b>Ref. No.</b>	915008 FR915008
<b>description</b>	axial fan L 80mm W 80mm H 25mm 230VAC 50/60Hz 13/14W bearing ball bearing connection male faston 2.8mm metal ADDA fan wheel ø 75mm temp.-resist. 70°C airflow 30.6m³/h		
<b>accessories for</b>	601130		
	<b>Part No.</b>	550898	<b>Ref. No.</b> —
	connecting cable cable length 2000mm connection F 2.8 connection distance 7.9mm for axial flow fan		

<sup>1</sup>with ball bearings

1

<b>Part No.</b>	602074	<b>Ref. No.</b>	995910 FR995910
<b>description</b>	axial fan 230 50/60Hz 66/80W connection cable 2400mm blowing fan wheel ø 200mm 2490/2745rpm		
<b>accessories for</b>	602074		
	<b>Part No.</b>	365198	<b>Ref. No.</b> —
	operating capacitor capacity 2µF 450V 50/60Hz ambient temperature max. -25 up to +70°C ø 40mm L 61mm M8 aluminium connection male faston 6.3mm		

refrigeration fans

refrigeration motors universal

ELCO

N series - multi fit

**ELCO**

1

<b>Part No.</b>	601427	<b>Ref. No.</b>	935630 FR6610010 FR935630
<b>description</b>	fan motor ELCO 10W 230V 50/60Hz bearing slide bearing L1 49mm L2 59mm L3 86.5mm W 83mm connection cable 500mm 1300/1550rpm 5 mounting options VNT10-20/028		
<b>spare parts for</b>	601427		
	<b>Part No.</b>	560140	<b>Ref. No.</b> —
	hexagonal nut thread M4 H 4.8mm SS WS 7 Qty 20 pcs DIN/ISO DIN 985 self-locking		
	<b>Part No.</b>	560332	<b>Ref. No.</b> —
	plain washer ID ø 4.3mm ED ø 9mm thickness 0.8mm SS Qty 1 pcs		
	<b>Part No.</b>	560340	<b>Ref. No.</b> —
	hexagonal nut thread M4 H 3.2mm WS 7 SS DIN/ISO DIN 934 / ISO 4032/8673 Qty 1 pcs		
	<b>Part No.</b>	601413	<b>Ref. No.</b> —
	fixing plate suitable for fanwheel ED ø 32mm shaft ø 7 mounting distance 26mm		


**ELCO**

1

<b>Part No.</b>	601430	<b>Ref. No.</b>	925647 FR925647
<b>description</b>	fan motor ELCO 5W 230V 50/60Hz bearing slide bearing L1 48mm L2 52mm L3 79.5mm W 83mm connection cable 500mm 1300/1550rpm 5 mounting options VNT5-13/027		
<b>spare parts for</b>	601430		
	<b>Part No.</b>	560140	<b>Ref. No.</b> —
	hexagonal nut thread M4 H 4.8mm SS WS 7 Qty 20 pcs DIN/ISO DIN 985 self-locking		
	<b>Part No.</b>	560332	<b>Ref. No.</b> —
	plain washer ID ø 4.3mm ED ø 9mm thickness 0.8mm SS Qty 1 pcs		
	<b>Part No.</b>	560340	<b>Ref. No.</b> —
	hexagonal nut thread M4 H 3.2mm WS 7 SS DIN/ISO DIN 934 / ISO 4032/8673 Qty 1 pcs		

Table continues overleaf



spare parts for 601430			
	Part No.	601413	Ref. No. —
fixing plate suitable for fanwheel ED ø 32mm shaft ø 7 mounting distance 26mm			

IMPORT

multi fit fan motors

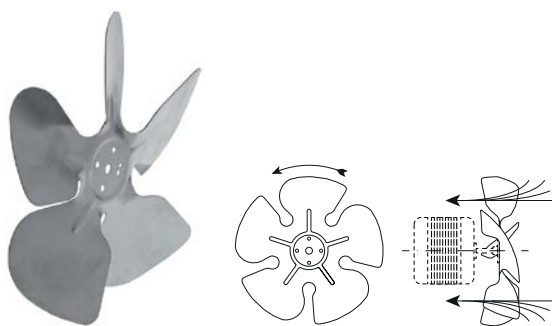


1	Part No.	601023	Ref. No.	FR996919
description fan motor 16W 230V 50-60Hz L1 45mm L2 61mm L3 92mm W 84mm cable length 500mm 1300rpm YZF16-25-18/26 5 mounting options bearing slide bearing				

accessories

fan wheels

aluminium



1	Part No.	601070	Ref. No.	925648 FR925648
description fan wheel sucking ø 200mm fan wheel mounting 25.4mm blade angle 28° W 38mm aluminium				



1	Part No.	601172	Ref. No.	935640 FR935640
description fan wheel sucking ø 230mm fan wheel mounting 25.4mm blade angle 34° W 50mm aluminium				

cooling motors (complete)



1	Part No.	601435	Ref. No.	935647 FR935647
description fan 230V 10W 50/60Hz fan wheel ø 200mm shaft L 25mm L 67mm W 83mm H 83mm blade angle 27° connection cable 3000mm				




1	Part No.	601401	Ref. No.	995277 FR995277
description fan 230V 10W 50/60Hz fan wheel ø 230mm shaft L 10mm feet depth 70mm L 67mm W 83mm H 83mm blade angle 23° connection cable 1600mm				





1	Part No.	601402	Ref. No.	995525 FR995525
description fan 230V 10W 50/60Hz fan wheel ø 230mm shaft L 14mm L 67mm W 83mm H 83mm blade angle 23° connection cable 1000mm				
For models: AF6-20				






			
1			
<b>Part No.</b>	601436	<b>Ref. No.</b>	996158 FR996158
<b>description</b>	fan 230V 10W 50/60Hz fan wheel ø 230mm shaft L 6mm L 67mm W 83mm H 83mm blade angle 27° connection cable 1000mm		

			
1			
<b>Part No.</b>	601403	<b>Ref. No.</b>	995526 FR995526
<b>description</b>	fan 230V 12W 50/60Hz fan wheel ø 254mm shaft L 9mm L 66mm W 83mm H 83mm blade angle 23° connection cable 1000mm		




			
1			
<b>Part No.</b>	601400	<b>Ref. No.</b>	995280 FR6670060 FR995280
<b>description</b>	fan 230V 5W 50/60Hz fan wheel ø 172mm shaft L 20mm feet depth 40mm L 60mm W 83mm H 83mm blade angle 23° connection cable 1600mm		

			
1			
<b>Part No.</b>	601404	<b>Ref. No.</b>	995414 FR6670131 FR995414
<b>description</b>	fan 230V 12W 50/60Hz fan wheel ø 230mm shaft L 10mm L 67mm W 85mm blade angle 31° connection cable 2000mm H 85mm		

## cold air circulating fans (complete)

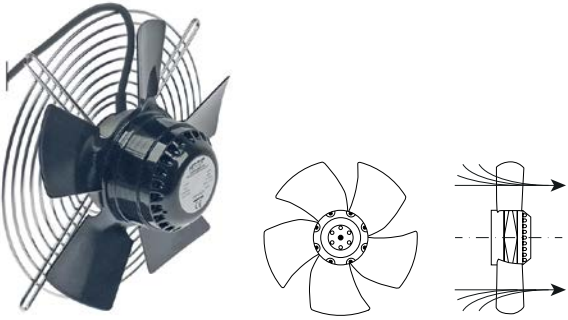
## ebm-papst

## A2E series

			
1			
<b>Part No.</b>	601707	<b>Ref. No.</b>	965321 FR6678380
<b>description</b>	fan A2E300-AC47-02 fan wheel ø 300mm blades 5 230V 50/60Hz 140/190W ø 92mm H 100mm 2900rpm cable length 450mm blowing suitable capacitor 5µF		
<b>accessories for</b>	601707		
	<b>Part No.</b>	365017	<b>Ref. No.</b> —
	operating capacitor capacity 5µF 450V tolerance 5% 50/60Hz ambient temperature max. -25 to +85°C ø 28mm L 54mm M8 plastic connection male faston 6.3mm 16.10.08 protection		
	<b>Part No.</b>	601949	<b>Ref. No.</b> —
	guard ebm-papst for fan wheel ø 300mm ø 330mm hole distance 368mm H 65mm		




HIDRIA



1

<b>Part No.</b>	602073	<b>Ref. No.</b>	965313 FR6678570
<b>description</b>	fan type R09R-2525P-2M-3510 fan wheel ø 250mm 230V 50Hz 95W HIDRIA 2700rpm blowing cable length 2500mm mounting distance 300mm		



1

<b>Part No.</b>	602029	<b>Ref. No.</b>	FR6678370
<b>description</b>	fan type R09R-30SPB-4M-3509 fan wheel ø 300mm 230V 50/60Hz 80W ø 105mm suitable capacitor 2.5µF HIDRIA suitable for blast chiller 1370rpm H 90mm cable length 1800mm mounting distance 255mm		


miscellaneous





1

<b>Part No.</b>	601858	<b>Ref. No.</b>	996074 FR6671580 FR996074	
<b>description</b>	fan 52W REH190X62-1CN fan wheel ø 190mm blades 16 230V 50/60Hz input current 0.39/0.49A H 70mm 2600/2900rpm connection 4-wire cable length 450mm rotation direction right XFAN with capacitor suitable capacitor 2.5µF			
<b>spare parts for</b>	601858			
	<b>Part No.</b>	365170	<b>Ref. No.</b>	996154
	capacitor capacity 2µF 425V tolerance 5% 50/60Hz ambient temperature max. -25 to +85°C ø 25mm L 49mm M8 plastic connection cable 250mm 416.17.74 protection			

cold air circulating fans (other)



1

<b>Part No.</b>	601375	<b>Ref. No.</b>	996156 FR996156	
<b>description</b>	fan motor 230V 50/60Hz 10W W 84mm H 87mm D 95mm shaft L 25mm shaft ø 8mm PLASET type 20182 cable length 1000mm 1350rpm			
<b>accessories for</b>	601375			
	<b>Part No.</b>	601282	<b>Ref. No.</b>	—
	fan wheel sucking ø 200mm fan wheel mounting 25.4mm blade angle 34° W 44mm aluminium			
	<b>Part No.</b>	601570	<b>Ref. No.</b>	—
	fan wheel blowing ø 200mm fan wheel mounting 25.4mm blade angle 28° W 37mm aluminium			

cross flow fans

COPREL

with moulded coils



1

<b>Part No.</b>	601434	<b>Ref. No.</b>	935581 FR6670311 FR935581
<b>description</b>	cross flow fan COPREL FFR roller ø 60mm roller length 300mm laminated core thickness 30mm motor position right 230V/50Hz 43W refrigeration bearing rubber connection cable 1800mm coil type moulded -10 up to +60°C		



1

<b>Part No.</b>	601398	<b>Ref. No.</b>	995634 FR6670210 FR995634
<b>description</b>	cross flow fan COPREL TFL roller ø 60mm roller length 180mm laminated core thickness 20mm motor position left 230V/50Hz 25W refrigeration bearing rubber connection cable 2400mm coil type impregnated -10 up to +60°C		



1

<b>Part No.</b>	601399	<b>Ref. No.</b>	6670250 995773 FR6670250 FR995773
<b>description</b>	cross flow fan COPREL TFL roller ø 60mm roller length 270mm laminated core thickness 35mm motor position left 230V/50Hz 49W refrigeration bearing rubber connection cable 2700mm coil type impregnated -10 up to +60°C		

## condensators & interference suppression filters

### starting capacitors

#### starting capacitors



1

<b>Part No.</b>	365063	<b>Ref. No.</b>	996022 FR996022
<b>description</b>	starting capacitor 220/300V 50Hz DANFOSS duty cycle 1.7/0.10% capacity 60µF for PL/TL		



1

<b>Part No.</b>	365061	<b>Ref. No.</b>	996023 FR996023
<b>description</b>	starting capacitor 220/300V 50Hz DANFOSS duty cycle 1.7/0.10% capacity 80µF for FR/NL		



1

<b>Part No.</b>	365062	<b>Ref. No.</b>	996024 FR6633310 FR996024
<b>description</b>	starting capacitor 80µF 220/300V 50/60Hz duty cycle 3min/1min ø 38mm L 98mm plastic connection cable 100mm		

### operating capacitors

#### plastic



1

<b>Part No.</b>	365170	<b>Ref. No.</b>	996154
<b>description</b>	capacitor capacity 2µF 425V tolerance 5% 50/60Hz ambient temperature max. -25 to +85°C ø 25mm L 49mm M8 plastic connection cable 250mm 416.17.74 protection		



1

<b>Part No.</b>	365009	<b>Ref. No.</b>	995750
<b>description</b>	operating capacitor capacity 2.5µF 400V tolerance 5% 50Hz ambient temperature max. -25 to +85°C ø 36.5mm L 55mm M8 plastic connection male faston 6.3mm 1.27.65C3 protection		

## electronic components

### printer



1

<b>Part No.</b>	401755	<b>Ref. No.</b>	995799 FR995799
<b>description</b>	printer type ALFAP.2-3		

## equipment-specific units

### for blast chiller



1

<b>Part No.</b>	699244	<b>Ref. No.</b>	4710700 965281 FR4710700 FR965281
<b>description</b>	outflow plug ø 19.5mm H 83.5mm		



for refrigerated counters

lid hinges



<b>Part No.</b>	695568	<b>Ref. No.</b>	925453 FR1270681 FR925453
<b>description</b>	bearing for lid mounting pos. left		



<b>Part No.</b>	695567	<b>Ref. No.</b>	925452 FR1270671 FR925452
<b>description</b>	bearing for lid mounting pos. right		

knobs

producer-specific knobs

FRIULINOX



<b>Part No.</b>	111209	<b>Ref. No.</b>	995440 FR995440
<b>description</b>	knob switch zero mark ø 25mm shaft ø 6x4.6mm black		



<b>Part No.</b>	111210	<b>Ref. No.</b>	995496 FR4750360 FR995496
<b>description</b>	knob timer ø 45mm shaft ø 6mm		

handles and hand wheels

bracket handles



<b>Part No.</b>	690448	<b>Ref. No.</b>	935507 FR6440720 FR935507
<b>description</b>	pull handle L 402mm H 42mm mounting distance 375mm		

locks

locking devices

producer-specific

FRIULINOX



<b>Part No.</b>	690825	<b>Ref. No.</b>	935400 FR935400
<b>description</b>	key cylinder with slide latch ø 23mm thread M19x1 mounting measurements 16.5x19mm hub 30-37mm shaft ø 11mm thread L 22mm		



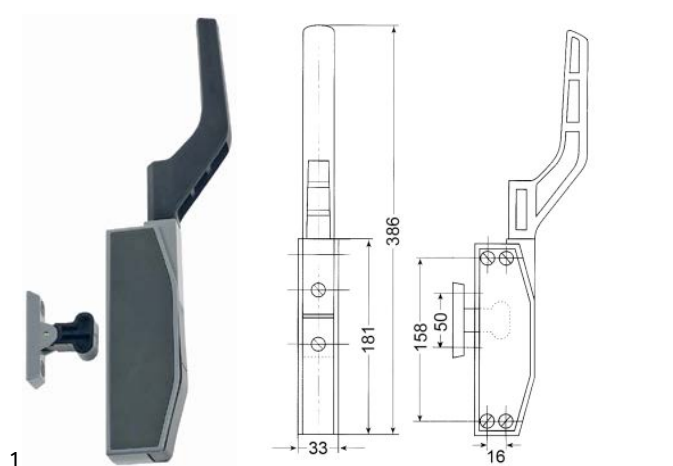
<b>Part No.</b>	690028	<b>Ref. No.</b>	930141 FR930141
<b>description</b>	locking device H 20/12mm L 50mm W 20mm overall height 40mm		



walk-in fridge catches

INTERKLIMAT

1800 series



<b>Part No.</b>	690457	<b>Ref. No.</b>	945028 FR945028
<b>description</b>	handle latch mounting distance 158mm L 181mm refrigeration units external lock type 1825 suitable for 1850		

7000 series

locks

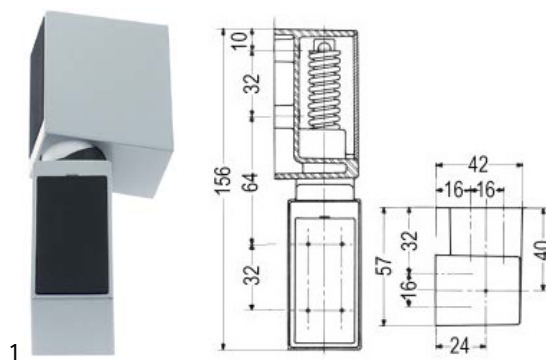


<b>Part No.</b>	694920	<b>Ref. No.</b>	965180 FR965180
<b>description</b>	walk-in fridge catch type 7325 door thickness 70-80mm L 243mm W 167mm H 60mm lockable		

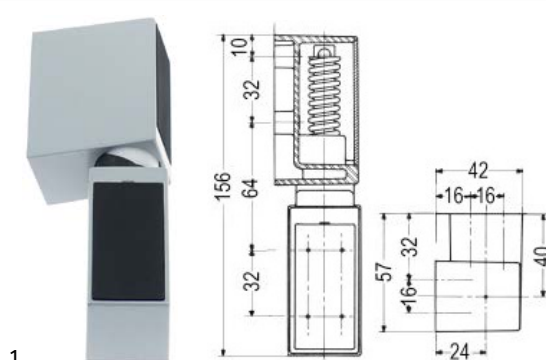
hinges

edgemoount hinges

CAFF/FERMOD



<b>Part No.</b>	692447	<b>Ref. No.</b>	975002 FR975002
<b>description</b>	edgemoount hinge L 156mm mounting distance 64/32mm hinging left with gradient and spring series G 466		



<b>Part No.</b>	690642	<b>Ref. No.</b>	975001 FR975001
<b>description</b>	edgemoount hinge L 156mm mounting distance 64/32mm hinging right with gradient and spring series G 466		

spring assisted hinges

producer-specific

FRIULINOX





<b>Part No.</b>	695566	<b>Ref. No.</b>	925035 FR925035
<b>description</b>	bolt for hinge thread M6		





<b>Part No.</b>	695563	<b>Ref. No.</b>	925274 FR925274
<b>description</b>	bush for hinge Qty 10 pcs		





 <p>1</p>			
<b>Part No.</b>	690577	<b>Ref. No.</b>	935318 FR6410610 FR935318
<b>description</b>	hinge bearing with bolt suitable for FRIULINOX		


 <p>1</p>			
<b>Part No.</b>	701436	<b>Ref. No.</b>	BN14850012 FR935179
<b>description</b>	door hinge L 60mm W 30mm mounting pos. upper bolt 14mm bolt ø 15mm suitable for refrigerator		


 <p>1</p>			
<b>Part No.</b>	695564	<b>Ref. No.</b>	935084 FR935084
<b>description</b>	hinge camp L 44mm W 22mm H 108mm ø 18mm		

 <p>1</p>			
<b>Part No.</b>	695549	<b>Ref. No.</b>	935317 FR935317
<b>description</b>	hinge L 150mm mounting pos. bottom left		


 <p>1</p>			
<b>Part No.</b>	690552	<b>Ref. No.</b>	925273 FR925273
<b>description</b>	spring assisted hinge bottom left/right refrigerated counter suitable for FRIULINOX		
<b>For models:</b>	TR47S, TR75/3SIL		


 <p>1</p>			
<b>Part No.</b>	695546	<b>Ref. No.</b>	935604 FR935604
<b>description</b>	hinge L 165mm mounting pos. bottom left		

 <p>1</p>			
<b>Part No.</b>	701131	<b>Ref. No.</b>	925275 FR925275
<b>description</b>	spring assisted hinge L 99mm W 30mm mounting pos. right		

 <p>1</p>			
<b>Part No.</b>	695547	<b>Ref. No.</b>	935603 FR935603
<b>description</b>	hinge L 165mm mounting pos. bottom right		


door bearing


 <p>1</p>			
<b>Part No.</b>	701437	<b>Ref. No.</b>	996411 FR996411
<b>description</b>	door hinge L 45mm W 35mm mounting pos. upper bolt 14.5mm bolt ø 6mm refrigerator		


 <p>1</p>			
<b>Part No.</b>	695553	<b>Ref. No.</b>	935218 FR6410271 FR935218
<b>description</b>	hinge mounting pos. bottom left		








			
1			
<b>Part No.</b>	695565	<b>Ref. No.</b>	925523 FR925523
<b>description</b>	hinge mounting pos. bottom left		


			
1			
<b>Part No.</b>	695552	<b>Ref. No.</b>	935217 FR6410261 FR935217
<b>description</b>	hinge mounting pos. bottom right		


			
1			
<b>Part No.</b>	695559	<b>Ref. No.</b>	925277 FR925277
<b>description</b>	hinge mounting pos. bottom right		


			
1			
<b>Part No.</b>	695557	<b>Ref. No.</b>	935313 FR6410482 FR935313
<b>description</b>	hinge mounting pos. centre/left		


			
1			
<b>Part No.</b>	695556	<b>Ref. No.</b>	935312 FR935312
<b>description</b>	hinge mounting pos. centre/right		


			
1			
<b>Part No.</b>	695551	<b>Ref. No.</b>	925630 FR925630
<b>description</b>	hinge mounting pos. left/right bottom		

			
1			
<b>Part No.</b>	695569	<b>Ref. No.</b>	925631 FR925631
<b>description</b>	hinge mounting pos. left/right kit		


			
1			
<b>Part No.</b>	695550	<b>Ref. No.</b>	925629 FR925629
<b>description</b>	hinge mounting pos. left/right upper		


			
1			
<b>Part No.</b>	695554	<b>Ref. No.</b>	935216 FR935216
<b>description</b>	hinge mounting pos. upper left		


			
1			
<b>Part No.</b>	695561	<b>Ref. No.</b>	6410541 935315 FR6410541 FR935315
<b>description</b>	hinge mounting pos. upper left		


			
1			
<b>Part No.</b>	695555	<b>Ref. No.</b>	935051 FR6410211 FR935051
<b>description</b>	hinge mounting pos. upper right		





 <p>1</p>			
<b>Part No.</b>	695558	<b>Ref. No.</b>	6410900 925276 FR6410900 FR925276
<b>description</b>	hinge mounting pos. upper right		


 <p>1</p>			
<b>Part No.</b>	695560	<b>Ref. No.</b>	935314 FR6410531 FR935314
<b>description</b>	hinge mounting pos. upper right		

 <p>1</p>			
<b>Part No.</b>	695562	<b>Ref. No.</b>	925272 FR6410880 FR925272
<b>description</b>	hinge mounting pos. upper suitable for FRIULINOX shaft ø 6x9mm		
<b>For models:</b>	TR47S		

 <p>1</p>			
<b>Part No.</b>	690581	<b>Ref. No.</b>	935311 FR935311
<b>description</b>	hinge bearing mounting pos. bottom left with bolt		

 <p>1</p>			
<b>Part No.</b>	690580	<b>Ref. No.</b>	935310 935316 FR6411550 FR935310 FR935316
<b>description</b>	hinge bearing mounting pos. bottom right with bolt		

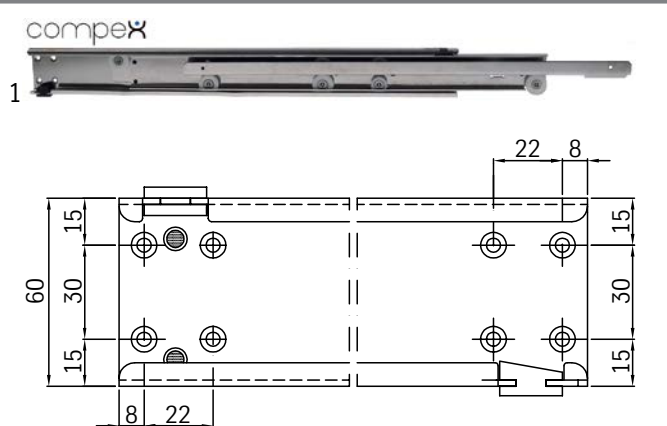
 <p>1</p>			
<b>Part No.</b>	690576	<b>Ref. No.</b>	935309 FR6410461 FR935309
<b>description</b>	hinge bearing mounting pos. upper left with bolt refrigerator		



 <p>1</p>			
<b>Part No.</b>	690575	<b>Ref. No.</b>	935308 FR6410451 FR935308
<b>description</b>	hinge bearing mounting pos. upper right with bolt		

## pullouts

### drawer slides

#### universal





<b>Part No.</b>	690753 <sup>1</sup>	<b>Ref. No.</b>	BN144906+1449081
<b>description</b>	telescopic slide pair L 550mm pull-out length 610mm total length 1160mm Qty 1 pair capacity 50kg H 60mm SS telescopic		
<b>spare parts for</b>	690753		
	<b>Part No.</b>	690750	<b>Ref. No.</b> —
	<b>Part No.</b>	696333	<b>Ref. No.</b> —


<sup>1</sup>multiple slide (60mm more than nominal length)


mechanical components,  
equipment accessories


producer-specific

1 

<b>Part No.</b>	690613	<b>Ref. No.</b>	990160 FR6450160 FR990160
<b>description</b>	drawer slide L 570mm pull-out lengthmm Qty 1 pair W 17mm H 60mm mounting pos. right/left SS with stopper		
<b>spare parts for</b>	690613		
	<b>Part No.</b>	690750	<b>Ref. No.</b> —
	stop for telescopic rail L 20mm plastic H 12mm D 9mm		

1 


<b>Part No.</b>	690611	<b>Ref. No.</b>	990005 FR6450022 FR990005
<b>description</b>	drawer slide L 600mm pull-out lengthmm Qty 1 pair W 17mm H 60mm mounting pos. right/left with stopper		
<b>spare parts for</b>	690611		
	<b>Part No.</b>	690750	<b>Ref. No.</b> —
	stop for telescopic rail L 20mm plastic H 12mm D 9mm		

1 


<b>Part No.</b>	690612	<b>Ref. No.</b>	990204 FR6450170 FR990204
<b>description</b>	drawer slide L 660mm pull-out lengthmm Qty 1 pair W 17mm H 60mm mounting pos. right/left SS		

filters

device filters

1 


<b>Part No.</b>	692818	<b>Ref. No.</b>	935322 FR935322
<b>description</b>	filter L 245mm W 245mm H 8mm for fridge		

1 

<b>Part No.</b>	692816	<b>Ref. No.</b>	140408 935320 BN140408 FR935320
<b>description</b>	filter L 290mm W 290mm H 5mm for fridge		

equipment feet and end caps

screw-in feet

1 

<b>Part No.</b>	695545	<b>Ref. No.</b>	925640 FR925640
<b>description</b>	equipment foot thread M10 thread L 32mm ø 40mm H 12mm Qty 1 pcs		

shelves and shelf rails


grates

universal


without upstand

1 

<b>Part No.</b>	970122	<b>Ref. No.</b>	990039 FR6350610 FR990039
<b>description</b>	grate W 325mm D 530mm GN 1/1 H 8mm stainless steel wire gauge frame 7mm lengthwise wires gauge 4mm crossing wires 1		
<b>accessories for</b>	970122		
	<b>Part No.</b>	690330	<b>Ref. No.</b> —
	rack L 1000mm W 22mm H 4mm aperture 3x8mm hole distance 12.5mm stainless steel		
	<b>Part No.</b>	694700	<b>Ref. No.</b> —
	shelf support L 31/28mm W 22mm H 18mm SS Qty 12 pcs		
	<b>Part No.</b>	694701	<b>Ref. No.</b> —
	shelf support L 31/28mm W 22mm H 17mm SS with hook Qty 12 pcs		


1

<b>Part No.</b>	970125	<b>Ref. No.</b>	990028 FR6351760 FR990028
<b>description</b>	grate W 325mm D 530mm GN 1/1 plastic-coated steel crossing wires 1 white suitable for refrigerator		
<b>accessories for</b>	970125		
	<b>Part No.</b>	690330	<b>Ref. No.</b> —
	rack L 1000mm W 22mm H 4mm aperture 3x8mm hole distance 12.5mm stainless steel		
	<b>Part No.</b>	694700	<b>Ref. No.</b> —
	shelf support L 31/28mm W 22mm H 18mm SS Qty 12 pcs		
	<b>Part No.</b>	694701	<b>Ref. No.</b> —
	shelf support L 31/28mm W 22mm H 17mm SS with hook Qty 12 pcs		







1

<b>Part No.</b>	970132	<b>Ref. No.</b>	990026 BN1440040600 FR990026
<b>description</b>	grate W 400mm D 600mm plastic-coated steel crossing wires 1 white suitable for refrigerator		
<b>accessories for</b>	970132		
	<b>Part No.</b>	690330	<b>Ref. No.</b> —
	rack L 1000mm W 22mm H 4mm aperture 3x8mm hole distance 12.5mm stainless steel		
	<b>Part No.</b>	694700	<b>Ref. No.</b> —
	shelf support L 31/28mm W 22mm H 18mm SS Qty 12 pcs		
	<b>Part No.</b>	694701	<b>Ref. No.</b> —
	shelf support L 31/28mm W 22mm H 17mm SS with hook Qty 12 pcs		






1

<b>Part No.</b>	970077	<b>Ref. No.</b>	990040 FR990040
<b>description</b>	grate W 400mm D 600mm SS crossing wires 1		
<b>accessories for</b>	970077		
	<b>Part No.</b>	690330	<b>Ref. No.</b> —
	rack L 1000mm W 22mm H 4mm aperture 3x8mm hole distance 12.5mm stainless steel		
	<b>Part No.</b>	694700	<b>Ref. No.</b> —
	shelf support L 31/28mm W 22mm H 18mm SS Qty 12 pcs		
	<b>Part No.</b>	694701	<b>Ref. No.</b> —
	shelf support L 31/28mm W 22mm H 17mm SS with hook Qty 12 pcs		




1

<b>Part No.</b>	970126	<b>Ref. No.</b>	990230
<b>description</b>	grate W 530mm D 650mm GN 2/1 plastic-coated steel wire gauge frame 8mm lengthwise wires gauge 5mm crossing wires 2 white suitable for refrigerator		
<b>accessories for</b>	970126		
	<b>Part No.</b>	690330	<b>Ref. No.</b> —
	rack L 1000mm W 22mm H 4mm aperture 3x8mm hole distance 12.5mm stainless steel		
	<b>Part No.</b>	694700	<b>Ref. No.</b> —
	shelf support L 31/28mm W 22mm H 18mm SS Qty 12 pcs		
	<b>Part No.</b>	694701	<b>Ref. No.</b> —
	shelf support L 31/28mm W 22mm H 17mm SS with hook Qty 12 pcs		

shelf rails and supports


producer-specific





1


<b>Part No.</b>	700700	<b>Ref. No.</b>	935672 FR935672
<b>description</b>	guide L-shape L 450mm W 41mm H 24mm mounting pos. left/right		





			
1			
<b>Part No.</b>	700701	<b>Ref. No.</b>	935669 FR935669
<b>description</b>	guide L-shape L 730mm W 41mm H 24mm mounting pos. left/right		

			
1			
<b>Part No.</b>	700698	<b>Ref. No.</b>	990332 FR990332
<b>description</b>	pair of setting bar L-shape L 450mm W 41mm H 26mm		


			
1			
<b>Part No.</b>	700695	<b>Ref. No.</b>	990060
<b>description</b>	pair of setting bar L-shape L 558mm W 16mm H 24mm		


			
1			
<b>Part No.</b>	690616	<b>Ref. No.</b>	990127 990167 FR990127 FR990167
<b>description</b>	pair of setting bar L-shape L 623mm W 16mm H 22mm		


			
1			
<b>Part No.</b>	700694	<b>Ref. No.</b>	990059 FR990059
<b>description</b>	pair of setting bar L-shape L 650mm W 16mm H 24mm mounting distance 620mm		

			
1			
<b>Part No.</b>	700699	<b>Ref. No.</b>	990333 FR990333
<b>description</b>	pair of setting bar L-shape L 730mm W 41mm H 24mm		

			
1			
<b>Part No.</b>	690617	<b>Ref. No.</b>	990165
<b>description</b>	pair of setting bar U-shape L 480mm W 13mm inner height 19mm		

			
1			
<b>Part No.</b>	700702	<b>Ref. No.</b>	990085 FR990085
<b>description</b>	pair of setting bar U-shape L 505mm W 21mm inner height 20mm		

			
1			
<b>Part No.</b>	690619	<b>Ref. No.</b>	990058 990302 FR990058 FR990302
<b>description</b>	pair of setting bar U-shape L 560mm W 13mm inner height 19mm		

			
1			
<b>Part No.</b>	690615	<b>Ref. No.</b>	990166 FR990166
<b>description</b>	pair of setting bar U-shape L 567mm W 13mm H 19mm mounting pos. left/right		





1

<b>Part No.</b>	700696	<b>Ref. No.</b>	990330 FR990330
<b>description</b>	pair of setting bar U-shape L 585mm W 13mm inner height 20mm		

1

<b>Part No.</b>	692090	<b>Ref. No.</b>	990029 FR990029
<b>description</b>	pair of setting bar U-shape L 633mm W 13mm inner height 20mm		

1

<b>Part No.</b>	690618	<b>Ref. No.</b>	990057 FR990057
<b>description</b>	pair of setting bar U-shape L 650mm W 13mm inner height 19mm mounting distance 620mm		

1

<b>Part No.</b>	691319	<b>Ref. No.</b>	990164 FR990164
<b>description</b>	pair of setting bar U-shape L 668mm W 13mm inner height 20mm		

1

<b>Part No.</b>	700691	<b>Ref. No.</b>	935374 FR935374
<b>description</b>	rack L 1020mm mounting pos. at the back left hole distance 102mm aperture 14x14mm		

1

<b>Part No.</b>	700690	<b>Ref. No.</b>	935373 FR935373
<b>description</b>	rack L 1020mm mounting pos. at the back right hole distance 102mm aperture 14x14mm		

1

<b>Part No.</b>	700692	<b>Ref. No.</b>	935372 FR935372
<b>description</b>	rack L 1020mm mounting pos. front hole distance 102mm aperture 14x14mm		

1

<b>Part No.</b>	700689	<b>Ref. No.</b>	935601 FR935601
<b>description</b>	rack L 1250mm hole distance 60mm aperture 14x23mm		

1

<b>Part No.</b>	700688	<b>Ref. No.</b>	935365 FR935365
<b>description</b>	rack L 1300mm hole distance 45mm aperture 14x14mm		

1

<b>Part No.</b>	700693	<b>Ref. No.</b>	935363 FR935363
<b>description</b>	rack L 1300mm mounting pos. front hole distance 45mm aperture 14x14mm		



1



<b>Part No.</b>	700687	<b>Ref. No.</b>	935234 FR935234
<b>description</b>	rack L 1360mm hole distance 75mm aperture 14x14mm		

1



<b>Part No.</b>	700686	<b>Ref. No.</b>	935236 FR6151420 FR935236
<b>description</b>	rack L 1360mm hole distance 75mm aperture 14x23mm		

1



<b>Part No.</b>	700685	<b>Ref. No.</b>	935235 FR935235
<b>description</b>	rack L 580mm hole distance 60mm aperture 14x14mm		

1



<b>Part No.</b>	700684	<b>Ref. No.</b>	935237 FR935237
<b>description</b>	rack L 580mm hole distance 60mm aperture 14x23mm		

## gaskets

## refrigeration gaskets

## miscellaneous



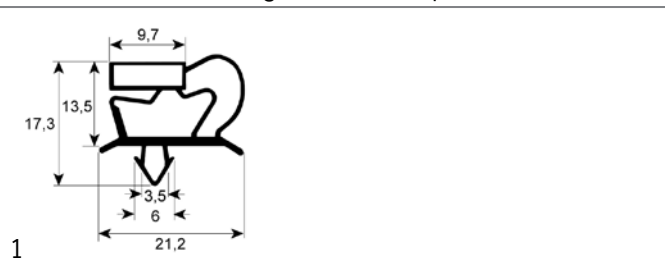
1

<b>Part No.</b>	900704	<b>Ref. No.</b>	935654 FR935654
<b>description</b>	bottom gasket L 690mm		

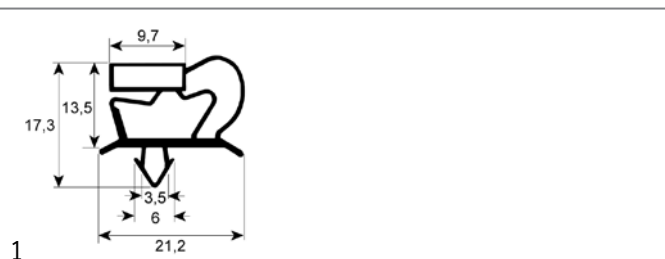
## plug-in gaskets

## profile 9048

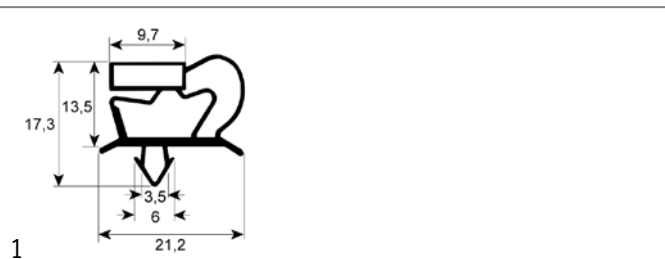
We offer custom-made gaskets for this profile



<b>Part No.</b>	900687	<b>Ref. No.</b>	4500681 925283 FR4500681 FR925283
<b>description</b>	refrigeration gasket profile 9048 W 160mm L 390mm plug size		
<b>For models:</b>	TR 37 S		



<b>Part No.</b>	900289	<b>Ref. No.</b>	925316 FR4500721 FR925316
<b>description</b>	refrigeration gasket profile 9048 W 160mm L 460mm plug size		



<b>Part No.</b>	900281	<b>Ref. No.</b>	925438 FR925438
<b>description</b>	refrigeration gasket profile 9048 W 160mm L 600mm plug size		



1

<b>Part No.</b>	900698	<b>Ref. No.</b>	4500501 925159 FR4500501 FR925159
<b>description</b>	refrigeration gasket profile 9048 W 170mm L 390mm plug size		

1

<b>Part No.</b>	900284	<b>Ref. No.</b>	925433 FR925433
<b>description</b>	refrigeration gasket profile 9048 W 265mm L 655mm plug size		

1

<b>Part No.</b>	900282	<b>Ref. No.</b>	925068 FR925068
<b>description</b>	refrigeration gasket profile 9048 W 180mm L 580mm plug size		

1

<b>Part No.</b>	900696	<b>Ref. No.</b>	915017 FR304500051 FR915017
<b>description</b>	refrigeration gasket profile 9048 W 350mm L 415mm plug size		

1

<b>Part No.</b>	900313	<b>Ref. No.</b>	925053 FR4500282 FR925053
<b>description</b>	refrigeration gasket profile 9048 W 185mm L 370mm plug size drawer size 1/3		

1

<b>Part No.</b>	900694	<b>Ref. No.</b>	925284 FR925284
<b>description</b>	refrigeration gasket profile 9048 W 370mm L 390mm plug size		

1

<b>Part No.</b>	900288	<b>Ref. No.</b>	925437 FR925437
<b>description</b>	refrigeration gasket profile 9048 W 265mm L 600mm plug size		

1

<b>Part No.</b>	900689	<b>Ref. No.</b>	925317 FR925317
<b>description</b>	refrigeration gasket profile 9048 W 370mm L 460mm plug size		



1

<b>Part No.</b>	900842	<b>Ref. No.</b>	14413690499 925633 BN14413690499 FR925633
<b>description</b>	refrigeration gasket profile 9048 W 370mm L 500mm plug size		

1

<b>Part No.</b>	900685	<b>Ref. No.</b>	925519 FR4500931 FR925519
<b>description</b>	refrigeration gasket profile 9048 W 370mm L 560mm plug size		

1

<b>Part No.</b>	900312	<b>Ref. No.</b>	4500312 925052 FR4500312 FR925052
<b>description</b>	refrigeration gasket profile 9048 W 370mm L 615mm plug size door size 1/1		

1

<b>Part No.</b>	900695	<b>Ref. No.</b>	4500302 925055 FR4500302 FR925055
<b>description</b>	refrigeration gasket profile 9048 W 375mm L 400mm plug size		

1

<b>Part No.</b>	900699	<b>Ref. No.</b>	925157 FR4500521 FR925157
<b>description</b>	refrigeration gasket profile 9048 W 390mm L 390mm plug size		

1

<b>Part No.</b>	900287	<b>Ref. No.</b>	925156 FR4500531 FR925156
<b>description</b>	refrigeration gasket profile 9048 W 390mm L 610mm plug size		

1

<b>Part No.</b>	900719	<b>Ref. No.</b>	925070 FR4500342 FR925070
<b>description</b>	refrigeration gasket profile 9048 W 395mm L 580mm plug size		

1

<b>Part No.</b>	900731	<b>Ref. No.</b>	14414300620 926005 BN14414300620 FR926005
<b>description</b>	refrigeration gasket profile 9048 W 396mm L 566mm plug size		



<b>Part No.</b>	901011	<b>Ref. No.</b>	925104 FR925104
<b>description</b>	refrigeration gasket profile 9048 W 412mm L 625mm plug size		

<b>Part No.</b>	901012	<b>Ref. No.</b>	925067 FR4500352 FR925067
<b>description</b>	refrigeration gasket profile 9048 W 590mm L 635mm plug size		

<b>Part No.</b>	901214	<b>Ref. No.</b>	995948old FR995948old
<b>description</b>	refrigeration gasket profile 9048 W 435mm L 695mm plug size		

<b>Part No.</b>	900315	<b>Ref. No.</b>	935186 FR4500251 FR935186
<b>description</b>	refrigeration gasket profile 9048 W 660mm L 755mm plug size 1/2 door		

<b>Part No.</b>	900283	<b>Ref. No.</b>	925436 FR4500831 FR925436
<b>description</b>	refrigeration gasket profile 9048 W 580mm L 600mm plug size		

<b>Part No.</b>	900310	<b>Ref. No.</b>	4500451 935306 FR4500451 FR935306
<b>description</b>	refrigeration gasket profile 9048 W 677mm L 1512mm plug size door		

<b>Part No.</b>	900286	<b>Ref. No.</b>	925432 FR4500791 FR925432
<b>description</b>	refrigeration gasket profile 9048 W 580mm L 667mm plug size		

<b>Part No.</b>	901212	<b>Ref. No.</b>	995950old FR995950old
<b>description</b>	refrigeration gasket profile 9048 W 695mm L 1210mm plug size		





<b>Part No.</b>	902258	<b>Ref. No.</b>	N/A
<b>description</b>	refrigeration gasket profile 9048 Wmm L 2500mm		

**profile 9703**

We offer custom-made gaskets for this profile

<b>Part No.</b>	900702	<b>Ref. No.</b>	935610 FR935610
<b>description</b>	refrigeration gasket profile 9703 W 652mm L 1482mm plug size		

<b>Part No.</b>	900701	<b>Ref. No.</b>	935691 FR4500180 FR935691
<b>description</b>	refrigeration gasket profile 9703 W 670mm L 1510mm plug size		

<b>Part No.</b>	900703	<b>Ref. No.</b>	935432 FR935432
<b>description</b>	refrigeration gasket profile 9703 W 685mm L 1530mm plug size		

**profile 9794**

We offer custom-made gaskets for this profile

<b>Part No.</b>	900691	<b>Ref. No.</b>	4500671 925282 FR4500671 FR925282
<b>description</b>	refrigeration gasket profile 9794 W 265mm L 390mm plug size		
<b>For models:</b>	TR 27 GOLD, TR 37 S, TR 47 GOLD		

<b>Part No.</b>	900686	<b>Ref. No.</b>	4500711 925315 FR4500711 FR925315
<b>description</b>	refrigeration gasket profile 9794 W 270mm L 460mm plug size		

<b>Part No.</b>	900688	<b>Ref. No.</b>	925158 FR4500511 FR925158
<b>description</b>	refrigeration gasket profile 9794 W 280mm L 390mm plug size		

<b>Part No.</b>	900690	<b>Ref. No.</b>	925069 FR925069
<b>description</b>	refrigeration gasket profile 9794 W 290mm L 580mm plug size		

<b>Part No.</b>	900690	<b>Ref. No.</b>	925069 FR925069
<b>description</b>	refrigeration gasket profile 9794 W 290mm L 580mm plug size		



1			
<b>Part No.</b>	900856	<b>Ref. No.</b>	925556 FR4500951 FR925556
<b>description</b>	refrigeration gasket profile 9794 W 358mm L 910mm plug size		

1			
<b>Part No.</b>	900718	<b>Ref. No.</b>	4500441 935215 FR4500441 FR935215
<b>description</b>	refrigeration gasket profile 9794 W 535mm L 1185mm plug size		

1			
<b>Part No.</b>	900684	<b>Ref. No.</b>	077FR925281 4500661 FR4500661
<b>description</b>	refrigeration gasket profile 9794 W 390mm L 580mm plug size		
<b>For models:</b>	TR 47 GOLD		

1			
<b>Part No.</b>	901838	<b>Ref. No.</b>	1441571718 935204 BN1441571718 FR935204
<b>description</b>	refrigeration gasket profile 9794 W 571mm L 718mm		

1			
<b>Part No.</b>	902523	<b>Ref. No.</b>	14414580620 915259 BN14414580620 FR915259
<b>description</b>	refrigeration gasket profile 9794 W 450mm L 613mm plug size		

1			
<b>Part No.</b>	902111	<b>Ref. No.</b>	935813 FR4501211 FR935813
<b>description</b>	refrigeration gasket profile 9794 W 599mm L 1559mm plug size		

1			
<b>Part No.</b>	902207	<b>Ref. No.</b>	4500551 925198 FR4500551 FR925198
<b>description</b>	refrigeration gasket profile 9794 W 458mm L 608mm plug size		

1			
<b>Part No.</b>	901667	<b>Ref. No.</b>	935818 FR4501251 FR935818
<b>description</b>	refrigeration gasket profile 9794 W 615mm L 680mm plug size		



<b>Part No.</b>	901153	<b>Ref. No.</b>	4501221 935819 FR4501221 FR935819
<b>description</b>	refrigeration gasket profile 9794 W 622mm L 1495mm plug size		

<b>Part No.</b>	900697	<b>Ref. No.</b>	935639 FR4501111 FR935639
<b>description</b>	refrigeration gasket profile 9794 W 680mm L 740mm plug size		

<b>Part No.</b>	900700	<b>Ref. No.</b>	4501131 935602 FR4501131 FR935602
<b>description</b>	refrigeration gasket profile 9794 W 640mm L 1455mm plug size		

<b>Part No.</b>	900612	<b>Ref. No.</b>	4500651 975004 FR4500651 FR975004
<b>description</b>	refrigeration gasket profile 9794 W 755mm L 1820mm plug size		

<b>Part No.</b>	901597	<b>Ref. No.</b>	4500461 935307 FR4500461 FR935307
<b>description</b>	refrigeration gasket profile 9794 W 678mm L 730mm plug size with magnet		

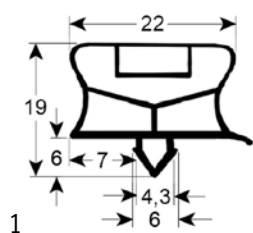
<b>Part No.</b>	901918	<b>Ref. No.</b>	4501091 995965 FR4501091
<b>description</b>	refrigeration gasket profile 9794 W 945mm L 755mm external size L1 780mm W1 965mm plug size		

<b>Part No.</b>	900693	<b>Ref. No.</b>	4501121 935638 FR4501121 FR935638
<b>description</b>	refrigeration gasket profile 9794 W 680mm L 1535mm plug size		

<b>Part No.</b>	902308	<b>Ref. No.</b>	N/A
<b>description</b>	refrigeration gasket profile 9794 Wmm L 2500mm		

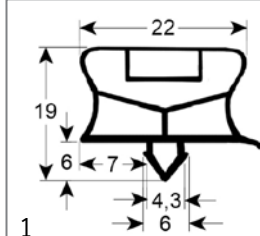


profile 9794Z (blast freezer)



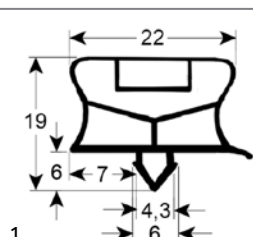
<b>Part No.</b>	901837 <sup>1</sup>	<b>Ref. No.</b>	4500901 FR4500901 FR995950
<b>description</b>	blast freezer gasket profile 9794Z W 1210mm L 695mm for blast chiller suitable for FRIULINOX		

<sup>1</sup>for blast freezer



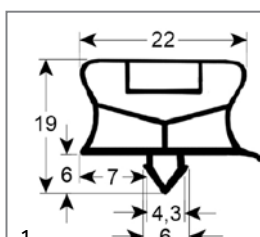
<b>Part No.</b>	901819 <sup>1</sup>	<b>Ref. No.</b>	4501502 965298 FR4501502 FR965298
<b>description</b>	blast freezer gasket profile 9794Z W 685mm L 645mm suitable for FRIULINOX		

<sup>1</sup>for blast freezer



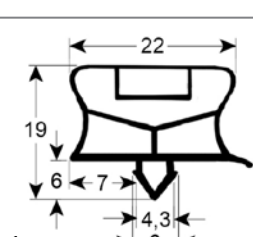
<b>Part No.</b>	901820 <sup>1</sup>	<b>Ref. No.</b>	965128 FR4501151 FR965128
<b>description</b>	blast freezer gasket profile 9794Z W 336mm L 692mm suitable for FRIULINOX		

<sup>1</sup>for blast freezer



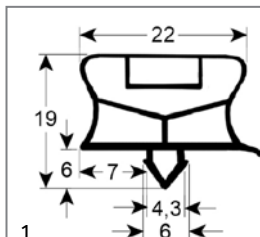
<b>Part No.</b>	901814 <sup>1</sup>	<b>Ref. No.</b>	FR4501621 FR965385
<b>description</b>	blast freezer gasket profile 9794Z W 690mm L 363mm for blast chiller suitable for FRIULINOX		

<sup>1</sup>for blast freezer



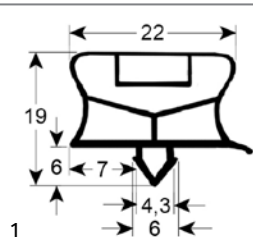
<b>Part No.</b>	901812 <sup>1</sup>	<b>Ref. No.</b>	965122 FR4501142 FR965122
<b>description</b>	blast freezer gasket profile 9794Z W 440mm L 360mm plug size suitable for FRIULINOX		

<sup>1</sup>for blast freezer



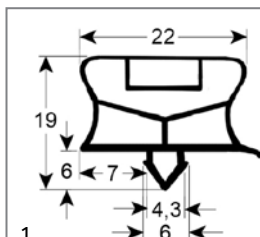
<b>Part No.</b>	901835 <sup>1</sup>	<b>Ref. No.</b>	4500921 995948 FR4500921 FR995948
<b>description</b>	blast freezer gasket profile 9794Z W 695mm L 437mm for blast chiller suitable for FRIULINOX		

<sup>1</sup>for blast freezer



<b>Part No.</b>	901813 <sup>1</sup>	<b>Ref. No.</b>	4500701 FR4500701 FR925314
<b>description</b>	blast freezer gasket profile 9794Z W 580mm L 461mm for blast chiller suitable for FRIULINOX		

<sup>1</sup>for blast freezer



<b>Part No.</b>	901836 <sup>1</sup>	<b>Ref. No.</b>	4500911 995949 FR4500911 FR995949
<b>description</b>	blast freezer gasket profile 9794Z W 817mm L 690mm for blast chiller suitable for FRIULINOX		

<sup>1</sup>for blast freezer



<b>Part No.</b>	901800 <sup>1</sup>	<b>Ref. No.</b>	4501512 996457 FR4501512 FR996457
<b>description</b>	blast freezer gasket profile 9794Z W 847mm L 685mm for blast chiller suitable for FRIULINOX		

<sup>1</sup>for blast freezer

## profile 9195

We offer custom-made gaskets for this profile

<b>Part No.</b>	900855	<b>Ref. No.</b>	4500292 925054 FR4500292 FR925054
<b>description</b>	refrigeration gasket profile 9195 W 305mm L 390mm plug size		

<b>Part No.</b>	902435	<b>Ref. No.</b>	996453 FR996453
<b>description</b>	refrigeration gasket profile 9195 W 400mm L 690mm		

## screw-in gaskets

## profile 9663

We offer custom-made gaskets for this profile

<b>Part No.</b>	902295	<b>Ref. No.</b>	N/A
<b>description</b>	refrigeration gasket profile 9663 Wmm L 2500mm		

## profile 9030

We offer custom-made gaskets for this profile

<b>Part No.</b>	901805	<b>Ref. No.</b>	FR925019
<b>description</b>	refrigeration gasket profile 9030 W 198mm L 595mm		

<b>Part No.</b>	901806	<b>Ref. No.</b>	FR925020
<b>description</b>	refrigeration gasket profile 9030 W 306mm L 595mm		

<b>Part No.</b>	900002	<b>Ref. No.</b>	925017 FR925017
<b>description</b>	refrigeration gasket profile 9030 W 310mm L 390mm external size drawer for refrigerated counter refrigeration size 1/2		

<b>Part No.</b>	901804	<b>Ref. No.</b>	925018 FR925018
<b>description</b>	refrigeration gasket profile 9030 W 390mm L 490mm		

<b>Part No.</b>	901808	<b>Ref. No.</b>	FR925013
<b>description</b>	refrigeration gasket profile 9030 W 390mm L 634mm		





<b>Part No.</b>	901810	<b>Ref. No.</b>	FR4500071 FR925014
<b>description</b>	refrigeration gasket profile 9030 W 595mm L 634mm		

<b>Part No.</b>	900005	<b>Ref. No.</b>	935046
<b>description</b>	refrigeration gasket profile 9030 W 675mm L 770mm external size 1/2 door refrigeration suitable for ELECTROLUX, ZANUSSI		

profile 9665

<b>Part No.</b>	901803	<b>Ref. No.</b>	FR925016
<b>description</b>	refrigeration gasket profile 9665 W 198mm L 390mm external size		

gaskets for walk-in fridges

<b>Part No.</b>	901185	<b>Ref. No.</b>	4500431 945018 FR4500431 FR945018
<b>description</b>	gasket for walk-in fridges profile 9780 W 680mm L 1930mm plug size grey		

<b>Part No.</b>	901431	<b>Ref. No.</b>	4500270 945001 FR4500270 FR945001
<b>description</b>	gasket for walk-in fridges profile 9780 W 735mm L 1835mm plug size grey		

<b>Part No.</b>	901247	<b>Ref. No.</b>	945002 FR4500260 FR945002
<b>description</b>	gasket for walk-in fridges profile 9780 W 830mm L 1920mm plug size grey		

## refrigeration cycle components

### cooling water regulators

#### JOHNSON CONTROLS

<b>Part No.</b>	541150	<b>Ref. No.</b>	995492 FR6850520 FR995492
<b>description</b>	cooling water regulator 3/8" type V46AA-9609 connection 7/16" UNF (1/4" SAE) pressure range 5-23bar water pressure max. 10bar water temperature max. 90°C capillary pipe 750mm L 160mm 0.9kg		



## valves

## expansion valves

HONEYWELL

## valves



1

<b>Part No.</b>	750018	<b>Ref. No.</b>	995678 FR6850730 FR995678
<b>description</b>	expansion valve HONEYWELL type TMV coolant R134a angled 90° thermostatically controlled inlet 5/8" UNF (3/8" SAE) outlet 3/4" UNF (1/2" SAE) p max 25bar -30 up to +15°C		



1

<b>Part No.</b>	750017	<b>Ref. No.</b>	995771 FR995771
<b>description</b>	expansion valve HONEYWELL type TMV coolant R404a/R507 angled 90° thermostatically controlled inlet 5/8" UNF (3/8" SAE) outlet 3/4" UNF (1/2" SAE) p max 25bar -50 up to -27°C		



1

<b>Part No.</b>	750019	<b>Ref. No.</b>	995681 FR6850760 FR995681
<b>description</b>	expansion valve HONEYWELL type TMVX coolant R404a/R507 angled 90° thermostatically controlled inlet 5/8" UNF (3/8" SAE) outlet 3/4" UNF (1/2" SAE) 7/16" UNF (1/4" SAE) p max 25bar -50 up to -27°C		

## nozzle inserts



1

<b>Part No.</b>	750028	<b>Ref. No.</b>	995713 FR995713
<b>description</b>	nozzle insert nozzle $\varnothing$ 0.3mm type VD0.3 TMV/TMVX HONEYWELL		



1

<b>Part No.</b>	750027	<b>Ref. No.</b>	995714 FR995714
<b>description</b>	nozzle insert type VD0.5 nozzle $\varnothing$ 0.5mm TMV/TMVX HONEYWELL		



1

<b>Part No.</b>	750026	<b>Ref. No.</b>	995716 FR995716
<b>description</b>	nozzle insert type VD1.0 nozzle $\varnothing$ 1mm TMV/TMVX HONEYWELL		



1

<b>Part No.</b>	750025	<b>Ref. No.</b>	995717 FR995717
<b>description</b>	nozzle insert type VD1.5 nozzle $\varnothing$ 1.5mm TMV/TMVX HONEYWELL		

## SANHUA

## valves



1

<b>Part No.</b>	750674	<b>Ref. No.</b>	N/A
<b>description</b>	expansion valve SANHUA type RFKA03-3.4-03 coolant R404a/R507a inlet 3/8" outlet 12mm p max 35bar -40 up to +10°C capillary pipe 1500mm		

spare parts for 750674



<b>Part No.</b>	750678	<b>Ref. No.</b>	—
<b>description</b>	nozzle insert size 0X type 140114 RFK SANHUA		



<b>Part No.</b>	750679	<b>Ref. No.</b>	—
<b>description</b>	nozzle insert size 00 type 151214 RFK SANHUA		



<b>Part No.</b>	750680	<b>Ref. No.</b>	—
<b>description</b>	nozzle insert size 01 type 160601 RFK SANHUA		



<b>Part No.</b>	750681	<b>Ref. No.</b>	—
<b>description</b>	nozzle insert size 02 type 160517 RFK SANHUA		




<b>Part No.</b>	750682	<b>Ref. No.</b>	—
<b>description</b>	nozzle insert size 03 type 160519 RFK SANHUA		










<b>Part No.</b>	750683	<b>Ref. No.</b>	—
<b>description</b>	nozzle insert size 04 type 140721 RFK SANHUA		




<b>Part No.</b>	750684	<b>Ref. No.</b>	—
<b>description</b>	nozzle insert size 05 type 140813 RFK SANHUA		








1




<b>Part No.</b>	750676 <sup>1</sup>	<b>Ref. No.</b>	N/A
<b>description</b>	expansion valve SANHUA type RFKA03-3.4-04 coolant R404a/R507a inlet 3/8" outlet 12mm p max 35bar MOP -10°C capillary pipe 1500mm		
<b>spare parts for</b>	750676		
	<b>Part No.</b>	750678	<b>Ref. No.</b> —
	nozzle insert size 0X type 140114 RFK SANHUA		
	<b>Part No.</b>	750679	<b>Ref. No.</b> —
	nozzle insert size 00 type 151214 RFK SANHUA		
	<b>Part No.</b>	750680	<b>Ref. No.</b> —
	nozzle insert size 01 type 160601 RFK SANHUA		
	<b>Part No.</b>	750681	<b>Ref. No.</b> —
	nozzle insert size 02 type 160517 RFK SANHUA		
	<b>Part No.</b>	750682	<b>Ref. No.</b> —
	nozzle insert size 03 type 160519 RFK SANHUA		
	<b>Part No.</b>	750683	<b>Ref. No.</b> —
	nozzle insert size 04 type 140721 RFK SANHUA		
	<b>Part No.</b>	750684	<b>Ref. No.</b> —
	nozzle insert size 05 type 140813 RFK SANHUA		




1








<b>Part No.</b>	750677 <sup>1</sup>	<b>Ref. No.</b>	N/A
<b>description</b>	expansion valve SANHUA type RFKA03E-3.4-01 coolant R404a/R507a inlet 3/8" outlet 12mm 6mm p max 35bar MOP -10°C capillary pipe 1500mm		
<b>spare parts for</b>	750677		
	<b>Part No.</b>	750678	<b>Ref. No.</b> —
	nozzle insert size 0X type 140114 RFK SANHUA		
	<b>Part No.</b>	750679	<b>Ref. No.</b> —
	nozzle insert size 00 type 151214 RFK SANHUA		
	<b>Part No.</b>	750680	<b>Ref. No.</b> —
	nozzle insert size 01 type 160601 RFK SANHUA		
	<b>Part No.</b>	750681	<b>Ref. No.</b> —
	nozzle insert size 02 type 160517 RFK SANHUA		

**spare parts for** 750677

	<b>Part No.</b>	750682	<b>Ref. No.</b>	—
	nozzle insert size 03 type 160519 RFK SANHUA			
	<b>Part No.</b>	750683	<b>Ref. No.</b>	—
	nozzle insert size 04 type 140721 RFK SANHUA			
	<b>Part No.</b>	750684	<b>Ref. No.</b>	—
	nozzle insert size 05 type 140813 RFK SANHUA			



1

<b>Part No.</b>	750675	<b>Ref. No.</b>	N/A
<b>description</b>	expansion valve SANHUA type RFKA03E-3.4-02 coolant R404a/R507a inlet 3/8" outlet 12mm 6mm p max 35bar -40 up to +10°C capillary pipe 1500mm		
<b>spare parts for</b>	750675		
	<b>Part No.</b>	750678	<b>Ref. No.</b> —
	nozzle insert size 0X type 140114 RFK SANHUA		
	<b>Part No.</b>	750679	<b>Ref. No.</b> —
	nozzle insert size 00 type 151214 RFK SANHUA		
	<b>Part No.</b>	750680	<b>Ref. No.</b> —
	nozzle insert size 01 type 160601 RFK SANHUA		
	<b>Part No.</b>	750681	<b>Ref. No.</b> —
	nozzle insert size 02 type 160517 RFK SANHUA		
	<b>Part No.</b>	750682	<b>Ref. No.</b> —
	nozzle insert size 03 type 160519 RFK SANHUA		
	<b>Part No.</b>	750683	<b>Ref. No.</b> —
	nozzle insert size 04 type 140721 RFK SANHUA		
	<b>Part No.</b>	750684	<b>Ref. No.</b> —
	nozzle insert size 05 type 140813 RFK SANHUA		



## indicators

## DANFOSS



1

<b>Part No.</b>	750066	<b>Ref. No.</b>	995423 996271 FR996271
<b>description</b>	sight glass DANFOSS type SGN10 with indicator connection ODS/ODF 10mm -50 up to +80°C p max 35bar		

## filter driers

## DANFOSS



1

<b>Part No.</b>	750031	<b>Ref. No.</b>	6525570 995136 995690 FR6525570 FR995690
<b>description</b>	dryer connection 7/16" UNF (1/4" SAE) 41cm <sup>3</sup> p max 46bar -40 up to +70°C 202g type DML 032S size 3 cubic inches		

## miscellaneous



1

<b>Part No.</b>	750244	<b>Ref. No.</b>	995376 FR6520182 FR995376
<b>description</b>	dryer size 15g ø 19mm L 117mm connection 3,2/6,2mm		



1

<b>Part No.</b>	750245	<b>Ref. No.</b>	995377 FR6520192 FR995377
<b>description</b>	dryer size 25g ø 24mm L 125mm connection 3,2/6,2mm		



1

<b>Part No.</b>	750231	<b>Ref. No.</b>	995482 FR995482
<b>description</b>	dryer size 40g ø 24mm L 164mm connection 3,2/6,2mm		



1

<b>Part No.</b>	750232	<b>Ref. No.</b>	995483 FR995483
<b>description</b>	dryer size 40g ø 24mm L 168mm connection 6,2/6,2mm		

## evaporators

## for fridges

## producer-specific



1

<b>Part No.</b>	750243	<b>Ref. No.</b>	995373 FR995373
<b>description</b>	evaporator complete with fan		



1

<b>Part No.</b>	750241	<b>Ref. No.</b>	6524310 935664 FR6524310 FR935664
<b>description</b>	evaporator L 240mm W 140mm H 505mm		





1

<b>Part No.</b>	750242	<b>Ref. No.</b>	6521360 995375 FR6521360 FR995375
<b>description</b>	evaporator L 245mm W 140mm H 650mm complete with fan		



1

<b>Part No.</b>	750237	<b>Ref. No.</b>	995601 FR995601
<b>description</b>	evaporator L 250mm W 150mm H 650mm		




1

<b>Part No.</b>	750236	<b>Ref. No.</b>	935675 FR6521660 FR935675
<b>description</b>	evaporator L 245mm W 155mm H 650mm		
<b>For models:</b>	AR 14-2		



1

<b>Part No.</b>	750235	<b>Ref. No.</b>	995600 FR6522080 FR995600
<b>description</b>	evaporator L 300mm W 140mm H 520mm complete with fan		



1

<b>Part No.</b>	750234	<b>Ref. No.</b>	935674 FR6521640 FR935674
<b>description</b>	evaporator L 250mm W 140mm H 500mm		




1

<b>Part No.</b>	750104	<b>Ref. No.</b>	14330570134 935868 935869 BN14330570134 FR935868 FR935869
<b>description</b>	evaporator L 410mm W 120mm H 490mm complete with fan		





			
1			
<b>Part No.</b>	750195	<b>Ref. No.</b>	915048 FR915048
<b>description</b>	evaporator L 425mm W 315mm H 60mm		


			
1			
<b>Part No.</b>	750315	<b>Ref. No.</b>	6524510 935476 FR6524510 FR935476
<b>description</b>	evaporator L 430mm W 170mm H 50mm		

			
1			
<b>Part No.</b>	750198	<b>Ref. No.</b>	6522092 995609 FR6522092 FR995609
<b>description</b>	evaporator L 495mm W 60mm H 460mm		
<b>For models:</b>	TR37 S		


			
1			
<b>Part No.</b>	750196	<b>Ref. No.</b>	995604 FR6522240 FR995604
<b>description</b>	evaporator L 500mm W 60mm H 330mm		

			
1			
<b>Part No.</b>	750197	<b>Ref. No.</b>	995481 FR6521732 FR995481
<b>description</b>	evaporator L 500mm W 60mm H 330mm		

			
1			
<b>Part No.</b>	750233	<b>Ref. No.</b>	995618 FR6524230 FR995618
<b>description</b>	evaporator L 500mm W 85mm H 470mm		

			
1			
<b>Part No.</b>	750240	<b>Ref. No.</b>	935615 FR6525090 FR935615
<b>description</b>	evaporator L 510mm W 140mm H 205mm		

			
1			
<b>Part No.</b>	750363	<b>Ref. No.</b>	BN14330210292
<b>description</b>	evaporator L 520mm W 60mm H 300mm		

1

<b>Part No.</b>	750238	<b>Ref. No.</b>	6524990 935611 FR6524990 FR935611
<b>description</b>	evaporator L 535mm W 80mm H 205mm		




1

<b>Part No.</b>	750239	<b>Ref. No.</b>	6524980 935613 FR6524980 FR935613
<b>description</b>	evaporator L 535mm W 95mm H 210mm		


## evaporation and condensing trays

### evaporation trays




1

<b>Part No.</b>	750225	<b>Ref. No.</b>	1405020090 995605 BN1405020090 FR995605
<b>description</b>	evaporation tray L 520mm W 68mm H 28mm		
<b>For models:</b>	TR 37 S		



1


<b>Part No.</b>	750224	<b>Ref. No.</b>	925607 FR925607
<b>description</b>	evaporation tray left L 270mm W 70mm H 40mm		



1

<b>Part No.</b>	750223	<b>Ref. No.</b>	925566 FR1180560 FR925566
<b>description</b>	evaporation tray right L 270mm W 70mm H 40mm		

### unheated condensing trays




1

<b>Part No.</b>	750287	<b>Ref. No.</b>	4740240 995932 FR4740240 FR995932
<b>description</b>	evaporation tray L 254mm W 108mm H 100mm		

## springs


### torsion springs



1

<b>Part No.</b>	690272	<b>Ref. No.</b>	935058 936086 FR935058 FR935697
<b>description</b>	torsion spring ø 15mm L2 80mm wire gauge ø 2.5mm mounting pos. left L1 27mm L3 16mm		
<b>accessories for</b>	690272		

<b>Part No.</b>	690271	<b>Ref. No.</b>	1412083 935057 935696 936085 BN1412083 FR935057 FR935696 FR936085
<b>description</b>	torsion spring ø 15mm L2 80mm wire gauge ø 2.5mm mounting pos. right L1 27mm L3 16mm		



1

<b>Part No.</b>	690271	<b>Ref. No.</b>	1412083 935057 935696 936085 BN1412083 FR935057 FR935696 FR936085
<b>description</b>	torsion spring ø 15mm L2 80mm wire gauge ø 2.5mm mounting pos. right L1 27mm L3 16mm		
<b>accessories for</b>	690271		

<b>Part No.</b>	690272	<b>Ref. No.</b>	935058 936086 FR935058 FR935697
<b>description</b>	torsion spring ø 15mm L2 80mm wire gauge ø 2.5mm mounting pos. left L1 27mm L3 16mm		



miscellaneous



<b>Part No.</b>	691221	<b>Ref. No.</b>	990077 FR990077
<b>description</b>	spring clip		

**GASTRO**PARTS.COM

