



GASTROPARTS

Fama

- [EN]** Equipment
- [DE]** Geräte
- [ES]** Aparatos
- [FR]** Équipement
- [IT]** Attrezzature
- [PL]** Urządzenia
- [RU]** Оборудование

✉ gastroparts@gastroparts.com

☎ +48 56 657 00 66

📘 fb.com/gastroparts.global

GASTROPARTS.COM



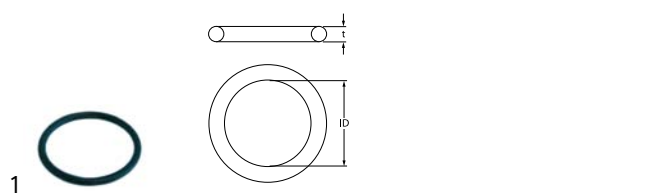


heating elements

accessories

sealing washers

O-rings




1

Part No.	510409	Ref. No.	F2680
description	O-ring EPDM thickness 5.34mm ID ø 56.52mm Qty 1 pcs		



switches and momentary switches

push/momentary push switches


ø22mm



1

Part No.	401357	Ref. No.	F2138
description	momentary push switch mounting measurements ø22mm 1NO/1NC/indicator light 400V 4A indicator lamp 24V 0-I connection screw ambient temperature max. 125/55°C protection IP40		
spare parts for	401357		
	Part No.	346181	Ref. No. —
	push button mounting ø 21mm external size 30x55mm oval		
accessories for	401357		
	Part No.	401709	Ref. No. —
	protective cover external size 57x32mm internal size 47x22mm matt finish rubber H 27.5mm		

overload switches




1

Part No.	348137	Ref. No.	F2231M
description	momentary push switch KLD-28A mounting measurements 45x22mm green/red 2NO/A1 250V 16A I O connection male faston 2.8mm/6.3mm ambient temperature max. 85°C protection IP55 with cover cap		

microswitches

accessories




1

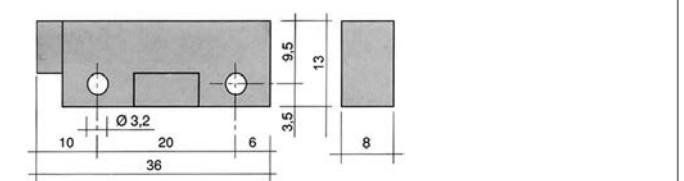
Part No.	346395	Ref. No.	F2163
description	cover for microswitch L 80mm W 60mm H 70mm		


magnetic switches

36x13mm



1



Part No.	345118 ¹	Ref. No.	F2066 FM0053
description	magnetic switch L 36mm W 13mm 1NO 250V 1A P max. 50W connection cable cable length 980mm		
accessories for	345118		
	Part No.	345399	Ref. No. —
	magnet ø 3.3mm L 40mm H 8mm W 13mm hole distance 30mm M3		

¹with coded connector

accessories


magnets


1

Part No.	346392	Ref. No.	F2063
description	magnet		

1

Part No.	346393	Ref. No.	F2064
description	magnet		




			
1			
Part No.	347968	Ref. No.	F2925
description	magnet ø 6mm L 20mm Hmm Wmm mounting ø 6mm		

			
1			
Part No.	346892	Ref. No.	F2063+F2064
description	magnet with holder ø 22mm W 20mm hole ø 8mm		

control equipment

GIOVENZANA


switches (complete)


				
1				
Part No.	401357	Ref. No.	F2138	
description	momentary push switch mounting measurements ø22mm 1NO/1NC/indicator light 400V 4A indicator lamp 24V 0-1 connection screw ambient temperature max. 125/55°C protection IP40			
spare parts for	401357			
	Part No.	346181	Ref. No.	—
	push button mounting ø 21mm external size 30x55mm oval			
accessories for	401357			
	Part No.	401709	Ref. No.	—
	protective cover external size 57x32mm internal size 47x22mm matt finish rubber H 27.5mm			


electronics

PCBs

			
1			
Part No.	403027	Ref. No.	FCU179
description	PCB 230/400V		


			
1			
Part No.	403688	Ref. No.	F2140
description	PCB meat mincer/cheese grater T12 230V		

			
1			
Part No.	401360	Ref. No.	F2141
description	PCB Mod.12 400V		


			
1			
Part No.	401358	Ref. No.	F2027
description	PCB Mod.8 230V		

keypads

membrane keypads

			
1			
Part No.	401356	Ref. No.	F2033
description	membrane keypad		

keypad units

			
1			
Part No.	401356	Ref. No.	F2033
description	membrane keypad		



motors

motors

for meat mincers


rotors

1



Part No.	500726	Ref. No.	F2095 F2095+F2096
description	rotor 230V ø 89.2mm shaft ø 25mm shaft length 357mm Mod.12 meat mincer/cheese grater		

1



Part No.	500725	Ref. No.	F2202 F2202+F2233
description	rotor 400V ø 89.2mm shaft ø 25mm shaft length 357mm Mod.22 meat mincer/cheese grater		

stators


1

Part No.	500826	Ref. No.	F2008
description	stator		

1


Part No.	500824	Ref. No.	F2076
description	stator 230V		

1




Part No.	500825	Ref. No.	F2077
description	stator 230V 50Hz 4-pole 1400rpm 1 phase ø 110mm ID ø 66mm H 60mm with temperature protection Mod.8		

1



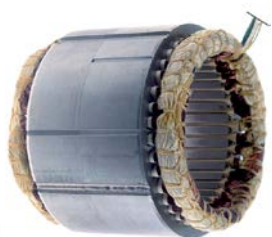
Part No.	500828	Ref. No.	F2096
description	stator 230V 50Hz 4-pole 1400rpm 1 phase ø 150mm ID ø 90mm H 70mm with temperature protection Mod.12		

1




Part No.	500827	Ref. No.	F2009
description	stator 230V 50Hz 4-pole 1400rpm 3 phase ø 110mm ID ø 62mm H 75mm with temperature protection Mod.8		

1




Part No.	500830	Ref. No.	F2203
description	stator 230V 50Hz 6-pole 900rpm 1 phase ø 150mm ID ø 103mm H 90mm with temperature protection Mod.22		

1



Part No.	500829	Ref. No.	F2097
description	stator 400V 50Hz 4-pole 1400rpm 3 phase ø 150mm ID ø 83.6mm H 50mm with temperature protection Mod.12		



1

Part No.	500831	Ref. No.	F2204
description	stator 400V 50Hz 6-pole 900rpm 3 phase ø 150mm ID ø 90mm H 70mm with temperature protection Mod.22		

condensators & interference suppression filters

operating capacitors

plastic




1

Part No.	365014	Ref. No.	F2028
description	operating capacitor capacity 12.5µF 450V tolerance 5%Hz ambient temperature max. -25 to +85°C ø 35mm L 70mm M8 plastic connection male faston 6.3mm 45S.C3DS.12.5 protection		



1

Part No.	365021	Ref. No.	F2144
description	operating capacitor capacity 16µF 425V tolerance 5% 50/60Hz ambient temperature max. -25 to +85°C ø 35mm L 73mm single M8 plastic connection male faston 6.3mm 416.10.99 protection		



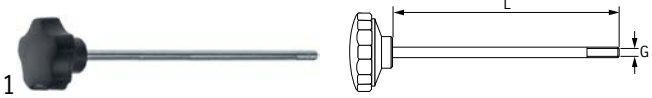
1

Part No.	365019	Ref. No.	F2223
description	operating capacitor capacity 20µF 400V tolerance 5% 50/60Hz ambient temperature max. -25 to +85°C ø 39.5mm L 70mm M8 plastic connection male faston 6.3mm 16.10.25. protection		

equipment-specific units

for slicers

locking screws




1

Part No.	698265	Ref. No.	N/A
description	locking screw thread M6 L 168mm ø 6mm handle ø 40mm 220/250		

food holders

handles



1

Part No.	111123	Ref. No.	FA30G057
description	handle thread M10 IT ø 30mm L 110mm D1 ø 65mm		

grindstones

grindstones cup form




1

Part No.	697606	Ref. No.	FA35G034.15
description	grindstone ø 51mm thickness 12mm bore ø 8mm grained coarse without bevel		


for meat mincers

gear wheels



1


Part No.	698028	Ref. No.	F2106
description	gear wheel double ø 32/70mm shaft intake ø 15mm W 30mm teeth 18/41 splitting tooth width 14/11mm DIN/ISO Mod.12-22		




1

Part No.	698027	Ref. No.	F2104
description	gear wheel ø 25mm shaft intake ø 10mm teeth 13 splitting tooth width 20mm DIN/ISO Mod.12-22		





 <p>1</p>			
Part No.	698019	Ref. No.	F2020
description	gear wheel ø 34mm shaft intake ø 15mm teeth 19 splitting tooth width 19mm DIN/ISO Mod.8		


 <p>1</p>			
Part No.	698029	Ref. No.	F2107
description	gear wheel ø 64mm shaft intake ø 16mm teeth 39 splitting tooth width 13mm DIN/ISO Mod.12-22		


drive shafts


for blades


 <p>1</p>			
Part No.	698038	Ref. No.	F2127
description	drive shaft ENTERPRISE model 12 ø 9.5mm L 53mm thread M12x1.75 D1 ø 20mm thread L 20mm		

 <p>1</p>			
Part No.	698056	Ref. No.	F2217
description	drive shaft ENTERPRISE model 22 ø 11mm L 53mm thread M12x1.75 D1 ø 22mm thread L 18mm		


 <p>1</p>			
Part No.	698023	Ref. No.	F2043
description	drive shaft ENTERPRISE model 8 ø 8.5mm L 37mm stainless steel thread M10x1.5 thread L 15mm		


 <p>1</p>			
Part No.	698045	Ref. No.	F2128
description	drive shaft model 12		

 <p>1</p>			
Part No.	698046	Ref. No.	F2129
description	drive shaft Unger model 12 ø 11.3mm L 43mm stainless steel thread M12x1.75 D1 ø 20mm thread L 20mm		

 <p>1</p>			
Part No.	698066	Ref. No.	F2243 F2252
description	drive shaft Unger model 22 ø 12/15mm L 80mm stainless steel thread M12x1.75		

for augers

 <p>1</p>			
Part No.	698031	Ref. No.	F2109
description	drive shaft model 12-22 ø 17mm L 78mm D1 ø 25mm shaft diameter 10x23mm		

 <p>1</p>			
Part No.	698020	Ref. No.	F2022
description	drive shaft model 8 ø 15mm L 124mm D1 ø 20mm shaft diameter 10x19mm		

 <p>1</p>			
Part No.	698030	Ref. No.	F2102
description	spindle ø 15mm L 31mm Mod.12-22 thread M14x1.5 total length 46mm		

locking screws

locking levers

 <p>1</p>			
Part No.	698093	Ref. No.	F2189
description	locking lever thread M10 ø 28mm lever length 70mm thread L 30mm plastic total length 77mm		



locking screws



1			
Part No.	698092	Ref. No.	F2115
description	locking screw thread M10 thread L 30mm handle ø 60mm plastic		



1			
Part No.	698091	Ref. No.	F2040
description	locking screw thread M8 thread L 25mm handle ø 40mm		

lids



1			
Part No.	698017	Ref. No.	F2152
description	lid model 12-22 ø 100mm plastic mounting distance 85mm		
accessories for	698017		
	Part No.	699592	Ref. No.
			—
	plug for lid ø 75mm plastic for meat mincer/cheese grater		



1			
Part No.	698010	Ref. No.	F2002
description	lid model 8 ø 78mm plastic mounting distance 70mm		

gaskets



1			
Part No.	698026	Ref. No.	F2206
description	gasket for gearbox for model 22 ø 132mm mounting distance 120mm rubber thickness 1mm		



1			
Part No.	698018	Ref. No.	F2012
description	gasket for gearbox for model 8 ø 110mm mounting distance 94x97mm rubber thickness 2mm		



1			
Part No.	698253	Ref. No.	F2014M
description	lid for gearbox ø 35mm thickness 7mm		

funnel trays



1			
Part No.	698077	Ref. No.	F2038 F2113 F2113 ø52mm
description	hopper filling pipe central L 275mm W 200mm H 50mm tube ø 52mm		



1			
Part No.	698201	Ref. No.	F2038 ø56mm
description	hopper filling pipe central L 275mm W 200mm H 60mm tube ø 56mm		



1			
Part No.	698241	Ref. No.	F2038 ø56mm F2113 ø56mm
description	hopper filling pipe central L 275mm W 200mm H 60mm tube ø 56mm		




1


Part No.	698076	Ref. No.	F2207 ø52mm
description	hopper filling pipe central L 370mm W 250mm H 60mm tube ø 52mm		



1


Part No.	698208	Ref. No.	F2207 ø56mm
description	hopper filling pipe central L 370mm W 250mm H 60mm tube ø 56mm		

funnels




1

Part No.	698085	Ref. No.	F2149
description	funnel model 12 ø 15mm		




1

Part No.	698086	Ref. No.	F2150
description	funnel model 12 ø 20mm ED ø 65mm L 135mm		




1

Part No.	698087	Ref. No.	F2151
description	funnel model 12 ø 25mm		




1

Part No.	698088	Ref. No.	F2224
description	funnel model 22 ø 15mm		




1

Part No.	698089	Ref. No.	F2225
description	funnel model 22 ø 20mm		



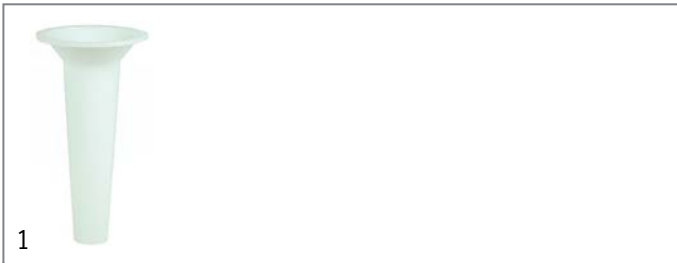
1

Part No.	698090	Ref. No.	F2226
description	funnel model 22 ø 25mm		



1

Part No.	698082	Ref. No.	F2050
description	funnel model 8 ø 15mm		



Part No.	698083	Ref. No.	F2051
description	funnel model 8 ø 20mm		



Part No.	698084	Ref. No.	F0163 F0163-8+F2939
description	funnel model 8 set with ø15mm / ø20mm / ø25mm		

grinder plates
ENTERPRISE
with 1 notch
with hub



Part No.	696117	Ref. No.	F2131/10
description	grinder plate type ENTERPRISE size 12 hole ø 10mm with hub grooves 1 stainless steel ø 70mm		



Part No.	696118	Ref. No.	F2131/12
description	grinder plate type ENTERPRISE size 12 hole ø 12mm with hub grooves 1 stainless steel ø 70mm		



Part No.	696119	Ref. No.	F2131/14
description	grinder plate type ENTERPRISE size 12 hole ø 14mm with hub grooves 1 stainless steel ø 70mm		



Part No.	696120	Ref. No.	F2131/16
description	grinder plate type ENTERPRISE size 12 hole ø 16mm with hub grooves 1 stainless steel ø 70mm		



Part No.	696121	Ref. No.	F2131/18
description	grinder plate type ENTERPRISE size 12 hole ø 18mm with hub grooves 1 stainless steel ø 70mm		



Part No.	696130	Ref. No.	F2219/10
description	grinder plate type ENTERPRISE size 22 hole ø 10mm with hub grooves 1 stainless steel ø 82mm		




1

Part No.	696131	Ref. No.	F2219/12
description	grinder plate type ENTERPRISE size 22 hole \varnothing 12mm with hub grooves 1 stainless steel \varnothing 82mm		



1

Part No.	696135	Ref. No.	F2219/20
description	grinder plate type ENTERPRISE size 22 hole \varnothing 20mm with hub grooves 1 stainless steel \varnothing 82mm		



1

Part No.	696132	Ref. No.	F2219/14
description	grinder plate type ENTERPRISE size 22 hole \varnothing 14mm with hub grooves 1 stainless steel \varnothing 82mm		




1

Part No.	696106	Ref. No.	F2045/10
description	grinder plate type ENTERPRISE size 8 hole \varnothing 10mm with hub grooves 1 stainless steel \varnothing 62mm		



1

Part No.	696133	Ref. No.	F2219/16
description	grinder plate type ENTERPRISE size 22 hole \varnothing 16mm with hub grooves 1 stainless steel \varnothing 82mm		




1

Part No.	696107	Ref. No.	F2045/12
description	grinder plate type ENTERPRISE size 8 hole \varnothing 12mm with hub grooves 1 stainless steel \varnothing 62mm		



1

Part No.	696134	Ref. No.	F2219/18
description	grinder plate type ENTERPRISE size 22 hole \varnothing 18mm with hub grooves 1 stainless steel \varnothing 82mm		



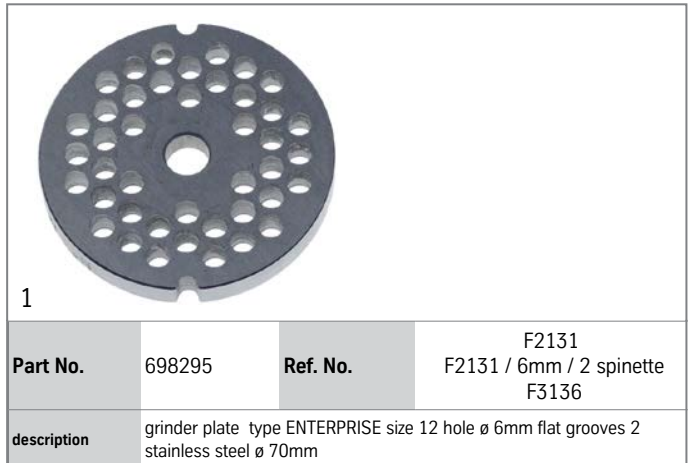
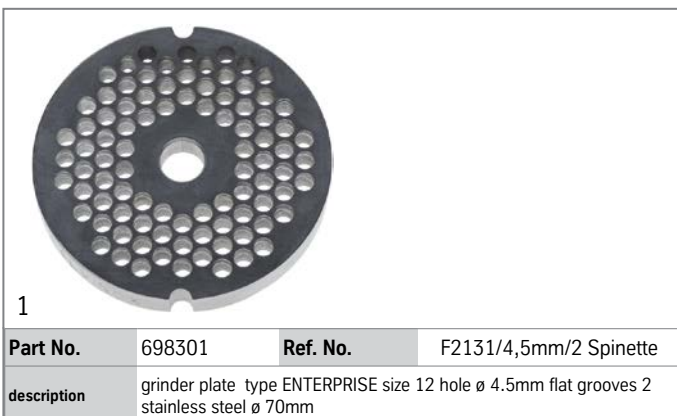
1

Part No.	696108	Ref. No.	F2045/14
description	grinder plate type ENTERPRISE size 8 hole \varnothing 14mm with hub grooves 1 stainless steel \varnothing 62mm		



with 2 notches

flat



with hub






1

Part No.	696113	Ref. No.	F2131/3,5 old
description	grinder plate type ENTERPRISE size 12 hole \varnothing 3.5mm with hub grooves 2 stainless steel \varnothing 70mm		



1

Part No.	696116	Ref. No.	F2131/8
description	grinder plate type ENTERPRISE size 12 hole \varnothing 8mm with hub grooves 2 stainless steel \varnothing 70mm		




1

Part No.	696112	Ref. No.	F2131/3
description	grinder plate type ENTERPRISE size 12 hole \varnothing 3mm with hub grooves 2 stainless steel \varnothing 70mm		



1

Part No.	696124	Ref. No.	F2219/2
description	grinder plate type ENTERPRISE size 22 hole \varnothing 2mm with hub grooves 2 stainless steel \varnothing 82mm		



1

Part No.	696114	Ref. No.	F2131/4,5
description	grinder plate type ENTERPRISE size 12 hole \varnothing 4.5mm with hub grooves 2 stainless steel \varnothing 70mm		



1

Part No.	696126	Ref. No.	2219/3,5
description	grinder plate type ENTERPRISE size 22 hole \varnothing 3.5mm with hub grooves 2 stainless steel \varnothing 82mm		



1

Part No.	696115	Ref. No.	F2131/6
description	grinder plate type ENTERPRISE size 12 hole \varnothing 6mm with hub grooves 2 stainless steel \varnothing 70mm		




1


Part No.	696125	Ref. No.	F2219/3
description	grinder plate type ENTERPRISE size 22 hole \varnothing 3mm with hub grooves 2 stainless steel \varnothing 82mm		




			
1			
Part No.	696127	Ref. No.	F2219/4,5
description	grinder plate type ENTERPRISE size 22 hole ø 4.5mm with hub grooves 2 stainless steel ø 82mm		


			
1			
Part No.	696102	Ref. No.	F2045/3,5
description	grinder plate type ENTERPRISE size 8 hole ø 3.5mm with hub grooves 2 stainless steel ø 62mm		

			
1			
Part No.	696128	Ref. No.	F2219/6
description	grinder plate type ENTERPRISE size 22 hole ø 5.8mm with hub grooves 2 stainless steel ø 82mm		

			
1			
Part No.	696101	Ref. No.	F2045/3
description	grinder plate type ENTERPRISE size 8 hole ø 3mm with hub grooves 2 stainless steel ø 62mm		

			
1			
Part No.	696129	Ref. No.	F2219/8
description	grinder plate type ENTERPRISE size 22 hole ø 8mm with hub grooves 2 stainless steel ø 82mm		

			
1			
Part No.	696103	Ref. No.	F2045/4,5
description	grinder plate type ENTERPRISE size 8 hole ø 4.5mm with hub grooves 2 stainless steel ø 62mm		

			
1			
Part No.	696140	Ref. No.	F0502
description	grinder plate type ENTERPRISE size 32 hole ø 4.5mm with hub grooves 2 stainless steel ø 100mm		

			
1			
Part No.	696104	Ref. No.	F2045/6
description	grinder plate type ENTERPRISE size 8 hole ø 6mm with hub grooves 2 stainless steel ø 62mm		




1


Part No.	696105	Ref. No.	F2045/8
description	grinder plate type ENTERPRISE size 8 hole ø 8mm with hub grooves 2 stainless steel ø 62mm		

UNGER



1

Part No.	696161	Ref. No.	F2234
description	grinder plate type Unger size 12 hole ømm flat grooves 1 stainless steel ø 69.6mm		




1

Part No.	696162	Ref. No.	F2244
description	grinder plate type Unger size 22 hole ømm flat grooves 1 stainless steel ø 81.6mm		

blades

ENTERPRISE




1

Part No.	696022	Ref. No.	F2130
description	knife type ENTERPRISE size 12 ø 62mm internal size 12x12mm stainless steel		
For models:	FTG 127, TG 12		



1

Part No.	696023	Ref. No.	F2218
description	knife type ENTERPRISE size 22 ø 73mm internal size 13x13mm stainless steel		
For models:	TC 22 E		



1

Part No.	696033	Ref. No.	F0503
description	knife type ENTERPRISE size 32 ø 90mm internal size 15x15mm stainless steel		



1


Part No.	696021	Ref. No.	F2044 F2044M
description	knife type ENTERPRISE size 8 ø 55mm internal size 10x10mm stainless steel		

UNGER


with extendable blades

SALVINOX

blades



1

Part No.	696024	Ref. No.	F2235	
description	knife type Unger size R-70 (12) ø 62mm stainless steel with blades			
accessories for	696024			
	Part No.	696025	Ref. No.	F2261
	spare blades type Unger size R-70 (12) stainless steel Qty 9 pcs			



spare blades



1

Part No.	696025	Ref. No.	F2261
description	spare blades type Unger size R-70 (12) stainless steel Qty 9 pcs		

spacer rings



1

Part No.	698068	Ref. No.	F2249
description	spacer ring type Unger size H-82 (22) ø 81.5mm H 18mm		



1

Part No.	698067	Ref. No.	F2259
description	spacer ring type Unger size H-82 (22) ø 81.5mm H 7mm		



1

Part No.	698047	Ref. No.	F2239
description	spacer ring type Unger size R-70 (12) ø 69.5mm H 15mm		

ring nuts



1

Part No.	698049	Ref. No.	F2134
description	ring nut Unger model 12 stainless steel		



1

Part No.	698070	Ref. No.	F2254
description	ring nut Unger model 22 stainless steel thread M94x2		



1

Part No.	698251	Ref. No.	F2046M
description	ring nut ENTERPRISE model 8 nickel-plated aluminium		



1

Part No.	698024	Ref. No.	F2046
description	ring nut model 8 aluminium		



1

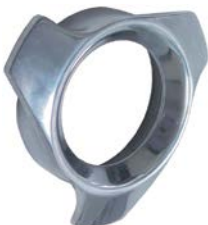
Part No.	698040	Ref. No.	F2133
description	ring nut Unger model 12 ED ø 89mm thickness 27mm ID ø 64mm stainless steel thread M82x2		




1

Part No.	698039	Ref. No.	F2132
description	ring nut Unger model 12 ID ø 78mm aluminium		




 <p>1</p>			
Part No.	698057	Ref. No.	F2220
description	ring nut Unger model 22 ID ø 73mm aluminium		


 <p>1</p>			
Part No.	698058	Ref. No.	F2221
description	ring nut Unger model 22 ID ø 74mm stainless steel thread M94x2		


augers


complete

 <p>1</p>			
Part No.	698037	Ref. No.	F2124 F2124+F2127 F2124PS
description	auger model 12 ø 53mm L 135mm stainless steel with spindle ENTERPRISE		


 <p>1</p>			
Part No.	698035	Ref. No.	F2122 F2122+F2127 F2122PS
description	auger model 12 ø 53mm L 140mm aluminium with spindle ENTERPRISE		


 <p>1</p>			
Part No.	698043	Ref. No.	F2125 F2125+F2128
description	auger model 12 ø 53mm L 145mm cast iron with spindle Unger		

 <p>1</p>			
Part No.	698044	Ref. No.	F2126 F2126+F2129 F2126PU
description	auger model 12 ø 53mm L 145mm stainless steel with spindle Unger		

 <p>1</p>			
Part No.	698036	Ref. No.	F2123 F2123+F2127 F2123PS
description	auger model 12 ø 53mm L 150mm cast iron with spindle ENTERPRISE		


 <p>1</p>			
Part No.	698053	Ref. No.	F2214 F2214+F2217 F2214PS
description	auger model 22 ø 63mm L 150mm aluminium with spindle ENTERPRISE		

 <p>1</p>			
Part No.	698054	Ref. No.	F2215 F2215+F2217 F2215PS
description	auger model 22 ø 63mm L 150mm cast iron with spindle ENTERPRISE		

1

Part No.	698063	Ref. No.	F2242 F2242+F2243 F2242+F2252 F2242PU
description	auger model 22 ø 63mm L 175mm cast iron with spindle Unger		




1

Part No.	698055	Ref. No.	F2216 F2216+F2217 F2216PS
description	auger model 22 ø 64mm L 150mm stainless steel with spindle ENTERPRISE		




1

Part No.	698062	Ref. No.	F2251 F2251+F2252
description	auger model 22 ø 64mm L 175mm stainless steel with spindle Unger		




1

Part No.	698022	Ref. No.	F2042 F2042+F2043
description	auger model 8 ø 44mm L 115mm stainless steel with spindle ENTERPRISE		



1

Part No.	698021	Ref. No.	F2041 F2041+F2043 F2041PS
description	auger model 8 ø 45mm L 117mm aluminium with spindle ENTERPRISE		




1

Part No.	698252	Ref. No.	F2042M+F2043M
description	auger model 8 stainless steel with spindle ENTERPRISE		

augers chambers

outer parts



1

Part No.	698250	Ref. No.	F2039M
description	auger chamber ENTERPRISE model 8 aluminium		



1

Part No.	698243	Ref. No.	F2110 ø 52
description	body ENTERPRISE model 12 inlet ø 52mm aluminium		


inner parts




1

Part No.	698032	Ref. No.	F2117 F2117+F2116
description	auger chamber ENTERPRISE model 12 inlet ø 56mm cast iron		




			
1			
Part No.	698294	Ref. No.	F2119 F2119 2 spinette
description	auger chamber ENTERPRISE model 12 inlet ø 60mm aluminium		


			
1			
Part No.	698041	Ref. No.	F2120 F2120+F2116
description	auger chamber Unger model 12 inlet ø 59mm cast iron		

			
1			
Part No.	698034	Ref. No.	F2118
description	auger chamber ENTERPRISE model 12 inlet ø 61mm stainless steel		



			
1			
Part No.	698042	Ref. No.	F2121
description	auger chamber Unger model 12 stainless steel		

			
1			
Part No.	698050	Ref. No.	F2212
description	auger chamber ENTERPRISE model 22 inlet ø 62mm aluminium		


			
1			
Part No.	698059	Ref. No.	F2240
description	auger chamber Unger model 22 inlet ø 62mm cast iron		

			
1			
Part No.	698051	Ref. No.	F2210 F2210+F2213
description	auger chamber ENTERPRISE model 22 inlet ø 62mm cast iron		

			
1			
Part No.	698061	Ref. No.	F2255 F2255 + F2213
description	auger chamber Unger model 22 inlet ø 62mm cast iron for double-bladed knife		

			
1			
Part No.	698052	Ref. No.	F2211
description	auger chamber ENTERPRISE model 22 inlet ø 62mm stainless steel thread M94x2		
accessories for	698052		
	Part No.	690058	Ref. No. —
	counter support for off-set 19mm mounting distance 14.25mm W 28mm L 52mm H 50mm type 6000/6004 no. 6000-020701		

			
1			
Part No.	698060	Ref. No.	F2250
description	auger chamber Unger model 22 stainless steel		

<p>plungers</p> 			
1			
Part No.	698080	Ref. No.	F2037 F2114 F2208
description	plunger ø 46mm L 120mm total length 240mm plastic hollow		



for cheese graters

lids



1			
Part No.	698017	Ref. No.	F2152
description	lid model 12-22 ø 100mm plastic mounting distance 85mm		
accessories for	698017		
	Part No.	Ref. No.	
	699592	—	
	plug for lid ø 75mm plastic for meat mincer/cheese grater		



1			
Part No.	698010	Ref. No.	F2002
description	lid model 8 ø 78mm plastic mounting distance 70mm		

press levers



1			
Part No.	698012	Ref. No.	F2161
description	press lever Mod.12		



1			
Part No.	698236	Ref. No.	F2162
description	press lever Mod.12-22		

rubbing cylinders

complete



1			
Part No.	698014	Ref. No.	F2156+2xF2155
description	grating cylinder ø 79mm L 155mm ID ø 25mm Mod.12-22		



1			
Part No.	698015	Ref. No.	F2158
description	grating cylinder ø 79mm L 155mm ID ø 25mm stainless steel Mod.12-22		

rubbing cylinders



1			
Part No.	698234	Ref. No.	F2156
description	grating cylinder ø 79mm L 142.2mm ID ø 71mm Mod.12-22		

side parts


1			
Part No.	698008	Ref. No.	F2057
description	grating cylinder		



1

Part No.	698009	Ref. No.	F2055
description	grating cylinder		

1



Part No.	698016	Ref. No.	F2155
description	side panel ID ø 25mm ED ø 71mm W 24mm aluminium Mod.12-22		

grating cylinder housings

1



Part No.	698013	Ref. No.	F2167
description	housing aluminium Mod.12		


gear wheels

1



Part No.	698028	Ref. No.	F2106
description	gear wheel double ø 32/70mm shaft intake ø 15mm W 30mm teeth 18/41 splitting tooth width 14/11mm DIN/ISO Mod.12-22		

1



Part No.	698027	Ref. No.	F2104
description	gear wheel ø 25mm shaft intake ø 10mm teeth 13 splitting tooth width 20mm DIN/ISO Mod.12-22		

1



Part No.	698029	Ref. No.	F2107
description	gear wheel ø 64mm shaft intake ø 16mm teeth 39 splitting tooth width 13mm DIN/ISO Mod.12-22		


miscellaneous

1



Part No.	698011	Ref. No.	F2062 F2160
description	bolt for press lever ø 8mm L 60mm		

1



Part No.	346394	Ref. No.	F2164
description	bush for microswitch ø 8mm D1 ø 22mm		

1



Part No.	346395	Ref. No.	F2163
description	cover for microswitch L 80mm W 60mm H 70mm		



1

Part No.	346892	Ref. No.	F2063+F2064
description	magnet with holder ø 22mm W 20mm hole ø 8mm		

for mozzarella slicers

accessories



1

Part No.	696374	Ref. No.	F2278 F2278+F2275
description	lid ø 179mm H 80mm plastic grey for mozzarella cutter		

for potato peelers

abrasive side elements

grinding discs



1

Part No.	696377	Ref. No.	FCP199
description	grating disc ø 350mm for potato peeler device		

1

Part No.	692286	Ref. No.	FP004
description	peeling disk ø 310mm for potato peeler device		

for planetary mixers

miscellaneous



1

Part No.	699477	Ref. No.	9704230
description	coupling ø 36mm		

for bar blender

blenders

jar components

gaskets



1

Part No.	651007	Ref. No.	C0007F323
description	gasket ED ø 75mm ID ø 55mm thickness 3mm Qty 1 pcs		

holders



1

Part No.	696744	Ref. No.	C0007F321
description	bracket for jar ø 87mm ID ø 74mm		

blades

blades with adaptor (complete)



1

Part No.	696742	Ref. No.	C0007F305
description	slicing unit ø 52mm P100/P102/P103/P105		



actuators

group 2



1

Part No. 651043 **Ref. No.** C0007F308

description mixer coupling ø 28mm H 13mm teeth 8 rubber

mixers

mixer discs



1

Part No. 696747 **Ref. No.** C0007F216

description mixer disc ø 26mm H 28.5mm M6



1

Part No. 696746 **Ref. No.** C0004F213

description mixer disc ø 26mm ID ø 6.2mm 7

for hand blenders

spare parts and accessories



1

Part No. 651051 **Ref. No.** F2524

description coupling male sitck side L 25mm teeth 8 int. ø 1 8x6mm

blender sticks

blender sticks



1

Part No. 699180 **Ref. No.** FM500

description blender stick L 500mm

beaters

beaters



1

Part No. 697763 **Ref. No.** F2435

description whisk ø 90mm L 270mm hole ø 8mm 350/450/650

for citrus juicers

spillage trays



1

Part No. 650268 **Ref. No.** C0007S810

description tray ø 145mm H 78mm

housings



1

Part No. 650269 **Ref. No.** C0007S807

description protective cover ø 205mm H 52mm

juicer insert




1

Part No. 650267 **Ref. No.** C0004S803

description juicer insert for citrus juicers ø 110mm H 48mm




			
1			
Part No.	650266	Ref. No.	C0004S817
description	juicer insert ø 91mm H 64mm mounting pos. upper		

for espresso machines

brewing units


filter holder gaskets

O-rings

			
1			
Part No.	510409	Ref. No.	F2680
description	O-ring EPDM thickness 5.34mm ID ø 56.52mm Qty 1 pcs		

for coffee grinders

support for filter holder

			
1			
Part No.	696745	Ref. No.	C2040131
description	filter holder support L 85mm ø 10mm		

for tilting bratt pans

miscellaneous

			
1			
Part No.	523510	Ref. No.	F2016 F2082
description	deep-groove ball bearing type 6202-2RS shaft ø 15mm ED ø 35mm W 11mm with sealing discs deep-groove ball bearing DIN 625-1		
For models:	TG8, TGI8, TI8, TS8		

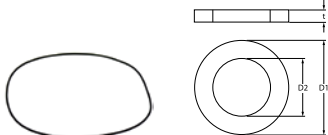
handles and hand wheels


bracket handles


			
1			
Part No.	700725	Ref. No.	FA30G049
description	pull handle L 130mm H 45mm mounting distance 115mm thread M6 W 30mm handle M6		

gaskets

O-rings


EPDM			
			
1			
Part No.	698025	Ref. No.	F2351
description	O-ring EPDM thickness 2mm ID ø 164.5mm Qty 1 pcs		

			
1			
Part No.	532457	Ref. No.	F2186
description	O-ring EPDM thickness 3.53mm ID ø 85.32mm Qty 1 pcs		

			
1			
Part No.	510409	Ref. No.	F2680
description	O-ring EPDM thickness 5.34mm ID ø 56.52mm Qty 1 pcs		

sealing washers


silicone gaskets

			
1			
Part No.	651007	Ref. No.	C0007F323
description	gasket ED ø 75mm ID ø 55mm thickness 3mm Qty 1 pcs		




shaft gaskets

shaft gaskets




1

Part No.	698001	Ref. No.	F0544 F2021
description	shaft seal ID ø 20mm ED ø 35mm thickness 7mm		



1

Part No.	698185	Ref. No.	F0544
description	shaft seal ID ø 20mm ED ø 35mm thickness 7mm		



1

Part No.	698002	Ref. No.	F2101
description	shaft seal ID ø 25mm ED ø 40mm thickness 7mm		

transmission technology and ball bearings

ball bearings

deep-groove ball bearings 2RS



1

Part No.	523534	Ref. No.	F0535
description	deep-groove ball bearing type 6001-2RS shaft ø 12mm ED ø 28mm W 8mm with sealing discs deep-groove ball bearing DIN 625-1		



1

Part No.	523522	Ref. No.	F0533 F0552 F2005 F2010
description	deep-groove ball bearing type 6004-2RS shaft ø 20mm ED ø 42mm W 12mm with sealing discs deep-groove ball bearing DIN 625-1		




1

Part No.	523510	Ref. No.	F2016 F2082
description	deep-groove ball bearing type 6202-2RS shaft ø 15mm ED ø 35mm W 11mm with sealing discs deep-groove ball bearing DIN 625-1		
For models:	TGB, TGB, TIB, TS8		



1

Part No.	523511	Ref. No.	F2103
description	deep-groove ball bearing type 6203-2RS shaft ø 17mm ED ø 40mm W 12mm with sealing discs deep-groove ball bearing DIN 625-1		



1

Part No.	523513	Ref. No.	F0161 F0545 F2171
description	deep-groove ball bearing type 6205-2RS shaft ø 25mm ED ø 52mm W 15mm with sealing discs deep-groove ball bearing DIN 625-1		

deep-groove ball bearings Z



1

Part No.	697842	Ref. No.	F2093
description	deep-groove ball bearing type 6203-Z shaft ø 17mm ED ø 40mm W 12mm DIN 625-1		

deep-groove ball bearings open



1

Part No.	523535	Ref. No.	F0510
description	deep-groove ball bearing shaft ø 20mm ED ø 40mm W 14mm type 16005 DIN 625-1		



thrust ball bearings



1

Part No.	523536	Ref. No.	F0511
description	thrust ball bearing shaft \varnothing 20mm ED \varnothing 40mm W 14mm type 51204 DIN 711		




1

Part No.	698073	Ref. No.	F2169
description	meat collecting tray \varnothing 220mm Lmm Wmm H 90mm		

springs

compression springs



1


Part No.	696748	Ref. No.	C0008CPS056
description	spring \varnothing 19mm L 43mm wire gauge \varnothing 2mm windings 10 steel		

fastening material

screws

cylinder head bolts

DIN 912/ISO 4762




1

Part No.	560326	Ref. No.	F2024M
description	cylinder head bolt thread M5 thread L 14mm WS 4 zinc-coated steel Qty 1 pcs DIN 912/ISO 4762		

kitchen accessories

spillage trays




1

Part No.	698112	Ref. No.	F2047
description	meat collecting tray L 255mm W 195mm H 50mm		

fasteners

retaining rings

DIN 472




1

Part No.	698003	Ref. No.	F2015
description	retaining ring bore \varnothing 35mm thickness 1.5mm steel DIN 472		



1

Part No.	698074	Ref. No.	F2222
description	meat collecting tray L 310mm W 240mm H 50mm		



1

Part No.	698004	Ref. No.	F2108
description	retaining ring bore \varnothing 40mm thickness 1.9mm steel DIN 472		



1

Part No.	698071	Ref. No.	F2069
description	meat collecting tray \varnothing 160mm Lmm Wmm H 60mm		



consumables

lubricants

oils

gear oils



1

Part No.	890285	Ref. No.	N/A
description	gear oil 680 EP for mincer Qty 1l		

GASTROPARTS.COM

