



GASTROPARTS

Blanco

- [EN]** Equipment
- [DE]** Geräte
- [ES]** Aparatos
- [FR]** Équipement
- [IT]** Attrezzature
- [PL]** Urządzenia
- [RU]** Оборудование

✉ gastroparts@gastroparts.com

☎ +48 56 657 00 66

📘 fb.com/gastroparts.global

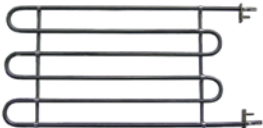
GASTROPARTS.COM





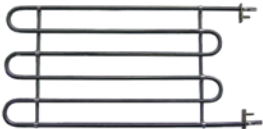
heating elements

heating elements for bain maries



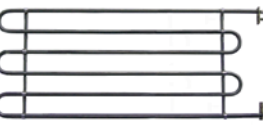
1

Part No.	415587	Ref. No.	105030
description	heating element 1000W 230V L 390mm W 197mm connection male faston 6.3mm dry heating element bracket mounting tube ø 6.3mm heating circuits 1 mounting distance 162mm mounting thread M4 lug length 30mm lug width 16mm		




1

Part No.	415596	Ref. No.	105439
description	heating element 1500W 230V heating circuits 1 L 395mm W 198mm tube ø 6.5mm lug length 31mm lug width 16mm connection length 30mm connection male faston 6.3mm dry heating element bracket mounting hole distance 160mm mounting thread M4		



1


Part No.	415895	Ref. No.	105029
description	heating element 250W 230V L 490mm W 200mm connection male faston 6.3mm dry heating element bracket mounting tube ø 6.5mm heating circuits 1 mounting distance 160mm lug length 30mm lug width 10mm		



1

Part No.	420304	Ref. No.	00105983
description	heating element bain marie 2200W 230V L 395mm W 200mm connection male faston 6.3mm dry heating element tube ø 6.25mm heating circuits 1 connection distance 192mm		


heating elements for plate warmers



1


Part No.	415892	Ref. No.	146753
description	heating element 900W 230V rectangular flange thread L 628mm W 669mm heating circuits 1 connection male faston 6.3mm L1 26mm L2 602mm dry heating element tube ø 6.8mm W1 636mm W2 33mm hole distance 56mm flange length 70mm flange width 15mm hole ø 4mm connection length 40mm		

heating elements for transport containers




1

Part No.	415706	Ref. No.	105700
description	heating element 275W 230V L 399mm W 31mm dry heating element rectangular flange tube ø 6.5mm heating circuits 1 cable length 950mm flange length 40mm flange width 22mm hole ø 5mm connection length 40mm		



1

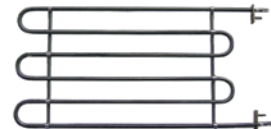
Part No.	415714	Ref. No.	105677
description	heating element 400W 230V L 555mm W 30mm dry heating element rectangular flange cable length 900mm flange length 40mm flange width 22mm connection length 40mm		



1

Part No.	415218	Ref. No.	252477
description	heating element 500W 230V L 440mm W 155mm connection cable dry heating element L1 40mm L2 400mm W1 33mm W2 90mm tube ø 6.5mm heating circuits 1 cable length 180mm		


heating elements for heated trolleys

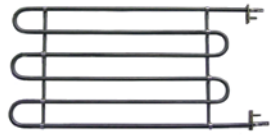


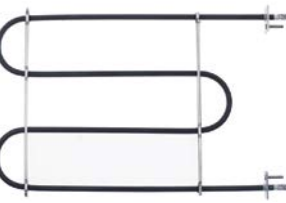
1

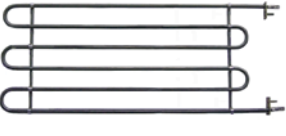
Part No.	415587	Ref. No.	105030
description	heating element 1000W 230V L 390mm W 197mm connection male faston 6.3mm dry heating element bracket mounting tube ø 6.3mm heating circuits 1 mounting distance 162mm mounting thread M4 lug length 30mm lug width 16mm		




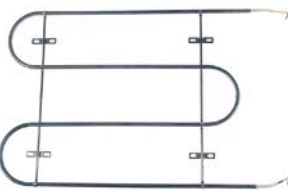
		
1		
Part No.	420298	Ref. No.
		374270
description	heating element 1200W 230V L 650mm W 180mm connection male faston 6.3mm dry heating element bracket mounting tube ø 6.3mm heating circuits 1 hole ø M4mm lug length 36mm lug width 16mm	


		
1		
Part No.	415596	Ref. No.
		105439
description	heating element 1500W 230V heating circuits 1 L 395mm W 198mm tube ø 6.5mm lug length 31mm lug width 16mm connection length 30mm connection male faston 6.3mm dry heating element bracket mounting hole distance 160mm mounting thread M4	

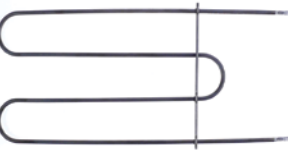
		
1		
Part No.	415894	Ref. No.
		105454
description	heating element 150W 230V L 300mm W 198mm connection male faston 6.3mm dry heating element rectangular flange tube ø 6.5mm heating circuits 1 connection length 26mm mounting thread M4 lug length 30mm lug width 16mm	


		
1		
Part No.	415895	Ref. No.
		105029
description	heating element 250W 230V L 490mm W 200mm connection male faston 6.3mm dry heating element bracket mounting tube ø 6.5mm heating circuits 1 mounting distance 160mm lug length 30mm lug width 10mm	


		
1		
Part No.	418285	Ref. No.
		00105911
description	heating element 275W 230V L 395mm W 35mm connection male faston 6.3mm dry heating element rectangular flange tube ø 6.5mm heating circuits 1 flange length 41mm flange width 22mm hole ø 5mm connection length 35mm	

		
1		
Part No.	418278	Ref. No.
		105793
description	heating element 350W 230V L 422mm W 306mm dry heating element bracket mounting tube ø 6.3mm heating circuits 1 cable length 495mm windings 2 lug length 42mm lug width 10mm	


		
1		
Part No.	418284	Ref. No.
		105794
description	heating element 550W 230V L 422mm W 468mm dry heating element bracket mounting tube ø 6.5mm heating circuits 1 hole distance 27mm cable length 450mm hole ø 5.5mm windings 3 connection length 22mm lug length 42mm lug width 10mm	

		
1		
Part No.	418851	Ref. No.
		105881
description	heating element 700W 230V L 430mm W 200mm connection male faston 6.3mm dry heating element tube ø 6.3mm heating circuits 1 bridge length 215mm connection distance 190mm	


		
1		
Part No.	415910	Ref. No.
		105723
description	heating element 900W 230V L 650mm W 180mm connection male faston 6.3mm dry heating element bracket mounting tube ø 6.3mm heating circuits 1 hole ø M4mm lug length 36mm lug width 16mm	

		
1		
Part No.	420304	Ref. No.
		00105983
description	heating element bain marie 2200W 230V L 395mm W 200mm connection male faston 6.3mm dry heating element tube ø 6.25mm heating circuits 1 connection distance 192mm	







			
1			
Part No.	420303	Ref. No.	00105020
description	heating element bain marie 700W 230V L 400mm W 200mm connection male faston 6.3mm dry heating element tube ø 6.25mm heating circuits 1 connection distance 193mm		

immersion heating elements

			
1			
Part No.	415636	Ref. No.	N/A
description	heating element 2000W 230V L 260mm W 102mm H 45mm L1 50mm L2 210mm thread 1/8" mounting distance 100mm heating circuits 1 connection male faston 6.3mm tube ø 6.3mm 2 hole fixing immersion heater		


heating elements for convection

			
1			
Part No.	419157	Ref. No.	127659
description	heating element 1600W 230V heating circuits 1 ID ø 173mm ED ø 190mm L 250mm H 35mm L1 45mm W1 32mm H2 30mm flange length 70mm flange width 22mm hole distance 56mm connection male faston 6.3mm connection length 55mm tube ø 8.5mm convection heating element rectangular flange		

			
1			
Part No.	415893	Ref. No.	105672 105708
description	heating element 1800W 230V heating circuits 1 ID ø 190mm ED ø 204mm L 216mm H 25mm L1 7mm W1 32mm H1 10mm H2 15mm flange length 70mm flange width 22mm hole distance 56mm connection male faston 6.3mm tube ø 6.5mm convection heating element hole ø 5mm rectangular flange		
spare parts for	415893		
	Part No.	510368	Ref. No. —
	gasket L 70mm W 23.5mm hole ø 5mm hole distance 56mm FIBER thickness 2mm for heating element		
accessories for	415893		
	Part No.	510426	Ref. No. —
	gasket L 72mm W 20mm hole distance 56mm silicone thickness 2mm for heating element		

radiation heaters


1-circuit


			
1			
Part No.	490025	Ref. No.	00117624
description	radiation heater ø 200mm 1700W 230V heating circuits 1 energy regulation with temperature signalization with heating coil connections 2+2 connection type male faston 6.3mm EGO		


thermostats

bi-metal thermostats


safety bi-metal thermostats

			
1			
Part No.	390311	Ref. No.	00105805
description	bi-metal safety thermostat hole distance mm switch-off temp. 135°C 1NC 1-pole 16A connection F6.3 M4		


			
1			
Part No.	375732	Ref. No.	297578
description	bi-metal safety thermostat hole distance mm switch-off temp. 150°C 1NC 1-pole 16A connection F6.3 M4		


			
1			
Part No.	375730	Ref. No.	105803 105804
description	bi-metal safety thermostat switch-off temp. 115°C 1NC 1-pole 16A connection F6.3 M4		


bi-metal thermostats


			
1			
Part No.	390439	Ref. No.	117653
description	bi-metal thermostat hole distance 23.5mm switch-off temp. 70°C 1NC 10A 250V connection F6.3		



			
1			
Part No.	375242	Ref. No.	105751
description	bi-metal thermostat hole distancemm switch-off temp. 92°C 1NC 1-pole 16A connection F6.3 spindle ø3.5mm		

			
1			
Part No.	390104	Ref. No.	105483
description	bi-metal thermostat hole distancemm switch-off temp. 95°C 1NC 1-pole 16A connection F6.3		

			
1			
Part No.	375733	Ref. No.	105733 105773
description	bi-metal thermostat switch-off temp. 63/80°C 2NC 2-pole 16A connection F6.3 spindle ø3.5mm		

			
1			
Part No.	375243	Ref. No.	105754
description	bi-metal thermostat switch-off temp. 80/105°C 2NC 2-pole 16A connection F6.3 spindle ø3.5mm		

control and safety thermostats

EGO

control thermostats

55.14_ series

			
1			
Part No.	375241	Ref. No.	105797
description	thermostat t.max. 130°C temperature range 30-130°C 1-pole 1NO 16A probe ø 6mm probe L 83mm capillary pipe 880mm gland nut shaft ø ø6x4.6mm shaft L 25mm shaft position upper rotation 270°		

			
1			
Part No.	375239	Ref. No.	105795
description	thermostat t.max. 83°C temperature range 30-83°C 1-pole 1NO 16A probe ø 6mm probe L 113mm capillary pipe 1480mm capillary pipe isolated 700mm gland nut shaft ø ø6x4.6mm shaft L 25mm shaft position upper rotation 270° probe material SS		

			
1			
Part No.	375716	Ref. No.	105796
description	thermostat t.max. 95°C temperature range 30-95°C 1-pole 1NO 10A probe ø 6mm probe L 113mm capillary pipe 1480mm capillary pipe isolated 700mm gland nut shaft ø ø6x4.6mm shaft L 25mm shaft position upper rotation 270°		


55.18_ series

			
1			
Part No.	375714	Ref. No.	105883
description	thermostat t.max. 116°C temperature range 35-116°C 1-pole 1NO 16A probe ø 6mm probe L 113mm capillary pipe 1770mm capillary pipe isolated 500mm gland nut shaft ø ø6x4.6mm shaft L 15mm shaft position right rotation 270°		




Part No.	390769	Ref. No.	00105900
description	thermostat t.max. 130°C temperature range 35-130°C 1-pole 1NO 16A probe ø 6mm probe L 113mm capillary pipe 900mm capillary pipe isolated 500mm shaft ø 6x4.6mm shaft L 17mm shaft position right rotation 270°		

55.34_ series




Part No.	375020	Ref. No.	105147
description	thermostat t.max. 110°C temperature range 32-110°C 3-pole capillary pipe isolatedmm gland nut		



Part No.	375715	Ref. No.	105899
description	thermostat t.max. 85°C temperature range 35-85°C 1-pole 1NO 16A probe ø 6mm probe L 113mm capillary pipe 2020mm capillary pipe isolated 500mm gland nut shaft ø 6x4.6mm shaft L 15mm shaft position right rotation 270°		

control thermostats with operation switch

55.13_ series



Part No.	375037	Ref. No.	105127
description	thermostat t.max. 110°C 1-pole capillary pipe isolatedmm gland nut		



Part No.	375729	Ref. No.	00359583
description	thermostat t.max. 95°C temperature range 34-95°C 1-pole 1NO 16A probe ø 6mm probe L 113mm capillary pipe 1470mm capillary pipe isolatedmm gland nut shaft ø 6x4.6mm shaft L 25mm shaft position right rotation 270°		



Part No.	375743	Ref. No.	105126
description	thermostat t.max. 80°C temperature range 30-80°C 1-pole 1NO 16A probe ø 6mm probe L 115mm capillary pipe 1430mm capillary pipe isolatedmm gland nut shaft ø 6x4.6mm shaft L 23mm shaft position upper rotation 270° outer switch 2NO		



various

control thermostats

E·G·O



1

Part No.	376056	Ref. No.	00106380
description	thermostat t.max. 106°C temperature range 35-116°C 1-pole 1NC probe ø 6mm probe L 112mm capillary pipe 1770mm capillary pipe isolated 500mm gland nut shaft ø 6x4.6mm shaft L 15mm shaft position left		



1

Part No.	375761	Ref. No.	105678
description	thermostat t.max. 115°C temperature range 20-115°C 1-pole 1NO 16A probe ø 4mm probe L 120mm capillary pipe 1600mm capillary pipe isolated 130mm gland nut shaft ø 6x4.6mm shaft L 15mm shaft position upper rotation 315°		


switches and momentary switches

rocker/momentary rocker switches

19x13mm



1

Part No.	301069 ¹	Ref. No.	105674	
description	rocker switch mounting measurements 19x13mm green 2NO 250V 13A illuminated 0-I connection male faston 4.8mm protection IP40			
accessories for	301069			
	Part No.	301064	Ref. No.	—
	protective cover for pressure switch external size 23.4x17.4mm internal size 19x13mm H 7.5mm clear mounting measurementsmm			

¹illuminated

30x22mm




1

Part No.	347791	Ref. No.	00106868 406868
description	rocker switch mounting measurements 30x22mm green 2NO 230V 20A illuminated 0-I connection male faston 6.3mm ambient temperature max. 125/55°C protection IP65 with rubber collar		

labelled



1

Part No.	345419	Ref. No.	105778	
description	rocker switch mounting measurements 30x22mm green 2NO 250V 16A illuminated 0-I connection male faston 6.3mm ambient temperature max. 85°C protection IP65 with cover cap			
accessories for	345419			
	Part No.	301036	Ref. No.	—
	protective cover internal size 30x22mm for rocker switch mounting measurementsmm			

push/momentary push switches

30x22mm



1

Part No.	345235 ¹	Ref. No.	105798
description	push switch mounting measurements 30x22mm green 2NO 250V 16A illuminated connection male faston 6.3mm ambient temperature max. 85°C protection IP40		

¹illuminated


1

Part No.	301082	Ref. No.	105912
description	push switch mounting measurements 30x22mm green 2NO 250V 12A connection male faston 6.3mm ambient temperature max. 85/55°C protection IP54 with protective collar		



accessories

gaskets

			
1			
Part No.	550911	Ref. No.	267063
description	gasket for controllers/switches		


lamps

indicator lights

indicator lights (complete)


ø14mm

with plug-in socket

			
1			
Part No.	359148	Ref. No.	105188
description	indicator light ø 14mm green 230V connection male faston 6.3mm temp.-resist. 120°C voltage AC		

ø16mm


with plug-in socket

			
1			
Part No.	359910	Ref. No.	359910
description	indicator light ø 16mm 230V red cable length 200mm cable material silicone wire		

transformers

encapsulated transformers

PMA














			
1			
Part No.	379054	Ref. No.	105791
description	transformer primary 230VAC secondary 12VAC 3VA secondary 0.25A H 40mm L 45mm W 50mm connection screw 50/60Hz type 153/M		

electronic controllers

DIXELL

refrigeration controllers

built-in version

			
1			
Part No.	402144	Ref. No.	00149625
description	electronic controller DIXELL XR60CX -5NOC1 mounting measurements 71x29mm 230V voltage AC NTC/PTC relay outputs 3 NO-20A(8) CO-8A(3) NO-5A(2) NTC/PTC NTC/PTC DI -50 up to +150°C display 3 1/2 digits		
accessories for	402144		
		Part No.	378194 Ref. No. —
		Part No.	378551 Ref. No. —
		Part No.	379052 Ref. No. 105788
		Part No.	379053 Ref. No. —
		Part No.	379057 Ref. No. —
		Part No.	379064 Ref. No. —
		Part No.	379160 Ref. No. —
		Part No.	379161 Ref. No. —
		Part No.	379343 Ref. No. —
		Part No.	379458 Ref. No. —
		Part No.	379782 Ref. No. —
		Part No.	402818 Ref. No. —
			programming key 4K for electronic controller DIXELL



ELIWELL

universal controllers

built-in version



1

Part No.	379559	Ref. No.	105790 106386
description	electronic controller ELIWELL type IC901 mounting measurements 71x29mm 12V voltage AC/DC NTC/PTC relay outputs 1 relay refrigeration front measurements 74x32mm built-in depth 60mm protection IP65 accuracy superior to 0.5% from final value% defr. funct. no -55 up to +150°C display 2½ digit Templn1 yes 15A		
accessories for	379559		
	Part No.	Ref. No.	—
	379053		temperature probe PTC 1kOhm cable PVC probe -50 up to +150°C cable -10 up to 100°C probe ø6x30mm cable length 3m without screw connection 2-wire
	Part No.	Ref. No.	—
	379064		temperature probe PTC 1kOhm cable silicone probe -50 up to +150°C cable -50 up to +180°C probe ø6x40mm cable length 3m without screw connection 2-wire
	Part No.	Ref. No.	—
	379161		temperature probe NTC 10kOhm cable thermoplastic probe -40 up to +110°C cable -40 up to +110°C probe ø6x14mm cable length 3m without screw connection 2-wire
	Part No.	Ref. No.	—
	379782		temperature probe PTC 1kOhm cable thermoplastic probe -50 up to +150°C cable -40 up to +110°C probe ø6x14mm cable length 3m 2-wire resistor 1kOhm



1

Part No.	379562	Ref. No.	106189
description	electronic controller ELIWELL type IC902 mounting measurements 71x29mm 12V voltage AC/DC NTC/PTC relay outputs 1 relay front measurements 74x32mm built-in depth 61mm protection IP65 accuracy superior to 0.5% from final value% defr. funct. no -55 up to +150°C display 2½ digit Templn1 yes 8A		
accessories for	379562		
	Part No.	Ref. No.	105788
	379052		temperature probe PTC 1kOhm cable silicone probe -50 up to +150°C cable -50 up to +180°C probe ø6x40mm cable length 1.5m without screw connection 2-wire
	Part No.	Ref. No.	—
	379064		temperature probe PTC 1kOhm cable silicone probe -50 up to +150°C cable -50 up to +180°C probe ø6x40mm cable length 3m without screw connection 2-wire
	Part No.	Ref. No.	—
	379161		temperature probe NTC 10kOhm cable thermoplastic probe -40 up to +110°C cable -40 up to +110°C probe ø6x14mm cable length 3m without screw connection 2-wire

accessories for	379562		
	Part No.	Ref. No.	—
	379782		temperature probe PTC 1kOhm cable thermoplastic probe -50 up to +150°C cable -40 up to +110°C probe ø6x14mm cable length 3m 2-wire resistor 1kOhm

SHANGFANG

accessories



1

Part No.	379054	Ref. No.	105791
description	transformer primary 230VAC secondary 12VAC 3VA secondary 0.25A H 40mm L 45mm W 50mm connection screw 50/60Hz type 153/M		

probes

universal probes

temperature probes



1

Part No.	379052	Ref. No.	105788
description	temperature probe PTC 1kOhm cable silicone probe -50 up to +150°C cable -50 up to +180°C probe ø6x40mm cable length 1.5m without screw connection 2-wire		

electronics

PCBs



1

Part No.	402968	Ref. No.	00116211
description	control PCB for ceramic stove top L 140mm W 39mm		

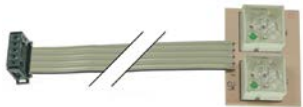


1

Part No.	401387	Ref. No.	105746
description	keypad PCB plate dispenser SHE 21-26		




1



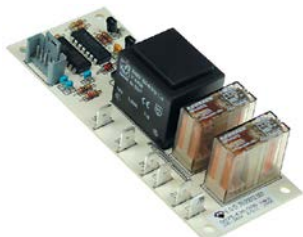
Part No.	401388	Ref. No.	105747
description	keypad PCB plate dispenser SHE 21-26		


1



Part No.	401399	Ref. No.	105771
description	PCB heated trolley BLANCO		

1



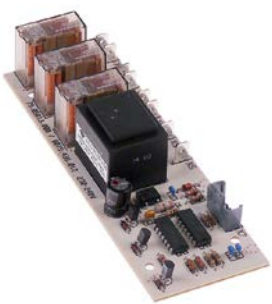
Part No.	401390	Ref. No.	105749
description	PCB plate dispenser SHE 21-26 double		
accessories for	401390		
	Part No.	Ref. No.	105747
	401388		
	keypad PCB plate dispenser SHE 21-26		

1



Part No.	401389	Ref. No.	105748
description	PCB plate dispenser SHE 21-26 single		

1




Part No.	401722	Ref. No.	105770
description	PCB triple		

keypads


front foils

1




Part No.	401402	Ref. No.	146205
description	front foil		

1




Part No.	401403	Ref. No.	146212
description	front foil		

1




Part No.	401395	Ref. No.	146209
description	keypad foil 4-fold		

1




Part No.	401396	Ref. No.	146211
description	keypad foil 6-fold		

1




Part No.	401392	Ref. No.	146207
description	keypad foil double		


1





Part No.	401401	Ref. No.	146533
description	keypad foil double		



1			
Part No.	401405	Ref. No.	146534
description	keypad foil double		

1			
Part No.	401391	Ref. No.	146206
description	keypad foil single		


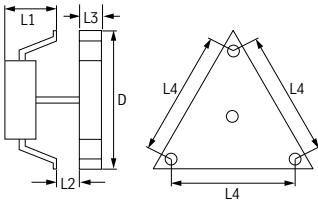
1			
Part No.	401404	Ref. No.	146213
description	keypad foil single		


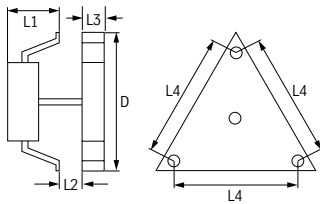
1			
Part No.	401394	Ref. No.	146208
description	keypad foil triple		
For models:	SAW3		


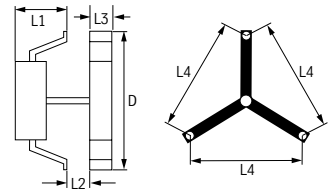
fans

hot air fans



ebm-papst

1			
			
Part No.	601249	Ref. No.	105786
description	hot air fan 230V 32W 0.27A L1 60mm L2 20mm L3 20mm L4 157mm fan wheel ø 150mm ebm-papst type R2K150-AC01-15		

1			
			
Part No.	601267	Ref. No.	106188
description	hot air fan 230V 32W 0.27A L1 60mm L2 50mm L3 20mm L4 157mm fan wheel ø 150mm ebm-papst type R2K150-0020A9		

1			
			
Part No.	601254	Ref. No.	105913
description	hot air fan 230V 32W 0.27A L1 58mm L2 12mm L3 20mm L4 87mm fan wheel ø 150mm type R2A150/0020A7-4218 ebm-papst		

HEIDOLPH

1				
Part No.	601268	Ref. No.	105671	
description	hot air fan 230V 27W L1 80mm L2 5mm L3 30mm L4 120mm fan wheel ø 150mm HEIDOLPH type 113.30.001651C			
spare parts for	601268			
	Part No.	601086	Ref. No.	—
	Thumb screw ø 20mm thickness 10mm thread M4 for hot air fan			



electric accessories

cables

power supply cables



1

Part No.	550553	Ref. No.	00105905
description	medium temperature appliance supply cable CEE7/7 - C15 3-pole contacts P+N+E 1mm ² max. 10A max 250V 2.0m H05VV F T120 insulation PVC countries D/F/B/I black		

spiral cables



1

Part No.	550072	Ref. No.	105328
description	spiral cable plug type 1.5mm ² 3-pole without plug L 480mm expansion 5:1 black		



1

Part No.	550101	Ref. No.	105068 105877
description	spiral cable plug type CEE7/7 type E+F 1.5mm ² 3-pole with plug L 500mm expansion 5:1 countries A/B/D/F/I orange t.max. 70°C		



1

Part No.	550071	Ref. No.	105060 105288 105878 106939
description	spiral cable plug type CEE7/7 type E+F 1.5mm ² 3-pole with plug L 500mm expansion 5:1 countries A/D/I black		

equipment-specific units

for sliding doors

door guides



1

Part No.	700886	Ref. No.	295639
description	guide left		



1

Part No.	700885	Ref. No.	295638
description	guide right		

for food transport carts



1

Part No.	701040	Ref. No.	00146651
description	cover cap for screw plastic H 6mm ID ø 8.8mm ext. ø 11 grey Qty 1 pcs		



1

Part No.	690912	Ref. No.	276880
description	side panel 4-fold W 654mm suitable for BLANCO SAG2/4		



1


Part No.	690913	Ref. No.	276882
description	side panel 6-fold W 654mm suitable for BLANCO SAG3		





1

Part No.	690926	Ref. No.	146414 276875
description	side panel double W 454mm suitable for BLANCO		




1 			
Part No.	690922	Ref. No.	146412 276878
description	side panel double W 654mm suitable for BLANCO SAW2/4		

1 			
Part No.	694458	Ref. No.	00276876
description	side panel mounting pos. handle side W 657mm H 78mm plastic		

1 			
Part No.	690911	Ref. No.	146419
description	side panel neutral W 454mm suitable for BLANCO SAW1		

1 			
Part No.	690906	Ref. No.	146418
description	side panel neutral W 654mm suitable for BLANCO universal		
accessories for	690906		
	Part No.	524435	Ref. No. —
	plate nut hole ø 3mm L 25mm W 11mm		

1 			
Part No.	690921	Ref. No.	276874
description	side panel single W 454mm suitable for BLANCO SAW1		

1 			
Part No.	690927	Ref. No.	276877
description	side panel single W 654mm suitable for BLANCO		



1 			
Part No.	690923	Ref. No.	276879
description	side panel triple W 654mm suitable for BLANCO SAW3		


for dishwashers

miscellaneous

1 			
Part No.	700887	Ref. No.	362587 376895
description	rubber pad		

for plate dispensers

1 			
Part No.	550912	Ref. No.	105142 295377
description	bracket for plug		
accessories for	550912		
	Part No.	550071	Ref. No. 105060 105288 105878 106939
	spiral cable plug type CEE7/7 type E+F 1.5mm ² 3-pole with plug L 500mm expansion 5:1 countries A/D/I black		

1 			
Part No.	694457	Ref. No.	00362428 146577 376900
description	guide for plate dispensers L 790mm W 54mm ø 16mm grey plastic		

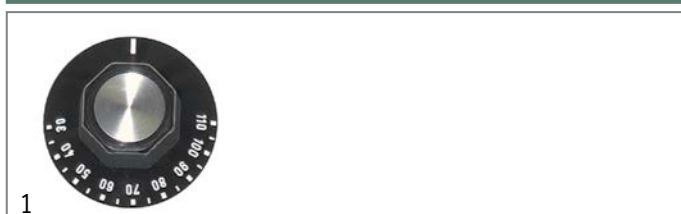


1

Part No.	694453	Ref. No.	00146582 296055
description	lid large for plate dispensers L 367mm W 364mm H 125mm transparent plastic		

knobs

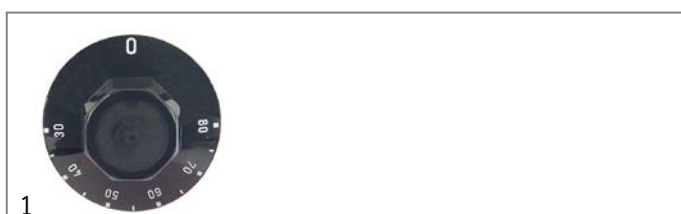
universal knobs



1


Part No.	110119	Ref. No.	105373
description	knob thermostat t.max. 110°C ø 50mm shaft ø 6x4.6mm shaft flat upper black temperature range 30-110°C rotation 270°		

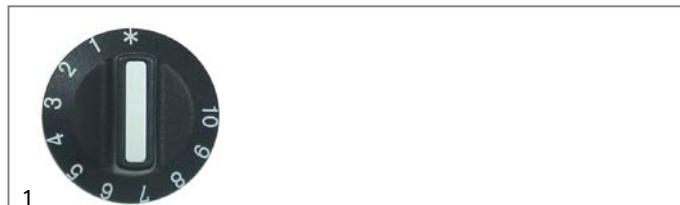
accessories for	110119		
	Part No.	110135	Ref. No. 105121
	rosette knob up to ø 52mm		



1

Part No.	111901	Ref. No.	105372
description	knob thermostat t.max. 80°C ø 50mm shaft ø 6x4.6mm shaft flat upper black temperature range 30-80°C rotation 270°		

accessories for	111901		
	Part No.	110135	Ref. No. 105121
	rosette knob up to ø 52mm		

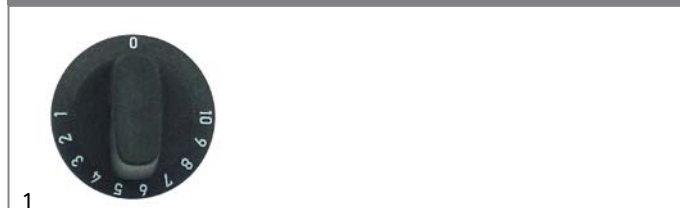


1

Part No.	111874	Ref. No.	292846
description	knob thermostat 1-10 t.max.°C ø 42mm shaft ø 6x4.6mm shaft flat lower black		

producer-specific knobs

BLANCO



1

Part No.	111875	Ref. No.	146654
description	knob thermostat 1-10 t.max.°C ø 28mm shaft ø 6x4.6mm shaft flat lower black		



1

Part No.	111893	Ref. No.	105675
description	knob thermostat 1-10 t.max.°C ø 40mm shaft ø 6x4.6mm shaft flat lower black		




1

Part No.	111874	Ref. No.	292846
description	knob thermostat 1-10 t.max.°C ø 42mm shaft ø 6x4.6mm shaft flat lower black		




1

Part No.	110119	Ref. No.	105373
description	knob thermostat t.max. 110°C ø 50mm shaft ø 6x4.6mm shaft flat upper black temperature range 30-110°C rotation 270°		


accessories for	110119		
	Part No.	110135	Ref. No. 105121
	rosette knob up to ø 52mm		



1




1

Part No.	111901	Ref. No.	105372
description	knob thermostat t.max. 80°C ø 50mm shaft ø 6x4.6mm shaft flat upper black temperature range 30-80°C rotation 270°		
accessories for	111901		
	Part No.	110135	Ref. No. 105121
	rosette knob up to ø 52mm		

accessories


knob adaptors



1

Part No.	692057	Ref. No.	297909
description	knob adaptor shaft ø 5x7mm SS		

rosettes




1

Part No.	110135	Ref. No.	105121
description	rosette knob up to ø 52mm		

handles and hand wheels

cylindrical handles

fixed




1

Part No.	693471	Ref. No.	146202
description	cylindrical handle thread M8 ø 20mm L 36mm		


handle bars

handle bars




1

Part No.	690897	Ref. No.	292297 359998
description	handle rod tube ø 25mm thickness 1.5mm L 362mm SS		



1


Part No.	690932	Ref. No.	252659 299070
description	handle rod tube ø 25mm thickness 1.5mm L 605mm SS		



1


Part No.	690928	Ref. No.	295344
description	handle rod tube ø 25mm thickness 1.5mm L 708mm SS		

consoles




1

Part No.	690925	Ref. No.	144041
description	console for handle rod tube ø 25mm		




1

Part No.	694456	Ref. No.	00362312 00376809
description	console for handle rod tube ø 30mm plastic mounting pos. left Qty 1 pcs		




1

Part No.	694455	Ref. No.	00362311 00376808
description	console for handle rod tube ø 30mm plastic mounting pos. right Qty 1 pcs		


1

Part No.	693465	Ref. No.	00362975 146585
description	console tube ø 25mm		
accessories for	693465		



Part No.	693466	Ref. No.	146587 362977
description	plug for console		

accessories



1

Part No.	693466	Ref. No.	146587 362977
description	plug for console		

handle rails

BLANCO



1

Part No.	690910	Ref. No.	146624 362976
description	handle rail blue		

handle rails



1

Part No.	690910	Ref. No.	146624 362976
description	handle rail blue		

bracket handles




1

Part No.	690904	Ref. No.	00146416
description	pull handle L 155mm H 65mm mounting distance 135mm		
accessories for	690904		



Part No.	690905	Ref. No.	00146417 146417
description	cover for handle		


covers



1

Part No.	690905	Ref. No.	00146417
description	cover for handle		

recessed handles



1

Part No.	697778	Ref. No.	146842
description	recessed handle L 102mm W 88mm H 20mm		



1

Part No.	697899	Ref. No.	00362289 376806
description	recessed handle L 102mm W 88mm H 20mm grey		



miscellaneous



1

Part No.	690941	Ref. No.	127648
description	handle		

locks

locking devices

producer-specific

BLANCO



1

Part No.	690917	Ref. No.	144350
description	key cylinder straight thread M20x1.25 rotation 180° cam length 52mm cam width 23mm		

snap locks

universal



1

Part No.	690903	Ref. No.	144345
description	snap lock L 69mm W 13mm H 20mm mounting distance 57mm complete with door catch nickel-plated brass		

hinges

door bearing



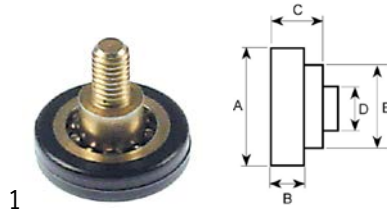
1

Part No.	690940	Ref. No.	292001
description	hinge bearing without bolt		

pullouts

rollers

rollers



1

Part No.	690920	Ref. No.	146285
description	roller rollerø 24mm B1 6mm A 24mm B 6mm C 11.6mm D M6mm E 10mm plastic bearing ball bearing with thread bolt thread M6		

fittings for catering equipment

outlet taps

producer-specific

BLANCO



1

Part No.	520838	Ref. No.	0145632
description	outlet tap L 68mm thread 1/2" ET / 3/4" ET		

STEINCO

with fixing plate


chrome-plated steel




1


Part No.	710024	Ref. No.	146169 146807
description	fixed castor ø 125mm plate fixing housing zinc-plated sheet steel plate size 77x66mm hole distance 60x50mm capacity 100kg bearing ball bearing wheel body polyamide tread 30 H 162mm wheel width 32mm Qty 1 pcs		




			
1			
Part No.	710000	Ref. No.	145058 146162 146164 146805
description	swivel castor ø 125mm plates fixing 77x67mm housing zinc-plated sheet steel plate size 77x66mm hole distance 60x50mm capacity 100kg bearing ball bearing wheel body polyamide tread 30 H 162mm wheel width 32mm Qty 1 pcs		


			
1			
Part No.	700312 ¹	Ref. No.	145059 146150 146155 146157 146806
description	swivel castor with swivel brake ø 125mm plate fixing housing zinc-plated sheet steel plate size 77x66mm hole distance 60x50mm capacity 100kg bearing ball bearing wheel body polyamide tread 30 H 162mm wheel width 32mm Qty 1 pcs		

¹with swivel brake

with spigot			
chrome-plated steel			
			
1			
Part No.	700309	Ref. No.	146802
description	swivel castor ø 125mm spigot housing chrome-plated steel capacity 90kg spigot hight 62mm spigot-ø 22x22mm bearing slide bearing wheel body polyamide tread thermoplastic rubber H 161mm wheel width 32mm Qty 1 pcs		

			
1			
Part No.	700310 ¹	Ref. No.	146803
description	swivel castor with swivel brake ø 125mm spigot housing chrome-plated sheet steel capacity 90kg spigot hight 62mm spigot-ø 22x22mm bearing slide bearing wheel body polyamide tread thermoplastic H 161mm wheel width 32mm Qty 1 pcs		


¹with swivel brake


with thread			
chrome-plated steel			
			
1			
Part No.	700251	Ref. No.	145072
description	swivel castor ø 125mm thread housing chrome-plated steel capacity 90kg thread L 15.5mm thread ø M10mm bearing slide bearing wheel body polypropylene tread thermoplastic H 161mm wheel width 32mm -20 up to +60°C Qty 1 pcs		

			
1			
Part No.	700252 ¹	Ref. No.	145073
description	swivel castor with swivel brake ø 125mm thread housing chrome-plated steel capacity 90kg thread L 15.5mm thread ø M10mm bearing slide bearing wheel body polypropylene tread TPE tyres H 161mm wheel width 32mm -20 up to +60°C Qty 1 pcs		

¹with swivel brake


TENTE


with fixing plate			
chrome-plated steel			
			
1			
Part No.	700257	Ref. No.	144053
description	fixed castor ø 125mm plate fixing housing chrome-plated steel plate size 77x67mm hole distance 56x46mm capacity 100kg bearing slide bearing wheel body polypropylene tread TPE tyres H 160mm wheel width 32mm -20 up to +60°C Qty 1 pcs		

			
1			
Part No.	700256 ¹	Ref. No.	144056
description	swivel castor with swivel brake ø 125mm plates fixing 95x70mm housing zinc-plated sheet steel plate size 95x70mm hole distance 61x51mm capacity 100kg bearing slide bearing wheel body polypropylene tread TPE tyres H 160mm wheel width 32mm -20 up to +60°C Qty 1 pcs		

¹with swivel brake



			
1			
Part No.	700269	Ref. No.	145136
description	fixed castor with pneumatic tyres ø 200mm plate fixing housing chrome-plated sheet steel plate size 137x105mm hole distance 105x80mm capacity 75kg bearing roller bearing wheel body polypropylene tread 40 H 235mm wheel width 50mm Qty 1 pcs		

			
1			
Part No.	700267	Ref. No.	145134
description	swivel castor with pneumatic tyres ø 200mm plate fixing housing chrome-plated sheet steel plate size 137x105mm hole distance 105x80mm capacity 75kg bearing roller bearing wheel body polypropylene tread 40 H 235mm wheel width 50mm Qty 1 pcs		

stainless steel			
			
1			
Part No.	700264 ¹	Ref. No.	145056
description	swivel castor ø 125mm plate fixing housing stainless steel plate size 77x67mm hole distance 61.5x51.5mm capacity 100kg bearing slide bearing wheel body polypropylene tread TPE tyres H 160mm wheel width 32mm -20 up to +60°C Qty 1 pcs		

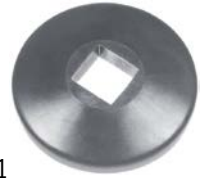
¹hole distance 56x46.5 - 61.5x51

			
1			
Part No.	700265 ^{1,2}	Ref. No.	145057
description	swivel castor ø 125mm plate fixing housing stainless steel plate size 77x67mm hole distance 61.5x51.5mm capacity 100kg bearing slide bearing wheel body polypropylene tread TPE tyres H 160mm wheel width 32mm -20 up to +60°C Qty 1 pcs		

¹with swivel brake ²hole distance 56x46.5 - 61.5x51

miscellaneous


bumper wheels

			
1			
Part No.	690899	Ref. No.	00373605 146822
description	bumper wheel ED ø 100mm ID ø 25x25mm H 24mm PVC grey		

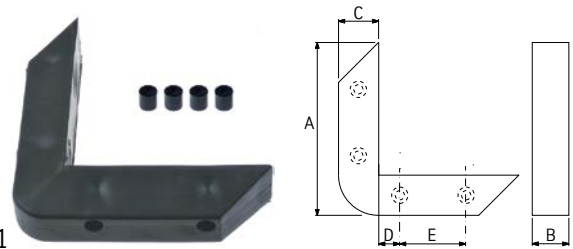

accessories

sleeves

for square pipes


			
1			
Part No.	700250	Ref. No.	144143
description	sleeve suitable for square pipes metal external size 22x22mm		

bumper angles


			
1			
Part No.	690933 ¹	Ref. No.	144651
description	bumper angle outer length 150mm inner length 120mm W 30mm H 35mm mounting distance 64mm hole distance 18mm hole ø 7mm plastic black		
accessories for	690933		
	Part No.	690934	Ref. No.
			146829 146839
	plug for bumper angle ø 11mm L 12mm black Qty 1 pcs		

¹suitable plug 690934





Part No.	690378 ¹	Ref. No.	145429 376812
description	bumper angle outer length 165mm inner length 130mm W 40mm H 30mm mounting distance 50/63mm hole distance 19/32mm hole ø 7mm plastic black		
accessories for	690378		
	Part No.	690902	Ref. No. 146223
	plug for bumper angle ø 10mm L 8mm grey Qty 1 pcs		

¹suitable plug 690902


Part No.	690908 ¹	Ref. No.	127640
description	bumper angle outer length 180mm inner length 150mm W 30.5mm H 30mm mounting distance 80mm hole distance 27mm hole ø 5mm plastic black		
accessories for	690908		
	Part No.	690896	Ref. No. —
	plug for bumper angle ø 10mm L 11mm black Qty 16 pcs		

¹suitable plug 690896


Part No.	690898	Ref. No.	362453
description	bumper angle outer length 174mm inner length 133mm W 40mm H 30mm mounting distance 18mm hole distance 64mm hole ø 5mm plastic blue stuff		
accessories for	690898		
	Part No.	690900	Ref. No. 00362356 362356
	plug for bumper angle ø 11mm L 8mm blue Qty 1 pcs		

Part No.	692438 ¹	Ref. No.	00362395
description	bumper angle outer length 237mm inner length 168mm W 70mm H 38mm mounting distance 64mm hole distance 20mm hole ø 5mm plastic blue		
accessories for	692438		
	Part No.	690900	Ref. No. 00362356 362356
	plug for bumper angle ø 11mm L 8mm blue Qty 1 pcs		

¹suitable plug 690900

Part No.	690153 ¹	Ref. No.	146220
description	bumper angle outer length 175mm inner length 140mm W 35mm H 30mm mounting distance 50mm hole distance 37mm hole ø 7mm plastic black		
accessories for	690153		
	Part No.	690902	Ref. No. 146223
	plug for bumper angle ø 10mm L 8mm grey Qty 1 pcs		


¹suitable plug 690902


Part No.	690924 ¹	Ref. No.	146908
description	bumper angle outer length 237mm inner length 168mm W 70mm H 38mm mounting distance 64mm hole distance 20mm hole ø 5mm plastic grey		
accessories for	690924		
	Part No.	690902	Ref. No. 146223
	plug for bumper angle ø 10mm L 8mm grey Qty 1 pcs		

¹suitable plug 690902

Part No.	690902	Ref. No.	146223
description	plug for bumper angle ø 10mm L 8mm grey Qty 1 pcs		



			
1			
Part No.	690934	Ref. No.	146829 146839
description	plug for bumper angle ø 11mm L 12mm black Qty 1 pcs		

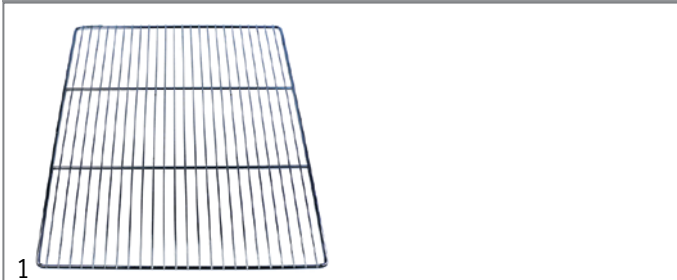
			
1			
Part No.	690900	Ref. No.	00362356
description	plug for bumper angle ø 11mm L 8mm blue Qty 1 pcs		




shelves and shelf rails

grates

universal

without upstand

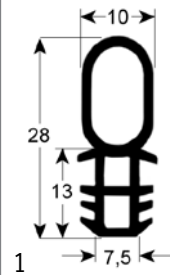


1			
Part No.	970123	Ref. No.	550266
description	grate W 650mm D 530mm GN 2/1 stainless steel wire gauge frame 7.8mm lengthwise wires gauge 3.8mm crossing wires 2 suitable for refrigerator		
accessories for	970123		
	Part No.	690330	Ref. No. —
	rack L 1000mm W 22mm H 4mm aperture 3x8mm hole distance 12.5mm stainless steel		
	Part No.	694700	Ref. No. —
	shelf support L 31/28mm W 22mm H 18mm SS Qty 12 pcs		
	Part No.	694701	Ref. No. —
	shelf support L 31/28mm W 22mm H 17mm SS with hook Qty 12 pcs		

gaskets

gaskets for heated units

door seals



1			
Part No.	902155	Ref. No.	00366567
description	door seal profile 2995 W 373mm L 922mm outer plug size		

sealing washers

fibre gaskets



1			
Part No.	506072	Ref. No.	144017
description	flat gasket fibre ED ø 38mm ID ø 27mm thickness 2mm outflow for thread 1¼" Qty 1 pcs		

special gaskets

miscellaneous



1			
Part No.	550911	Ref. No.	267063
description	gasket for controllers/switches		



1			
Part No.	690907	Ref. No.	146203
description	gasket suitable for BLANCO equiv. no. 0146203 L 1000mm		

springs

compression springs



1			
Part No.	690909	Ref. No.	147251
description	compression spring ø 9mm L 36mm wire gauge ø 1.1mm		



tension springs



Part No.	690151	Ref. No.	00146304
description	tension spring ø 12.9mm total length 147mm wire gauge ø 1.1mm		



Part No.	690150	Ref. No.	00146305
description	tension spring ø 19.4mm total length 148mm wire gauge ø 1.6mm		



Part No.	690152	Ref. No.	146302 146303
description	tension spring ø 26.1mm total length 150mm wire gauge ø 2.1mm		

kitchen accessories

gastronorm

GN containers

SS 18/10 - standard



Part No.	993018	Ref. No.	01550590
description	GN container SS 18/10 size GN 1/1 D 100mm		

accessories for	993018	Part No.	993074	Ref. No.	—
					lid SS 18/10 size GN 1/1 for GN container Dmm



Part No.	993020	Ref. No.	01550064
description	GN container SS 18/10 size GN 1/1 D 40mm		

accessories for	993020	Part No.	993074	Ref. No.	—
					lid SS 18/10 size GN 1/1 for GN container Dmm



Part No.	993019	Ref. No.	1565845
description	GN container SS 18/10 size GN 1/1 D 55mm		

accessories for	993019	Part No.	993074	Ref. No.	—
					lid SS 18/10 size GN 1/1 for GN container Dmm

valves and tank inlets

ball valves

universal

ball valves with lever handle



Part No.	520280	Ref. No.	139861 98215
description	ball valve connection 1/2" IT - 1/2" IT DN15 total length 50mm with lever handle handle length 85mm		

fastening material

screws

sheet metal screws



Part No.	560467	Ref. No.	00070715
description	side bolts ø 5mm L 35mm stainless steel Qty 1 pcs intake Phillips		

flat-headed bolts



Part No.	560228	Ref. No.	081368
description	flat-headed bolt thread M5 thread L 20mm SS DIN 7985/ISO 7045 Qty 1 pcs intake Phillips head ø 10mm head thickness 2mm		



hexagonal screws



1

Part No.	560083	Ref. No.	81166
description	hexagonal screw thread M5 thread L 10mm SS WS 8 Qty 20 pcs DIN 933 / ISO 4017		

nuts

plate nuts



1

Part No.	690997	Ref. No.	83589
description	plate nut hole \varnothing 3.5mm L 20mm W 13mm \varnothing mm		

GASTROPARTS.COM

