



GASTROPARTS

Bake-Off

- [EN]** Equipment
- [DE]** Geräte
- [ES]** Aparatos
- [FR]** Équipement
- [IT]** Attrezzature
- [PL]** Urządzenia
- [RU]** Оборудование

✉ gastroparts@gastroparts.com

☎ +48 56 657 00 66

📘 fb.com/gastroparts.global


GASTROPARTS.COM






heating elements

heating elements for convection




1

Part No.	420228	Ref. No.	373500013
description	heating element 2000W 240V heating circuits 1 ID ø 180mm ED ø 192mm L 246mm H 42mm L1 48mm W1 30mm H1 20mm H2 28mm flange length 70mm flange width 22mm hole distance 56mm connection screw connection length 65mm tube ø 6.25mm convection heating element hole ø 5mm		




1

Part No.	420189	Ref. No.	373500041
description	heating element 208/230W 2535/3100V heating circuits 1 ID ø 220mm ED ø 232mm L 269mm H 60mm L1 34mm W1 61mm H1 23mm H2 37mm flange length 100mm flange width 22mm hole distance 86mm connection male faston 6.3mm tube ø 6.3mm convection heating element hole ø 5mm flange connection		



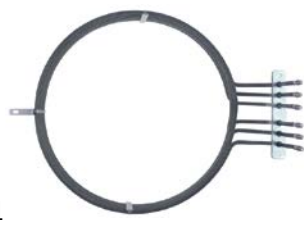
1

Part No.	419149	Ref. No.	373500032
description	heating element 3990W 230V heating circuits 2 ID ø 215mm ED ø 227mm L 245mm H 42mm L1 15mm W1 61mm H1 16mm H2 24mm flange length 100mm flange width 22mm hole distance 86mm connection male faston 6.3mm connection length 79mm tube ø 6.3mm convection heating element hole ø 5mm rectangular flange		



1

Part No.	419163	Ref. No.	373500040
description	heating element 5000W 230V heating circuits 2 ID ø 214mm ED ø 228mm L 245mm H 42mm L1 12mm W1 60mm H1 9mm H2 34mm flange length 100mm flange width 22mm hole distance 86mm connection male faston 6.3mm connection length 62mm tube ø 6.3mm convection heating element hole ø 5mm		



1

Part No.	419150	Ref. No.	373500014 373500015
description	heating element 9000W 220V heating circuits 3 ID ø 316mm ED ø 329mm L 396mm H 83mm L1 66mm W1 103mm H1 18mm H2 65mm flange length 142mm flange width 25mm hole distance 126mm connection M6 connection length 95mm tube ø 6.3mm convection heating element hole ø 5mm rectangular flange		
For models:	5TTR		

thermostats

control and safety thermostats

EGO

safety thermostats

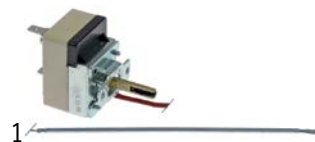
55.31_series



Part No.	375377	Ref. No.	182500021 182500022
description	safety thermostat switch-off temp. 350°C 3-pole 3NC 1x20/2x0.5A probe ø 6mm probe L 157mm capillary pipe 1230mm capillary pipe isolated 1100mm gland nut probe		
For models:	5TTR		

CAEM

control thermostats



Part No.	390790	Ref. No.	182500044
description	thermostat t.max. 300°C temperature range 50-280°C 1-pole 1NO 16A probe ø 3mm probe L 160mm capillary pipe 1450mm capillary pipe isolated 650mm gland nut shaft ø 6x4.6mm shaft L 22mm rotation 270° 250V		



safety thermostats



Part No.	376043	Ref. No.	182500035
description	safety thermostat switch-off temp. 335°C 1-pole 16A probe ø 3mm probe L 180mm capillary pipe 970mm capillary pipe isolated 780mm probe SS		

switches and momentary switches

rocker/momentary rocker switches

30x22mm



Part No.	347662	Ref. No.	167600000
description	momentary rocker switch mounting measurements 30x22mm black 2CO 250V 16A steam connection male faston 6.3mm ambient temperature max. 100/55°C protection IP40		

microswitches

pin-plunger actuated

M10



Part No.	345032	Ref. No.	151600000 151600020
description	microswitch with plunger thread M10x1 thread L 12mm 250V 16A 1CO connection male faston 6.3mm stroke 7mm mounting distance 22mm L 28mm ambient temperature max. 125°C type SP9603 actuating force: 180g		
For models:	5TTR		

lamps

indicator lights

indicator lights (complete)

ø10mm

with plug-in socket



Part No.	359139	Ref. No.	149000000
description	indicator light ø 10mm green 230V connection male faston 6.3mm Qty 1 pcs		

screw-on/push-on fit

halogen lamp

for socket G4 / G6.35 / G9



Part No.	347637	Ref. No.	146600003
description	halogen lamp socket G4 24V 20W temp.-resist. 300°C ø 8mm L 30mm		
For models:	5TTR		

linear lamps

infrared lamps

with base type X lug



Part No.	359617	Ref. No.	146600007
description	infrared lamp 1000W 220V L 365mm lens L 340mm total length 480mm with mounting strap		

oven lamps

universal oven lamps



mounting diameter 35.5mm




Part No.	359705	Ref. No.	166400007	
description	oven lamp glass thr.ø 33.5mm ø 52mm hard glas temp.-resist. 350°C			
accessories for	359705			
	Part No.	359610	Ref. No.	—
	light bulb t.max. 300°C socket E14 15W 230V ø 22mm L 47mm lens L 20mm for oven lamp type Philips			
	Part No.	359700	Ref. No.	—
	gasket for pizza oven fibre glass ID ø 32.5mm ED ø 55mm thickness 5mm			
	Part No.	359721	Ref. No.	—
	gasket silicone ED ø 48mm ID ø 39.5mm thickness 5mm Qty 1 pcs			

Table continues overleaf





accessories for 359705				
	Part No.	359837	Ref. No.	—
gasket ID ø 33mm ED ø 46mm thickness 1mm graphite				
	Part No.	359838	Ref. No.	—
gasket ID ø 33mm ED ø 45mm				

sockets				
G4 / G5,3 / G6,35				
	1			
Part No.	359646	Ref. No.	166400002	
description	lamp socket socket G4/G5.3/G6.35 24V ø 17mm H 15mm connection cable 130mm mounting distance 26mm for halogen lamp holder length 31mm cable length 130mm			
For models:	5TTR, 6TTR			

timers


programme timers

	1			
Part No.	360703	Ref. No.	366900005	
description	timer CDC 8802F1 engines 1 chambers 2 operation time 4min 230V 50Hz shaft ømm shaft Lmm manif. no. 8802F10AGE000.0010 motor type M48R 230V			

	1			
Part No.	360540	Ref. No.	182500028	
description	timer FIBER P25 engines 1 chambers 2 operation time 5min 230V 50/60Hz shaft ø hexagon 6mm shaft L 11mm manif. no. P255JC2H800 motor type M51BJOR0000 for convection oven			

electric timers

with time spread


	1			
Part No.	350154	Ref. No.	183000010 183000015	
description	timer MS65 with bell operation time 120min time spread 30min 2CO/1NO at 250V 16A permanent position yes impulse electric shaft ø 6x4.6mm shaft L 20mm connection lateral Invensys 230V 3-pole			

contactors


GENERAL ELECTRIC (AEG)

power contactors

	1			
Part No.	380337	Ref. No.	182500047	
description	power contactor resistive load 20A 230VAC (AC3/400V) 8.4A/4kW main contacts 4NO auxiliary contacts connection screw connection type AEG LS05 400A type GE MC1A 400A			

	1			
Part No.	381136	Ref. No.	182500042	
description	power contactor resistive load 25A 24VAC (AC3/400V) 12A/5.5kW main contacts 3NO auxiliary contacts 1NO connection screw connection type AEG type GE CL01A310T1			
For models:	5TTR			

auxiliary contacts

	1			
Part No.	380269	Ref. No.	320800007	
description	auxiliary contact contacts 1NC AC15 6A for contactors CL+LS_K connection screw AC-12 10A type AEG HS07K 01 type GE BCLF 01			
For models:	5TTR			



relays

time relays

time relays



1

Part No.	360523	Ref. No.	183000006
description	time relay FIBER E50BM_0100 time range 6s-6h 24-240VAC/24VDC 5A 1CO connection plug-in connection round 8-pole		
For models:	5TTR		

electronic controllers

EVCO - EVERY CONTROL

universal controllers

built-in version



1

Part No.	378282	Ref. No.	182500010
description	electronic controller EVERY CONTROL EVK411 mounting measurements 71x29mm built-in depth 59mm 230V voltage AC TC (J,K) relay outputs 1 CO-16A(8) TC (J,K) yes protection IP65 -100 to +800°C display 4 digits		
accessories for	378282		
	Part No.	Ref. No.	—
	378075		
	temperature probe thermocouple K (NiCr-Ni) cable Vetrotex probe -50 up to 1150°C cable -50 up to +350°C probe ø4.5x150mm cable length 3m without screw connection 2-wire		
	Part No.	Ref. No.	—
	379051		
	temperature probe thermocouple J (Fe-CuNi) cable Vetrotex probe -50 up to +750°C cable -50 up to +350°C probe ø6x100mm cable length 3m without screw connection cable colours red/blue 2-wire		
	Part No.	Ref. No.	—
	379062		
	temperature probe thermocouple J (Fe-CuNi) cable Vetrotex probe -50 up to +750°C cable -50 up to +350°C probe ø6x50mm cable length 3m without screw connection 2-wire		
	Part No.	Ref. No.	—
	379693		
	temperature probe thermocouple J (Fe-CuNi) cable Vetrotex probe 0 up to +350°C cable°C probe ø6x100mm cable length 1.35m without screw connection cable colours red/blue 2-wire		

probes

producer-specific probes

probes



1

Part No.	379807	Ref. No.	179600000
description	temperature probe thermocouple J (Fe-CuNi) cable Vetrotex probe -50 up to +750°C cable -50 up to +350°C connection 2-wire thread probe ø6x85mm cable length 1.5m		
For models:	5TTR		

electronics

PCBs



1

Part No.	401840	Ref. No.	780605046
description	keypad PCB		
For models:	5TTR		

keypads

front foils



1

Part No.	401838	Ref. No.	382000012
description	keypad foil L 300mm W 110mm		
For models:	5TTR		



1

Part No.	401839	Ref. No.	382000051
description	keypad foil L 563mm W 115mm		

1

Part No.	401844	Ref. No.	382000052
description	keypad foil L 563mm W 115mm		

1

Part No.	505299	Ref. No.	382000019
description	keypad foil suitable for convection oven L 300mm W 110mm buttons 19		
For models:	5TTR		

solenoid valves

solenoid valves (water)

RPE

solenoid valves with reducers

single



Part No.	370692	Ref. No.	120800009
description	solenoid valve single straight 220-240VAC inlet 3/4" outlet 11.5mm input 10-12l/min output 0.32-0.42l/min t.max. 60°C duty cycle 100% RPE plastic flow regulating valve outlet green flow regulating valve inlet white 2-ways medium temp max. 25°C		



Part No.	374005	Ref. No.	120800005
description	solenoid valve single straight 24VAC inlet 3/4" outlet 11.5mm input 10-12l/min t.max. 25°C duty cycle 100% RPE plastic flow regulating valve inlet white 7.2VA		
For models:	5TTR		

various



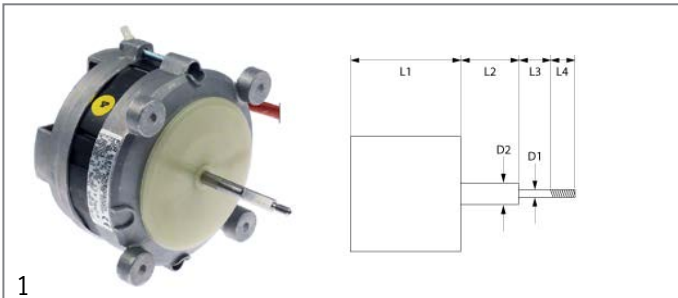
Part No.	370686	Ref. No.	120800014
description	solenoid valve 4-fold 230VAC inlet 3/4" outlet John Guest 10 RPE flow regulating valve inlet white pressure range 0.2-10bar		

fans

hot air motors

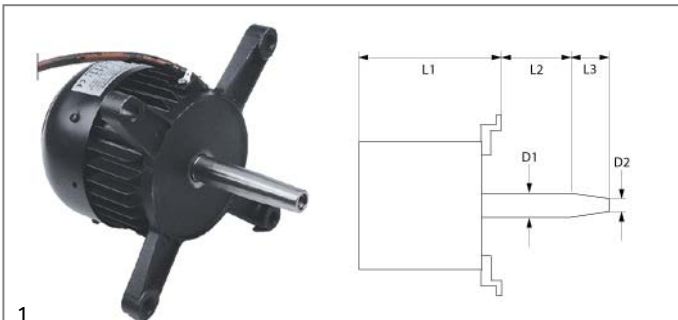


Part No.	602014	Ref. No.	353000022 353000035 753000120 753000122
description	fan motor 208-240V 1 phase 50/60Hz 0.19-0.26/0.34-0.35kW 2800/3450rpm speeds 2 L1 98mm L2 33mm D1 ø 8mm M5 1-1.2/1.7-1.5A type MFA80		

1

Part No.	601784	Ref. No.	353000024 353000030 353000034 353000035
description	fan motor 220/240V 1 phase 50/60Hz 0.18/0.12kW 2750/3300rpm speeds 1 L1 94mm L2 31mm L3 23mm L4 12mm D1 ø 6/8mm D2 ø 8mm M5 Cos(fi) 0.96 at 50Hz 2750rpm at 60Hz 3300rpm suitable capacitor 5µF/450V		



1

Part No.	601770	Ref. No.	353000010
description	fan motor 220-240/380-415V 3 phase 50/60Hz 0.5HP 1400/1600rpm speeds 1 L1 158mm L2 45mm L3 47mm D1 ø 24mm D2 ø 20mm M12L IT at 50Hz 1400rpm at 60Hz 1600rpm type 1088.4354		
For models:	5TTR, 6TTR		



1

Part No.	601799	Ref. No.	391500007 391500015
description	fan wheel D1 ø 197mm H1 43mm blades 45 D2 ø 8mm D3 ø 8mm H2 25mm		



1

Part No.	601781	Ref. No.	391500011 391500016
description	fan wheel D1 ø 198mm H1 61mm blades 45 D2 ø 8mm D3 ø 8x6.8mm H2 14.5mm		




1

Part No.	601785	Ref. No.	391500013
description	fan wheel D1 ø 240mm H1 61mm blades 55 D2 ø 8mm D3 ø 8x6.5mm H2 20mm		

ignition parts

ignition units




1

Part No.	103334	Ref. No.	184507050
description			

equipment-specific units

for convection ovens/combi-steamers


spare parts and accessories



1

Part No.	692107	Ref. No.	743600000 743600010
description	mounting set for glass plate 6-fold		
For models:	5TTR		


glass panels



1

Part No.	692056	Ref. No.	391505401
description	glass panel L 721mm W 591mm thickness 5mm mounting pos. outer		
For models:	5TTR		



			
1			
Part No.	692055	Ref. No.	391505400 391505400+743600000 391505400+743600010
description	glass panel L 770mm W 564mm thickness 6mm mounting pos. inner		
For models:	5TTR		




locks

turning lever locks




universal

RAHRBACH

			
1			
Part No.	690500	Ref. No.	311506500 751606500
description	handle latch right L 185mm H 66mm handle material plastic type 6300 series		
For models:	6TTR		
spare parts for	690500		
	Part No.	699841	Ref. No. —
	cover cap for turning lever lock ø 32mm H 14mm		
accessories for	690500		
	Part No.	514281	Ref. No. —
	base plate L 110mm W 35mm for door catch thickness 10mm		
	Part No.	690136	Ref. No. —
	sliding plate mounting pos. right L 28mm H 3mm W 21mm H2 12.5mm		
	Part No.	691174	Ref. No. —
	counterpart L 90mm W 60mm for door latch		
	Part No.	700091	Ref. No. —
	door catch mounting pos. right off-set 20mm L 110mm H 56mm W 33mm mounting distance 68/68mm zinc die cast series 6300		
	Part No.	700098	Ref. No. 355606500
	door catch mounting pos. right off-set 38mm L 110mm H 74mm W 33mm mounting distance 68/68mm series 1750		

			
1			
Part No.	700098	Ref. No.	355606500
description	door catch mounting pos. right off-set 38mm L 110mm H 74mm W 33mm mounting distance 68/68mm series 1750		
For models:	6TTR		
spare parts for	700098		
	Part No.	690136	Ref. No. —
	sliding plate mounting pos. right L 28mm H 3mm W 21mm H2 12.5mm		
accessories for	700098		
	Part No.	514281	Ref. No. —
	base plate L 110mm W 35mm for door catch thickness 10mm		

STUV








			
1			
Part No.	700098	Ref. No.	355606500
description	door catch mounting pos. right off-set 38mm L 110mm H 74mm W 33mm mounting distance 68/68mm series 1750		
For models:	6TTR		
spare parts for	700098		
	Part No.	690136	Ref. No. —
	sliding plate mounting pos. right L 28mm H 3mm W 21mm H2 12.5mm		
accessories for	700098		
	Part No.	514281	Ref. No. —
	base plate L 110mm W 35mm for door catch thickness 10mm		

producer-specific

BAKE OFF

			
1			
Part No.	700098	Ref. No.	355606500
description	door catch mounting pos. right off-set 38mm L 110mm H 74mm W 33mm mounting distance 68/68mm series 1750		
For models:	6TTR		
spare parts for	700098		
	Part No.	690136	Ref. No. —
	sliding plate mounting pos. right L 28mm H 3mm W 21mm H2 12.5mm		
accessories for	700098		
	Part No.	514281	Ref. No. —
	base plate L 110mm W 35mm for door catch thickness 10mm		



			
1			
Part No.	690500	Ref. No.	311506500 751606500
description	handle latch right L 185mm H 66mm handle material plastic type 6300 series		
For models:	6TTR		
spare parts for	690500		
	Part No.	699841	Ref. No. —
	cover cap for turning lever lock ø 32mm H 14mm		
accessories for	690500		
	Part No.	514281	Ref. No. —
	base plate L 110mm W 35mm for door catch thickness 10mm		
	Part No.	690136	Ref. No. —
	sliding plate mounting pos. right L 28mm H 3mm W 21mm H2 12.5mm		
	Part No.	691174	Ref. No. —
	counterpart L 90mm W 60mm for door latch		
	Part No.	700091	Ref. No. —
	door catch mounting pos. right off-set 20mm L 110mm H 56mm W 33mm mounting distance 68/68mm zinc die cast series 6300		
	Part No.	700098	Ref. No. 355606500
	door catch mounting pos. right off-set 38mm L 110mm H 74mm W 33mm mounting distance 68/68mm series 1750		

handle latches

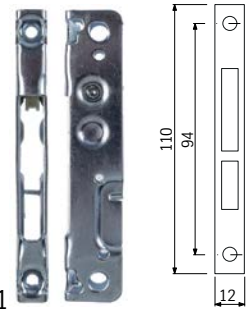
producer-specific


BAKE OFF

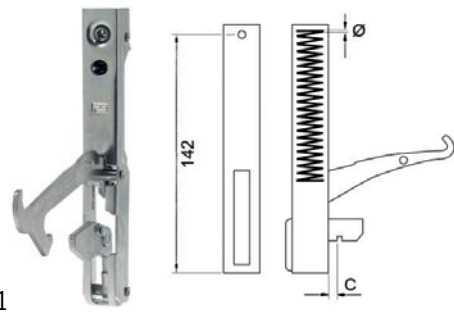

			
1			
Part No.	691839	Ref. No.	743600002
description	door catch kit		
For models:	5TTR		

hinges

oven hinges

			
1			
Part No.	693045	Ref. No.	36640005
description	opposite support L 110mm W 12mm mounting distance 94mm		

			
1			
Part No.	701123	Ref. No.	311000006 41013970
description	oven hinge mounting distance 142mm lever length 117mm groove distance 7mm spring thickness 3.7mm spring length 58mm L 156mm W 22mm		

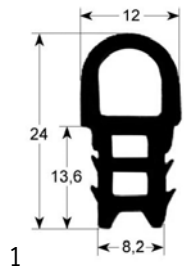
			
1			
Part No.	700459	Ref. No.	311000005
description	oven hinge mounting distance 142mm mounting distance 2mm lug mountingmm lever length 117mm groove distance 7mm spring thickness 3.5mm mounting ear position spring length 58mm L 156mm W 22mm		
accessories for	700459		
	Part No.	693045	Ref. No. 36640005
	opposite support L 110mm W 12mm mounting distance 94mm		



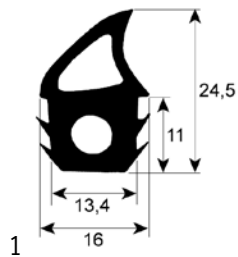
gaskets

gaskets for heated units

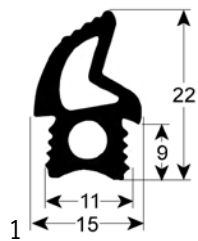
door seals



Part No.	900171	Ref. No.	331800008
description	door seal profile 2050 external size Qty supplied by meter		
For models:	5TTR		



Part No.	900901	Ref. No.	331800011
description	door seal profile 2746 Qty supplied by meter		
For models:	6TTR		

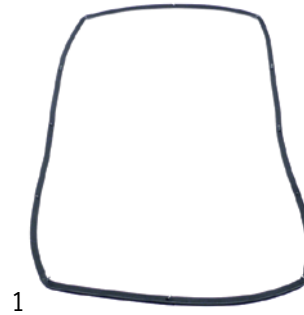


Part No.	901500	Ref. No.	331800003 331800015
description	door seal profile 2769 L 7000mm		



Part No.	900805	Ref. No.	N/A
description	door seal profile 2769 Qty supplied by meter		

door seals with fixing hook



Part No.	901503	Ref. No.	331800006
description	door seal L 650mm W 340mm 4-sided with 12 mounting clips		

GASTROPARTS.COM

