



**GASTROPARTS**

# Aurora

- [EN]** Equipment
- [DE]** Geräte
- [ES]** Aparatos
- [FR]** Équipement
- [IT]** Attrezzature
- [PL]** Urządzenia
- [RU]** Оборудование

✉ [gastroparts@gastroparts.com](mailto:gastroparts@gastroparts.com)

☎ +48 56 657 00 66

📘 [fb.com/gastroparts.global](https://fb.com/gastroparts.global)


**GASTROPARTS.COM**








## heating elements




### heating elements for coffee machine


			
1			
<b>Part No.</b>	417262	<b>Ref. No.</b>	000644.F
<b>description</b>	heating element 2000W 230/400V heating circuits 3 mounting ø 39mm hole distance 58mm L 178mm W 33mm H 33mm hole ø 10mm length thermostat sleeves 140mm thermostat sleeves ø 5mm number of thermostat sleeves 1 thermostat sleeve eccentric, non clinging tube ø 8mm connection 2.5 210 3 hole flange		
<b>For models:</b>	Alexia, C		


			
1			
<b>Part No.</b>	417055	<b>Ref. No.</b>	000644
<b>description</b>	heating element 2000W 230V heating circuits 2 hole distance 54mm L 215mm W 38mm H 58mm L1 20mm L2 40mm L3 175mm H1 33mm H2 26mm hole ø 9mm tube ø 8mm connection M6 immersion heater 4 hole flange		


			
1			
<b>Part No.</b>	417211	<b>Ref. No.</b>	N/A
<b>description</b>	heating element 2000W 230V heating circuits 2 mounting ø 42.5mm hole distance 40mm L 167mm W 33mm H 52mm L1 2mm L2 40mm L3 107mm H1 25mm H2 27mm hole ø 10mm connection M6 immersion heater 4 hole flange		

			
1			
<b>Part No.</b>	417056	<b>Ref. No.</b>	N/A
<b>description</b>	heating element 2500W 230V heating circuits 2 hole distance 54mm L 328mm W 37mm H 56mm L1 25mm L2 35mm L3 263mm H1 26mm H2 26mm hole ø 10mm connection M6x1 immersion heater 4 hole flange		

			
1			
<b>Part No.</b>	417058	<b>Ref. No.</b>	N/A
<b>description</b>	heating element 2500W 230V heating circuits 2 thread 1¼" L 330mm W 38mm H 22mm tube ø 8mm connection M5 immersion heater flange with thread WS 40		
<b>spare parts for</b>	417058		
	<b>Part No.</b>	<b>Ref. No.</b>	—
	510405		
<b>description</b>	flat gasket fibre ED ø 56mm ID ø 42mm thickness 2mm for thread 1¼" Qty 1 pcs		
<b>accessories for</b>	417058		
	<b>Part No.</b>	<b>Ref. No.</b>	—
	528021		
<b>description</b>	flat gasket PTFE ED ø 53mm ID ø 42.5mm thickness 3mm Qty 1 pcs equiv. no. 12001/02286 suitable for Astoria/Aurora/Brasilia/Wega		


			
1			
<b>Part No.</b>	417263	<b>Ref. No.</b>	000645.F
<b>description</b>	heating element 3000W 230/400V heating circuits 3 mounting ø 39mm hole distance 58mm L 305mm W 33mm H 33mm hole ø 10mm length thermostat sleeves 148mm thermostat sleeves ø 5mm number of thermostat sleeves 1 thermostat sleeve eccentric, non clinging tube ø 8mm connection M3 immersion heater 3 hole flange		
<b>For models:</b>	Alexia, C		

			
1			
<b>Part No.</b>	417091	<b>Ref. No.</b>	N/A
<b>description</b>	heating element 4000W 230V heating circuits 2 hole distance 53mm L 455mm W 39mm H 58mm L1 30mm L2 50mm L3 380mm H1 26mm H2 32mm hole ø 9mm tube ø 8mm connection M6 immersion heater 4 hole flange		


			
1			
<b>Part No.</b>	417264	<b>Ref. No.</b>	000646.F
<b>description</b>	heating element 6000W 230/400V heating circuits 3 mounting ø 39mm hole distance 58mm L 520mm W 33mm H 33mm hole ø 10mm length thermostat sleeves 146mm thermostat sleeves ø 5mm number of thermostat sleeves 1 thermostat sleeve eccentric, non clinging tube ø 8mm connection M3 immersion heater 3 hole flange		
<b>For models:</b>	Alexia, C		


### accessories

#### hexagonal nuts

			
1			
<b>Part No.</b>	361184	<b>Ref. No.</b>	521381
<b>description</b>	nut thread 1/2" H 6mm nickel-plated brass WS 24 Qty 1 pcs		
<b>For models:</b>	C		

#### flange gaskets

			
1			
<b>Part No.</b>	528740	<b>Ref. No.</b>	000308.F
<b>description</b>	gasket ID ø 44mm PTFE thickness 3.5mm hole ø 9.5mm hole distance 58mm suitable for ITALCREM, VISACREM for heating element coffee machine parts		
<b>For models:</b>	Alexia, C		

			
1			
<b>Part No.</b>	528020	<b>Ref. No.</b>	000306.A N/A
<b>description</b>	gasket fibre D1 ø 56mm D2 ø 95mm thickness 2mm hole ø 10mm hole distance 54mm		



## thermostats

## bi-metal thermostats

## safety bi-metal thermostats



1

<b>Part No.</b>	390852	<b>Ref. No.</b>	05.1700.10.20
<b>description</b>	bi-metal safety thermostat hole distance 39-44mm switch-off temp. 135°C 2NC 2-pole 16A connection F6.3		
<b>For models:</b>	Alexia, C		



1

<b>Part No.</b>	390688	<b>Ref. No.</b>	05.1700.10.20 old
<b>description</b>	bi-metal safety thermostat hole distance 39mm switch-off temp. 130°C 2NC 2-pole 10A connection male faston 3.2mm mounting ø 31mm		

## electronics

## PCBs



1

<b>Part No.</b>	402248	<b>Ref. No.</b>	550.9.5.13.41
<b>description</b>	display coffee machine L 80mm W 36mm		
<b>For models:</b>	Alexia		

## central units



1

<b>Part No.</b>	402250	<b>Ref. No.</b>	550.9.5.25.32
<b>description</b>	central unit 3 groups for coffee machine 230V 50/60Hz type 3d5 MAESTRO 3GRCTD voltage AC		
<b>For models:</b>	Alexia		

## dosing electronics

## GICAR



1

<b>Part No.</b>	402247	<b>Ref. No.</b>	88.1.13.01
<b>description</b>	dosing electronics with level controller 250V voltage AC 50/60Hz 3/3/3/8A type ET30 Plus EM 2GRC		
<b>For models:</b>	C		

## keypads

## keypad units



1

<b>Part No.</b>	402702	<b>Ref. No.</b>	88 1.22.02
<b>description</b>	keypad unit buttons 5 lighting LED		
<b>For models:</b>	C		



1

<b>Part No.</b>	402251	<b>Ref. No.</b>	550.9.9.08.55
<b>description</b>	keypad unit buttons 6 L 113mm W 35.5mm with LED		
<b>For models:</b>	Alexia		

## solenoid valves



## Solenoid valve - accessories




1

<b>Part No.</b>	525765	<b>Ref. No.</b>	000187
<b>description</b>	mounting plate for solenoid valve		



			
1			
<b>Part No.</b>	528952	<b>Ref. No.</b>	000187old
<b>description</b>	mounting plate for solenoid valve		
<b>accessories for</b>	528952		
	<b>Part No.</b>	528954	<b>Ref. No.</b>
			—
			
	nozzle hole ø 0.8mm thread M6 thread L 6mm brass		

## electrodes

			
1			
<b>Part No.</b>	401157	<b>Ref. No.</b>	000436
<b>description</b>	level electrode 1/4" total length 150mm probe L 122mm insulated probe length 26mm connection male faston 6.3mm stainless steel ø 2.5mm		
<b>For models:</b>	Alexia, C		

## equipment-specific units

### for espresso machines

#### filter holders

##### filter holders standard

##### filter holder without spout

			
1			
<b>Part No.</b>	525984	<b>Ref. No.</b>	N/A
<b>description</b>	filter holder suitable for AURORA/BRASILIA/FAEMA without outlet mounting ø 82.5mm outlet 3/8" ID ø 62mm wedge height 10.5mm wedge position horizontal number of wedges 2 lever straight		

##### filter holders short

			
1			
<b>Part No.</b>	525776	<b>Ref. No.</b>	000047 000047.57
<b>description</b>	filter holder mounting ø 82.8mm outlet 3/8" ID ø 61.5mm handle M12x1.75 wedge height 9.7mm wedge position horizontal number of wedges 2 lever inclined chrome-plated brass		
<b>For models:</b>	Alexia, C		

#### filters


##### for 1 cup


			
1			
<b>Part No.</b>	527631	<b>Ref. No.</b>	N/A
<b>description</b>	coffee filter ø 70mm mounting ø 60.7mm H 17mm cups 1 amount of coffee 8g		


#### brewing units

##### shower screens

##### with upstand and central hole

			
1			
<b>Part No.</b>		<b>Ref. No.</b>	000182
<b>description</b>	shower screen ø 56.5mm H 6.3mm hole ø 5.6mm		

			
1			
<b>Part No.</b>	529031	<b>Ref. No.</b>	000182
<b>description</b>	shower screen ø 56.7mm H 6.1mm hole ø 5.5mm		
<b>For models:</b>	Alexia, C		

			
1			
<b>Part No.</b>	529092	<b>Ref. No.</b>	N/A
<b>description</b>	shower screen ø 56.7mm H 6mm hole ø 7.1mm		

#### filter holder gaskets

##### flat

##### with external notch

			
1			
<b>Part No.</b>	528049	<b>Ref. No.</b>	N/A
<b>description</b>	filter holder gasket D1 ø 72mm D2 ø 56.5mm H 9mm with outside notch Qty 1 pcs		



## standard



1

<b>Part No.</b>	525775	<b>Ref. No.</b>	000177
<b>description</b>	filter holder gasket D1 ø 72mm D2 ø 56.5mm H 8.8mm with outside notch Qty 1 pcs		
<b>For models:</b>	Alexia, C		

## brewing units with solenoid valve

## pipes



1

<b>Part No.</b>	526079	<b>Ref. No.</b>	800643
<b>description</b>	drain pipe for solenoid valve ø 6mm L 255mm copper		
<b>For models:</b>	Alexia, C		



1

<b>Part No.</b>	526081	<b>Ref. No.</b>	800637
<b>description</b>	injection pipe ø 6mm ID ø 4mm L 200mm T1: 1/8"		
<b>For models:</b>	Alexia, C		

## components

## nozzles

## bushes



1

<b>Part No.</b>	528321	<b>Ref. No.</b>	000178
<b>description</b>	filter support D1 ø 13mm ID ø 5mm int. ø 1 11mm H 9mm brass		
<b>For models:</b>	Alexia, C		

## with thread



1

<b>Part No.</b>	528486	<b>Ref. No.</b>	000184
<b>description</b>	nozzle bore ø 0.7mm thread M6x0.75 L 9mm WS 7		
<b>For models:</b>	Alexia, C		

## water dispersions

## water dispersions

## group 2



1

<b>Part No.</b>	525767	<b>Ref. No.</b>	000183
<b>description</b>	water distributor ø 30mm H 13mm ET M10x1 IT M5 grooves 6 2.5mm brass		
<b>For models:</b>	Alexia, C		

## safety valves

## gaskets



1

<b>Part No.</b>	526078	<b>Ref. No.</b>	000360
<b>description</b>	gasket D1 ø 15mm thickness 4mm Viton for safety valve		
<b>For models:</b>	Alexia, C		

## springs



1

<b>Part No.</b>	526077	<b>Ref. No.</b>	000361
<b>description</b>	compression spring ø 7mm L 26mm wire gauge ø 0.8mm for safety valve		
<b>For models:</b>	Alexia, C		

## steam/water taps

## steam/water taps

## steam/water taps



1

<b>Part No.</b>	526074	<b>Ref. No.</b>	407.800515
<b>description</b>	steam/water tap inlet 1/4" outlet 3/8" brass		
<b>For models:</b>	Alexia, C		
<b>accessories for</b>	526074		



<b>Part No.</b>	111318	<b>Ref. No.</b>	—
-----------------	--------	-----------------	---

knob ø 50mm thread Tr18x2 black



<b>Part No.</b>	361184	<b>Ref. No.</b>	521381
-----------------	--------	-----------------	--------

nut thread 1/2" H 6mm nickel-plated brass WS 24 Qty 1 pcs



steam taps

steam taps (complete)



1

<b>Part No.</b>	525491	<b>Ref. No.</b>	N/A
<b>description</b>	steam tap complete with handle inlet 1/4" brass pipe SS pipe length 180mm tube ø 10mm		



1

<b>Part No.</b>	525492	<b>Ref. No.</b>	N/A
<b>description</b>	water pipe complete with handle inlet 1/4" brass pipe SS pipe length 100mm tube ø 10mm		

miscellaneous



1

<b>Part No.</b>	111279	<b>Ref. No.</b>	B-MC-0058
<b>description</b>	knob spring ø 29mm L 5mm wire gauge ø 1.1mm		
<b>For models:</b>	Alexia		

components

bushes



1

<b>Part No.</b>	526010	<b>Ref. No.</b>	521013
<b>description</b>	bush steam/water tap D1 ø 10.5mm D2 ø 9mm ID ø 6.3mm H 4.6mm brass		
<b>For models:</b>	Alexia, C		

**accessories for** 526010

<b>Part No.</b>	526005	<b>Ref. No.</b>	—
<b>description</b>	shaft steam tap ø 14.8mm L 92.5mm thread M6 brass		



1

<b>Part No.</b>	526023	<b>Ref. No.</b>	521112
<b>description</b>	bush steam/water tap D1 ø 12mm D2 ø 8.5mm ID ø 7mm H 6mm brass		
<b>For models:</b>	Alexia, C		

gaskets



1

<b>Part No.</b>	527970	<b>Ref. No.</b>	000049
<b>description</b>	flat gasket PTFE ED ø 24mm ID ø 18mm thickness 2mm Qty 1 pcs		
<b>For models:</b>	Alexia		



1

<b>Part No.</b>	526080	<b>Ref. No.</b>	521106
<b>description</b>	gasket D1 ø 12.5mm thickness 6.6mm silicone with notch		
<b>For models:</b>	Alexia, C		



1

<b>Part No.</b>	525774	<b>Ref. No.</b>	000213
<b>description</b>	gasket D1 ø 16mm ID ø 4mm thickness 4mm		

springs



1

<b>Part No.</b>	111279	<b>Ref. No.</b>	B-MC-0058
<b>description</b>	knob spring ø 29mm L 5mm wire gauge ø 1.1mm		
<b>For models:</b>	Alexia		



1

<b>Part No.</b>	526024	<b>Ref. No.</b>	521014
<b>description</b>	spring ø 10.3mm L 31mm wire gauge ø 1.2mm		
<b>For models:</b>	Alexia, C		



1

<b>Part No.</b>	526025	<b>Ref. No.</b>	521019
<b>description</b>	spring ø 12mm L 16mm wire gauge ø 1.45mm		
<b>For models:</b>	Alexia, C		



## tap bodies



1

<b>Part No.</b>	526073	<b>Ref. No.</b>	521107
<b>description</b>	tap body T1: 1/4" T2: 3/8" T3: M16x1 IT L 35mm		
<b>For models:</b>	Alexia, C		

## washers



1

<b>Part No.</b>	560382	<b>Ref. No.</b>	521382
<b>description</b>	washer D1 ø 6mm D2 ø 20mm thickness 1.5mm steam/water tap		

## screw connections



1

<b>Part No.</b>	526075	<b>Ref. No.</b>	521010
<b>description</b>	screw connection T1: M16x1 T2: 1/2" L 51.4mm brass		
<b>For models:</b>	Alexia, C		

## water taps

## knobs



1

<b>Part No.</b>	111142	<b>Ref. No.</b>	000602 + 000.511.40.7
<b>description</b>	knob water		

## steam/water pipes

## steam pipes




1

<b>Part No.</b>	526083	<b>Ref. No.</b>	800203.INOX
<b>description</b>	steam pipe H 180mm ø 14.5mm tube ø 10mm IT M8.5x0.75 stainless steel with plastic hose		
<b>For models:</b>	Alexia, C		



1

<b>Part No.</b>	525773	<b>Ref. No.</b>	800202
<b>description</b>	steam pipe thread 3/8" H 185mm L 235mm W 110mm ø 14.3mm tube ø 10mm stainless steel		
<b>spare parts for</b>	525773		
	<b>Part No.</b>	526083	<b>Ref. No.</b> 800203.INOX
	steam pipe H 180mm ø 14.5mm tube ø 10mm IT M8.5x0.75 stainless steel with plastic hose		

## nozzles for steam pipes



1

<b>Part No.</b>	526082	<b>Ref. No.</b>	800209.INOX
<b>description</b>	nozzle thread M8.5x0.75 ø 12.5mm L 16mm bore ø 1.55mm		
<b>For models:</b>	Alexia, C		

## water pipes



1

<b>Part No.</b>	529629	<b>Ref. No.</b>	800206
<b>description</b>	water pipe ø 15mm L 102mm tube ø 10mm suitable for AURORA		

## accessories

## union nuts



1

<b>Part No.</b>	528337	<b>Ref. No.</b>	000201
<b>description</b>	union nut thread 1/2" L 16mm hole ø 12.5mm brass		



1

<b>Part No.</b>	529706	<b>Ref. No.</b>	521111
<b>description</b>	union nut thread 3/8" L 21mm hole ø 12.5mm brass		
<b>For models:</b>	Alexia, C		

## fine filters


## holders





1


<b>Part No.</b>	528321	<b>Ref. No.</b>	000178
<b>description</b>	filter support D1 ø 13mm ID ø 5mm int. ø 1 11mm H 9mm brass		
<b>For models:</b>	Alexia, C		





fine filters			
1 			
<b>Part No.</b>	529911	<b>Ref. No.</b>	000179
<b>description</b>	fine filter flat ø 11mm H 0.25mm		
<b>For models:</b>	Alexia, C		


intake valves			
intake valves			
1 			
<b>Part No.</b>	525771	<b>Ref. No.</b>	800518
<b>description</b>	intake valve water connection 3/8"		





level glasses			
level glasses			
gaskets			
1 			
<b>Part No.</b>	529424	<b>Ref. No.</b>	000464
<b>description</b>	gasket D1 ø 18.5mm D2 ø 11mm H 13.5mm water level glass suitable for AURORA		
<b>For models:</b>	Alexia, C		

pressure rings			
1 			
<b>Part No.</b>	529409	<b>Ref. No.</b>	000506
<b>description</b>	press ring D1 ø 20mm D2 ø 18mm thickness 10mm		
<b>For models:</b>	Alexia, C		

level glass pipes			
1 			
<b>Part No.</b>	525766	<b>Ref. No.</b>	000319
<b>description</b>	water level tube ø 12mm H 155mm ID ø 8mm		
<b>For models:</b>	Alexia, C		

scales			
1 			
<b>Part No.</b>	526020	<b>Ref. No.</b>	000699
<b>description</b>	sticker L 119mm W 30mm Min/Max transparent		
<b>For models:</b>	Alexia, C		

non-return valves			
complete			
1 			
<b>Part No.</b>	526022	<b>Ref. No.</b>	800630
<b>description</b>	non-return valve T1: 3/8" T2: 3/8" T3: 1/8"		
<b>For models:</b>	Alexia		

knobs			
steam/water taps			
steam/water taps			
1 			
<b>Part No.</b>	111013	<b>Ref. No.</b>	000222
<b>description</b>	knob ø 51mm thread Tr18x2 black		
<b>For models:</b>	C		
<b>accessories for</b>	111013		
	<b>Part No.</b>	111008	<b>Ref. No.</b> 521225
knob dial plate water white			
	<b>Part No.</b>	111009	<b>Ref. No.</b> 521224
knob dial plate steam			
	<b>Part No.</b>	111277	<b>Ref. No.</b> 521223
nut for knob thread M24x1.5 ED ø 38mm H 21mm			





1

<b>Part No.</b>	111142	<b>Ref. No.</b>	000602 + 000.511.40.7
<b>description</b>	knob water		



1

<b>Part No.</b>	111278	<b>Ref. No.</b>	B-MC-0082
-----------------	--------	-----------------	-----------

**description** turning handle ø 48.5mm

**For models:** Alexia

**accessories for** 111278



<b>Part No.</b>	111279	<b>Ref. No.</b>	B-MC-0058
-----------------	--------	-----------------	-----------

knob spring ø 29mm L 5mm wire gauge ø 1.1mm



<b>Part No.</b>	551303	<b>Ref. No.</b>	—
-----------------	--------	-----------------	---

cotter pin ø 1.8mm L 17mm steel Qty 20 pcs

## knob dial plates



1

<b>Part No.</b>	111009	<b>Ref. No.</b>	521224
-----------------	--------	-----------------	--------

**description** knob dial plate steam

**For models:** C



1

<b>Part No.</b>	111008	<b>Ref. No.</b>	521225
-----------------	--------	-----------------	--------

**description** knob dial plate water white

**For models:** C

## accessories



1

<b>Part No.</b>	528762	<b>Ref. No.</b>	88 2211
-----------------	--------	-----------------	---------

**description** cotter pin ø 1.8mm L 17mm

**For models:** Alexia, C



1

<b>Part No.</b>	111142	<b>Ref. No.</b>	000602 + 000.511.40.7
-----------------	--------	-----------------	-----------------------

**description** knob water



1

<b>Part No.</b>	111277	<b>Ref. No.</b>	521223
-----------------	--------	-----------------	--------

**description** nut for knob thread M24x1.5 ED ø 38mm H 21mm

**For models:** C

## miscellaneous

1

<b>Part No.</b>		<b>Ref. No.</b>	N/A
-----------------	--	-----------------	-----

**description** knob water

## accessories

### miscellaneous



1

<b>Part No.</b>	111277	<b>Ref. No.</b>	521223
-----------------	--------	-----------------	--------

**description** nut for knob thread M24x1.5 ED ø 38mm H 21mm

**For models:** C

## handles and hand wheels

### lever handles



1

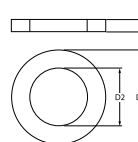
<b>Part No.</b>	111140	<b>Ref. No.</b>	N/A
-----------------	--------	-----------------	-----

**description** lever handle plastic black suitable for AURORA

## gaskets

### O-rings

#### EPDM



1

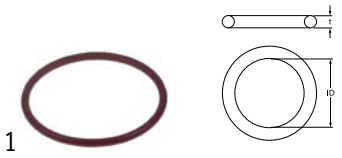
<b>Part No.</b>	528485	<b>Ref. No.</b>	521296
-----------------	--------	-----------------	--------

**description** O-ring EPDM thickness 1.78mm ID ø 6.07mm Qty 1 pcs

**For models:** Alexia, C



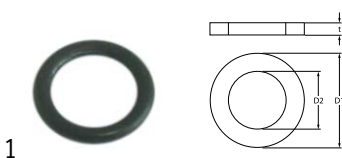
**silicone**



1

<b>Part No.</b>	532586	<b>Ref. No.</b>	000962
<b>description</b>	O-ring silicone thickness 2.62mm ID ø 40.95mm Qty 1 pcs		
<b>For models:</b>	Alexia, C		


**Viton**



1


<b>Part No.</b>	528291	<b>Ref. No.</b>	07.0610.15.80
<b>description</b>	O-ring Viton thickness 2.62mm ID ø 11.91mm Qty 1 pcs		
<b>For models:</b>	Alexia		

**NBR**




1

<b>Part No.</b>	532587	<b>Ref. No.</b>	07.0610.08.30 30.000.05.88
<b>description</b>	O-ring NBR thickness 1.78mm ID ø 8.73mm Qty 1 pcs		




1

<b>Part No.</b>	532585	<b>Ref. No.</b>	000205
<b>description</b>	O-ring NBR thickness 2.62mm ID ø 10.78mm Qty 1 pcs		



1

<b>Part No.</b>	532557	<b>Ref. No.</b>	521228
<b>description</b>	O-ring NBR thickness 2.62mm ID ø 12.37mm Qty 1 pcs		
<b>For models:</b>	Alexia, C		




1

<b>Part No.</b>	532556	<b>Ref. No.</b>	000215
<b>description</b>	O-ring NBR thickness 2.62mm ID ø 13.1mm Qty 1 pcs		
<b>For models:</b>	Alexia		

**sealing washers**

**copper gaskets**


DIN-7603-C



1


<b>Part No.</b>	510650	<b>Ref. No.</b>	000466
<b>description</b>	gasket copper ED ø 28mm ID ø 22mm thickness 3mm Qty 1 pcs		
<b>For models:</b>	Alexia, C		

**PTFE gaskets**



1

<b>Part No.</b>	528314	<b>Ref. No.</b>	521226
<b>description</b>	flat gasket PTFE ED ø 20mm ID ø 17mm thickness 2mm Qty 1 pcs suitable for Astoria/Azkoyen/Espressa/Wega		
<b>For models:</b>	Alexia, C		




1

<b>Part No.</b>	527970	<b>Ref. No.</b>	000049
<b>description</b>	flat gasket PTFE ED ø 24mm ID ø 18mm thickness 2mm Qty 1 pcs		
<b>For models:</b>	Alexia		

**springs**

**compression springs**



1

<b>Part No.</b>	528335	<b>Ref. No.</b>	000204
<b>description</b>	compression spring ø 10mm L 30mm wire gauge ø 1.6mm windings 7		




1


<b>Part No.</b>	525768	<b>Ref. No.</b>	000611
<b>description</b>	compression spring ø 21mm L 23mm wire gauge ø 2mm windings 3		
<b>For models:</b>	Alexia, C		





			
1			
<b>Part No.</b>	526077	<b>Ref. No.</b>	000361
<b>description</b>	compression spring ø 7mm L 26mm wire gauge ø 0.8mm for safety valve		
<b>For models:</b>	Alexia, C		


			
1			
<b>Part No.</b>	528319	<b>Ref. No.</b>	000180
<b>description</b>	compression spring ø 9.1mm L 15mm wire gauge ø 0.6mm windings 4.5		
<b>For models:</b>	Alexia, C		


## manometers


			
1			
<b>Part No.</b>	541233	<b>Ref. No.</b>	N/A
<b>description</b>	manometer double scale ø 60mm pressure range 0-2.5 / 0-15bar connection on the backside thread 1/8"		


			
1			
<b>Part No.</b>	541287	<b>Ref. No.</b>	N/A
<b>description</b>	manometer double scale ø 60mm pressure range 0-2.5 / 0-15bar connection on the backside thread 1/8"		

			
1			
<b>Part No.</b>	541222	<b>Ref. No.</b>	N/A
<b>description</b>	manometer double scale ø 60mm pressure range 0-2.5 / 0-16bar connection on the backside thread 1/8"		

			
1			
<b>Part No.</b>	541226	<b>Ref. No.</b>	N/A
<b>description</b>	manometer double scale ø 60mm pressure range 0-2.5 / 0-16bar connection on the backside thread 1/8"		

			
1			
<b>Part No.</b>	541227	<b>Ref. No.</b>	N/A
<b>description</b>	manometer double scale ø 60mm pressure range 0-2.5 / 0-16bar connection on the backside thread 1/8"		

			
1			
<b>Part No.</b>	541279	<b>Ref. No.</b>	407312
<b>description</b>	manometer double scale ø 63mm pressure range 0-2.5 / 0-25bar connection on the backside thread 1/8"		
<b>For models:</b>	Alexia		


			
1			
<b>Part No.</b>	541225	<b>Ref. No.</b>	N/A
<b>description</b>	manometer ø 51mm pressure range 0 up to 3bar thread 1/4" marking 2 connection on the backside		

## dosing pumps

### accessories

### hose couplings


### metal

			
1			
<b>Part No.</b>	361184	<b>Ref. No.</b>	521381
<b>description</b>	nut thread 1/2" H 6mm nickel-plated brass WS 24 Qty 1 pcs		
<b>For models:</b>	C		

## fastening material

### screws

### flat-headed bolts

			
1			
<b>Part No.</b>	560062	<b>Ref. No.</b>	02.2101.04.10
<b>description</b>	flat-headed bolt thread M4 thread L 10mm SS DIN 7985/ISO 7045 Qty 20 pcs intake Phillips head ø 8mm head thickness 2mm		



hexagonal screws



1

<b>Part No.</b>	560083	<b>Ref. No.</b>	02.2105.05.10
<b>description</b>	hexagonal screw thread M5 thread L 10mm SS WS 8 Qty 20 pcs DIN 933 / ISO 4017		
<b>For models:</b>	Alexia, C		

cylinder head bolts

DIN 912/ISO 4762



1

<b>Part No.</b>	560025	<b>Ref. No.</b>	02.2102.04.10
<b>description</b>	cylinder head bolt thread M4 thread L 10mm WS 3 SS Qty 20 pcs DIN 912/ISO 4762		
<b>For models:</b>	Alexia, C		

nuts

hexagonal nuts

hexagonal nuts inch thread



1

<b>Part No.</b>	361184	<b>Ref. No.</b>	521381
<b>description</b>	nut thread 1/2" H 6mm nickel-plated brass WS 24 Qty 1 pcs		
<b>For models:</b>	C		

fasteners

cotter pins



1

<b>Part No.</b>	528762	<b>Ref. No.</b>	88 2211
<b>description</b>	cotter pin ø 1.8mm L 17mm		
<b>For models:</b>	Alexia, C		

**GASTRO**PARTS.COM

