



**GASTROPARTS**

# Asskühl

- [EN]** Equipment
- [DE]** Geräte
- [ES]** Aparatos
- [FR]** Équipement
- [IT]** Attrezzature
- [PL]** Urządzenia
- [RU]** Оборудование

✉ [gastroparts@gastroparts.com](mailto:gastroparts@gastroparts.com)

☎ +48 56 657 00 66

📘 [fb.com/gastroparts.global](https://fb.com/gastroparts.global)

**GASTROPARTS.COM**





## switches and momentary switches

### rocker/momentary rocker switches

30x11mm



1

<b>Part No.</b>	345382	<b>Ref. No.</b>	0910000047
<b>description</b>	rocker switch mounting measurements 30x11mm green 1NO/indicator light 250V 16A 0-I connection male faston 6.3mm ambient temperature max. 85°C protection IP40		

### microswitches

#### lever actuated



1

<b>Part No.</b>	347683	<b>Ref. No.</b>	E100300010
<b>description</b>	microswitch with lever 250V 12A 1CO connection male faston 6.3mm L 46mm ambient temperature max. 85°C mounting distance 22mm type XGK15-88 actuating force: 25g lever length 32mm		

## electronic controllers

### EKTRON

#### refrigeration controllers

##### built-in version



1

<b>Part No.</b>	402020	<b>Ref. No.</b>	0910000248
<b>description</b>	electronic controller EKTRON type REK33-0020 mounting measurements 71x29mm 12V voltage AC/DC PTC relay outputs 3 NO-8A(4) NO-8A(4) NO-8A(4) PTC PTC built-in depth 71mm -50 up to +95°C display 3 digits		



1

<b>Part No.</b>	378118	<b>Ref. No.</b>	0910000267	
<b>description</b>	electronic controller EKTRON type REK33-1021 mounting measurements 71x29mm 230V voltage AC PTC relay outputs 3 NO-16A NO-8A(4) NO-8A(4) PTC PTC built-in depth 71mm -50 up to +95°C display 3½ digits			
<b>accessories for</b>	378118			
	<b>Part No.</b>	379052	<b>Ref. No.</b>	—
	temperature probe PTC 1kOhm cable silicone probe -50 up to +150°C cable -50 up to +180°C probe ø6x40mm cable length 1.5m without screw connection 2-wire			

## probes

### producer-specific probes

#### probes



1

<b>Part No.</b>	379818	<b>Ref. No.</b>	E200910000
<b>description</b>	temperature probe PTC 1kOhm cable PVC probe -50 up to +150°C cable -10 up to 100°C connection 3-wire thread probe ø6x40mm cable length 1.5m		

## fans

### refrigeration fans

#### refrigeration motors universal

##### IMPORT

##### multi fit fan motors



1

<b>Part No.</b>	601022	<b>Ref. No.</b>	0970000045
<b>description</b>	fan motor 10W 230V 50-60Hz L1 44mm L2 54mm L3 85mm W 84mm cable length 500mm 1300rpm YZF10-20-18/26 5 mounting options bearing slide bearing		

## locks

### locking devices

#### producer-specific

##### ASSKÜHL



1

<b>Part No.</b>	690461	<b>Ref. No.</b>	0910000029 0910000073
<b>description</b>	key cylinder straight thread M19x1 rotation 90° cam length 54mm cam width 16mm		

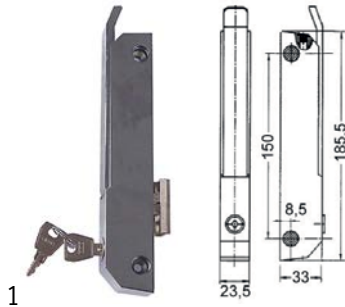


## edgemoount latches

## handle latches

## RAHRBACH

## 6188 ERGO series



<b>Part No.</b>	700548	<b>Ref. No.</b>	8200000023
-----------------	--------	-----------------	------------

**description** handle latch

**spare parts for** 700548



<b>Part No.</b>	690016	<b>Ref. No.</b>	—
handle latch L 185mm mounting distance 150mm chrome-plated lockable refrigeration units 6188			



<b>Part No.</b>	690110	<b>Ref. No.</b>	—
base plate H 1mm L 38mm W 11mm mounting distance 26mm plastic			



<b>Part No.</b>	690111	<b>Ref. No.</b>	—
base plate H 2mm L 38mm W 11mm mounting distance 26mm plastic			

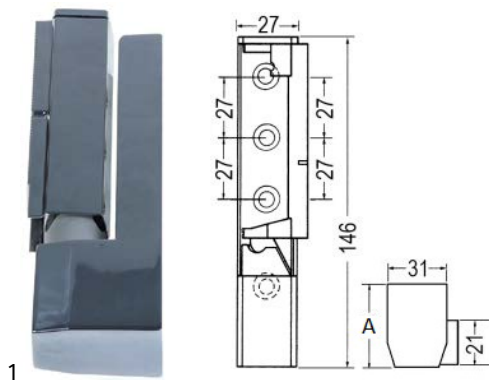


<b>Part No.</b>	700082	<b>Ref. No.</b>	—
door catch L 38mm W 18mm mounting distance 26mm			

## hinges

## edgemoount hinges

## CHG



<b>Part No.</b>	690296	<b>Ref. No.</b>	8100000009
-----------------	--------	-----------------	------------

**description** edgemoount hinge L 146mm W 31mm mounting distance 27/27mm hinging left/right with gradient L1 45mm series R50

**accessories for** 690296



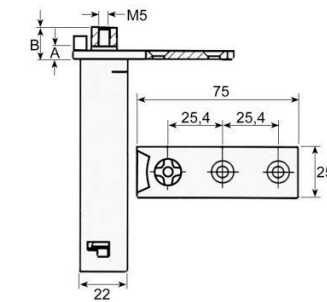
<b>Part No.</b>	345323	<b>Ref. No.</b>	—
microswitch with lever 250V 10A 1CO connection male faston ambient temperature max. 105°C			

## spring assisted hinges

## universal

## CAFF/FERMOD

## group 2



<b>Part No.</b>	690494	<b>Ref. No.</b>	FX95014601
-----------------	--------	-----------------	------------

**description** spring assisted hinge series 175 mounting pos. left/right torx L 75mm W 25.6mm H 100mm A 4mm B 11mm mounting measurements 22x22mm intake torx refrigeration units mounting distance 25mm

## producer-specific

## ASSKÜHL



<b>Part No.</b>	701128	<b>Ref. No.</b>	M300100020
-----------------	--------	-----------------	------------

**description** spring assisted hinge L 75mm W 25mm H 103mm A 5mm B 13mm shaft length 9mm refrigeration units mounting distance 25.4mm mounting measurements 22x22x100mm intake 7.5x7.5



EVERLASTING

1

<b>Part No.</b>	701128	<b>Ref. No.</b>	M300100020
<b>description</b>	spring assisted hinge L 75mm W 25mm H 103mm A 5mm B 13mm shaft length 9mm refrigeration units mounting distance 25.4mm mounting measurements 22x22x100mm intake 7.5x7.5		

1

<b>Part No.</b>	900886	<b>Ref. No.</b>	8500000037
<b>description</b>	refrigeration gasket profile 9048 W 670mm L 1680mm external size		

**gaskets**

refrigeration gaskets

plug-in gaskets

profile 9048

We offer custom-made gaskets for this profile

1

<b>Part No.</b>	900887	<b>Ref. No.</b>	09700000063
<b>description</b>	refrigeration gasket profile 9048 W 635mm L 1565mm plug size		

1

<b>Part No.</b>	900785	<b>Ref. No.</b>	09700000064
<b>description</b>	refrigeration gasket profile 9048 W 635mm L 735mm plug size		

1

<b>Part No.</b>	900885	<b>Ref. No.</b>	09700000005
<b>description</b>	refrigeration gasket profile 9048 W 660mm L 1570mm plug size		

profile 9046

We offer custom-made gaskets for this profile

1

<b>Part No.</b>	902257	<b>Ref. No.</b>	N/A
<b>description</b>	refrigeration gasket profile 9046 Wmm L 2500mm		

profile 9773

We offer custom-made gaskets for this profile

1

<b>Part No.</b>	900335	<b>Ref. No.</b>	09100000086
<b>description</b>	refrigeration gasket profile 9773 W 690mm L 1550mm external size W1 677mm L1 1537mm plug size		

profile 9753

We offer custom-made gaskets for this profile

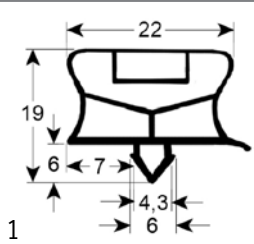
1

<b>Part No.</b>	901416	<b>Ref. No.</b>	09100000300
<b>description</b>	refrigeration gasket profile 9753 W 651mm L 1651mm plug size		



profile 9794

We offer custom-made gaskets for this profile

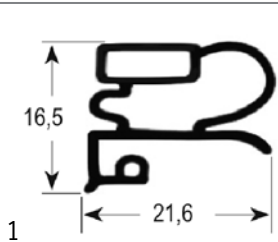


<b>Part No.</b>	901517	<b>Ref. No.</b>	G010071000
<b>description</b>	refrigeration gasket profile 9794 W 633mm L 1544mm plug size		

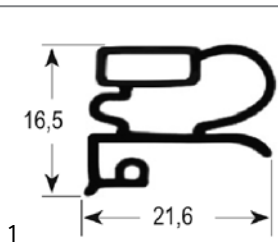
screw-in gaskets

profile 9030

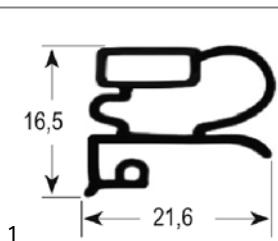
We offer custom-made gaskets for this profile



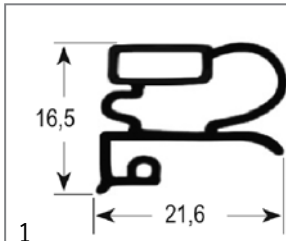
<b>Part No.</b>	900339	<b>Ref. No.</b>	0910000223
<b>description</b>	refrigeration gasket profile 9030 W 180mm L 420mm external size drawer for refrigerated counter refrigeration size 2/5		



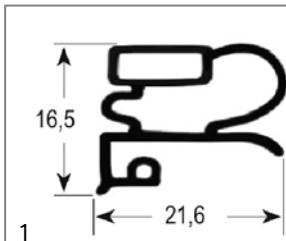
<b>Part No.</b>	900338	<b>Ref. No.</b>	0910000225
<b>description</b>	refrigeration gasket profile 9030 W 195mm L 420mm external size drawer for refrigerated counter refrigeration size 1/3		



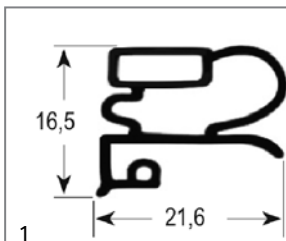
<b>Part No.</b>	900337	<b>Ref. No.</b>	0910000221
<b>description</b>	refrigeration gasket profile 9030 W 300mm L 420mm external size drawer for refrigerated counter refrigeration size 1/2		



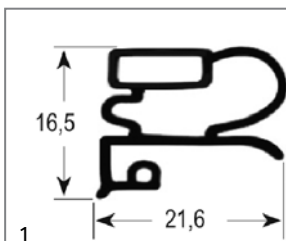
<b>Part No.</b>	900002	<b>Ref. No.</b>	0910000002
<b>description</b>	refrigeration gasket profile 9030 W 310mm L 390mm external size drawer for refrigerated counter refrigeration size 1/2		



<b>Part No.</b>	900331	<b>Ref. No.</b>	0910000045
<b>description</b>	refrigeration gasket profile 9030 W 420mm L 535mm external size		



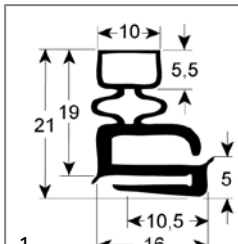
<b>Part No.</b>	900336	<b>Ref. No.</b>	0910000220
<b>description</b>	refrigeration gasket profile 9030 W 420mm L 630mm external size door for refrigerated counter refrigeration size 1/1		



<b>Part No.</b>	900342	<b>Ref. No.</b>	0910000226
<b>description</b>	refrigeration gasket profile 9030 W 629mm L 630mm external size door for refrigerated counter refrigeration size 2/1		

profile 9100

We offer custom-made gaskets for this profile



<b>Part No.</b>	902348	<b>Ref. No.</b>	N/A
<b>description</b>	refrigeration gasket profile 9100 Wmm L 1600mm		



## evaporators

for fridges

producer-specific



1

<b>Part No.</b>	750123	<b>Ref. No.</b>	0910000124
<b>description</b>	evaporator L 380mm W 110mm H 150mm total length 400mm aluminium		

## springs

tension springs



1

<b>Part No.</b>	700523	<b>Ref. No.</b>	957610
<b>description</b>	tension spring ø 18.3mm total length 116mm wire gauge ø 1.3mm		

**GASTRO**PARTS.COM

